



US00D811030S

(12) **United States Design Patent**
Jang et al.

(10) **Patent No.:** **US D811,030 S**
(45) **Date of Patent:** **** Feb. 20, 2018**

- (54) **VACUUM CLEANER**
- (71) Applicant: **Samsung Electronics Co., Ltd.**,
Suwon-si (KR)
- (72) Inventors: **Jaе-Ho Jang**, Seoul (KR); **Jaе-Jin Lee**,
Goyang-si (KR); **Hyоung-Sub Choi**,
Goyang-si (KR)
- (73) Assignee: **SAMSUNG ELECTRONICS CO.,**
LTD., Suwon-si (KR)
- (**) Term: **15 Years**
- (21) Appl. No.: **29/556,687**
- (22) Filed: **Mar. 2, 2016**
- (30) **Foreign Application Priority Data**
Sep. 2, 2015 (KR) 30-2015-0044357
- (51) **LOC (11) Cl.** **15-05**
- (52) **U.S. Cl.**
USPC **D32/31**
- (58) **Field of Classification Search**
USPC D32/17-18, 21-22, 31, 34
CPC A47L 5/24; A47L 5/28; A47L 5/34; A47L
5/362; A47L 5/36; A47L 11/34; A47L
9/325; A47L 9/20; A47L 9/02; A47L
9/32; A47L 9/322; A47L 9/327; A47L
7/0038
See application file for complete search history.

D582,111 S *	12/2008	Ågren	D32/22
D615,717 S *	5/2010	Butts	D32/22
D680,286 S *	4/2013	Gray	D32/22
D743,124 S *	11/2015	Gray	D32/22
D759,920 S *	6/2016	Gray	D32/31
D767,222 S *	9/2016	Houghton	D32/31

FOREIGN PATENT DOCUMENTS

CN	302842858 S	6/2014
EM	001986001-0001	2/2012
EM	000631007-0002	1/2014
KR	300774948	12/2014

* cited by examiner

Primary Examiner — Ruth McInroy

(74) *Attorney, Agent, or Firm* — McAndrews Held & Malloy, Ltd.

(57) **CLAIM**

The ornamental design for a vacuum cleaner, as shown and described.

DESCRIPTION

FIG. 1 is a front perspective view of a vacuum cleaner showing our new design;
 FIG. 2 is a front elevation view thereof;
 FIG. 3 is a rear elevation view thereof;
 FIG. 4 is a left-side elevation view thereof;
 FIG. 5 is a right-side elevation view thereof;
 FIG. 6 is a top plan view thereof;
 FIG. 7 is a bottom plan view thereof;
 FIG. 8 is an exploded bottom perspective view thereof showing additional unclaimed environment; and,
 FIG. 9 an enlarged front perspective view of the portion encircled in FIG. 1.
 The dot-dot-dash lines which encircle portions of the design and the broken lines which illustrate unclaimed portions of the vacuum cleaner form no part of the claimed design.

1 Claim, 6 Drawing Sheets

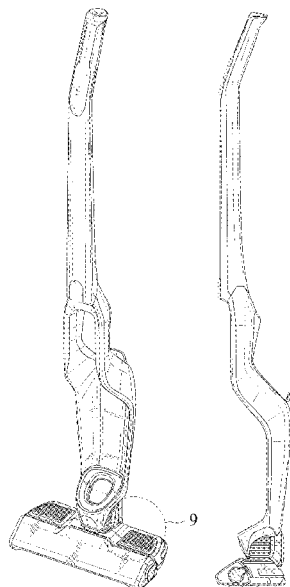


FIG. 1

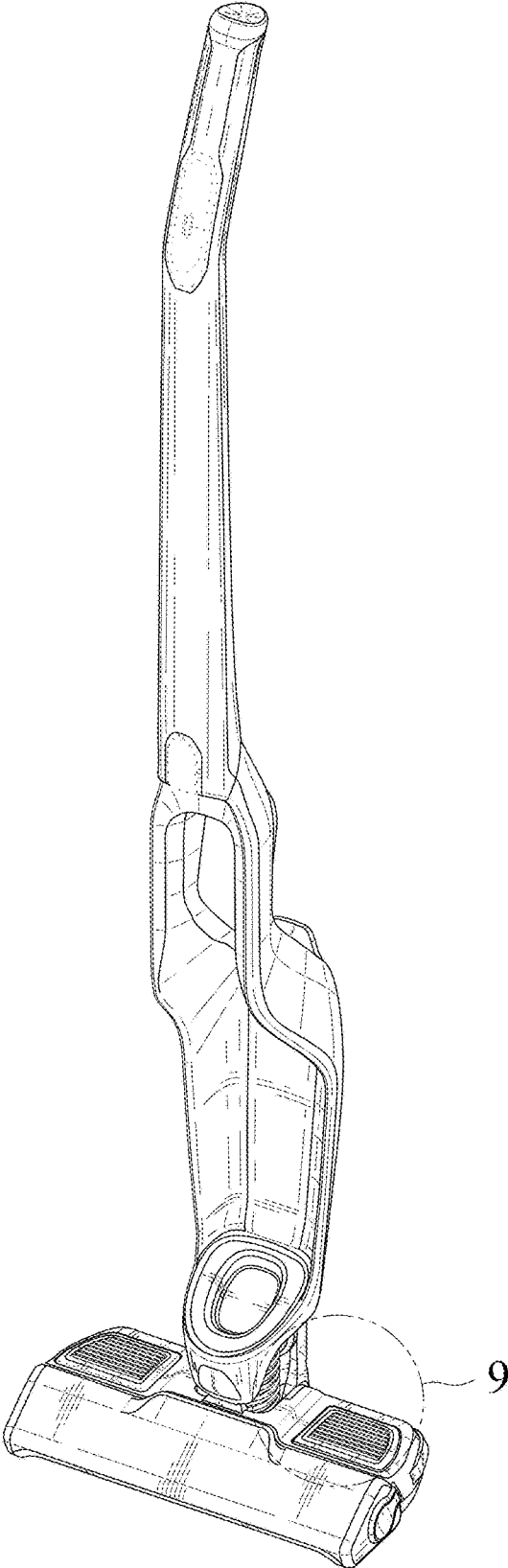


FIG. 2

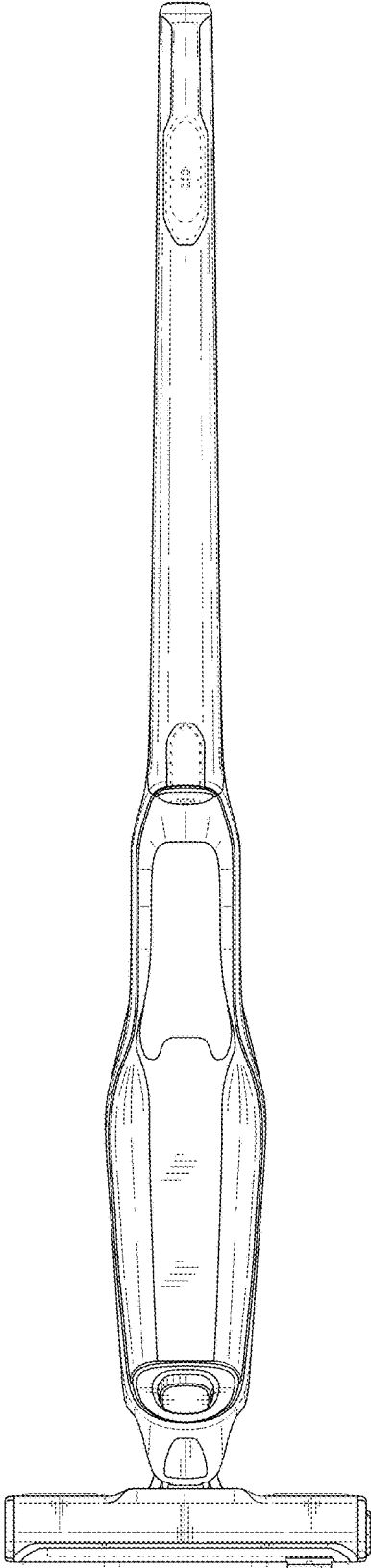


FIG. 3

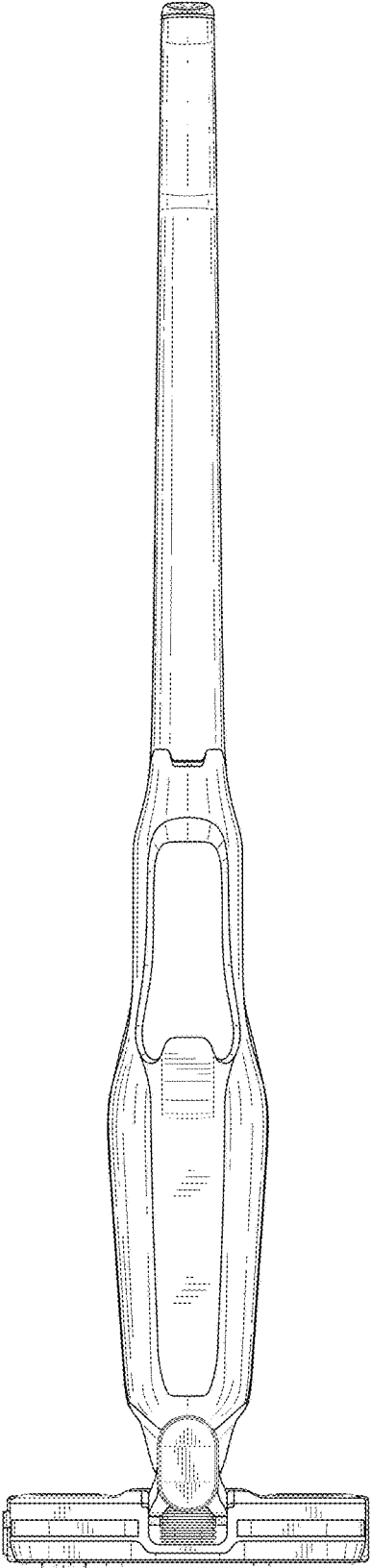


FIG. 4

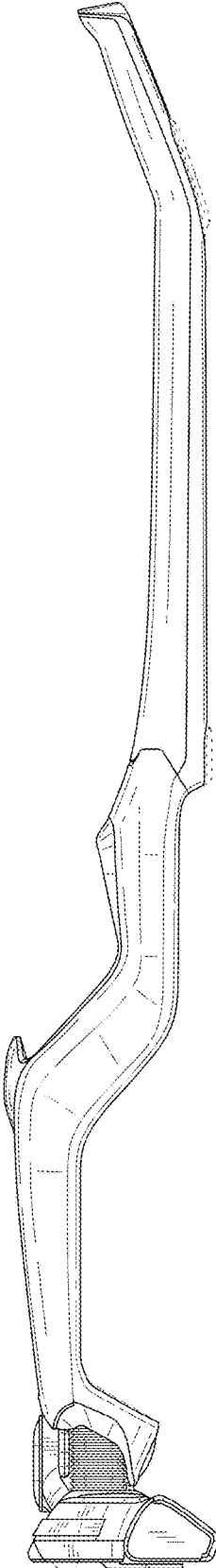


FIG. 5

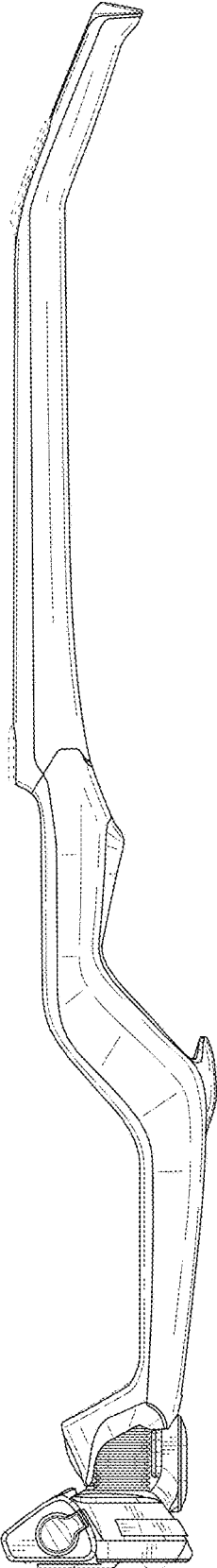


FIG. 6

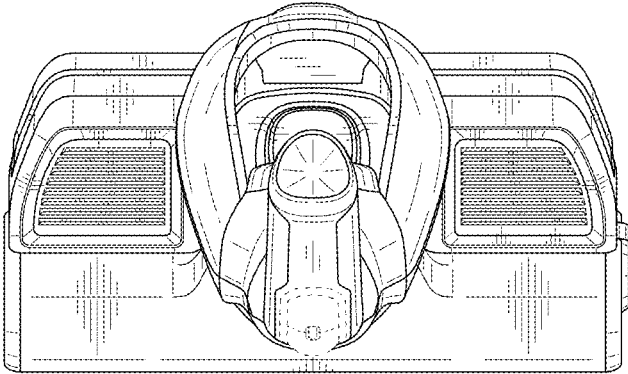


FIG. 7

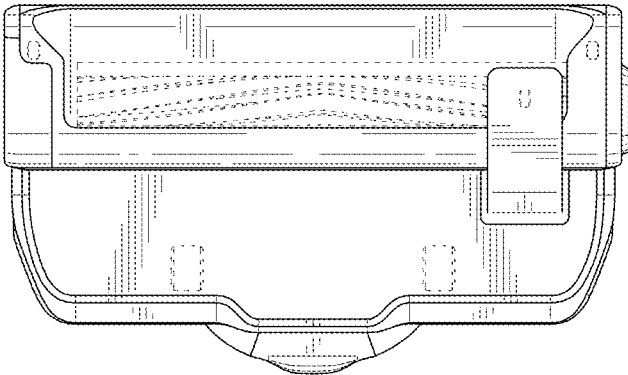


FIG. 8

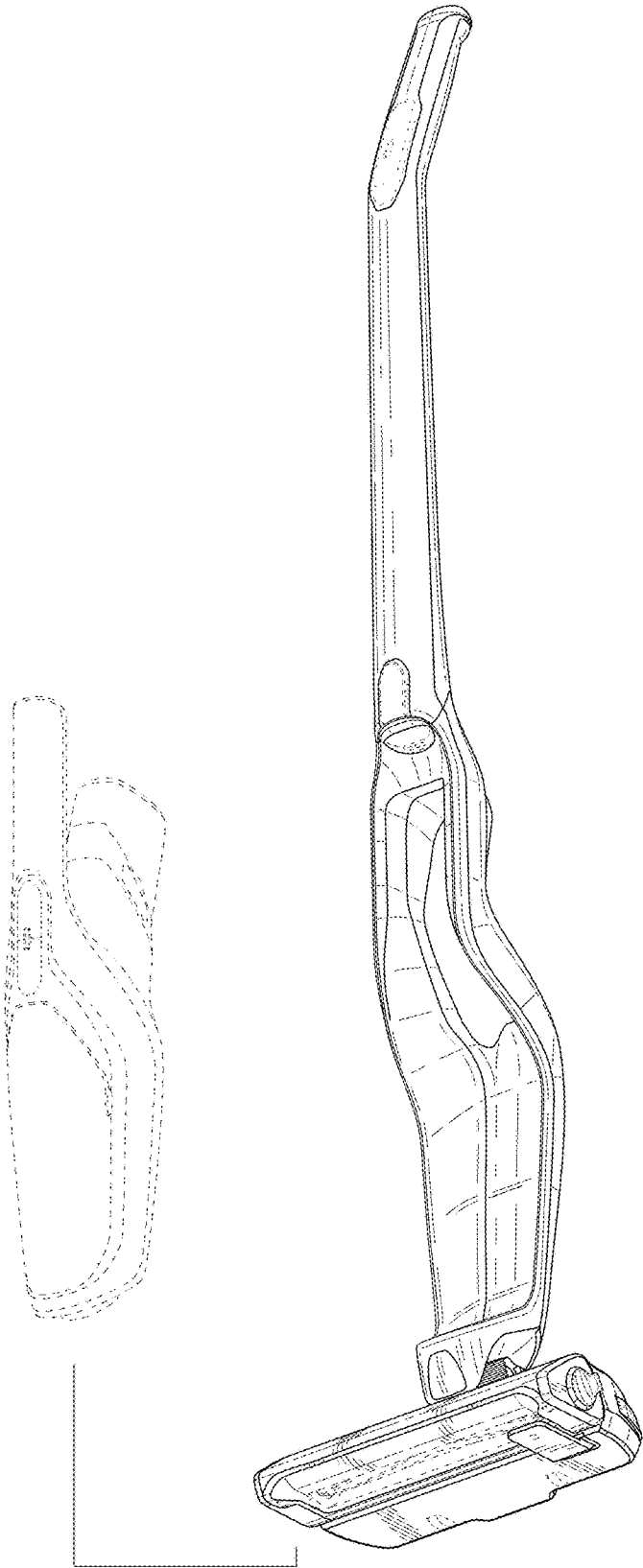


FIG. 9

