



(22) Date de dépôt/Filing Date: 2001/04/24
 (41) Mise à la disp. pub./Open to Public Insp.: 2001/11/01
 (62) Demande originale/Original Application: 2 407 022
 (30) Priorités/Priorities: 2000/04/24 (US60/199,215);
 2000/04/24 (US60/199,213); 2000/04/24 (US60/199,214)

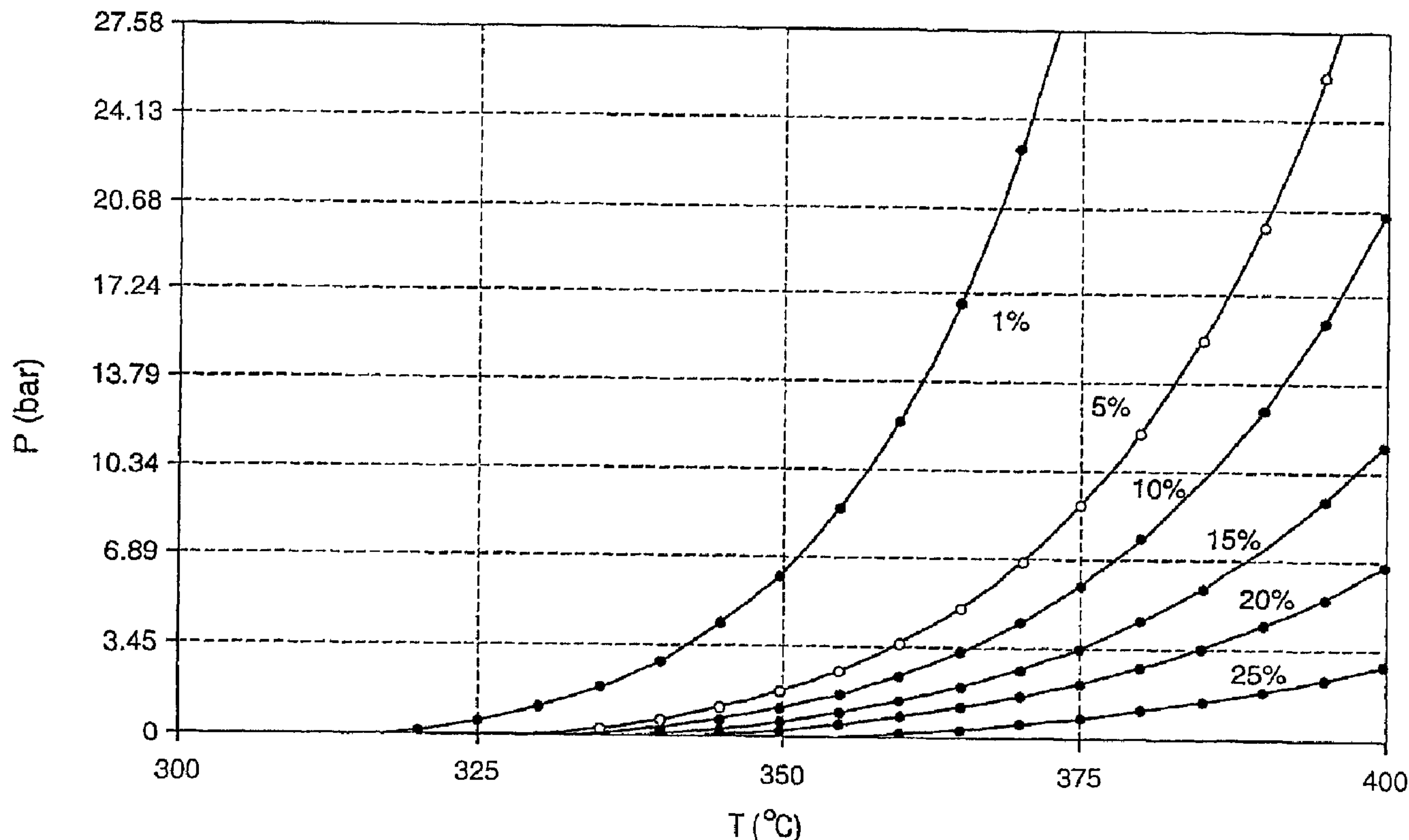
(51) Cl.Int./Int.Cl. *E21B 43/24* (2006.01),
C10L 1/04 (2006.01), *E21B 43/243* (2006.01)

(71) Demandeur/Applicant:
 SHELL CANADA LIMITED, CA

(72) Inventeurs/Inventors:
 BERCHENKO, ILYA EMIL, US;
 CARL, FRED GORDON, US;
 COLES, JOHN MATTHEW, US;
 DE ROUFFIGNAC, ERIC PIERRE, US;
 FOWLER, THOMAS DAVID, US;
 KARANIKAS, JOHN MICHAEL, US;

(74) Agent: SMART & BIGGAR

(54) Titre : RECUPERATION IN SITU A PARTIR D'UNE FORMATION CONTENANT DES HYDROCARBURES
 (54) Title: IN SITU RECOVERY FROM A HYDROCARBON CONTAINING FORMATION



(57) Abrégé/Abstract:

A method is disclosed for treating a hydrocarbon containing formation in situ and producing a hydrocarbon fluid from the formation, which method comprises pyrolysing hydrocarbons present in the formation during the production of the hydrocarbon fluid from the formation with the application of a pressure/temperature control such that the pressure is at least the pressure which can be calculated for a selected temperature, or the temperature is at most the temperature which can be calculated for a selected pressure from the equation (I) wherein P is pressure (bar absolute), T is temperature (°C), and A and B are predetermined

(72) **Inventeurs(suite)/Inventors(continued)**: KEEDY, CHARLIE ROBERT, US; MADGAVKAR, AJAY MADHAV, US; MAHER, KEVIN ALBERT, US; MENOTTI, JAMES LOUIS, US; RYAN, ROBERT CHARLES, US; SCHOELING, LANNY, US; SHAHIN, GORDON THOMAS, US; STEGEMEIER, GEORGE LEO, US; VAN HARDEVELD, ROBERT MARTIJN, NL; VINEGAR, HAROLD J., US; WELLINGTON, SCOTT LEE, US; ZHANG, ETUAN, US; WARD, JOHN MICHAEL, US; HUNSUCKER, BRUCE GERARD, US; SUMNU-DINDORUK, MELIHA DENIZ, US; BIELAMOWICZ, LAWRENCE JAMES, US; BAXLEY, PHILLIP TEMMONS, US

(57) **Abrégé(suite)/Abstract(continued)**:

parameters which relate to a property which is relevant to the quantity, the composition or the quality of the hydrocarbon fluids produced. Optionally, the method is followed by the step of in-situ producing synthesis gas, which step comprises providing a partly depleted hydrocarbon containing formation which is treated according to the said method for treating a hydrocarbon containing formation in-situ, and reacting the hydrocarbon containing formation with a synthesis gas generating fluid. Optionally the synthesis gas so produced is converted into hydrocarbons; and/or energy is generated by expanding and/or combusting the synthesis gas so produced or using the synthesis gas so produced in a fuel cell.

63293-3908H

ABSTRACT

A method is disclosed for treating a hydrocarbon containing formation in situ and producing a hydrocarbon fluid from the formation, which method comprises pyrolysing hydrocarbons present in the formation during the production of the hydrocarbon fluid from the formation with the application of a pressure/temperature control such that the pressure is at least the pressure which can be calculated for a selected temperature, or the temperature is at most the temperature which can be calculated for a selected pressure from the equation (I) wherein P is pressure (bar absolute), T is temperature (°C), and A and B are predetermined parameters which relate to a property which is relevant to the quantity, the composition or the quality of the hydrocarbon fluids produced. Optionally, the method is followed by the step of in-situ producing synthesis gas, which step comprises providing a partly depleted hydrocarbon containing formation which is treated according to the said method for treating a hydrocarbon containing formation in-situ, and reacting the hydrocarbon containing formation with a synthesis gas generating fluid. Optionally the synthesis gas so produced is converted into hydrocarbons; and/or energy is generated by expanding and/or combusting the synthesis gas so produced or using the synthesis gas so produced in a fuel cell.

63293-3908H

TITLE: IN SITU RECOVERY FROM A HYDROCARBON CONTAINING FORMATION

This application is a divisional application of Canadian Patent Application Serial No. 2,407,022 filed April 24, 2001.

BACKGROUND OF THE INVENTION5 1. Field of the Invention

The present invention relates generally to methods and systems for production of hydrocarbons, hydrogen, and/or other products from various hydrocarbon containing formations. Certain embodiments relate to in situ conversion of hydrocarbons to produce hydrocarbons, hydrogen, and/or novel product streams from underground hydrocarbon containing formations.

10

2. Description of Related Art

15

Hydrocarbons obtained from subterranean (e.g., sedimentary) formations are often used as energy resources, as feedstocks, and as consumer products. Concerns over depletion of available hydrocarbon resources have led to development of processes for more efficient recovery, processing and/or use of available hydrocarbon resources. In situ processes may be used to remove hydrocarbon materials from subterranean formations. Chemical and/or physical properties of hydrocarbon material within a subterranean formation may need to be changed to allow hydrocarbon material to be more easily removed from the subterranean formation. The chemical and physical changes may include in situ reactions that produce removable fluids, composition changes, solubility changes, phase changes, and/or viscosity changes of the hydrocarbon material within the formation. A fluid may be, but is not limited to, a gas, a liquid, an emulsion, a slurry and/or a stream of solid particles that has flow characteristics similar to liquid flow.

20

Examples of in situ processes utilizing downhole heaters are illustrated in U.S. Patent Nos. 2,634,961 to Ljungstrom, 2,732,195 to Ljungstrom, 2,780,450 to Ljungstrom, 2,789,805 to Ljungstrom, 2,923,535 issued to Ljungstrom. and 4,886,118 to Van Meurs et al.

25

Application of heat to oil shale formations is described in U.S. Patent Nos. 2,923,535 to Ljungstrom and 4,886,118 to Van Meurs et al. Heat may be applied to the oil shale formation to pyrolyze kerogen within the oil shale formation. The heat may also fracture the formation to increase permeability of the formation. The increased permeability may allow formation fluid to travel to a production well where the fluid is removed from the oil shale formation. In some processes disclosed by Ljungstrom, for example, an oxygen containing gaseous medium is introduced to a permeable stratum, preferably while still hot from a preheating step, to initiate combustion.

30

A heat source may be used to heat a subterranean formation. Electrical heaters may be used to heat the subterranean formation by radiation and/or conduction. An electrical heater may resistively heat an element. U.S. Patent No. 2,548,360 to Germain describes an electrical heating element placed within a viscous oil within a wellbore. The heater element heats and thins the oil to allow the oil to be pumped from the wellbore. U.S. Patent No. 4,716,960 to Eastlund et al. describes electrically heating tubing of a petroleum well by passing a relatively low voltage current through the tubing to prevent formation of solids. U.S. Patent No. 5,065,818 to Van Egmond describes an electrical heating element that is cemented into a well borehole without a casing surrounding the heating element.

35

63293-3908(S)

U.S. Patent No. 6,023,554 to Vinegar et al. describes an electrical heating element that is positioned within a casing. The heating element generates radiant energy that heats the casing. A granular solid fill material may be placed between the casing and the formation. The casing may conductively heat the fill material, which in turn conductively heats the formation.

U.S. Patent No. 4,570,715 to Van Meurs et al. describes an electrical heating element. The heating element has an electrically conductive core, a surrounding layer of insulating material, and a surrounding metallic sheath. The conductive core may have a relatively low resistance at high temperatures. The insulating material may have electrical resistance, compressive strength and heat conductivity properties that are relatively high at high temperatures. The insulating layer may inhibit arcing from the core to the metallic sheath. The metallic sheath may have tensile strength and creep resistance properties that are relatively high at high temperatures.

U.S. Patent No. 5,060,287 to Van Egmond describes an electrical heating element having a copper-nickel alloy core.

Combustion of a fuel may be used to heat a formation. Combusting a fuel to heat a formation may be more economical than using electricity to heat a formation. Several different types of heaters may use fuel combustion as a heat source that heats a formation. The combustion may take place in the formation, in a well and/or near the surface. Combustion in the formation may be a fireflood. An oxidizer may be pumped into the formation. The oxidizer may be ignited to advance a fire front towards a production well. Oxidizer pumped into the formation may flow through the formation along fracture lines in the formation. Ignition of the oxidizer may not result in the fire front flowing uniformly through the formation.

A flameless combustor may be used to combust a fuel within a well. U.S. Patent Nos. 5,255,742 to Mikus, 5,404,952 to Vinegar et al., 5,862,858 to Wellington et al., and 5,899,269 to Wellington et al. describe flameless combustors. Flameless combustion may be accomplished by preheating a fuel and combustion air to a temperature above an auto-ignition temperature of the mixture. The fuel and combustion air may be mixed in a heating zone to combust. In the heating zone of the flameless combustor, a catalytic surface may be provided to lower the auto-ignition temperature of the fuel and air mixture.

Heat may be supplied to a formation from a surface heater. The surface heater may produce combustion gases that are circulated through wellbores to heat the formation. Alternately, a surface burner may be used to heat a heat transfer fluid that is passed through a wellbore to heat the formation. Examples of fired heaters, or surface burners that may be used to heat a subterranean formation, are illustrated in U.S. Patent Nos. 6,056,057 to Vinegar et al. and 6,079,499 to Mikus et al.

Coal is often mined and used as a fuel within an electricity generating power plant. Most coal that is used as a fuel to generate electricity is mined. A significant number of coal containing formations are, however, not suitable for economical mining. For example, mining coal from steeply dipping coal seams, from relatively thin coal seams (e.g., less than about 1 meter thick), and/or from deep coal seams may not be economically feasible. Deep coal seams include coal seams that are at, or extend to, depths of greater than about 3000 feet (about 914 m) below surface level. The energy conversion efficiency of burning coal to generate electricity is relatively low, as compared to fuels such as natural gas. Also, burning coal to generate electricity often generates significant amounts of carbon dioxide, oxides of sulfur, and oxides of nitrogen that are released into the atmosphere.

63293-3908(S)

Synthesis gas may be produced in reactors or in situ within a subterranean formation. Synthesis gas may be produced within a reactor by partially oxidizing methane with oxygen. In situ production of synthesis gas may be economically desirable to avoid the expense of building, operating, and maintaining a surface synthesis gas production facility. U.S. Patent No. 4,250,230 to Terry describes a system for in situ gasification of coal. A
 5 subterranean coal seam is burned from a first well towards a production well. Methane, hydrocarbons, H₂, CO, and other fluids may be removed from the formation through the production well. The H₂ and CO may be separated from the remaining fluid. The H₂ and CO may be sent to fuel cells to generate electricity.

U.S. Patent No. 4,057,293 to Garrett discloses a process for producing synthesis gas. A portion of a rubble pile is burned to heat the rubble pile to a temperature that generates liquid and gaseous hydrocarbons by
 10 pyrolysis. After pyrolysis, the rubble is further heated, and steam or steam and air are introduced to the rubble pile to generate synthesis gas.

U.S. Patent No. 5,554,453 to Steinfeld et al. describes an ex situ coal gasifier that supplies fuel gas to a fuel cell. The fuel cell produces electricity. A catalytic burner is used to burn exhaust gas from the fuel cell with an oxidant gas to generate heat in the gasifier.

Carbon dioxide may be produced from combustion of fuel and from many chemical processes. Carbon dioxide may be used for various purposes, such as, but not limited to, a feed stream for a dry ice production facility, supercritical fluid in a low temperature supercritical fluid process, a flooding agent for coal bed demethanation, and a flooding agent for enhanced oil recovery. Although some carbon dioxide is productively
 20 used, many tons of carbon dioxide are vented to the atmosphere.

Retorting processes for oil shale may be generally divided into two major types: aboveground (surface) and underground (in situ). Aboveground retorting of oil shale typically involves mining and construction of metal vessels capable of withstanding high temperatures. The quality of oil produced from such retorting may typically be poor, thereby requiring costly upgrading. Aboveground retorting may also adversely affect environmental and
 25 water resources due to mining, transporting, processing and/or disposing of the retorted material. Many U.S. patents have been issued relating to aboveground retorting of oil shale. Currently available aboveground retorting processes include, for example, direct, indirect, and/or combination heating methods.

In situ retorting typically involves retorting oil shale without removing the oil shale from the ground by mining. "Modified" in situ processes typically require some mining to develop underground retort chambers. An
 30 example of a "modified" in situ process includes a method developed by Occidental Petroleum that involves mining approximately 20 % of the oil shale in a formation, explosively rubbleizing the remainder of the oil shale to fill up the mined out area, and combusting the oil shale by gravity stable combustion in which combustion is initiated from the top of the retort. Other examples of "modified" in situ processes include the "Rubble In Situ Extraction" ("RISE") method developed by the Lawrence Livermore Laboratory ("LLL") and radio-frequency
 35 methods developed by IIT Research Institute ("IITRF") and LLL, which involve tunneling and mining drifts to install an array of radio-frequency antennas in an oil shale formation.

Obtaining permeability within an oil shale formation (e.g., between injection and production wells) tends to be difficult because oil shale is often substantially impermeable. Many methods have attempted to link injection and production wells, including: hydraulic fracturing such as methods investigated by Dow Chemical
 40 and Laramie Energy Research Center; electrical fracturing (e.g., by methods investigated by Laramie Energy Research Center); acid leaching of limestone cavities (e.g., by methods investigated by Dow Chemical); steam

63293-3908(S)

injection into permeable nahcolite zones to dissolve the nahcolite (e.g., by methods investigated by Shell Oil and Equity Oil); fracturing with chemical explosives (e.g., by methods investigated by Talley Energy Systems); fracturing with nuclear explosives (e.g., by methods investigated by Project Bronco); and combinations of these methods. Many of such methods, however, have relatively high operating costs and lack sufficient injection capacity.

An example of an in situ retorting process is illustrated in U.S. Patent No. 3,241,611 to Dougan, assigned to Equity Oil Company. For example, Dougan discloses a method involving the use of natural gas for conveying kerogen-decomposing heat to the formation. The heated natural gas may be used as a solvent for thermally decomposed kerogen. The heated natural gas exercises a solvent-stripping action with respect to the oil shale by penetrating pores that exist in the shale. The natural gas carrier fluid, accompanied by decomposition product vapors and gases, passes upwardly through extraction wells into product recovery lines, and into and through condensers interposed in such lines, where the decomposition vapors condense, leaving the natural gas carrier fluid to flow through a heater and into an injection well drilled into the deposit of oil shale.

Large deposits of heavy hydrocarbons (e.g., heavy oil and/or tar) contained within relatively permeable formations (e.g., in tar sands) are found in North America, South America, and Asia. Tar can be surface-mined and upgraded to lighter hydrocarbons such as crude oil, naphtha, kerosene, and/or gas oil. Tar sand deposits may, for example, first be mined. Surface milling processes may further separate the bitumen from sand. The separated bitumen may be converted to light hydrocarbons using conventional refinery methods. Mining and upgrading tar sand is usually substantially more expensive than producing lighter hydrocarbons from conventional oil reservoirs.

U.S. Patent Nos. 5,340,467 to Gregoli et al. and 5,316,467 to Gregoli et al. describe adding water and a chemical additive to tar sand to form a slurry. The slurry may be separated into hydrocarbons and water.

U.S. Patent No. 4,409,090 to Hanson et al. describes physically-separating tar sand into a bitumen-rich concentrate that may have some remaining sand. The bitumen-rich concentrate may be further separated from sand in a fluidized bed.

U.S. Patent Nos. 5,985,138 to Humphreys and 5,968,349 to Duyvesteyn et al. describe mining tar sand and physically separating bitumen from the tar sand. Further processing of bitumen in surface facilities may upgrade oil produced from bitumen.

In situ production of hydrocarbons from tar sand may be accomplished by heating and/or injecting a gas into the formation. U.S. Patent Nos. 5,211,230 to Ostapovich et al. and 5,339,897 to Leaute describe a horizontal production well located in an oil-bearing reservoir. A vertical conduit may be used to inject an oxidant gas into the reservoir for in situ combustion.

U.S. Patent No. 2,780,450 to Ljungstrom describes heating bituminous geological formations in situ to convert or crack a liquid tar-like substance into oils and gases.

U.S. Patent No. 4,597,441 to Ware et al. describes contacting oil, heat, and hydrogen simultaneously in a reservoir. Hydrogenation may enhance recovery of oil from the reservoir.

63293-3908(S)

U.S. Patent No. 5,046,559 to Glandt and 5,060,726 to Glandt et al. describe preheating a portion of a tar sand formation between an injector well and a producer well. Steam may be injected from the injector well into the formation to produce hydrocarbons at the producer well.

5 Substantial reserves of heavy hydrocarbons are known to exist in formations that have relatively low permeability. For example, billions of barrels of oil reserves are known to exist in diatomaceous formations in California. Several methods have been proposed and/or used for producing heavy hydrocarbons from relatively low permeability formations.

U.S. Patent No. 5,415,231 to Northrop et al. describes a method for recovering
10 hydrocarbons (e.g. oil) from a low permeability subterranean reservoir of the type comprised primarily of diatomite. A first slug or volume of a heated fluid (e.g. 60% quality steam) is injected into the reservoir at a pressure greater than the fracturing pressure of the reservoir. The well is then shut in and the reservoir is allowed to soak for a prescribed period (e.g. 10 days or more) to allow the oil to be displaced by the steam into the fractures. The well is then produced until the production rate drops below an
15 economical level. A second slug of steam is then injected and the cycles are repeated.

U.S. Patent No. 4,530,401 to Hartman et al. describes a method for the recovery of viscous oil from a subterranean, viscous oil-containing formation by injecting steam into the formation.

U.S. Patent No. 5,339,897 to Leaute et al. describes a method and apparatus for recovering and/or
20 upgrading hydrocarbons utilizing in situ combustion and horizontal wells.

U.S. Patent No. 5,431,224 to Laali describes a method for improving hydrocarbon flow from low permeability tight reservoir rock.

U.S. Patent Nos. 5,297,626 Vinegar et al. and 5,392,854 to Vinegar et al. describe a process wherein
25 an oil containing subterranean formation is heated.

As outlined above, there has been a significant amount of effort to develop methods and systems to economically produce hydrocarbons, hydrogen, and/or other products from hydrocarbon containing formations. At present, however, there are still many hydrocarbon containing formations from which hydrocarbons, hydrogen,
30 and/or other products cannot be economically produced. Thus, there is still a need for improved methods and systems for production of hydrocarbons, hydrogen, and/or other products from various hydrocarbon containing formations.

SUMMARY OF THE INVENTION

35 In an embodiment, hydrocarbons within a hydrocarbon containing formation (e.g., a formation containing coal, oil shale, heavy hydrocarbons, or a combination thereof) may be converted in situ within the formation to yield a mixture of relatively high quality hydrocarbon products, hydrogen, and other products. One or more heat sources may be used to heat a portion of the hydrocarbon containing formation to temperatures that allow pyrolysis of the hydrocarbons. Hydrocarbons, hydrogen, and other formation fluids may be removed from
40 the formation through one or more production wells. The formation fluids may be removed in a vapor phase.

63293-3908(S)

Temperature and pressure in at least a portion of the formation may be controlled during pyrolysis to yield improved products from the formation.

A heated formation may also be used to produce synthesis gas. In certain embodiments synthesis gas is produced after production of pyrolysis fluids.

5 A formation may be heated to a temperature greater than 400 °C prior to contacting a synthesis gas generating fluid with the formation. Contacting a synthesis gas generating fluid, such as water, steam, and/or carbon dioxide, with carbon and/or hydrocarbons within the formation results in generation of synthesis gas if the temperature of the carbon is sufficiently high. Synthesis gas generation is, in some embodiments, an endothermic process. Additional heat may be added to the formation during synthesis gas generation to maintain a high
10 temperature within the formation. The heat may be added from heater wells and/or from oxidizing carbon and/or hydrocarbons within the formation. The generated synthesis gas may be removed from the formation through one or more production wells.

After production of pyrolysis fluids and/or synthesis gas, fluid may be sequestered within the formation. To store a significant amount of fluid within the formation, a temperature of the formation will often need to be
15 less than about 100 °C. Water may be introduced into at least a portion of the formation to generate steam and reduce a temperature of the formation. The steam may be removed from the formation. The steam may be utilized for various purposes, including, but not limited to, heating another portion of the formation, generating synthesis gas in an adjacent portion of the formation, generating electricity, and/or as a steam flood in a oil reservoir. After the formation is cooled, fluid (e.g., carbon dioxide) may be pressurized and sequestered in the
20 formation. Sequestering fluid within the formation may result in a significant reduction or elimination of fluid that is released to the environment due to operation of the in situ conversion process.

In an embodiment, one or more heat sources may be installed into a formation to heat the formation. Heat sources may be installed by drilling openings (well bores) into the formation. In some embodiments openings may be formed in the formation using a drill with a steerable motor and an accelerometer. Alternatively,
25 an opening may be formed into the formation by geosteered drilling. Alternately, an opening may be formed into the formation by sonic drilling.

One or more heat sources may be disposed within the opening such that the heat source may be configured to transfer heat to the formation. For example, a heat source may be placed in an open wellbore in the formation. In this manner, heat may conductively and radiatively transfer from the heat source to the formation.
30 Alternatively, a heat source may be placed within a heater well that may be packed with gravel, sand, and/or cement. The cement may be a refractory cement.

63293-3908(S)

Thus, according to an embodiment, there is provided a method of treating a hydrocarbon containing formation in situ, comprising: providing heat from one or more heaters to at least a portion of the formation; allowing the heat to transfer from at least the portion to a part of the formation substantially by conduction of heat; 5 pyrolyzing at least some hydrocarbons within the part of the formation; controlling a pressure within the part of the formation, wherein the controlled pressure is at or above a selected value; and producing a mixture from the formation.

According to an embodiment of the invention, there is provided a method of treating a hydrocarbon containing formation in situ, comprising: 10 providing heat from one or more heaters to at least a portion of the formation; allowing the heat to transfer from at least the portion to a selected section of the formation substantially by conduction of heat; pyrolyzing at least some hydrocarbons within the selected section of the formation; controlling a pressure within the selected section of the formation, wherein the controlled pressure is at 15 or above a selected value; and producing a mixture from the formation.

According to an embodiment of the invention, there is provided a method of treating a hydrocarbon containing formation in situ, comprising: providing heat from one or more heaters to at least a portion of the formation, wherein the one or more heaters comprise at least two heaters; allowing the heat to transfer from at 20 least the portion to a part of the formation substantially by conduction of heat; pyrolyzing at least some hydrocarbons within the part of the formation, wherein controlled superposition of heat from at least the two heaters pyrolyzes at least some hydrocarbons within the part of the formation; controlling a pressure within at least a majority of the part of the formation, wherein the controlled pressure is at or 25 about a selected value; and producing a mixture from the formation.

In some embodiments one or more heat sources may be placed in a pattern within the formation. For example, in one embodiment, an in situ conversion process for hydrocarbons may include heating at least a portion of a hydrocarbon containing formation with an array of heat sources disposed within the formation. In 30 some embodiments, the array of heat sources can be positioned substantially equidistant from a production well. Certain patterns (e.g., triangular arrays,

63293-3908(S)

hexagonal arrays, or other array patterns) may be more desirable for specific applications. In addition, the array of heat sources may be disposed such that a distance between each heat source may be less than about 70 feet (21 m). In addition, the in situ conversion process for hydrocarbons may include heating at
5 least a portion of the formation with heat sources disposed substantially parallel to a boundary of the hydrocarbons. Regardless of the arrangement of or distance between the heat sources, in certain embodiments, a ratio of heat sources to production wells disposed within a formation may be greater than about 5, 8, 10, 20, or more.

10 Thus, according to an embodiment, there is provided a method of treating a hydrocarbon containing formation in situ, comprising: providing heat from heaters to a portion of the formation, wherein three of the heaters are located in the formation in a triangular unit, and wherein a plurality of triangular units are repeated over an area of the formation to form a repetitive pattern of units; and
15 producing fluid from production wells, wherein a ratio of heaters to production wells is greater than approximately 5.

According to an embodiment of the invention, there is provided a method of treating a hydrocarbon containing formation in situ, comprising: providing heat from heaters to a portion of the formation, wherein three of the
20 heaters are located in the formation in a triangular unit, wherein a plurality of triangular units are repeated over an area of the formation to form a repetitive pattern of units; introducing fluid into the formation through injection wells, wherein the injection wells are arranged in the formation in a pattern of triangular units; producing fluid from production wells, wherein the production wells are arranged in
25 the formation in a pattern of triangular units; and wherein a spacing between production wells of a triangular unit of production wells is different than a spacing between injection wells of a triangular unit of injection wells.

According to an embodiment of the invention, there is provided a method of treating a hydrocarbon containing formation in situ, comprising:
30 providing heat from heaters to a portion of the formation, wherein three of the heaters are located in the formation in a triangular unit, and wherein a plurality of

63293-3908(S)

triangular units are repeated over an area of the formation to form a repetitive pattern of units; and wherein at least one of the heaters comprises a natural distributed combustor.

Certain embodiments may also include allowing heat to transfer from one or more of the heat sources to a selected section of the heated portion. In an embodiment, the selected section may be disposed between one or more heat sources. For example, the in situ conversion process may also include allowing heat to transfer from one or more heat sources to a selected section of the formation such that heat from one or more of the heat sources pyrolyzes at least some hydrocarbons within the selected section. In this manner, the in situ conversion process may include heating at least a portion of a hydrocarbon containing formation above a pyrolyzation temperature of hydrocarbons in the formation. For example, a pyrolyzation temperature may include a temperature of at least about 270°C. Heat may be allowed to transfer from one or more of the heat sources to the selected section substantially by conduction.

One or more heat sources may be located within the formation such that superposition of heat produced from one or more heat sources may occur. Superposition of heat may increase a temperature of the selected section to a temperature sufficient for pyrolysis of at least some of the hydrocarbons within the selected section. Superposition of heat may vary depending on, for example, a spacing between heat sources. The spacing between heat sources may be selected to optimize heating of the section selected for treatment. Therefore, hydrocarbons may be pyrolyzed within a larger area of the portion. In this manner, spacing between heat sources may be selected to increase the effectiveness of the heat sources, thereby increasing the economic viability of a selected in situ conversion process for hydrocarbons. Superposition of heat tends to increase the uniformity of heat distribution in the section of the formation selected for treatment.

According to an embodiment of the invention, there is provided a method of treating a hydrocarbon containing permeable formation in situ, comprising: providing heat from one or more heat sources to at least one portion

63293-3908(S)

of the permeable formation; allowing the heat to transfer from the one or more heat sources to a selected mobilization section of the permeable formation such that the heat from the one or more heat sources can mobilize at least some of the hydrocarbons in the selected mobilization section of the permeable formation;

5 controlling the heat from the one or more heat sources such that an average temperature in at least a majority of the selected mobilization section of the permeable formation is less than about 150°C; allowing the heat to transfer from the one or more heat sources to a selected pyrolyzation section of the permeable formation such that the heat from the one or more heat sources can pyrolyze at

10 least some of the hydrocarbons in the selected pyrolyzation section of the permeable formation; controlling the heat from the one or more heat sources such that an average temperature in at least a majority of the selected pyrolyzation section of the permeable formation is less than about 375°C; and producing a mixture from the permeable formation.

15 According to an embodiment of the invention, there is provided a method of treating a hydrocarbon containing permeable formation in situ, comprising: providing heat from one or more heat sources to at least one portion of the permeable formation; allowing the heat to transfer from the one or more heat sources to a selected mobilization section of the permeable formation such

20 that the heat from the one or more heat sources can mobilize at least some of the hydrocarbons in the selected mobilization section of the permeable formation; controlling the heat from the one or more heat sources such that an average temperature in at least a majority of the selected mobilization section of the permeable formation is less than about 150°C; allowing the heat to transfer from

25 the one or more heat sources to a selected pyrolyzation section of the permeable formation such that the heat from the one or more heat sources can pyrolyze at least some of the hydrocarbons in the selected pyrolyzation section of the permeable formation; controlling the heat from the one or more heat sources such that an average temperature in at least a majority of the selected pyrolyzation

30 section of the permeable formation is less than about 375°C; allowing at least some of the mobilized hydrocarbons to flow from the selected mobilization section of the permeable formation to the selected pyrolyzation section of the permeable formation; and producing a mixture from the permeable formation.

63293-3908(S)

According to an embodiment of the invention, there is provided a method of treating a hydrocarbon containing permeable formation in situ, comprising: providing heat from one or more heat sources to at least one portion of the permeable formation; allowing the heat to transfer from the one or more heat sources to a selected mobilization section of the permeable formation such that the heat from the one or more heat sources can mobilize at least some of the hydrocarbons in the selected mobilization section of the permeable formation; controlling the heat from the one or more heat sources such that an average temperature in at least a majority of the selected mobilization section of the permeable formation is less than about 150°C; allowing the heat to transfer from the one or more heat sources to a selected pyrolyzation section of the permeable formation such that the heat from the one or more heat sources can pyrolyze at least some of the hydrocarbons in the selected pyrolyzation section of the permeable formation; controlling the heat from the one or more heat sources such that an average temperature in at least a majority of the selected pyrolyzation section of the permeable formation is less than about 375°C; allowing at least some of the mobilized hydrocarbons to flow from the selected mobilization section of the permeable formation to the selected pyrolyzation section of the permeable formation; providing a gas to the permeable formation, wherein the gas is configured to increase a flow of the mobilized hydrocarbons from the selected mobilization section of the permeable formation to the selected pyrolyzation section of the permeable formation; and producing a mixture from the permeable formation.

According to an embodiment of the invention, there is provided a method of treating a hydrocarbon containing permeable formation in situ, comprising: providing heat from one or more heat sources to at least one portion of the permeable formation; allowing the heat to transfer from the one or more heat sources to a selected mobilization section of the permeable formation such that the heat from the one or more heat sources can mobilize at least some of the hydrocarbons in the selected mobilization section of the permeable formation; controlling the heat from the one or more heat sources such that an average temperature in at least a majority of the selected mobilization section of the permeable formation is less than about 150°C; allowing the heat to transfer from

63293-3908(S)

the one or more heat sources to a selected pyrolyzation section of the permeable formation such that the heat from the one or more heat sources can pyrolyze at least some of the hydrocarbons in the selected pyrolyzation section of the permeable formation; controlling the heat from the one or more heat sources such that an average temperature in at least a majority of the selected pyrolyzation section of the permeable formation is less than about 375°C; allowing at least some of the mobilized hydrocarbons to flow from the selected mobilization section of the permeable formation to the selected pyrolyzation section of the permeable formation; providing a gas to the permeable formation, wherein the gas is configured to increase a flow of the mobilized hydrocarbons from the selected mobilization section of the permeable formation to the selected pyrolyzation section of the permeable formation; controlling a pressure of the provided gas such that the flow of the mobilized hydrocarbons is controlled; and producing a mixture from the permeable formation.

According to an embodiment of the invention, there is provided a method of treating a hydrocarbon containing permeable formation in situ, comprising: providing heat from one or more heat sources to at least one portion of the permeable formation; allowing the heat to transfer from the one or more heat sources to a selected mobilization section of the permeable formation such that the heat from the one or more heat sources can mobilize at least some of the hydrocarbons in the selected mobilization section of the permeable formation; controlling the heat from the one or more heat sources such that an average temperature in at least a majority of the selected mobilization section of the permeable formation is less than about 150°C; allowing the heat to transfer from the one or more heat sources to a selected pyrolyzation section of the permeable formation such that the heat from the one or more heat sources can pyrolyze at least some of the hydrocarbons in the selected pyrolyzation section of the permeable formation; controlling the heat from the one or more heat sources such that an average temperature in at least a majority of the selected pyrolyzation section of the permeable formation is less than about 375°C; and producing a mixture from the permeable formation in a production well, wherein the production well is disposed substantially horizontally in the permeable formation.

63293-3908(S)

Various systems and methods may be used to provide heat sources. In an embodiment, a natural distributed combustor system and method may be configured to heat at least a portion of a hydrocarbon containing formation. The system and method may first include heating a first portion of the formation to a temperature sufficient to support oxidation of at least some of the hydrocarbons therein. One or more conduits may be disposed within one or more openings. One or more of the conduits may be configured to provide an oxidizing fluid from an oxidizing fluid source into an opening in the formation. The oxidizing fluid may oxidize at least a portion of the hydrocarbons at a reaction zone within the formation. Oxidation may generate heat at the reaction zone. The generated heat may transfer from the reaction zone to a pyrolysis zone in the formation. The heat may transfer by conduction, radiation, and/or convection. In this manner, a heated portion of the formation may include the reaction zone and the pyrolysis zone. The heated portion may also be located substantially adjacent to the opening. One or more of the conduits may also be configured to remove one or more oxidation products from the reaction zone and/or formation. Alternatively, additional conduits may be configured to remove one or more oxidation products from the reaction zone and/or formation.

In an embodiment, a system and method configured to heat a hydrocarbon containing formation may include one or more insulated conductors disposed in one or more openings in the formation. The openings may be uncased. Alternatively, the openings may include a casing. As such, the insulated conductors may provide conductive, radiant, or convective heat to at least a portion of the formation. In addition, the system and method may be configured to allow heat to transfer from the insulated conductor to a section of the formation. In some embodiments, the insulated conductor may include a copper-nickel alloy. In some embodiments, the insulated conductor may be electrically coupled to two additional insulated conductors in a 3-phase Y configuration.

According to an embodiment of the invention, there is provided a system configured to heat a hydrocarbon containing formation, comprising: a first conduit placed in an opening in the formation, wherein the first conduit is enclosed such that fluids in the opening do not enter the first conduit; a first conductor placed

63293-3908(S)

in the first conduit and electrically coupled to the first conduit, wherein the first conductor and the first conduit are separated by a gap that allows for the presence of a gas between the first conductor and the first conduit; a centralizer placed in the first conduit, the centralizer configured to maintain a location of the first conductor in the first conduit; wherein the first conductor is configured to provide heat to at least a portion of the formation during use; and wherein the system is configured to allow heat to transfer from the first conductor to a part of the formation during use.

According to an embodiment of the invention, there is provided a system for heating a hydrocarbon containing formation, comprising: a first conduit placed in an opening in the formation; a first conductor placed in the first conduit and electrically coupled to the first conduit, wherein the first conductor and the first conduit are separated by a gap that allows for the presence of a gas between the first conductor and the first conduit; wherein the first conductor provides heat to at least a portion of the formation during use; wherein the system allows heat to transfer from the first conductor to a part of the formation during use; and wherein the system provides heat to pyrolyze at least some hydrocarbons in the part of the formation.

According to an embodiment of the invention, there is provided a system for heating a hydrocarbon containing formation, comprising: a first conduit placed in an uncased opening in the formation; a first conductor placed in the first conduit and electrically coupled to the first conduit, wherein the first conductor and the first conduit are separated by a gap that allows for the presence of a gas between the first conductor and the first conduit; wherein the first conductor is resistively heated to heat the first conduit to a temperature between about 480°C and about 840°C during use; and wherein the first conduit is configurable to provide heat to at least a portion of the formation to pyrolyze hydrocarbons in the formation during use.

WO 01/81239

PCT/US01/13452

In an embodiment, a system and method may include one or more elongated members disposed in an opening in the formation. Each of the elongated members may be configured to provide heat to at least a portion of the formation. One or more conduits may be disposed in the opening. One or more of the conduits may be configured to provide an oxidizing fluid from an oxidizing fluid source into the opening. In certain embodiments, the oxidizing fluid may be configured to substantially inhibit carbon deposition on or proximate to the elongated member.

In an embodiment, a system and method for heating a hydrocarbon containing formation may include oxidizing a fuel fluid in a heater. The method may further include providing at least a portion of the oxidized fuel fluid into a conduit disposed in an opening in the formation. In addition, additional heat may be transferred from an electric heater disposed in the opening to the section of the formation. Heat may be allowed to transfer substantially uniformly along a length of the opening.

Energy input costs may be reduced in some embodiments of systems and methods described above. For example, an energy input cost may be reduced by heating a portion of a hydrocarbon containing formation by oxidation in combination with heating the portion of the formation by an electric heater. The electric heater may be turned down and/or off when the oxidation reaction begins to provide sufficient heat to the formation. In this manner, electrical energy costs associated with heating at least a portion of a formation with an electric heater may be reduced. Thus, a more economical process may be provided for heating a hydrocarbon containing formation in comparison to heating by a conventional method. In addition, the oxidation reaction may be propagated slowly through a greater portion of the formation such that fewer heat sources may be required to heat such a greater portion in comparison to heating by a conventional method.

Certain embodiments as described herein may provide a lower cost system and method for heating a hydrocarbon containing formation. For example, certain embodiments may provide substantially uniform heat transfer along a length of a heater. Such a length of a heater may be greater than about 300 m or possibly greater than about 600 m. In addition, in certain embodiments, heat may be provided to the formation more efficiently by radiation. Furthermore, certain embodiments of systems as described herein may have a substantially longer lifetime than presently available systems.

In an embodiment, an in situ conversion system and method for hydrocarbons may include maintaining a portion of the formation in a substantially unheated condition. In this manner, the portion may provide structural strength to the formation and/or confinement/isolation to certain regions of the formation. A processed hydrocarbon containing formation may have alternating heated and substantially unheated portions arranged in a pattern that may, in some embodiments, resemble a checkerboard pattern, or a pattern of alternating areas (e.g., strips) of heated and unheated portions.

In an embodiment, a heat source may advantageously heat only along a selected portion or selected portions of a length of the heater. For example, a formation may include several hydrocarbon containing layers. One or more of the hydrocarbon containing layers may be separated by layers containing little or no hydrocarbons. A heat source may include several discrete high heating zones that may be separated by low heating zones. The high heating zones may be disposed proximate hydrocarbon containing layers such that the layers may be heated. The low heating zones may be disposed proximate to layers containing little or no hydrocarbons such that the layers may not be substantially heated. For example, an electrical heater may include one or more low resistance heater sections and one or more high resistance heater sections. In this manner, low resistance heater sections of the electrical heater may be disposed in and/or proximate to layers containing little or

WO 01/81239

PCT/US01/13452

no hydrocarbons. In addition, high resistance heater sections of the electrical heater may be disposed proximate hydrocarbon containing layers. In an additional example, a fueled heater (e.g., surface burner) may include insulated sections. In this manner, insulated sections of the fueled heater may be placed proximate to or adjacent to layers containing little or no hydrocarbons. Alternately, a heater with distributed air and/or fuel may be configured such that little or no fuel may be combusted proximate to or adjacent to layers containing little or no hydrocarbons. Such a fueled heater may include flameless combustors and natural distributed combustors.

In an embodiment, a heating rate of the formation may be slowly raised through the pyrolysis temperature range. For example, an in situ conversion process for hydrocarbons may include heating at least a portion of a hydrocarbon containing formation to raise an average temperature of the portion above about 270 °C by a rate less than a selected amount (e.g., about 10 °C, 5 °C, 3 °C, 1 °C, 0.5 °C, or 0.1 °C) per day. In a further embodiment, the portion may be heated such that an average temperature of the selected section may be less than about 375 °C or, in some embodiments, less than about 400 °C.

In an embodiment, a temperature of the portion may be monitored through a test well disposed in a formation. For example, the test well may be positioned in a formation between a first heat source and a second heat source. Certain systems and methods may include controlling the heat from the first heat source and/or the second heat source to raise the monitored temperature at the test well at a rate of less than about a selected amount per day. In addition or alternatively, a temperature of the portion may be monitored at a production well. In this manner, an in situ conversion process for hydrocarbons may include controlling the heat from the first heat source and/or the second heat source to raise the monitored temperature at the production well at a rate of less than a selected amount per day.

Certain embodiments may include heating a selected volume of a hydrocarbon containing formation. Heat may be provided to the selected volume by providing power to one or more heat sources. Power may be defined as heating energy per day provided to the selected volume. A power (P_{wr}) required to generate a heating rate (h , in units of, for example, °C/day) in a selected volume (V) of a hydrocarbon containing formation may be determined by the following equation: $P_{wr} = h * V * C_v * \rho_B$. In this equation, an average heat capacity of the formation (C_v) and an average bulk density of the formation (ρ_B) may be estimated or determined using one or more samples taken from the hydrocarbon containing formation.

Certain embodiments may include raising and maintaining a pressure in a hydrocarbon containing formation. Pressure may be, for example, controlled within a range of about 2 bars absolute to about 20 bars absolute. For example, the process may include controlling a pressure within a majority of a selected section of a heated portion of the formation. The controlled pressure may be above about 2 bars absolute during pyrolysis. In an alternate embodiment, an in situ conversion process for hydrocarbons may include raising and maintaining the pressure in the formation within a range of about 20 bars absolute to about 36 bars absolute.

In an embodiment, compositions and properties of formation fluids produced by an in situ conversion process for hydrocarbons may vary depending on, for example, conditions within a hydrocarbon containing formation.

Certain embodiments may include controlling the heat provided to at least a portion of the formation such that production of less desirable products in the portion may be substantially inhibited. Controlling the heat provided to at least a portion of the formation may also increase the uniformity of permeability within the formation. For example, controlling the heating of the formation to inhibit production of less desirable products

63293-3908(S)

may, in some embodiments, include controlling the heating rate to less than a selected amount (e.g., 10°C, 5°C, 3°C, 1°C, 0.5°C, or 0.1°C) per day.

Controlling pressure, heat and/or heating rates of a selected section in a formation may increase production of selected formation fluids. For example, the amount and/or rate of heating may be controlled to produce formation fluids having an American Petroleum Institute ("API") gravity greater than about 25. Heat and/or pressure may be controlled to inhibit production of olefins in the produced fluids.

According to one embodiment of the invention, there is provided a method of treating a hydrocarbon containing formation in situ, comprising: providing heat from one or more heaters to at least a portion of the formation; allowing the heat to transfer from the one or more heaters to a part of the formation; maintaining a pressure of the part of the formation above atmospheric pressure to increase a partial pressure of hydrogen (H₂), as compared to the partial pressure of H₂ at atmospheric pressure, in at least a majority of the part of the formation; and producing a mixture from the formation, wherein the produced mixture comprises condensable hydrocarbons having an API gravity of at least about 25°.

Controlling formation conditions to control the pressure of hydrogen in the produced fluid may result in improved qualities of the produced fluids. In some embodiments it may be desirable to control formation conditions so that the partial pressure of hydrogen in a produced fluid is greater than about 0.5 bar absolute, as measured at a production well.

According to an embodiment of the invention, there is provided a method of treating a hydrocarbon containing formation in situ, comprising: providing heat from one or more heaters to at least a portion of the formation; allowing the heat to transfer from the one or more heaters to a selected section of the formation; maintaining a pressure of the selected section of the formation above atmospheric pressure to increase a partial pressure of hydrogen (H₂), as compared to the partial pressure of H₁ at atmospheric pressure, in at least a majority of the selected section of the formation; controlling formation conditions by recirculating a portion of the H₂ from the mixture into the formation; and

63293-3908(S)

producing a mixture from the formation, wherein the produced mixture comprises condensable hydrocarbons having an API gravity of at least about 25°.

According to an embodiment of the invention, there is provided a method of treating a hydrocarbon containing formation in situ, comprising:

- 5 providing heat from one or more heaters to at least a portion of the formation; allowing the heat to transfer from the one or more heaters to a part of the formation; maintaining a pressure of the part of the formation above atmospheric pressure to increase a partial pressure of hydrogen (H₂), as compared to the partial pressure of H₂ at atmospheric pressure, in at least a majority of the part of
10 the formation; controlling formation conditions by recirculating a portion of the H₂ from the mixture into the formation; and producing a mixture from the formation, wherein the produced mixture comprises condensable hydrocarbons having an API gravity of at least about 25°.

- According to an embodiment of the invention, there is provided a
15 method of treating a hydrocarbon containing formation in situ, comprising: providing heat from one or more heaters to at least a portion of the formation, thereby establishing a pyrolysis zone within the formation; allowing the heat to transfer from the one or more heaters to the pyrolysis zone; maintaining a pressure of the part of the formation above atmospheric pressure to increase a
20 partial pressure of hydrogen (H₂), as compared to the partial pressure of H₂ at atmospheric pressure, in at least a majority of the pyrolysis zone; and producing a mixture from the formation, wherein the produced mixture comprises condensable hydrocarbons having an API gravity of at least about 25°.

- According to an embodiment of the invention, there is provided a
25 method of treating a hydrocarbon containing formation in situ, comprising: providing heat from one or more heaters to at least a portion of the formation, thereby establishing a pyrolysis zone within the formation; allowing the heat to transfer from the one or more heaters to the pyrolysis zone; maintaining a pressure of the part of the formation above atmospheric pressure to increase a
30 partial pressure of hydrogen (H₂), as compared to the partial pressure of H₂ at atmospheric pressure, in at least a majority of the pyrolysis zone; controlling

63293-3908(S)

formation conditions by recirculating a portion of the H₂ from the mixture into the formation; and producing a mixture from the formation, wherein the produced mixture comprises condensable hydrocarbons having an API gravity of at least about 25°.

5 In an embodiment, operating conditions may be determined by measuring at least one property of the formation. At least the measured properties may be input into a computer executable program. At least one property of formation fluids selected to be produced from the formation may also be input into the computer executable program. The program may be operable to determine a
10 set of operating conditions from at least the one or more measured properties. The program may also be configured to determine the set of operating conditions from at least one property of the selected formation fluids. In this manner, the determined set of operating conditions may be configured to increase production of selected formation fluids from the formation.

15 Thus, according to an embodiment of the invention, there is provided a method for treating a hydrocarbon containing formation in situ and producing a hydrocarbon fluid from the formation, which method comprises pyrolysing hydrocarbons present in the formation during the production of the hydrocarbon fluid from the formation with the application of a pressure/temperature control;
20 wherein the pressure is at least the pressure which is calculated for a selected temperature, or the temperature is at most the temperature which is calculated for a selected pressure from the equation:

$$P = 0.07 * e^{\frac{-A}{T + 273}} + B$$

wherein P is pressure, bar absolute, T is temperature, °C, and A and B are
25 predetermined parameters, and wherein the value of A is in the range of from 5,000 up to 60,000, B is from 10 up to 90, and P is at most 72 bar absolute to control a property which is relevant to the quantity, the composition, the quality or both of the hydrocarbon fluids produced, and wherein a heat source is applied,
which is configured for heating the hydrocarbon formation substantially by
30 conductive heating.

63293-3908(S)

Thus, according to an embodiment of the invention, there is provided a method for treating a hydrocarbon containing formation in situ and producing a hydrocarbon fluid from the formation, which method comprises pyrolysing hydrocarbons present in the formation during the production of the hydrocarbon fluid from the formation with the application of a pressure/temperature control, wherein the pressure is at least the pressure which is calculated for a selected temperature, or the temperature is at most the temperature which is calculated for a selected pressure from the equation:

$$P = 0.07 * e^{\frac{-A}{T + 273}} + B$$

wherein P is pressure (bar absolute), T is temperature (°C), and A and B are predetermined parameters, wherein the value of A is in the range of from 5,000 up to 60,000, the value of B is in the range of from 10 up to 90, and P is less than 70 bar to control a property which is relevant to the quantity, the composition or the quality of the hydrocarbon fluids produced, and wherein a heat source is applied which is configured to heat the formation by conductive heating.

According to an embodiment of the invention, there is provided a system for use in the method as described above, the system comprising one or more heat injection wells and one or more hydrocarbon fluid production wells which are each located at one or more selected distances from said one or more heat injection wells and which are provided with pressure control devices which are adapted to maintain an elevated fluid pressure, P, in a heated part of the formation between one or more heat injection wells and one or more production wells, wherein the heat injection wells and pressure control devices are controlled such that the pressure is at least the pressure which is calculated for a selected temperature, or the temperature is at most the temperature which is calculated for a selected pressure from the equation:

$$P = 0.07 * e^{\frac{-A}{T + 273}} + B$$

wherein P, T, A and B are as defined above.

63293-3908(S)

Certain embodiments may include altering a composition of formation fluids produced from a hydrocarbon containing formation by altering a location of a production well with respect to a heater well. For example, a production well may be located with respect to a heater well such that a non-condensable gas fraction of produced hydrocarbon fluids may be larger than a condensable gas fraction of the produced hydrocarbon fluids.

Condensable hydrocarbons produced from the formation will typically include paraffins, cycloalkanes, mono-aromatics, and di-aromatics as major components. Such condensable hydrocarbons may also include other components such as tri-aromatics, etc.

In certain embodiments, a majority of the hydrocarbons in produced fluid may have a carbon number of less than approximately 25. Alternatively, less than about 15 weight % of the hydrocarbons in the fluid may have a carbon number greater than approximately 25. In other embodiments fluid produced may have a weight ratio of hydrocarbons having carbon numbers from 2 through 4, to methane, of greater than approximately 1 (e.g., for oil shale and heavy hydrocarbons) or greater than approximately 0.3 (e.g., for coal). The non-condensable hydrocarbons may include, but is not limited to, hydrocarbons having carbon numbers less than 5.

In certain embodiments, the API gravity of the hydrocarbons in produced fluid may be approximately 25 or above (e.g., 30, 40, 50, etc.). In certain embodiments, the hydrogen to carbon atomic ratio in produced fluid may be at least approximately 1.7 (e.g., 1.8, 1.9, etc.).

In certain embodiments, (e.g., when the formation includes coal) fluid produced from a formation may include oxygenated hydrocarbons. In an example, the condensable hydrocarbons may include an amount of oxygenated hydrocarbons greater than about 5 % by weight of the condensable hydrocarbons.

Condensable hydrocarbons of a produced fluid may also include olefins. For example, the olefin content of the condensable hydrocarbons may be from about 0.1 % by weight to about 15 % by weight. Alternatively, the olefin content of the condensable hydrocarbons may be from about 0.1 % by weight to about 2.5 % by weight or, in some embodiments less than about 5% by weight.

63293-3908(S)

Non-condensable hydrocarbons of a produced fluid may also include olefins. For example, the olefin content of the non-condensable hydrocarbons may be gauged using the ethene/ethane molar ratio. In certain embodiments the ethene/ethane molar ratio may range from about 0.001 to about 0.15.

5 Fluid produced from the formation may include aromatic compounds. For example, the condensable hydrocarbons may include an amount of aromatic compounds greater than about 20% or about 25% by weight of the condensable hydrocarbons. The condensable hydrocarbons may also include relatively low
10 amounts of compounds with more than two rings in them (e.g., tri-aromatics or above). For example, the condensable hydrocarbons may include less than about 1%, 2%, or about 5% by weight of tri-aromatics or above in the condensable hydrocarbons.

Thus, according to an embodiment of the invention, there is provided a pyrolysis product obtainable by the process as described above, the product
15 comprising less than 10% by weight of olefins and having an average carbon number less than 35, wherein the product comprises condensable hydrocarbons having an elemental nitrogen content less than 1% by weight of the condensable hydrocarbons, an aromatics content greater than 20% by weight of the condensable hydrocarbons or both.

20 In particular, in certain embodiments asphaltenes (i.e., large multi-ring aromatics that are substantially insoluble in hydrocarbons) make up less than about 0.1% by weight of the condensable hydrocarbons. For example, the condensable hydrocarbons may include an asphaltene component of from about 0.0% by weight to about 0.1% by weight or, in some embodiments, less than
25 about 0.3% by weight.

63293-3908(S)

Condensable hydrocarbons of a produced fluid may also include relatively large amounts of cycloalkanes. For example, the condensable hydrocarbons may include a cycloalkane component of up to 30 % by weight (e.g., from about 5 % by weight to about 30 % by weight) of the condensable hydrocarbons.

5 In certain embodiments, the condensable hydrocarbons of the fluid produced from a formation may include compounds containing nitrogen. For example, less than about 1 % by weight (when calculated on an elemental basis) of the condensable hydrocarbons is nitrogen (e.g., typically the nitrogen is in nitrogen containing compounds such as pyridines, amines, amides, etc.).

10 In certain embodiments, the condensable hydrocarbons of the fluid produced from a formation may include compounds containing oxygen. For example, in certain embodiments (e.g., for oil shale and heavy hydrocarbons) less than about 1 % by weight (when calculated on an elemental basis) of the condensable hydrocarbons is oxygen (e.g., typically the oxygen is in oxygen containing compounds such as phenols, substituted phenols, ketones, etc.). In certain other embodiments (e.g., for coal) between about 5 % and about 30 % by weight of the condensable hydrocarbons are typically oxygen containing compounds such as phenols, substituted phenols, ketones, etc. In some instances certain compounds containing oxygen (e.g., phenols) may be
15 valuable and, as such, may be economically separated from the produced fluid.

In certain embodiments, the condensable hydrocarbons of the fluid produced from a formation may include compounds containing sulfur. For example, less than about 1 % by weight (when calculated on an elemental basis) of the condensable hydrocarbons is sulfur (e.g., typically the sulfur is in sulfur containing
20 compounds such as thiophenes, mercaptans, etc.).

Furthermore, the fluid produced from the formation may include ammonia (typically the ammonia condenses with the water, if any, produced from the formation). For example, the fluid produced from the formation may in certain embodiments include about 0.05 % or more by weight of ammonia. Certain formations may produce larger amounts of ammonia (e.g., up to about 10% by weight of the total fluid produced may be
25 ammonia).

Furthermore, a produced fluid from the formation may also include molecular hydrogen (H_2), water, carbon dioxide, hydrogen sulfide, etc. For example, the fluid may include a H_2 content between about 10 % to about 80 % by volume of the non-condensable hydrocarbons.

WO 01/81239

PCT/US01/13452

Certain embodiments may include heating to yield at least about 15 % by weight of a total organic carbon content of at least some of the hydrocarbon containing formation into formation fluids.

In an embodiment, an in situ conversion process for treating a hydrocarbon containing formation may include providing heat to a section of the formation to yield greater than about 60 % by weight of the potential hydrocarbon products and hydrogen, as measured by the Fischer Assay.

In certain embodiments, heating of the selected section of the formation may be controlled to pyrolyze at least about 20 % by weight (or in some embodiments about 25 % by weight) of the hydrocarbons within the selected section of the formation.

Certain embodiments may include providing a reducing agent to at least a portion of the formation. A reducing agent provided to a portion of the formation during heating may increase production of selected formation fluids. A reducing agent may include, but is not limited to, molecular hydrogen. For example, pyrolyzing at least some hydrocarbons in a hydrocarbon containing formation may include forming hydrocarbon fragments. Such hydrocarbon fragments may react with each other and other compounds present in the formation. Reaction of these hydrocarbon fragments may increase production of olefin and aromatic compounds from the formation. Therefore, a reducing agent provided to the formation may react with hydrocarbon fragments to form selected products and/or inhibit the production of non-selected products.

In an embodiment, a hydrogenation reaction between a reducing agent provided to a hydrocarbon containing formation and at least some of the hydrocarbons within the formation may generate heat. The generated heat may be allowed to transfer such that at least a portion of the formation may be heated. A reducing agent such as molecular hydrogen may also be autogenously generated within a portion of a hydrocarbon containing formation during an in situ conversion process for hydrocarbons. In this manner, the autogenously generated molecular hydrogen may hydrogenate formation fluids within the formation. Allowing formation waters to contact hot carbon in the spent formation may generate molecular hydrogen. Cracking an injected hydrocarbon fluid may also generate molecular hydrogen.

Certain embodiments may also include providing a fluid produced in a first portion of a hydrocarbon containing formation to a second portion of the formation. In this manner, a fluid produced in a first portion of a hydrocarbon containing formation may be used to produce a reducing environment in a second portion of the formation. For example, molecular hydrogen generated in a first portion of a formation may be provided to a second portion of the formation. Alternatively, at least a portion of formation fluids produced from a first portion of the formation may be provided to a second portion of the formation to provide a reducing environment within the second portion. The second portion of the formation may be treated according to any of the embodiments described herein.

Certain embodiments may include controlling heat provided to at least a portion of the formation such that a thermal conductivity of the portion may be increased to greater than about 0.5 W/(m °C) or, in some embodiments, greater than about 0.6 W/(m °C).

In certain embodiments a mass of at least a portion of the formation may be reduced due, for example, to the production of formation fluids from the formation. As such, a permeability and porosity of at least a portion of the formation may increase. In addition, removing water during the heating may also increase the permeability and porosity of at least a portion of the formation.

Certain embodiments may include increasing a permeability of at least a portion of a hydrocarbon containing formation to greater than about 0.01, 0.1, 1, 10, 20 and/or 50 Darcy. In addition, certain embodiments

WO 01/81239

PCT/US01/13452

may include substantially uniformly increasing a permeability of at least a portion of a hydrocarbon containing formation. Some embodiments may include increasing a porosity of at least a portion of a hydrocarbon containing formation substantially uniformly.

5 In certain embodiments, after pyrolysis of a portion of a formation, synthesis gas may be produced from carbon and/or hydrocarbons remaining within the formation. Pyrolysis of the portion may produce a relatively high, substantially uniform permeability throughout the portion. Such a relatively high, substantially uniform permeability may allow generation of synthesis gas from a significant portion of the formation at relatively low pressures. The portion may also have a large surface area and/or surface area/volume. The large surface area may allow synthesis gas producing reactions to be substantially at equilibrium conditions during synthesis gas generation. The relatively high, substantially uniform permeability may result in a relatively high recovery efficiency of synthesis gas, as compared to synthesis gas generation in a hydrocarbon containing formation that has not been so treated.

10 Synthesis gas may be produced from the formation prior to or subsequent to producing a formation fluid from the formation. For example, synthesis gas generation may be commenced before and/or after formation fluid production decreases to an uneconomical level. In this manner, heat provided to pyrolyze hydrocarbons within the formation may also be used to generate synthesis gas. For example, if a portion of the formation is at a temperature from approximately 270 °C to approximately 375 °C (or 400 °C in some embodiments) after pyrolyzation, then less additional heat is generally required to heat such portion to a temperature sufficient to support synthesis gas generation.

15 Pyrolysis of at least some hydrocarbons may in some embodiments convert about 15 % by weight or more of the carbon initially available. Synthesis gas generation may convert approximately up to an additional 80 % by weight or more of carbon initially available within the portion. In this manner, in situ production of synthesis gas from a hydrocarbon containing formation may allow conversion of larger amounts of carbon initially available within the portion. The amount of conversion achieved may, in some embodiments, be limited by subsidence concerns.

20 Certain embodiments may include providing heat from one or more heat sources to heat the formation to a temperature sufficient to allow synthesis gas generation (e.g., in a range of approximately 400 °C to approximately 1200 °C or higher). At a lower end of the temperature range, generated synthesis gas may have a high hydrogen (H₂) to carbon monoxide (CO) ratio. At an upper end of the temperature range, generated synthesis gas may include mostly H₂ and CO in lower ratios (e.g., approximately a 1:1 ratio).

25 Heat sources for synthesis gas production may include any of the heat sources as described in any of the embodiments set forth herein. Alternatively, heating may include transferring heat from a heat transfer fluid (e.g., steam or combustion products from a burner) flowing within a plurality of wellbores within the formation.

30 A synthesis gas generating fluid (e.g., liquid water, steam, carbon dioxide, air, oxygen, hydrocarbons, and mixtures thereof) may be provided to the formation. For example, the synthesis gas generating fluid mixture may include steam and oxygen. In an embodiment, a synthesis gas generating fluid may include aqueous fluid produced by pyrolysis of at least some hydrocarbons within one or more other portions of the formation. Providing the synthesis gas generating fluid may alternatively include raising a water table of the formation to allow water to flow into it. Synthesis gas generating fluid may also be provided through at least one injection wellbore. The synthesis gas generating fluid will generally react with carbon in the formation to form H₂, water, methane, CO₂ and/or CO. A portion of the carbon dioxide may react with carbon in the formation to generate

40

63293-3908(S)

carbon monoxide. Hydrocarbons such as ethane may be added to a synthesis gas generating fluid. When introduced into the formation, the hydrocarbons may crack to form hydrogen and/or methane. The presence of methane in produced synthesis gas may increase the heating value of the produced synthesis gas.

5 According to an embodiment of the invention, there is provided a method for producing synthesis gas which method comprises: providing a hydrocarbon containing formation which is treated according to the method as described above; and subsequently reacting at least part of the treated hydrocarbon containing formation with a synthesis gas generating fluid.

10 According to an embodiment of the invention, there is a method for producing hydrocarbons comprising providing a synthesis gas which synthesis gas has been produced as described above, and converting the synthesis gas into hydrocarbons.

 Synthesis gas generating reactions are typically endothermic
15 reactions. In an embodiment, an oxidant may be added to a synthesis gas generating fluid. The oxidant may include, but is not limited to, air, oxygen enriched air, oxygen, hydrogen peroxide, other oxidizing fluids, or combinations thereof. The oxidant may react with carbon within the formation to exothermically generate heat. Reaction of an oxidant with carbon in the formation may result in
20 production of CO₂ and/or CO. Introduction of an oxidant to react with carbon in the formation may economically allow raising the formation temperature high enough to result in generation of significant quantities of H₂ and CO from hydrocarbons within the formation. Synthesis gas generation may be via a batch process or a continuous process, as is further described herein.

25 Synthesis gas may be produced from one or more producer wells that include one or more heat sources. Such heat sources may operate to promote production of the synthesis gas with a desired composition.

63293-3908(S)

Certain embodiments may include monitoring a composition of the produced synthesis gas, and then controlling heating and/or controlling input of the synthesis gas generating fluid to maintain the composition of the produced synthesis gas within a desired range. For example, in some embodiments (e.g., such as when the synthesis gas will be used as a feedstock for a Fischer-Tropsch process) a desired composition of the produced synthesis gas may have a ratio of hydrogen to carbon monoxide of about 1.8:1 to 2.2:1 (e.g., about 2:1 or about 2.1:1). In some embodiments (such as when the synthesis gas will be used as a feedstock to make methanol) such ratio may be about 3:1 (e.g., about 2.8:1 to 3.2:1).

Certain embodiments may include blending a first synthesis gas with a second synthesis gas to produce synthesis gas of a desired composition. The first and the second synthesis gases may be produced from different portions of the formation.

Synthesis gases described herein may be converted to heavier condensable hydrocarbons. For example, a Fischer-Tropsch hydrocarbon synthesis process may be configured to convert synthesis gas to branched and unbranched paraffins. Paraffins produced from the Fischer-Tropsch process may be used to produce other products such as diesel, jet fuel, and naphtha products. The produced synthesis gas may also be used in a catalytic methanation process to produce methane. Alternatively, the produced synthesis gas may be used for production of methanol, gasoline and diesel fuel, ammonia, and middle distillates. Produced synthesis gas may be used to heat the formation as a combustion fuel. Hydrogen in produced synthesis gas may be used to upgrade oil.

Synthesis gas may also be used for other purposes. Synthesis gas may be combusted as fuel. Synthesis gas may also be used for synthesizing a wide range of organic and/or inorganic compounds such as hydrocarbons and ammonia. Synthesis gas may be used to generate electricity, by combusting it as a fuel, by reducing the pressure of the synthesis gas in turbines, and/or using the temperature of the synthesis gas to make steam (and then run turbines). Synthesis gas may also be used in an energy generation unit such as a molten carbonate fuel cell, a solid oxide fuel cell, or other type of fuel cell.

Thus, according to another embodiment of the invention, there is provided a method of producing energy comprising providing a synthesis gas which synthesis gas has been produced according to the method as described above, and expanding, combusting or both the synthesis gas, or using the synthesis gas in a fuel cell.

Certain embodiments may include separating a fuel cell feed stream from fluids produced from pyrolysis of at least some of the hydrocarbons within a formation. The fuel cell feed stream may include H₂, hydrocarbons, and/or carbon monoxide. In addition, certain embodiments may include directing the fuel cell feed stream to a fuel cell to produce electricity. The electricity generated from the synthesis gas or the pyrolyzation fluids in the fuel cell may be configured to power electrical heaters, which may be configured to heat at least a portion of the

WO 01/81239

PCT/US01/13452

formation. Certain embodiments may include separating carbon dioxide from a fluid exiting the fuel cell. Carbon dioxide produced from a fuel cell or a formation may be used for a variety of purposes.

5 In an embodiment, a portion of a formation that has been pyrolyzed and/or subjected to synthesis gas generation may be allowed to cool or may be cooled to form a cooled, spent portion within the formation. For example, a heated portion of a formation may be allowed to cool by transference of heat to adjacent portion of the formation. The transference of heat may occur naturally or may be forced by the introduction of heat transfer fluids through the heated portion and into a cooler portion of the formation. Alternatively, introducing water to the first portion of the formation may cool the first portion. Water introduced into the first portion may be removed from the formation as steam. The removed steam or hot water may be injected into a hot portion of the formation to create synthesis gas.

10 Cooling the formation may provide certain benefits such as increasing the strength of the rock in the formation (thereby mitigating subsidence), increasing absorptive capacity of the formation, etc.

15 In an embodiment, a cooled, spent portion of a hydrocarbon containing formation may be used to store and/or sequester other materials such as carbon dioxide. Carbon dioxide may be injected under pressure into the cooled, spent portion of the formation. The injected carbon dioxide may adsorb onto hydrocarbons in the formation and/or reside in void spaces such as pores in the formation. The carbon dioxide may be generated during pyrolysis, synthesis gas generation, and/or extraction of useful energy.

20 In an embodiment, produced formation fluids may be stored in a cooled, spent portion of the formation. In some embodiments carbon dioxide may be stored in relatively deep coal beds, and used to desorb coal bed methane.

25 Many of the in situ processes and/or systems described herein may be used to produce hydrocarbons, hydrogen and other formation fluids from a relatively permeable formation that includes heavy hydrocarbons (e.g., from tar sands). Heating may be used to mobilize the heavy hydrocarbons within the formation, and then to pyrolyze heavy hydrocarbons within the formation to form pyrolyzation fluids. Formation fluids produced during pyrolyzation may be removed from the formation through production wells.

In certain embodiments fluid (e.g., gas) may be provided to a relatively permeable formation. The gas may be used to pressurize the formation. A pressure in the formation may be selected to control mobilization of fluid within the formation. For example, a higher pressure may increase the mobilization of fluid within the formation such that fluids may be produced at a higher rate.

30 In an embodiment, a portion of a relatively permeable formation may be heated to reduce a viscosity of the heavy hydrocarbons within the formation. The reduced viscosity heavy hydrocarbons may be mobilized. The mobilized heavy hydrocarbons may flow to a selected pyrolyzation section of the formation. A gas may be provided into the relatively permeable formation to increase a flow of the mobilized heavy hydrocarbons into the selected pyrolyzation section. Such a gas may be, for example, carbon dioxide (the carbon dioxide may be stored in the formation after removal of the heavy hydrocarbons). The heavy hydrocarbons within the selected pyrolyzation section may be substantially pyrolyzed. Pyrolyzation of the mobilized heavy hydrocarbons may upgrade the heavy hydrocarbons to a more desirable product. The pyrolyzed heavy hydrocarbons may be removed from the formation through a production well. In some embodiments, the mobilized heavy hydrocarbons may be removed from the formation through a production well without upgrading or pyrolyzing the heavy hydrocarbons.

40

WO 01/81239

PCT/US01/13452

Hydrocarbon fluids produced from the formation may vary depending on conditions within the formation. For example, a heating rate of a selected pyrolyzation section may be controlled to increase the production of selected products. In addition, pressure within the formation may be controlled to vary the composition of the produced fluids.

5 Certain systems and methods described herein may be used to treat heavy hydrocarbons in at least a portion of a relatively low permeability formation (e.g., in "tight" formations that contain heavy hydrocarbons). Such heavy hydrocarbons may be heated to pyrolyze at least some of the heavy hydrocarbons in a selected section of the formation. Heating may also increase the permeability of at least a portion of the selected section. Fluids generated from pyrolysis may be produced from the formation.

10 Certain embodiments for treating heavy hydrocarbons in a relatively low permeability formation may include providing heat from one or more heat sources to pyrolyze some of the heavy hydrocarbons and then to vaporize a portion of the heavy hydrocarbons. The heat sources may pyrolyze at least some heavy hydrocarbons in a selected section of the formation and may pressurize at least a portion of the selected section. During the heating, the pressure within the formation may increase substantially. The pressure in the formation may be controlled such that the pressure in the formation may be maintained to produce a fluid of a desired composition. Pyrolyzation fluid may be removed from the formation as vapor from one or more heater wells by using the back pressure created by heating the formation.

15 Certain embodiments for treating heavy hydrocarbons in at least a portion of a relatively low permeability formation may include heating to create a pyrolysis zone and heating a selected second section to less than the average temperature within the pyrolysis zone. Heavy hydrocarbons may be pyrolyzed in the pyrolysis zone. Heating the selected second section may decrease the viscosity of some of the heavy hydrocarbons in the selected second section to create a low viscosity zone. The decrease in viscosity of the fluid in the selected second section may be sufficient such that at least some heated heavy hydrocarbons within the selected second section may flow into the pyrolysis zone. Pyrolyzation fluid may be produced from the pyrolysis zone. In one embodiment, the density of the heat sources in the pyrolysis zone may be greater than in the low viscosity zone.

20 In certain embodiments it may be desirable to create the pyrolysis zones and low viscosity zones sequentially over time. The heat sources in a region near a desired pyrolysis zone may be activated first, resulting in a substantially uniform pyrolysis zone that may be established after a period of time. Once the pyrolysis zone is established, heat sources in the low viscosity zone may be activated sequentially from nearest to farthest from the pyrolysis zone.

BRIEF DESCRIPTION OF THE DRAWINGS

25 Further advantages of the present invention may become apparent to those skilled in the art with the benefit of the following detailed description of the preferred embodiments and upon reference to the accompanying drawings in which:

- FIG. 1 depicts an illustration of stages of heating a hydrocarbon containing formation;
- FIG. 2 depicts a diagram of properties of a hydrocarbon containing formation;
- FIG. 3 depicts an embodiment of a heat source pattern;
- 40 FIGS. 3a-3c depict embodiments of heat sources;
- FIG. 4 depicts an embodiment of heater wells located in a hydrocarbon containing formation;

- FIG. 5 depicts an embodiment of a pattern of heater wells in a hydrocarbon containing formation;
 FIG. 6 depicts an embodiment of a heated portion of a hydrocarbon containing formation;
 FIG. 7 depicts an embodiment of superposition of heat in a hydrocarbon containing formation;
 FIG. 8 and FIG. 9 depict embodiments of a pattern of heat sources and production wells in a hydrocarbon
 5 containing formation;
 FIG. 10 depicts an embodiment of a natural distributed combustor heat source;
 FIG. 11 depicts a portion of an overburden of a formation with a heat source;
 FIG. 12 and FIG. 13 depict embodiments of a natural distributed combustor heater;
 FIG. 14 and FIG. 15 depict embodiments of a system for heating a formation;
 10 FIGS. 16-21 depict several embodiments of an insulated conductor heat source;
 FIG. 22 and FIGS. 23a-23b depict several embodiments of a centralizer;
 FIG. 24 depicts an embodiment of a conductor-in-conduit heat source in a formation;
 FIG. 25 depicts an embodiment of a heat source in a formation;
 FIG. 26 depicts an embodiment of a surface combustor heat source;
 15 FIG. 27 depicts an embodiment of a conduit for a heat source;
 FIG. 28 depicts an embodiment of a flameless combustor heat source;
 FIG. 29 depicts an embodiment of using pyrolysis water to generate synthesis gas in a formation;
 FIG. 30 depicts an embodiment of synthesis gas production in a formation;
 FIG. 31 depicts an embodiment of continuous synthesis gas production in a formation;
 20 FIG. 32 depicts an embodiment of batch synthesis gas production in a formation;
 FIG. 33 depicts an embodiment of producing energy with synthesis gas produced from a hydrocarbon
 containing formation;
 FIG. 34 depicts an embodiment of producing energy with pyrolyzation fluid produced from a
 hydrocarbon containing formation;
 25 FIG. 35 depicts an embodiment of synthesis gas production from a formation;
 FIG. 36 depicts an embodiment of sequestration of carbon dioxide produced during pyrolysis in a
 hydrocarbon containing formation;
 FIG. 37 depicts an embodiment of producing energy with synthesis gas produced from a hydrocarbon
 containing formation;
 30 FIG. 38 depicts an embodiment of a Fischer-Tropsch process using synthesis gas produced from a
 hydrocarbon containing formation;
 FIG. 39 depicts an embodiment of a Shell Middle Distillates process using synthesis gas produced from a
 hydrocarbon containing formation;
 FIG. 40 depicts an embodiment of a catalytic methanation process using synthesis gas produced from a
 35 hydrocarbon containing formation;
 FIG. 41 depicts an embodiment of production of ammonia and urea using synthesis gas produced from a
 hydrocarbon containing formation;
 FIG. 42 depicts an embodiment of production of ammonia using synthesis gas produced from a
 hydrocarbon containing formation;
 40 FIG. 43 depicts an embodiment of preparation of a feed stream for an ammonia process;
 FIGS. 44-48 depict several embodiments for treating a relatively permeable formation;

- FIG. 49 and FIG. 50 depict embodiments of heat sources in a relatively permeable formation;
 FIGS. 51-57 depict several embodiments of heat sources in a relatively low permeability formation;
 FIGS. 58-70 depict several embodiments of a heat source and production well pattern;
 FIG. 71 depicts an embodiment of surface facilities for treating a formation fluid;
 5 FIG. 72 depicts an embodiment of a catalytic flameless distributed combustor;
 FIG. 73 depicts an embodiment of surface facilities for treating a formation fluid;
 FIG. 74 depicts an embodiment of a square pattern of heat sources and production wells;
 FIG. 75 depicts an embodiment of a heat source and production well pattern;
 FIG. 76 depicts an embodiment of a triangular pattern of heat sources;
 10 FIG. 76a depicts an embodiment of a square pattern of heat sources;
 FIG. 77 depicts an embodiment of a hexagonal pattern of heat sources;
 FIG. 77a depicts an embodiment of a 12 to 1 pattern of heat sources;
 FIG. 78 depicts a temperature profile for a triangular pattern of heat sources;
 FIG. 79 depicts a temperature profile for a square pattern of heat sources;
 15 FIG. 79a depicts a temperature profile for a hexagonal pattern of heat sources;
 FIG. 80 depicts a comparison plot between the average pattern temperature and temperatures at the coldest spots for various patterns of heat sources;
 FIG. 81 depicts a comparison plot between the average pattern temperature and temperatures at various spots within triangular and hexagonal pattern of heat sources;
 20 FIG. 81a depicts a comparison plot between the average pattern temperature and temperatures at various spots within a square pattern of heat sources;
 FIG. 81b depicts a comparison plot between temperatures at the coldest spots of various pattern of heat sources;
 FIG. 82 depicts extension of a reaction zone in a heated formation over time;
 25 FIG. 83 and FIG. 84 depict the ratio of conductive heat transfer to radiative heat transfer in a formation;
 FIGS. 85-88 depict temperatures of a conductor, a conduit, and an opening in a formation versus a temperature at the face of a formation;
 FIG. 89 depicts a retort and collection system;
 FIG. 90 depicts pressure versus temperature in an oil shale containing formation during pyrolysis;
 30 FIG. 91 depicts quality of oil produced from an oil shale containing formation;
 FIG. 92 depicts ethene to ethane ratio produced from an oil shale containing formation as a function of temperature and pressure;
 FIG. 93 depicts yield of fluids produced from an oil shale containing formation as a function of temperature and pressure;
 35 FIG. 94 depicts a plot of oil yield produced from treating an oil shale containing formation;
 FIG. 95 depicts yield of oil produced from treating an oil shale containing formation;
 FIG. 96 depicts hydrogen to carbon ratio of hydrocarbon condensate produced from an oil shale containing formation as a function of temperature and pressure;
 FIG. 97 depicts olefin to paraffin ratio of hydrocarbon condensate produced from an oil shale containing
 40 formation as a function of pressure and temperature;

WO 01/81239

PCT/US01/13452

- FIG. 98 depicts relationships between properties of a hydrocarbon fluid produced from an oil shale containing formation;
- FIG. 99 depicts quantity of oil produced from an oil shale containing formation as a function of partial pressure of H_2 ;
- 5 FIG. 100 depicts ethene to ethane ratios of fluid produced from an oil shale containing formation as a function of temperature and pressure;
- FIG. 101 depicts hydrogen to carbon atomic ratios of fluid produced from an oil shale containing formation as a function of temperature and pressure;
- FIG. 102 depicts an embodiment of an apparatus for a drum experiment;
- 10 FIG. 103 depicts a plot of ethene to ethane ratio versus hydrogen concentration;
- FIG. 104 depicts a heat source and production well pattern for a field experiment in an oil shale containing formation;
- FIG. 105 depicts a cross-sectional view of the field experiment;
- FIG. 106 depicts a plot of temperature within the oil shale containing formation during the field experiment;
- 15 FIG. 107 depicts pressure within the oil shale containing formation during the field experiment;
- FIG. 108 depicts a plot of API gravity of a fluid produced from the oil shale containing formation during the field experiment versus time;
- FIG. 109 depicts average carbon numbers of fluid produced from the oil shale containing formation during the field experiment versus time;
- 20 FIG. 110 depicts density of fluid produced from the oil shale containing formation during the field experiment versus time;
- FIG. 111 depicts a plot of weight percent of hydrocarbons within fluid produced from the oil shale containing formation during the field experiment;
- 25 FIG. 112 depicts a plot of an average yield of oil from the oil shale containing formation during the field experiment;
- FIG. 113 depicts experimental data from laboratory experiments on oil shale;
- FIG. 114 depicts total hydrocarbon production and liquid phase fraction versus time of a fluid produced from an oil shale containing formation;
- 30 FIG. 115 depicts weight percent of paraffins versus vitrinite reflectance;
- FIG. 116 depicts weight percent of cycloalkanes in produced oil versus vitrinite reflectance;
- FIG. 117 depicts weight percentages of paraffins and cycloalkanes in produced oil versus vitrinite reflectance;
- FIG. 118 depicts phenol weight percent in produced oil versus vitrinite reflectance;
- 35 FIG. 119 depicts aromatic weight percent in produced oil versus vitrinite reflectance;
- FIG. 120 depicts ratio of paraffins and aliphatics to aromatics versus vitrinite reflectance;
- FIG. 121 depicts yields of paraffins versus vitrinite reflectance;
- FIG. 122 depicts yields of cycloalkanes versus vitrinite reflectance;
- FIG. 123 depicts yields of cycloalkanes and paraffins versus vitrinite reflectance;
- 40 FIG. 124 depicts yields of phenol versus vitrinite reflectance;
- FIG. 125 depicts API gravity as a function of vitrinite reflectance;

- FIG. 126 depicts yield of oil from a coal containing formation as a function of vitrinite reflectance;
FIG. 127 depicts CO₂ yield from coal having various vitrinite reflectances;
FIG. 128 depicts CO₂ yield versus atomic O/C ratio for a coal containing formation;
FIG. 129 depicts a schematic of a coal cube experiment;
- 5 FIG. 130 depicts in situ temperature profiles for electrical resistance heaters, and natural distributed combustion heaters;
- FIG. 131 depicts equilibrium gas phase compositions produced from experiments on a coal cube;
FIG. 132 depicts cumulative production of gas as a function of temperature produced by heating a coal cube;
- 10 FIG. 133 depicts cumulative condensable hydrocarbons and water as a function of temperature produced by heating a coal cube;
- FIG. 134 depicts the compositions of condensable hydrocarbons produced when various ranks of coal were treated;
- FIG. 135 depicts thermal conductivity of coal versus temperature;
- 15 FIG. 136 depicts a cross-sectional view of an in situ experimental field test;
FIG. 137 depicts locations of heat sources and wells in an experimental field test;
FIG. 138 and FIG. 139 depict temperature versus time in an experimental field test;
FIG. 140 depicts volume of oil produced from an experimental field test as a function of time;
FIG. 141 depicts carbon number distribution of fluids produced from an experimental field test;
- 20 FIG. 142 depicts weight percent of a hydrocarbon produced from two laboratory experiments on coal from the I field test site versus carbon number distribution;
- FIG. 143 depicts fractions from separation of coal oils treated by Fischer assay and treated by slow heating in a coal cube experiment;
- FIG. 144 depicts percentage ethene to ethane produced from a coal containing formation as a function of heating rate in an experimental field test;
- 25 FIG. 145 depicts product quality of fluids produced from a coal containing formation as a function of heating rate in an experimental field test;
- FIG. 146 depicts weight percentages of various fluids produced from a coal containing formation for various heating rates in an experimental field test;
- 30 FIG. 147 depicts CO₂ produced at three different locations versus time in an experimental field test;
FIG. 148 depicts volatiles produced from a coal containing formation in an experimental field test versus cumulative energy content;
- FIG. 149 depicts volume of gas produced from a coal containing formation in an experimental field test as a function of time;
- 35 FIG. 150 depicts volume of oil produced from a coal containing formation in an experimental field test as a function of energy input;
- FIG. 151 depicts synthesis gas production from the coal containing formation in an experimental field test versus the total water inflow;
- FIG. 152 depicts additional synthesis gas production from the coal containing formation in an experimental field test due to injected steam;
- 40 FIG. 153 depicts the effect of methane injection into a heated formation;

WO 01/81239

PCT/US01/13452

- FIG. 154 depicts the effect of ethane injection into a heated formation;
FIG. 155 depicts the effect of propane injection into a heated formation;
FIG. 156 depicts the effect of butane injection into a heated formation;
FIG. 157 depicts composition of gas produced from a formation versus time;
5 FIG. 158 depicts synthesis gas conversion versus time;
FIG. 159 depicts calculated equilibrium gas dry mole fractions for a reaction of coal with water;
FIG. 160 depicts calculated equilibrium gas wet mole fractions for a reaction of coal with water;
FIG. 161 depicts an example of pyrolysis and synthesis gas production stages in a coal containing
formation;
10 FIG. 162 depicts an example of low temperature in situ synthesis gas production;
FIG. 163 depicts an example of high temperature in situ synthesis gas production;
FIG. 164 depicts an example of in situ synthesis gas production in a hydrocarbon containing formation;
FIG. 165 depicts a plot of cumulative adsorbed methane and carbon dioxide versus pressure in a coal
containing formation;
15 FIG. 166 depicts an embodiment of in situ synthesis gas production integrated with a Fischer-Tropsch
process;
FIG. 167 depicts a comparison between numerical simulation data and experimental field test data of
synthesis gas composition produced as a function of time;
FIG. 168 depicts weight percentages of carbon compounds versus carbon number produced from a heavy
20 hydrocarbon containing formation;
FIG. 169 depicts weight percentages of carbon compounds produced from a heavy hydrocarbon
containing formation versus heating rate and pressure;
FIG. 170 depicts a plot of oil production versus time in a heavy hydrocarbon containing formation;
FIG. 171 depicts ratio of heat content of fluids produced from a heavy hydrocarbon containing formation
25 to heat input versus time;
FIG. 172 depicts numerical simulation data of weight percentage versus carbon number distribution
produced from a heavy hydrocarbon containing formation;
FIG. 173 depicts H₂ mole percent in gases produced from heavy hydrocarbon drum experiments.
FIG. 174 depicts API gravity of liquids produced from heavy hydrocarbon drum experiments;
30 FIG. 175 depicts a plot of hydrocarbon liquids production over time for an in situ field experiment;
FIG. 176 depicts a plot of hydrocarbon liquids, gas, and water for an in situ field experiment;
FIG. 177 depicts pressure at wellheads as a function of time from a numerical simulation;
FIG. 178 depicts production rate of carbon dioxide and methane as a function of time from a numerical
simulation;
35 FIG. 179 depicts cumulative methane produced and net carbon dioxide injected as a function of time
from a numerical simulation;
FIG. 180 depicts pressure at wellheads as a function of time from a numerical simulation;
FIG. 181 depicts production rate of carbon dioxide as a function of time from a numerical simulation;
and
40 FIG. 182 depicts cumulative net carbon dioxide injected as a function of time from a numerical
simulation.

WO 01/81239

PCT/US01/13452

While the invention is susceptible to various modifications and alternative forms, specific embodiments thereof are shown by way of example in the drawings and may herein be described in detail. The drawings may not be to scale. It should be understood, however, that the drawings and detailed description thereto are not intended to limit the invention to the particular form disclosed, but on the contrary, the intention is to cover all modifications, equivalents and alternatives falling within the spirit and scope of the present invention as defined by the appended claims.

DETAILED DESCRIPTION OF THE INVENTION

The following description generally relates to systems and methods for treating a hydrocarbon containing formation (e.g., a formation containing coal (including lignite, sapropelic coal, etc.), oil shale, carbonaceous shale, shungites, kerogen, oil, kerogen and oil in a low permeability matrix, heavy hydrocarbons, asphaltites, natural mineral waxes, formations wherein kerogen is blocking production of other hydrocarbons, etc.). Such formations may be treated to yield relatively high quality hydrocarbon products, hydrogen, and other products.

As used herein, "a method of treating a hydrocarbon containing formation" may be used interchangeably with "an in situ conversion process for hydrocarbons." "Hydrocarbons" are generally defined as organic material that contains carbon and hydrogen in their molecular structures. Hydrocarbons may also include other elements, such as, but not limited to, halogens, metallic elements, nitrogen, oxygen, and/or sulfur. Hydrocarbons may be, but are not limited to, kerogen, bitumen, pyrobitumen, and oils. Hydrocarbons may be located within or adjacent to mineral matrices within the earth. Matrices may include, but are not limited to, sedimentary rock, sands, silicilytes, carbonates, diatomites, and other porous media.

"Kerogen" is generally defined as a solid, insoluble hydrocarbon that has been converted by natural degradation (e.g., by diagenesis) and that principally contains carbon, hydrogen, nitrogen, oxygen, and sulfur. Coal and oil shale are typical examples of materials that contain kerogens. "Bitumen" is generally defined as a non-crystalline solid or viscous hydrocarbon material that is substantially soluble in carbon disulphide. "Oil" is generally defined as a fluid containing a complex mixture of condensable hydrocarbons.

The terms "formation fluids" and "produced fluids" generally refer to fluids removed from a hydrocarbon containing formation and may include pyrolyzation fluid, synthesis gas, mobilized hydrocarbon, and water (steam). The term "mobilized fluid" generally refers to fluids within the formation that are able to flow because of thermal treatment of the formation. Formation fluids may include hydrocarbon fluids as well as non-hydrocarbon fluids. As used herein, "hydrocarbon fluids" generally refer to compounds including primarily hydrogen and carbon. Hydrocarbon fluids may include other elements in addition to hydrogen and carbon such as, but not limited to, nitrogen, oxygen, and sulfur. Non-hydrocarbon fluids may include, but are not limited to, hydrogen ("H₂"), nitrogen ("N₂"), carbon monoxide, carbon dioxide, hydrogen sulfide, water, and ammonia.

A "carbon number" generally refers to a number of carbon atoms within a molecule. As described herein, carbon number distributions are determined by true boiling point distribution and gas liquid chromatography.

A "heat source" is generally defined as any system configured to provide heat to at least a portion of a formation. For example, a heat source may include electrical heaters such as an insulated conductor, an elongated member, and a conductor disposed within a conduit, as described in embodiments herein. A heat source may also include heat sources that generate heat by burning a fuel external to or within a formation such as surface burners, flameless distributed combustors, and natural distributed combustors, as described in embodiments herein. In

WO 01/81239

PCT/US01/13452

addition, it is envisioned that in some embodiments heat provided to or generated in one or more heat sources may be supplied by other sources of energy. The other sources of energy may directly heat a formation, or the energy may be applied to a transfer media that directly or indirectly heats the formation. It is to be understood that one or more heat sources that are applying heat to a formation may use different sources of energy. Thus, for example, for a given formation some heat sources may supply heat from electric resistance heaters, some heat sources may provide heat from combustion, and some heat sources may provide heat from one or more other energy sources (e.g., chemical reactions, solar energy, wind energy, or other sources of renewable energy). A chemical reaction may include an exothermic reaction such as, but not limited to, an oxidation reaction that may take place in at least a portion of a formation. A heat source may also include a heater that may be configured to provide heat to a zone proximate to and/or surrounding a heating location such as a heater well. Heaters may be, but are not limited to, electric heaters, burners, and natural distributed combustors.

A "heater" is generally defined as any system configured to generate heat in a well or a near wellbore region. A "unit of heat sources" refers to a minimal number of heat sources that form a template that is repeated to create a pattern of heat sources within a formation. For example, a heater may generate heat by burning a fuel external to or within a formation such as surface burners, flameless distributed combustors, and natural distributed combustors, as described in embodiments herein.

The term "wellbore" generally refers to a hole in a formation made by drilling. A wellbore may have a substantially circular cross-section, or a cross-section in other shapes as well (e.g., circles, ovals, squares, rectangles, triangles, slits, or other regular or irregular shapes). As used herein, the terms "well" and "opening," when referring to an opening in the formation, may also be used interchangeably with the term "wellbore."

As used herein, the phrase "natural distributed combustor" generally refers to a heater that uses an oxidant to oxidize at least a portion of the carbon in the formation to generate heat, and wherein the oxidation takes place in a vicinity proximate to a wellbore. Most of the combustion products produced in the natural distributed combustor are removed through the wellbore.

The term "orifices," as used herein, generally describes openings having a wide variety of sizes and cross-sectional shapes including, but not limited to, circles, ovals, squares, rectangles, triangles, slits, or other regular or irregular shapes.

As used herein, a "reaction zone" generally refers to a volume of a hydrocarbon containing formation that is subjected to a chemical reaction such as an oxidation reaction.

As used herein, the term "insulated conductor" generally refers to any elongated material that may conduct electricity and that is covered, in whole or in part, by an electrically insulating material. The term "self-controls" generally refers to controlling an output of a heater without external control of any type.

"Pyrolysis" is generally defined as the breaking of chemical bonds due to the application of heat. For example, pyrolysis may include transforming a compound into one or more other substances by heat alone. In the context of this patent, heat for pyrolysis may originate in an oxidation reaction and then such heat may be transferred to a section of the formation to cause pyrolysis.

As used herein, a "pyrolyzation fluid" or "pyrolysis products" generally refers to a fluid produced substantially during pyrolysis of hydrocarbons. As used herein, a "pyrolysis zone" generally refers to a volume of hydrocarbon containing formation that is reacted or reacting to form a pyrolyzation fluid.

"Cracking" generally refers to a process involving decomposition and molecular recombination of organic compounds wherein a number of molecules becomes larger. In cracking, a series of reactions take place

WO 01/81239

PCT/US01/13452

accompanied by a transfer of hydrogen atoms between molecules. Cracking fundamentally changes the chemical structure of the molecules. For example, naphtha may undergo a thermal cracking reaction to form ethene and H₂.

The term "superposition of heat" is generally defined as providing heat from at least two heat sources to a selected section of the portion of the formation such that the temperature of the formation at least at one location
5 between the two wells is influenced by at least two heat sources.

The term "fingering" generally refers to injected fluids bypassing portions of a formation because of variations in transport characteristics (e.g., permeability).

"Thermal conductivity" is generally defined as the property of a material that describes the rate at which heat flows, in steady state, between two surfaces of the material for a given temperature difference between the
10 two surfaces.

"Fluid pressure" is generally defined as a pressure generated by a fluid within a formation. "Lithostatic pressure" is sometimes referred to as lithostatic stress and is generally defined as a pressure within a formation equal to a weight per unit area of an overlying rock mass. "Hydrostatic pressure" is generally defined as a pressure within a formation exerted by a column of water.

"Condensable hydrocarbons" means the hydrocarbons that condense at 25 °C at one atmosphere absolute
15 pressure. Condensable hydrocarbons may include a mixture of hydrocarbons having carbon numbers greater than 4. "Non-condensable hydrocarbons" means the hydrocarbons that do not condense at 25 °C and one atmosphere absolute pressure. Non-condensable hydrocarbons may include hydrocarbons having carbon numbers less than 5.

"Olefins" are generally defined as unsaturated hydrocarbons having one or more non-aromatic carbon-to-
20 carbon double bonds.

"Urea" is generally described by a molecular formula of NH₂-CO-NH₂. Urea can be used as a fertilizer.

"Synthesis gas" is generally defined as a mixture including hydrogen and carbon monoxide used for synthesizing a wide range of compounds. Additional components of synthesis gas may include water, carbon dioxide, nitrogen, methane and other gases. Synthesis gas may be generated by a variety of processes and
25 feedstocks.

"Reforming" is generally defined as the reaction of hydrocarbons (such as methane or naphtha) with steam to produce CO and H₂ as major products. Generally it is conducted in the presence of a catalyst although it can be performed thermally without the presence of a catalyst.

"Sequestration" generally refers to storing a gas that is a by-product of a process rather than venting the
30 gas to the atmosphere.

The term "dipping" is generally defined as sloping downward or inclining from a plane parallel to the earth's surface, assuming the plane is flat (i.e., a "horizontal" plane). A "dip" is generally defined as an angle that a stratum or similar feature may make with a horizontal plane. A "steeply dipping" hydrocarbon containing formation generally refers to a hydrocarbon containing formation lying at an angle of at least 20° from a
35 horizontal plane. As used herein, "down dip" generally refers to downward along a direction parallel to a dip in a formation. As used herein, "up dip" generally refers to upward along a direction parallel to a dip of a formation. "Strike" refers to the course or bearing of hydrocarbon material that is normal to the direction of the dip.

The term "subsidence" is generally defined as downward movement of a portion of a formation relative to an initial elevation of the surface.

"Thickness" of a layer refers to the thickness of a cross-section of a layer, wherein the cross-section is
40 normal to a face of the layer.

WO 01/81239

PCT/US01/13452

"Coring" is generally defined as a process that generally includes drilling a hole into a formation and removing a substantially solid mass of the formation from the hole.

A "surface unit" is generally defined as an ex situ treatment unit.

"Middle distillates" generally refers to hydrocarbon mixtures with a boiling point range that may correspond substantially with that of kerosene and gas oil fractions obtained in a conventional atmospheric distillation of crude oil material. The middle distillate boiling point range may include temperatures between about 150 °C and about 360 °C, with a fraction boiling point between about 200 °C and about 360 °C. Middle distillates may be referred to as gas oil.

A "boiling point cut" is generally defined as a hydrocarbon liquid fraction that may be separated from hydrocarbon liquids when the hydrocarbon liquids are heated to a boiling point range of the fraction.

The term "selected mobilized section" refers to a section of a relatively permeable formation that is at an average temperature within a mobilization temperature range. The term "selected pyrolyzation section" refers to a section of a relatively permeable formation that is at an average temperature within a pyrolyzation temperature range.

"Enriched air" generally refers to air having a larger mole fraction of oxygen than air in the atmosphere. Enrichment of air is typically done to increase its combustion-supporting ability.

"Heavy hydrocarbons" are generally defined as viscous hydrocarbon fluids. Heavy hydrocarbons may include highly viscous hydrocarbon fluids such as heavy oil, tar, and/or asphalt. Heavy hydrocarbons may include carbon and hydrogen, as well as smaller concentrations of sulfur, oxygen, and nitrogen. Additional elements may also be present in heavy hydrocarbons in trace amounts. Heavy hydrocarbons may be classified by API gravity. Heavy hydrocarbons generally have an API gravity below about 20°. Heavy oil, for example, generally has an API gravity of about 10-20° whereas tar generally has an API gravity below about 10°. The viscosity of heavy hydrocarbons is generally greater than about 300 centipoise at 15 °C. Tar generally has a viscosity greater than about 10,000 centipoise at 15 °C. Heavy hydrocarbons may also include aromatics, or other complex ring hydrocarbons.

Heavy hydrocarbons may be found in a relatively permeable formation. The relatively permeable formation may include heavy hydrocarbons entrained in, for example, sand or carbonate. "Relatively permeable" is defined, with respect to formations or portions thereof, as an average permeability of 10 millidarcy or more (e.g., 10 or 100 millidarcy). "Relatively low permeability" is defined, with respect to formations or portions thereof, as an average permeability of less than about 10 millidarcy. One Darcy is equal to about 0.99 square micrometers. An impermeable layer generally has a permeability of less than about 0.1 millidarcy.

The term "upgrade" refers to increasing the API gravity of heavy hydrocarbons.

The phrase "off peak" times generally refers to times of operation where utility energy is less commonly used and, therefore, less expensive.

The term "low viscosity zone" generally refers to a section of a formation where at least a portion of the fluids are mobilized.

Tar contained in sand in a formation is generally referred to as a "tar sand formation."

"Thermal fracture" refers to fractures created in a formation caused by expansion or contraction of a formation and/or fluids within the formation, which is in turn caused by increasing/decreasing the temperature of the formation and/or fluids within the formation, and/or by increasing/decreasing a pressure of fluids within the formation due to heating.

"Vertical hydraulic fracture" refers to a fracture at least partially propagated along a vertical plane in a formation, wherein the fracture is created through injection of fluids into a formation.

Hydrocarbons in formations may be treated in various ways to produce many different products. In certain embodiments such formations may be treated in stages. FIG. 1 illustrates several stages of heating a hydrocarbon containing formation. FIG. 1 also depicts an example of yield (barrels of oil equivalent per ton) (y axis) of formation fluids from a hydrocarbon containing formation versus temperature (°C) (x axis) of the formation.

Desorption of methane and vaporization of water occurs during stage 1 heating in FIG. 1. For example, when a hydrocarbon containing formation is initially heated, hydrocarbons in the formation may desorb adsorbed methane. The desorbed methane may be produced from the formation. If the hydrocarbon containing formation is heated further, water within the hydrocarbon containing formation may be vaporized. In addition, the vaporized water may be produced from the formation. Heating of the formation through stage 1 is in many instances preferably performed as quickly as possible.

After stage 1 heating, the formation may be heated further such that a temperature within the formation reaches (at least) an initial pyrolyzation temperature (e.g., the temperature at the lower end of the temperature range shown as stage 2). A pyrolysis temperature range may vary depending on types of hydrocarbons within the formation. For example, a pyrolysis temperature range may include temperatures between about 250 °C and about 900 °C. In an alternative embodiment, a pyrolysis temperature range may include temperatures between about 270 °C to about 400 °C. Hydrocarbons within the formation may be pyrolyzed throughout stage 2.

Formation fluids including pyrolyzation fluids may be produced from the formation. The pyrolyzation fluids may include, but are not limited to, hydrocarbons, hydrogen, carbon dioxide, carbon monoxide, hydrogen sulfide, ammonia, nitrogen, water and mixtures thereof. As the temperature of the formation increases, the condensable hydrocarbons of produced formation fluid tends to decrease, and the formation will in many instances tend to produce mostly methane and hydrogen. If a hydrocarbon containing formation is heated throughout an entire pyrolysis range, the formation may produce only small amounts of hydrogen towards an upper limit of the pyrolysis range. After all of the available hydrogen is depleted, a minimal amount of fluid production from the formation will typically occur.

After pyrolysis of hydrocarbons, a large amount of carbon and some hydrogen may still be present in the formation. A significant portion of remaining carbon in the formation can be produced from the formation in the form of synthesis gas. Synthesis gas generation may take place during stage 3 heating as shown in FIG. 1. Stage 3 may include heating a hydrocarbon containing formation to a temperature sufficient to allow synthesis gas generation. For example, synthesis gas may be produced within a temperature range from about 400 °C to about 1200 °C. The temperature of the formation when the synthesis gas generating fluid is introduced to the formation will in many instances determine the composition of synthesis gas produced within the formation. If a synthesis gas generating fluid is introduced into a formation at a temperature sufficient to allow synthesis gas generation, then synthesis gas may be generated within the formation. The generated synthesis gas may be removed from the formation. A large volume of synthesis gas may be produced during generation of synthesis gas generation.

Depending on the amounts of fluid produced, total energy content of fluids produced from a hydrocarbon containing formation may in some instances stay relatively constant throughout pyrolysis and synthesis gas generation. For example, during pyrolysis, at relatively low formation temperatures, a significant portion of the produced fluid may be condensable hydrocarbons that have a high energy content. At higher pyrolysis

WO 01/81239

PCT/US01/13452

temperatures, however, less of the formation fluid may include condensable hydrocarbons, and more non-condensable formation fluids may be produced. In this manner, energy content per unit volume of the produced fluid may decline slightly during generation of predominantly non-condensable formation fluids. During synthesis gas generation, energy content per unit volume of produced synthesis gas declines significantly compared to energy content of pyrolyzation fluid. The volume of the produced synthesis gas, however, will in many instance increase substantially, thereby compensating for the decreased energy content.

As explained below, the van Krevelen diagram shown in FIG. 2 depicts a plot of atomic hydrogen to carbon ratio (y axis) versus atomic oxygen to carbon ratio (x axis) for various types of kerogen. This diagram shows the maturation sequence for various types of kerogen that typically occurs over geologic time due to temperature, pressure, and biochemical degradation. The maturation may be accelerated by heating in situ at a controlled rate and/or a controlled pressure.

A van Krevelen diagram may be useful for selecting a resource for practicing various embodiments described herein (see discussion below). Treating a formation containing kerogen in region 5 will in many instances produce, e.g., carbon dioxide, non-condensable hydrocarbons, hydrogen, and water, along with a relatively small amount of condensable hydrocarbons. Treating a formation containing kerogen in region 7 will in many instances produce, e.g., carbon condensable and non-condensable hydrocarbons, carbon dioxide, hydrogen, and water. Treating a formation containing kerogen in region 9 will in many instances produce, e.g., methane and hydrogen. A formation containing kerogen in region 7, for example, may in many instances be selected for treatment because doing so will tend to produce larger quantities of valuable hydrocarbons, and lower quantities of undesirable products such as carbon dioxide and water, since the region 7 kerogen has already undergone dehydration and/or decarboxylation over geological time. In addition, region 7 kerogen can also be further treated to make other useful products (e.g., methane, hydrogen, and/or synthesis gas) as such kerogen transforms to region 9 kerogen.

If a formation containing kerogen in region 5 or 7 was selected for treatment, then treatment pursuant to certain embodiments described herein would cause such kerogen to transform during treatment (see arrows in FIG. 2) to a region having a higher number (e.g., region 5 kerogen could transform to region 7 kerogen and possibly then to region 9 kerogen, or region 7 kerogen could transform to region 9 kerogen). Thus, certain embodiments described herein cause expedited maturation of kerogen, thereby allowing production of valuable products.

If region 5 kerogen, for example, is treated, then substantial carbon dioxide may be produced due to decarboxylation of hydrocarbons in the formation. In addition, treating region 5 kerogen may also produce some hydrocarbons (e.g., primarily methane). Treating region 5 kerogen may also produce substantial amounts of water due to dehydration of kerogen in the formation. Production of such compounds from a formation may leave residual hydrocarbons relatively enriched in carbon. Oxygen content of the hydrocarbons will in many instances decrease faster than a hydrogen content of the hydrocarbons during production of such compounds. Therefore, as shown in FIG. 2, production of such compounds may result in a larger decrease in the atomic oxygen to carbon ratio than a decrease in the atomic hydrogen to carbon ratio (see region 5 arrows in FIG. 2 which depict more horizontal than vertical movement).

If region 7 kerogen is treated, then typically at least some of the hydrocarbons in the formation are pyrolyzed to produce condensable and non-condensable hydrocarbons. For example, treating region 7 kerogen may result in production of oil from hydrocarbons, as well as some carbon dioxide and water (albeit generally less

WO 01/81239

PCT/US01/13452

carbon dioxide and water than is produced when the region 5 kerogen is treated). Therefore, the atomic hydrogen to carbon ratio of the kerogen will in many instances decrease rapidly as the kerogen in region 7 is treated. The atomic oxygen to carbon ratio of the region 7 kerogen, however, will in many instances decrease much slower than the atomic hydrogen to carbon ratio of the region 7 kerogen.

5 Kerogen in region 9 may be treated to generate methane and hydrogen. For example, if such kerogen was previously treated (e.g., it was previously region 7 kerogen), then after pyrolysis longer hydrocarbon chains of the hydrocarbons may have already cracked and produced from the formation. Carbon and hydrogen, however, may still be present in the formation.

10 If kerogen in region 9 were heated to a synthesis gas generating temperature and a synthesis gas generating fluid (e.g., steam) were added to the region 9 kerogen, then at least a portion of remaining hydrocarbons in the formation may be produced from the formation in the form of synthesis gas. For region 9 kerogen, the atomic hydrogen to carbon ratio and the atomic oxygen to carbon ratio in the hydrocarbons may significantly decrease as the temperature rises. In this manner, hydrocarbons in the formation may be transformed into relatively pure carbon in region 9. Heating region 9 kerogen to still higher temperatures will tend to
15 transform such kerogen into graphite 11.

A hydrocarbon containing formation may have a number of properties that will depend on, for example, a composition of at least some of the hydrocarbons within the formation. Such properties tend to affect the composition and amount of products that are produced from a hydrocarbon containing formation. Therefore, properties of a hydrocarbon containing formation can be used to determine if and/or how a hydrocarbon
20 containing formation could optimally be treated.

Kerogen is composed of organic matter that has been transformed due to a maturation process. Hydrocarbon containing formations that include kerogen include, but are not limited to, coal containing formations and oil shale containing formations. Examples of hydrocarbon containing formations that may not include kerogen are formations containing heavy hydrocarbons (e.g., tar sands). The maturation process may
25 include two stages: a biochemical stage and a geochemical stage. The biochemical stage typically involves degradation of organic material by both aerobic and anaerobic organisms. The geochemical stage typically involves conversion of organic matter due to temperature changes and significant pressures. During maturation, oil and gas may be produced as the organic matter of the kerogen is transformed.

The van Krevelen diagram shown in FIG. 2 classifies various natural deposits of kerogen. For example,
30 kerogen may be classified into four distinct groups: type I, type II, type III, and type IV, which are illustrated by the four branches of the van Krevelen diagram. This drawing shows the maturation sequence for kerogen, which typically occurs over geological time due to temperature and pressure. The types depend upon precursor materials of the kerogen. The precursor materials transform over time into macerals, which are microscopic structures that have different structures and properties based on the precursor materials from which they are derived. Oil shale
35 may be described as a kerogen type I or type II and may primarily contain macerals from the liptinite group. Liptinites are derived from plants, specifically the lipid rich and resinous parts. The concentration of hydrogen within liptinite may be as high as 9 weight %. In addition, liptinite has a relatively high hydrogen to carbon ratio and a relatively low atomic oxygen to carbon ratio. A type I kerogen may also be further classified as an alginite, since type I kerogen may include primarily algal bodies. Type I kerogen may result from deposits made in
40 lacustrine environments. Type II kerogen may develop from organic matter that was deposited in marine environments.

WO 01/81239

PCT/US01/13452

Type III kerogen may generally include vitrinite macerals. Vitrinite is derived from cell walls and/or woody tissues (e.g., stems, branches, leaves and roots of plants). Type III kerogen may be present in most humic coals. Type III kerogen may develop from organic matter that was deposited in swamps. Type IV kerogen includes the inertinite maceral group. This group is composed of plant material such as leaves, bark and stems that have undergone oxidation during the early peat stages of burial diagenesis. It is chemically similar to vitrinite but has a high carbon and low hydrogen content. Thus, it is considered inert.

The dashed lines in FIG. 2 correspond to vitrinite reflectance. The vitrinite reflectance is a measure of maturation. As kerogen undergoes maturation, the composition of the kerogen usually changes. For example, as kerogen undergoes maturation, volatile matter of kerogen tends to decrease. Rank classifications of kerogen indicate the level to which kerogen has matured. For example, as kerogen undergoes maturation, the rank of kerogen increases. Therefore, as rank increases, the volatile matter of kerogen tends to decrease. In addition, the moisture content of kerogen generally decreases as the rank increases. At higher ranks, however, the moisture content may become relatively constant. For example, higher rank kerogens that have undergone significant maturation, such as semi-anthracite or anthracite coal, tend to have a higher carbon content and a lower volatile matter content than lower rank kerogens such as lignite. For example, rank stages of coal containing formations include the following classifications, which are listed in order of increasing rank and maturity for type III kerogen: wood, peat, lignite, sub-bituminous coal, high volatile bituminous coal, medium volatile bituminous coal, low volatile bituminous coal, semi-anthracite, and anthracite. In addition, as rank increases, kerogen tends to exhibit an increase in aromatic nature.

Hydrocarbon containing formations may be selected for in situ treatment based on properties of at least a portion of the formation. For example, a formation may be selected based on richness, thickness, and depth (i.e., thickness of overburden) of the formation. In addition, a formation may be selected that will have relatively high quality fluids produced from the formation. In certain embodiments the quality of the fluids to be produced may be assessed in advance of treatment, thereby generating significant cost savings since only more optimal formations will be selected for treatment. Properties that may be used to assess hydrocarbons in a formation include, but are not limited to, an amount of hydrocarbon liquids that tend to be produced from the hydrocarbons, a likely API gravity of the produced hydrocarbon liquids, an amount of hydrocarbon gas that tend to be produced from the hydrocarbons, and/or an amount of carbon dioxide and water that tend to be produced from the hydrocarbons.

Another property that may be used to assess the quality of fluids produced from certain kerogen containing formations is vitrinite reflectance. Such formations include, but are not limited to, coal containing formations and oil shale containing formations. Hydrocarbon containing formations that include kerogen can typically be assessed/selected for treatment based on a vitrinite reflectance of the kerogen. Vitrinite reflectance is often related to a hydrogen to carbon atomic ratio of a kerogen and an oxygen to carbon atomic ratio of the kerogen, as shown by the dashed lines in Fig. 2. For example, a van Krevelen diagram may be useful in selecting a resource for an in situ conversion process.

Vitrinite reflectance of a kerogen in a hydrocarbon containing formation tends to indicate which fluids may be produced from a formation upon heating. For example, a vitrinite reflectance of approximately 0.5 % to approximately 1.5 % tends to indicate a kerogen that, upon heating, will produce fluids as described in region 7 above. Therefore, if a hydrocarbon containing formation having such kerogen is heated, a significant amount (e.g., majority) of the fluid produced by such heating will often include oil and other such hydrocarbon fluids. In

WO 01/81239

PCT/US01/13452

addition, a vitrinite reflectance of approximately 1.5 % to 3.0 % may indicate a kerogen in region 9 as described above. If a hydrocarbon containing formation having such kerogen is heated, a significant amount (e.g., majority) of the fluid produced by such heating may include methane and hydrogen (and synthesis gas, if, for example, the temperature is sufficiently high and steam is injected). In an embodiment, at least a portion of a hydrocarbon containing formation selected for treatment in situ has a vitrinite reflectance in a range between about 0.2 % and about 3.0 %. Alternatively, at least a portion of a hydrocarbon containing formation selected for treatment has a vitrinite reflectance from about 0.5 % to about 2.0 %, and, in some circumstances, the vitrinite reflectance may range from about 0.5 % to 1.0 %. Such ranges of vitrinite reflectance tend to indicate that relatively higher quality formation fluids will be produced from the formation.

In an embodiment, a hydrocarbon containing formation may be selected for treatment based on a hydrogen content within the hydrocarbons in the formation. For example, a method of treating a hydrocarbon containing formation may include selecting a portion of the hydrocarbon containing formation for treatment having hydrocarbons with a hydrogen content greater than about 3 weight %, 3.5 weight %, or 4 weight % when measured on a dry, ash-free basis. In addition, a selected section of a hydrocarbon containing formation may include hydrocarbons with an atomic hydrogen to carbon ratio that falls within a range from about 0.5 to about 2, and in many instances from about 0.70 to about 1.65.

Hydrogen content of a hydrocarbon containing formation may significantly affect a composition of hydrocarbon fluids produced from a formation. For example, pyrolysis of at least some of the hydrocarbons within the heated portion may generate hydrocarbon fluids that may include a double bond or a radical. Hydrogen within the formation may reduce the double bond to a single bond. In this manner, reaction of generated hydrocarbon fluids with each other and/or with additional components in the formation may be substantially inhibited. For example, reduction of a double bond of the generated hydrocarbon fluids to a single bond may reduce polymerization of the generated hydrocarbons. Such polymerization tends to reduce the amount of fluids produced.

In addition, hydrogen within the formation may also neutralize radicals in the generated hydrocarbon fluids. In this manner, hydrogen present in the formation may substantially inhibit reaction of hydrocarbon fragments by transforming the hydrocarbon fragments into relatively short chain hydrocarbon fluids. The hydrocarbon fluids may enter a vapor phase and may be produced from the formation. The increase in the hydrocarbon fluids in the vapor phase may significantly reduce a potential for producing less desirable products within the selected section of the formation.

It is believed that if too little hydrogen is present in the formation, then the amount and quality of the produced fluids will be negatively affected. If too little hydrogen is naturally present, then in some embodiments hydrogen or other reducing fluids may be added to the formation.

When heating a portion of a hydrocarbon containing formation, oxygen within the portion may form carbon dioxide. It may be desirable to reduce the production of carbon dioxide and other oxides. In an embodiment, production of carbon dioxide may be reduced by selecting and treating a portion of a hydrocarbon containing formation having a vitrinite reflectance of greater than about 0.5 %. In addition, an amount of carbon dioxide produced from a formation may vary depending on, for example, an oxygen content of a treated portion of the hydrocarbon containing formation. Certain embodiments may thus include selecting and treating a portion of the formation having a kerogen with an atomic oxygen weight percentage of less than about 20 %, 15 %, and/or 10 %. In addition, certain embodiments may include selecting and processing a formation containing kerogen

WO 01/81239

PCT/US01/13452

with an atomic oxygen to carbon ratio of less than about 0.15. Alternatively, at least some of the hydrocarbons in a portion of a formation selected for treatment may have an atomic oxygen to carbon ratio of about 0.03 to about 0.12. In this manner, production of carbon dioxide and other oxides from an in situ conversion process for hydrocarbons may be reduced.

5 Heating a hydrocarbon containing formation may include providing a large amount of energy to heat sources located within the formation. Hydrocarbon containing formations may contain water. Water present in the hydrocarbon containing formation will tend to further increase the amount of energy required to heat a hydrocarbon containing formation. In this manner, water tends to hinder efficient heating of the formation. For example, a large amount of energy may be required to evaporate water from a hydrocarbon containing formation.
10 Thus, an initial rate of temperature increase may be reduced by the presence of water in the formation. Therefore, excessive amounts of heat and/or time may be required to heat a formation having a high moisture content to a temperature sufficient to allow pyrolysis of at least some of the hydrocarbons in the formation. In an embodiment, an in situ conversion process for hydrocarbons may include selecting a portion of the hydrocarbon containing formation for treatment having an initial moisture content of less than about 15 % by weight (in some
15 embodiments dewatering wells may be used to reduce the water content of the formation). Alternatively, an in situ conversion process for hydrocarbons may include selecting a portion of the hydrocarbon containing formation for treatment having an initial moisture content of less than about 10 % by weight.

In an embodiment, a hydrocarbon containing formation may be selected for treatment based on additional factors such as a thickness of hydrocarbon containing layer within the formation and assessed liquid
20 production content. For example, a hydrocarbon containing formation may include multiple layers. Such layers may include hydrocarbon containing layers, and also layers that may be hydrocarbon free or have substantially low amounts of hydrocarbons. Each of the hydrocarbon containing layers may have a thickness that may vary depending on, for example, conditions under which the hydrocarbon containing layer was formed. Therefore, a hydrocarbon containing formation will typically be selected for treatment if that formation includes at least one
25 hydrocarbon containing layer having a thickness sufficient for economical production of formation fluids. A formation may also be chosen if the thickness of several layers that are closely spaced together is sufficient for economical production of formation fluids. Other formations may also be chosen based on a richness of the hydrocarbon resource within the soil, even if the thickness of the resource is relatively thin.

In addition, a layer of a hydrocarbon containing formation may be selected for treatment based on a
30 thickness of the hydrocarbon containing layer, and/or a total thickness of hydrocarbon containing layers in a formation. For example, an in situ conversion process for hydrocarbons may include selecting and treating a layer of a hydrocarbon containing formation having a thickness of greater than about 2 m, 3 m, and/or 5 m. In this manner, heat losses (as a fraction of total injected heat) to layers formed above and below a layer of hydrocarbons may be less than such heat losses from a thin layer of hydrocarbons. A process as described herein, however, may
35 also include selecting and treating layers that may include layers substantially free of hydrocarbons and thin layers of hydrocarbons.

Each of the hydrocarbon containing layers may also have a potential formation fluid yield that may vary depending on, for example, conditions under which the hydrocarbon containing layer was formed, an amount of hydrocarbons in the layer, and/or a composition of hydrocarbons in the layer. A potential formation fluid yield
40 may be measured, for example, by the Fischer Assay. The Fischer Assay is a standard method which involves heating a sample of a hydrocarbon containing layer to approximately 500 °C in one hour, collecting products

WO 01/81239

PCT/US01/13452

produced from the heated sample, and quantifying the amount of products produced. A sample of a hydrocarbon containing layer may be obtained from a hydrocarbon containing formation by a method such as coring or any other sample retrieval method.

5 FIG. 3 shows a schematic view of an embodiment of a portion of an in situ conversion system for treating a hydrocarbon containing formation. Heat sources 100 may be placed within at least a portion of the hydrocarbon containing formation. Heat sources 100 may include, for example, electrical heaters such as insulated conductors, conductor-in-conduit heaters, surface burners, flameless distributed combustors, and/or natural distributed combustors. Heat sources 100 may also include other types of heaters. Heat sources 100 are configured to provide heat to at least a portion of a hydrocarbon containing formation. Energy may be supplied to
10 the heat sources 100 through supply lines 102. The supply lines may be structurally different depending on the type of heat source or heat sources being used to heat the formation. Supply lines for heat sources may transmit electricity for electrical heaters, may transport fuel for combustors, or may transport heat exchange fluid that is circulated within the formation.

Production wells 104 may be used to remove formation fluid from the formation. Formation fluid
15 produced from the production wells 104 may be transported through collection piping 106 to treatment facilities 108. Formation fluids may also be produced from heat sources 100. For example, fluid may be produced from heat sources 100 to control pressure within the formation adjacent to the heat sources. Fluid produced from heat sources 100 may be transported through tubing or piping to the collection piping 106 or the produced fluid may be transported through tubing or piping directly to the treatment facilities 108. The treatment facilities 108 may
20 include separation units, reaction units, upgrading units, fuel cells, turbines, storage vessels, and other systems and units for processing produced formation fluids.

An in situ conversion system for treating hydrocarbons may include dewatering wells 110 (wells shown with reference number 110 may, in some embodiments, be capture and/or isolation wells). Dewatering wells 110 or vacuum wells may be configured to remove and inhibit liquid water from entering a portion of a hydrocarbon
25 containing formation to be heated, or to a formation being heated. A plurality of water wells may surround all or a portion of a formation to be heated. In the embodiment depicted in FIG. 3, the dewatering wells 110 are shown extending only along one side of heat sources 100, but dewatering wells typically encircle all heat sources 100 used, or to be used, to heat the formation.

Dewatering wells 110 may be placed in one or more rings surrounding selected portions of the formation.
30 New dewatering wells may need to be installed as an area being treated by the in situ conversion process expands. An outermost row of dewatering wells may inhibit a significant amount of water from flowing into the portion of formation that is heated or to be heated. Water produced from the outermost row of dewatering wells should be substantially clean, and may require little or no treatment before being released. An innermost row of dewatering wells may inhibit water that bypasses the outermost row from flowing into the portion of formation that is heated
35 or to be heated. The innermost row of dewatering wells may also inhibit outward migration of vapor from a heated portion of the formation into surrounding portions of the formation. Water produced by the innermost row of dewatering wells may include some hydrocarbons. The water may need to be treated before being released. Alternately, water with hydrocarbons may be stored and used to produce synthesis gas from a portion of formation during a synthesis gas phase of the in situ conversion process. The dewatering wells may reduce heat
40 loss to surrounding portions of the formation, may increase production of vapors from the heated portion, and may inhibit contamination of a water table proximate the heated portion of the formation.

WO 01/81239

PCT/US01/13452

In an alternative embodiment, a fluid (e.g., liquid or gas) may be injected in the innermost row of wells, allowing a selected pressure to be maintained in or about the pyrolysis zone. Additionally, this fluid may act as an isolation barrier between the outermost wells and the pyrolysis fluids, thereby improving the efficiency of the dewatering wells.

5 The hydrocarbons to be treated may be located under a large area. The in situ conversion system may be used to treat small portions of the formation, and other sections of the formation may be treated as time progresses. In an embodiment of a system for treating an oil shale containing formation, a field layout for 24 years of development may be divided into 24 individual plots that represent individual drilling years. Each plot may include 120 "tiles" (repeating matrix patterns) wherein each tile is made of 6 rows by 20 columns. Each tile
10 may include 1 production well and 12 or 18 heater wells. The heater wells may be placed in an equilateral triangle pattern with, for example, a well spacing of about 12 m. Production wells may be located in centers of equilateral triangles of heater wells, or the production wells may be located approximately at a midpoint between two adjacent heater wells.

In certain embodiments, heat sources will be placed within a heater well formed within a hydrocarbon containing formation. The heater well may include an opening through an overburden of the formation and into at least one hydrocarbon containing section of the formation. Alternatively, as shown in FIG. 3a, heater well 224 may include an opening in formation 222 that may have a shape substantially similar to a helix or spiral. A spiral configuration for a heater well may in some embodiments increase the transfer of heat from the heat source and/or allow the heat source to expand when heated, without buckling or other modes of failure.. In some embodiments,
15 such a heater well may also include a substantially straight section through overburden 220. Use of a straight heater well through the overburden may decrease heat loss to the overburden.

In an alternative embodiment, as shown in FIG. 3b, heat sources may be placed into heater well 224 that may include an opening in formation 222 having a shape substantially similar to a "U" (the "legs" of the "U" may be wider or more narrow depending on the embodiments used). First portion 226 and third portion 228 of heater well 224 may be arranged substantially perpendicular to an upper surface of formation 222. In addition, the first and the third portion of the heater well may extend substantially vertically through overburden 220. Second portion 230 of heater well 224 may be substantially parallel to the upper surface of the formation.
25

In addition, multiple heat sources (e.g., 2, 3, 4, 5, 10 heat sources or more) may extend from a heater well in some situations. For example, as shown in FIG. 3c, heat sources 232, 234, and 236 may extend through overburden 220 into formation 222 from heater well 224. Such situations may occur when surface considerations (e.g., aesthetics, surface land use concerns, and/or unfavorable soil conditions near the surface) make it desirable to concentrate the surface facilities in fewer locations. For example, in areas where the soil is frozen and/or marshy it may be more cost-effective to have surface facilities located in a more centralized location.
30

In certain embodiments a first portion of a heater well may extend from a surface of the ground, through an overburden, and into a hydrocarbon containing formation. A second portion of the heater well may include one or more heater wells in the hydrocarbon containing formation. The one or more heater wells may be disposed within the hydrocarbon containing formation at various angles. In some embodiments, at least one of heater wells may be disposed substantially parallel to a boundary of the hydrocarbon containing formation. In alternate embodiments, at least one of the heater wells may be substantially perpendicular to the hydrocarbon containing formation. In addition, one of the one or more heater wells may be positioned at an angle between perpendicular and parallel to a layer in the formation.
35
40

FIG. 4 illustrates an embodiment of a hydrocarbon containing formation 200 that may be at a substantially near-horizontal angle with respect to an upper surface of the ground 204. An angle of hydrocarbon containing formation 200, however, may vary. For example, hydrocarbon containing formation 200 may be steeply dipping. Economically viable production of a steeply dipping hydrocarbon containing formation may not be possible using presently available mining methods. A relatively steeply dipping hydrocarbon containing formation, however, may be subjected to an in situ conversion process as described herein. For example, a single set of gas producing wells may be disposed near a top of a steeply dipping hydrocarbon containing formation. Such a formation may be heated by heating a portion of the formation proximate a top of the hydrocarbon containing formation and sequentially heating lower sections of the hydrocarbon containing formation. Gases may be produced from the hydrocarbon containing formation by transporting gases through the previously pyrolyzed hydrocarbons with minimal pressure loss.

In an embodiment, an in situ conversion process for hydrocarbons may include providing heat to at least a portion of a hydrocarbon containing formation that dips in sections. For example, a portion of the formation may include a dip that may include a minimum depth of the portion. A production well may be located in the portion of the hydrocarbon containing formation proximate the minimum depth. An additional production well may not be required in the portion. For example, as heat transfers through the hydrocarbon containing formation and at least some hydrocarbons in the portion pyrolyze, pyrolyzation fluids formed in the portion may travel through pyrolyzed sections of the hydrocarbon containing formation to the production well. As described herein, increased permeability due to in situ treatment of a hydrocarbon containing formation may increase transfer of vapors through the treated portion of the formation. Therefore, a number of production wells required to produce a mixture from the formation may be reduced. Reducing the number of production wells required for production may increase economic viability of an in situ conversion process.

In steeply dipping formations, directional drilling may be used to form an opening for a heater well in the formation. Directional drilling may include drilling an opening in which the route/course of the opening may be planned before drilling. Such an opening may usually be drilled with rotary equipment. In directional drilling, a route/course of an opening may be controlled by deflection wedges, etc.

Drilling heater well 202 may also include drilling an opening in the formation with a drill equipped with a steerable motor and an accelerometer that may be configured to follow hydrocarbon containing formation 200. For example, a steerable motor may be configured to maintain a substantially constant distance between heater well 202 and a boundary of hydrocarbon containing formation 200 throughout drilling of the opening. Drilling of heater well 202 with the steerable motor and the accelerometer may be relatively economical.

Alternatively, geosteered drilling may be used to drill heater well 202 into hydrocarbon containing formation 200. Geosteered drilling may include determining or estimating a distance from an edge of hydrocarbon containing formation 200 to heater well 202 with a sensor. The sensor may include, but may not be limited to, sensors that may be configured to determine a distance from an edge of hydrocarbon containing formation 200 to heater well 202. In addition, such a sensor may be configured to determine and monitor a variation in a characteristic of the hydrocarbon containing formation 200. Such sensors may include, but may not be limited to, sensors that may be configured to measure a characteristic of a hydrocarbon seam using resistance, gamma rays, acoustic pulses, and/or other devices. Geosteered drilling may also include forming an opening for a heater well with a drilling apparatus that may include a steerable motor. The motor may be controlled to maintain

WO 01/81239

PCT/US01/13452

a predetermined distance from an edge of a hydrocarbon containing formation. In an additional embodiment, drilling of a heater well or any other well in a formation may also include sonic drilling.

FIG. 5 illustrates an embodiment of a plurality of heater wells 210 formed in hydrocarbon containing formation 212. Hydrocarbon containing formation 212 may be a steeply dipping formation. One or more of the heater wells 210 may be formed in the formation such that two or more of the heater wells are substantially parallel to each other, and/or such that at least one heater well is substantially parallel to hydrocarbon containing formation 212. For example, one or more of the heater wells 210 may be formed in hydrocarbon containing formation 212 by a magnetic steering method. An example of a magnetic steering method is illustrated in U.S. Patent No. 5,676,212 to Kuckes, which is incorporated by reference as if fully set forth herein. Magnetic steering may include drilling heater well 210 parallel to an adjacent heater well. The adjacent well may have been previously drilled. In addition, magnetic steering may include directing the drilling by sensing and/or determining a magnetic field produced in an adjacent heater well. For example, the magnetic field may be produced in the adjacent heater well by flowing a current through an insulated current-carrying wireline disposed in the adjacent heater well. Alternatively, one or more of the heater wells 210 may be formed by a method as is otherwise described herein. A spacing between heater wells 210 may be determined according to any of the embodiments described herein.

In some embodiments, heated portion 310 may extend substantially radially from heat source 300, as shown in FIG. 6. For example, a width of heated portion 310, in a direction extending radially from heat source 300, may be about 0 m to about 10 m. A width of heated portion 310 may vary, however, depending upon, for example, heat provided by heat source 300 and the characteristics of the formation. Heat provided by heat source 300 will typically transfer through the heated portion to create a temperature gradient within the heated portion. For example, a temperature proximate the heater well will generally be higher than a temperature proximate an outer lateral boundary of the heated portion. A temperature gradient within the heated portion, however, may vary within the heated portion depending on, for example, the thermal conductivity of the formation.

As heat transfers through heated portion 310 of the hydrocarbon containing formation, a temperature within at least a section of the heated portion may be within a pyrolysis temperature range. In this manner, as the heat transfers away from the heat source, a front at which pyrolysis occurs will in many instances travel outward from the heat source. For example, heat from the heat source may be allowed to transfer into a selected section of the heated portion such that heat from the heat source pyrolyzes at least some of the hydrocarbons within the selected section. As such, pyrolysis may occur within selected section 315 of the heated portion, and pyrolyzation fluids will be generated from hydrocarbons in the selected section. An inner lateral boundary of selected section 315 may be radially spaced from the heat source. For example, an inner lateral boundary of selected section 315 may be radially spaced from the heat source by about 0 m to about 1 m. In addition, selected section 315 may have a width radially extending from the inner lateral boundary of the selected section. For example, a width of the selected section may be at least approximately 1.5 m, at least approximately 2.4 m, or even at least approximately 3.0 m. A width of the selected section, however, may also be greater than approximately 1.5 m and less than approximately 10 m.

After pyrolyzation of hydrocarbons in a portion of the selected section is complete, a section of spent hydrocarbons 317 may be generated proximate to the heat source.

In some embodiments, a plurality of heated portions may exist within a unit of heat sources. A unit of heat sources refers to a minimal number of heat sources that form a template that may be repeated to create a

WO 01/81239

PCT/US01/13452

pattern of heat sources within the formation. The heat sources may be located within the formation such that superposition (overlapping) of heat produced from the heat sources is effective. For example, as illustrated in FIG. 7, transfer of heat from two or more heat sources 330 results in superposition of heat 332 to be effective within an area defined by the unit of heat sources. Superposition may also be effective within an interior of a region defined by two, three, four, five, six or more heat sources. For example, an area in which superposition of heat 332 is effective includes an area to which significant heat is transferred by two or more heat sources of the unit of heat sources. An area in which superposition of heat is effective may vary depending upon, for example, the spacings between heat sources.

Superposition of heat may increase a temperature in at least a portion of the formation to a temperature sufficient for pyrolysis of hydrocarbon within the portion. In this manner, superposition of heat 332 tends to increase the amount of hydrocarbon in a formation that may be pyrolyzed. As such, a plurality of areas that are within a pyrolysis temperature range may exist within the unit of heat sources. The selected sections 334 may include areas at a pyrolysis temperature range due to heat transfer from only one heat source, as well as areas at a pyrolysis temperature range due to superposition of heat.

In addition, a pattern of heat sources will often include a plurality of units of heat sources. There will typically be a plurality of heated portions, as well as selected sections within the pattern of heat sources. The plurality of heated portions and selected sections may be configured as described herein. Superposition of heat within a pattern of heat sources may decrease the time necessary to reach pyrolysis temperatures within the multitude of heated portions. Superposition of heat may allow for a relatively large spacing between adjacent heat sources, which may in turn provide a relatively slow rate of heating of the hydrocarbon containing formation. In certain embodiments, superposition of heat will also generate fluids substantially uniformly from a heated portion of a hydrocarbon containing formation.

In certain embodiments, a majority of pyrolysis fluids may be produced when the selected section is within a range from about 0 m to about 25 m from a heat source.

As shown in FIG. 3, in addition to heat sources 100, one or more production wells 102 will typically be disposed within the portion of the hydrocarbon containing formation. Production well 102 may be configured such that a mixture that may include formation fluids may be produced through the production well. Production well 102 may also include a heat source. In this manner, the formation fluids may be maintained at a selected temperature throughout production, thereby allowing more or all of the formation fluids to be produced as vapors. Therefore high temperature pumping of liquids from the production well may be reduced or substantially eliminated, which in turn decreases production costs. Providing heating at or through the production well tends to: (1) prevent condensation and/or refluxing of production fluid when such production fluid is moving in the production well proximate to the overburden, (2) increase heat input into the formation, and/or (3) increase formation permeability at or proximate the production well.

Because permeability and/or porosity increase in the heated formation, produced vapors may flow considerable distances through the formation with relatively little pressure differential. Therefore, in some embodiments, production wells may be provided near an upper surface of the formation. Increases in permeability may result from a reduction of mass of the heated portion due to vaporization of water, removal of hydrocarbons, and/or creation of fractures. In this manner, fluids may more easily flow through the heated portion.

WO 01/81239

PCT/US01/13452

For example, fluid generated within a hydrocarbon containing formation may move a considerable distance through the hydrocarbon containing formation as a vapor. Such a considerable distance may include, for example, about 50 m to about 1000 m. The vapor may have a relatively small pressure drop across the considerable distance due to the permeability of the heated portion of the formation. In addition, due to such permeability, a production well may only need to be provided in every other unit of heat sources or every third, fourth, fifth, sixth units of heat sources. Furthermore, as shown in FIG. 4, production wells 206 may extend through a hydrocarbon containing formation near the top of heated portion 208.

Embodiments of production well 102 may include valves configured to alter, maintain, and/or control a pressure of at least a portion of the formation. Production wells may be cased wells that may have production screens or perforated casings adjacent to production zones. In addition, the production wells may be surrounded by sand, gravel or other packing material adjacent to production zones. Furthermore, production wells 102 may be coupled to treatment section 108, as shown in FIG. 3. Treatment section 108 may include any of the surface facilities as described herein.

In addition, water pumping wells or vacuum wells may be configured to remove liquid water from a portion of a hydrocarbon containing formation to be heated. Water removed from the formation may be used on the surface, and/or monitored for water quality. For example, a plurality of water wells may surround all or a portion of a formation to be heated. The plurality of water wells may be configured in one or more rings surrounding the portion of the formation. An outermost row of water wells may inhibit a significant amount of water from flowing into the portion to be heated. An innermost row of water wells may inhibit water that bypasses the outermost row from flowing into the portion to be heated. The innermost row of water wells may also inhibit outward migration of vapor from a heated portion of the formation into surrounding portions of the formation. In this manner, the water wells may reduce heat loss to surrounding portions of the formation, may increase production of vapors from the heated portion, and may inhibit contamination of a water table proximate to the heated portion of the formation. In some embodiments pressure differences between successive rows of dewatering wells may be minimized (e.g., maintained or near zero) to create a "no or low flow" boundary between rows.

In certain embodiments, wells initially used for one purpose may be later used for one or more other purposes, thereby lowering project costs and/or decreasing the time required to perform certain tasks. For instance, production wells (and in some circumstances heater wells) may initially be used as dewatering wells (e.g., before heating is begun and/or when heating is initially started). In addition, in some circumstances dewatering wells can later be used as production wells (and in some circumstances heater wells). As such, the dewatering wells may be placed and/or designed so that such wells can be later used as production wells and/or heater wells. The heater wells may be placed and/or designed so that such wells can be later used as production wells and/or dewatering wells. The production wells may be placed and/or designed so that such wells can be later used as dewatering wells and/or heater wells. Similarly, injection wells may be wells that initially were used for other purposes (e.g., heating, production, dewatering, monitoring, etc.), and injection wells may later be used for other purposes. Similarly, monitoring wells may be wells that initially were used for other purposes (e.g., heating, production, dewatering, injection, etc.), and monitoring wells may later be used for other purposes.

FIG. 8 illustrates a pattern of heat sources 400 and production wells 402 that may be configured to treat a hydrocarbon containing formation. Heat sources 400 may be arranged in a unit of heat sources such as triangular pattern 401. Heat sources 400, however, may be arranged in a variety of patterns including, but not limited to,

WO 01/81239

PCT/US01/13452

squares, hexagons, and other polygons. The pattern may include a regular polygon to promote uniform heating through at least the portion of the formation in which the heat sources are placed. The pattern may also be a line drive pattern. A line drive pattern generally includes a first linear array of heater wells, a second linear array of heater wells, and a production well or a linear array of production wells between the first and second linear array of heater wells.

A distance from a node of a polygon to a centroid of the polygon is smallest for a 3 sided polygon and increases with increasing number of sides of the polygon. The distance from a node to the centroid for an equilateral triangle is $(\text{length}/2)/(\text{square root}(3)/2)$ or 0.5774 times the length. For a square, the distance from a node to the centroid is $(\text{length}/2)/(\text{square root}(2)/2)$ or 0.7071 times the length. For a hexagon, the distance from a node to the centroid is $(\text{length}/2)(1/2)$ or the length. The difference in distance between a heat source and a mid point to a second heat sources $(\text{length}/2)$ and the distance from a heat source to the centroid for an equilateral pattern (0.5774 times the length) is significantly less for the equilateral triangle pattern than for any higher order polygon pattern. The small difference means that superposition of heat may develop more rapidly and that formation between heat sources may rise to a substantially more uniform temperature using an equilateral triangle pattern rather than a higher order polygon pattern.

Triangular patterns tend to provide more uniform heating to a portion of the formation in comparison to other patterns such as squares and/or hexagons. Triangular patterns tend to provide faster heating to a predetermined temperature in comparison to other patterns such as squares and/or hexagons. Triangle patterns may also result in a small volume of the portion that are overheated. A plurality of units of heat sources such as triangular pattern 401 may be arranged substantially adjacent to each other to form a repetitive pattern of units over an area of the formation. For example, triangular patterns 401 may be arranged substantially adjacent to each other in a repetitive pattern of units by inverting an orientation of adjacent triangles 401. Other patterns of heat sources 400 may also be arranged such that smaller patterns may be disposed adjacent to each other to form larger patterns.

Production wells may be disposed in the formation in a repetitive pattern of units. In certain embodiments, production well 402 may be disposed proximate to a center of every third triangle 401 arranged in the pattern. Production well 402, however, may be disposed in every triangle 401 or within just a few triangles. A production well may be placed within every 13, 20, or 30 heater well triangles. For example, a ratio of heat sources in the repetitive pattern of units to production wells in the repetitive pattern of units may be more than approximately 5 (e.g., more than 6, 7, 8, or 9). In addition, the placement of production well 402 may vary depending on the heat generated by one or more heat sources 400 and the characteristics of the formation (such as permeability). Furthermore, three or more production wells may be located within an area defined by a repetitive pattern of units. For example, as shown in FIG. 8, production wells 410 may be located within an area defined by repetitive pattern of units 412. Production wells 410 may be located in the formation in a unit of production wells. For example, the unit of production wells may be a triangular pattern. Production wells 410, however, may be disposed in another pattern within repetitive pattern of units 412.

In addition, one or more injection wells may be disposed within a repetitive pattern of units. The injection wells may be configured as described herein. For example, as shown in FIG. 8, injection wells 414 may be located within an area defined by repetitive pattern of units 416. Injection wells 414 may also be located in the formation in a unit of injection wells. For example, the unit of injection wells may be a triangular pattern. Injection wells 414, however, may be disposed in any other pattern as described herein. In certain embodiments,

WO 01/81239

PCT/US01/13452

one or more production wells and one or more injection wells may be disposed in a repetitive pattern of units. For example, as shown in FIG. 8, production wells 418 and injection wells 420 may be located within an area defined by repetitive pattern of units 422. Production wells 418 may be located in the formation in a unit of production wells, which may be arranged in a first triangular pattern. In addition, injection wells 420 may be located within the formation in a unit of production wells, which may be arranged in a second triangular pattern. The first triangular pattern may be substantially different than the second triangular pattern. For example, areas defined by the first and second triangular patterns may be substantially different.

In addition, one or more monitoring wells may be disposed within a repetitive pattern of units. The monitoring wells may be configured as described herein. For example, the wells may be configured with one or more devices that measure a temperature, a pressure, and/or a property of a fluid. In some embodiments, logging tools may be placed in monitoring well wellbores to measure properties within a formation. The logging tools may be moved to other monitoring well wellbores as needed. The monitoring well wellbores may be cased or uncased wellbores. As shown in FIG. 8, monitoring wells 424 may be located within an area defined by repetitive pattern of units 426. Monitoring wells 424 may be located in the formation in a unit of monitoring wells, which may be arranged in a triangular pattern. Monitoring wells 424, however, may be disposed in any of the other patterns as described herein within repetitive pattern of units 426.

It is to be understood that a geometrical pattern of heat sources 400 and production wells 402 is described herein by example. A pattern of heat sources and production wells will in many instances vary depending on, for example, the type of hydrocarbon containing formation to be treated. For example, for relatively thin layers heating wells may be aligned along one or more layers along strike or along dip. For relatively thick layers, heat sources may be configured at an angle to one or more layers (e.g., orthogonally or diagonally).

A triangular pattern of heat sources may be configured to treat a hydrocarbon containing formation having a thickness of about 10 meters or more. For a thinner hydrocarbon containing formation, e.g., about 10 meters thick or less, a line and/or staggered line pattern of heat sources may be configured to treat the hydrocarbon containing formation.

For certain thinner formations, heating wells may be placed closer to an edge of the formation (e.g., in a staggered line instead of line placed in the center of the layer) of the formation to increase the amount of hydrocarbons produced per unit of energy input. A portion of input heating energy may heat non-hydrocarbon containing formation, but the staggered pattern may allow superposition of heat to heat a majority of the hydrocarbon formation to pyrolysis temperatures. If the thin formation is heated by placing in the formation along a center of the thickness, a significant portion of the hydrocarbon containing formation may not be heated to pyrolysis temperatures. In some embodiments, placing heater wells closer to an edge of the formation may increase the volume of formation undergoing pyrolysis per unit of energy input.

In addition, the location of production well 402 within a pattern of heat sources 400 may be determined by, for example, a desired heating rate of the hydrocarbon containing formation, a heating rate of the heat sources, the type of heat sources used, the type of hydrocarbon containing formation (and its thickness), the composition of the hydrocarbon containing formation, the desired composition to be produced from the formation, and/or a desired production rate. Exact placement of heater wells, production wells, etc. will depend on variables specific to the formation (e.g., thickness of the layer, composition of the layer, etc.), project economics, etc. In certain embodiments heater wells may be substantially horizontal while production wells may be vertical, or vice versa.

WO 01/81239

PCT/US01/13452

Any of the wells described herein may be aligned along dip or strike, or oriented at an angle between dip and strike.

5 The spacing between heat sources may also vary depending on a number of factors that may include, but are not limited to, the type of a hydrocarbon containing formation, the selected heating rate, and/or the selected average temperature to be obtained within the heated portion. For example, the spacing between heat sources may be within a range of about 5 m to about 25 m. Alternatively, the spacing between heat sources may be within a range of about 8 m to about 15 m.

10 The spacing between heat sources may influence the composition of fluids produced from a hydrocarbon containing formation. In an embodiment, a computer-implemented method may be used to determine optimum heat source spacings within a hydrocarbon containing formation. For example, at least one property of a portion of hydrocarbon containing formation can usually be measured. The measured property may include, but is not limited to, vitrinite reflectance, hydrogen content, atomic hydrogen to carbon ratio, oxygen content, atomic oxygen to carbon ratio, water content, thickness of the hydrocarbon containing formation, and/or the amount of stratification of the hydrocarbon containing formation into separate layers of rock and hydrocarbons.

15 In certain embodiments a computer-implemented method may include providing at least one measured property to a computer system. One or more sets of heat source spacings in the formation may also be provided to the computer system. For example, a spacing between heat sources may be less than about 30 m. Alternatively, a spacing between heat sources may be less than about 15 m. The method may also include determining properties of fluids produced from the portion as a function of time for each set of heat source spacings. The produced fluids include, but are not limited to, formation fluids such as pyrolyzation fluids and synthesis gas. The determined properties may include, but are not limited to, API gravity, carbon number distribution, olefin content, hydrogen content, carbon monoxide content, and/or carbon dioxide content. The determined set of properties of the produced fluid may be compared to a set of selected properties of a produced fluid. In this manner, sets of properties that match the set of selected properties may be determined. Furthermore, heat source spacings may be
20 matched to heat source spacings associated with desired properties.

Unit cell 404 will often include a number of heat sources 400 disposed within a formation around each production well 402. An area of unit cell 404 may be determined by midlines 406 that may be equidistant and perpendicular to a line connecting two production wells 402. Vertices 408 of the unit cell may be at the intersection of two midlines 406 between production wells 402. Heat sources 400 may be disposed in any arrangement within the area of unit cell 404. For example, heat sources 400 may be located within the formation such that a distance between each heat source varies by less than approximately 10 %, 20 %, or 30 %. In addition, heat sources 400 may be disposed such that an approximately equal space exists between each of the heat sources. Other arrangements of heat sources 400 within unit cell 404, however, may be used depending on, for example, a heating rate of each of the heat sources. A ratio of heat sources 400 to production wells 402 may be determined
35 by counting the number of heat sources 400 and production wells 402 within unit cell 404, or over the total field.

FIG. 9 illustrates an embodiment of unit cell 404. Unit cell 404 includes heat sources 400 and production wells 402. Unit cell 404 may have six full heat sources 400a and six partial heat sources 400b. Full heat sources 400a may be closer to production well 402 than partial heat sources 400b. In addition, an entirety of each of the full heat sources 400 may be located within unit cell 404. Partial heat sources 400b may be partially disposed within unit cell 404. Only a portion of heat source 400b disposed within unit cell 404 may be configured
40 to provide heat to a portion of a hydrocarbon containing formation disposed within unit cell 404. A remaining

WO 01/81239

PCT/US01/13452

portion of heat source 400b disposed outside of unit cell 404 may be configured to provide heat to a remaining portion of the hydrocarbon containing formation outside of unit cell 404. Therefore, to determine a number of heat sources within unit cell 404 partial heat source 400b may be counted as one-half of full heat sources 400. In other unit cell embodiments, fractions other than 1/2 (e.g. 1/3) may more accurately describe the amount of heat applied to a portion from a partial heat source.

The total number of heat sources 400 in unit cell 404 may include six full heat sources 400a that are each counted as one heat source, and six partial heat sources 400b that are each counted as one half of a heat source. Therefore, a ratio of heat sources 400 to production wells 402 in unit cell 404 may be determined as 9:1. A ratio of heat sources to production wells may vary, however, depending on, for example, the desired heating rate of the hydrocarbon containing formation, the heating rate of the heat sources, the type of heat source, the type of hydrocarbon containing formation, the composition of hydrocarbon containing formation, the desired composition of the produced fluid, and/or the desired production rate. Providing more heat sources wells per unit area will allow faster heating of the selected portion and thus hastening the onset of production, however more heat sources will generally cost more money to install. An appropriate ratio of heat sources to production wells may also include ratios greater than about 5:1, and ratios greater than about 7:1. In some embodiments an appropriate ratio of heat sources to production wells may be about 10:1, 20:1, 50:1 or greater. If larger ratios are used, then project costs tend to decrease since less wells and equipment are needed.

A "selected section" would generally be the volume of formation that is within a perimeter defined by the location of the outermost heat sources (assuming that the formation is viewed from above). For example, if four heat sources were located in a single square pattern with an area of about 100 m² (with each source located at a corner of the square), and if the formation had an average thickness of approximately 5 m across this area, then the selected section would be a volume of about 500 m³ (i.e., the area multiplied by the average formation thickness across the area). In many commercial applications, it is envisioned that many (e.g., hundreds or thousands) heat sources would be adjacent to each other to heat a selected section, and therefore in such cases only the outermost (i.e., the "edge") heat sources would define the perimeter of the selected section.

A heat source may include, but is not limited to, an electric heater or a combustion heater. The electric heater may include an insulated conductor, an elongated member disposed in the opening, and/or a conductor disposed in conduit. Such an electric heater may be configured according to any of the embodiments described herein.

In an embodiment, a hydrocarbon containing formation may be heated with a natural distributed combustor system located in the formation. The generated heat may be allowed to transfer to a selected section of the formation to heat it.

A temperature sufficient to support oxidation may be, for example, at least about 200 °C or 250 °C. The temperature sufficient to support oxidation will tend to vary, however, depending on, for example, a composition of the hydrocarbons in the hydrocarbon containing formation, water content of the formation, and/or type and amount of oxidant. Some water may be removed from the formation prior to heating. For example, the water may be pumped from the formation by dewatering wells. The heated portion of the formation may be near or substantially adjacent to an opening in the hydrocarbon containing formation. The opening in the formation may be a heater well formed in the formation. The heater well may be formed as in any of the embodiments described herein. The heated portion of the hydrocarbon containing formation may extend radially from the opening to a width of about 0.3 m to about 1.2 m. The width, however, may also be less than about 0.9 m. A width of the heated portion may vary. In certain

WO 01/81239

PCT/US01/13452

embodiments the variance will depend on, for example, a width necessary to generate sufficient heat during oxidative of carbon to maintain the oxidation reaction without providing heat from an additional heat source.

After the portion of the formation reaches a temperature sufficient to support oxidation, an oxidizing fluid may be provided into the opening to oxidize at least a portion of the hydrocarbons at a reaction zone, or a heat source zone, within the formation. Oxidation of the hydrocarbons will generate heat at the reaction zone. The generated heat will in most embodiments transfer from the reaction zone to a pyrolysis zone in the formation. In certain embodiments the generated heat will transfer at a rate between about 650 watts per meter as measured along a depth of the reaction zone, and/or 1650 watts per meter as measured along a depth of the reaction zone. Upon oxidation of at least some of the hydrocarbons in the formation, energy supplied to the heater for initially heating may be reduced or may be turned off. As such, energy input costs may be significantly reduced, thereby providing a significantly more efficient system for heating the formation.

In an embodiment, a conduit may be disposed in the opening to provide the oxidizing fluid into the opening. The conduit may have flow orifices, or other flow control mechanisms (i.e., slits, venturi meters, valves, etc.) to allow the oxidizing fluid to enter the opening. The term "orifices" includes openings having a wide variety of cross-sectional shapes including, but not limited to, circles, ovals, squares, rectangles, triangles, slits, or other regular or irregular shapes. The flow orifices may be critical flow orifices in some embodiments. The flow orifices may be configured to provide a substantially constant flow of oxidizing fluid into the opening, regardless of the pressure in the opening.

In some embodiments, the number of flow orifices, which may be formed in or coupled to the conduit, may be limited by the diameter of the orifices and a desired spacing between orifices for a length of the conduit. For example, as the diameter of the orifices decreases, the number of flow orifices may increase, and vice versa. In addition, as the desired spacing increases, the number of flow orifices may decrease, and vice versa. The diameter of the orifices may be determined by, for example, a pressure in the conduit and/or a desired flow rate through the orifices. For example, for a flow rate of about 1.7 standard cubic meters per minute and a pressure of about 7 bar absolute, an orifice diameter may be about 1.3 mm with a spacing between orifices of about 2 m.

Smaller diameter orifices may plug more easily than larger diameter orifices due to, for example, contamination of fluid in the opening or solid deposition within or proximate to the orifices. In some embodiments, the number and diameter of the orifices can be chosen such that a more even or nearly uniform heating profile will be obtained along a depth of the formation within the opening. For example, a depth of a heated formation that is intended to have an approximately uniform heating profile may be greater than about 300 m, or even greater than about 600 m. Such a depth may vary, however, depending on, for example, a type of formation to be heated and/or a desired production rate.

In some embodiments, flow orifices may be disposed in a helical pattern around the conduit within the opening. The flow orifices may be spaced by about 0.3 m to about 3 m between orifices in the helical pattern. In some embodiments, the spacing may be about 1 m to about 2 m or, for example, about 1.5 m.

The flow of the oxidizing fluid into the opening may be controlled such that a rate of oxidation at the reaction zone is controlled. Transfer of heat between incoming oxidant and outgoing oxidation products may heat the oxidizing fluid. The transfer of heat may also maintain the conduit below a maximum operating temperature of the conduit.

FIG. 10 illustrates an embodiment of a natural distributed combustor configured to heat a hydrocarbon containing formation. Conduit 512 may be placed into opening 514 in formation 516. Conduit 512 may have

WO 01/81239

PCT/US01/13452

inner conduit 513. Oxidizing fluid source 508 may provide oxidizing fluid 517 into inner conduit 513. Inner conduit 513 may have critical flow orifices 515 along its length. Critical flow orifices 515 may be disposed in a helical pattern (or any other pattern) along a length of inner conduit 513 in opening 514. For example, critical flow orifices 515 may be arranged in a helical pattern with a distance of about 1 m to about 2.5 m between adjacent orifices. Critical flow orifices 515 may be further configured as described herein. Inner conduit 513 may be sealed at the bottom. Oxidizing fluid 517 may be provided into opening 514 through critical flow orifices 515 of inner conduit 513.

Critical flow orifices 515 may be designed such that substantially the same flow rate of oxidizing fluid 517 may be provided through each critical flow orifice. Critical flow orifices 515 may also provide substantially uniform flow of oxidizing fluid 517 along a length of conduit 512. Such flow may provide substantially uniform heating of formation 516 along the length of conduit 512.

Packing material 542 may enclose conduit 512 in overburden 540 of the formation. Packing material 542 may substantially inhibit flow of fluids from opening 514 to surface 550. Packing material 542 may include any material configurable to inhibit flow of fluids to surface 550 such as cement, sand, and/or gravel. Typically a conduit or an opening in the packing remains to provide a path for oxidation products to reach the surface.

Oxidation products 519 typically enter conduit 512 from opening 514. Oxidation products 519 may include carbon dioxide, oxides of nitrogen, oxides of sulfur, carbon monoxide, and/or other products resulting from a reaction of oxygen with hydrocarbons and/or carbon. Oxidation products 519 may be removed through conduit 512 to surface 550. Oxidation product 519 may flow along a face of reaction zone 524 in opening 514 until proximate an upper end of opening 514 where oxidation product 519 may flow into conduit 512. Oxidation products 519 may also be removed through one or more conduits disposed in opening 514 and/or in formation 516. For example, oxidation products 519 may be removed through a second conduit disposed in opening 514. Removing oxidation products 519 through a conduit may substantially inhibit oxidation products 519 from flowing to a production well disposed in formation 516. Critical flow orifices 515 may also be configured to substantially inhibit oxidation products 519 from entering inner conduit 513.

A flow rate of oxidation product 519 may be balanced with a flow rate of oxidizing fluid 517 such that a substantially constant pressure is maintained within opening 514. For a 100 m length of heated section, a flow rate of oxidizing fluid may be between about 0.5 standard cubic meters per minute to about 5 standard cubic meters per minute, or about 1.0 standard cubic meters per minute to about 4.0 standard cubic meters per minute, or, for example, about 1.7 standard cubic meters per minute. A flow rate of oxidizing fluid into the formation may be incrementally increased during use to accommodate expansion of the reaction zone. A pressure in the opening may be, for example, about 8 bar absolute. Oxidizing fluid 517 may oxidize at least a portion of the hydrocarbons in heated portion 518 of hydrocarbon containing formation 516 at reaction zone 524. Heated portion 518 may have been initially heated to a temperature sufficient to support oxidation by an electric heater, as shown in FIG. 14, or by any other suitable system or method described herein. In some embodiments, an electric heater may be placed inside or strapped to the outside of conduit 513.

In certain embodiments it is beneficial to control the pressure within the opening 514 such that oxidation product and/or oxidation fluids are inhibited from flowing into the pyrolysis zone of the formation. In some instances pressure within opening 514 will be balanced with pressure within the formation to do so.

Although the heat from the oxidation is transferred to the formation, oxidation product 519 (and excess oxidation fluid such as air) may be substantially inhibited from flowing through the formation and/or to a

WO 01/81239

PCT/US01/13452

production well within formation 516. Instead oxidation product 519 (and excess oxidation fluid) is removed (e.g., through a conduit such as conduit 512) as is described herein. In this manner, heat is transferred to the formation from the oxidation but exposure of the pyrolysis zone with oxidation product 519 and/or oxidation fluid may be substantially inhibited and/or prevented.

5 In certain embodiments, some pyrolysis product near the reaction zone 524 may also be oxidized in reaction zone 524 in addition to the carbon. Oxidation of the pyrolysis product in reaction zone 524 may provide additional heating of formation 516. When such oxidation of pyrolysis product occurs, it is desirable that oxidation product from such oxidation be removed (e.g., through a conduit such as conduit 512) near the reaction zone as is described herein, thereby inhibiting contamination of other pyrolysis product in the formation with
10 oxidation product.

Conduit 512 may be configured to remove oxidation product 519 from opening 514 in formation 516. As such, oxidizing fluid 517 in inner conduit 513 may be heated by heat exchange in overburden section 540 from oxidation product 519 in conduit 512. Oxidation product 519 may be cooled by transferring heat to oxidizing fluid 517. In this manner, oxidation of hydrocarbons within formation 516 may be more thermally efficient.

15 Oxidizing fluid 517 may transport through reaction zone 524, or heat source zone, by gas phase diffusion and/or convection. Diffusion of oxidizing fluid 517 through reaction zone 524 may be more efficient at the relatively high temperatures of oxidation. Diffusion of oxidizing fluid 517 may inhibit development of localized overheating and fingering in the formation. Diffusion of oxidizing fluid 517 through formation 516 is generally a mass transfer process. In the absence of an external force, a rate of diffusion for oxidizing fluid 517 may depend
20 upon concentration, pressure, and/or temperature of oxidizing fluid 517 within formation 516. The rate of diffusion may also depend upon the diffusion coefficient of oxidizing fluid 517 through formation 516. The diffusion coefficient may be determined by measurement or calculation based on the kinetic theory of gases. In general, random motion of oxidizing fluid 517 may transfer oxidizing fluid 517 through formation 516 from a region of high concentration to a region of low concentration.

25 With time, reaction zone 524 may slowly extend radially to greater diameters from opening 514 as hydrocarbons are oxidized. Reaction zone 524 may, in many embodiments, maintain a relatively constant width. For example, reaction zone 524 may extend radially at a rate of less than about 0.91 m per year for a hydrocarbon containing formation. For example, for a coal containing formation, reaction zone 524 may extend radially at a rate between about 0.5 m per year to about 1 m per year. For an oil shale containing formation, reaction zone 524
30 may extend radially about 2 m in the first year and at a lower rate in subsequent years due to an increase in volume of reaction zone 524 as reaction zone 524 extends radially. Such a lower rate may be about 1 m per year to about 1.5 m per year. Reaction zone 524 may extend at slower rates for hydrocarbon rich formations (e.g., coal) and at faster rates for formations with more inorganic material in it (e.g., oil shale) since more hydrocarbons per volume are available for combustion in the hydrocarbon rich formations.

35 A flow rate of oxidizing fluid 517 into opening 514 may be increased as a diameter of reaction zone 524 increases to maintain the rate of oxidation per unit volume at a substantially steady state. Thus, a temperature within reaction zone 524 may be maintained substantially constant in some embodiments. The temperature within reaction zone 524 may be between about 650 °C to about 900 °C or, for example, about 760 °C. The temperature may be maintained below a temperature that results in production of oxides of nitrogen (NO_x).

40 The temperature within reaction zone 524 may vary depending on, for example, a desired heating rate of selected section 526. The temperature within reaction zone 524 may be increased or decreased by increasing or

WO 01/81239

PCT/US01/13452

decreasing, respectively, a flow rate of oxidizing fluid 517 into opening 514. A temperature of conduit 512, inner conduit 513, and/or any metallurgical materials within opening 514 typically will not exceed a maximum operating temperature of the material. Maintaining the temperature below the maximum operating temperature of a material may inhibit excessive deformation and/or corrosion of the material.

5 An increase in the diameter of reaction zone 524 may allow for relatively rapid heating of the hydrocarbon containing formation 516. As the diameter of reaction zone 524 increases, an amount of heat generated per time in reaction zone 524 may also increase. Increasing an amount of heat generated per time in the reaction zone will in many instances increase heating rate of the formation 516 over a period of time, even without increasing the temperature in the reaction zone or the temperature at conduit 513. Thus, increased heating
10 may be achieved over time without installing additional heat sources, and without increasing temperatures adjacent to wellbores. In some embodiments the heating rates may be increased while allowing the temperatures to decrease (allowing temperatures to decrease may often lengthen the life of the equipment used).

By utilizing the carbon in the formation as a fuel, the natural distributed combustor may save significantly on energy costs. Thus, an economical process may be provided for heating formations that may
15 otherwise be economically unsuitable for heating by other methods. Also, fewer heaters may be placed over an extended area of formation 516. This may provide for a reduced equipment cost associated with heating the formation 516.

The heat generated at reaction zone 524 may transfer by thermal conduction to selected section 526 of formation 516. In addition, generated heat may transfer from a reaction zone to the selected section to a lesser
20 extent by convection heat transfer. Selected section 526, sometimes referred to herein as the "pyrolysis zone," may be substantially adjacent to reaction zone 524. Since oxidation product (and excess oxidation fluid such as air) is typically removed from the reaction zone, the pyrolysis zone can receive heat from the reaction zone without being exposed to oxidation product, or oxidants, that are in the reaction zone. Oxidation product and/or
25 oxidation fluids may cause the formation of undesirable formation products if they are present in the pyrolysis zone. For example, in certain embodiments it is desirable to conduct pyrolysis in a reducing environment. Thus, it is often useful to allow heat to transfer from the reaction zone to the pyrolysis zone while inhibiting or preventing oxidation product and/or oxidation fluid from reaching the pyrolysis zone.

Pyrolysis of hydrocarbons, or other heat-controlled processes, may take place in heated selected section 526. Selected section 526 may be at a temperature between about 270 °C to about 400 °C for pyrolysis. The
30 temperature of selected section 526 may be increased by heat transfer from reaction zone 524. A rate of temperature increase may be selected as in any of the embodiments described herein. A temperature in formation 516, selected section 526, and/or reaction zone 524 may be controlled such that production of oxides of nitrogen may be substantially inhibited. Oxides of nitrogen are often produced at temperatures above about 1200 °C.

A temperature within opening 514 may be monitored with a thermocouple disposed in opening 514.
35 Alternatively, a thermocouple may be disposed on conduit 512 and/or disposed on a face of reaction zone 524, and a temperature may be monitored accordingly. The temperature in the formation may be monitored by the thermocouple, and power input or oxidant introduced into the formation may be controlled based upon the monitored temperature such that the monitored temperature is maintained within a selected range. The selected range may vary, depending on, for example, a desired heating rate of formation 516. In an embodiment,
40 monitored temperature is maintained within a selected range by increasing or decreasing a flow rate of oxidizing fluid 517. For example, if a temperature within opening 514 falls below a selected range of temperatures, the

WO 01/81239

PCT/US01/13452

flow rate of oxidizing fluid 517 is increased to increase the combustion and thereby increase the temperature within opening 514.

In certain embodiments one or more natural distributed combustors may be placed along strike and/or horizontally. Doing so tends to reduce pressure differentials along the heated length of the well. The absence of pressure differentials may make controlling the temperature generated along a length of the heater more uniform and more easy to control.

In some embodiments, a presence of air or oxygen (O₂) in oxidation product 519 may be monitored. Alternatively, an amount of nitrogen, carbon monoxide, carbon dioxide, oxides of nitrogen, oxides of sulfur, etc. may be monitored in oxidation product 519. Monitoring the composition and/or quantity of oxidation product 519 may be useful for heat balances, for process diagnostics, process control, etc.

FIG. 11 illustrates an embodiment of a section of overburden with a natural distributed combustor as described in FIG. 10. Overburden casing 541 may be disposed in overburden 540 of formation 516. Overburden casing 541 may be substantially surrounded by materials (e.g., an insulating material such as cement) that may substantially inhibit heating of overburden 540. Overburden casing 541 may be made of a metal material such as, but not limited to, carbon steel, or 304 stainless steel.

Overburden casing may be placed in reinforcing material 544 in overburden 540. Reinforcing material 544 may be, for example, cement, sand, concrete, etc. Packing material 542 may be disposed between overburden casing 541 and opening 514 in the formation. Packing material 542 may be any substantially non-porous material (e.g., cement, concrete, grout, etc.). Packing material 542 may inhibit flow of fluid outside of conduit 512 and between opening 514 and surface 550. Inner conduit 513 may provide a fluid into opening 514 in formation 516. Conduit 512 may remove a combustion product (or excess oxidation fluid) from opening 514 in formation 516. Diameter of conduit 512 may be determined by an amount of the combustion product produced by oxidation in the natural distributed combustor. For example, a larger diameter may be required for a greater amount of exhaust product produced by the natural distributed combustor heater.

In an alternative embodiment, at least a portion of the formation may be heated to a temperature such that at least a portion of the hydrocarbon containing formation may be converted to coke and/or char. Coke and/or char may be formed at temperatures above about 400 °C and at a high heating rate (e.g., above about 10 °C/day). In the presence of an oxidizing fluid, the coke or char will oxidize. Heat may be generated from the oxidation of coke or char as in any of the embodiments described herein.

FIG. 12 illustrates an embodiment of a natural distributed combustor heater. Insulated conductor 562 may be coupled to conduit 532 and placed in opening 514 in formation 516. Insulated conductor 562 may be disposed internal to conduit 532 (thereby allowing retrieval of the insulated conductor 562), or, alternately, coupled to an external surface of conduit 532. Such insulating material may include, for example, minerals, ceramics, etc. Conduit 532 may have critical flow orifices 515 disposed along its length within opening 514. Critical flow orifices 515 may be configured as described herein. Electrical current may be applied to insulated conductor 562 to generate radiant heat in opening 514. Conduit 532 may be configured to serve as a return for current. Insulated conductor 562 may be configured to heat portion 518 of the formation to a temperature sufficient to support oxidation of hydrocarbons. Portion 518, reaction zone 524, and selected section 526 may have characteristics as described herein. Such a temperature may include temperatures as described herein.

Oxidizing fluid source 508 may provide oxidizing fluid into conduit 532. Oxidizing fluid may be provided into opening 514 through critical flow orifices 515 in conduit 532. Oxidizing fluid may oxidize at least

WO 01/81239

PCT/US01/13452

a portion of the hydrocarbon containing formation in reaction zone 524. Reaction zone 524 may have characteristics as described herein. Heat generated at reaction zone 524 may transfer heat to selected section 526, for example, by convection, radiation, and/or conduction. Oxidation product may be removed through a separate conduit placed in opening 514 or through an opening 543 in overburden casing 541. The separate conduit may be
5 configured as described herein. Packing material 542 and reinforcing material 544 may be configured as described herein.

FIG. 13 illustrates an embodiment of a natural distributed combustor heater with an added fuel conduit. Fuel conduit 536 may be disposed into opening 514. It may be disposed substantially adjacent to conduit 533 in certain embodiments. Fuel conduit 536 may have critical flow orifices 535 along its length within opening 514.
10 Conduit 533 may have critical flow orifices 515 along its length within opening 514. Critical flow orifices 515 may be configured as described herein. Critical flow orifices 535 and critical flow orifices 515 may be placed on fuel conduit 536 and conduit 533, respectively, such that a fuel fluid provided through fuel conduit 536 and an oxidizing fluid provided through conduit 533 may not substantially heat fuel conduit 536 and/or conduit 533 upon
15 reaction. For example, the fuel fluid and the oxidizing fluid may react upon contact with each other, thereby producing heat from the reaction. The heat from this reaction may heat fuel conduit 536 and/or conduit 533 to a temperature sufficient to substantially begin melting metallurgical materials in fuel conduit 536 and/or conduit 533 if the reaction takes place proximate to fuel conduit 536 and/or conduit 533. Therefore, a design for disposing critical flow orifices 535 on fuel conduit 536 and critical flow orifices 515 on conduit 533 may be provided such that the fuel fluid and the oxidizing fluid may not substantially react proximate to the conduits. For
20 example, conduits 536 and 533 may be spatially coupled together such that orifices that spiral around the conduits are oriented in opposite directions.

Reaction of the fuel fluid and the oxidizing fluid may produce heat. The fuel fluid may be, for example, natural gas, ethane, hydrogen or synthesis gas that is generated in the in situ process in another part of the formation. The produced heat may be configured to heat portion 518 to a temperature sufficient to support
25 oxidation of hydrocarbons. Upon heating of portion 518 to a temperature sufficient to support oxidation, a flow of fuel fluid into opening 514 may be turned down or may be turned off. Alternatively, the supply of fuel may be continued throughout the heating of the formation, thereby utilizing the stored heat in the carbon to maintain the temperature in opening 514 above the autoignition temperature of the fuel.

The oxidizing fluid may oxidize at least a portion of the hydrocarbons at reaction zone 524. Generated
30 heat will transfer heat to selected section 526, for example, by radiation, convection, and/or conduction. An oxidation product may be removed through a separate conduit placed in opening 514 or through an opening 543 in overburden casing 541.

FIG. 14 illustrates an embodiment of a system configured to heat a hydrocarbon containing formation. Electric heater 510 may be disposed within opening 514 in hydrocarbon containing formation 516. Opening 514
35 may be formed through overburden 540 into formation 516. Opening 514 may be at least about 5 cm in diameter. Opening 514 may, as an example, have a diameter of about 13 cm. Electric heater 510 may heat at least portion 518 of hydrocarbon containing formation 516 to a temperature sufficient to support oxidation (e.g., about 260 °C). Portion 518 may have a width of about 1 m. An oxidizing fluid (e.g., liquid or gas) may be provided into the opening through conduit 512 or any other appropriate fluid transfer mechanism. Conduit 512 may have critical
40 flow orifices 515 disposed along a length of the conduit. Critical flow orifices 515 may be configured as described herein.

WO 01/81239

PCT/US01/13452

For example, conduit 512 may be a pipe or tube configured to provide the oxidizing fluid into opening 514 from oxidizing fluid source 508. For example, conduit 512 may be a stainless steel tube. The oxidizing fluid may include air or any other oxygen containing fluid (e.g., hydrogen peroxide, oxides of nitrogen, ozone). Mixtures of oxidizing fluids may be used. An oxidizing fluid mixture may include, for example, a fluid including fifty percent oxygen and fifty percent nitrogen. The oxidizing fluid may also, in some embodiments, include compounds that release oxygen when heated such as hydrogen peroxide. The oxidizing fluid may oxidize at least a portion of the hydrocarbons in the formation.

In some embodiments, a heat exchanger disposed external to the formation may be configured to heat the oxidizing fluid. The heated oxidizing fluid may be provided into the opening from (directly or indirectly) the heat exchanger. For example, the heated oxidizing fluid may be provided from the heat exchanger into the opening through a conduit disposed in the opening and coupled to the heat exchanger. In some embodiments the conduit may be a stainless steel tube. The heated oxidizing fluid may be configured to heat, or at least contribute to the heating of, at least a portion of the formation to a temperature sufficient to support oxidation of hydrocarbons. After the heated portion reaches such a temperature, heating of the oxidizing fluid in the heat exchanger may be reduced or may be turned off.

FIG. 15 illustrates another embodiment of a system configured to heat a hydrocarbon containing formation. Heat exchanger 520 may be disposed external to opening 514 in hydrocarbon containing formation 516. Opening 514 may be formed through overburden 540 into formation 516. Heat exchanger 520 may provide heat from another surface process, or it may include a heater (e.g., an electric or combustion heater). Oxidizing fluid source 508 may provide an oxidizing fluid to heat exchanger 520. Heat exchanger 520 may heat an oxidizing fluid (e.g., above 200 °C or a temperature sufficient to support oxidation of hydrocarbons). The heated oxidizing fluid may be provided into opening 514 through conduit 521. Conduit 521 may have critical flow orifices 515 disposed along a length of the conduit. Critical flow orifices 515 may be configured as described herein. The heated oxidizing fluid may heat, or at least contribute to the heating of, at least portion 518 of the formation to a temperature sufficient to support oxidation of hydrocarbons. The oxidizing fluid may oxidize at least a portion of the hydrocarbons in the formation.

In another embodiment, a fuel fluid may be oxidized in a heater located external to a hydrocarbon containing formation. The fuel fluid may be oxidized with an oxidizing fluid in the heater. As an example, the heater may be a flame-ignited heater. A fuel fluid may include any fluid configured to react with oxygen. Fuel fluids may be, but are not limited to, methane, ethane, propane, other hydrocarbons, hydrogen, synthesis gas, or combinations thereof. The oxidized fuel fluid may be provided into the opening from the heater through a conduit and oxidation products and unreacted fuel may return to the surface through another conduit in the overburden. The conduits may be coupled within the overburden. In some embodiments, the conduits may be concentrically placed. The oxidized fuel fluid may be configured to heat, or at least contribute to the heating of, at least a portion of the formation to a temperature sufficient to support oxidation of hydrocarbons. Upon reaching such a temperature, the oxidized fuel fluid may be replaced with an oxidizing fluid. The oxidizing fluid may oxidize at least a portion of the hydrocarbons at a reaction zone within the formation.

An electric heater may be configured to heat a portion of the hydrocarbon containing formation to a temperature sufficient to support oxidation of hydrocarbons. The portion may be proximate to or substantially adjacent to the opening in the formation. The portion may also radially extend a width of less than approximately 1 m from the opening. A width of the portion may vary, however, depending on, for example, a power supplied

WO 01/81239

PCT/US01/13452

to the heater. An oxidizing fluid may be provided to the opening for oxidation of hydrocarbons. Oxidation of the hydrocarbons may be configured to heat the hydrocarbon containing formation in a process of natural distributed combustion. Electrical current applied to the electric heater may subsequently be reduced or may be turned off. Thus, natural distributed combustion may be configured, in conjunction with an electric heater, to provide a reduced input energy cost method to heat the hydrocarbon containing formation compared to using an electric heater.

An insulated conductor heater may be a heater element of a heat source. In an embodiment of an insulated conductor heater, the insulated conductor heater is a mineral insulated cable or rod. An insulated conductor heater may be placed in an opening in a hydrocarbon containing formation. The insulated conductor heater may be placed in an uncased opening in the hydrocarbon containing formation. Placing the heater in an uncased opening in the hydrocarbon containing formation may allow heat transfer from the heater to the formation by radiation, as well as, conduction. In addition, using an uncased opening may also allow retrieval of the heater from the well, if necessary, and may eliminate the cost of the casing. Alternately, the insulated conductor heater may be placed within a casing in the formation; may be cemented within the formation; or may be packed in an opening with sand, gravel, or other fill material. The insulated conductor heater may be supported on a support member positioned within the opening. The support member may be a cable, rod, or a conduit (e.g., a pipe). The support member may be made of a metal, ceramic, inorganic material, or combinations thereof. Portions of a support member may be exposed to formation fluids and heat during use, so the support member may be chemically resistant and thermally resistant.

Ties, spot welds and/or other types of connectors may be used to couple the insulated conductor heater to the support member at various locations along a length of the insulated conductor heater. The support member may be attached to a wellhead at an upper surface of the formation. In an alternate embodiment of an insulated conductor heater, the insulated conductor heater is designed to have sufficient structural strength so that a support member is not needed. The insulated conductor heater will in many instances have some flexibility to inhibit thermal expansion damage when heated or cooled.

In certain embodiments, insulated conductor heaters may be placed in wellbores without support members and/or centralizers. This can be accomplished for heaters if the insulated conductor has a suitable combination of temperature resistance, length, thickness (diameter) and metallurgy that will inhibit failure of the insulated conductor during use. In an embodiment, insulated conductors that are heated to working temperature of about 700 °C are less than about 150 meters in length, and have 3 mm diameter nichrome conductors are used without support members for the insulated conductors.

FIG. 16 depicts a perspective view of an end portion of an embodiment of an insulated conductor heater 562. An insulated conductor heater may have any desired cross sectional shape, such as, but not limited to round (as shown in FIG. 16), triangular, ellipsoidal, rectangular, hexagonal or irregular shape. An insulated conductor heater may include conductor 575, electrical insulation 576 and sheath 577. The conductor 575 may resistively heat when an electrical current passes through the conductor. An alternating or direct current may be used to heat the conductor 575. In an embodiment, a 60 cycle AC current may be used.

In some embodiments, the electrical insulation 576 may inhibit current leakage and may inhibit arcing to the sheath 577. The electrical insulation 576 may also thermally conduct heat generated in the conductor 575 to the sheath 577. The sheath 577 may radiate or conduct heat to the formation. An insulated conductor heater 562 may be 1000 m or more in length. In an embodiment of an insulated conductor heater, the insulated conductor

WO 01/81239

PCT/US01/13452

heater 562 may have a length from about 15 m to about 950 m. Longer or shorter insulated conductors may also be used to meet specific application needs. In embodiments of insulated conductor heaters, purchased insulated conductor heaters have lengths of about 100 m to 500 m (e.g., 230 m). In certain embodiments, dimensions of sheaths and/or conductors of an insulated conductor may be formed so that the insulated conductors have enough strength to be self supporting even at upper working temperatures. Such insulated cables may be suspended from wellheads or supports positioned near an interface between an overburden and a hydrocarbon containing formation without the need for support members extending into the hydrocarbon formation along with the insulated conductors.

In an embodiment, a higher frequency current may be used to take advantage of the skin effect in certain metals. In some embodiments, a 60 cycle AC current may be used in combination with conductors made of metals that exhibit pronounced skin effects. For example, ferromagnetic metals like iron alloys and nickel may exhibit a skin effect. The skin effect confines the current to a region close to the outer surface of the conductor, thereby effectively increasing the resistance of the conductor. A higher resistance may be desired to decrease the operating current, minimize ohmic losses in surface cables, and also minimize the cost of surface facilities.

As illustrated in FIG. 17, an insulated conductor heater 562 will in many instances be designed to operate at a power level of up to about 1650 watts/meter. The insulated conductor heater 562 may typically operate at a power level between about 500 watts/meter and about 1150 watts/meter when heating a formation. The insulated conductor heater 562 may be designed so that a maximum voltage level at a typical operating temperature does not cause substantial thermal and/or electrical breakdown of electrical insulation 576. The insulated conductor heater 562 may be designed so that the sheath 577 does not exceed a temperature that will result in a significant reduction in corrosion resistance properties of the sheath material.

In an embodiment of an insulated conductor heater 562, the conductor 575 may be designed to reach temperatures within a range between about 650 °C to about 870 °C, and the sheath 577 may be designed to reach temperatures within a range between about 535 °C to about 760 °C. Insulated conductors having other operating ranges may be formed to meet specific operational requirements. In an embodiment of an insulated conductor heater 562, the conductor 575 is designed to operate at about 760 °C, the sheath 577 is designed to operate at about 650 °C, and the insulated conductor heater is designed to dissipate about 820 watts/meter.

An insulated conductor heater 562 may have one or more conductors 575. For example, a single insulated conductor heater may have three conductors within electrical insulation that are surrounded by a sheath. FIG. 16 depicts an insulated conductor heater 562 having a single conductor 575. The conductor may be made of metal. The material used to form a conductor may be, but is not limited to, nichrome, nickel, and a number of alloys made from copper and nickel in increasing nickel concentrations from pure copper to Alloy 30, Alloy 60, Alloy 180 and Monel. Alloys of copper and nickel may advantageously have better electrical resistance properties than substantially pure nickel or copper.

In an embodiment, the conductor may be chosen to have a diameter and a resistivity at operating temperatures such that its resistance, as derived from Ohm's law, makes it electrically and structurally stable for the chosen power dissipation per meter, the length of the heater, and/or the maximum voltage allowed to pass through the conductor. In an alternate embodiment, the conductor may be designed, using Maxwell's equations, to make use of skin effect heating in and/or on the conductor.

The conductor may be made of different material along a length of the insulated conductor heater. For example, a first section of the conductor may be made of a material that has a significantly lower resistance than a

WO 01/81239

PCT/US01/13452

second section of the conductor. The first section may be placed adjacent to a formation layer that does not need to be heated to as high a temperature as a second formation layer that is adjacent to the second section. The resistivity of various sections of conductor may be adjusted by having a variable diameter and/or by having conductor sections made of different materials.

5 A diameter of a conductor 575 may typically be between about 1.3 mm to about 10.2 mm. Smaller or larger diameters may also be used to have conductors with desired resistivity characteristics. In an embodiment of an insulated conductor heater, the conductor is made of Alloy 60 that has a diameter of about 5.8 mm.

10 As illustrated in FIG. 16, an electrical insulator 576 of an insulated conductor heater 562 may be made of a variety of materials. Pressure may be used to place electrical insulator powder between a conductor 575 and a sheath 577. Low flow characteristics and other properties of the powder and/or the sheaths and conductors may inhibit the powder from flowing out of the sheaths. Commonly used powders may include, but are not limited to, MgO, Al₂O₃, Zirconia, BeO, different chemical variations of Spinel, and combinations thereof. MgO may provide good thermal conductivity and electrical insulation properties. The desired electrical insulation properties include low leakage current and high dielectric strength. A low leakage current decreases the possibility of thermal breakdown and the high dielectric strength decreases the possibility of arcing across the insulator. Thermal breakdown can occur if the leakage current causes a progressive rise in the temperature of the insulator leading also to arcing across the insulator. An amount of impurities 578 in the electrical insulator powder may be tailored to provide required dielectric strength and a low level of leakage current. The impurities 578 added may be, but are not limited to, CaO, Fe₂O₃, Al₂O₃, and other metal oxides. Low porosity of the electrical insulation tends to reduce leakage current and increase dielectric strength. Low porosity may be achieved by increased packing of the MgO powder during fabrication or by filling of the pore space in the MgO powder with other granular materials, for example, Al₂O₃.

15 The impurities 578 added to the electrical insulator powder may have particle sizes that are smaller than the particle sizes of the powdered electrical insulator. The small particles may occupy pore space between the larger particles of the electrical insulator so that the porosity of the electrical insulator is reduced. Examples of powdered electrical insulators that may be used to form electrical insulation 576 are "H" mix manufactured by Idaho Laboratories Corporation (Idaho Falls, Idaho), or Standard MgO used by Pyrotenax Cable Company (Trenton, Ontario) for high temperature applications. In addition, other powdered electrical insulators may be used.

20 The impurities 578 added to the electrical insulator powder may have particle sizes that are smaller than the particle sizes of the powdered electrical insulator. The small particles may occupy pore space between the larger particles of the electrical insulator so that the porosity of the electrical insulator is reduced. Examples of powdered electrical insulators that may be used to form electrical insulation 576 are "H" mix manufactured by Idaho Laboratories Corporation (Idaho Falls, Idaho), or Standard MgO used by Pyrotenax Cable Company (Trenton, Ontario) for high temperature applications. In addition, other powdered electrical insulators may be used.

30 A sheath 577 of an insulated conductor heater 562 may be an outer metallic layer. The sheath 577 may be in contact with hot formation fluids. The sheath 577 may need to be made of a material having a high resistance to corrosion at elevated temperatures. Alloys that may be used in a desired operating temperature range of the sheath include, but are not limited to, 304 stainless steel, 310 stainless steel, Incoloy 800, and Inconel 600. The thickness of the sheath has to be sufficient to last for three to ten years in a hot and corrosive environment. A thickness of the sheath may generally vary between about 1 mm and about 2.5 mm. For example, a 1.3 mm thick 310 stainless steel outer layer provides a sheath 577 that is able to provide good chemical resistance to sulfidation corrosion in a heated zone of a formation for a period of over 3 years. Larger or smaller sheath thicknesses may be used to meet specific application requirements.

35 An insulated conductor heater may be tested after fabrication. The insulated conductor heater may be required to withstand 2-3 times an operating voltage at a selected operating temperature. Also, selected samples of produced insulated conductor heaters may be required to withstand 1000 VAC at 760 °C for one month.

As illustrated in FIG. 17a, a short flexible transition conductor 571 may be connected to a lead-in conductor 572 using a connection 569 made during heater installation in the field. The transition conductor 571 may, for example, be a flexible, low resistivity, stranded copper cable that is surrounded by rubber or polymer insulation. A transition conductor 571 may typically be between about 1.5 m and about 3 m, although longer or shorter transition conductors may be used to accommodate particular needs. Temperature resistant cable may be used as transition conductor 571. The transition conductor 571 may also be connected to a short length of an insulated conductor heater that is less resistive than a primary heating section of the insulated conductor heater. The less resistive portion of the insulated conductor heater may be referred to as a "cold pin" 568.

A cold pin 568 may be designed to dissipate about one tenth to about one fifth of the power per unit length as is dissipated in a unit length of the primary heating section. Cold pins may typically be between about 1.5 m to about 15 m, although shorter or longer lengths may be used to accommodate specific application needs. In an embodiment, the conductor of a cold pin section is copper with a diameter of about 6.9 mm and a length of 9.1 m. The electrical insulation is the same type of insulation used in the primary heating section. A sheath of the cold pin may be made of Inconel 600. Chloride corrosion cracking in the cold pin region may occur, so a chloride corrosion resistant metal such as Inconel 600 may be used as the sheath.

As illustrated in FIG. 17a, a small, epoxy filled canister 573 may be used to create a connection between a transition conductor 571 and a cold pin 568. Cold pins 568 may be connected to the primary heating sections of insulated conductor 562 heaters by "splices" 567. The length of the cold pin 568 may be sufficient to significantly reduce a temperature of the insulated conductor heater 562. The heater section of the insulated conductor heater 562 may operate from about 530 °C to about 760 °C, the splice 567 may be at a temperature from about 260 °C to about 370 °C, and the temperature at the lead-in cable connection to the cold pin may be from about 40 °C to about 90 °C. In addition to a cold pin at a top end of the insulated conductor heater, a cold pin may also be placed at a bottom end of the insulated conductor heater. The cold pin at the bottom end may in many instances make a bottom termination easier to manufacture.

Splice material may have to withstand a temperature equal to half of a target zone operating temperature. Density of electrical insulation in the splice should in many instances be high enough to withstand the required temperature and the operating voltage.

A splice 567 may be required to withstand 1000 VAC at 480 °C. Splice material may be high temperature splices made by Idaho Laboratories Corporation or by Pyrotenax Cable Company. A splice may be an internal type of splice or an external splice. An internal splice is typically made without welds on the sheath of the insulated conductor heater. The lack of weld on the sheath may avoid potential weak spots (mechanical and/or electrical) on the insulated cable heater. An external splice is a weld made to couple sheaths of two insulated conductor heaters together. An external splice may need to be leak tested prior to insertion of the insulated cable heater into a formation. Laser welds or orbital TIG (tungsten inert gas) welds may be used to form external splices. An additional strain relief assembly may be placed around an external splice to improve the splice's resistance to bending and to protect the external splice against partial or total parting.

An insulated conductor assembly may include heating sections, cold pins, splices, and termination canisters and flexible transition conductors. The insulated conductor assembly may need to be examined and electrically tested before installation of the assembly into an opening in a formation. The assembly may need to be examined for competent welds and to make sure that there are no holes in the sheath anywhere along the whole heater (including the heated section, the cold-pins, the splices and the termination cans). Periodic X-ray spot

checking of the commercial product may need to be made. The whole cable may be immersed in water prior to electrical testing. Electrical testing of the assembly may need to show more than 2000 megaohms at 500 VAC at room temperature after water immersion. In addition, the assembly may need to be connected to 1000 VAC and show less than about 10 microamps per meter of resistive leakage current at room temperature. Also, a check on leakage current at about 760 °C may need to show less than about 0.4 milliamps per meter.

There are a number of companies that manufacture insulated conductor heaters. Such manufacturers include, but are not limited to, MI Cable Technologies (Calgary, Alberta), Pyrotenax Cable Company (Trenton, Ontario), Idaho Laboratories Corporation (Idaho Falls, Idaho), and Watlow (St. Louis, MO). As an example, an insulated conductor heater may be ordered from Idaho Laboratories as cable model 355-A90-310-“H” 30’/750’/30’ with Inconel 600 sheath for the cold-pins, three phase Y configuration and bottom jointed conductors. The required specification for the heater should also include 1000 VAC, 1400 °F quality cable in addition to the preferred mode specifications described above. The designator 355 specifies the cable OD (0.355”), A90 specifies the conductor material, 310 specifies the heated zone sheath alloy (SS 310), “H” specifies the MgO mix, 30’/750’/30’ specifies about a 230 m heated zone with cold-pins top and bottom having about 9 m lengths. A similar part number with the same specification using high temperature Standard purity MgO cable may be ordered from Pyrotenax Cable Company.

One or more insulated conductor heaters may be placed within an opening in a formation to form a heat source or heat sources. Electrical current may be passed through each insulated conductor heater in the opening to heat the formation. Alternately, electrical current may be passed through selected insulated conductor heaters in an opening. The unused conductors may be backup heaters. Insulated conductor heaters may be electrically coupled to a power source in any convenient manner. Each end of an insulated conductor heater may be coupled to lead-in cables that pass through a wellhead. Such a configuration typically has a 180° bend (a “hairpin” bend) or turn located near a bottom of the heat source. An insulated conductor heater that includes a 180° bend or turn may not require a bottom termination, but the 180° bend or turn may be an electrical and/or structural weakness in the heater. Insulated conductor heaters may be electrically coupled together in series, in parallel, or in series and parallel combinations. In some embodiments of heat sources, electrical current may pass into the conductor of an insulated conductor heater and may returned through the sheath of the insulated conductor heater by connecting the conductor 575 to the sheath 577 at the bottom of the heat source.

In an embodiment of a heat source depicted in FIG. 17, three insulated conductor heaters 562 are electrically coupled in a 3-phase Y configuration to a power supply. The power supply may provide a 60 cycle AC current to the electrical conductors. No bottom connection may be required for the insulated conductor heaters. Alternately, all three conductors of the three phase circuit may be connected together near the bottom of a heat source opening. The connection may be made directly at ends of heating sections of the insulated conductor heaters or at ends of cold pins coupled to the heating sections at the bottom of the insulated conductor heaters. The bottom connections may be made with insulator filled and sealed canisters or with epoxy filled canisters. The insulator may be the same composition as the insulator used as the electrical insulation.

The three insulated conductor heaters depicted in FIG. 17 may be coupled to support member 564 using centralizers 566. Alternatively, the three insulated conductor heaters may be strapped directly to the support tube using metal straps. Centralizers 566 may be configured to maintain a location of insulated conductor heaters 562 on support member 564. Centralizers 566 may be made of, for example, metal, ceramic or a combination thereof. The metal may be stainless steel or any other type of metal able to withstand a corrosive and hot environment. In

WO 01/81239

PCT/US01/13452

some embodiments, centralizers 566 may be simple bowed metal strips welded to the support member at distances less than about 6 meters. A ceramic used in centralizer 566 may be, but is not limited to, Al_2O_3 , MgO or other insulator. Centralizers 566 may be configured to maintain a location of insulated conductor heaters 562 on support member 564 such that movement of insulated conductor heaters may be substantially inhibited at operating temperatures of the insulated conductor heaters. Insulated conductor heaters 562 may also be somewhat flexible to withstand expansion of support member 564 during heating. Centralizers 566 may also be configured as described in any of the embodiments herein.

Support member 564, insulated conductor heater 562, and centralizers 566 may be placed in opening 514 in hydrocarbon containing formation 516. Insulated conductor heaters 562 may be coupled to bottom conductor junction 570 using cold pin transition conductor 568. Bottom conductor junction 570 may electrically couple each insulated conductor heater 562 to each other. Bottom conductor junction 570 may include materials that are electrically conducting and do not melt at temperatures found in opening 514. Cold pin transition conductor 568 may be an insulated conductor heater having lower electrical resistance than insulated conductor heater 562. As illustrated in FIG. 17a, cold pin 568 may be coupled to transition conductor 571 and insulated conductor heater 562. Cold pin transition conductor 568 may provide a temperature transition between transition conductor 571 and insulated conductor heater 562.

Lead-in conductor 572 may be coupled to wellhead 590 to provide electrical power to insulated conductor heater 562. Wellhead 590 may be configured as shown in FIG. 18 and as described in any of the embodiments herein. Lead-in conductor 572 may be made of a relatively low electrical resistance conductor such that relatively little or substantially no heat may be generated from electrical current passing through lead-in conductor 572. For example, the lead-in conductor may include, but may not be limited to, a rubber insulated stranded copper wire, but the lead-in conductor may also be a mineral-insulated conductor with a copper core. Lead-in conductor 572 may couple to a wellhead 590 at surface 550 through a sealing flange located between overburden 540 and surface 550. The sealing flange 590c may be configured as shown in FIG. 18 and as described in any of the embodiments herein. The sealing flange may substantially inhibit fluid from escaping from opening 514 to surface 550.

Packing material 542 (see FIG. 17) may optionally be placed between overburden casing 541 and opening 514. Overburden casing 541 may include any materials configured to substantially contain cement 544. In an embodiment of a heater source, overburden casing is an 7.6 cm (3 inch) diameter carbon steel, schedule 40 pipe. Packing material 542 may be configured to inhibit fluid from flowing from opening 514 to surface 550. Overburden casing 541 may be placed in cement 544 in overburden 540 of formation 516. Cement 544 may include, for example, Class G or Class H Portland cement mixed with silica flour for improved high temperature performance, slag or silica flour, and/or a mixture thereof (e.g., about 1.58 grams per cubic centimeter slag/silica flour). In selected heat source embodiments, cement 544 extends radially a width of from about 5 cm to about 25 cm. In some embodiments cement 544 may extend radially a width of about 10 cm to about 15 cm. In some other embodiments, cement 544 may be designed to inhibit heat transfer from conductor 564 into formation 540 within the overburden.

In certain embodiments one or more conduits may be provided to supply additional components (e.g., nitrogen, carbon dioxide, reducing agents such as gas containing hydrogen, etc.) to formation openings, to bleed off fluids, and/or to control pressure. Formation pressures tend to be highest near heating sources and thus it is often beneficial to have pressure control equipment proximate the heating source. In some embodiments adding a

WO 01/81239

PCT/US01/13452

reducing agent proximate the heating source assists in providing a more favorable pyrolysis environment (e.g., a higher hydrogen partial pressure). Since permeability and porosity tend to increase more quickly proximate the heating source, it is often optimal to add a reducing agent proximate the heating source so that the reducing agent can more easily move into the formation.

5 In FIG. 17, for example, conduit 5000 may be provided to add gas from gas source 5003, through valve 5001, and into opening 514 (an opening 5004 is provided in packing material 542 to allow gas to pass into opening 514). Conduit 5000 and valve 5002 may also be used at different times to bleed off pressure and/or control pressure proximate to opening 514. In FIG. 19, for example, conduit 5010 may be provided to add gas from gas source 5013, through valve 5011, and into opening 514 (an opening is provided in cement 544 to allow gas to pass into opening 514). Conduit 5010 and valve 5012 may also be used at different times to bleed off pressure and/or control pressure proximate to opening 514. It is to be understood that any of the heating sources described herein may also be equipped with conduits to supply additional components, bleed off fluids, and/or to control pressure.

15 Support member 564 and lead-in conductor 572 may be coupled to wellhead 590 at surface 550 of formation 516. Surface conductor 545 may enclose cement 544 and may couple to wellhead 590. Embodiments of heater source surface conductor 545 may have a diameter of about 10.16 cm to about 30.48 cm or, for example, a diameter of about 22 cm. Embodiments of surface casings may extend to depths of approximately 3m to approximately 515 m into an opening in the formation. Alternatively, the surface casing may extend to a depth of approximately 9 m into the opening. Electrical current may be supplied from a power source to insulated conductor heater 562 to generate heat due to the electrical resistance of conductor 575 as illustrated in FIG. 16. As an example, a voltage of about 330 volts and a current of about 266 amps are supplied to insulated conductors 562 to generate a heat of about 1150 watts/meter in insulated conductor heater 562. Heat generated from the three insulated conductor heaters 562 may transfer (e.g., by radiation) within opening 514 to heat at least a portion of the formation 516.

25 An appropriate configuration of an insulated conductor heater may be determined by optimizing a material cost of the heater based on a length of heater, a power required per meter of conductor, and a desired operating voltage. In addition, an operating current and voltage may be chosen to optimize the cost of input electrical energy in conjunction with a material cost of the insulated conductor heaters. For example, as input electrical energy increases, the cost of materials needed to withstand the higher voltage may also increase. The insulated conductor heaters may be configured to generate a radiant heat of approximately 650 watts/meter of conductor to approximately 1650 watts/meter of conductor. The insulated conductor heater may operate at a temperature between approximately 530 °C and approximately 760 °C within a formation.

30 Heat generated by an insulated conductor heater may heat at least a portion of a hydrocarbon containing formation. In some embodiments heat may be transferred to the formation substantially by radiation of the generated heat to the formation. Some heat may be transferred by conduction or convection of heat due to gases present in the opening. The opening may be an uncased opening. An uncased opening eliminates cost associated with thermally cementing the heater to the formation, costs associated with a casing, and/or costs of packing a heater within an opening. In addition, the heat transfer by radiation is generally more efficient than by conduction so the heaters will operate at lower temperatures in an open wellbore. The conductive heat transfer may be enhanced by the addition of a gas in the opening at pressures up to about 27 bar absolute. The gas may include,

WO 01/81239

PCT/US01/13452

but may not be limited to, carbon dioxide and/or helium. Still another advantage is that the heating assembly will be free to undergo thermal expansion. Yet another advantage is that the heaters may be replaceable.

The insulated conductor heater, as described in any of the embodiments herein, may be installed in opening 514 by any method known in the art. In an embodiment, more than one spooling assembly may be used to install both the electric heater and a support member simultaneously. U.S. Patent No. 4,572,299 issued to Van Egmond et al., which is incorporated by reference as if fully set forth herein, describes spooling an electric heater into a well. Alternatively, the support member may be installed using a coiled tubing unit including any unit known in the art. The heaters may be un-spoiled and connected to the support as the support is inserted into the well. The electric heater and the support member may be un-spoiled from the spooling assemblies. Spacers may be coupled to the support member and the heater along a length of the support member. Additional spooling assemblies may be used for additional electric heater elements.

In an embodiment, the support member may be installed using standard oil field operations and welding different sections of support. Welding may be done by using orbital welding. For example, a first section of the support member may be disposed into the well. A second section (e.g., of substantially similar length) may be coupled to the first section in the well. The second section may be coupled by welding the second section to the first section. An orbital welder disposed at the wellhead may be configured to weld the second section to the first section. This process may be repeated with subsequent sections coupled to previous sections until a support of desired length is within the well.

FIG. 18 illustrates a cross-sectional view of one embodiment of a wellhead coupled, e.g., to overburden casing 541. Flange 590c may be coupled to, or may be a part of, wellhead 590. Flange 590c may be, for example, carbon steel, stainless steel or any other commercially available suitable sealing material. Flange 590c may be sealed with o-ring 590f, or any other sealing mechanism. Thermocouples 590g may be provided into wellhead 590 through flange 590c. Thermocouples 590g may measure a temperature on or proximate to support member 564 within the heated portion of the well. Support member 564 may be coupled to flange 590c. Support member 564 may be configured to support one or more insulated conductor heaters as described herein. Support member 564 may be sealed in flange 590c by welds 590h. Alternately, support member 564 may be sealed by any method known in the art.

Power conductor 590a may be coupled to a lead-in cable and/or an insulated conductor heater. Power conductor 590a may be configured to provide electrical energy to the insulated conductor heater. Power conductor 590a may be sealed in sealing flange 590d. Sealing flange 590d may be sealed by compression seals or o-rings 590e. Power conductor 590a may be coupled to support member 564 with band 590i. Band 590i may include a rigid and corrosion resistant material such as stainless steel. Wellhead 590 may be sealed with weld 590h such that fluid may be substantially inhibited from escaping the formation through wellhead 590. Lift bolt 590j may be configured to lift wellhead 590 and support member 564. Wellhead 590 may also include a pressure control valve. Compression fittings 590k may serve to seal power cable 590a and compression fittings 590l may serve to seal thermocouple 590g. These seals inhibit fluids from escaping the formation. The pressure control valve may be configured to control a pressure within an opening in which support member 564 may be disposed.

In an embodiment, a control system may be configured to control electrical power supplied to an insulated conductor heater. Power supplied to the insulated conductor heater may be controlled with any appropriate type of controller. For alternating current, the controller may, for example, be a tapped transformer. Alternatively, the controller may be a zero crossover electrical heater firing SCR (silicon controlled rectifier)

controller. Zero crossover electrical heater firing control may be achieved by allowing full supply voltage to the insulated conductor heater to pass through the insulated conductor heater for a specific number of cycles, starting at the "crossover," where an instantaneous voltage may be zero, continuing for a specific number of complete cycles, and discontinuing when the instantaneous voltage again may cross zero. A specific number of cycles may be blocked, allowing control of the heat output by the insulated conductor heater. For example, the control system may be arranged to block fifteen and/or twenty cycles out of each sixty cycles that may be supplied by a standard 60 Hz alternating current power supply. Zero crossover firing control may be advantageously used with materials having a low temperature coefficient materials. Zero crossover firing control may substantially inhibit current spikes from occurring in an insulated conductor heater.

FIG. 19 illustrates an embodiment of a conductor-in-conduit heater configured to heat a section of a hydrocarbon containing formation. Conductor 580 may be disposed in conduit 582. Conductor 580 may be a rod or conduit of electrically conductive material. A conductor 580 may have a low resistance section 584 at both the top and the bottom of the conductor 580 in order to generate less heating in these sections 584. The substantially low resistance section 584 may be due to a greater cross-sectional area of conductor 580 in that section. For example, conductor 580 may be a 304 or 310 stainless steel rod with a diameter of approximately 2.8 cm. The diameter and wall thickness of conductor 580 may vary, however, depending on, for example, a desired heating rate of the hydrocarbon containing formation. Conduit 582 may include an electrically conductive material. For example, conduit 582 may be a 304 or 310 stainless steel pipe having a diameter of approximately 7.6 cm and a thickness of approximately schedule 40. Conduit 582 may be disposed in opening 514 in formation 516. Opening 514 may have a diameter of at least approximately 5 cm. The diameter of the opening may vary, however, depending on, for example, a desired heating rate in the formation and/or a diameter of conduit 582. For example, a diameter of the opening may be from about 10 cm to about 13 cm. Larger diameter openings may also be used. For example, a larger opening may be used if more than one conductor is to be placed within a conduit.

Conductor 580 may be centered in conduit 582 through centralizer 581. Centralizer 581 may electrically isolate conductor 580 from conduit 582. In addition, centralizer 581 may be configured to locate conductor 580 within conduit 582. Centralizer 581 may be made of a ceramic material or a combination of ceramic and metallic materials. More than one centralizer 581 may be configured to substantially inhibit deformation of conductor 580 in conduit 582 during use. More than one centralizer 581 may be spaced at intervals between approximately 0.5 m and approximately 3 m along conductor 580. Centralizer 581 may be made of ceramic, 304 stainless steel, 310 stainless steel, or other types of metal. Centralizer 581 may be configured as shown in FIG. 22 and/or FIGs. 23a and 23b.

As depicted in FIG. 20, sliding connector 583 may couple an end of conductor 580 disposed proximate a lowermost surface of conduit 582. Sliding connector 583 allows for differential thermal expansion between conductor 580 and conduit 582. Sliding connector 583 is attached to a conductor 580 located at the bottom of the well at a low resistance section 584 which may have a greater cross-sectional area. The lower resistance of section 584 allows the sliding connector to operate at temperatures no greater than about 90 °C. In this manner, corrosion of the sliding connector components is minimized and therefore contact resistance between sliding connector 583 and conduit 582 is also minimized. Sliding connector 583 may be configured as shown in FIG. 20 and as described in any of the embodiments herein. The substantially low resistance section 584 of the conductor 580 may couple conductor 580 to wellhead 690 as depicted in FIG. 19. Wellhead 690 may be configured as shown in FIG. 21 and as described in any of the embodiments herein. Electrical current may be applied to

WO 01/81239

PCT/US01/13452

conductor 580 from power cable 585 through a low resistance section 584 of the conductor 580. Electrical current may pass from conductor 580 through sliding connector 583 to conduit 582. Conduit 582 may be electrically insulated from overburden casing 541 and from wellhead 690 to return electrical current to power cable 585. Heat may be generated in conductor 580 and conduit 582. The generated heat may radiate within conduit 582 and opening 514 to heat at least a portion of formation 516. As an example, a voltage of about 330 volts and a current of about 795 amps may be supplied to conductor 580 and conduit 582 in a 229 m (750 ft) heated section to generate about 1150 watts/meter of conductor 580 and conduit 582.

Overburden conduit 541 may be disposed in overburden 540 of formation 516. Overburden conduit 541 may in some embodiments be surrounded by materials that may substantially inhibit heating of overburden 540. A substantially low resistance section 584 of a conductor 580 may be placed in overburden conduit 541. The substantially low resistance section 584 of conductor 580 may be made of, for example, carbon steel. The substantially low resistance section 584 may have a diameter between about 2 cm to about 5 cm or, for example, a diameter of about 4 cm. A substantially low resistance section 584 of conductor 580 may be centralized within overburden conduit 541 using centralizers 581. Centralizers 581 may be spaced at intervals of approximately 6 m to approximately 12 m or, for example, approximately 9 m along substantially low resistance section 584 of conductor 580. A substantially low resistance section 584 of conductor 580 may be coupled to conductor 580 using any method known in the art such as arc welding. A substantially low resistance section 584 may be configured to generate little and/or substantially no heat in overburden conduit 541. Packing material 542 may be placed between overburden casing 541 and opening 514. Packing material 542 may be configured to substantially inhibit fluid from flowing from opening 514 to surface 550 or to inhibit most heat carrying fluids from flowing from opening 514 to surface 550.

Overburden conduit may include, for example, a conduit of carbon steel having a diameter of about 7.6 cm and a thickness of about schedule 40 pipe. Cement 544 may include, for example, slag or silica flour, or a mixture thereof (e.g., about 1.58 grams per cubic centimeter slag/silica flour). Cement 544 may extend radially a width of about 5 cm to about 25 cm. Cement 544 may also be made of material designed to inhibit flow of heat into formation 516.

Surface conductor 545 and overburden casing 541 may enclose cement 544 and may couple to wellhead 690. Surface conductor 545 may have a diameter of about 10 cm to about 30 cm and more preferably a diameter of about 22 cm. Electrically insulating sealing flanges may be configured to mechanically couple substantially low resistance section 584 of conductor 580 to wellhead 690 and to electrically couple lower resistance section 584 to power cable 585. The electrically insulating sealing flanges may be configured to couple lead-in conductor 585 to wellhead 690. For example, lead-in conductor 585 may include a copper cable, wire, or other elongated member. Lead-in conductor 585 may include, however, any material having a substantially low resistance. The lead-in conductor may be clamped to the bottom of the low resistivity conductor to make electrical contact.

In an embodiment, heat may be generated in or by conduit 582. In this manner, about 10 % to about 30 %, or, for example, about 20 %, of the total heat generated by the heater may be generated in or by conduit 582. Both conductor 580 and conduit 582 may be made of stainless steel. Dimensions of conductor 580 and conduit 582 may be chosen such that the conductor will dissipate heat in a range from approximately 650 watts per meter to 1650 watts per meter. A temperature in conduit 582 may be approximately 480 °C to approximately 815 °C and a temperature in conductor 580 may be approximately 500 °C to 840 °C. Substantially uniform heating of a hydrocarbon containing formation may be provided along a length of conduit 582 greater than about 300 m or,

WO 01/81239

PCT/US01/13452

maybe, greater than about 600 m. A length of conduit 582 may vary, however, depending on, for example, a type of hydrocarbon containing formation, a depth of an opening in the formation, and/or a length of the formation desired for treating.

The generated heat may be configured to heat at least a portion of a hydrocarbon containing formation. Heating of at least the portion may occur substantially by radiation of the generated heat within an opening in the formation and to a lesser extent by gas conduction. In this manner, a cost associated with filling the opening with a filling material to provide conductive heat transfer between the insulated conductor and the formation may be eliminated. In addition, heat transfer by radiation is generally more efficient than by conduction so the heaters will generally operate at lower temperatures in an open wellbore. Still another advantage is that the heating assembly will be free to undergo thermal expansion. Yet another advantage is that the heater may be replaceable.

The conductor-in-conduit heater, as described in any of the embodiments herein, may be installed in opening 514. In an embodiment, the conductor-in-conduit heater may be installed into a well by sections. For example, a first section of the conductor-in-conduit heater may be disposed into the well. The section may be about 12 m in length. A second section (e.g., of substantially similar length) may be coupled to the first section in the well. The second section may be coupled by welding the second section to the first section and/or with threads disposed on the first and second section. An orbital welder disposed at the wellhead may be configured to weld the second section to the first section. This process may be repeated with subsequent sections coupled to previous sections until a heater of desired length may be disposed in the well. In some embodiments, three sections may be coupled prior to being disposed in the well. The three sections may be coupled by welding. The three sections may have a length of about 12.2 m each. The resulting 37 m section may be lifted vertically by a crane at the wellhead. The three sections may be coupled to three additional sections in the well as described herein. Welding the three sections prior to being disposed in the well may reduce a number of leaks and/or faulty welds and may decrease a time required for installation of the heater.

In an alternate embodiment, the conductor-in-conduit heater may be spooled onto a spooling assembly. The spooling assembly may be mounted on a transportable structure. The transportable structure may be transported to a well location. The conductor-in-conduit heater may be un-spooled from the spooling assembly into the well.

FIG. 20 illustrates an embodiment of a sliding connector. Sliding connector 583 may include scraper 593 that may abut an inner surface of conduit 582 at point 595. Scraper 593 may include any metal or electrically conducting material (e.g., steel or stainless steel). Centralizer 591 may couple to conductor 580. In some embodiments, conductor 580 may have a substantially low resistance section 584, due to an increased thickness, substantially around a location of sliding connector 583. Centralizer 591 may include any electrically conducting material (e.g., a metal or metal alloy). Centralizer 591 may be coupled to scraper 593 through spring bow 592. Spring bow 592 may include any metal or electrically conducting material (e.g., copper-beryllium alloy). Centralizer 591, spring bow 592, and/or scraper 593 may be coupled through any welding method known in the art. Sliding connector 583 may electrically couple the substantially low resistance section 584 of conductor 580 to conduit 582 through centralizer 591, spring bow 592, and/or scraper 593. During heating of conductor 580, conductor 580 may expand at a substantially different rate than conduit 582. For example, point 594 on conductor 580 may move relative to point 595 on conduit 582 during heating of conductor 580. Scraper 593 may maintain electrical contact with conduit 582 by sliding along surface of conduit 582. Several sliding connectors may be used for redundancy and to reduce the current at each scraper. In addition, a thickness of conduit 582 may be

increased for a length substantially adjacent to sliding connector 583 to substantially reduce heat generated in that portion of the conduit 582. The length of conduit 582 with increased thickness may be, for example, approximately 6 m.

FIG. 21 illustrates another embodiment of a wellhead. Wellhead 690 may be coupled to electrical junction box 690a by flange 690n or any other suitable mechanical device. Electrical junction box 690a may be configured to control power (current and voltage) supplied to an electric heater. The electric heater may be a conductor-in-conduit heater as described herein. Flange 690n may include, for example, stainless steel or any other suitable sealing material. Conductor 690b may be disposed in flange 690n and may electrically couple overburden casing 541 to electrical junction box 690a. Conductor 690b may include any metal or electrically conductive material (e.g., copper). Compression seal 690c may seal conductor 690b at an inner surface of electrical junction box 690a.

Flange 690n may be sealed with metal o-ring 690d. Conduit 690f, which may be, e.g., a pipe, may couple flange 690n to flange 690m. Flange 690m may couple to overburden casing 541. Flange 690m may be sealed with o-ring 690g (e.g., metal o-ring or steel o-ring). The substantially low resistance section 584 of the conductor (e.g., conductor 580) may couple to electrical junction box 690a. The substantially low resistance section 584 may be passed through flange 690n and may be sealed in flange 690n with o-ring assembly 690p. Assemblies 690p are designed to insulate the substantially low resistance section 584 of conductor 580 from flange 690n and flange 690m. O-ring assembly 690c may be designed to electrically insulate conductor 690b from flange 690m and junction box 690a. Centralizer 581 may couple to low resistance section 584. Electrically insulating centralizer 581 may have characteristics as described in any of the embodiments herein. Thermocouples 690i may be coupled to thermocouple flange 690q with connectors 690h and wire 690j. Thermocouples 690i may be enclosed in an electrically insulated sheath (e.g., a metal sheath). Thermocouples 690i may be sealed in thermocouple flange 690q with compression seals 690k. Thermocouples 690i may be used to monitor temperatures in the heated portion downhole.

FIG. 22 illustrates a perspective view of an embodiment of a centralizer in, e.g., conduit 582. Electrical insulator 581a may be disposed on conductor 580. Insulator 581a may be made of, for example, aluminum oxide or any other electrically insulating material that may be configured for use at high temperatures. A location of insulator 581a on the conductor 580 may be maintained by disc 581d. Disc 581d may be welded to conductor 580. Spring bow 581c may be coupled to insulator 581a by disc 581b. Spring bow 581c and disc 581b may be made of metals such as 310 stainless steel and any other thermally conducting material that may be configured for use at high temperatures. Centralizer 581 may be arranged as a single cylindrical member disposed on conductor 580. Centralizer 581 may be arranged as two half-cylindrical members disposed on conductor 580. The two half-cylindrical members may be coupled to conductor 580 by band 581e. Band 581e may be made of any material configured for use at high temperatures (e.g., steel).

FIG. 23a illustrates a cross-sectional view of an embodiment of a centralizer 581e disposed on conductor 580. FIG. 23b illustrates a perspective view of the embodiment shown in FIG. 23a. Centralizer 581e may be made of any suitable electrically insulating material that may substantially withstand high voltage at high temperatures. Examples of such materials may be aluminum oxide and/or Macor. Discs 581d may maintain positions of centralizer 581e relative to conductor 580. Discs 581d may be metal discs welded to conductor 580. Discs 581d may be tack-welded to conductor 580. Centralizer 581e may substantially electrically insulate conductor 580 from conduit 582.

In an embodiment, a conduit may be pressurized with a fluid to balance a pressure in the conduit with a pressure in an opening. In this manner, deformation of the conduit may be substantially inhibited. A thermally conductive fluid may be configured to pressurize the conduit. The thermally conductive fluid may increase heat transfer within the conduit. The thermally conductive fluid may include a gas such as helium, nitrogen, air, or mixtures thereof. A pressurized fluid may also be configured to pressurize the conduit such that the pressurized fluid may inhibit arcing between the conductor and the conduit. If air and/or air mixtures are used to pressurize the conduit, the air and/or air mixtures may react with materials of the conductor and the conduit to form an oxide on a surface of the conductor and the conduit such that the conductor and the conduit are at least somewhat more resistant to corrosion.

An emissivity of a conductor and/or a conduit may be increased. For example, a surface of the conductor and/or the conduit may be roughened to increase the emissivity. Blackening the surface of the conductor and/or the conduit may also increase the emissivity. Alternatively, oxidation of the conductor and/or the conduit prior to installation may be configured to increase the emissivity. The conductor and/or the conduit may also be oxidized by heating the conductor and/or the conduit in the presence of an oxidizing fluid in the conduit and/or in an opening in a hydrocarbon containing formation. Another alternative for increasing the emissivity may be to anodize the conductor and/or the conduit such that the surface may be roughened and/or blackened.

In another embodiment, a perforated tube may be placed in the opening formed in the hydrocarbon containing formation proximate to and external the first conduit. The perforated tube may be configured to remove fluids formed in the opening. In this manner, a pressure may be maintained in the opening such that deformation of the first conduit may be substantially inhibited and the pressure in the formation near the heaters may be reduced. The perforated tube may also be used to increase or decrease pressure in the formation by addition or removal of a fluid or fluids from the formation. This may allow control of the pressure in the formation and control of quality of produced hydrocarbons. Perforated tubes may be used for pressure control in all described embodiments of heat sources using an open hole configuration. The perforated tube may also be configured to inject gases to upgrade hydrocarbon properties in situ; for example, hydrogen gas may be injected under elevated pressure.

FIG. 24 illustrates an alternative embodiment of a conductor-in-conduit heater configured to heat a section of a hydrocarbon containing formation. Second conductor 586 may be disposed in conduit 582 in addition to conductor 580. Conductor 580 may be configured as described herein. Second conductor 586 may be coupled to conductor 580 using connector 587 located near a lowermost surface of conduit 582. Second conductor 586 may be configured as a return path for the electrical current supplied to conductor 580. For example, second conductor 586 may return electrical current to wellhead 690 through second substantially low resistance conductor 588 in overburden casing 541. Second conductor 586 and conductor 580 may be configured of an elongated conductive material. Second conductor 586 and conductor 580 may be, for example, a stainless steel rod having a diameter of approximately 2.4 cm. Connector 587 may be flexible. Conduit 582 may be electrically isolated from conductor 580 and second conductor 586 using centralizers 581. Overburden casing 541, cement 544, surface conductor 545, and packing material 542 may be configured as described in the embodiment shown in FIG. 19. Advantages of this embodiment include the absence of a sliding contactor, which may extend the life of the heater, and the isolation of all applied power from formation 516.

In another embodiment, a second conductor may be disposed in a second conduit, and a third conductor may be disposed in a third conduit. The second opening may be different from the opening for the first conduit.

WO 01/81239

PCT/US01/13452

The third opening may be different from the opening for the first conduit and the second opening. For example, each of the first, second, and third openings may be disposed in substantially different well locations of the formation and may have substantially similar dimensions. The first, second, and third conductors may be configured as described herein. The first, second, and third conductors may be electrically coupled in a 3-phase Y electrical configuration. The outer conduits may be connected together or may be connected to the ground. The 3-phase Y electrical configuration may provide a safer, more efficient method to heat a hydrocarbon containing formation than using a single conductor. The first, second, and/or third conduits may be electrically isolated from the first, second, and third conductors, respectively. Dimensions of each conductor and each conduit may be configured such that each conductor may generate heat of approximately 650 watts per meter of conductor to approximately 1650 watts per meter of conductor. In an embodiment, a first conductor and a second conductor in a conduit may be coupled by a flexible connecting cable. The bottom of the first and second conductor may be enlarged to create low resistance sections, and thus generate less heat. In this manner, the flexible connector may be made of, for example, stranded copper covered with rubber insulation.

In an embodiment, a first conductor and a second conductor may be coupled to at least one sliding connector within a conduit. The sliding connector may be configured as described herein. For example, such a sliding connector may be configured to generate less heat than the first conductor or the second conductor. The conduit may be electrically isolated from the first conductor, second conductor, and/or the sliding connector. The sliding connector may be placed in a location within the first conduit where substantially less heating of the hydrocarbon containing formation may be required.

In an embodiment, a thickness of a section of a conduit may be increased such that substantially less heat may be transferred (e.g., radiated) along the section of increased thickness. The section with increased thickness may preferably be formed along a length of the conduit where less heating of the hydrocarbon containing formation may be required.

In an embodiment, the conductor may be formed of sections of various metals that are welded together. The cross sectional area of the various metals may be selected to allow the resulting conductor to be long, to be creep resistant at high operating temperatures, and/or to dissipate substantially the same amount of heat per unit length along the entire length of the conductor. For example, a first section may be made of a creep resistant metal (such as, but not limited to, Inconel 617 or HR120) and a second section of the conductor may be made of 304 stainless steel. The creep resistant first section may help to support the second section. The cross sectional area of the first section may be larger than the cross sectional area of the second section. The larger cross sectional area of the first section may allow for greater strength of the first section. Higher resistivity properties of the first section may allow the first section to dissipate the same amount of heat per unit length as the smaller cross sectional area second section.

In some embodiments, the cross sectional area and/or the metal used for a particular section may be chosen so that a particular section provides greater (or lesser) heat dissipation per unit length than an adjacent section. More heat may be provided near an interface between a hydrocarbon layer and a non-hydrocarbon layer (e.g., the overburden and the hydrocarbon containing formation) to counteract end effects and allow for more uniform heat dissipation into the hydrocarbon containing formation. A higher heat dissipation may also be located at a lower end of an elongated member to counteract end effects and allow for more uniform heat dissipation.

WO 01/81239

PCT/US01/13452

In an embodiment, an elongated member may be disposed within an opening (e.g., an open wellbore) in a hydrocarbon containing formation. The opening may preferably be an uncased opening in the hydrocarbon containing formation. The opening may have a diameter of at least approximately 5 cm or, for example, approximately 8 cm. The diameter of the opening may vary, however, depending on, for example, a desired heating rate in the formation. The elongated member may be a length (e.g., a strip) of metal or any other elongated piece of metal (e.g., a rod). The elongated member may include stainless steel. The elongated member, however, may also include any conductive material configurable to generate heat to sufficiently heat a portion of the formation and to substantially withstand a corresponding temperature within the opening, for example, it may be configured to withstand corrosion at the temperature within the opening.

An elongated member may be a bare metal heater. "Bare metal" refers to a metal that does not include a layer of electrical insulation, such as mineral insulation, that is designed to provide electrical insulation for the metal throughout an operating temperature range of the elongated member. Bare metal may encompass a metal that includes a corrosion inhibitor such as a naturally occurring oxidation layer, an applied oxidation layer, and/or a film. Bare metal includes metal with polymeric or other types of electrical insulation that cannot retain electrical insulating properties at typical operating temperature of the elongated member. Such material may be placed on the metal and may be thermally degraded during use of the heater.

An elongated member may have a length of about 650 meters. Longer lengths may be achieved using sections of high strength alloys, but such elongated members may be expensive. In some embodiments, an elongated member may be supported by a plate in a wellhead. The elongated member may include sections of different conductive materials that are welded together end-to-end. A large amount of electrically conductive weld material may be used to couple the separate sections together to increase strength of the resulting member and to provide a path for electricity to flow that will not result in arcing and/or corrosion at the welded connections. The different conductive materials may include alloys with a high creep resistance. The sections of different conductive materials may have varying diameters to ensure uniform heating along the elongated member. A first metal that has a higher creep resistance than a second metal typically has a higher resistivity than the second metal. The difference in resistivities may allow a section of larger cross sectional area, more creep resistant first metal to dissipate the same amount of heat as a section of smaller cross sectional area second metal. The cross sectional areas of the two different metals may be tailored to result in substantially the same amount of heat dissipation in two welded together sections of the metals. The conductive materials may include, but are not limited to, 617 Inconel, HR-120, 316 stainless steel, and 304 stainless steel. For example, an elongated member may have a 60 meter section of 617 Inconel, 60 meter section of HR-120, and 150 meter section of 304 stainless steel. In addition, the elongated member may have a low resistance section that may run from the wellhead through the overburden. This low resistance section may decrease the heating within the formation from the wellhead through the overburden. The low resistance section may be the result of, for example, choosing a substantially electrically conductive material and/or increasing the cross-sectional area available for electrical conduction.

Alternately, a support member may extend through the overburden, and the bare metal elongated member or members may be coupled to a plate, a centralizer or other type of support member near an interface between the overburden and the hydrocarbon formation. A low resistivity cable, such as a stranded copper cable, may extend along the support member and may be coupled to the elongated member or members. The copper cable may be coupled to a power source that supplies electricity to the elongated member or members.

FIG. 25 illustrates an embodiment of a plurality of elongated members configured to heat a section of a hydrocarbon containing formation. Two or more (e.g., four) elongated members 600 may be supported by support member 604. Elongated members 600 may be coupled to support member 604 using insulated centralizers 602. Support member 604 may be a tube or conduit. Support member 604 may also be a perforated tube. Support member 604 may be configured to provide a flow of an oxidizing fluid into opening 514. Support member 604 may have a diameter between about 1.2 cm to about 4 cm and more preferably about 2.5 cm. Support member 604, elongated members 600, and insulated centralizers 602 may be disposed in opening 514 in formation 516. Insulated centralizers 602 may be configured to maintain a location of elongated members 600 on support member 604 such that lateral movement of elongated members 600 may be substantially inhibited at temperatures high enough to deform support member 604 or elongated members 600. Insulated centralizers 602 may be a centralizer as described herein. Elongated members 600, in some embodiments, may be metal strips of about 2.5 cm wide and about 0.3 cm thick stainless steel. Elongated members 600, however, may also include a pipe or a rod formed of a conductive material. Electrical current may be applied to elongated members 600 such that elongated members 600 may generate heat due to electrical resistance.

Elongated members 600 may be configured to generate heat of approximately 650 watts per meter of elongated members 600 to approximately 1650 watts per meter of elongated members 600. In this manner, elongated members 600 may be at a temperature of approximately 480 °C to approximately 815 °C. Substantially uniform heating of a hydrocarbon containing formation may be provided along a length of elongated members 600 greater than about 305 m or, maybe, greater than about 610 m. A length of elongated members 600 may vary, however, depending on, for example, a type of hydrocarbon containing formation, a depth of an opening in the formation, and/or a length of the formation desired for treating

Elongated members 600 may be electrically coupled in series. Electrical current may be supplied to elongated members 600 using lead-in conductor 572. Lead-in conductor 572 may be further configured as described herein. Lead-in conductor 572 may be coupled to wellhead 690. Electrical current may be returned to wellhead 690 using lead-out conductor 606 coupled to elongated members 600. Lead-in conductor 572 and lead-out conductor 606 may be coupled to wellhead 690 at surface 550 through a sealing flange located between wellhead 690 and overburden 540. The sealing flange may substantially inhibit fluid from escaping from opening 514 to surface 550. Lead-in conductor 572 and lead-out conductor 606 may be coupled to elongated members using a cold pin transition conductor. The cold pin transition conductor may include an insulated conductor of substantially low resistance such that substantially no heat may be generated by the cold pin transition conductor. The cold pin transition conductor may be coupled to lead-in conductor 572, lead-out conductor 606, and/or elongated members 600 by any splicing or welding methods known in the art. The cold pin transition conductor may provide a temperature transition between lead-in conductor 572, lead-out conductor 606, and/or elongated members 600. The cold pin transition conductor may be further configured as described in any of the embodiments herein. Lead-in conductor 572 and lead-out conductor 606 may be made of low resistance conductors such that substantially no heat may be generated from electrical current passing through lead-in conductor 572 and lead-out conductor 606.

Weld beads may be placed beneath the centralizers 602 on the support member 604 to fix the position of the centralizers. Weld beads may be placed on the elongated members 600 above the uppermost centralizer to fix the position of the elongated members relative to the support member (other types of connecting mechanisms may also be used). When heated, the elongated member may thermally expand downwards. The elongated member

WO 01/81239

PCT/US01/13452

may be formed of different metals at different locations along a length of the elongated member to allow relatively long lengths to be formed. For example, a "U" shaped elongated member may include a first length formed of 310 stainless steel, a second length formed of 304 stainless steel welded to the first length, and a third length formed of 310 stainless steel welded to the second length. 310 stainless steel is more resistive than 304 stainless steel and may dissipate approximately 25% more energy per unit length than 304 stainless steel of the same dimensions. 310 stainless steel may be more creep resistant than 304 stainless steel. The first length and the third length may be formed with cross sectional areas that allow the first length and third lengths to dissipate as much heat as a smaller cross area section of 304 stainless steel. The first and third lengths may be positioned close to the wellhead 690. The use of different types of metal may allow the formation of long elongated members. The different metals may be, but are not limited to, 617 Inconel, HR120, 316 stainless steel, 310 stainless steel, and 304 stainless steel.

Packing material 542 may be placed between overburden casing 541 and opening 514. Packing material 542 may be configured to inhibit fluid flowing from opening 514 to surface 550 and to inhibit corresponding heat losses towards the surface. Packing material 542 may be further configured as described herein. Overburden casing 541 may be placed in cement 544 in overburden 540 of formation 516. Overburden casing 541 may be further configured as described herein. Surface conductor 545 may be disposed in cement 544. Surface conductor 545 may be configured as described herein. Support member 604 may be coupled to wellhead 690 at surface 550 of formation 516. Centralizer 581 may be configured to maintain a location of support member 604 within overburden casing 541. Centralizer 581 may be further configured as described herein. Electrical current may be supplied to elongated members 600 to generate heat. Heat generated from elongated members 600 may radiate within opening 514 to heat at least a portion of formation 516.

The oxidizing fluid may be provided along a length of the elongated members 600 from oxidizing fluid source 508. The oxidizing fluid may inhibit carbon deposition on or proximate to the elongated members. For example, the oxidizing fluid may react with hydrocarbons to form carbon dioxide, which may be removed from the opening. Openings 605 in support member 604 may be configured to provide a flow of the oxidizing fluid along the length of elongated members 600. Openings 605 may be critical flow orifices as configured and described herein. Alternatively, a tube may be disposed proximate to elongated members 600 to control the pressure in the formation as described in above embodiments. In another embodiment, a tube may be disposed proximate to elongated members 600 to provide a flow of oxidizing fluid into opening 514. Also, at least one of elongated members 600 may include a tube having openings configured to provide the flow of oxidizing fluid. Without the flow of oxidizing fluid, carbon deposition may occur on or proximate to elongated members 600 or on insulated centralizers 602, thereby causing shorting between elongated members 600 and insulated centralizers 602 or hot spots along elongated members 600. The oxidizing fluid may be used to react with the carbon in the formation as described herein. The heat generated by reaction with the carbon may complement or supplement the heat generated electrically.

In an embodiment, a plurality of elongated members may be supported on a support member disposed in an opening. The plurality of elongated members may be electrically coupled in either a series or parallel configuration. A current and voltage applied to the plurality of elongated members may be selected such that the cost of the electrical supply of power at the surface in conjunction with the cost of the plurality of elongated members may be minimized. In addition, an operating current and voltage may be chosen to optimize a cost of input electrical energy in conjunction with a material cost of the elongated members. The elongated members

WO 01/81239

PCT/US01/13452

may be configured to generate and radiate heat as described herein. The elongated members may be installed in opening 514 as described herein.

In an embodiment, a bare metal elongated member may be formed in a "U" shape (or hairpin) and the member may be suspended from a wellhead or from a positioner placed at or near an interface between the overburden and the formation to be heated. In certain embodiments, the bare metal heaters are formed of rod stock. Cylindrical, high alumina ceramic electrical insulators may be placed over legs of the elongated members. Tack welds along lengths of the legs may fix the position of the insulators. The insulators may inhibit the elongated member from contacting the formation or a well casing (if the elongated member is placed within a well casing). The insulators may also inhibit legs of the "U" shaped members from contacting each other. High alumina ceramic electrical insulators may be purchased from Cooper Industries (Houston, Texas). In an embodiment, the "U" shaped member may be formed of different metals having different cross sectional areas so that the elongated members may be relatively long and may dissipate substantially the same amount of heat per unit length along the entire length of the elongated member. The use of different welded together sections may result in an elongated member that has large diameter sections near a top of the elongated member and a smaller diameter section or sections lower down a length of the elongated member. For example, an embodiment of an elongated member has two 7/8 inch (2.2 cm) diameter first sections, two 1/2 inch (1.3 cm) middle sections, and a 3/8 inch (0.95 cm) diameter bottom section that is bent into a "U" shape. The elongated member may be made of materials with other cross section shapes such as ovals, squares, rectangles, triangles, etc. The sections may be formed of alloys that will result in substantially the same heat dissipation per unit length for each section.

In some embodiments, the cross sectional area and/or the metal used for a particular section may be chosen so that a particular section provides greater (or lesser) heat dissipation per unit length than an adjacent section. More heat dissipation per unit length may be provided near an interface between a hydrocarbon layer and a non-hydrocarbon layer (e.g., the overburden and the hydrocarbon containing formation) to counteract end effects and allow for more uniform heat dissipation into the hydrocarbon containing formation. A higher heat dissipation may also be located at a lower end of an elongated member to counteract end effects and allow for more uniform heat dissipation.

FIG. 26 illustrates an embodiment of a surface combustor configured to heat a section of a hydrocarbon containing formation. Fuel fluid 611 may be provided into burner 610 through conduit 617. An oxidizing fluid may be provided into burner 610 from oxidizing fluid source 508. Fuel fluid 611 may be oxidized with the oxidizing fluid in burner 610 to form oxidation products 613. Fuel fluid 611 may include, for example, hydrogen. Fuel fluid 611 may also include methane or any other hydrocarbon fluids. Burner 610 may be located external to formation 516 or within an opening 614 in the hydrocarbon containing formation 516. Flame 618 may be configured to heat fuel fluid 611 to a temperature sufficient to support oxidation in burner 610. Flame 618 may be configured to heat fuel fluid 611 to a temperature of about 1425 °C. Flame 618 may be coupled to an end of conduit 617. Flame 618 may be a pilot flame. The pilot flame may be configured to burn with a small flow of fuel fluid 611. Flame 618 may, however, be an electrical ignition source.

Oxidation products 613 may be provided into opening 614 within inner conduit 612 coupled to burner 610. Heat may be transferred from oxidation products 613 through outer conduit 615 into opening 614 and to formation 516 along a length of inner conduit 612. Therefore, oxidation products 613 may substantially cool along the length of inner conduit 612. For example, oxidation products 613 may have a temperature of about 870 °C proximate top of inner conduit 612 and a temperature of about 650°C proximate bottom of inner conduit 612.

A section of inner conduit 612 proximate to burner 610 may have ceramic insulator 612b disposed on an inner surface of inner conduit 612. Ceramic insulator 612b may be configured to substantially inhibit melting of inner conduit 612 and/or insulation 612a proximate to burner 610. Opening 614 may extend into the formation a length up to about 550 m below surface 550.

5 Inner conduit 612 may be configured to provide oxidation products 613 into outer conduit 615 proximate a bottom of opening 614. Inner conduit 612 may have insulation 612a. FIG. 27 illustrates an embodiment of inner conduit 612 with insulation 612a and ceramic insulator 612b disposed on an inner surface of inner conduit 612. Insulation 612a may be configured to substantially inhibit heat transfer between fluids in inner conduit 612 and fluids in outer conduit 615. A thickness of insulation 612a may be varied along a length of inner conduit 612 such that heat transfer to formation 516 may vary along the length of inner conduit 612. For example, a thickness of insulation 612a may be tapered to from a larger thickness to a lesser thickness from a top portion to a bottom portion, respectively, of inner conduit 612 in opening 614. Such a tapered thickness may provide substantially more uniform heating of formation 516 along the length of inner conduit 612 in opening 614. Insulation 612a may include ceramic and metal materials. Oxidation products 613 may return to surface 550 through outer conduit 615. Outer conduit may have insulation 615a as depicted in FIG. 26. Insulation 615a may be configured to substantially inhibit heat transfer from outer conduit 615 to overburden 540.

Oxidation products 613 may be provided to an additional burner through conduit 619 at surface 550. Oxidation products 613 may be configured as a portion of a fuel fluid in the additional burner. Doing so may increase an efficiency of energy output versus energy input for heating formation 516. The additional burner may be configured to provide heat through an additional opening in formation 516.

20 In some embodiments, an electric heater may be configured to provide heat in addition to heat provided from a surface combustor. The electric heater may be, for example, an insulated conductor heater or a conductor-in-conduit heater as described in any of the above embodiments. The electric heater may be configured to provide the additional heat to a hydrocarbon containing formation such that the hydrocarbon containing formation may be heated substantially uniformly along a depth of an opening in the formation.

25 Flameless combustors such as those described in U.S. Patent Nos. 5,255,742 to Mikus et al., 5,404,952 to Vinegar et al., 5,862,858 to Wellington et al., and 5,899,269 to Wellington et al., which are incorporated by reference as if fully set forth herein, may be configured to heat a hydrocarbon containing formation.

30 FIG. 28 illustrates an embodiment of a flameless combustor configured to heat a section of the hydrocarbon containing formation. The flameless combustor may include center tube 637 disposed within inner conduit 638. Center tube 637 and inner conduit 638 may be placed within outer conduit 636. Outer conduit 636 may be disposed within opening 514 in formation 516. Fuel fluid 621 may be provided into the flameless combustor through center tube 637. Fuel fluid 621 may include any of the fuel fluids described herein. If a hydrocarbon fuel such as methane is utilized, it may be mixed with steam to prevent coking in center tube 637. If hydrogen is used as the fuel, no steam may be required.

35 Center tube 637 may include flow mechanisms 635 (e.g., flow orifices) disposed within an oxidation region to allow a flow of fuel fluid 621 into inner conduit 638. Flow mechanisms 635 may control a flow of fuel fluid 621 into inner conduit 638 such that the flow of fuel fluid 621 is not dependent on a pressure in inner conduit 638. Flow mechanisms 635 may have characteristics as described herein. Oxidizing fluid 623 may be provided into the combustor through inner conduit 638. Oxidizing fluid 623 may be provided from oxidizing fluid source

WO 01/81239

PCT/US01/13452

508. Oxidizing fluid 623 may include any of the oxidizing fluids as described in above embodiments. Flow mechanisms 635 on center tube 637 may be configured to inhibit flow of oxidizing fluid 623 into center tube 637.

Oxidizing fluid 621 may mix with fuel fluid 621 in the oxidation region of inner conduit 638. Either oxidizing fluid 623 or fuel fluid 621, or a combination of both, may be preheated external to the combustor to a temperature sufficient to support oxidation of fuel fluid 621. Oxidation of fuel fluid 621 may provide heat generation within outer conduit 636. The generated heat may provide heat to at least a portion of a hydrocarbon containing formation proximate to the oxidation region of inner conduit 638. Products 625 from oxidation of fuel fluid 621 may be removed through outer conduit 636 outside inner conduit 638. Heat exchange between the downgoing oxidizing fluid and the upgoing combustion products in the overburden results in enhanced thermal efficiency. A flow of removed combustion products 625 may be balanced with a flow of fuel fluid 621 and oxidizing fluid 623 to maintain a temperature above autoignition temperature but below a temperature sufficient to produce substantial oxides of nitrogen. Also, a constant flow of fluids may provide a substantially uniform temperature distribution within the oxidation region of inner conduit 638. Outer conduit 636 may be, for example, a stainless steel tube. In this manner, heating of at least the portion of the hydrocarbon containing formation may be substantially uniform. As described above, the lower operating temperature may also provide a less expensive metallurgical cost associated with the heating system.

Certain heat source embodiments may include an operating system that is coupled to any of heat sources such by insulated conductors or other types of wiring. The operating system may be configured to interface with the heat source. The operating system may receive a signal (e.g., an electromagnetic signal) from a heater that is representative of a temperature distribution of the heat source. Additionally, the operating system may be further configured to control the heat source, either locally or remotely. For example, the operating system may alter a temperature of the heat source by altering a parameter of equipment coupled to the heat source. Therefore, the operating system may monitor, alter, and/or control the heating of at least a portion of the formation.

In some embodiments, a heat source as described above may be configured to substantially operate without a control and/or operating system. The heat source may be configured to only require a power supply from a power source such as an electric transformer. For example, a conductor-in-conduit heater and/or an elongated member heater may include conductive materials that may have a thermal property that self-controls a heat output of the heat source. In this manner, the conductor-in-conduit heater and/or the elongated member heater may be configured to operate throughout a temperature range without external control. A conductive material such as stainless steel may be used in the heat sources. Stainless steel may have a resistivity that increases with temperature, thus, providing a greater heat output at higher temperatures.

Leakage current of any of the heat sources described herein may be monitored. For example, an increase in leakage current may show deterioration in an insulated conductor heater. Voltage breakdown in the insulated conductor heater may cause failure of the heat source. Furthermore, a current and voltage applied to any of the heat sources may also be monitored. The current and voltage may be monitored to assess/indicate resistance in a heat source. The resistance in the heat source may be configured to represent a temperature in the heat source since the resistance of the heat source may be known as a function of temperature. Another alternative method may include monitoring a temperature of a heat source with at least one thermocouple placed in or proximate to the heat source. In some embodiments, a control system may monitor a parameter of the heat source. The control system may alter parameters of the heat source such that the heat source may provide a desired output such as heating rate and/or temperature increase.

In some embodiments, a thermowell may be disposed into an opening in a hydrocarbon containing formation that includes a heat source. The thermowell may be disposed in an opening that may or may not have a casing. In the opening without a casing, the thermowell may include appropriate metallurgy and thickness such that corrosion of the thermowell is substantially inhibited. A thermowell and temperature logging process, such as that described in U.S. Patent No. 4,616,705 issued to Stegemeier et al., which is incorporated by reference as if fully set forth herein, may be used to monitor temperature. Only selected wells may be equipped with thermowells to avoid expenses associated with installing and operating temperature monitors at each heat source.

In some embodiments, a heat source may be turned down and/or off after an average temperature in a formation may have reached a selected temperature. Turning down and/or off the heat source may reduce input energy costs, substantially inhibit overheating of the formation, and allow heat to substantially transfer into colder regions of the formation.

Certain embodiments include providing heat to a first portion of a hydrocarbon containing formation from one or more heat sources. In addition, certain embodiments may include producing formation fluids from the first portion, and maintaining a second portion of the formation in a substantially unheated condition. The second portion may be substantially adjacent to the first portion of the formation. In this manner, the second portion may provide structural strength to the formation. Furthermore, heat may also be provided to a third portion of the formation. The third portion may be substantially adjacent to the second portion and/or laterally spaced from the first portion. In addition, formation fluids may be produced from the third portion of the formation. In this manner, a processed formation may have a pattern that may resemble, for example, a striped or checkerboard pattern with alternating heated and unheated portions.

Additional portions of the formation may also include such alternating heated and unheated portions. In this manner, such patterned heating of a hydrocarbon containing formation may maintain structural strength within the formation. Maintaining structural strength within a hydrocarbon containing formation may substantially inhibit subsidence. Subsidence of a portion of the formation being processed may decrease a permeability of the processed portion due to compaction. In addition, subsidence may decrease the flow of fluids in the formation, which may result in a lower production of formation fluids.

A pyrolysis temperature range may depend on specific types of hydrocarbons within the formation. A pyrolysis temperature range may include temperatures, for example, between approximately 250 °C and about 900 °C. Alternatively, a pyrolysis temperature range may include temperatures between about 250 °C to about 400 °C. For example, a majority of formation fluids may be produced within a pyrolysis temperature range from about 250 °C to about 400 °C. If a hydrocarbon containing formation is heated throughout the entire pyrolysis range, the formation may produce only small amounts of hydrogen towards the upper limit of the pyrolysis range. After all of the available hydrogen has been depleted, little fluid production from the formation would occur.

Temperature (and average temperatures) within a heated hydrocarbon containing formation may vary, depending on, for example, proximity to a heat source, thermal conductivity and thermal diffusivity of the formation, type of reaction occurring, type of hydrocarbon containing formation, and the presence of water within the hydrocarbon containing formation. A temperature within the hydrocarbon containing formation may be assessed using a numerical simulation model. The numerical simulation model may assess and/or calculate a subsurface temperature distribution. In addition, the numerical simulation model may include assessing various properties of a subsurface formation under the assessed temperature distribution.

For example, the various properties of the subsurface formation may include, but are not limited to, thermal conductivity of the subsurface portion of the formation and permeability of the subsurface portion of the formation. The numerical simulation model may also include assessing various properties of a fluid formed within a subsurface formation under the assessed temperature distribution. For example, the various properties of a formed fluid may include, but are not limited to, a cumulative volume of a fluid formed at a subsurface of the formation, fluid viscosity, fluid density, and a composition of the fluid formed at a subsurface of the formation. Such a simulation may be used to assess the performance of commercial-scale operation of a small-scale field experiment as described herein. For example, a performance of a commercial-scale development may be assessed based on, but not limited to, a total volume of product that may be produced from a commercial-scale operation.

In some embodiments, an in situ conversion process may increase a temperature or average temperature within a hydrocarbon containing formation. A temperature or average temperature increase (ΔT) in a specified volume (V) of the hydrocarbon containing formation may be assessed for a given heat input rate (q) over time (t) by the following equation:

$$\Delta T = \frac{\sum(q * t)}{C_V * \rho_B * V}$$

In this equation, an average heat capacity of the formation (C_V) and an average bulk density of the formation (ρ_B) may be estimated or determined using one or more samples taken from the hydrocarbon containing formation.

In alternate embodiments, an in situ conversion process may include heating a specified volume to a pyrolysis temperature or average pyrolysis temperature. Heat input rate (q) during a time (t) required to heat the specified volume (V) to a desired temperature increase (ΔT) may be determined or assessed using the following equation: $\sum q * t = \Delta T * C_V * \rho_B * V$. In this equation, an average heat capacity of the formation (C_V) and an average bulk density of the formation (ρ_B) may be estimated or determined using one or more samples taken from the hydrocarbon containing formation.

It is to be understood that the above equations can be used to assess or estimate temperatures, average temperatures (e.g., over selected sections of the formation), heat input, etc. Such equations do not take into account other factors (such as heat losses) which would also have some effect on heating and temperatures assessments. However such factors can ordinarily be addressed with correction factors, as is commonly done in the art.

In some embodiments, a portion of a hydrocarbon containing formation may be heated at a heating rate in a range from about 0.1 °C/day to about 50 °C/day. Alternatively, a portion of a hydrocarbon containing formation may be heated at a heating rate in a range of about 0.1 °C/day to about 10 °C/day. For example, a majority of hydrocarbons may be produced from a formation at a heating rate within a range of about 0.1 °C/day to about 10 °C/day. In addition, a hydrocarbon containing formation may be heated at a rate of less than about 0.7 °C/day through a significant portion of a pyrolysis temperature range. The pyrolysis temperature range may include a range of temperatures as described in above embodiments. For example, the heated portion may be heated at such a rate for a time greater than 50 % of the time needed to span the temperature range, more than 75 % of the time needed to span the temperature range, or more than 90 % of the time needed to span the temperature range.

A rate at which a hydrocarbon containing formation is heated may affect the quantity and quality of the formation fluids produced from the hydrocarbon containing formation. For example, heating at high heating rates,

WO 01/81239

PCT/US01/13452

as is the case when a Fischer Assay is conducted, may produce a larger quantity of condensable hydrocarbons from a hydrocarbon containing formation. The products of such a process, however, may be of a significantly lower quality than when heating using heating rates less than about 10 °C/day. Heating at a rate of temperature increase less than approximately 10 °C/day may allow pyrolysis to occur within a pyrolysis temperature range in which production of undesirable products and tars may be reduced. In addition, a rate of temperature increase of less than about 3 °C/day may further increase the quality of the produced condensable hydrocarbons by further reducing the production of undesirable products and further reducing production of tars within a hydrocarbon containing formation.

In some embodiments, controlling temperature within a hydrocarbon containing formation may involve controlling a heating rate within the formation. For example, controlling the heating rate such that the heating rate may be less than approximately 3 °C/day may provide better control of a temperature within the hydrocarbon containing formation.

An in situ process for hydrocarbons may include monitoring a rate of temperature increase at a production well. A temperature within a portion of a hydrocarbon containing formation, however, may be measured at various locations within the portion of the hydrocarbon containing formation. For example, an in situ process may include monitoring a temperature of the portion at a midpoint between two adjacent heat sources. The temperature may be monitored over time. In this manner, a rate of temperature increase may also be monitored. A rate of temperature increase may affect a composition of formation fluids produced from the formation. As such, a rate of temperature increase may be monitored, altered and/or controlled, for example, to alter a composition of formation fluids produced from the formation.

In some embodiments, a power (P_{wr}) required to generate a heating rate (h) in a selected volume (V) of a hydrocarbon containing formation may be determined by the following equation: $P_{wr}=h*V*C_v*\rho$. In this equation, an average heat capacity of the hydrocarbon containing formation may be described as C_v . The average heat capacity of the hydrocarbon containing formation may be a relatively constant value. Average heat capacity may be estimated or determined using one or more samples taken from a hydrocarbon containing formation, or measured in situ using a thermal pulse test. Methods of determining average heat capacity based on a thermal pulse test are described by I. Berchenko, E. Detournay, N. Chandler, J. Martino, and E. Kozak, "In-situ measurement of some thermoporoelastic parameters of a granite" in *Poromechanics, A Tribute to Maurice A. Biot*, pages 545-550, Rotterdam, 1998 (Balkema), which is incorporated by reference as if fully set forth herein.

In addition, an average bulk density of the hydrocarbon containing formation may be described as ρ . The average bulk density of the hydrocarbon containing formation may be a relatively constant value. Average bulk density may be estimated or determined using one or more samples taken from a hydrocarbon containing formation. In certain embodiments the product of average heat capacity and average bulk density of the hydrocarbon containing formation may be a relatively constant value (such product can be assessed in situ using a thermal pulse test). A determined power may be used to determine heat provided from a heat source into the selected volume such that the selected volume may be heated at a heating rate, h . For example, a heating rate may be less than about 3 °C/day, and even less than about 2 °C/day. In this manner, a heating rate within a range of heating rates may be maintained within the selected volume. It is to be understood that in this context "power" is used to describe energy input per time. The form of such energy input may, however, vary as described herein (i.e., energy may be provided from electrical resistance heaters, combustion heaters, etc.).

WO 01/81239

PCT/US01/13452

The heating rate may be selected based on a number of factors including, but not limited to, the maximum temperature possible at the well, a predetermined quality of formation fluids that may be produced from the formation, etc. A quality of hydrocarbon fluids may be defined by an API gravity of condensable hydrocarbons, by olefin content, by the nitrogen, sulfur and/or oxygen content, etc. In an embodiment, heat may be provided to at least a portion of a hydrocarbon containing formation to produce formation fluids having an API gravity of greater than about 20°. The API gravity may vary, however, depending on, for example, the heating rate and a pressure within the portion of the formation.

In some embodiments, subsurface pressure in a hydrocarbon containing formation may correspond to the fluid pressure generated within the formation. Heating hydrocarbons within a hydrocarbon containing formation may generate fluids, for example, by pyrolysis. The generated fluids may be vaporized within the formation. Fluids that contribute to the increase in pressure may include, but are not limited to, fluids produced during pyrolysis and water vaporized during heating. The produced pyrolysis fluids may include, but are not limited to, hydrocarbons, water, oxides of carbon, ammonia, molecular nitrogen, and molecular hydrogen. Therefore, as temperatures within a selected section of a heated portion of the formation increase, a pressure within the selected section may increase as a result of increased fluid generation and vaporization of water.

In some embodiments, pressure within a selected section of a heated portion of a hydrocarbon containing formation may vary depending on, for example, depth, distance from a heat source, a richness of the hydrocarbons within the hydrocarbon containing formation, and/or a distance from a producer well. Pressure within a formation may be determined at a number of different locations, which may include but may not be limited to, at a wellhead and at varying depths within a wellbore. In some embodiments, pressure may be measured at a producer well. In alternate embodiments, pressure may be measured at a heater well.

Heating of a hydrocarbon containing formation to a pyrolysis temperature range may occur before substantial permeability has been generated within the hydrocarbon containing formation. An initial lack of permeability may prevent the transport of generated fluids from a pyrolysis zone within the formation. In this manner, as heat is initially transferred from a heat source to a hydrocarbon containing formation, a fluid pressure within the hydrocarbon containing formation may increase proximate to a heat source. Such an increase in fluid pressure may be caused by, for example, generation of fluids during pyrolysis of at least some hydrocarbons in the formation. The increased fluid pressure may be released, monitored, altered, and/or controlled through such a heat source. For example, the heat source may include a valve as described in above embodiments. Such a valve may be configured to control a flow rate of fluids out of and into the heat source. In addition, the heat source may include an open hole configuration through which pressure may be released.

Alternatively, pressure generated by expansion of pyrolysis fluids or other fluids generated in the formation may be allowed to increase although an open path to the production well or any other pressure sink may not yet exist in the formation. In addition, a fluid pressure may be allowed to increase to a lithostatic pressure. Fractures in the hydrocarbon containing formation may form when the fluid pressure equals or exceeds the lithostatic pressure. For example, fractures may form from a heat source to a production well. The generation of fractures within the heated portion may reduce pressure within the portion due to the production of formation fluids through a production well. To maintain a selected pressure within the heated portion, a back pressure may be maintained at the production well.

Fluid pressure within a hydrocarbon containing formation may vary depending upon, for example, thermal expansion of hydrocarbons, generation of pyrolysis fluids, and withdrawal of generated fluids from the

formation. For example, as fluids are generated within the formation a fluid pressure within the pores may increase. Removal of generated fluids from the formation may decrease a fluid pressure within the formation.

In an embodiment, a pressure may be increased within a selected section of a portion of a hydrocarbon containing formation to a selected pressure during pyrolysis. A selected pressure may be within a range from about 2 bars absolute to about 72 bars absolute or, in some embodiments, 2 bars absolute to 36 bars absolute. Alternatively, a selected pressure may be within a range from about 2 bars absolute to about 18 bars absolute. For example, in certain embodiments, a majority of hydrocarbon fluids may be produced from a formation having a pressure within a range from about 2 bars absolute to about 18 bars absolute. The pressure during pyrolysis may vary or be varied. The pressure may be varied to alter and/or control a composition of a formation fluid produced, to control a percentage of condensable fluid as compared to non-condensable fluid, and/or to control an API gravity of fluid being produced. For example, decreasing pressure may result in production of a larger condensable fluid component, and the fluid may contain a larger percentage of olefins, and vice versa.

In certain embodiments, pressure within a portion of a hydrocarbon containing formation will increase due to fluid generation within the heated portion. In addition, such increased pressure may be maintained within the heated portion of the formation. For example, increased pressure within the formation may be maintained by bleeding off a generated formation fluid through heat sources and/or by controlling the amount of formation fluid produced from the formation through production wells. Maintaining increased pressure within a formation inhibits formation subsidence. In addition, maintaining increased pressure within a formation tends to reduce the required sizes of collection conduits that are used to transport condensable hydrocarbons. Furthermore, maintaining increased pressure within the heated portion may reduce and/or substantially eliminate the need to compress formation fluids at the surface because the formation products will usually be produced at higher pressure. Maintaining increased pressure within a formation may also facilitate generation of electricity from produced non-condensable fluid. For example, the produced non-condensable fluid may be passed through a turbine to generate electricity.

Increased pressure in the formation may also be maintained to produce more and/or improved formation fluids. In certain embodiments, significant amounts (e.g., a majority) of the formation fluids produced from a formation within the pyrolysis pressure range may include non-condensable hydrocarbons. Pressure may be selectively increased and/or maintained within the formation, and formation fluids can be produced at or near such increased and/or maintained pressures. As pressure within a formation is increased, formation fluids produced from the formation will, in many instances, include a larger portion of non-condensable hydrocarbons. In this manner, a significant amount (e.g., a majority) of the formation fluids produced at such a pressure may include a lighter and higher quality condensable hydrocarbons than formation fluids produced at a lower pressure.

In addition, a pressure may be maintained within a heated portion of a hydrocarbon containing formation to substantially inhibit production of formation fluids having carbon numbers greater than, for example, about 25. For example, increasing a pressure within the portion of the hydrocarbon containing formation may increase a boiling point of a fluid within the portion. Such an increase in the boiling point of a fluid may substantially inhibit production of formation fluids having relatively high carbon numbers, and/or production of multi-ring hydrocarbon compounds, because such formation fluids tend to remain in the formation as liquids until they crack.

In addition, increasing a pressure within a portion of a hydrocarbon containing formation may result in an increase in API gravity of formation fluids produced from the formation. Higher pressures may increase production of shorter chain hydrocarbon fluids, which may have higher API gravity values.

5 In an embodiment, a pressure within a heated portion of the formation may surprisingly increase the quality of relatively high quality pyrolyzation fluids, the quantity of relatively high quality pyrolyzation fluids, and/or vapor phase transport of the pyrolyzation fluids within the formation. Increasing the pressure often permits production of lower molecular weight hydrocarbons since such lower molecular weight hydrocarbons will more readily transport in the vapor phase in the formation. Generation of lower molecular weight hydrocarbons (and corresponding increased vapor phase transport) is believed to be due, in part, to autogenous generation and
10 reaction of hydrogen within a portion of the hydrocarbon containing formation. For example, maintaining an increased pressure may force hydrogen generated in the heated portion into a liquid phase (e.g. by dissolving). In addition, heating the portion to a temperature within a pyrolysis temperature range may pyrolyze at least some of the hydrocarbons within the formation to generate pyrolyzation fluids in the liquid phase. The generated components may include a double bond and/or a radical. H₂ in the liquid phase may reduce the double bond of the generated pyrolyzation fluids, thereby reducing a potential for polymerization of the generated pyrolyzation
15 fluids. In addition, hydrogen may also neutralize radicals in the generated pyrolyzation fluids. Therefore, H₂ in the liquid phase may substantially inhibit the generated pyrolyzation fluids from reacting with each other and/or with other compounds in the formation. In this manner, shorter chain hydrocarbons may enter the vapor phase and may be produced from the formation.

20 Increasing the formation pressure to increase the amount of pyrolyzation fluids in the vapor phase may significantly reduce the potential for coking within the selected section of the formation. A coking reaction may occur in the liquid phase. Since many of the generated components may be transformed into short chain hydrocarbons and may enter the vapor phase, coking within the selected section may decrease.

25 Increasing the formation pressure to increase the amount of pyrolyzation fluids in the vapor phase is also beneficial because doing so permits increased recovery of lighter (and relatively high quality) pyrolyzation fluids. In general, pyrolyzation fluids are more quickly produced, with less residuals, when such fluids are in the vapor phase rather than in the liquid phase. Undesirable polymerization reactions also tend to occur more frequently when the pyrolyzation fluids are in the liquid phase instead of the vapor phase. In addition, when pyrolyzation fluids are produced in the vapor phase, fewer production wells/area are needed, thereby reducing project costs.

30 In an embodiment, a portion of a hydrocarbon containing formation may be heated to increase a partial pressure of H₂. In some embodiments, an increased H₂ partial pressure may include H₂ partial pressures in a range from about 1 bar absolute to about 7 bars absolute. Alternatively, an increased H₂ partial pressure range may include H₂ partial pressures in a range from about 5 bars absolute to about 7 bars absolute. For example, a majority of hydrocarbon fluids may be produced within a range of about 5 bars absolute to about 7 bars absolute.
35 A range of H₂ partial pressures within the pyrolysis H₂ partial pressure range may vary, however, depending on, for example, a temperature and a pressure of the heated portion of the formation.

Maintaining a H₂ partial pressure within the formation of greater than atmospheric pressure may increase an API value of produced condensable hydrocarbon fluids. For example, maintaining such a H₂ partial pressure may increase an API value of produced condensable hydrocarbon fluids to greater than about 25 or, in some
40 instances, greater than about 30. Maintaining such a H₂ partial pressure within a heated portion of a hydrocarbon containing formation may increase a concentration of H₂ within the heated portion such that H₂ may be available

to react with pyrolyzed components of the hydrocarbons. Reaction of H₂ with the pyrolyzed components of hydrocarbons may reduce polymerization of olefins into tars and other cross-linked, difficult to upgrade, products. Such products may have lower API gravity values. Therefore, production of hydrocarbon fluids having low API gravity values may be substantially inhibited.

5 A valve may be configured to maintain, alter, and/or control a pressure within a heated portion of a hydrocarbon containing formation. For example, a heat source disposed within a hydrocarbon containing formation may be coupled to a valve. The valve may be configured to release fluid from the formation through the heater source. In addition, a pressure valve may be coupled to a production well, which may be disposed within the hydrocarbon containing formation. In some embodiments, fluids released by the valves may be
10 collected and transported to a surface unit for further processing and/or treatment.

An in situ conversion process for hydrocarbons may include providing heat to a portion of a hydrocarbon containing formation, and controlling a temperature, rate of temperature increase, and/or a pressure within the heated portion. For example, a pressure within the heated portion may be controlled using pressure valves disposed within a heater well or a production well as described herein. A temperature and/or a rate of temperature
15 increase of the heated portion may be controlled, for example, by altering an amount of energy supplied to one or more heat sources.

Controlling a pressure and a temperature within a hydrocarbon containing formation will, in most instances, affect properties of the produced formation fluids. For example, a composition or a quality of formation fluids produced from the formation may be altered by altering an average pressure and/or an average
20 temperature in the selected section of the heated portion. The quality of the produced fluids may be defined by a property which may include, but may not be limited to, API gravity, percent olefins in the produced formation fluids, ethene to ethane ratio, atomic hydrogen to carbon ratio, percent of hydrocarbons within produced formation fluids having carbon numbers greater than 25, total equivalent production (gas and liquid), total liquids production, and/or liquid yield as a percent of Fischer Assay. For example, controlling the quality of the produced
25 formation fluids may include controlling average pressure and average temperature in the selected section such that the average assessed pressure in the selected section may be greater than the pressure (p) as set forth in the form of the following relationship for an assessed average temperature (T) in the selected section:

$$p = \exp\left[\frac{A}{T+B}\right]$$

30 where p is measured in psia (pounds per square inch absolute), T is measured in degrees Kelvin, A and B are parameters dependent on the value of the selected property. An assessed average temperature may be determined as described herein.

The relationship given above may be rewritten such that the natural log of pressure may be a linear function of an inverse of temperature. This form of the relationship may be rewritten: $\ln(p) = A/T + B$. In a plot
35 of the absolute pressure as a function of the reciprocal of the absolute temperature, A is the slope and B is the intercept. The intercept B is defined to be the natural logarithm of the pressure as the reciprocal of the temperature approaches zero. Therefore, the slope and intercept values (A and B) of the pressure-temperature relationship may be determined from two pressure-temperature data points for a given value of a selected property. The pressure-temperature data points may include an average pressure within a formation and an
40 average temperature within the formation at which the particular value of the property was, or may be, produced

WO 01/81239

PCT/US01/13452

from the formation. For example, the pressure-temperature data points may be obtained from an experiment such as a laboratory experiment or a field experiment.

A relationship between the slope parameter, A , and a value of a property of formation fluids may be determined. For example, values of A may be plotted as a function of values of a formation fluid property. A cubic polynomial may be fitted to these data. For example, a cubic polynomial relationship such as $A = a_1(\text{property})^3 + a_2(\text{property})^2 + a_3(\text{property}) + a_4$ may be fitted to the data, where a_1 , a_2 , a_3 , and a_4 are empirical constants that may describe a relationship between the first parameter, A , and a property of a formation fluid. Alternatively, relationships having other functional forms such as another order polynomial or a logarithmic function may be fitted to the data. In this manner, a_1 , a_2 , ..., may be estimated from the results of the data fitting. Similarly, a relationship between the second parameter, B , and a value of a property of formation fluids may be determined. For example, values of B may be plotted as a function of values of a property of a formation fluid. A cubic polynomial may also be fitted to the data. For example, a cubic polynomial relationship such as $B = b_1(\text{property})^3 + b_2(\text{property})^2 + b_3(\text{property}) + b_4$ may be fitted to the data, where b_1 , b_2 , b_3 , and b_4 are empirical constants that may describe a relationship between the parameter B , and the value of a property of a formation fluid. As such, b_1 , b_2 , b_3 , and b_4 may be estimated from results of fitting the data. For example, TABLES 1a and 1b list estimated empirical constants determined for several properties of a formation fluid for Green River oil shale as described above.

TABLE 1a

PROPERTY	A_1	A_2	a_3	a_4
API Gravity	-0.738549	-8.893902	4752.182	-145484.6
Ethene/Ethane Ratio	-15543409	3261335	-303588.8	-2767.469
Weight Percent of Hydrocarbons Having a Carbon Number Greater Than 25	0.1621956	-8.85952	547.9571	-24684.9
Atomic H/C Ratio	2950062	-16982456	32584767	-20846821
Liquid Production (gal/ton)	119.2978	-5972.91	96989	-524689
Equivalent Liquid Production (gal/ton)	-6.24976	212.9383	-777.217	-39353.47
% Fischer Assay	0.5026013	-126.592	9813.139	-252736

20 TABLE 1b

PROPERTY	b_1	b_2	b_3	B_4
API Gravity	0.003843	-0.279424	3.391071	96.67251
Ethene/Ethane Ratio	-8974.317	2593.058	-40.78874	23.31395
Weight Percent of Hydrocarbons Having a Carbon Number Greater Than 25	-0.0005022	0.026258	-1.12695	44.49521
Atomic H/C Ratio	790.0532	-4199.454	7328.572	-4156.599
Liquid Production (gal/ton)	-0.17808	8.914098	-144.999	793.2477
Equivalent Liquid Production (gal/ton)	-0.03387	2.778804	-72.6457	650.7211
% Fischer Assay	-0.0007901	0.196296	-15.1369	395.3574

WO 01/81239

PCT/US01/13452

To determine an average pressure and an average temperature that may be used to produce a formation fluid having a selected property, the value of the selected property and the empirical constants as described above may be used to determine values for the first parameter A , and the second parameter B , according to the following relationships:

$$A = a_1 * (\text{property})^3 + a_2 * (\text{property})^2 + a_3 * (\text{property}) + a_4$$

$$B = b_1 * (\text{property})^3 + b_2 * (\text{property})^2 + b_3 * (\text{property}) + b_4$$

For example, TABLES 2a-2g list estimated values for the parameter A , and approximate values for the parameter B , as determined for a selected property of a formation fluid as described above.

TABLE 2a

API Gravity		
20 degrees	-59906.9	83.46594
25 degrees	43778.5	66.85148
30 degrees	-30864.5	50.67593
35 degrees	-21718.5	37.82131
40 degrees	-16894.7	31.16965
45 degrees	-16946.8	33.60297

10

TABLE 2b

Ethene/Ethane Ratio		
0.20	-57379	83.145
0.10	-16056	27.652
0.05	-11736	21.986
0.01	-5492.8	14.234

TABLE 2c

Weight Percent of Hydrocarbons Having a Carbon Number Greater Than 25		
25 %	-14206	25.123
20 %	-15972	28.442
15 %	-17912	31.804
10 %	-19929	35.349
5 %	-21956	38.849
1 %	-24146	43.394

15

WO 01/81239

PCT/US01/13452

TABLE 2d

Atomic H/C Ratio		
1.7	-38360	60.531
1.8	-12635	23.989
1.9	-7953.1	17.889
2.0	-6613.1	16.364

TABLE 2e

Liquid Production (gal/ton)		
14 gal/ton	-10179	21.780
16 gal/ton	-13285	25.866
18 gal/ton	-18364	32.882
20 gal/ton	-19689	34.282

5

TABLE 2f

Equivalent Liquid Production (gal/ton)		
20 gal/ton	-19721	38.338
25 gal/ton	-23350	42.052
30 gal/ton	-39768.9	57.68

TABLE 2g

% Fischer Assay		
60 %	-11118	23.156
70 %	-13726	26.635
80 %	-20543	36.191
90 %	-28554	47.084

10

The determined values for the parameter A , and the parameter B , may be used to determine an average pressure in the selected section of the formation using an assessed average temperature, T , in the selected section. The assessed average temperature may be determined as described herein. For example, an average pressure of the selected section may be determined by the relationship: $p = \exp[(A/T) + B]$, in which p is measured in psia, and T is measured in degrees Kelvin. Alternatively, an average absolute pressure of the selected section, measured in bars, may be determined using the following relationship:

15

$p_{\text{bars}} = \exp[(A/T) + B - 2.6744]$. In this manner, an average pressure within the selected section may be controlled such that an average pressure within the selected section is adjusted to the average pressure as determined above, in order to produce a formation fluid from the selected section having a selected property.

Alternatively, the determined values for the parameter A , and the parameter B , may be used to determine an average temperature in the selected section of the formation using an assessed average pressure, p , in the selected section. The assessed average pressure may be determined as described herein. Therefore, using the relationship described above, an average temperature within the selected section may be controlled to approximate the calculated average temperature in order to produce hydrocarbon fluids having a selected property.

As described herein, a composition of formation fluids produced from a formation may be varied by altering at least one operating condition of an in situ conversion process for hydrocarbons. In addition, at least one operating condition may be determined by using a computer-implemented method. For example, an operating condition may include, but is not limited to, a pressure in the formation, a temperature in the formation, a heating rate of the formation, a power supplied to a heat source, and/or a flow rate of a synthesis gas generating fluid. The computer-implemented method may include measuring at least one property of the formation. For example, measured properties may include a thickness of a layer containing hydrocarbons, vitrinite reflectance, hydrogen content, oxygen content, moisture content, depth/width of the hydrocarbon containing formation, and other properties otherwise described herein.

At least one measured property may be inputted into a computer executable program. The program may be operable to determine at least one operating condition from a measured property. In addition, at least one property of selected formation fluids may be input into the program. For example, properties of selected formation fluids may include, but are not limited to, API gravity, olefin content, carbon number distribution, ethene to ethane ratio, and atomic carbon to hydrogen ratio. The program may also be operable to determine at least one operating condition from a property of the selected formation fluids. In this manner, an operating condition of an in situ conversion process may be altered to be approximate at least one determined operating condition such that production of selected formation fluids from the formation may increase.

In an embodiment, a computer-implemented method may be used to determine at least one property of a formation fluid that may be produced from a hydrocarbon containing formation for a set of operating conditions as a function of time. The method may include measuring at least one property of the formation and providing at least the one measured property to a computer program as described herein. In addition, one or more sets of operating conditions may also be provided to the computer program. At least one of the operating conditions may include, for example, a heating rate or a pressure. One or more sets of operating conditions may include currently used operating conditions (in an in situ conversion process) or operating conditions being considered for an in situ conversion process. The computer program may be operable to determine at least one property of a formation fluid that may be produced by an in situ conversion process for hydrocarbons as a function of time using at least one set of operating conditions and at least one measured property of the formation. Furthermore, the method may include comparing a determined property of the fluid to a selected property. In this manner, if multiple determined properties are generated by the computer program, then the determined property that differs least from a selected property may be determined.

Formation fluid properties may vary depending on a location of a production well in the formation. For example, a location of a production well with respect to a location of a heat source in the formation may affect the composition of formation fluid produced from a formation. In addition, a distance between a production well and a heat source in a formation may be varied to alter the composition of formation fluid produced from a formation. Decreasing a distance between a production well and a heat source may increase a temperature at the production well. In this manner, a substantial portion of pyrolyzation fluids flowing through a production well may in some

instances crack to non-condensable compounds due to increased temperature at a production well. Therefore, a location of a production well with respect to a heat source may be selected to increase a non-condensable gas fraction of the produced formation fluids. In addition, a location of a production well with respect to a heat source may be selected such that a non-condensable gas fraction of produced formation fluids may be larger than a condensable gas fraction of the produced formation fluids.

A carbon number distribution of a produced formation fluid may indicate a quality of the produced formation fluid. In general, condensable hydrocarbons with low carbon numbers are considered to be more valuable than condensable hydrocarbons having higher carbon numbers. Low carbon numbers may include, for example, carbon numbers less than about 25. High carbon numbers may include carbon numbers greater than about 25. In an embodiment, an in situ conversion process for hydrocarbons may include providing heat to at least a portion of a formation and allowing heat to transfer such that heat may produce pyrolyzation fluids such that a majority of the pyrolyzation fluids have carbon numbers of less than approximately 25.

In an embodiment, an in situ conversion process for hydrocarbons may include providing heat to at least a portion of a hydrocarbon containing formation at a rate sufficient to alter and/or control production of olefins. For example, the process may include heating the portion at a rate to produce formation fluids having an olefin content of less than about 10 % by weight of condensable hydrocarbons of the formation fluids. Reducing olefin production may substantially reduce coating of a pipe surface by such olefins, thereby reducing difficulty associated with transporting hydrocarbons through such piping. Reducing olefin production may also tend to inhibit polymerization of hydrocarbons during pyrolysis, thereby increasing permeability in the formation and/or enhancing the quality of produced fluids (e.g., by lowering the carbon number distribution, increasing API gravity, etc.).

In some embodiments, however, the portion may be heated at a rate to selectively increase the olefin content of condensable hydrocarbons in the produced fluids. For example, olefins may be separated from such condensable hydrocarbons and may be used to produce additional products.

In some embodiments, the portion may be heated at a rate to selectively increase the content of phenol and substituted phenols of condensable hydrocarbons in the produced fluids. For example, phenol and/or substituted phenols may be separated from such condensable hydrocarbons and may be used to produce additional products. The resource may, in some embodiments, be selected to enhance production of phenol and/or substituted phenols.

Hydrocarbons in the produced fluids may include a mixture of a number of different components, some of which are condensable and some of which are not. The fraction of non-condensable hydrocarbons within the produced fluid may be altered and/or controlled by altering, controlling, and/or maintaining a temperature within a pyrolysis temperature range in a heated portion of the hydrocarbon containing formation. Additionally, the fraction of non-condensable hydrocarbons within the produced fluids may be altered and/or controlled by altering, controlling, and/or maintaining a pressure within the heated portion. In some embodiments, surface facilities may be configured to separate condensable and non-condensable hydrocarbons of a produced fluid.

In some embodiments, the non-condensable hydrocarbons may include, but are not limited to, hydrocarbons having less than about 5 carbon atoms, H₂, CO₂, ammonia, H₂S, N₂ and/or CO. In certain embodiments, non-condensable hydrocarbons of a fluid produced from a portion of a hydrocarbon containing formation may have a weight ratio of hydrocarbons having carbon numbers from 2 through 4 ("C₂₋₄" hydrocarbons) to methane of greater than about 0.3, greater than about 0.75, or greater than about 1 in some

WO 01/81239

PCT/US01/13452

circumstances. For example, non-condensable hydrocarbons of a fluid produced from a portion of an oil shale or heavy hydrocarbon containing formation may have a weight ratio of hydrocarbons having carbon numbers from 2 through 4, to methane, of greater than approximately 1. In addition, non-condensable hydrocarbons of a fluid produced from a portion of a coal containing formation may have a weight ratio of hydrocarbons having carbon numbers from 2 through 4, to methane, of greater than approximately 0.3.

Such weight ratios of C₂₋₄ hydrocarbons to methane are believed to be beneficial as compared to similar weight ratios produced from other formations. Such weight ratios indicate higher amounts of hydrocarbons with 2, 3, and/or 4 carbons (e.g., ethane, propane, and butane) than is normally present in gases produced from formations. Such hydrocarbons are often more valuable. Production of hydrocarbons with such weight ratios is believed to be due to the conditions applied to the formation during pyrolysis (e.g., controlled heating and/or pressure used in reducing environments, or at least non-oxidizing environments). It is believed that in such conditions longer chain hydrocarbons can be more easily broken down to form substantially smaller (and in many cases more saturated) compounds such as C₂₋₄ hydrocarbons. The C₂₋₄ hydrocarbons to methane weight ratio may vary depending on, for example, a temperature of the heated portion and a heating rate of the heated portion.

In certain embodiments, the API gravity of the hydrocarbons in a fluid produced from a hydrocarbon containing formation may be approximately 25 or above (e.g., 30, 40, 50, etc.).

Methane and at least a portion of ethane may be separated from non-condensable hydrocarbons in the produced fluid and may be utilized as natural gas. A portion of propane and butane may be separated from non-condensable hydrocarbons of the produced fluid. In addition, the separated propane and butane may be utilized as fuels or as feedstocks for producing other hydrocarbons. A portion of the produced fluid having carbon numbers less than 4 may be reformed, as described herein, in the formation to produce additional H₂ and/or methane. In addition, ethane, propane, and butane may be separated from the non-condensable hydrocarbons and may be used to generate olefins.

The non-condensable hydrocarbons of fluid produced from a hydrocarbon containing formation may have a H₂ content of greater than about 5 % by weight, greater than 10 % by weight, or even greater than 15 % by weight. The H₂ may be used, for example, as a fuel for a fuel cell, to hydrogenate hydrocarbon fluids in situ, and/or to hydrogenate hydrocarbon fluids ex situ. In addition, presence of H₂ within a formation fluid in a heated section of a hydrocarbon containing formation is believed to increase the quality of produced fluids. In certain embodiments, the hydrogen to carbon atomic ratio of a produced fluid may be at least approximately 1.7 or above. For example, the hydrogen to carbon atomic ratio of a produced fluid may be approximately 1.8, approximately 1.9, or greater.

The non-condensable hydrocarbons may include some hydrogen sulfide. The non-condensable hydrocarbons may be treated to separate the hydrogen sulfide from other compounds in the non-condensable hydrocarbons. The separated hydrogen sulfide may be used to produce, for example, sulfuric acid, fertilizer, and/or elemental sulfur.

In certain embodiments, fluid produced from a hydrocarbon containing formation by an in situ conversion process may include carbon dioxide. Carbon dioxide produced from the formation may be used, for example, for enhanced oil recovery, as at least a portion of a feedstock for production of urea, and/or may be reinjected into a hydrocarbon containing formation for synthesis gas production and/or coal bed methane production.

Fluid produced from a hydrocarbon containing formation by an in situ conversion process may include carbon monoxide. Carbon monoxide produced from the formation may be used, for example, as a feedstock for a fuel cell, as a feedstock for a Fischer Tropsch process, as a feedstock for production of methanol, and/or as a feedstock for production of methane.

5 The condensable hydrocarbons of the produced fluids may be separated from the fluids. In an embodiment, a condensable component may include condensable hydrocarbons and compounds found in an aqueous phase. The aqueous phase may be separated from the condensable component. The ammonia content of the total produced fluids may be greater than about 0.1 % by weight of the fluid, greater than about 0.5 % by weight of the fluid, and, in some embodiments, up to about 10 % by weight of the produced fluids. The ammonia
10 may be used to produce, for example, urea.

Certain embodiments of a fluid may be produced in which a majority of hydrocarbons in the produced fluid have a carbon number of less than approximately 25. Alternatively, less than about 15 % by weight of the hydrocarbons in the condensable hydrocarbons have a carbon number greater than approximately 25. In some
15 embodiments, less than about 5 % by weight of hydrocarbons in the condensable hydrocarbons have a carbon number greater than approximately 25, and/or less than about 2 % by weight of hydrocarbons in the condensable hydrocarbons have a carbon number greater than approximately 25.

In certain embodiments, a fluid produced from a formation (e.g., a coal containing formation) may include oxygenated hydrocarbons. For example, condensable hydrocarbons of the produced fluid may include an amount of oxygenated hydrocarbons greater than about 5 % by weight of the condensable hydrocarbons.
20 Alternatively, the condensable hydrocarbons may include an amount of oxygenated hydrocarbons greater than about 1.0 % by weight of the condensable hydrocarbons. Furthermore, the condensable hydrocarbons may include an amount of oxygenated hydrocarbons greater than about 1.5 % by weight of the condensable hydrocarbons or greater than about 2.0 % by weight of the condensable hydrocarbons. In an embodiment, the oxygenated hydrocarbons may include, but are not limited to, phenol and/or substituted phenols. In some
25 embodiments, phenol and substituted phenols may have more economic value than other products produced from an in situ conversion process. Therefore, an in situ conversion process may be utilized to produce phenol and/or substituted phenols. For example, generation of phenol and/or substituted phenols may increase when a fluid pressure within the formation is maintained at a lower pressure.

In some embodiments, condensable hydrocarbons of a fluid produced from a hydrocarbon containing
30 formation may also include olefins. For example, an olefin content of the condensable hydrocarbons may be in a range from about 0.1 % by weight to about 15 % by weight. Alternatively, an olefin content of the condensable hydrocarbons may also be within a range from about 0.1 % by weight to about 5 % by weight. Furthermore, an olefin content of the condensable hydrocarbons may also be within a range from about 0.1 % by weight to about 2.5 % by weight. An olefin content of the condensable hydrocarbons may be altered and/or controlled by
35 controlling a pressure and/or a temperature within the formation. For example, olefin content of the condensable hydrocarbons may be reduced by selectively increasing pressure within the formation, by selectively decreasing temperature within the formation, by selectively reducing heating rates within the formation, and/or by selectively increasing hydrogen partial pressures in the formation. In some embodiments, a reduced olefin content of the condensable hydrocarbons may be preferred. For example, if a portion of the produced fluids is used to produce
40 motor fuels, a reduced olefin content may be desired.

In alternate embodiments, a higher olefin content may be preferred. For example, if a portion of the condensable hydrocarbons may be sold, a higher olefin content may be preferred due to a high economic value of olefin products. In some embodiments, olefins may be separated from the produced fluids and then sold and/or used as a feedstock for the production of other compounds.

5 Non-condensable hydrocarbons of a produced fluid may also include olefins. For example, an olefin content of the non-condensable hydrocarbons may be gauged using an ethene/ethane molar ratio. In certain embodiments, the ethene/ethane molar ratio may range from about 0.001 to about 0.15.

10 Fluid produced from a hydrocarbon containing formation may include aromatic compounds. For example, the condensable hydrocarbons may include an amount of aromatic compounds greater than about 20 % by weight or about 25 % by weight of the condensable hydrocarbons. Alternatively, the condensable hydrocarbons may include an amount of aromatic compounds greater than about 30 % by weight of the condensable hydrocarbons. The condensable hydrocarbons may also include relatively low amounts of compounds with more than two rings in them (e.g., tri-aromatics or above). For example, the condensable hydrocarbons may include less than about 1 % by weight or less than about 2 % by weight of tri-aromatics or
15 above in the condensable hydrocarbons. Alternatively, the condensable hydrocarbons may include less than about 5 % by weight of tri-aromatics or above in the condensable hydrocarbons.

In particular, in certain embodiments, asphaltenes (i.e., large multi-ring aromatics that may be substantially soluble in hydrocarbons) make up less than about 0.1 % by weight of the condensable hydrocarbons. For example, the condensable hydrocarbons may include an asphaltene component of from about 0.0 % by weight
20 to about 0.1 % by weight or, in some embodiments, less than about 0.3 % by weight.

Condensable hydrocarbons of a produced fluid may also include relatively large amounts of cycloalkanes. For example, the condensable hydrocarbons may include a cycloalkane component of from about 5 % by weight to about 30 % by weight of the condensable hydrocarbons.

In certain embodiments, the condensable hydrocarbons of a fluid produced from a formation may include
25 compounds containing nitrogen. For example, less than about 1% by weight (when calculated on an elemental basis) of the condensable hydrocarbons may be nitrogen (e.g., typically the nitrogen may be in nitrogen containing compounds such as pyridines, amines, amides, carbazoles, etc.).

In certain embodiments, the condensable hydrocarbons of a fluid produced from a formation may include
30 compounds containing oxygen. For example, in certain embodiments (e.g., for oil shale and heavy hydrocarbons) less than about 1 % by weight (when calculated on an elemental basis) of the condensable hydrocarbons may be oxygen containing compounds (e.g., typically the oxygen may be in oxygen containing compounds such as phenol, substituted phenols, ketones, etc.). In certain other embodiments, (e.g., for coal containing formations) between about 5 % by weight and about 30 % by weight of the condensable hydrocarbons may typically include oxygen containing compounds such as phenols, substituted phenols, ketones, etc. In some instances, certain
35 compounds containing oxygen (e.g., phenols) may be valuable and, as such, may be economically separated from the produced fluid.

In certain embodiments, condensable hydrocarbons of the fluid produced from a formation may include
40 compounds containing sulfur. For example, less than about 1 % by weight (when calculated on an elemental basis) of the condensable hydrocarbons may be sulfur (e.g., typically the sulfur containing compounds may include compounds such as thiophenes, mercaptans, etc.).

WO 01/81239

PCT/US01/13452

Furthermore, the fluid produced from the formation may include ammonia (typically the ammonia may condense with water, if any, produced from the formation). For example, the fluid produced from the formation may in certain embodiments include about 0.05 % or more by weight of ammonia. Certain formations (e.g., coal and/or oil shale) may produce larger amounts of ammonia (e.g., up to about 10% by weight of the total fluid produced may be ammonia).

In addition, a produced fluid from the formation may also include molecular hydrogen (H₂). For example, the fluid may include a H₂ content between about 10 % to about 80 % by volume of the non-condensable hydrocarbons.

In some embodiments, at least about 15 % by weight of a total organic carbon content of hydrocarbons in the portion may be transformed into hydrocarbon fluids.

A total potential amount of products that may be produced from hydrocarbons may be determined by a Fischer Assay. The Fischer Assay is a standard method that involves heating a sample of hydrocarbons to approximately 500 °C in one hour, collecting products produced from the heated sample, and quantifying the products. In an embodiment, a method for treating a hydrocarbon containing formation in situ may include heating a section of the formation to yield greater than about 60 % by weight of the potential amount of products from the hydrocarbons as measured by the Fischer Assay.

In certain embodiments, heating of the selected section of the formation may be controlled to pyrolyze at least about 20 % by weight (or in some embodiments about 25 % by weight) of the hydrocarbons within the selected section of the formation. Conversion of hydrocarbons within a formation may be limited to inhibit subsidence of the formation.

Heating at least a portion of a formation may cause at least some of the hydrocarbons within the portion to pyrolyze, thereby forming hydrocarbon fragments. The hydrocarbon fragments may be reactive and may react with other compounds in the formation and/or with other hydrocarbon fragments produced by pyrolysis. Reaction of the hydrocarbon fragments with other compounds and/or with each other, however, may reduce production of a selected product. A reducing agent in or provided to the portion of the formation during heating, however, may increase production of the selected product. An example of a reducing agent may include, but may not be limited to, H₂. For example, the reducing agent may react with the hydrocarbon fragments to form a selected product.

In an embodiment, molecular hydrogen may be provided to the formation to create a reducing environment. A hydrogenation reaction between the molecular hydrogen and at least some of the hydrocarbons within a portion of the formation may generate heat. The generated heat may be used to heat the portion of the formation. Molecular hydrogen may also be generated within the portion of the formation. In this manner, the generated H₂ may be used to hydrogenate hydrocarbon fluids within a portion of a formation.

For example, H₂ may be produced from a first portion of the hydrocarbon containing formation. The H₂ may be produced as a component of a fluid produced from a first portion. For example, at least a portion of fluids produced from a first portion of the formation may be provided to a second portion of the formation to create a reducing environment within the second portion. The second portion of the formation may be heated as described herein. In addition, produced H₂ may be provided to a second portion of the formation. For example, a partial pressure of H₂ within the produced fluid may be greater than a pyrolysis H₂ partial pressure, as measured at a well from which the produced fluid may be produced.

For example, a portion of a hydrocarbon containing formation may be heated in a reducing environment. The presence of a reducing agent during pyrolysis of at least some of the hydrocarbons in the heated portion may

reduce (e.g., at least partially saturate) at least some of the pyrolyzed product. Reducing the pyrolyzed product may decrease a concentration of olefins in hydrocarbon fluids. Reducing the pyrolysis products may improve the product quality of the hydrocarbon fluids.

5 An embodiment of a method for treating a hydrocarbon containing formation in situ may include generating H₂ and hydrocarbon fluids within the formation. In addition, the method may include hydrogenating the generated hydrocarbon fluids using the H₂ within the formation. In some embodiments, the method may also include providing the generated H₂ to a portion of the formation.

10 In an embodiment, a method of treating a portion of a hydrocarbon containing formation may include heating the portion such that a thermal conductivity of a selected section of the heated portion increases. For example, porosity and permeability within a selected section of the portion may increase substantially during heating such that heat may be transferred through the formation not only by conduction but also by convection and/or by radiation from a heat source. In this manner, such radiant and convective transfer of heat may increase an apparent thermal conductivity of the selected section and, consequently, the thermal diffusivity. The large apparent thermal diffusivity may make heating at least a portion of a hydrocarbon containing formation from heat sources feasible. For example, a combination of conductive, radiant, and/or convective heating may accelerate heating. Such accelerated heating may significantly decrease a time required for producing hydrocarbons and may significantly increase the economic feasibility of commercialization of an in situ conversion process. In a further embodiment, the in situ conversion process for a hydrocarbon containing formation may also include providing heat to the heated portion to increase a thermal conductivity of a selected section to greater than about 15 0.5 W/(m °C) or about 0.6 W/(m °C). 20

In some embodiments, an in situ conversion process for a coal formation may increase the rank level of coal within a heated portion of the coal. The increase in rank level, as assessed by the vitrinite reflectance, of the coal may coincide with a substantial change of the structure (e.g., molecular changes in the carbon structure) of the coal. The changed structure of the coal may have a higher thermal conductivity.

25 Thermal diffusivity within a hydrocarbon containing formation may vary depending on, for example, a density of the hydrocarbon containing formation, a heat capacity of the formation, and a thermal conductivity of the formation. As pyrolysis occurs within a selected section, the hydrocarbon containing formation mass may be removed from the selected section. The removal of mass may include, but is not limited to, removal of water and a transformation of hydrocarbons to formation fluids. For example, a lower thermal conductivity may be expected as water is removed from a coal containing formation. This effect may vary significantly at different 30 depths. At greater depths a lithostatic pressure may be higher, and may close certain openings (e.g., cleats and/or fractures) in the coal. The closure of the coal openings may increase a thermal conductivity of the coal. In some embodiments, a higher thermal conductivity may be observed due to a higher lithostatic pressure.

35 In some embodiments, an in situ conversion process may generate molecular hydrogen during the pyrolysis process. In addition, pyrolysis tends to increase the porosity/void spaces in the formation. Void spaces in the formation may contain hydrogen gas generated by the pyrolysis process. Hydrogen gas may have about six times the thermal conductivity of nitrogen or air. This may raise the thermal conductivity of the formation.

40 Certain embodiments described herein will in many instances be able to economically treat formations that were previously believed to be uneconomical. Such treatment will be possible because of the surprising increases in thermal conductivity and thermal diffusivity that can be achieved with such embodiments. These surprising results are illustrated by the fact that prior literature indicated that certain hydrocarbon containing

WO 01/81239

PCT/US01/13452

formations, such as coal, exhibited relatively low values for thermal conductivity and thermal diffusivity when heated. For example, in government report No. 8364 by J. M. Singer and R. P. Tye entitled "Thermal, Mechanical, and Physical Properties of Selected Bituminous Coals and Cokes," U.S. Department of the Interior, Bureau of Mines (1979), the authors report the thermal conductivity and thermal diffusivity for four bituminous coals. This government report includes graphs of thermal conductivity and diffusivity that show relatively low values up to about 400 °C (e.g., thermal conductivity is about 0.2 W/(m °C) or below, and thermal diffusivity is below about 1.7×10^{-3} cm²/s). This government report states that "coals and cokes are excellent thermal insulators."

In contrast, in certain embodiments described herein hydrocarbon containing resources (e.g., coal) may be treated such that the thermal conductivity and thermal diffusivity are significantly higher (e.g., thermal conductivity at or above about 0.5 W/(m °C) and thermal diffusivity at or above 4.1×10^{-3} cm²/s) than would be expected based on previous literature such as government report No. 8364. If treated as described in certain embodiments herein, coal does not act as "an excellent thermal insulator." Instead, heat can and does transfer and/or diffuse into the formation at significantly higher (and better) rates than would be expected according to the literature, thereby significantly enhancing economic viability of treating the formation.

In an embodiment, heating a portion of a hydrocarbon containing formation in situ to a temperature less than an upper pyrolysis temperature may increase permeability of the heated portion. For example, permeability may increase due to formation of fractures within the heated portion caused by application of heat. As a temperature of the heated portion increases, water may be removed due to vaporization. The vaporized water may escape and/or be removed from the formation. Removal of water may also increase the permeability of the heated portion. In addition, permeability of the heated portion may also increase as a result of production of hydrocarbons from pyrolysis of at least some of the hydrocarbons within the heated portion on a macroscopic scale. In an embodiment, a permeability of a selected section within a heated portion of a hydrocarbon containing formation may be substantially uniform. For example, heating by conduction may be substantially uniform, and thus a permeability created by conductive heating may also be substantially uniform. In the context of this patent "substantially uniform permeability" means that the assessed (e.g., calculated or estimated) permeability of any selected portion in the formation does not vary by more than a factor of 10 from the assessed average permeability of such selected portion.

Permeability of a selected section within the heated portion of the hydrocarbon containing formation may also rapidly increase while the selected section is heated by conduction. For example, permeability of an impermeable hydrocarbon containing formation may be less than about 0.1 millidarcy (9.9×10^{-17} m²) before treatment. In some embodiments, pyrolyzing at least a portion of a hydrocarbon containing formation may increase a permeability within a selected section of the portion to greater than about 10 millidarcy, 100 millidarcy, 1 Darcy, 10 Darcy, 20 Darcy, or 50 Darcy. Therefore, a permeability of a selected section of the portion may increase by a factor of more than about 1,000, 10,000, or 100,000.

In some embodiments, superposition (e.g., overlapping) of heat from one or more heat sources may result in substantially uniform heating of a portion of a hydrocarbon containing formation. Since formations during heating will typically have temperature profiles throughout them, in the context of this patent "substantially uniform" heating means heating such that the temperatures in a majority of the section do not vary by more than 100 °C from the assessed average temperature in the majority of the selected section (volume) being treated.

Substantially uniform heating of the hydrocarbon containing formation may result in a substantially uniform increase in permeability. For example, uniformly heating may generate a series of substantially uniform fractures within the heated portion due to thermal stresses generated in the formation. Heating substantially uniformly may generate pyrolysis fluids from the portion in a substantially homogeneous manner. Water removed due to vaporization and production may result in increased permeability of the heated portion. In addition to creating fractures due to thermal stresses, fractures may also be generated due to fluid pressure increase. As fluids are generated within the heated portion a fluid pressure within the heated portion may also increase. As the fluid pressure approaches a lithostatic pressure of the heated portion, fractures may be generated. Substantially uniform heating and homogeneous generation of fluids may generate substantially uniform fractures within the heated portion. In some embodiments, a permeability of a heated section of a hydrocarbon containing formation may not vary by more than a factor of about 10.

Removal of hydrocarbons due to treating at least a portion of a hydrocarbon containing formation, as described in any of the above embodiments, may also occur on a microscopic scale. Hydrocarbons may be removed from micropores within the portion due to heating. Micropores may be generally defined as pores having a cross-sectional dimension of less than about 1000 Å. In this manner, removal of solid hydrocarbons may result in a substantially uniform increase in porosity within at least a selected section of the heated portion. Heating the portion of a hydrocarbon containing formation, as described in any of the above embodiments, may substantially uniformly increase a porosity of a selected section within the heated portion. In the context of this patent "substantially uniform porosity" means that the assessed (e.g., calculated or estimated) porosity of any selected portion in the formation does not vary by more than about 25 % from the assessed average porosity of such selected portion.

Physical characteristics of a portion of a hydrocarbon containing formation after pyrolysis may be similar to those of a porous bed. For example, a portion of a hydrocarbon containing formation after pyrolysis may include particles having sizes of about several millimeters. Such physical characteristics may differ from physical characteristics of a hydrocarbon containing formation that may be subjected to injection of gases that burn hydrocarbons in order to heat the hydrocarbons. Such gases injected into virgin or fractured formations may tend to channel and may not be uniformly distributed throughout the formation. In contrast, a gas injected into a pyrolyzed portion of a hydrocarbon containing formation may readily and substantially uniformly contact the carbon and/or hydrocarbons remaining in the formation. In addition, gases produced by heating the hydrocarbons may be transferred a significant distance within the heated portion of the formation with a minimal pressure loss. Such transfer of gases may be particularly advantageous, for example, in treating a steeply dipping hydrocarbon containing formation.

Synthesis gas may be produced from a portion of a hydrocarbon containing formation containing, e.g., coal, oil shale, other kerogen containing formations, heavy hydrocarbons (tar sands, etc.) and other bitumen containing formations. The hydrocarbon containing formation may be heated prior to synthesis gas generation to produce a substantially uniform, relatively high permeability formation. In an embodiment, synthesis gas production may be commenced after production of pyrolysis fluids has been substantially exhausted or becomes uneconomical. Alternately, synthesis gas generation may be commenced before substantial exhaustion or uneconomical pyrolysis fluid production has been achieved if production of synthesis gas will be more economically favorable. Formation temperatures will usually be higher than pyrolysis temperatures during synthesis gas generation. Raising the formation temperature from pyrolysis temperatures to synthesis gas

WO 01/81239

PCT/US01/13452

generation temperatures allows further utilization of heat applied to the formation to pyrolyze the formation. While raising a temperature of a formation from pyrolysis temperatures to synthesis gas temperatures, methane and/or H₂ may be produced from the formation.

Producing synthesis gas from a formation from which pyrolyzation fluids have been previously removed allows a synthesis gas to be produced that includes mostly H₂, CO, water and/or CO₂. Produced synthesis gas, in certain embodiments, may have substantially no hydrocarbon component unless a separate source hydrocarbon stream is introduced into the formation with or in addition to the synthesis gas producing fluid. Producing synthesis gas from a substantially uniform, relatively high permeability formation that was formed by slowly heating a formation through pyrolysis temperatures may allow for easy introduction of a synthesis gas generating fluid into the formation, and may allow the synthesis gas generating fluid to contact a relatively large portion of the formation. The synthesis gas generating fluid can do so because the permeability of the formation has been increased during pyrolysis and/or because the surface area per volume in the formation has increased during pyrolysis. The relatively large surface area (e.g., "contact area") in the post-pyrolysis formation tends to allow synthesis gas generating reactions to be substantially at equilibrium conditions for C, H₂, CO, water and CO₂. Reactions in which methane is formed may, however, not be at equilibrium because they are kinetically limited. The relatively high, substantially uniform formation permeability may allow production wells to be spaced farther apart than production wells used during pyrolysis of the formation.

A temperature of at least a portion of a formation that is used to generate synthesis gas may be raised to a synthesis gas generating temperature (e.g., between about 400 °C and about 1200 °C). In some embodiments composition of produced synthesis gas may be affected by formation temperature, by the temperature of the formation adjacent to synthesis gas production wells, and/or by residence time of the synthesis gas components. A relatively low synthesis gas generation temperature may produce a synthesis gas having a high H₂ to CO ratio, but the produced synthesis gas may also include a large portion of other gases such as water, CO₂, and methane. A relatively high formation temperature may produce a synthesis gas having a H₂ to CO ratio that approaches 1, and the stream may include mostly (and in some cases substantially only) H₂ and CO. If the synthesis gas generating fluid is substantially pure steam, then the H₂ to CO ratio may approach 1 at relatively high temperatures. At a formation temperature of about 700 °C, the formation may produce a synthesis gas with a H₂ to CO ratio of about 2 at a certain pressure. The composition of the synthesis gas tends to depend on the nature of the synthesis gas generating fluid.

Synthesis gas generation is generally an endothermic process. Heat may be added to a portion of a formation during synthesis gas production to keep formation temperature at a desired synthesis gas generating temperature or above a minimum synthesis gas generating temperature. Heat may be added to the formation from heat sources, from oxidation reactions within the portion, and/or from introducing synthesis gas generating fluid into the formation at a higher temperature than the temperature of the formation.

An oxidant may be introduced into a portion of the formation with synthesis gas generating fluid. The oxidant may exothermically react with carbon within the portion of the formation to heat the formation. Oxidation of carbon within a formation may allow a portion of a formation to be economically heated to relatively high synthesis gas generating temperatures. The oxidant may also be introduced into the formation without synthesis gas generating fluid to heat the portion. Using an oxidant, or an oxidant and heat sources, to heat the portion of the formation may be significantly more favorable than heating the portion of the formation with only the heat sources. The oxidant may be, but is not limited to, air, oxygen, or oxygen enriched air. The oxidant may

WO 01/81239

PCT/US01/13452

react with carbon in the formation to produce CO₂ and/or CO. The use of air, or oxygen enriched air (i.e., air with an oxygen content greater than 21% by volume), to generate heat within the formation may cause a significant portion of N₂ to be present in produced synthesis gas. Temperatures in the formation may be maintained below temperatures needed to generate oxides of nitrogen (NO_x), so that little or no NO_x compounds may be present in produced synthesis gas.

A mixture of steam and oxygen, or steam and air, may be substantially continuously injected into a formation. If injection of steam and oxygen is used for synthesis gas production, the oxygen may be produced on site by electrolysis of water utilizing direct current output of a fuel cell. H₂ produced by the electrolysis of water may be used as a fuel stream for the fuel cell. O₂ produced by the electrolysis of water may be injected into the hot formation to raise a temperature of the formation.

Heat sources and/or production wells within a formation for pyrolyzing and producing pyrolysis fluids from the formation may be utilized for different purposes during synthesis gas production. A well that was used as a heat source or a production well during pyrolysis may be used as an injection well to introduce synthesis gas producing fluid into the formation. A well that was used as a heat source or a production well during pyrolysis may be used as a production well during synthesis gas generation. A well that was used as a heat source or a production well during pyrolysis may be used as a heat source to heat the formation during synthesis gas generation. Synthesis gas production wells may be spaced further apart than pyrolysis production wells because of the relatively high, substantially uniform permeability of the formation. Synthesis gas production wells may be heated to relatively high temperatures so that a portion of the formation adjacent to the production well is at a temperature that will produce a desired synthesis gas composition. Comparatively, pyrolysis fluid production wells may not be heated at all, or may only be heated to a temperature that will inhibit condensation of pyrolysis fluid within the production well.

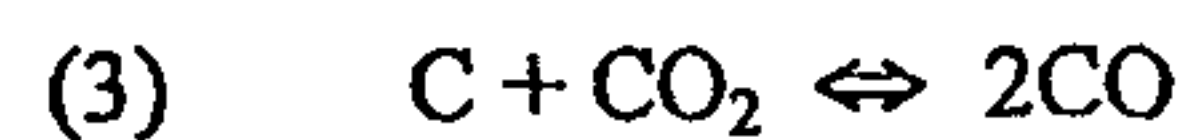
Synthesis gas may be produced from a dipping formation from wells used during pyrolysis of the formation. As shown in FIG. 4, synthesis gas production wells 206 may be located above and down dip from an injection well 208. Hot synthesis gas producing fluid may be introduced into injection well 208. Hot synthesis gas fluid that moves down dip may generate synthesis gas that is produced through synthesis gas production wells 206. Synthesis gas generating fluid that moves up dip may generate synthesis gas in a portion of the formation that is at synthesis gas generating temperatures. A portion of the synthesis gas generating fluid and generated synthesis gas that moves up dip above the portion of the formation at synthesis gas generating temperatures may heat adjacent formation. The synthesis gas generating fluid that moves up dip may condense, heat adjacent portions of formation, and flow downwards towards or into a portion of the formation at synthesis gas generating temperature. The synthesis gas generating fluid may then generate additional synthesis gas.

Synthesis gas generating fluid may be any fluid capable of generating H₂ and CO within a heated portion of a formation. Synthesis gas generating fluid may include water, O₂, air, CO₂, hydrocarbon fluids, or combinations thereof. Water may be introduced into a formation as a liquid or as steam. Water may react with carbon in a formation to produce H₂, CO, and CO₂. CO₂ may react with hot carbon to form CO. Air and O₂ may be oxidants that react with carbon in a formation to generate heat and form CO₂, CO, and other compounds. Hydrocarbon fluids may react within a formation to form H₂, CO, CO₂, H₂O, coke, methane and/or other light hydrocarbons. Introducing low carbon number hydrocarbons (i.e., compounds with carbon numbers less than 5) may produce additional H₂ within the formation. Adding higher carbon number hydrocarbons to the formation

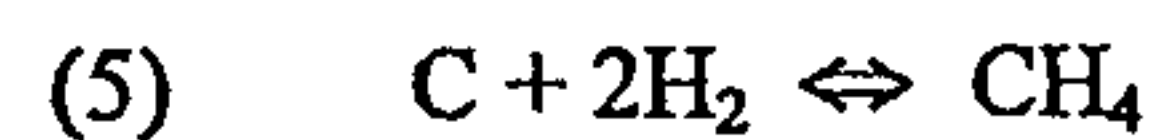
may increase an energy content of generated synthesis gas by having a significant methane and other low carbon number compounds fraction within the synthesis gas.

Water provided as a synthesis gas generating fluid may be derived from numerous different sources. Water may be produced during a pyrolysis stage of treating a formation. The water may include some entrained hydrocarbon fluids. Such fluid may be used as synthesis gas generating fluid. Water that includes hydrocarbons may advantageously generate additional H₂ when used as a synthesis gas generating fluid. Water produced from water pumps that inhibit water flow into a portion of formation being subjected to an in situ conversion process may provide water for synthesis gas generation. A low rank kerogen resource or hydrocarbons having a relatively high water content (i.e. greater than about 20% H₂O by weight) may generate a large amount of water and/or CO₂ if subjected to an in situ conversion process. The water and CO₂ produced by subjecting a low rank kerogen resource to an in situ conversion process may be used as a synthesis gas generating fluid.

Reactions involved in the formation of synthesis gas may include, but are not limited to:

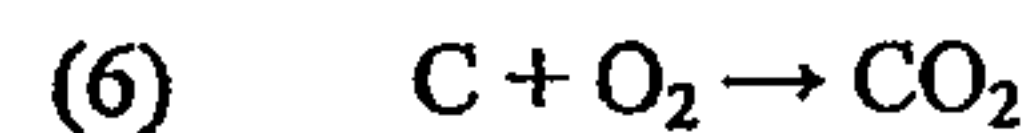


Thermodynamics allows the following reactions to proceed:



However, kinetics of the reactions are slow in certain embodiments so that relatively low amounts of methane are formed at formation conditions from Reactions (4) and (5).

In the presence of oxygen, the following reaction may take place to generate carbon dioxide and heat:



Equilibrium gas phase compositions of coal in contact with steam may provide an indication of the compositions of components produced in a formation during synthesis gas generation. Equilibrium composition data for H₂, carbon monoxide, and carbon dioxide may be used to determine appropriate operating conditions such as temperature that may be used to produce a synthesis gas having a selected composition. Equilibrium conditions may be approached within a formation due to a high, substantially uniform permeability of the formation. Composition data obtained from synthesis gas production may in many instances deviate by less than 10% from equilibrium values.

In one embodiment, a composition of the produced synthesis gas can be changed by injecting additional components into the formation along with steam. Carbon dioxide may be provided in the synthesis gas generating fluid to substantially inhibit production of carbon dioxide produced from the formation during synthesis gas generation. The carbon dioxide may shift the equilibrium of reaction (2) to the left, thus reducing the amount of carbon dioxide generated from formation carbon. The carbon dioxide may also react with carbon in the formation to generate carbon monoxide. Carbon dioxide may be separated from the synthesis gas and may be re-injected into the formation with the synthesis gas generating fluid. Addition of carbon dioxide in the synthesis gas generating fluid may, however, reduce the production of hydrogen.

FIG. 29 depicts a schematic diagram of use of water recovered from pyrolysis fluid production being used to generate synthesis gas. Heat source 801 with electric heater 803 produces pyrolysis fluid 807 from first section 805 of the formation. Produced pyrolysis fluid 807 may be sent to separator 809. Separator 809 may

include a number of individual separation units and processing units that produce aqueous stream 811, vapor stream 813, and hydrocarbon condensate stream 815. Aqueous stream 811 from the separator 809 may be combined with synthesis gas generating fluid 818 to form synthesis gas generating fluid 821. Synthesis gas generating fluid 821 may be provided to injection well 817 and introduced to second portion 819 of the formation. Synthesis gas 823 may be produced from synthesis gas production well 825.

FIG. 30 depicts a schematic diagram of an embodiment of a system for synthesis gas production in which carbon dioxide from produced synthesis gas is injected into a formation. Synthesis gas 830 may be produced from formation 832 through production well 834. Gas separation unit 836 may separate a portion of carbon dioxide from the synthesis gas 830 to produce CO₂ stream 838 and remaining synthesis gas stream 840. The CO₂ stream 838 may be mixed with synthesis gas producing fluid stream 842 that is introduced into the formation 832 through injection well 837, and/or the CO₂ may be separately introduced into the formation. This may limit conversion of carbon within the formation to CO₂ and/or may increase an amount of CO generated within the formation.

Synthesis gas generating fluid may be introduced into a formation in a variety of different ways. Steam may be injected into a heated hydrocarbon containing formation at a lowermost portion of the heated formation. Alternatively, in a steeply dipping formation, steam may be injected up dip with synthesis gas production down dip. The injected steam may pass through the remaining hydrocarbon containing formation to a production well. In addition, endothermic heat of reaction may be provided to the formation with heat sources disposed along a path of the injected steam. In alternate embodiments, steam may be injected at a plurality of locations along the hydrocarbon containing formation to increase penetration of the steam throughout the formation. A line drive pattern of locations may also be utilized. The line drive pattern may include alternating rows of steam injection wells and synthesis gas production wells.

At relatively low pressures, and temperatures below about 400 °C, synthesis gas reactions are relatively slow. At relatively low pressures, and temperatures between about 400 °C and about 700 °C, Reaction (2) tends to be the predominate reaction and the synthesis gas composition is primarily hydrogen and carbon dioxide. At relatively low pressures, and temperatures greater than about 700 °C, Reaction (1) tends to be the predominate reaction and the synthesis gas composition is primarily hydrogen and carbon monoxide.

Advantages of a lower temperature synthesis gas reaction may include lower heat requirements, cheaper metallurgy and less endothermic reactions (especially when methane formation takes place). An advantage of a higher temperature synthesis gas reaction is that hydrogen and carbon monoxide may be used as feedstock for other processes (e.g., Fischer-Tropsch processes).

A pressure of the hydrocarbon containing formation may be maintained at relatively high pressures during synthesis gas production. The pressure may range from atmospheric pressure to a lithostatic pressure of the formation. Higher formation pressures may allow generation of electricity by passing produced synthesis gas through a turbine. Higher formation pressures may allow for smaller collection conduits to transport produced synthesis gas, and reduced downstream compression requirements on the surface.

In some embodiments, synthesis gas may be produced from a portion of a formation in a substantially continuous manner. The portion may be heated to a desired synthesis gas generating temperature. A synthesis gas generating fluid may be introduced into the portion. Heat may be added to, or generated within, the portion of the formation during introduction of the synthesis gas generating fluid to the portion. The added heat compensates for the loss of heat due to the endothermic synthesis gas reactions as well as heat losses to the top

and bottom layers, etc. In other embodiments, synthesis gas may be produced in a substantially batch manner. The portion of the formation may be heated, or heat may be generated within the portion, to raise a temperature of the portion to a high synthesis gas generating temperature. Synthesis gas generating fluid may then be added to the portion until generation of synthesis gas reduces the temperature of the formation below a temperature that produces a desired synthesis gas composition. Introduction of the synthesis gas generating fluid may then be stopped. The cycle may be repeated by reheating the portion of the formation to the high synthesis gas generating temperature and adding synthesis gas generating fluid after obtaining the high synthesis gas generating temperature. Composition of generated synthesis gas may be monitored to determine when addition of synthesis gas generating fluid to the formation should be stopped.

FIG. 31 illustrates a schematic of an embodiment of a continuous synthesis gas production system. FIG. 31 includes a formation with heat injection wellbore 850 and heat injection wellbore 852. The wellbores may be members of a larger pattern of wellbores placed throughout a portion of the formation. A portion of a formation may be heated to synthesis gas generating temperatures by heating the formation with heat sources, by injecting an oxidizing fluid, or by a combination thereof. Oxidizing fluid 854, such as air or oxygen, and synthesis gas generating fluid 856, such as steam, may be injected into wellbore 850. In one embodiment, the ratio of oxygen to steam may be approximately 1:2 to approximately 1:10, or approximately 1:3 to approximately 1:7 (e.g., about 1:4).

In situ combustion of hydrocarbons may heat region 858 of the formation between wellbores 850 and 852. Injection of the oxidizing fluid may heat region 858 to a particular temperature range, for example, between about 600 °C and about 700 °C. The temperature may vary, however, depending on a desired composition of the synthesis gas. An advantage of the continuous production method may be that the temperature across region 858 may be substantially uniform and substantially constant with time once the formation has reached substantial thermal equilibrium. Continuous production may also eliminate a need for use of valves to reverse injection directions on a substantially frequent basis. Further, continuous production may reduce temperatures near the injections wells due to endothermic cooling from the synthesis gas reaction that may occur in the same region as oxidative heating. The substantially constant temperature may allow for control of synthesis gas composition. Produced synthesis gas 860 may exit continuously from wellbore 852.

In an embodiment, it may be desirable to use oxygen rather than air as oxidizing fluid 854 in continuous production. If air is used, nitrogen may need to be separated from the synthesis gas. The use of oxygen as oxidizing fluid 854 may increase a cost of production due to the cost of obtaining substantially pure oxygen. The cryogenic nitrogen by-product obtained from an air separation plant used to produce the required oxygen may, however, be used in a heat exchanger to condense hydrocarbons from a hot vapor stream produced during pyrolysis of hydrocarbons. The pure nitrogen may also be used for ammonia production.

FIG. 32 illustrates a schematic of an embodiment of a batch production of synthesis gas in a hydrocarbon containing formation. Wellbore 870 and wellbore 872 may be located within a portion of the formation. The wellbores may be members of a larger pattern of wellbores throughout the portion of the formation. Oxidizing fluid 874, such as air or oxygen, may be injected into wellbore 870. Oxidation of hydrocarbons may heat region 876 of a formation between wellbores 870 and 872. Injection of air or oxygen may continue until an average temperature of region 876 is at a desired temperature (e.g., between about 900 °C and about 1000 °C). Higher or lower temperatures may also be developed. A temperature gradient may be formed in region 876 between

WO 01/81239

PCT/US01/13452

wellbore 870 and wellbore 872. The highest temperature of the gradient may be located proximate to the injection wellbore 870.

When a desired temperature has been reached, or when oxidizing fluid has been injected for a desired period of time, oxidizing fluid injection may be lessened and/or ceased. A synthesis gas generating fluid 877, such as steam or water, may be injected into the injection wellbore 872 to produce synthesis gas. A back pressure of the injected steam or water in the injection wellbore may force the synthesis gas produced and un-reacted steam across region 876. A decrease in average temperature of region 876 caused by the endothermic synthesis gas reaction may be partially offset by the temperature gradient in region 876 in a direction indicated by arrow 878. Product stream 880 may be produced through heat source wellbore 870. If the composition of the product deviates substantially from a desired composition, then steam injection may cease, and air or oxygen injection may be reinitiated.

In one embodiment, synthesis gas of a selected composition may be produced by blending synthesis gas produced from different portions of the formation. A first portion of a formation may be heated by one or more heat sources to a first temperature sufficient to allow generation of synthesis gas having a H₂ to carbon monoxide ratio of less than the selected H₂ to carbon monoxide ratio (e.g., about 1 or 2). A first synthesis gas generating fluid may be provided to the first portion to generate a first synthesis gas. The first synthesis gas may be produced from the formation. A second portion of the formation may be heated by one or more heat sources to a second temperature sufficient to allow generation of synthesis gas having a H₂ to carbon monoxide ratio of greater than the selected H₂ to carbon monoxide ratio (e.g., a ratio of 3 or more). A second synthesis gas generating fluid may be provided to the second portion to generate a second synthesis gas. The second synthesis gas may be produced from the formation. The first synthesis gas may be blended with the second synthesis gas to produce a blend synthesis gas having a desired H₂ to carbon monoxide ratio.

The first temperature may be substantially different than the second temperature. Alternatively, the first and second temperatures may be approximately the same temperature. For example, a temperature sufficient to allow generation of synthesis gas having different compositions may vary depending on compositions of the first and second portions and/or prior pyrolysis of hydrocarbons within the first and second portions. The first synthesis gas generating fluid may have substantially the same composition as the second synthesis gas generating fluid. Alternatively, the first synthesis gas generating fluid may have a different composition than the second synthesis gas generating fluid. Appropriate first and second synthesis generating fluids may vary depending upon, for example, temperatures of the first and second portions, compositions of the first and second portions, and prior pyrolysis of hydrocarbons within the first and second portions.

In addition, synthesis gas having a selected ratio of H₂ to carbon monoxide may be obtained by controlling the temperature of the formation. In one embodiment, the temperature of an entire portion or section of the formation may be controlled to yield synthesis gas with a selected ratio. Alternatively, the temperature in or proximate to a synthesis gas production well may be controlled to yield synthesis gas with the selected ratio.

In one embodiment, synthesis gas having a selected ratio of H₂ to carbon monoxide may be obtained by treating produced synthesis gas at the surface. First, the temperature of the formation may be controlled to yield synthesis gas with a ratio different than a selected ratio. For example, the formation may be maintained at a relatively high temperature to generate a synthesis gas with a relatively low H₂ to carbon monoxide ratio (e.g., the ratio may approach 1 under certain conditions). Some or all of the produced synthesis gas may then be provided to a shift reactor (shift process) at the surface. Carbon monoxide reacts with water in the shift process to produce

H₂ and carbon dioxide. Therefore, the shift process increases the H₂ to carbon monoxide ratio. The carbon dioxide may then be separated to obtain a synthesis gas having a selected H₂ to carbon monoxide ratio.

In one embodiment, produced synthesis gas 918 may be used for production of energy. In FIG. 33, treated gases 920 may be routed from treatment section 900 to energy generation unit 902 for extraction of useful energy. Energy may be extracted from the combustible gases generally by oxidizing the gases to produce heat and converting a portion of the heat into mechanical and/or electrical energy. Alternatively, energy generation unit 902 may include a fuel cell that produces electrical energy. In addition, energy generation unit 902 may include, for example, a molten carbonate fuel cell or another type of fuel cell, a turbine, a boiler firebox, or a down hole gas heater. Produced electrical energy 904 may be supplied to power grid 906. A portion of the produced electricity 908 may be used to supply energy to electrical heating elements 910 that heat formation 912.

In one embodiment, energy generation unit 902 may be a boiler firebox. A firebox may include a small refractory-lined chamber, built wholly or partly in the wall of a kiln, for combustion of fuel. Air or oxygen 914 may be supplied to energy generation unit 902 to oxidize the produced synthesis gas. Water 916 produced by oxidation of the synthesis gas may be recycled to the formation to produce additional synthesis gas.

The produced synthesis gas may also be used as a fuel in down hole gas heaters. Down hole gas heaters, such as a flameless combustor as disclosed herein, may be configured to heat a hydrocarbon containing formation. In this manner, a thermal conduction process may be substantially self-reliant and/or may substantially reduce or eliminate a need for electricity. Because flameless combustors may have a thermal efficiency approaching 90%, an amount of carbon dioxide released to the environment may be less than an amount of carbon dioxide released to the environment from a process using fossil-fuel generated electricity to heat the hydrocarbon containing formation.

Carbon dioxide may be produced by both pyrolysis and synthesis gas generation. Carbon dioxide may also be produced by energy generation processes and/or combustion processes. Net release of carbon dioxide to the atmosphere from an in situ conversion process for hydrocarbons may be reduced by utilizing the produced carbon dioxide and/or by storing carbon dioxide within the formation. For example, a portion of carbon dioxide produced from the formation may be utilized as a flooding agent or as a feedstock for producing chemicals.

In one embodiment, the energy generation process may produce a reduced amount of emissions by sequestering carbon dioxide produced during extraction of useful energy. For example, emissions from an energy generation process may be reduced by storing an amount of carbon dioxide within a hydrocarbon containing formation. The amount of stored carbon dioxide may be approximately equivalent to that in an exit stream from the formation.

FIG. 33 illustrates a reduced emission energy process. Carbon dioxide 928 produced by energy generation unit 902 may be separated from fluids exiting the energy generation unit. Carbon dioxide may be separated from H₂ at high temperatures by using a hot palladium film supported on porous stainless steel or a ceramic substrate, or high temperature pressure swing adsorption. The carbon dioxide may be sequestered in spent hydrocarbon containing formation 922, injected into oil producing fields 924 for enhanced oil recovery by improving mobility and production of oil in such fields, sequestered into a deep hydrocarbon containing formation 926 containing methane by adsorption and subsequent desorption of methane, or re-injected 928 into a section of the formation through a synthesis gas production well to produce carbon monoxide. Carbon dioxide leaving the energy generation unit may be sequestered in a dewatered methane reservoir. The water for synthesis gas generation may come from dewatering a methane reservoir. Additional methane can also be produced by

alternating carbon dioxide and nitrogen. An example of a method for sequestering carbon dioxide is illustrated in U.S. Pat. No. 5,566,756 to Chaback et al., which is incorporated by reference as if fully set forth herein. Additional energy may be utilized by removing heat from the carbon dioxide stream leaving the energy generation unit.

5 In one embodiment, it may be desirable to cool a hot spent formation before sequestration of carbon dioxide. For example, a higher quantity of carbon dioxide may be adsorbed in a coal formation at lower temperatures. In addition, cooling a formation may strengthen a formation. The spent formation may be cooled by introducing water into the formation. The steam produced may be removed from the formation. The generated steam may be used for any desired process. For example, the steam may be provided to an adjacent
10 portion of a formation to heat the adjacent portion or to generate synthesis gas.

In one embodiment, a spent hydrocarbon containing formation may be mined. The mined material may in some embodiments be used for metallurgical purposes such as a fuel for generating high temperatures during production of steel. Pyrolysis of a coal containing formation may substantially increase a rank of the coal. After pyrolysis, the coal may be substantially transformed to a coal having characteristics of anthracite. A spent
15 hydrocarbon containing formation may have a thickness of 30 m or more. Anthracite coal seams, which are typically mined for metallurgical uses, may be only about one meter in thickness.

FIG. 34 illustrates an embodiment in which fluid produced from pyrolysis may be separated into a fuel cell feed stream and fed into a fuel cell to produce electricity. The embodiment may include carbon containing formation 940 with producing well 942 configured to produce synthesis gas and heater well 944 with electric
20 heater 946 configured to produce pyrolysis fluid 948. In one embodiment, pyrolysis fluid may include H₂ and hydrocarbons with carbon numbers less than 5. Pyrolysis fluid 948 produced from heater well 944 may be fed to gas membrane separation system 950 to separate H₂ and hydrocarbons with carbon numbers less than 5. Fuel cell feed stream 952, which may be substantially composed of H₂, may be fed into fuel cell 954. Air feed stream 956 may be fed into fuel cell 954. Nitrogen stream 958 may be vented from fuel cell 954. Electricity 960 produced
25 from the fuel cell may be routed to a power grid. Electricity 962 may also be used to power electric heaters 946 in heater wells 944. Carbon dioxide 965 may be injected into formation 940.

Hydrocarbons having carbon numbers of 4, 3, and 1 typically have fairly high market values. Separation and selling of these hydrocarbons may be desirable. Typically ethane may not be sufficiently valuable to separate and sell in some markets. Ethane may be sent as part of a fuel stream to a fuel cell or ethane may be used as a
30 hydrocarbon fluid component of a synthesis gas generating fluid. Ethane may also be used as a feedstock to produce ethene. In some markets, there may be no market for any hydrocarbons having carbon numbers less than 5. In such a situation, all of the hydrocarbon gases produced during pyrolysis may be sent to fuel cells or be used as hydrocarbon fluid components of a synthesis gas generating fluid.

Pyrolysis fluid 964, which may be substantially composed of hydrocarbons with carbon numbers less than 5, may be injected into formation 940. When the hydrocarbons contact the formation, hydrocarbons may
35 crack within the formation to produce methane, H₂, coke, and olefins such as ethene and propylene. In one embodiment, the production of olefins may be increased by heating the temperature of the formation to the upper end of the pyrolysis temperature range and by injecting hydrocarbon fluid at a relatively high rate. In this manner, residence time of the hydrocarbons in the formation may be reduced and dehydrogenated hydrocarbons may tend
40 to form olefins rather than cracking to form H₂ and coke. Olefin production may also be increased by reducing formation pressure.

In one embodiment, electric heater 946 may be a flameless distributed combustor. At least a portion of H₂ produced from the formation may be used as fuel for the flameless distributed combustor.

In addition, in some embodiments, heater well 944 may heat the formation to a synthesis gas generating temperature range. Pyrolysis fluid 964, which may be substantially composed of hydrocarbons with carbon numbers less than 5, may be injected into the formation 940. When the hydrocarbons contact the formation, the hydrocarbons may crack within the formation to produce methane, H₂, and coke.

FIG. 35 depicts an embodiment of a synthesis gas generating process from hydrocarbon containing formation 976 with flameless distributed combustor 996. Synthesis gas 980 produced from production well 978 may be fed into gas separation plant 984 where carbon dioxide 986 may be separated from synthesis gas 980. First portion 990 of carbon dioxide may be routed to a formation for sequestration. Second portion 992 of carbon dioxide may also be injected into the formation with synthesis gas generating fluid. Portion 993 of synthesis gas 988 may be fed to heater well 994 for combustion in distributed burner 996 to produce heat for the formation. Portion 998 of synthesis gas 988 may be fed to fuel cell 1000 for the production of electricity. Electricity 1002 may be routed to a power grid. Steam 1004 produced in the fuel cell and steam 1006 produced from combustion in the distributed burner may be fed to the formation for generation of synthesis gas.

In one embodiment, carbon dioxide generated with pyrolysis fluids as described herein may be sequestered in a hydrocarbon containing formation. FIG. 36 illustrates in situ pyrolysis in hydrocarbon containing formation 1020. Heater well 1022 with electric heater 1024 may be disposed in formation 1020. Pyrolysis fluids 1026 may be produced from formation 1020 and fed into gas separation unit 1028 where carbon dioxide 1030 may be separated from pyrolysis fluids 1032. Portion 1034 of carbon dioxide 1030 may be stored in formation 1036. The carbon dioxide may be sequestered in spent hydrocarbon containing formation 1038, injected into oil producing fields 1040 for enhanced oil recovery, or sequestered into coal bed 1042. Alternatively, carbon dioxide may also be re-injected 1044 into a section of formation 1020 through a synthesis gas production well to produce carbon monoxide. At least a portion of electricity 1035 may be used to power one or more electric heaters.

In one embodiment, fluid produced from pyrolysis of at least some hydrocarbons in a formation may be fed into a reformer to produce synthesis gas. The synthesis gas may be fed into a fuel cell to produce electricity. In addition, carbon dioxide generated by the fuel cell may be sequestered to reduce an amount of emissions generated by the process.

As shown in FIG. 37, heater well 1060 may be located within hydrocarbon containing formation 1062. Additional heater wells may also be located within the formation. Heater well 1060 may include electric heater 1064. Pyrolysis fluid 1066 produced from the formation may be fed to a reformer, such as steam reformer 1068, to produce synthesis gas 1070. A portion of the pyrolysis products may be used as fuel in the reformer. Steam reformer 1068 may include a catalyst material that promotes the reforming reaction and a burner to supply heat for the endothermic reforming reaction. A steam source may be connected to the reformer section to provide steam for the reforming reaction. The burner may operate at temperatures well above that required by the reforming reaction and well above the operating temperatures of fuel cells. As such, it may be desirable to operate the burner as a separate unit independent of the fuel cell.

Alternatively, a reformer may include multiple tubes that may be made of refractory metal alloys. Each tube may include a packed granular or pelletized material having a reforming catalyst as a surface coating. A diameter of the tubes may vary from between about 9 cm and about 16 cm, and the heated length of the tube may normally be between about 6 m and about 12 m. A combustion zone may be provided external to the tubes, and

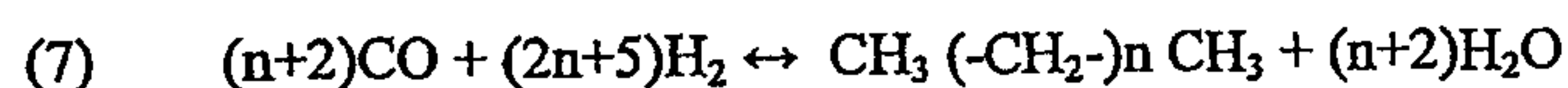
may be formed in the burner. A surface temperature of the tubes may be maintained by the burner at a temperature of about 900 °C to ensure that the hydrocarbon fluid flowing inside the tube is properly catalyzed with steam at a temperature between about 500 °C and about 700 °C. A traditional tube reformer may rely upon conduction and convection heat transfer within the tube to distribute heat for reforming.

5 In addition, hydrocarbon fluids, such as pyrolysis fluids, may be pre-processed prior to being fed to a reformer. The reformer may be configured to transform the pyrolysis fluids into simpler reactants prior to introduction to a fuel cell. For example, pyrolysis fluids may be pre-processed in a desulfurization unit. Subsequent to pre-processing, the pyrolysis fluids may be provided to a reformer and a shift reactor to produce a suitable fuel stock for a H₂ fueled fuel cell.

10 The synthesis gas produced by the reformer may include any of the components described above, such as methane. The produced synthesis gas 1070 may be fed to fuel cell 1072. A portion of electricity 1074 produced by the fuel cell may be sent to a power grid. In addition, a portion of electricity 1076 may be used to power electric heater 1064. Carbon dioxide 1078 exiting the fuel cell may be routed to sequestration area 1080.

15 Alternatively, in one embodiment, pyrolysis fluids 1066 produced from the formation may be fed to reformer 1068 that produces carbon dioxide stream 1082 and H₂ stream 1070. For example, the reformer may include a flameless distributed combustor for a core, and a membrane. The membrane may allow only H₂ to pass through the membrane resulting in separation of the H₂ and carbon dioxide. The carbon dioxide may be routed to sequestration area 1080.

20 Synthesis gas produced from a formation may be converted to heavier condensable hydrocarbons. For example, a Fischer-Tropsch hydrocarbon synthesis process may be used for conversion of synthesis gas. A Fischer-Tropsch process may include converting synthesis gas to hydrocarbons. The process may use elevated temperatures, normal or elevated pressures, and a catalyst, such as magnetic iron oxide or a cobalt catalyst. Products produced from a Fischer-Tropsch process may include hydrocarbons having a broad molecular weight distribution and may include branched and unbranched paraffins. Products from a Fischer-Tropsch process may also include considerable quantities of olefins and oxygen-containing organic compounds. An example of a Fischer-Tropsch reaction may be illustrated by the following:



30 A hydrogen to carbon monoxide ratio for synthesis gas used as a feed gas for a Fischer-Tropsch reaction may be about 2:1. In certain embodiments the ratio may range from approximately 1.8:1 to 2.2:1. Higher or lower ratios may be accommodated by certain Fischer-Tropsch systems.

FIG. 38 illustrates a flowchart of a Fischer-Tropsch process that uses synthesis gas produced from a hydrocarbon containing formation as a feed stream. Hot formation 1090 may be used to produce synthesis gas having a H₂ to CO ratio of approximately 2:1. The proper ratio may be produced by operating synthesis production wells at approximately 700 °C, or by blending synthesis gas produced from different sections of formation to obtain a synthesis gas having approximately a 2:1 H₂ to CO ratio. Synthesis gas generating fluid 1092 may be fed into the hot formation 1090 to generate synthesis gas. H₂ and CO may be separated from the synthesis gas produced from the hot formation 1090 to form feed stream 1094. Feed stream 1094 may be sent to Fischer-Tropsch plant 1096. Feed stream 1094 may supplement or replace synthesis gas 1098 produced from catalytic methane reformer 1100.

Fischer-Tropsch plant 1096 may produce wax feed stream 1102. The Fischer-Tropsch synthesis process that produces wax feed stream 1102 is an exothermic process. Steam 1104 may be generated during the Fischer-Tropsch process. Steam 1104 may be used as a portion of synthesis gas generating fluid 1092.

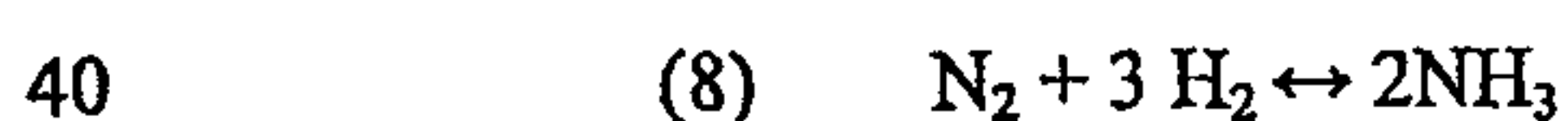
Wax feed stream 1102 produced from Fischer-Tropsch plant 1096 may be sent to hydrocracker 1106. The hydrocracker may produce product stream 1108. The product stream may include diesel, jet fuel, and/or naphtha products. Examples of methods for conversion of synthesis gas to hydrocarbons in a Fischer-Tropsch process are illustrated in U.S. Patent Nos. 4,096,163 to Chang et al., 6,085,512 to Agee et al., and 6,172,124 to Wolflick et al., which are incorporated by reference as if fully set forth herein.

FIG. 39 depicts an embodiment of in situ synthesis gas production integrated with a Shell Middle Distillates Synthesis (SMDS) Fischer-Tropsch and wax cracking process. An example of a SMDS process is illustrated in U.S. Pat. No. 4,594,468 to Minderhoud, and is incorporated by reference as if fully set forth herein. A middle distillates hydrocarbon mixture may also be produced from produced synthesis gas using the SMDS process as illustrated in FIG. 39. Middle distillates may designate hydrocarbon mixtures with a boiling point range that may correspond substantially with that of kerosene and gas oil fractions obtained in a conventional atmospheric distillation of crude oil material. The middle distillate boiling point range may include temperatures between about 150 °C and about 360 °C, with a fractions boiling point between about 200 °C and about 360 °C, and may be referred to as gas oil. FIG. 39 depicts synthesis gas 1120, having a H₂ to carbon monoxide ratio of about 2:1, that may exit production well 1128 and may be fed into SMDS plant 1122. In certain embodiments the ratio may range from approximately 1.8:1 to 2.2:1. Products of the SMDS plant include organic liquid product 1124 and steam 1126. Steam 1126 may be supplied to injection wells 1127. In this manner, steam may be used as a feed for synthesis gas production. Hydrocarbon vapors may in some circumstances be added to the steam.

FIG. 40 depicts an embodiment of in situ synthesis gas production integrated with a catalytic methanation process. For example, synthesis gas 1140 exiting production well 1142 may be supplied to catalytic methanation plant 1144. In some embodiments, it may be desirable for the composition of produced synthesis gas, which may be used as a feed gas for a catalytic methanation process, to have a H₂ to carbon monoxide ratio of about three to one. Methane 1146 may be produced by catalytic methanation plant 1144. Steam 1148 produced by plant 1144 may be supplied to injection well 1141 for production of synthesis gas. Examples of a catalytic methanation process are illustrated in U.S. Patent Nos. 3,992,148 to Child, 4,130,575 to Jorn et al., and 4,133,825 to Stroud et al., which are incorporated by reference as if fully set forth herein.

The synthesis gas produced may also be used as a feed for a process for production of methanol. Examples of processes for production of methanol are illustrated in U.S. Patent Nos. 4,407,973 to van Dijk et al., 4,927,857 to McShea, III et al., and 4,994,093 to Wetzell et al., which are incorporated by reference as if fully set forth herein. The produced synthesis gas may also be used as a feed gas for a process that may convert synthesis gas to gasoline and a process that may convert synthesis gas to diesel fuel. Examples of process for producing engine fuels are illustrated in U.S. Patent Nos. 4,076,761 to Chang et al., 4,138,442 to Chang et al., and 4,605,680 to Beuther et al., which are incorporated by reference as if fully set forth herein.

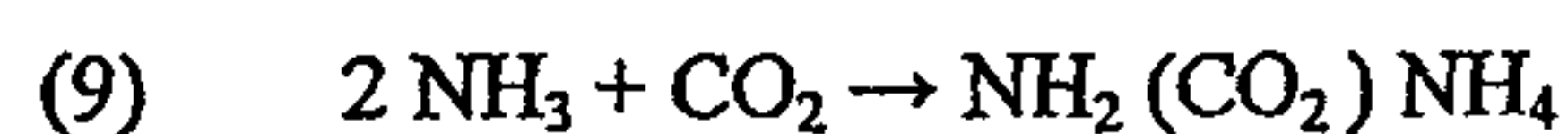
In one embodiment, produced synthesis gas may be used as a feed gas for production of ammonia and urea as illustrated by FIGS. 41 and 42. Ammonia may be synthesized by the Haber-Bosch process, which involves synthesis directly from N₂ and H₂ according to the reaction:



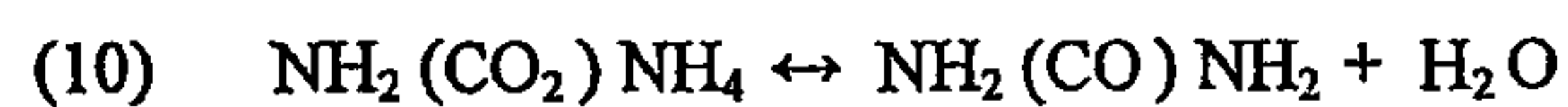
The N₂ and H₂ may be combined, compressed to high pressure, (e.g., from about 80 bars to about 220 bars), and then heated to a relatively high temperature. The reaction mixture may be passed over a catalyst composed substantially of iron, where ammonia production may occur. During ammonia synthesis, the reactants (i.e., N₂ and H₂) and the product (i.e., ammonia) may be in equilibrium. In this manner, the total amount of ammonia produced may be increased by shifting the equilibrium towards product formation. Equilibrium may be shifted to product formation by removing ammonia from the reaction mixture as it is produced.

Removal of the ammonia may be accomplished by cooling the gas mixture to a temperature between about (-5) °C to about 25 °C. In this temperature range, a two-phase mixture may be formed with ammonia in the liquid phase and N₂ and H₂ in the gas phase. The ammonia may be separated from other components of the mixture. The nitrogen and hydrogen may be subsequently reheated to the operating temperature for ammonia conversion and passed through the reactor again.

Urea may be prepared by introducing ammonia and carbon dioxide into a reactor at a suitable pressure, (e.g., from about 125 bars absolute to about 350 bars absolute), and at a suitable temperature, (e.g., from about 160 °C to about 250 °C). Ammonium carbamate may be formed according to the following reaction:



Urea may be subsequently formed by dehydrating the ammonium carbamate according to the following equilibrium reaction:



The degree to which the ammonia conversion takes place may depend on, for example, the temperature and the amount of excess ammonia. The solution obtained as the reaction product may substantially include urea, water, ammonium carbamate and unbound ammonia. The ammonium carbamate and the ammonia may need to be removed from the solution. Once removed, they may be returned to the reactor. The reactor may include separate zones for the formation of ammonium carbamate and urea. However, these zones may also be combined into one piece of equipment.

According to one embodiment, a high pressure urea plant may operate such that the decomposition of the ammonium carbamate that has not been converted into urea and the expulsion of the excess ammonia may be conducted at a pressure between 15 bars absolute and 100 bars absolute. This may be considerably lower than the pressure in the urea synthesis reactor. The synthesis reactor may be operated at a temperature of about 180 °C to about 210 °C and at a pressure of about 180 bars absolute to about 300 bars absolute. Ammonia and carbon dioxide may be directly fed to the urea reactor. The NH₃/CO₂ molar ratio (N/C molar ratio) in the urea synthesis may generally be between about 3 and about 5. The unconverted reactants may be recycled to the urea synthesis reactor following expansion, dissociation, and/or condensation.

In one embodiment, an ammonia feed stream having a selected ratio of H₂ to N₂ may be generated from a formation using enriched air. A synthesis gas generating fluid and an enriched air stream may be provided to the formation. The composition of the enriched air may be selected to generate synthesis gas having the selected ratio of H₂ to N₂. In one embodiment, the temperature of the formation may be controlled to generate synthesis gas having the selected ratio.

In one embodiment, the H₂ to N₂ ratio of the feed stream provided to the ammonia synthesis process may be approximately 3:1. In other embodiments, the ratio may range from approximately 2.8:1 to 3.2:1. An ammonia synthesis feed stream having a selected H₂ to N₂ ratio may be obtained by blending feed streams produced from different portions of the formation.

WO 01/81239

PCT/US01/13452

In one embodiment, ammonia from the ammonia synthesis process may be provided to a urea synthesis process to generate urea. Ammonia produced during pyrolysis may be added to the ammonia generated from the ammonia synthesis process. In another embodiment, ammonia produced during hydrotreating may be added to the ammonia generated from the ammonia synthesis process. Some of the carbon monoxide in the synthesis gas may be converted to carbon dioxide in a shift process. The carbon dioxide from the shift process may be fed to the urea synthesis process. Carbon dioxide generated from treatment of the formation may also be fed, in some instances, to the urea synthesis process.

FIG. 41 illustrates an embodiment of a method for production of ammonia and urea from synthesis gas using membrane-enriched air. Enriched air 1170 and steam, or water, 1172 may be fed into hot carbon containing formation 1174 to produce synthesis gas 1176 in a wet oxidation mode as described herein.

In certain embodiments, enriched air 1170 is blended from air and oxygen streams such that the nitrogen to hydrogen ratio in the produced synthesis gas is about 1:3. The synthesis gas may be at a correct ratio of nitrogen and hydrogen to form ammonia. For example, it has been calculated that for a formation temperature of 700 °C, a pressure of 3 bar absolute, and with 13,231 tons/day of char that will be converted into synthesis gas, one could inject 14.7 kilotons/day of air, 6.2 kilotons/day of oxygen, and 21.2 kilotons/day of steam. This would result in production of 2 billion cubic feet/day of synthesis gas including 5689 tons/day of steam, 16,778 tons/day of carbon monoxide, 1406 tons/day of hydrogen, 18,689 tons/day of carbon dioxide, 1258 tons/day of methane, and 11,398 tons/day of nitrogen. After a shift reaction (to shift the carbon monoxide to carbon dioxide, and to produce additional hydrogen), the carbon dioxide may be removed, the product stream may be methanated (to remove residual carbon monoxide), and then one can theoretically produce 13,840 tons/day of ammonia and 1258 tons/day of methane. This calculation includes the products produced from Reactions (4) and (5) above.

Enriched air may be produced from a membrane separation unit. Membrane separation of air may be primarily a physical process. Based upon specific characteristics of each molecule, such as size and permeation rate, the molecules in air may be separated to form substantially pure forms of nitrogen, oxygen, or combinations thereof.

In one embodiment, a membrane system may include a hollow tube filled with a plurality of very thin membrane fibers. Each membrane fiber may be another hollow tube in which air flows. The walls of the membrane fiber may be porous and may be configured such that oxygen may permeate through the wall at a faster rate than nitrogen. In this manner, a nitrogen rich stream may be allowed to flow out the other end of the fiber. Air outside the fiber and in the hollow tube may be oxygen enriched. Such air may be separated for subsequent uses such as production of synthesis gas from a formation.

In one embodiment, the purity of the nitrogen generated may be controlled by variation of the flow rate and/or pressure of air through the membrane. Increasing air pressure may increase permeation of oxygen molecules through a fiber wall. Decreasing flow rate may increase the residence time of oxygen in the membrane and, thus, may increase permeation through the fiber wall. Air pressure and flow rate may be adjusted to allow a system operator to vary the amount and purity of the nitrogen generated in a relatively short amount of time.

The amount of N₂ in the enriched air may be adjusted to provide a N:H ratio of about 3:1 for ammonia production. It may be desirable to generate synthesis gas at a temperature that may favor the production of carbon dioxide over carbon monoxide. It may be advantageous for the temperature of the formation to be between about 400 °C and about 550 °C. In another embodiment, it may be desirable for the temperature of the formation to be

between about 400 °C and about 450 °C. Synthesis gas produced at such low temperatures may be substantially composed of N₂, H₂, and carbon dioxide with little carbon monoxide.

As illustrated in FIG. 41, a feed stream for ammonia production may be prepared by first feeding synthesis gas stream 1176 into ammonia feed stream gas processing unit 1178. In ammonia feed stream gas processing unit 1178 the feed stream may undergo a shift reaction (to shift the carbon monoxide to carbon dioxide, and to produce additional hydrogen). Carbon dioxide can also be removed from the feed stream, and the feed stream can be methanated (to remove residual carbon monoxide).

In certain embodiments carbon dioxide may be separated from the feed stream (or any gas stream) by absorption in an amine unit. Membranes or other carbon dioxide separation techniques/equipment may also be used to separate carbon dioxide from a feed stream.

Ammonia feed stream 1180 may be fed to ammonia production facility 1182 to produce ammonia 1184. Carbon dioxide 1186 exiting the gas separation unit 1178 (and/or carbon dioxide from other sources) may be fed, with ammonia 1184, into urea production facility 1188 to produce urea 1190.

Ammonia and urea may be produced using a carbon containing formation, and using an O₂ rich stream and an N₂ rich stream. The O₂ rich stream and synthesis gas generating fluid may be provided to a formation. The formation may be heated, or partially heated, by oxidation of carbon in the formation with the O₂ rich stream. H₂ in the synthesis gas, and N₂ from the N₂ rich stream, may be provided to an ammonia synthesis process to generate ammonia.

FIG. 42 illustrates a flowchart of an embodiment for production of ammonia and urea from synthesis gas using cryogenically separated air. Air 2000 may be fed into cryogenic air separation unit 2002. Cryogenic separation involves a distillation process that may occur at temperatures between about (-168) °C and (-172) °C. In other embodiments, the distillation process may occur at temperatures between about (-165) °C and (-175) °C. Air may liquefy in these temperature ranges. The distillation process may be operated at a pressure between about 8 bars absolute and about 10 bars absolute. High pressures may be achieved by compressing air and exchanging heat with cold air exiting the column. Nitrogen is more volatile than oxygen and may come off as a distillate product.

N₂ 2004 exiting the separator may be utilized in heat exchanger 2006 to condense higher molecular weight hydrocarbons from pyrolysis stream 2008 to remove lower molecular weight hydrocarbons from the gas phase into a liquid oil phase. Upgraded gas stream 2010 containing a higher composition of lower molecular weight hydrocarbons than stream 2008 and liquid stream 2012, which includes condensed hydrocarbons, may exit heat exchanger 2006.

Oxygen 2014 from cryogenic separation unit 2002 and steam 2016, or water, may be fed into hot carbon containing formation 2018 to produce synthesis gas 2020 in a continuous process as described herein. It is desirable to generate synthesis gas at a temperature that favors the formation of carbon dioxide over carbon monoxide. It may be advantageous for the temperature of the formation to be between about 400 °C and about 550 °C. In another embodiment, it may be desirable for the temperature of the formation to be between about 400 °C and about 450 °C. Synthesis gas 2020 may be substantially composed of H₂ and carbon dioxide. Carbon dioxide may be removed from synthesis gas 2020 to prepare a feed stream for ammonia production using amine gas separation unit 2022. H₂ stream 2024 from the gas separation unit and N₂ stream 2026 from the heat exchanger may be fed into ammonia production facility 2028 to produce ammonia 2030. Carbon dioxide 2032

WO 01/81239

PCT/US01/13452

exiting the gas separation unit and ammonia 2030 may be fed into urea production facility 2034 to produce urea 2036.

In one embodiment, an ammonia synthesis process feed stream may be generated by feeding a gas containing N₂ and carbon dioxide to a carbon containing formation. The gas may be flue gas or it may be gas generated by an oxidation reaction of O₂ with carbon in another portion of the formation. The gas containing N₂ and carbon dioxide may be provided to a carbon containing formation. The carbon dioxide in the gas may adsorb in the formation and be sequestered therein. An exit stream may be produced from the formation. The exit stream may have a substantially lower percentage of carbon dioxide than the gas entering the formation. The nitrogen in the exit gas may be provided to an ammonia synthesis process. H₂ in synthesis gas from another portion of the formation may be provided to the ammonia synthesis process.

FIG. 43 illustrates an embodiment of a method for preparing a nitrogen stream for an ammonia and urea process. Air 2060 may be injected into hot carbon containing formation 2062 to produce carbon dioxide by oxidation of carbon in the formation. In an embodiment, a heater may be configured to heat at least a portion of the carbon containing formation to a temperature sufficient to support oxidation of the carbon. The temperature sufficient to support oxidation may be, for example, about 260 °C for coal. Stream 2064 exiting the hot formation may be composed substantially of carbon dioxide and nitrogen. Nitrogen may be separated from carbon dioxide by passing the stream through cold spent carbon containing formation 2066. Carbon may be preferentially adsorbed versus nitrogen in the cold spent formation 2066. For example, at 50 °C and 0.35 bars, the adsorption of carbon dioxide on a spent portion of coal may be about 72 m³/metric ton compared to about 15.4 m³/metric ton for nitrogen. Nitrogen 2068 exiting the cold spent portion 2066 may be supplied to ammonia production facility 2070 with H₂ stream 2072 to produce ammonia 2074. The H₂ stream may be obtained by methods disclosed herein, for example, the methods described in FIGS. 41 and 42.

FIG. 44 illustrates an embodiment of a system configured to treat a relatively permeable formation. Relatively permeable formation 2200 may include heavy hydrocarbons. Production wells 2210 may be disposed in relatively permeable formation 2200. Relatively permeable formation 2200 may be enclosed between substantially impermeable layers 2204. An upper substantially impermeable layer 2204 may be referred to as an overburden of formation 2200. A lower substantially impermeable layer 2204 may be referred to as a base rock of formation 2200. The overburden and the base rock may include different types of impermeable materials. For example, the overburden and/or the base rock may include shale or wet carbonate (i.e., a carbonate without hydrocarbons in it).

Low temperature heat sources 2216 and high temperature heat sources 2218 may be disposed in production well 2210. Low temperature heat sources 2216 and high temperature heat sources 2218 may be configured as described herein. Production well 2210 may be configured as described herein. Low temperature heat source 2216 may generally refer to a heat source, or heater, configured to provide heat to a selected mobilization section of formation 2200 substantially adjacent to the low temperature heat source. The provided heat may be configured to heat some or all of the selected mobilization section to an average temperature within a mobilization temperature range of the heavy hydrocarbons contained within formation 2200. The mobilization temperature range may be between about 75 °C to about 150 °C. A selected mobilization temperature may be about 100 °C. The mobilization temperature may vary, however, depending on a viscosity of the heavy hydrocarbons contained within formation 2200. For example, a higher mobilization temperature may be required to mobilize a higher viscosity fluid within formation 2200.

High temperature heat source 2218 may generally refer to a heat source, or heater, configured to provide heat to selected pyrolyzation section 2202 of formation 2200 substantially adjacent to the heat source 2218. The provided heat may be configured to heat selected pyrolyzation section 2202 to an average temperature within a pyrolyzation temperature range of the heavy hydrocarbons contained within formation 2200. The pyrolyzation temperature range may be between about 270 °C to about 400 °C. A selected pyrolyzation temperature may be about 300 °C. The pyrolyzation temperature may vary, however, depending on formation characteristics, composition, pressure, and/or a desired quality of a product produced from formation 2200. A quality of the product may be determined based upon properties of the product, (e.g., the API gravity of the product). Pyrolyzation may include cracking of the heavy hydrocarbons into hydrocarbon fragments and/or lighter hydrocarbons. Pyrolyzation of the heavy hydrocarbons tends to upgrade the quality of the heavy hydrocarbons.

As shown in FIG. 44, mobilized fluids in formation 2200 may flow into selected pyrolyzation section 2202 substantially by gravity. The mobilized fluids may be upgraded by pyrolysis in selected pyrolyzation section 2202. Flow of the mobilized fluids may optionally be increased by providing pressurizing fluid 2214 through conduit 2212 into formation 2200. Pressurizing fluid 2214 may be a fluid configured to increase a pressure in formation 2200 proximate to conduit 2212. The increased pressure proximate to conduit 2212 may increase a flow of the mobilized fluids in formation 2200 into selected pyrolyzation section 2202. A pressure of pressurizing fluid 2214 provided by conduit 2212 may be between about 7 bars absolute to about 70 bars absolute. The pressure of pressurizing fluid 2214 may vary, however, depending on, for example, a viscosity of fluid within formation 2200 and/or a desired flow rate of fluid into selected pyrolyzation section 2202. Pressurizing fluid 2214 may be any gas that may not substantially oxidize the heavy hydrocarbons. For example, pressurizing fluid 2214 may include N₂, CO₂, CH₄, hydrogen, steam, etc.

Production wells 2210 may be configured to remove pyrolyzation fluids and/or mobilized fluids from selected pyrolyzation section 2202. Formation fluids may be removed as a vapor. The formation fluids may be further upgraded by high temperature heat source 2218 and low temperature heat source 2216 in production well 2210. Production well 2210 may be further configured to control pressure in selected pyrolyzation section 2202 to provide a pressure gradient so that mobilized fluids flow into selected pyrolyzation section 2202 from the selected mobilization section. In some embodiments, pressure in selected pyrolyzation section 2202 may be controlled to in turn control the flow of the mobilized fluids into selected pyrolyzation section 2202. By not heating the entire formation to pyrolyzation temperatures, the drainage process may produce a substantially higher ratio of energy produced versus energy input for the in situ conversion process.

In addition, pressure in relatively permeable formation 2200 may be controlled to produce a desired quality of formation fluids. For example, the pressure in relatively permeable formation 2200 may be increased to produce formation fluids with an increased API gravity as compared to formation fluids produced at a lower pressure. Increasing the pressure in relatively permeable formation 2200 may increase a hydrogen partial pressure in mobilized and/or pyrolyzation fluids. The increased hydrogen partial pressure in mobilized and/or pyrolyzation fluids may reduce heavy hydrocarbons in mobilized and/or pyrolyzation fluids. Reducing the heavy hydrocarbons may produce lighter, more valuable hydrocarbons. An API gravity of the hydrogenated heavy hydrocarbons may be substantially higher than an API gravity of the un-hydrogenated heavy hydrocarbons.

In an embodiment, pressurizing fluid 2214 may be provided to formation 2200 through a conduit disposed in/or proximate to production well 2210. The conduit may be configured to provide pressurizing fluid 2214 into formation 2200 proximate to upper impermeable layer 2204.

In another embodiment, low temperature heat source 2216 may be turned down and/or off in production wells 2210. The heavy hydrocarbons in formation 2200 may be mobilized by transfer of heat from selected pyrolyzation section 2202 into an adjacent portion of formation 2200. Heat transfer from selected pyrolyzation section 2202 may be substantially by conduction.

5 FIG. 45 illustrates an embodiment configured to treat a relatively permeable formation without substantially pyrolyzing mobilized fluids. Low temperature heat source 2216 may be disposed in production well 2210. Low temperature heat source 2216, conduit 2212, and impermeable layers 2204 may be configured as described in the embodiment shown in FIG. 44. Low temperature heat source 2216 may be further configured to provide heat to formation 2200 to heat some or all of formation 2200 to an average temperature within the mobilization temperature range. Mobilized fluids within formation 2200 may flow towards a bottom of formation 10 2200 substantially by gravity. Pressurizing fluid 2214 may be provided into formation 2200 through conduit 2212 and may be configured, as described in the embodiment shown in FIG. 44, to increase a flow of the mobilized fluids towards the bottom of formation 2200. Pressurizing fluid 2214 may also be provided into formation 2200 through a conduit disposed in/or proximate to production well 2210. Formation fluids may be removed through production well 2210 at and/or near the bottom of formation 2200. Low temperature heat source 2216 may provide heat to the formation fluids removed through production well 2210. The provided heat may vaporize the removed formation fluids within production well 2210 such that the formation fluids may be removed as a vapor. 15 The provided heat may also increase an API gravity of the removed formation fluids within production well 2210.

FIG. 46 illustrates an embodiment for treating a relatively permeable formation with layers 2201 of heavy hydrocarbons separated by impermeable layers 2204. Heat injection well 2220 and production well 2210 20 may be disposed in relatively permeable formation 2200. Substantially impermeable layers 2204 may separate layers 2201. Heavy hydrocarbons may be disposed in layers 2201. Low temperature heat source 2216 may be disposed in injection well 2220. Low temperature heat source 2216 may be configured as described in any of the above embodiments. Heavy hydrocarbons may be mobilized by heat provided from low temperature heat source 2216 such that a viscosity of the heavy hydrocarbons may be substantially reduced. Pressurizing fluid 2214 may be provided through openings in injection well 2220 into layers 2201. The pressure of pressurizing fluid 2214 25 may cause the mobilized fluids to flow towards production well 2210. The pressure of pressurizing fluid 2214 at or near injection well 2220 may be about 7 bars absolute to about 70 bars absolute. However, the pressure of pressurizing fluid 2214 may be controlled to remain below a pressure that may lift the overburden of relatively permeable formation 2200. 30

High temperature heat source 2218 may be disposed in production well 2210. High temperature heat source 2218 may be configured as described in any of the above embodiments. Heat provided by high temperature heat source 2218 may substantially pyrolyze a portion of the mobilized fluids within a selected pyrolyzation section proximate to production well 2210. The pyrolyzation and/or mobilized fluids may be removed from layers 2201 by production well 2210. High temperature heat source 2218 may further upgrade the removed formation fluids within production well 2210. The removed formation fluids may be removed as a vapor through production well 2210. A pressure at or near production well 2210 may be less than about 70 bars absolute. By not heating the entire formation to pyrolyzation temperatures, the process may produce a substantially higher ratio of energy produced versus energy input for the in situ conversion process. Upgrading of 35 the formation fluids at or near production well 2210 may produce a substantially higher value product. 40

In another embodiment, high temperature heat source 2218 may be replaced with low temperature heat source 2216 within production well 2210. Low temperature heat source 2216 may provide for substantially less pyrolyzation of the heavy hydrocarbons within layers 2201 than high temperature heat source 2218. Therefore, the formation fluids removed through production well 2210 may not be as substantially upgraded as formation fluids removed through production well 2210 with high temperature heat source 2218, as described for the embodiment shown in FIG. 46.

In another embodiment, pyrolyzation of the heavy hydrocarbons may be increased by replacing low temperature heat source 2216 with high temperature heat source 2218 within injection well 2220. High temperature heat source 2218 may provide for substantially more pyrolyzation of the heavy hydrocarbons within layers 2201 than low temperature heat source 2216. The formation fluids removed through production well 2210 may be substantially upgraded as compared to the formation fluids removed in a process using low temperature heat source 2216 within injection well 2220 as described in the embodiment shown in FIG. 46.

In some embodiments, a relatively permeable formation containing heavy hydrocarbons may be substantially below a substantially thick impermeable layer (overburden). The overburden may have a thickness of at least about 300 m or more. The thickness of the overburden may be determined by a geographical location of the relatively permeable formation.

In some embodiments, it may be more economical to provide heat to the formation with heat sources disposed horizontally within the relatively permeable formation. A production well may also be disposed horizontally within the relatively permeable formation. The production well may be disposed, however, either horizontally within the relatively permeable formation, vertically within the relatively permeable formation, or at an angle to the relatively permeable formation.

Production well 2210 may also be further configured as described in any of the embodiments herein. For example, production well 2210 may include a valve configured to alter, maintain, and/or control a pressure of at least a portion of the formation.

FIG. 47 illustrates an embodiment for treating a relatively permeable formation using horizontal heat sources. Heat source 2300 may be disposed within relatively permeable formation 2200. Relatively permeable formation 2200 may be substantially below impermeable layer 2204. Impermeable layer 2204 may include, but may not be limited to, shale or carbonate. Impermeable layer 2204 may have a thickness of about 20 m or more. As in FIG. 46, a thickness of impermeable layer 2204 may depend on, for example, a geographic location of impermeable layer 2204. Heat source 2300 may be disposed horizontally within relatively permeable formation 2200. Heat source 2300 may be configured to provide heat to a portion of relatively permeable formation 2200. Heat source 2300 may include a low temperature heat source and/or a high temperature heat source as described in any of the above embodiments. The provided heat may be configured to substantially mobilize a portion of heavy hydrocarbons within relatively permeable formation 2200 as in any of the embodiments described herein. The provided heat may also be configured to pyrolyze a portion of heavy hydrocarbons within relatively permeable formation 2200 as in any of the embodiments described herein. A length of heat source 2300 disposed within relatively permeable formation 2200 may be between about 50 m to about 1500 m. The length of heat source 2300 within relatively permeable formation 2200 may vary, however, depending on, for example, a width of relatively permeable formation 2200, a desired production rate, and an energy output of heat source 2300.

FIG. 48 illustrates an embodiment for treating a relatively permeable formation using substantially horizontal heat sources. Heat sources 2300 may be disposed horizontally within relatively permeable formation

WO 01/81239

PCT/US01/13452

2200. Heat sources 2300 may be configured as described in the above embodiment shown in FIG. 47. Heat sources 2300 are depicted in FIG. 48 from a different perspective than the heat sources shown in FIG. 47. Relatively permeable formation 2200 may be substantially below impermeable layer 2204. Production well 2302 may be disposed vertically, horizontally, or at an angle to relatively permeable formation 2200. The location of production well 2302 within relatively permeable formation 2200 may vary depending on, for example, a desired product and a desired production rate. For example, production well 2302 may be disposed proximate to a bottom of relatively permeable formation 2200.

Heat sources 2300 may provide heat to substantially mobilize a portion of the heavy hydrocarbons within relatively permeable formation 2200. The mobilized fluids may flow towards a bottom of relatively permeable formation 2200 substantially by gravity. The mobilized fluids may be removed through production well 2302. Each of heat sources 2300 disposed at or near the bottom of relatively permeable formation 2200 may be configured to heat some or all of a section proximate the bottom of formation 2200 to a temperature sufficient to pyrolyze heavy hydrocarbons within the section. Such a section may be referred to as a selected pyrolyzation section. A temperature within the selected pyrolyzation section may be between about 270 °C and about 400 °C and may be configured as described in any of the embodiments herein. Pyrolysis of the heavy hydrocarbons within the selected pyrolyzation section may convert at least a portion of the heavy hydrocarbons into pyrolyzation fluids. The pyrolyzation fluids may be removed through production well 2302. Production well 2302 may be disposed within the selected pyrolyzation section. In some embodiments, one or more of heat sources 2300 may be turned down and/or off after substantially mobilizing the majority of the heavy hydrocarbons within relatively permeable formation 2200. Doing so may more efficiently heat the formation and/or may save on input energy costs associated with the in situ process. Also, heating during "off peak" times may be cheaper.

In an embodiment, production well 2302 may remain closed until a temperature sufficient to pyrolyze at least a portion of the heavy hydrocarbons in the selected pyrolyzation section may be reached. Doing so may inhibit production of substantial amounts of unfavorable heavy hydrocarbons from relatively permeable formation 2200. Production of substantial amounts of heavy hydrocarbons may require expensive equipment and/or reduce the life of production equipment.

In addition, heat may be provided within production well 2302 to vaporize the removed formation fluids. Heat may also be provided within production well 2302 to pyrolyze and/or upgrade the removed formation fluids as described in any of the embodiments herein.

A pressurizing fluid may be provided into relatively permeable formation 2200 through heat sources 2300. The pressurizing fluid may increase the flow of the mobilized fluids towards production well 2302. For example, increasing the pressure of the pressurizing fluid proximate heat sources 2300 will tend to increase the flow of the mobilized fluids towards production well 2302. The pressurizing fluid may include, but may not be limited to, N₂, CO₂, CH₄, H₂, steam, and/or mixtures thereof. Alternatively, the pressurizing fluid may be provided through an injection well disposed in relatively permeable formation 2200.

In addition, pressure in relatively permeable formation 2200 may be controlled such that a production rate of formation fluids may be controlled. The pressure in relatively permeable formation 2200 may be controlled through, for example, production well 2302, heat sources 2300, and/or a pressure control well disposed in relatively permeable formation 2200.

Production well 2302 may also be further configured as described in any of the embodiments herein. For example, production well 2302 may include a valve configured to alter, maintain, and/or control a pressure of at least a portion of the formation.

In an embodiment, an in situ process for treating a relatively permeable formation may include providing heat to a portion of a formation from a plurality of heat sources. A plurality of heat sources may be arranged within a relatively permeable formation in a pattern. FIG. 49 illustrates an embodiment of pattern 2404 of heat sources 2400 and production well 2402 that may be configured to treat a relatively permeable formation. Heat sources 2400 may be arranged in a "5 spot" pattern with production well 2402. In the "5 spot" pattern, four heat sources 2400 may be arranged substantially equidistant from production well 2402 and substantially equidistant from each other as depicted in FIG. 49. Depending on, for example, the heat generated by each heat source 2400, a spacing between heat sources 2400 and production well 2402 may be determined by a desired product or a desired production rate. Heat sources 2400 may also be configured as a production well. A spacing between heat sources 2400 and production well 2402 may be, for example, about 15 m. Also, production well 2402 may be configured as a heat source.

FIG. 50 illustrates an alternate embodiment of pattern 2406 heat sources 2400 may be arranged in a "7 spot" pattern with production well 2402. In the "7 spot" pattern, six heat sources 2400 may be arranged substantially equidistant from production well 2402 and substantially equidistant from each other as depicted in FIG. 50. Heat sources 2400 may also be configured as a production well. Also, production well 2402 may be configured as a heat source. A spacing between heat sources 2400 and production well 2402 may be determined as described in any of the above embodiments.

It is to be understood a geometrical pattern of heat sources 2400 and production wells 2402 is described herein by example. A pattern of heat sources 2400 and production wells 2402 may vary depending on, for example, the type of relatively permeable formation configured to be treated. For example, a pattern of heat sources 2400 and production wells 2402 may include a pattern as described in any of the embodiments herein. In addition, a location of a production well 2402 within a pattern of heat sources 2400 may be determined by, for example, a desired heating rate of the relatively permeable formation, a heating rate of the heat sources, a type of heat source, a type of relatively permeable formation, a composition of the relatively permeable formation, a viscosity of the relatively permeable formation, and/or a desired production rate.

In some embodiments, a portion of a relatively permeable formation may be heated at a heating rate in a range from about 0.1 °C/day to about 50 °C/day. A majority of hydrocarbons may be produced from a formation at a heating rate within a range of about 0.1 °C/day to about 15 °C/day. In an embodiment, the relatively permeable formation may be heated at a rate of less than about 0.7 °C/day through a significant portion of a temperature range in which pyrolyzation fluids are removed from the formation. The significant portion may be greater than 50 % of the time needed to span the temperature range, more than 75 % of the time needed to span the temperature range, or more than 90 % of the time needed to span the temperature range.

A quality of produced hydrocarbon fluids from a relatively permeable formation may also be described by a carbon number distribution. In general, lower carbon number products such as products having carbon numbers less than about 25 may be considered to be more valuable than products having carbon numbers greater than about 25. In an embodiment, treating a relatively permeable formation may include providing heat to at least a portion of a formation to produce hydrocarbon fluids from the formation of which a majority of the produced fluid may have carbon numbers of less than approximately 25, or, for example, less than approximately 20. For

WO 01/81239

PCT/US01/13452

example, less than about 20 % by weight of the produced condensable fluid may have carbon numbers greater than about 20.

In an embodiment, a pressure may be increased within a portion of a relatively permeable formation to a desired pressure during mobilization and/or pyrolysis of the heavy hydrocarbons. A desired pressure may be within a range from about 2 bars absolute to about 70 bars absolute. A majority of hydrocarbon fluids, however, may be produced while maintaining the pressure within a range from about 7 bars absolute to about 30 bars absolute. The pressure during mobilization and/or pyrolysis may vary or be varied. The pressure may be varied to control a composition of the produced fluid, to control a percentage of condensable fluid as compared to non-condensable fluid, or to control an API gravity of fluid being produced. Increasing pressure may increase the API gravity of the produced fluid. Increasing pressure may also increase a percentage of paraffins within the produced fluid.

Increasing the reservoir pressure may increase a hydrogen partial pressure within the produced fluid. For example, a hydrogen partial pressure within the produced fluid may be increased autogenously or through hydrogen injection. The increased hydrogen partial pressure may upgrade the heavy hydrocarbons. The heavy hydrocarbons may be reduced to lighter, higher quality hydrocarbons. The lighter hydrocarbons may be produced by reaction of hydrogen with heavy hydrocarbon fragments within the produced fluid. The hydrogen dissolved in the fluid may also reduce olefins within the produced fluid. Therefore, an increased hydrogen pressure in the fluid may decrease a percentage of olefins within the produced fluid. Decreasing the percentage of olefins and/or heavy hydrocarbons within the produced fluid may increase a quality (e.g., an API gravity) of the produced fluid. In some embodiments, a pressure within a portion of a relatively permeable formation may be raised by gas generation within the heated portion.

In an embodiment, a fluid produced from a portion of a relatively permeable formation by an in situ process, as described in any of the embodiments herein, may include nitrogen. For example, less than about 0.5 % by weight of the condensable fluid may include nitrogen or, for example, less than about 0.1 % by weight of the condensable fluid. In addition, a fluid produced by an in situ process as described in above embodiments may include oxygen. For example, less than about 7 % by weight of the condensable fluid may include oxygen or, for example, less than about 5 % by weight of the condensable fluid. A fluid produced from a relatively permeable formation may also include sulfur. For example, less than about 5 % by weight of the condensable fluid may include sulfur or, for example, less than about 3 % by weight of the condensable fluid. In some embodiments, a weight percent of nitrogen, oxygen, and/or sulfur in a condensable fluid may be decreased by increasing a fluid pressure in a relatively permeable formation during an in situ process.

In an embodiment, condensable hydrocarbons of a fluid produced from a relatively permeable formation may include aromatic compounds. For example, greater than about 20 % by weight of the condensable hydrocarbons may include aromatic compounds. In another embodiment, an aromatic compound weight percent may include greater than about 30 % of the condensable hydrocarbons. The condensable hydrocarbons may also include di-aromatic compounds. For example, less than about 20 % by weight of the condensable hydrocarbons may include di-aromatic compounds. In another embodiment, di-aromatic compounds may include less than about 15 % by weight of the condensable hydrocarbons. The condensable hydrocarbons may also include tri-aromatic compounds. For example, less than about 4 % by weight of the condensable hydrocarbons may include tri-aromatic compounds. In another embodiment, tri-aromatic compounds may include less than about 1 % by weight of the condensable hydrocarbons.

In an embodiment, an in situ process for treating heavy hydrocarbons in at least a portion of a relatively low permeability formation may include heating the formation from one or more heat sources. The one or more heat sources may be configured as described in any of the embodiments herein. At least one of the heat sources may be an electrical heater. In one embodiment, at least one of the heat sources may be located in a heater well. The heater well may include a conduit through which a hot fluid flows that transfers heat to the formation. At least some of the heavy hydrocarbons in a selected section of the formation may be pyrolyzed by the heat from the one or more heat sources. A temperature sufficient to pyrolyze heavy hydrocarbons in a hydrocarbon containing formation of relatively low permeability may be within a range from about 270 °C to about 300 °C. In other embodiments, a temperature sufficient to pyrolyze heavy hydrocarbons may be within a range from about 300 °C to about 375 °C. Pyrolyzation fluids may be produced from the formation. In one embodiment, fluids may be produced through at least one production well.

In addition, heating may also increase the average permeability of at least a portion of the selected section. The increase in temperature of the formation may create thermal fractures in the formation. The thermal fractures may propagate between heat sources, further increasing the permeability in a portion of a selected section of the formation. Due to the increased permeability, mobilized fluids in the formation may tend to flow to a heat source and may be pyrolyzed.

In one embodiment, the pressure in at least a portion of the relatively low permeability formation may be controlled to maintain a composition of produced formation fluids within a desired range. The composition of the produced formation fluids may be monitored. The pressure may be controlled by a back pressure valve located proximate to where the formation fluids are produced. A desired operating pressure of a production well, such that a desired composition may be obtained, may be determined from experimental data for the relationship between pressure and the composition of pyrolysis products of the heavy hydrocarbons in the formation.

FIG. 51 is a view of an embodiment of a heat source and production well pattern for heating heavy hydrocarbons in a relatively low permeability formation. Heat sources 2502, 2503, and 2504 may be arranged in a triangular pattern with the heat sources at the apices of the triangular grid. A production well 2500 may be located proximate to the center of the triangular grid. In other embodiments, production well 2500 may be placed at any location on the grid pattern. Heat sources may be arranged in patterns other than the triangular pattern shown in FIG. 51. For example, wells may be arranged in square patterns. Heat sources 2502, 2503, and 2504 may heat the formation to a temperature at which at least some of the heavy hydrocarbons in the formation can pyrolyze. Pyrolyzation fluids may tend to flow toward the production well, as indicated by the arrows, and formation fluids may be produced through production well 2500.

In one embodiment, an average distance between heat sources effective to pyrolyze heavy hydrocarbons in the formation may be between about 5 m and about 8 m. In one embodiment, a more effective range may be between about 2 m and about 5 m.

One embodiment for treating heavy hydrocarbons in a portion of a relatively low permeability formation may include providing heat from one or more heat sources to pyrolyze some of the heavy hydrocarbons and vaporize a portion of the heavy hydrocarbons in a selected section of the formation. Heavy hydrocarbons in the formation may be vaporized at a temperature between about 300 °C and about 350 °C. In another embodiment, heavy hydrocarbons in the formation may be vaporized at a temperature between about 350 °C and about 450 °C. The vaporized and pyrolyzed fluids may flow to a location proximate to where the fluids are produced. In one

WO 01/81239

PCT/US01/13452

embodiment, fluids may be produced from the formation through a production well. Due to a buildup of pressure from vaporization, it may be necessary to relieve the pressure through the production well.

FIG. 51 may also represent an embodiment in which at least some heavy hydrocarbons may be pyrolyzed and a portion of the heavy hydrocarbons may be vaporized at or near at least two heat sources. Heat sources 2502, 2503, and 2504 may heat the formation to a temperature sufficient to vaporize fluid in the formation. The vaporized fluid may tend to flow in a direction from the heat sources toward production well 2500, as indicated by the arrows, where the fluid may be produced.

In one embodiment for treating heavy hydrocarbons in a portion of a hydrocarbon containing formation of relatively low permeability, heat may be provided from one or more heat sources with at least one of the heat sources located in a heater well. The heat sources may pyrolyze at least some heavy hydrocarbons in a selected section of the formation and may pressurize at least a portion of the selected section. During heating, the pressure within the formation may increase substantially. The pressure in the formation may be controlled such that the pressure in the formation may be maintained to produce a fluid of a desired composition. Pyrolysis products may be removed from the formation as vapor from one or more heater wells disposed in the formation. Back pressure created by heating the formation may be used to produce the pyrolysis products through the one or more heater wells.

FIG. 52 is a view of an embodiment of a heat source pattern for heating heavy hydrocarbons in a portion of a hydrocarbon containing formation of relatively low permeability and producing fluids from one or more heater wells. Heat sources 2502 may be arranged in a triangular pattern and may be disposed in heater wells. The heat sources may provide heat to pyrolyze some or all of the fluid in the formation. Fluids may be produced through one or more of the heater wells.

One embodiment for treating heavy hydrocarbons in a portion of a hydrocarbon containing formation of relatively low permeability may include heating the formation to create at least two zones within the formation such that the at least two zones have different average temperatures. One or more heat sources may heat a selected first section of the formation that creates a pyrolysis zone in which heavy hydrocarbons may be pyrolyzed within the selected first section. In addition, one or more heat sources may heat a selected second section of the formation such that at least some of the heavy hydrocarbons in the second selected section have an average temperature less than the average temperature of the pyrolysis zone.

Heating the selected second section may decrease the viscosity of some of the heavy hydrocarbon in the selected second section to create a low viscosity zone. The decrease in viscosity of the heavy hydrocarbons in the selected second section may be sufficient to produce mobilized fluids within the selected second section. The mobilized fluids may flow into the pyrolysis zone. For example, increasing the temperature of the heavy hydrocarbons in the formation to between about 200 °C and about 250 °C may decrease the viscosity of the heavy hydrocarbons sufficiently for the heavy hydrocarbons to flow through the formation. In another embodiment, increasing the temperature of the fluid to between about 180 °C and about 200 °C may also be sufficient to mobilize the heavy hydrocarbons. For example, the viscosity of heavy hydrocarbons in a formation at 200 °C may be about 50 centipoise to about 200 centipoise.

Heating may create thermal fractures that may propagate between heat sources in both the selected first section and the selected second section. The thermal fractures may substantially increase the permeability of the formation and may facilitate the flow of mobilized fluids from the low viscosity zone to the pyrolysis zone. In one embodiment, a vertical hydraulic fracture may be created in the formation to further increase permeability.

WO 01/81239

PCT/US01/13452

The presence of a hydraulic fracture may also be desirable since heavy hydrocarbons that may collect in the hydraulic fracture may have an increased residence time in the pyrolysis zone. The increased residence time may result in increased pyrolysis of the heavy hydrocarbons in the pyrolysis zone.

Also, substantially simultaneously with the decrease in viscosity, the pressure in the low viscosity zone may increase due to thermal expansion of the formation and evaporation of entrained water in the formation to form steam. For example, pressures in the low viscosity zone may range from about 10 bars absolute to an overburden pressure, which may be about 70 bars absolute. In other embodiments the pressure may range from about 15 bars absolute to about 50 bars absolute. The value of the pressure may depend upon factors such as, but not limited to, the degree of thermal fracturing, the amount of water in the formation, and material properties of the formation. The pressure in the pyrolysis zone may be substantially lower than the pressure in the low viscosity zone because of the higher permeability of the pyrolysis zone. The higher temperature in the pyrolysis zone compared to the low viscosity zone may cause a higher degree of thermal fracturing, and thus a greater permeability. For example, pyrolysis zone pressures may range from about 3.5 bars absolute to about 10 bars absolute. In other embodiments, pyrolysis zone pressures may range from about 10 bars absolute to about 15 bars absolute.

The pressure differential between the pyrolysis zone and the low viscosity zone may force some mobilized fluids to flow from the low viscosity zone into the pyrolysis zone. Heavy hydrocarbons in the pyrolysis zone may be upgraded by pyrolysis into pyrolyzation fluids. Pyrolyzation fluids may be produced from the formation through a production well. In another embodiment, a pyrolyzation fluid produced from the formation may include a liquid.

In one embodiment, the density of the heat sources in the pyrolysis zone may be greater than the density of heat sources in the low viscosity zone. The increased density of heat sources in the pyrolysis zone may establish and maintain a uniform pyrolysis temperature in the pyrolysis zone. Using a lower density of heat sources in the low viscosity zone may be more efficient and economical due to the lower temperature required in the low viscosity zone. In one embodiment, an average distance between heat sources for heating the first selected section may be between about 5 m and about 10 m. Alternatively, an average distance may be between about 2 m and about 5 m. In some embodiments, an average distance between heat sources for heating the second selected section may be between about 5 m and about 20 m.

In an embodiment, the pyrolysis zone and one or more low viscosity zones may be heated sequentially over time. Heat sources may heat the first selected section until an average temperature of the pyrolysis zone reaches a desired pyrolysis temperature. Subsequently, heat sources may heat one or more low viscosity zones of the selected second section that may be nearest the pyrolysis zone until such low viscosity zones reach a desired average temperature. Heating low viscosity zones of the selected second section farther away from the pyrolysis zone may continue in a like manner.

In one embodiment, heat may be provided to a formation to create a planar pyrolysis zone and a planar low viscosity zone. One or more planar low viscosity zones may be created with symmetry about the pyrolysis zone and may tend to force heavy hydrocarbons toward the pyrolysis zone. In one embodiment, fluids in the pyrolysis zone may be produced from a production well located in the pyrolysis zone.

FIG. 53 is a view an embodiment of a heat source and production well pattern illustrating a pyrolysis zone and a low viscosity zone. Heat sources 2512 along plane 2504 and plane 2506 may heat planar region 2508 to create a pyrolysis zone. Heating may create thermal fractures 2510 in the pyrolysis zone. Heating with heat

WO 01/81239

PCT/US01/13452

sources 2514 in planes 2516, 2518, 2520, and 2522 may create a low viscosity zone with an increased permeability due to thermal fractures. Pressure differential between the low viscosity zone and the pyrolysis zone may force mobilized fluid from the low viscosity zone into the pyrolysis zone. The permeability created by thermal fractures 2510 may be sufficiently high to create a substantially uniform pyrolysis zone. Pyrolyzation fluids may be produced through production well 2500.

In one embodiment, it may be desirable to create the pyrolysis zone and low viscosity zone sequentially over time. The heat sources nearest the pyrolysis zone may be activated first, for example, heat sources 2512 in plane 2504 and plane 2506 of FIG. 53. A substantially uniform temperature may be established in the pyrolysis zone after a period of time. Mobilized fluids that flow through the pyrolysis zone may undergo pyrolysis and vaporize. Once the pyrolysis zone is established, heat sources in the low viscosity zone (e.g., heat sources 2514 in plane 2516 and plane 2520) nearest the pyrolysis zone may be turned on and/or up to establish a low viscosity zone. A larger low viscosity zone may be developed by repeatedly activating heat sources (e.g., heat sources 2514 in plane 2518 and plane 2522) farther away from the pyrolysis zone.

FIG. 54 is an expanded view of the pattern shown in FIG. 53. The four planar vertical regions 2540 that correspond to region 2508 in FIG. 53, may include heat sources that may create pyrolysis zones. Regions 2548, 2550, and 2552 may include heat sources that apply heat to create a low viscosity zone. Production wells 2500 may be disposed in regions where pyrolysis occurs and may be configured to remove the pyrolyzation fluids. In one embodiment, a length of the pyrolysis zones 2540 may be between about 75 m and about 100 m. In another embodiment, a length of the pyrolysis zones may be between about 100 m and about 125 m. In another embodiment, an average distance between production wells in the same plane may be between about 100 m and about 150 m. In one embodiment, a distance between plane 2542 and plane 2544 may be between about 40 m and about 80 m. In some embodiments, more than one production well may be disposed in a region where pyrolysis occurs. Plane 2542 and plane 2544 may be substantially parallel. The formation may include additional planar vertical pyrolysis zones that may be substantially parallel to each other. Hot fluids may be provided into vertical planar regions such that in situ pyrolysis of heavy hydrocarbons may occur. Pyrolyzation fluids may be removed by production wells disposed in the vertical planar regions.

An embodiment of a planar pyrolysis zone may include a vertical hydraulic fracture created by a production well in the formation. The formation may include heat sources located substantially parallel to the vertical hydraulic fracture in the formation. Heat sources in a planar region adjacent to the fracture may provide heat sufficient to pyrolyze at least some or all of the heavy hydrocarbons in a pyrolysis zone. Heat sources outside the planar region may heat the formation to a temperature sufficient to decrease the viscosity of the fluids in a low viscosity zone.

FIG. 55 is a view of an embodiment for treating heavy hydrocarbons in at least a portion of a hydrocarbon containing formation of relatively low permeability that may include a well pattern and a vertical hydraulic fracture. Production well 2600 may be configured to create fracture 2602 by methods described in any of the embodiments herein. The width of fracture 2602 generated by hydraulic fracturing may be between about 0.3 cm and about 1 cm. In other embodiments, the width of fracture 2602 may be between about 1 cm and about 3 cm. The pyrolysis zone may be formed in a planar region on either side of the vertical hydraulic fracture by heating the planar region to an average temperature within a pyrolysis temperature range with heat sources 2604 in plane 2605 and plane 2606. Creation of a low viscosity zone on both sides of the pyrolysis zone, above plane 2605 and below plane 2606, may be accomplished by heat sources outside the pyrolysis zone. For example, heat

WO 01/81239

PCT/US01/13452

sources 2608 in planes 2610, 2612, 2614, and 2616 may heat the low viscosity zone to a temperature sufficient to lower the viscosity of heavy hydrocarbons in the formation. Mobilized fluids in the low viscosity zone may flow to the pyrolysis zone due to the pressure differential between the low viscosity zone and the pyrolysis zone and the increased permeability from thermal fractures.

5 FIG. 56 is an expanded view of an embodiment shown in FIG. 55. FIG. 56 illustrates a formation with two fractures 2645a and 2645b along plane 2645 and two fractures 2646a and 2646b along plane 2646. Each fracture may be produced using production wells 2640. Plane 2645 and plane 2646 may be substantially parallel. The length of a fracture created by hydraulic fracturing in relatively low permeability formations may be between about 75 m and about 100 m. In some embodiments, the vertical hydraulic fracture may be between about 100 m
10 and about 125 m. Vertical hydraulic fractures may propagate substantially equal distances along a plane from a production well. Therefore, since it may be undesirable for fractures along the same plane to join, the distance between production wells along the same plane may be between about 100 m and about 150 m. As the distance between fractures on different planes increases, for example the distance between plane 2645 and plane 2646, the flow of mobilized fluids farthest from either fracture may decrease. A distance between fractures on different
15 planes that may be economical and effective for the transport of mobilized fluids to the pyrolysis zone may be about 40 m to about 80 m.

Plane 2648 and plane 2649 may include heat sources that may provide heat sufficient to create a pyrolysis zone between plane 2648 and plane 2649. Plane 2651 and plane 2652 may include heat sources that create a pyrolysis zone between plane 2651 and plane 2652. Heat sources in regions 2650, 2660, 2655, and 2656
20 may provide heat that may create low viscosity zones. Mobilized fluids in regions 2650, 2660, 2655, and 2656 may tend to flow in a direction toward the closest fracture in the formation. Mobilized fluids entering the pyrolysis zone may be pyrolyzed. Pyrolyzation fluids may be produced from production wells 2640.

In one embodiment, heat may be provided to a relatively low permeability formation to create a radial pyrolysis zone and a low viscosity zone. A radial heating region may be created that tends to force fluids toward
25 a pyrolysis zone. Fluids may be pyrolyzed in the pyrolysis zone. Pyrolyzation fluids may be produced from production wells disposed in the pyrolysis zone. Heat sources may be located around a production well in concentric rings such as regular polygons. A variety of configurations of heat sources may be possible. Heat sources in a ring nearest the production well may heat the fluid to a pyrolysis temperature to create a radial pyrolysis zone. Additional concentric rings of heat sources may radiate outward from the pyrolysis zone and may
30 heat the fluid to create a low viscosity zone. Mobilized fluid in the low viscosity zone may flow to the pyrolysis zone due to the pressure differential between the low viscosity zone and the pyrolysis zone, and from the increased permeability due to thermal fracturing. Pyrolyzation fluids may be produced from the formation through the production well.

Several patterns of heat sources arranged in rings around production wells may be utilized to create a
35 radial pyrolysis region in hydrocarbon containing formations. Various patterns shown in FIGS. 57-70 are described herein. Although such patterns are discussed in the context of heavy hydrocarbons, it is to be understood that any of the patterns shown in FIGS. 57-70 may be used for other hydrocarbon containing formations (e.g., for coal, oil shale, etc.).

FIG. 57 illustrates an embodiment of a pattern of heat sources 2705 that may create a radial pyrolysis
40 zone surrounded by a low viscosity zone. Production well 2701 may be surrounded by concentric rings 2702, 2703, and 2704 of heat sources 2705. Heat sources 2705 in ring 2702 may heat the formation to create radial

pyrolysis zone 2710. Heat sources 2705 in rings 2703 and 2704 outside pyrolysis zone 2710 may heat the formation to create a low viscosity zone. Mobilized fluids may flow radially inward from the low viscosity zone to the pyrolysis zone 2710. Fluids may be produced through production well 2701. In one embodiment, an average distance between heat sources may be between about 2 m and about 10 m. Alternatively, the average distance may be between about 10 m and about 20 m.

As in other embodiments, it may be desirable to create pyrolysis zones and low viscosity zones sequentially. Heat sources 2705 nearest production well 2701 may be activated first, for example, heat sources 2705 in ring 2702. A substantially uniform temperature pyrolysis zone may be established after a period of time. Fluids that flow through the pyrolysis zone may undergo pyrolysis and vaporization. Once the pyrolysis zone is established, heat sources 2705 in the low viscosity zone substantially near the pyrolysis zone (e.g., heat sources 2705 in ring 2703) may be activated to provide heat to a portion of a low viscosity zone. Fluid may flow inward towards production well 2701 due to a pressure differential between the low viscosity zone and the pyrolysis zone, as indicated by the arrows. A larger low viscosity zone may be developed by repeatedly activating heat sources farther away from the fracture, for example, heat sources 2705 in ring 2704.

Several patterns of heat sources and production wells may be utilized in embodiments of radial heating zones for treating a relatively low permeability formation. The heat sources may be arranged in rings around the production wells. The pattern around each production well may be a hexagon that may contain a number of heat sources.

In FIG. 58, production well 2701 and heat source 2712 may be located at the apices of a triangular grid. The triangular grid may be an equilateral triangular grid with sides of length, s . Production wells 2701 may be spaced at a distance of about $1.732(s)$. Production well 2701 may be disposed at a center of a hexagonal pattern with one ring 2713 of six heat sources 2712. Each heat source 2712 may provide substantially equal amounts of heat to three production wells. Therefore, each ring 2713 of six heat sources 2712 may contribute approximately two equivalent heat sources per production well 2701.

FIG. 59 illustrates a pattern of production wells 2701 with an inner hexagonal ring 2713 and an outer hexagonal ring 2715 of heat sources 2712. In this pattern, production wells 2701 may be spaced at a distance of about $2(1.732)s$. Heat sources 2712 may be located at all other grid positions. This pattern may result in a ratio of equivalent heat sources to production wells that may approach eleven.

FIG. 60 illustrates three rings of heat sources 2712 surrounding production well 2701. Production well 2701 may be surrounded by ring 2713 of six heat sources 2712. Second hexagonally shaped ring 2716 of twelve heat sources 2712 may surround ring 2713. Third ring 2718 of heat sources 2712 may include twelve heat sources that may provide substantially equal amounts of heat to two production wells and six heat sources that may provide substantially equal amounts of heat to three production wells. Therefore, a total of eight equivalent heat sources may be disposed on third ring 2718. Production well 2701 may be provided heat from an equivalent of about twenty-six heat sources. FIG. 61 illustrates an even larger pattern that may have a greater spacing between production wells 2701.

Alternatively, square patterns may be provided with production wells placed, for example, in the center of each third square, resulting in four heat sources for each production well. Production wells may be placed within each fifth square in a square pattern, which may result in sixteen heat sources for each production well.

FIGs. 62, 63, 64, and 65 illustrate alternate embodiments in which both production wells and heat sources may be located at the apices of a triangular grid. In FIG. 62, a triangular grid, with a spacing of s , may

have production wells 2701 spaced at a distance of $2s$. A hexagonal pattern may include one ring 2730 of six heat sources 2732. Each heat source 2732 may provide substantially equal amounts of heat to two production wells 2701. Therefore, each ring 2730 of six heat sources 2732 contributes approximately three equivalent heat sources per production well 2701.

5 FIG. 63 illustrates a pattern of production wells 2701 with inner hexagonal ring 2734 and outer hexagonal ring 2736. Production wells 2701 may be spaced at a distance of $3s$. Heat sources 2732 may be located at apices of hexagonal ring 2734 and hexagonal ring 2736. Hexagonal ring 2734 and hexagonal ring 2736 may include six heat sources each. The pattern in FIG. 63 may result in a ratio of heat sources 2732 to production well 2701 of eight.

10 FIG. 64 illustrates a pattern of production wells 2701 also with two hexagonal rings of heat sources surrounding each production well. Production well 2701 may be surrounded by ring 2738 of six heat sources 2732. Production wells 2701 may be spaced at a distance of $4s$. Second hexagonally shaped ring 2740 may surround ring 2738. Second hexagonally shaped ring 2740 may include twelve heat sources 2732. This pattern may result in a ratio of heat sources 2732 to production wells 2701 that may approach fifteen.

15 FIG. 65 illustrates a pattern of heat sources 2732 with three rings of heat sources 2732 surrounding each production well 2701. Production wells 2701 may be surrounded by ring 2742 of six heat sources 2732. Second ring 2744 of twelve heat sources 2732 may surround ring 2742. Third ring 2746 of heat sources 2732 may surround second ring 2744. Third ring 2746 may include 6 equivalent heat sources. This pattern may result in a ratio of heat sources 2732 to production wells 2701 that is about 24:1.

20 FIGS. 66, 67, 68, and 69 illustrate patterns in which the production well may be disposed at a center of a triangular grid such that the production well may be equidistant from the apices of the triangular grid. In FIG. 66, the triangular grid of heater wells with a spacing of s may include production wells 2760 spaced at a distance of s . Each production well 2760 may be surrounded by ring 2764 of three heat sources 2762. Each heat source 2762 may provide substantially equal amounts of heat to three production wells 2760. Therefore, each ring 2764 of three heat sources 2762 may contribute one equivalent heat source per production well 2760.

25 FIG. 67 illustrates a pattern of production wells 2760 with inner triangular ring 2766 and outer ring 2768. In this pattern, production wells 2760 may be spaced at a distance of $2s$. Heat sources 2762 may be located at apices of inner ring 2766 and outer ring 2768. Inner ring may contribute three equivalent heat sources per production well 2760. Outer hexagonal ring 2768 containing three heater wells may contribute one equivalent heat source per production well 2760. Thus, a total of four equivalent heat sources may provide heat to production well 2760.

30 FIG. 68 illustrates a pattern of production wells with one inner triangular ring of heat sources surrounding each production well, one inverted triangular ring, and one irregular hexagonal outer ring. Production wells 2760 may be surrounded by ring 2770 of three heat sources 2762. Production wells 2760 may be spaced at a distance of $3s$. Irregular hexagonally shaped ring 2772 of nine heat sources 2762 may surround ring 2770. This pattern may result in a ratio of heat sources 2762 to production wells 2760 of three.

35 FIG. 69 illustrates triangular patterns of heat sources with three rings of heat sources surrounding each production well. Production wells 2760 may be surrounded by ring 2774 of three heat sources 2762. Irregular hexagon pattern 2776 of nine heat sources 2762 may surround ring 2774. Third set 2778 of heat sources 2762 may surround hexagonal pattern 2776. Third set 2778 may contribute four equivalent heat sources to production well 2760. A ratio of equivalent heat sources to production well 2760 may be sixteen.

One embodiment for treating heavy hydrocarbons in at least a portion of a relatively low permeability formation may include heating the formation from three or more heat sources. At least three of the heat sources may be arranged in a substantially triangular pattern. At least some of the heavy hydrocarbons in a selected section of the formation may be pyrolyzed by the heat from the three or more heat sources. Pyrolyzation fluids generated by pyrolysis of heavy hydrocarbons in the formation may be produced from the formation. In one embodiment, fluids may be produced through at least one production well disposed in the formation.

FIG. 70 depicts an embodiment of a pattern of heat sources 2705 arranged in a triangular pattern. Production well 2701 may be surrounded by triangles 2780, 2782, and 2784 of heat sources 2705. Heat sources 2705 in triangles 2780, 2782, and 2784 may provide heat to the formation. The provided heat may raise an average temperature of the formation to a pyrolysis temperature. Pyrolyzation fluids may flow to production well 2701. Formation fluids may be produced in production well 2701.

FIG. 71 illustrates a schematic diagram of an embodiment of surface facilities 2800 that may be configured to treat a formation fluid. The formation fluid may be produced through a production well as described herein. The formation fluid may include any of a formation fluid produced by any of the methods as described herein. As shown in Fig. 71, surface facilities 2800 may be coupled to well head 2802. Well head 2802 may also be coupled to a production well formed in a formation. For example, the well head may be coupled to a production well by various mechanical devices proximate an upper surface of the formation. Therefore, a formation fluid produced through a production well may also flow through well head 2802. Well head 2802 may be configured to separate the formation fluid into gas stream 2804, liquid hydrocarbon condensate stream 2806, and water stream 2808.

Surface facilities 2800 may be configured such that water stream 2808 may flow from well head 2802 to a portion of a formation, to a containment system, or to a processing unit. For example, water stream 2808 may flow from well head 2802 to an ammonia production unit. The surface facilities may be configured such that ammonia produced in the ammonia production unit may flow to an ammonium sulfate unit. The ammonium sulfate unit may be configured to combine the ammonia with H_2SO_4 or SO_2/SO_3 to produce ammonium sulfate. In addition, the surface facilities may be configured such that ammonia produced in the ammonia production unit may flow to a urea production unit. The urea production unit may be configured to combine carbon dioxide with the ammonia to produce urea.

Surface facilities 2800 may be configured such that gas stream 2804 may flow through a conduit from well head 2802 to gas treatment unit 2810. The conduit may include a pipe or any other fluid communication mechanism known in the art. The gas treatment unit may be configured to separate various components of gas stream 2804. For example, the gas treatment unit may be configured to separate gas stream 2804 into carbon dioxide stream 2812, hydrogen sulfide stream 2814, hydrogen stream 2816, and stream 2818 that may include, but may not be limited to, methane, ethane, propane, butanes (including n-butane or iso-butane), pentane, ethene, propene, butene, pentene, water or combinations thereof.

Surface facilities 2800 may be configured such that the carbon dioxide stream may flow through a conduit to a formation, to a containment system, to a disposal unit, and/or to another processing unit. In addition, the facilities may be configured such that the hydrogen sulfide stream may also flow through a conduit to a containment system and/or to another processing unit. For example, the hydrogen sulfide stream may be converted into elemental sulfur in a Claus process unit. The gas treatment unit may also be configured to separate gas stream 2804 into stream 2819 that may include heavier hydrocarbon components from gas stream 2804.

WO 01/81239

PCT/US01/13452

Heavier hydrocarbon components may include, for example, hydrocarbons having a carbon number of greater than about 5. Surface facilities 2800 may be configured such that heavier hydrocarbon components in stream 2819 may be provided to liquid hydrocarbon condensate stream 2806.

Surface facilities 2800 may also include processing unit 2821. Processing unit 2821 may be configured to separate stream 2818 into a number of streams. Each of the number of streams may be rich in a predetermined component or a predetermined number of compounds. For example, processing unit 2821 may separate stream 2818 into first portion 2820 of stream 2818, second portion 2823 of stream 2818, third portion 2825 of stream 2818, and fourth portion 2831 of stream 2818. First portion 2820 of stream 2818 may include lighter hydrocarbon components such as methane and ethane. The surface facilities may be configured such that first portion 2820 of stream 2818 may flow from gas treatment unit 2810 to power generation unit 2822.

Power generation unit 2822 may be configured for extracting useable energy from the first portion of stream 2818. For example, stream 2818 may be produced under pressure. In this manner, power generation unit may include a turbine configured to generate electricity from the first portion of stream 2818. The power generation unit may also include, for example, a molten carbonate fuel cell, a solid oxide fuel cell, or other type of fuel cell. The facilities may be further configured such that the extracted useable energy may be provided to user 2824. User 2824 may include, for example, surface facilities 2800, a heat source disposed within a formation, and/or a consumer of useable energy.

Second portion 2823 of stream 2818 may also include light hydrocarbon components. For example, second portion 2823 of stream 2818 may include, but may not be limited to, methane and ethane. Surface facilities 2800 may also be configured such that second portion 2823 of stream 2818 may be provided to natural gas grid 2827. Alternatively, surface facilities may also be configured such that second portion 2823 of stream 2818 may be provided to a local market. The local market may include a consumer market or a commercial market. In this manner, the second portion 2823 of stream 2818 may be used as an end product or an intermediate product depending on, for example, a composition of the light hydrocarbon components.

Third portion 2825 of stream 2818 may include liquefied petroleum gas ("LPG"). Major constituents of LPG may include hydrocarbon containing three or four carbon atoms such as propane and butane. Butane may include n-butane or iso-butane. LPG may also include relatively small concentrations of other hydrocarbons such as ethene, propene, butene, and pentene. Depending on the source of LPG and how it has been produced, however, LPG may also include additional components. LPG may be a gas at atmospheric pressure and normal ambient temperatures. LPG may be liquefied, however, when moderate pressure is applied or when the temperature is sufficiently reduced. When such moderate pressure is released, LPG gas may have about 250 times a volume of LPG liquid. Therefore, large amounts of energy may be stored and transported compactly as LPG.

Surface facilities 2800 may also be configured such that third portion 2825 of stream 2818 may be provided to local market 2829. The local market may include a consumer market or a commercial market. In this manner, the third portion 2825 of stream 2818 may be used as an end product or an intermediate product depending on, for example, a composition of the LPG. For example, LPG may be used in applications, such as food processing, aerosol propellants, and automotive fuel. LPG may usually be available in one or two forms for standard heating and cooking purposes: commercial propane and commercial butane. Propane may be more versatile for general use than butane because, for example, propane has a lower boiling point than butane.

Surface facilities 2800 may also be configured such that fourth portion 2831 of stream 2818 may flow from the gas treatment unit to hydrogen manufacturing unit 2828. Hydrogen containing stream 2830 is shown

WO 01/81239

PCT/US01/13452

exiting hydrogen manufacturing unit 2828. Examples of hydrogen manufacturing unit 2828 may include a steam reformer and a catalytic flameless distributed combustor with a hydrogen separation membrane. FIG. 72 illustrates an embodiment of a catalytic flameless distributed combustor. An example of a catalytic flameless distributed combustor with a hydrogen separation membrane is illustrated in U.S. Patent Application No. 60/273,354, filed on March 5, 2001, which is incorporated by reference as if fully set forth herein. A catalytic flameless distributed combustor may include fuel line 2850, oxidant line 2852, catalyst 2854, and membrane 2856. Fourth portion 2831 of stream 2818 may be provided to hydrogen manufacturing unit 2828 as fuel 2858. Fuel 2858 within fuel line 2850 may mix within reaction zone in annular space 2859 between the fuel line and the oxidant line. Reaction of the fuel with the oxidant in the presence of catalyst 2854 may produce reaction products that include H₂. Membrane 2856 may allow a portion of the generated H₂ to pass into annular space 2860 between outer wall 2862 of oxidant line 2852 and membrane 2856. Excess fuel passing out of fuel line 2850 may be circulated back to entrance of hydrogen manufacturing unit 2828. Combustion products leaving oxidant line 2852 may include carbon dioxide and other reactions products as well as some fuel and oxidant. The fuel and oxidant may be separated and recirculated back to the hydrogen manufacturing unit. Carbon dioxide may be separated from the exit stream. The carbon dioxide may be sequestered within a portion of a formation or used for an alternate purpose.

Fuel line 2850 may be concentrically positioned within oxidant line 2852. Critical flow orifices within fuel line 2850 may be configured to allow fuel to enter into a reaction zone in annular space 2859 between the fuel line and oxidant line 2852. The fuel line may carry a mixture of water and vaporized hydrocarbons such as, but not limited to, methane, ethane, propane, butane, methanol, ethanol, or combinations thereof. The oxidant line may carry an oxidant such as, but not limited to, air, oxygen enriched air, oxygen, hydrogen peroxide, or combinations thereof.

Catalyst 2854 may be located in the reaction zone to allow reactions that produce H₂ to proceed at relatively low temperatures. Without a catalyst and without membrane separation of H₂, a steam reformation reaction may need to be conducted in a series of reactors with temperatures for a shift reaction occurring in excess of 980 °C. With a catalyst and with separation of H₂ from the reaction stream, the reaction may occur at temperatures within a range from about 300 °C to about 600 °C, or within a range from about 400 °C to about 500 °C. Catalyst 2854 may be any steam reforming catalyst. In selected embodiments, catalyst 2854 is a group VIII transition metal, such as nickel. The catalyst may be supported on porous substrate 2864. The substrate may include group III or group IV elements, such as, but not limited to, aluminum, silicon, titanium, or zirconium. In an embodiment, the substrate is alumina (Al₂O₃).

Membrane 2856 may remove H₂ from a reaction stream within a reaction zone of a hydrogen manufacturing unit 2828. When H₂ is removed from the reaction stream, reactions within the reaction zone may generate additional H₂. A vacuum may draw H₂ from an annular region between membrane 2856 and wall 2862 of oxidant line 2852. Alternately, H₂ may be removed from the annular region in a carrier gas. Membrane 2856 may separate H₂ from other components within the reaction stream. The other components may include, but are not limited to, reaction products, fuel, water, and hydrogen sulfide. The membrane may be a hydrogen-permeable and hydrogen selective material such as, but not limited to, a ceramic, carbon, metal, or combination thereof. The membrane may include, but is not limited to, metals of group VIII, V, III, or I such as palladium, platinum, nickel, silver, tantalum, vanadium, yttrium, and/or niobium. The membrane may be supported on a porous substrate such as alumina. The support may separate the membrane 2856 from catalyst 2854. The separation distance and

insulation properties of the support may help to maintain the membrane within a desired temperature range. In this manner, hydrogen manufacturing unit 2828 may be configured to produce hydrogen-rich stream 2830 from the second portion stream 2818. The surface facilities may also be configured such that hydrogen-rich stream 2830 may flow into hydrogen stream 2816 to form stream 2832. In this manner, stream 2832 may include a larger volume of hydrogen than either hydrogen-rich stream 2830 or hydrogen stream 2816.

Surface facilities 2800 may be configured such that hydrocarbon condensate stream 2806 may flow through a conduit from well head 2802 to hydrotreating unit 2834. Hydrotreating unit 2834 may be configured to hydrogenate hydrocarbon condensate stream 2806 to form hydrogenated hydrocarbon condensate stream 2836. The hydrotreater may be configured to upgrade and swell the hydrocarbon condensate. For example, surface facilities 2800 may also be configured to provide stream 2832 (which includes a relatively high concentration of hydrogen) to hydrotreating unit 2834. In this manner, H₂ in stream 2832 may hydrogenate a double bond of the hydrocarbon condensate, thereby reducing a potential for polymerization of the hydrocarbon condensate. In addition, hydrogen may also neutralize radicals in the hydrocarbon condensate. In this manner, the hydrogenated hydrocarbon condensate may include relatively short chain hydrocarbon fluids. Furthermore, hydrotreating unit 2834 may be configured to reduce sulfur, nitrogen, and aromatic hydrocarbons in hydrocarbon condensate stream 2806. Hydrotreating unit 2834 may be a deep hydrotreating unit or a mild hydrotreating unit. An appropriate hydrotreating unit may vary depending on, for example, a composition of stream 2832, a composition of the hydrocarbon condensate stream, and/or a selected composition of the hydrogenated hydrocarbon condensate stream.

Surface facilities 2800 may be configured such that hydrogenated hydrocarbon condensate stream 2836 may flow from hydrotreating unit 2834 to transportation unit 2838. Transportation unit 2838 may be configured to collect a volume of the hydrogenated hydrocarbon condensate and/or to transport the hydrogenated hydrocarbon condensate to market center 2840. For example, market center 2840 may include, but may not be limited to, a consumer marketplace or a commercial marketplace. A commercial marketplace may include, but may not be limited to, a refinery. In this manner, the hydrogenated hydrocarbon condensate may be used as an end product or an intermediate product depending on, for example, a composition of the hydrogenated hydrocarbon condensate.

Alternatively, surface facilities 2800 may be configured such that hydrogenated hydrocarbon condensate stream 2836 may flow to a splitter or an ethene production unit. The splitter may be configured to separate the hydrogenated hydrocarbon condensate stream into a hydrocarbon stream including components having carbon numbers of 5 or 6, a naphtha stream, a kerosene stream, and a diesel stream. Streams exiting the splitter may be fed to the ethene production unit. In addition, the hydrocarbon condensate stream and the hydrogenated hydrocarbon condensate stream may be fed to the ethene production unit. Ethene produced by the ethene production unit may be fed to a petrochemical complex to produce base and industrial chemicals and polymers. Alternatively, the streams exiting the splitter may be fed to a hydrogen conversion unit. A recycle stream may be configured to flow from the hydrogen conversion unit to the splitter. The hydrocarbon stream exiting the splitter and the naphtha stream may be fed to a mogas production unit. The kerosene stream and the diesel stream may be distributed as product.

FIG. 73 illustrates an embodiment of an additional processing unit that may be included in surface facilities such as the facilities depicted in FIG. 71. Air separation unit 2900 may be configured to generate nitrogen stream 2902 and oxygen stream 2905. Oxygen stream 2905 and steam 2904 may be injected into

exhausted coal resource 2906 to generate synthesis gas 2907. Produced synthesis gas 2907 may be provided to Shell Middle Distillates process unit 2910 that may be configured to produce middle distillates 2912. In addition, produced synthesis gas 2907 may be provided to catalytic methanation process unit 2914 that may be configured to produce natural gas 2916. Produced synthesis gas 2907 may also be provided to methanol production unit 2918 to produce methanol 2920. Furthermore, produced synthesis gas 2907 may be provided to process unit 2922 for production of ammonia and/or urea 2924, and fuel cell 2926 that may be configured to produce electricity 2928. Synthesis gas 2907 may also be routed to power generation unit 2930, such as a turbine or combustor, to produce electricity 2932.

FIG. 74 illustrates an example of a square pattern of heat sources 3000 and production wells 3002. Heat sources 3000 are disposed at vertices of squares 3010. Production well 3002 is placed in a center of every third square in both x- and y-directions. Midlines 3006 are formed equidistant to two production wells 3002, and perpendicular to a line connecting such production wells. Intersections of midlines 3006 at vertices 3008 form unit cell 3012. Heat source 3000b and heat source 3000c are only partially within unit cell 3012. Only the one-half fraction of heat source 3000b and the one-quarter fraction of heat source 3000c within unit cell 3012 are configured to provide heat within unit cell 3012. The fraction of heat source 3000 outside of unit cell 3012 is configured to provide heat outside of unit cell 3012. The number of heat sources 3000 within one unit cell 3012 is a ratio of heat sources 3000 per production well 3002 within the formation.

The total number of heat sources inside unit cell 3012 is determined by the following method:

(a) 4 heat sources 3000a inside unit cell 3012 are counted as one heat source each;

(b) 8 heat sources 3000b on midlines 3006 are counted as one-half heat source each; and

(c) 4 heat sources 3000c at vertices 3008 are counted as one-quarter heat source each.

The total number of heat sources is determined from adding the heat sources counted by, (a) 4, (b) $8/2 = 4$, and (c) $4/4 = 1$, for a total number of 9 heat sources 3000 in unit cell 3012. Therefore, a ratio of heat sources 3000 to production wells 3002 is determined as 9:1 for the pattern illustrated in FIG. 74.

FIG. 75 illustrates an example of another pattern of heat sources 3000 and production wells 3002. Midlines 3006 are formed equidistant from the two production wells 3002, and perpendicular to a line connecting such production wells. Unit cell 3014 is determined by intersection of midlines 3006 at vertices 3008. Twelve heat sources 3000 are counted in unit cell 3014 by a method as described in the above embodiments, of which are six are whole sources of heat, and six are one third sources of heat (with the other two thirds of heat from such six wells going to other patterns). Thus, a ratio of heat sources 3000 to production wells 3002 is determined as 8:1 for the pattern illustrated in FIG. 75. An example of a pattern of heat sources is illustrated in U.S. Patent No. 2,923,535 issued to Ljungstrom, which is incorporated by reference as if fully set forth herein.

In certain embodiments, a triangular pattern of heat sources may provide advantages when compared to alternative patterns of heat sources, such as squares, hexagons, and hexagons with additional heaters installed halfway between the hexagon corners (12 to 1 pattern). Squares, hexagons, and the 12:1 patterns are disclosed in U.S. Patent No. 2,923,535 and/or in U.S. Patent No. 4,886,118. For example, a triangular pattern of heat sources may provide more uniform heating of a hydrocarbon containing formation resulting from a more uniform temperature distribution of an area of a formation heated by the pattern of heat sources.

FIG. 76 illustrates an embodiment of triangular pattern 3100 of heat sources 3102. FIG. 76a illustrates an embodiment of square pattern 3101 of heat sources 3103. FIG. 77 illustrates an embodiment of hexagonal pattern 3104 of heat sources 3106. FIG. 77a illustrates an embodiment of 12 to 1 pattern 3105 of heat sources 3107. A

WO 01/81239

PCT/US01/13452

temperature distribution for all patterns may be determined by an analytical method. The analytical method may be simplified by analyzing only temperature fields within "confined" patterns (e.g., hexagons), i.e., completely surrounded by others. In addition, the temperature field may be estimated to be a superposition of analytical solutions corresponding to a single heat source.

5 The comparisons of patterns of heat sources were evaluated for the same heater well density and the same heating input regime. For example, a number of heat sources per unit area in a triangular pattern is the same as the number of heat sources per unit area in the 10 m hexagonal pattern if the space between heat sources is increased to about 12.2 m in the triangular pattern. The equivalent spacing for a square pattern would be 11.3 m, while the equivalent spacing for a 12 to 1 pattern would be 15.7 m.

10 FIG. 78 illustrates temperature profile 3110 after three years of heating for a triangular pattern with a 12.2 m spacing in a typical Green River oil shale. The triangular pattern may be configured as shown in FIG. 76. Temperature profile 3110 is a three-dimensional plot of temperature versus a location within a triangular pattern. FIG. 79 illustrates temperature profile 3108 after three years of heating for a square pattern with 11.3 m spacing in a typical Green River oil shale. Temperature profile 3108 is a three-dimensional plot of temperature versus a location within a square pattern. The square pattern may be configured as shown in FIG. 76a. FIG. 79a illustrates temperature profile 3109 after three years of heating for a hexagonal pattern with 10.0 m spacing in a typical Green River oil shale. Temperature profile 3109 is a three-dimensional plot of temperature versus a location within a hexagonal pattern. The hexagonal pattern may be configured as shown in FIG. 77.

15 As shown in a comparison of FIGS. 78, 79 and 79a, a temperature profile of the triangular pattern is more uniform than a temperature profile of the square or hexagonal pattern. For example, a minimum temperature of the square pattern is approximately 280 °C, and a minimum temperature of the hexagonal pattern is approximately 250 °C. In contrast, a minimum temperature of the triangular pattern is approximately 300 °C. Therefore, a temperature variation within the triangular pattern after 3 years of heating is 20 °C less than a temperature variation within the square pattern and 50 °C less than a temperature variation within the hexagonal pattern. For a chemical process, where reaction rate is proportional to an exponent of temperature, even a 20 °C difference is substantial.

20 As shown in a comparison of FIGS. 78, 79 and 79a, a temperature profile of the triangular pattern is more uniform than a temperature profile of the square or hexagonal pattern. For example, a minimum temperature of the square pattern is approximately 280 °C, and a minimum temperature of the hexagonal pattern is approximately 250 °C. In contrast, a minimum temperature of the triangular pattern is approximately 300 °C. Therefore, a temperature variation within the triangular pattern after 3 years of heating is 20 °C less than a temperature variation within the square pattern and 50 °C less than a temperature variation within the hexagonal pattern. For a chemical process, where reaction rate is proportional to an exponent of temperature, even a 20 °C difference is substantial.

25 FIG. 80 illustrates a comparison plot between the average pattern temperature (in degrees Celsius) and temperatures at the coldest spots for each pattern, as a function of time (in years). The coldest spot for each pattern is located at a pattern center (centroid). As shown in FIG. 76, the coldest spot of a triangular pattern is point 3118, while point 3117 is the coldest spot of a square pattern, as shown in FIG. 76a. As shown in FIG. 77, the coldest spot of a hexagonal pattern is point 3114, while point 3115 is the coldest spot of a 12 to 1 pattern, as shown in FIG. 77a. The difference between an average pattern temperature and temperature of the coldest spot represents how uniform the temperature distribution for a given pattern is. The more uniform the heating, the better the product quality that may be made. The larger the volume fraction of resource that is overheated, the more undesirable product composition will be made.

30 As shown in FIG. 80, the difference between an average temperature 3120 of a pattern and temperature of the coldest spot is less for the triangular pattern 3118 than for square pattern 3117, hexagonal pattern 3114, or 12 to 1 pattern 3115. Again, there is a substantial difference between triangular and hexagonal patterns.

35 Another way to assess the uniformity of temperature distribution is to compare temperatures of the coldest spot of a pattern with a point located at the center of a side of a pattern midway between heaters. As shown in FIG. 77, point 3112 is located at the center of a side of the hexagonal pattern midway between heaters.

WO 01/81239

PCT/US01/13452

As shown in FIG. 76, point 3116 is located at the center of a side of a triangular pattern midway between heaters. Point 3119 is located at the center of a side of the square pattern midway between heaters, as shown in FIG. 76a.

FIG. 81 illustrates a comparison plot between the average pattern temperature (in degrees Celsius), 3120 temperatures at coldest spot 3118 for triangular patterns, coldest spot 3114 for hexagonal patterns, point 3116 located at the center of a side of triangular pattern midway between heaters, and point 3112 located at the center of a side of hexagonal pattern midway between heaters, as a function of time (in years). FIG. 81a illustrates a comparison plot between the average pattern temperature 3120 (in degrees Celsius), temperatures at coldest spot 3117 and point 3119 located at the center of a side of a pattern midway between heaters, as a function of time (in years), for a square pattern.

As shown in a comparison of FIGS. 81 and 81a, for each pattern, a temperature at a center of a side midway between heaters is higher than a temperature at a center of the pattern. A difference between a temperature at a center of a side midway between heaters and a center of the hexagonal pattern increases substantially during the first year of heating, and stays relatively constant afterward. A difference between a temperature at an outer lateral boundary and a center of the triangular pattern, however, is negligible. Therefore, a temperature distribution in a triangular pattern is substantially more uniform than a temperature distribution in a hexagonal pattern. A square pattern also provides more uniform temperature distribution than a hexagonal pattern, however it is still less uniform than a temperature distribution in a triangular pattern.

A triangular pattern of heat sources may have, for example, a shorter total process time than a square, hexagonal or 12 to 1 pattern of heat sources for the same heater well density. A total process time may include a time required for an average temperature of a heated portion of a formation to reach a target temperature and a time required for a temperature at a coldest spot within the heated portion to reach the target temperature. For example, heat may be provided to the portion of the formation until an average temperature of the heated portion reaches the target temperature. After the average temperature of the heated portion reaches the target temperature, an energy supply to the heat sources may be reduced such that less or minimal heat may be provided to the heated portion. An example of a target temperature may be approximately 340 °C. The target temperature, however, may vary depending on, for example, formation composition and/or formation conditions such as pressure.

FIG. 81b illustrates a comparison plot between the average pattern temperature and temperatures at the coldest spots for each pattern, as a function of time when heaters are turned off after the average temperature reaches a target value. As shown in FIG. 81b, an average temperature of the formation reaches a target temperature in approximately 3 years (about 340 °C). As shown in FIG. 81b, a temperature at the coldest point within the triangular pattern reaches the target temperature (about 340 °C) 0.8 years later. In this manner, a total process time for such a triangular pattern is about 3.8 years when the heat input is discontinued when the target average temperature is reached. As shown in FIG. 81b, a temperature at the coldest point within the triangular pattern reaches the target temperature (about 340 °C) before a temperature at the coldest point within the square pattern or a temperature at the coldest point within the hexagonal pattern reaches the target temperature. A temperature at the coldest point within the hexagonal pattern, however, reaches the target temperature after an additional time of about 2 years when the heaters are turned off upon reaching the target average temperature. Therefore, a total process time for a hexagonal pattern is about 5.0 years. In this manner, a total process time for heating a portion of a formation with a triangular pattern is 1.2 years less (approximately 25 %) than a total process time for heating a portion of a formation with a hexagonal pattern. In a preferred mode, the power to the heaters may be reduced or turned off when the average temperature of the pattern reaches a target level. This

prevents overheating the resource, which wastes energy and produces lower product quality. The triangular pattern has the most uniform temperatures and the least overheating. Although a capital cost of such a triangular pattern may be approximately the same as a capital cost of the hexagonal pattern, the triangular pattern may accelerate oil production and requires a shorter total process time. In this manner, such a triangular pattern may be more economical than a hexagonal pattern.

A spacing of heat sources in a triangular pattern, which may yield the same process time as a hexagonal pattern having about a 10.0 m space between heat sources, may be equal to approximately 14.3 m. In this manner, the total process time of a hexagonal pattern may be achieved by using about 26 % less heat sources than may be included in such a hexagonal pattern. In this manner, such a triangular pattern may have substantially lower capital and operating costs. As such, this triangular pattern may also be more economical than a hexagonal pattern.

FIG. 12 depicts an embodiment of a natural distributed combustor. In one experiment the embodiment schematically shown in FIG. 12 was used to heat high volatile bituminous C coal in situ. A heating well was configured to be heated with electrical resistance heaters and/or a natural distributed combustor such as is schematically shown in FIG. 12. Thermocouples were located every 2 feet along the length of the natural distributed combustor (along conduit 532 as is schematically shown in FIG. 12). The coal was first heated with electrical resistance heaters until pyrolysis was complete proximate the well. FIG. 130 depicts square data points measured during electrical resistance heating at various depths in the coal after the temperature profile had stabilized (the coal seam was about 16 feet thick starting at about 28 feet of depth). At this point heat energy was being supplied at about 300 Watts per foot. Air was subsequently injected via conduit 532 at gradually increasing rates, and electric power was substantially simultaneously decreased. Combustion products were removed from the reaction zone in an annulus surrounding conduit 532 and the electrical resistance heater. The electric power was decreased at rates that would approximately offset heating provided by the combustion of the coal caused by the natural distributed combustor. Air rates were increased, and power rates were decreased, over a period of about 2 hours until no electric power was being supplied. FIG. 130 depicts diamond data points measured during natural distributed combustion heating (without any electrical resistance heating) at various depths in the coal after the temperature profile had stabilized. As can be seen in FIG. 130, the natural distributed combustion heating provided a temperature profile that is comparable to the electrical resistance temperature profile. This experiment demonstrated that natural distributed combustors can provide formation heating that is comparable to the formation heating provided by electrical resistance heaters. This experiment was repeated at different temperatures, and in two other wells, all with similar results.

Numerical calculations have been made for a natural distributed combustor system configured to heat a hydrocarbon containing formation. A commercially available program called PRO-II was used to make example calculations based on a conduit of diameter 6.03 cm with a wall thickness of 0.39 cm. The conduit was disposed in an opening in the formation with a diameter of 14.4 cm. The conduit had critical flow orifices of 1.27 mm diameter spaced 183 cm apart. The conduit was configured to heat a formation of 91.4 meters thick. A flow rate of air was 1.70 standard cubic meters per minute through the critical flow orifices. A pressure of air at the inlet of the conduit was 7 bars absolute. Exhaust gases had a pressure of 3.3 bars absolute. A heating output of 1066 watts per meter was used. A temperature in the opening was set at 760 °C. The calculations determined a minimal pressure drop within the conduit of about 0.023 bar. The pressure drop within the opening was less than 0.0013 bar.

FIG. 82 illustrates extension (in meters) of a reaction zone within a coal formation over time (in years) according to the parameters set in the calculations. The width of the reaction zone increases with time as the carbon was oxidized proximate to the center.

Numerical calculations have been made for heat transfer using a conductor-in-conduit heater. Calculations were made for a conductor having a diameter of about 1 inch (2.54 cm) disposed in a conduit having a diameter of about 3 inches (7.62 cm). The conductor-in-conduit heater was disposed in an opening of a carbon containing formation having a diameter of about 6 inches (15.24 cm). An emissivity of the carbon containing formation was maintained at a value of 0.9, which is expected for geological materials. The conductor and the conduit were given alternate emissivity values of high emissivity (0.86), which is common for oxidized metal surfaces, and low emissivity (0.1), which is for polished and/or un-oxidized metal surfaces. The conduit was filled with either air or helium. Helium is known to be a more thermally conductive gas than air. The space between the conduit and the opening was filled with a gas mixture of methane, carbon dioxide, and hydrogen gases. Two different gas mixtures were used. The first gas mixture had mole fractions of 0.5 for methane, 0.3 for carbon dioxide, and 0.2 for hydrogen. The second gas mixture had mole fractions of 0.2 for methane, 0.2 for carbon dioxide, and 0.6 for hydrogen.

FIG. 83 illustrates a calculated ratio of conductive heat transfer to radiative heat transfer versus a temperature of a face of the hydrocarbon containing formation in the opening for an air filled conduit. The temperature of the conduit was increased linearly from 93 °C to 871 °C. The ratio of conductive to radiative heat transfer was calculated based on emissivity values, thermal conductivities, dimensions of the conductor, conduit, and opening, and the temperature of the conduit. Line 3204 is calculated for the low emissivity value (0.1). Line 3206 is calculated for the high emissivity value (0.86). A lower emissivity for the conductor and the conduit provides for a higher ratio of conductive to radiative heat transfer to the formation. The decrease in the ratio with an increase in temperature may be due to a reduction of conductive heat transfer with increasing temperature. As the temperature on the face of the formation increases, a temperature difference between the face and the heater is reduced, thus reducing a temperature gradient that drives conductive heat transfer.

FIG. 84 illustrates a calculated ratio of conductive heat transfer to radiative heat transfer versus a temperature at a face of the hydrocarbon containing formation in the opening for a helium filled conduit. The temperature of the conduit was increased linearly from 93 °C to 871 °C. The ratio of conductive to radiative heat transfer was calculated based on emissivity values; thermal conductivities; dimensions of the conductor, conduit, and opening; and the temperature of the conduit. Line 3208 is calculated for the low emissivity value (0.1). Line 3210 is calculated for the high emissivity value (0.86). A lower emissivity for the conductor and the conduit again provides for a higher ratio of conductive to radiative heat transfer to the formation. The use of helium instead of air in the conduit significantly increases the ratio of conductive heat transfer to radiative heat transfer. This may be due to a thermal conductivity of helium being about 5.2 to about 5.3 times greater than a thermal conductivity of air.

FIG. 85 illustrates temperatures of the conductor, the conduit, and the opening versus a temperature at a face of the hydrocarbon containing formation for a helium filled conduit and a high emissivity of 0.86. The opening has a gas mixture equivalent to the second mixture described above having a hydrogen mole fraction of 0.6. Opening temperature 3216 was linearly increased from 93 °C to 871 °C. Opening temperature 3216 was assumed to be the same as the temperature at the face of the hydrocarbon containing formation. Conductor temperature 3212 and conduit temperature 3214 were calculated from opening temperature 3216 using the

5 dimensions of the conductor, conduit, and opening, values of emissivities for the conductor, conduit, and face, and thermal conductivities for gases (helium, methane, carbon dioxide, and hydrogen). It may be seen from the plots of temperatures of the conductor, conduit, and opening for the conduit filled with helium, that at higher temperatures approaching 871 °C, the temperatures of the conductor, conduit, and opening begin to substantially equilibrate.

10 FIG. 86 illustrates temperatures of the conductor, the conduit, and the opening versus a temperature at a face of the hydrocarbon containing formation for an air filled conduit and a high emissivity of 0.86. The opening has a gas mixture equivalent to the second mixture described above having a hydrogen mole fraction of 0.6. Opening temperature 3216 was linearly increased from 93 °C to 871 °C. Opening temperature 3216 was assumed to be the same as the temperature at the face of the hydrocarbon containing formation. Conductor temperature 3212 and conduit temperature 3214 were calculated from opening temperature 3216 using the dimensions of the conductor, conduit, and opening, values of emissivities for the conductor, conduit, and face, and thermal conductivities for gases (air, methane, carbon dioxide, and hydrogen). It may be seen from the plots of temperatures of the conductor, conduit, and opening for the conduit filled with air, that at higher temperatures approaching 871 °C, the temperatures of the conductor, conduit, and opening begin to substantially equilibrate, as seen for the helium filled conduit with high emissivity.

15 FIG. 87 illustrates temperatures of the conductor, the conduit, and the opening versus a temperature at a face of the hydrocarbon containing formation for a helium filled conduit and a low emissivity of 0.1. The opening has a gas mixture equivalent to the second mixture described above having a hydrogen mole fraction of 0.6. Opening temperature 3216 was linearly increased from 93 °C to 871 °C. Opening temperature 3216 was assumed to be the same as the temperature at the face of the hydrocarbon containing formation. Conductor temperature 3212 and conduit temperature 3214 were calculated from opening temperature 3216 using the dimensions of the conductor, conduit, and opening, values of emissivities for the conductor, conduit, and face, and thermal conductivities for gases (helium, methane, carbon dioxide, and hydrogen). It may be seen from the plots of temperatures of the conductor, conduit, and opening for the conduit filled with helium, that at higher temperatures approaching 871 °C, the temperatures of the conductor, conduit, and opening do not begin to substantially equilibrate as seen for the high emissivity example shown in FIG. 85. Also, higher temperatures in the conductor and the conduit are needed for an opening and face temperature of 871°C than as for the example shown in FIG. 85. Thus, increasing an emissivity of the conductor and the conduit may be advantageous in reducing operating temperatures needed to produce a desired temperature in a hydrocarbon containing formation. Such reduced operating temperatures may allow for the use of less expensive alloys for metallic conduits.

20 FIG. 88 illustrates temperatures of the conductor, the conduit, and the opening versus a temperature at a face of the hydrocarbon containing formation for an air filled conduit and a low emissivity of 0.1. The opening has a gas mixture equivalent to the second mixture described above having a hydrogen mole fraction of 0.6. Opening temperature 3216 was linearly increased from 93 °C to 871 °C. Opening temperature 3216 was assumed to be the same as the temperature at the face of the hydrocarbon containing formation. Conductor temperature 3212 and conduit temperature 3214 were calculated from opening temperature 3216 using the dimensions of the conductor, conduit, and opening, values of emissivities for the conductor, conduit, and face, and thermal conductivities for gases (air, methane, carbon dioxide, and hydrogen). It may be seen from the plots of temperatures of the conductor, conduit, and opening for the conduit filled with helium, that at higher temperatures approaching 871 °C, the temperatures of the conductor, conduit, and opening do not begin to substantially

WO 01/81239

PCT/US01/13452

equilibrate as seen for the high emissivity example shown in FIG. 86. Also, higher temperatures in the conductor and the conduit are needed for an opening and face temperature of 871°C than as for the example shown in FIG. 86. Thus, increasing an emissivity of the conductor and the conduit may be advantageous in reducing operating temperatures needed to produce a desired temperature in a hydrocarbon containing formation. Such reduced operating temperatures may provide for a lesser metallurgical cost associated with materials that require less substantial temperature resistance (e.g., a lower melting point).

Calculations were also made using the first mixture of gas having a hydrogen mole fraction of 0.2. The calculations resulted in substantially similar results to those for a hydrogen mole fraction of 0.6.

FIG. 89 depicts a retort and collection system used to conduct certain experiments. Retort vessel 3314 was a pressure vessel of 316 stainless steel configured to hold a material to be tested. The vessel and appropriate flow lines were wrapped with a 0.0254 meters by 1.83 meters electric heating tape. The wrapping was configured to provide substantially uniform heating throughout the retort system. The temperature was controlled by measuring a temperature of the retort vessel with a thermocouple and altering the temperature of the vessel with a proportional controller. The heating tape was further wrapped with insulation as shown. The vessel sat on a 0.0508 meters thick insulating block heated only from the sides. The heating tape extended past the bottom of the stainless steel vessel to counteract heat loss from the bottom of the vessel.

A 0.00318 m stainless steel dip tube 3312 was inserted through mesh screen 3310 and into the small dimple on the bottom of vessel 3314. Dip tube 3312 was slotted at the bottom so that solids could not plug the tube and prevent removal of the products. Screen 3310 was supported along the cylindrical wall of the vessel by a small ring having a thickness of about 0.00159 m. Therefore, the small ring provides a space between an end of dip tube 3312 and a bottom of vessel 3314 which also inhibited solids from plugging the dip tube. A thermocouple was attached to the outside of the vessel to measure a temperature of the steel cylinder. The thermocouple was protected from direct heat of the heater by a layer of insulation. An air-operated diaphragm-type backpressure valve 3304 was provided for tests at elevated pressures. The products at atmospheric pressure pass into conventional glass laboratory condenser 3320. Coolant disposed in the condenser 3320 was chilled water having a temperature of about 1.7 °C. The oil vapor and steam products condensed in the flow lines of the condenser and flowed into the graduated glass collection tube. A volume of produced oil and water was measured visually. Non-condensable gas flowed from condenser 3320 through gas bulb 3316. Gas bulb 3316 has a capacity of 500 cm³. In addition, gas bulb 3316 was originally filled with helium. The valves on the bulb were two-way valves 3317 to provide easy purging of bulb 3316 and removal of non-condensable gases for analysis. Considering a sweep efficiency of the bulb, the bulb would be expected to contain a composite sample of the previously produced 1 to 2 liters of gas. Standard gas analysis methods were used to determine the gas composition. The gas exiting the bulb passed into collection vessel 3318 that is in water 3322 in water bath 3324. The water bath 3324 was graduated to provide an estimate of the volume of the produced gas over a time of the procedure (the water level changed, thereby indicating the amount of gas produced). The collection vessel 3318 also included an inlet valve at a bottom of the collection system under water and a septum at a top of the collection system for transfer of gas samples to an analyzer.

At location 3300 one or more gases may be injected into the system shown in FIG. 89 to pressurize, maintain pressure, or sweep fluids in the system. Pressure gauge 3302 may be used to monitor pressure in the system. Heating/insulating material 3306 (e.g., insulation or a temperature control bath) may be used to regulate and/or maintain temperatures. Controller 3308 may be used to control heating of vessel 3314.

WO 01/81239

PCT/US01/13452

A final volume of gas produced is not the volume of gas collected over water because carbon dioxide and hydrogen sulfide are soluble in water. Analysis of the water has shown that the gas collection system over water removes about one-half of the carbon dioxide produced in a typical experiment. The concentration of carbon dioxide in water affects a concentration of the non-soluble gases collected over water. In addition, the volume of gas collected over water was found to vary from about one-half to two-thirds of the volume of gas produced.

The system was purged with about 5 to 10 pore volumes of helium to remove all air and pressurized to about 20 bars absolute for 24 hours to check for pressure leaks. Heating was then started slowly, taking about 4 days to reach 260°C. After about 8 to 12 hours at 260°C, the temperature was raised as specified by the schedule desired for the particular test. Readings of temperature on the inside and outside of the vessel were recorded frequently to assure that the controller was working correctly.

In one experiment oil shale was tested in the system shown in FIG. 89. In this experiment, 270 °C was about the lowest temperature at which oil was generated at any appreciable rate. Thus, readings of oil can begin at any time in this range. For water, production started at about 100 °C and was monitored at all times during the run. For gas, various amounts were generated during the course of production. Therefore, monitoring was needed throughout the run.

The oil and water production was collected in 4 or 5 fractions throughout the run. These fractions were composite samples over a particular time interval involved. The cumulative volume of oil and water in each fraction was measured as it accrued. After each fraction was collected, the oil was analyzed as desired. The density of the oil was measured.

After the test, the retort was cooled, opened, and inspected for evidence of any liquid residue. A representative sample of the crushed shale loaded into the retort was taken and analyzed for oil generating potential by the Fischer Assay method. After the test, three samples of spent shale in the retort were taken: one near the top, one at the middle, and one near the bottom. These were tested for remaining organic matter and elemental analysis.

Experimental data from the experiment described above was used to determine a pressure-temperature relationship relating to the quality of the produced fluids. Varying the operating conditions included altering temperatures and pressures. Various samples of oil shale were pyrolyzed at various operating conditions. The quality of the produced fluids was described by a number of desired properties. Desired properties included API gravity, an ethene to ethane ratio, an atomic carbon to atomic hydrogen ratio, equivalent liquids produced (gas and liquid), liquids produced, percent of Fischer Assay, and percent of fluids with carbon numbers greater than about 25. Based on data collected these equilibrium experiments, families of curves for several values of each of the properties were constructed as shown in FIGS. 90-96. From these figures, the following relationships were used to describe the functional relationship of a given value of a property:

$$P = \exp[(A/T) + B],$$

$$A = a_1 * (\text{property})^3 + a_2 * (\text{property})^2 + a_3 * (\text{property}) + a_4$$

$$B = b_1 * (\text{property})^3 + b_2 * (\text{property})^2 + b_3 * (\text{property}) + b_4$$

The generated curves may be used to determine a preferred temperature and a preferred pressure that may produce fluids with desired properties. Data illustrating the pressure-temperature relationship of a number of the desired properties for Green River oil shale was plotted in a number of the following figures.

In FIG. 90, a plot of gauge pressure versus temperature is depicted (in FIGS. 90-96 the pressure is indicated in bars). Lines representing the fraction of products with carbon numbers greater than about 25 were

WO 01/81239

PCT/US01/13452

plotted. For example, when operating at a temperature of 375 °C and a pressure of 2.7 bars absolute, 15 % of the produced fluid hydrocarbons had a carbon number equal to or greater than 25. At low pyrolysis temperatures and high pressures, the fraction of produced fluids with carbon numbers greater than about 25 decreases. Therefore, operating at a high pressure and a pyrolysis temperature at the lower end of the pyrolysis temperature zone tends to decrease the fraction of fluids with carbon numbers greater than 25 produced from oil shale.

FIG. 91 illustrates oil quality produced from an oil shale containing formation as a function of pressure and temperature. Lines indicating different oil qualities, as defined by API gravity, are plotted. For example, the quality of the produced oil was 45° API when pressure was maintained at about 6 bars absolute and a temperature was about 375 °C. As described in above embodiments, low pyrolysis temperatures and relatively high pressures may produce a high API gravity oil.

FIG. 92 illustrates an ethene to ethane ratio produced from an oil shale containing formation as a function of pressure and temperature. For example, at a pressure of 11.2 bars absolute and a temperature of 375 °C, the ratio of ethene to ethane is approximately 0.01. The volume ratio of ethene to ethane may predict an olefin to alkane ratio of hydrocarbons produced during pyrolysis. To control olefin content, operating at lower pyrolysis temperatures and a higher pressure may be beneficial. Olefin content in above described embodiments may be reduced by operating at low pyrolysis temperature and a high pressure.

FIG. 93 depicts the dependence of yield of equivalent liquids produced from an oil shale containing formation as a function of temperature and pressure. Line 3340 represents the pressure-temperature combination at which $8.38 \times 10^{-5} \text{ m}^3$ of fluid per kilogram of oil shale (20 gallons/ton). The pressure/temperature plot results in a line 3342 for the production of total fluids per ton of oil shale equal to $1.05 \times 10^{-5} \text{ m}^3/\text{kg}$ (25 gallons/ton). Line 3344 illustrates that $1.21 \times 10^{-4} \text{ m}^3$ of fluid is produced from 1 kilogram of oil shale (30 gallons/ton). For example, at a temperature of about 325 °C and a pressure of about 8 bars absolute the resulting equivalent liquids was $8.38 \times 10^{-5} \text{ m}^3/\text{kg}$. As temperature of the retort increased and the pressure decreased the yield of the equivalent liquids produced increased. Equivalent liquids produced was defined as the amount of liquid equivalent to the energy value of the produced gas and liquids.

FIG. 94 illustrates a plot of oil yield produced from treating an oil shale containing formation, measured as volume of liquids per ton of the formation, as a function of temperature and pressure of the retort. Temperature is illustrated in units of Celsius on the x-axis, and pressure is illustrated in units of bars absolute on the y-axis. As shown in FIG. 94, the yield of liquid/condensable products increases as temperature of the retort increases and pressure of the retort decreases. The lines on FIG. 94 correspond to different liquid production rates measured as the volume of liquids produced per weight of oil shale and are shown in Table 3.

TABLE 3

LINE	VOLUME PRODUCED/ MASS OF OIL SHALE (m^3/kg)
3350	5.84×10^{-5}
3352	6.68×10^{-5}
3354	7.51×10^{-5}
3356	8.35×10^{-5}

FIG. 95 illustrates yield of oil produced from treating an oil shale containing formation expressed as a percent of Fischer assay as a function of temperature and pressure. Temperature is illustrated in units of degrees Celsius on the x-axis, and gauge pressure is illustrated in units of bars on the y-axis. Fischer assay was used as a

method for assessing a recovery of hydrocarbon condensate from the oil shale. In this case, a maximum recovery would be 100% of the Fischer assay. As the temperature decreased and the pressure increased, the percent of Fischer assay yield decreased.

FIG. 96 illustrates hydrogen to carbon ratio of hydrocarbon condensate produced from an oil shale containing formation as a function of a temperature and pressure. Temperature is illustrated in units of degrees Celsius on the x-axis, and pressure is illustrated in units of bars on the y-axis. As shown in FIG. 96, a hydrogen to carbon ratio of hydrocarbon condensate produced from an oil shale containing formation decreases as a temperature increases and as a pressure decreases. As described in more detail with respect to other embodiments herein, treating an oil shale containing formation at high temperatures may decrease a hydrogen concentration of the produced hydrocarbon condensate.

FIG. 97 illustrates the effect of pressure and temperature within an oil shale containing formation on a ratio of olefins to paraffins. The relationship of the value of one of the properties (R) with temperature has the same functional form as the pressure-temperature relationships previously discussed. In this case the property (R) can be explicitly expressed as a function of pressure and temperature.

$$R = \exp[F(P)/T] + G(P)$$

$$F(p) = f_1*(P)^3 + f_2*(P)^2 + f_3*(P) + f_4$$

$$G(p) = g_1*(P)^3 + g_2*(P)^2 + g_3*(P) + g_4$$

wherein R a value of the property, T is the absolute temperature (in degrees Kelvin), $F(P)$ and $G(P)$ are functions of pressure representing the slope and intercept of a plot of R versus $1/T$.

FIG. 97 is an example of such a plot for olefin to paraffin ratio. Data from the above experiments were compared to data from other sources. Isobars were plotted on a temperature versus olefin to paraffin ratio graph using data from a variety of sources. Data from the above described experiments included an isobar at 1 bar absolute 3360, 2.5 bars absolute 3362, 4.5 bars absolute 3364, 7.9 bars absolute 3366, and 14.8 bars absolute 3368. Additional data plotted included data from a surface retort, data from Ljungstrom 3361, and data from ex situ oil shale studies conducted by Lawrence Livermore Laboratories 3363. As illustrated in FIG. 97, the olefin to paraffin ratio appears to increase as the pyrolysis temperature increases. However, for a fixed temperature, the ratio decreases rapidly with an increase in pressure. Higher pressures and lower temperatures appear to favor the lowest olefin to paraffin ratios. At a temperature of about 325 °C and a pressure of about 4.5 bars absolute 3366, a ratio of olefins to paraffins was approximately 0.01. Pyrolyzing at reduced temperature and increased pressure may decrease an olefin to paraffin ratio. Pyrolyzing hydrocarbons for a longer period of time, which may be accomplished by increasing pressure within the system, tends to result in a lower average molecular weight oil. In addition, production of gas may increase and a non-volatile coke may be formed.

FIG. 98 illustrates a relationship between an API gravity of a hydrocarbon condensate fluid, the partial pressure of molecular hydrogen within the fluid, and a temperature within an oil shale containing formation. As illustrated in FIG. 98, as a partial pressure of hydrogen within the fluid increased, the API gravity generally increased. In addition, lower pyrolysis temperatures appear to have increased the API gravity of the produced fluids. Maintaining a partial pressure of molecular hydrogen within a heated portion of a hydrocarbon containing formation may increase the API gravity of the produced fluids.

In FIG. 99, a quantity of oil liquids produced in m^3 of liquids per kg of oil shale containing formation is plotted versus a partial pressure of H_2 . Also illustrated in FIG. 99 are various curves for pyrolysis occurring at different temperatures. At higher pyrolysis temperatures production of oil liquids was higher than at the lower

WO 01/81239

PCT/US01/13452

pyrolysis temperatures. In addition, high pressures tended to decrease the quantity of oil liquids produced from an oil shale containing formation. Operating an in situ conversion process at low pressures and high temperatures may produce a higher quantity of oil liquids than operating at low temperatures and high pressures.

As illustrated in FIG. 100, an ethene to ethane ratio in the produced gas increased with increasing temperature. In addition, application of pressure decreased the ethene to ethane ratio significantly. As illustrated in FIG. 100, lower temperatures and higher pressures decreased the ethene to ethane ratio. The ethene to ethane ratio is indicative of the olefin to paraffin ratio in the condensed hydrocarbons.

FIG. 101 illustrates an atomic hydrogen to atomic carbon ratio in the hydrocarbon liquids. In general, lower temperatures and higher pressures increased the atomic hydrogen to atomic carbon ratio of the produced hydrocarbon liquids.

A small-scale field experiment of the in-situ process in oil shale was conducted. An objective of this test was to substantiate laboratory experiments that produced high quality crude utilizing the in-situ retort process.

As illustrated in FIG. 104, the field experiment consisted of a single unconfined hexagonal seven spot pattern on eight foot spacing. Six heat injection wells 3600 drilled to a depth of 40 m contained 17 m long heating elements that injected thermal energy into the formation from 21 m to 39 m. A single producer well 3602 in the center of the pattern captured the liquids and vapors from the in-situ retort. Three observation wells 3603 inside the pattern and one outside the pattern recorded formation temperatures and pressures. Six dewatering wells 3604 surrounded the pattern on 6 m spacing and were completed in an active aquifer below the heated interval (from 44 m to 61 m). FIG. 105 is a cross-sectional view of the field experiment. A producer well 3602 includes pump 3614. The lower portion of producer well 3602 was packed with gravel. The upper portion of producer well 3602 was cemented. Heater well 3600 was located a distance of approximately 2.4 meters from producer well 3602. A heating element was located within the heater well and the heater well was cemented in place. Dewatering wells 3604 were located approximately 4.0 meters from heater wells 3600.

Produced oil, gas and water were sampled and analyzed throughout the life of the experiment. Surface and subsurface pressures and temperatures and energy injection data were captured electronically and saved for future evaluation. The composite oil produced from the test had a 36 ° API gravity with a low olefin content of 1.1 % by weight and a paraffin content of 66 % by weight. The composite oil also included a sulfur content of 0.4 % by weight. This condensate-like crude confirmed the quality predicted from the laboratory experiments. The composition of the gas changed throughout the test. The gas was high in hydrogen (average approximately 25 mol %) and CO₂ (average approximately 15 mol %) as expected.

Evaluation of the post heat core indicates that the mahogany zone was thoroughly retorted except for the top and bottom 1 m to 1.2 m. Oil recovery efficiency was shown to be in the 75 % to 80 % range. Some retorting also occurred at least two feet outside of the pattern. During the ICP experiment, the formation pressures were monitored with pressure monitoring wells. The pressure increased to a highest pressure at 9.4 bars absolute and then slowly declined. The high oil quality was produced at the highest pressure and temperatures below 350 °C. The pressure was allowed to decrease to atmospheric as temperatures increased above 370 °C. As predicted, the oil composition under these conditions was shown to be of lower API gravity, higher molecular weight, greater carbon numbers in carbon number distribution, higher olefin content, and higher sulfur and nitrogen contents.

FIG. 106 illustrates a plot of the maximum temperatures within each of the three inner-most observation wells 3603 (see FIG. 104) versus time. The temperature profiles were very similar for the three observation wells.

WO 01/81239

PCT/US01/13452

Heat was provided to the oil shale containing formation for 216 days. As illustrated in FIG. 106, the temperature at the observer wells increased steadily until the heat was turned off.

FIG. 175 illustrates a plot of hydrocarbon liquids production, in barrels per day, for the same in situ experiment. In this figure the line marked as "Separator Oil" indicates the hydrocarbon liquids that were produced after the produced fluids were cooled to ambient conditions and separated. In this figure the line marked as "Oil & C₅+ Gas Liquids" includes the hydrocarbon liquids produced after the produced fluids were cooled to ambient conditions and separated and, in addition, the assessed C₅ and heavier compounds that were flared. The total liquid hydrocarbons produced to a stock tank during the experiment was 194 barrels. The total equivalent liquid hydrocarbons produced (including the C₅ and heavier compounds) was 250 barrels. As indicated in FIG. 175 the heat was turned off at day 216, however some hydrocarbons continued to be produced thereafter.

FIG. 176 illustrates a plot of production of hydrocarbon liquids (in barrels per day), gas (in MCF per day), and water (in barrels per day), versus heat energy injected (in mega Watt-hours), during the same in situ experiment. As shown in FIG. 176 the heat was turned off after about 440 megawatt-hours of energy had been injected.

As illustrated in FIG. 107, pressure within the oil shale containing material showed some variations initially at different depths, however over time these variations equalized. FIG. 107 depicts the gauge fluid pressure in the observation well 3603 versus time measured in days at a radial distance of 2.1 m from the production well 3602. The fluid pressures were monitored at depths of 24 m and 33 m. These depths corresponded to a richness within the oil shale containing material of $8.3 \times 10^{-5} \text{ m}^3$ of oil / kg of oil shale at 24 m and $1.7 \times 10^{-4} \text{ m}^3$ of oil / kg of oil shale at 33 m. The higher pressures initially observed at 33 m may be the result of a higher generation of fluids due to the richness of the oil shale containing material at that depth. In addition, at lower depths a lithostatic pressure may be higher, causing the oil shale containing material at 33 m to fracture at higher pressure than at 24 m. During the course of the experiment, pressures within the oil shale containing formation equalized. The equalization of the pressure may have resulted from fractures forming within the oil shale containing formation.

FIG. 108 is a plot of API gravity versus time measured in days. As illustrated in FIG. 108, the API gravity was relatively high (i.e., hovering around 40° until about 140 days). The API gravity, although it still varied, decreased steadily thereafter. Prior to 110 days the pressure measured at shallower depths was increasing, and after 110 days it began to decrease significantly. At about 140 days the pressure at the deeper depths began to decrease. At about 140 days the temperature as measured at the observation wells increased above about 370 °C.

In FIG. 109 average carbon numbers of the produced fluid are plotted versus time measured in days. At approximately 140 days, the average carbon number of the produced fluids increased. This approximately corresponded to the temperature rise and the drop in pressure illustrated in FIG. 106 and FIG. 107, respectively. In addition, as demonstrated in FIG. 110 the density of the produced hydrocarbon liquids, in grams per cc, increased at approximately 140 days. The quality of the produced hydrocarbon liquids as demonstrated in FIG. 108, FIG. 109, and FIG. 110 decreased as the temperature increased and the pressure decreased.

FIG. 111 depicts a plot of the weight percent of specific carbon numbers of hydrocarbons within the produced hydrocarbon liquids. The various curves represent different times at which the liquids were produced. The carbon number distribution of the produced hydrocarbon liquids for the first 136 days exhibited a relatively narrow carbon number distribution, with a low weight percent of carbon numbers above 16. The carbon number

WO 01/81239

PCT/US01/13452

distribution of the produced hydrocarbon liquids becomes progressively broader as time progresses after 136 days (e.g., from 199 days to 206 days to 231 days). As the temperature continued to increase, and the pressure had decreased towards one atmosphere absolute, the product quality steadily deteriorated.

FIG. 112 illustrates a plot of the weight percent of specific carbon numbers of hydrocarbons within the produced hydrocarbon liquids. Curve 3620 represents the carbon distribution for the composite mixture of hydrocarbon liquids over the entire in situ conversion process ("ICP") field experiment. For comparison, a plot of the carbon number distribution for hydrocarbon liquids produced from a surface retort of the same Green River oil shale is also depicted as curve 3622. In the surface retort, oil shale was mined, placed in a vessel, rapidly heated at atmospheric pressure to a high temperature in excess of 500 °C. As illustrated in FIG. 112, a carbon number distribution of the majority of the hydrocarbon liquids produced from the ICP field experiment was within a range of 8 to 15. The peak carbon number from production of oil during the ICP field experiment was about 13. In contrast, the surface retort 3622 has a relatively flat carbon number distribution with a substantial amount of carbon numbers greater than 25.

During the ICP experiment, the formation pressures were monitored with pressure monitoring wells. The pressure increased to a highest pressure at 9.3 bars absolute and then slowly declined. The high oil quality was produced at the highest pressures and temperatures below 350 °C. The pressure was allowed to decrease to atmospheric as temperatures increased above 370 °C. As predicted, the oil composition under these conditions was shown to be of lower API gravity, higher molecular weight, greater carbon numbers in carbon number distribution, higher olefin content, and higher sulfur and nitrogen contents.

Experimental data from studies conducted by Lawrence Livermore National Laboratories (LLNL) was plotted along with laboratory data from the in situ conversion process (ICP) for an oil shale containing formation at atmospheric pressure in FIG. 113. The oil recovery as a percent of Fischer assay was plotted against a log of the heating rate. Data from LLNL 3642 included data derived from pyrolyzing powdered oil shale at atmospheric pressure and in a range from about 2 bars absolute to about 2.5 bars absolute. As illustrated in FIG. 113, the data from LLNL 3642 has a linear trend. Data from the ICP 3640 demonstrates that oil recovery, as measured by Fischer assay, was much higher for ICP than the data from LLNL would suggest 3642. FIG. 113 demonstrates that oil recovery from oil shale increases along an S-curve.

Results from the oil shale field experiment (e.g., measured pressures, temperatures, produced fluid quantities and compositions, etc.) were inputted into a numerical simulation model in order to attempt to assess formation fluid transport mechanisms. FIG. 114 shows the results from the computer simulation. In FIG. 114, oil production 3670 in stock tank barrels/day was plotted versus time. Area 3674 represents the liquid hydrocarbons in the formation at reservoir conditions that were measured in the field experiment. FIG. 114 indicates that more than 90 % of the hydrocarbons in the formation were vapors. Based on these results, and the fact that the wells in the field test produced mostly vapors (until such vapors were cooled, at which point hydrocarbon liquids were produced), it is believed that hydrocarbons in the formation move through the formation as vapors when heated as is described above for the oil shale field experiment.

A series of experiments was conducted to determine the effects of various properties of hydrocarbon containing formations on properties of fluids produced from coal containing formations. The fluids may be produced according to any of the embodiments as described herein. The series of experiments included organic petrography, proximate/ultimate analyses, Rock-Eval pyrolysis, Leco Total Organic Carbon ("TOC"), Fischer Assay, and pyrolysis-gas chromatography. Such a combination of petrographic and chemical techniques may

WO 01/81239

PCT/US01/13452

provide a quick and inexpensive method for determining physical and chemical properties of coal and for providing a comprehensive understanding of the effect of geochemical parameters on potential oil and gas production from coal pyrolysis. The series of experiments were conducted on forty-five cubes of coal to determine source rock properties of each coal and to assess potential oil and gas production from each coal.

5 Organic petrology is the study, mostly under the microscope, of the organic constituents of coal and other rocks. The petrography of coal is important since it affects the physical and chemical nature of the coal. The ultimate analysis refers to a series of defined methods that are used to determine the carbon, hydrogen, sulfur, nitrogen, ash, oxygen, and the heating value of a coal. Proximate analysis is the measurement of the moisture, ash, volatile matter, and fixed carbon content of a coal.

10 Rock-Eval pyrolysis is a petroleum exploration tool developed to assess the generative potential and thermal maturity of prospective source rocks. A ground sample may be pyrolyzed in a helium atmosphere. For example, the sample may be initially heated and held at a temperature of 300 °C for 5 minutes. The sample may be further heated at a rate of 25 °C/min to a final temperature of 600 °C. The final temperature may be maintained for 1 minute. The products of pyrolysis may be oxidized in a separate chamber at 580 °C to
15 determined the total organic carbon content. All components generated may be split into two streams passing through a flame ionization detector, which measures hydrocarbons, and a thermal conductivity detector, which measures CO₂.

Leco Total Organic Carbon ("TOC") involves combustion of coal. For example, a small sample (about 1 gram) is heated to 1500° C in a high-frequency electrical field under an oxygen atmosphere. Conversion of carbon
20 to carbon dioxide is measured volumetrically. Pyrolysis-gas chromatography may be used for quantitative and qualitative analysis of pyrolysis gas.

Coal of different ranks and vitrinite reflectances were treated in a laboratory to simulate an in situ conversion process. The different coal samples were heated at a rate of about 2 °C/day and at a pressure of 1 bar or 4.4 bars absolute. FIG. 115 shows weight percents of paraffins plotted against vitrinite reflectance. As shown
25 in FIG. 115, weight percent of paraffins in the produced oil increases at vitrinite reflectances of the coal below about 0.9 %. In addition, a weight percent of paraffins in the produced oil approaches a maximum at a vitrinite reflectance of about 0.9 %. FIG. 116 depicts weight percentages of cycloalkanes in the produced oil plotted versus vitrinite reflectance. As shown in FIG. 116, a weight percent of cycloalkanes in the oil produced increased as vitrinite reflectance increased. Weight percentages of a sum of paraffins and cycloalkanes is plotted versus
30 vitrinite reflectance in FIG. 117. In some embodiments, an in situ conversion process may be utilized to produce phenol. Phenol generation may increase when a fluid pressure within the formation is maintained at a lower pressure. Phenol weight percent in the produced oil is depicted in FIG. 118. A weight percent of phenol in the produced oil decreases as the vitrinite reflectance increases. FIG. 119 illustrates a weight percentage of aromatics in the hydrocarbon fluids plotted against vitrinite reflectance. As shown in FIG. 119, a weight percent of
35 aromatics in the produced oil decreases below a vitrinite reflectance of about 0.9%. A weight percent of aromatics in the produced oil increases above a vitrinite reflectance of about 0.9%. FIG. 120 depicts a ratio of paraffins to aromatics 3680 and a ratio of aliphatics to aromatics 3682 plotted versus vitrinite reflectance. Both ratios increase to a maximum at a vitrinite reflectance between about 0.7% and about 0.9%. Above a vitrinite reflectance of about 0.9%, both ratios decrease as vitrinite reflectance increases.

40 FIG. 134 depicts the condensable hydrocarbon compositions, and condensable hydrocarbon API gravities, that were produced when various ranks of coal were treated as is described above for FIGS. 115-120. In

FIG. 134, "SubC" means a rank of sub-bituminous C coal, "SubB" means a rank of sub-bituminous B coal, "SubA" refers to a rank of sub-bituminous A coal, "HVC" refers to a rank of high volatile bituminous C coal, "HVB/A" refers to a rank of high volatile bituminous coal at the border between B and A rank coal, "MV" refers to a rank medium volatile bituminous coal, and "Ro" refers to vitrinite reflectance. As can be seen in FIG. 134, certain ranks of coal will produce different compositions when treated in certain embodiments described herein. For instance, in many circumstances it may be desirable to treat coal having a rank of HVB/A because such coal, when treated, has the highest API gravity, the highest weight percent of paraffins, and the highest weight percent of the sum of paraffins and cycloalkanes.

Results were also displayed as a yield of products. FIG. 121-124 illustrate the yields of components in terms of m³ of product per kg of hydrocarbon containing formation, when measure on a dry, ash free basis. As illustrated in FIG. 121 the yield of paraffins increased as the vitrinite reflectance of the coal increased. However, for coals with a vitrinite reflectance greater than about 0.7 to 0.8% the yield of paraffins fell off dramatically. In addition, a yield of cycloalkanes followed similar trends as the paraffins, increasing as the vitrinite reflectance of coal increased and decreasing for coals with a vitrinite reflectance greater than about 0.7% or 0.8% as illustrated in FIG. 122. FIG. 123 illustrates the increase of both paraffins and cycloalkanes as the vitrinite reflectance of coal increases to about 0.7% or 0.8%. As illustrated in FIG. 124, the yield of phenols may be relatively low for coal containing material with a vitrinite reflectance of less than about 0.3% and greater than about 1.25%. Production of phenols may be desired due to the value of phenol as a feedstock for chemical synthesis.

As demonstrated in FIG. 125, the API gravity appears to increase significantly when the vitrinite reflectance is greater than about 0.4%. FIG. 126 illustrates the relationship between coal rank, (i.e., vitrinite reflectance), and a yield of condensable hydrocarbons (in gallons per ton on a dry ash free basis) from a coal containing formation. The yield in this experiment appears to be in an optimal range when the coal has a vitrinite reflectance greater than about 0.4% to less than about 1.3%.

FIG. 127 illustrates a plot of CO₂ yield of coal having various vitrinite reflectances. In FIGS. 127 and 128, CO₂ yield is set forth in weight percent on a dry ash free basis. As shown in FIG. 127, at least some CO₂ was released from all of the coal samples. Such CO₂ production may correspond to various oxygenated functional groups present in the initial coal samples. A yield of CO₂ produced from low-rank coal samples was significantly higher than a production from high-rank coal samples. Low-rank coals may include lignite and sub-bituminous brown coals. High-rank coals may include semi-anthracite and anthracite coal. FIG. 128 illustrates a plot of CO₂ yield from a portion of a coal containing formation versus the atomic O/C ratio within a portion of a coal containing formation. As O/C atomic ratio increases, a CO₂ yield increases.

A slow heating process may produce condensed hydrocarbon fluids having API gravities in a range of 22° to 50°, and average molecular weights of about 150 g/gmol to about 250 g/gmol. These properties may be compared to properties of condensed hydrocarbon fluids produced by ex situ retorting of coal as reported in Great Britain Published Patent Application No. GB 2,068,014 A, which is incorporated by reference as if fully set forth herein. For example, properties of condensed hydrocarbon fluids produced by an ex situ retort process include API gravities of 1.9° to 7.9° produced at temperatures of 521 °C and 427 °C, respectively.

Table 4 shows a comparison of gas compositions, in percent volume, obtained from in situ gasification of coal using air injection to heat the coal, in situ gasification of coal using oxygen injection to heat the coal, and in situ gasification of coal in a reducing atmosphere by thermal pyrolysis heating as described in embodiments herein.

TABLE 4

	Gasification With Air	Gasification With Oxygen	Thermal Heating	Pyrolysis
H ₂	18.6%	35.5%	16.7%	
Methane	3.6%	6.9%	61.9%	
Nitrogen and Argon	47.5%	0.0	0.0	
Carbon Monoxide	16.5%	31.5%	0.9%	
Carbon Dioxide	13.1%	25.0%	5.3%	
Ethane	0.6%	1.1%	15.2%	

As shown in Table 4, gas produced according to an embodiment described herein may be treated and sold through existing natural gas systems. In contrast, gas produced by typical in situ gasification processes may not be treated and sold through existing natural gas systems. For example, a heating value of the gas produced by gasification with air was 6000 KJ/m³, and a heating value of gas produced by gasification with oxygen was 11,439 KJ/m³. In contrast, a heating value of the gas produced by thermal conductive heating was 39,159 KJ/m³.

Experiments were conducted to determine the difference between treating relatively large solid blocks of coal versus treating relatively small loosely packed particles of coal.

As illustrated in FIG. 129, coal 3700 in the shape of a cube was heated to pyrolyze the coal. Heat was provided to cube 3700 from heat source 3704 inserted into the center of the cube and also from heat sources 3702 located on the sides of the cube. The cube was surrounded by insulation 3705. The temperature was raised simultaneously using heat sources 3704, 3702 at a rate of about 2 °C/day at atmospheric pressure. Measurements from temperature gauges 3706 were used to determine an average temperature of cube 3700. Pressure in cube 3700 was monitored with pressure gauge 3708. The fluids produced from the cube of coal were collected and routed through conduit 3709. Temperature of the product fluids was monitored with temperature gauge 3706 on conduit 3709. A pressure of the product fluids was monitored with pressure gauge 3708 on conduit 3709. A hydrocarbon condensate was separated from a non-condensable fluid in separator 3710. Pressure in separator 3710 was monitored with pressure gauge 3708. A portion of the non-condensable fluid was routed through conduit 3711 to gas analyzers 3712 for characterization. Grab samples were taken from a grab sample port 3714. Temperature of the non-condensable fluids was monitored with temperature gauge 3706 on conduit 3711. A pressure of the non-condensable fluids was monitored with pressure gauge 3708 on conduit 3711. The remaining gas was routed through a flow meter 3716, a carbon bed 3718, and vented to the atmosphere. The produced hydrocarbon condensate was collected and analyzed to determine the composition of the hydrocarbon condensate.

FIG. 102 illustrates a drum experimental apparatus. This apparatus was used to test coal. Electrical heater 3404 and bead heater 3402 were used to uniformly heat contents of drum 3400. Insulation 3405 surrounds drum 3400. Contents of drum 3400 were heated at a rate of about 2 °C/day at various pressures. Measurements from temperature gauges 3406 were used to determine an average temperature in drum 3400. Pressure in the drum was monitored with pressure gauge 3408. Product fluids were removed from drum 3400 through conduit 3409. Temperature of the product fluids was monitored with temperature gauge 3406 on conduit 3409. A pressure of the product fluids was monitored with pressure gauge 3408 on conduit 3409. Product fluids were separated in separator 3410. Separator 3410 separated product fluids into condensable and non-condensable products. Pressure in separator 3410 was monitored with pressure gauge 3408. Non-condensable product fluids

WO 01/81239

PCT/US01/13452

were removed through conduit 3411. A composition of a portion of non-condensable product fluids removed from separator 3410 was determined by gas analyzer 3412. A portion of condensable product fluids were removed from separator 3410. Compositions of the portion of condensable product fluids collected were determined by external analysis methods. Temperature of the non-condensable fluids was monitored with temperature gauge 3406 on conduit 3411. A pressure of the non-condensable fluids was monitored with pressure gauge 3408 on conduit 3411. Flow of non-condensable fluids from separator 3410 was determined by flow meter 3416. Fluids measured in flow meter 3416 were collected and neutralized in carbon bed 3418. Gas samples were collected in gas container 3414.

A large block of high volatile bituminous B Fruitland coal was separated into two portions. One portion (about 550 kg) was ground into small pieces and tested in a coal drum. The coal was ground to an approximate diameter of about 6.34×10^{-4} m. The results of such testing are depicted with the circles in FIGS. 131 and 133. One portion (a cube having sides measuring .3048 m) was tested in a coal cube experiment. The results of such testing are depicted with the squares in FIGS. 131 and 133.

FIG. 131 is a plot of gas phase compositions from experiments on a coal cube and a coal drum for H₂ 3724, methane 3726, ethane 3780, propane 3781, n-butane 3782, and other hydrocarbons 3783 as a function of temperature. As can be seen for FIG. 131, the non condensable fluids produced from pyrolysis of the cube and the drum had similar concentrations of the various hydrocarbons generated within the coal. In FIG. 131 these results were so similar that only one line was drawn for ethane 3780, propane 3781, n-butane 3782, and other hydrocarbons 3783 for both the cube and the drum results, and the two lines that were drawn for H₂ (3724a and 3724b) and the two lines drawn for methane (3726a and 3726b) were in both instances very close to each other. Crushing the coal did not have an apparent effect on the pyrolysis of the coal. The peak in methane production 3726 occurred at about 450 °C. At higher temperatures methane cracks to hydrogen, so the methane concentration decreases while the hydrogen content 3724 increases.

FIG. 132 illustrates a plot of cumulative production of gas as a function of temperature from heating coal in the cube and coal in the drum. Line 3790 represents gas production from coal in the drum and line 3791 represents gas production from coal in the cube. As demonstrated by FIG. 132, the production of gas in both experiments yielded similar results, even though the particle sizes were dramatically different between the two experiments.

FIG. 133 illustrates cumulative condensable hydrocarbons produced in the cube and drum experiments. Line 3720 represents cumulative condensable hydrocarbons production from the cube experiment, and line 3722 represents cumulative condensable hydrocarbons production from the drum experiment. As demonstrated by FIG. 133, the production of condensable hydrocarbons in both experiments yielded similar results, even though the particle sizes were dramatically different between the two experiments. Production of condensable hydrocarbons is substantially complete when the temperature reached about 390 °C. In both experiments the condensable hydrocarbons had an API gravity of about 37 degrees.

As shown in FIG. 131, methane started to be produced at temperature at or above about 270 °C. Since the experiments were conducted at atmospheric pressure, it is believed that the methane is produced from the pyrolysis, and not from mere desorption. Between about 270 °C and about 400 °C, condensable hydrocarbons, methane and H₂ were produced as shown in FIGS. 131, 132, and 133. FIG. 131 shows that above a temperature of about 400 °C methane and H₂ continue to be produced. Above about 450 °C, however, methane concentration decreased in the produced gases whereas the produced gases contained increased amounts of H₂. If heating was

WO 01/81239

PCT/US01/13452

continued, eventually all H₂ remaining in the coal would be depleted, and production of gas from the coal would cease. FIGS. 131-133 indicate that the ratio of a yield of gas to a yield of condensable hydrocarbons will increase as the temperature increases above about 390°C.

FIGS. 131-133 demonstrate that particle size did not substantially affect the quality of condensable hydrocarbons produced from the treated coal, the quantity of condensable hydrocarbons produced from the treated coal, the amount of gas produced from the treated coal, the composition of the gas produced from the treated coal, the time required to produce the condensable hydrocarbons and gas from the treated coal, or the temperatures required to produce the condensable hydrocarbons and gas from the treated coal. In essence a block of coal yielded substantially the same results from treatment as small particles of coal. As such, it is believed that scale-up issues when treating coal will not substantially affect treatment results.

An experiment was conducted to determine an effect of heating on thermal conductivity and thermal diffusivity of a portion of a coal containing formation. Thermal pulse tests performed in situ in a high volatile bituminous C coal at the field pilot site showed a thermal conductivity between 2.0×10^{-3} to 2.39×10^{-3} cal/cm sec °C (0.85 to 1.0 W/(m °K)) at 20 °C. Ranges in these values were due to different measurements between different wells. The thermal diffusivity was 4.8×10^{-3} cm²/s at 20 °C (the range was from about 4.1×10^{-3} to about 5.7×10^{-3} cm²/s at 20 °C). It is believed that these measured values for thermal conductivity and thermal diffusivity are substantially higher than would be expected based on literature sources (e.g., about three times higher in many instances).

An initial value for thermal conductivity from the in situ experiment is plotted versus temperature in FIG. 135 (this initial value is point 3743 in FIG. 135). Additional points for thermal conductivity (i.e., all of the other values for line 3742 shown in FIG. 135) were assessed by calculating thermal conductivities using temperature measurements in all of the wells shown in FIG. 137, total heat input from all heaters shown in FIG. 137, measured heat capacity and density for the coal being treated, gas and liquids production data (e.g., composition, quantity, etc.), etc. For comparison, these assessed thermal conductivity values (see line 3742) were plotted with data reported in two papers from S. Badzioch, et al. (1964) and R. E. Glass (1984) (see line 3740). As illustrated in FIG. 135, the assessed thermal conductivities from the in situ experiment were higher than reported values for thermal conductivities. The difference may be at least partially accounted for if it is assumed that the reported values do not take into consideration the confined nature of the coal in an in situ application. Because the reported values for thermal conductivity of coal are relatively low, they discourage the use of in situ heating for coal.

FIG. 135 illustrates a decrease in the assessed thermal conductivity values 3742 at about 100 °C. It is believed that this decrease in thermal conductivity was caused by water vaporizing in the cracks and void spaces (water vapor has a lower thermal conductivity than liquid water). At about 350 °C, the thermal conductivity began to increase, and it increased substantially as the temperature increased to 700 °C. It is believed that the increases in thermal conductivity were the result of molecular changes in the carbon structure. As the carbon was heated it became more graphitic, which is illustrated in Table 5 by an increased vitrinite reflectance after pyrolysis. As void spaces increased due to fluid production, heat was increasingly transferred by radiation and/or convection. In addition, concentrations of hydrogen in the void spaces were raised due to pyrolysis and generation of synthesis gas.

Three data points 3744 of thermal conductivities under high stress were derived from laboratory tests on the same high volatile bituminous C coal used for the in situ field pilot site (see FIG. 135). In the laboratory tests

WO 01/81239

PCT/US01/13452

a sample of such coal was stressed from all directions, and heated relatively quickly. These thermal conductivities were determined at higher stress (i.e., 27.6 bars absolute), as compared to the stress in the in situ field pilot (which were about 3 bars absolute). Thermal conductivity values 3744 demonstrate that the application of stress increased the thermal conductivity of the coal at temperatures of 150 °C, 250 °C, and 350 °C. It is believed that higher thermal conductivity values were obtained from stressed coal because the stress closed at least some cracks/void spaces and/or prevented new cracks/void spaces from forming.

Using the reported values for thermal conductivity and thermal diffusivity of coal and a 12 m heat source spacing on an equilateral triangle pattern, calculations show that a heating period of about ten years would be needed to raise an average temperature of coal to about 350 °C. Such a heating period may not be economically viable. Using experimental values for thermal conductivity and thermal diffusivity and the same 12 m heat source spacing, calculations show that the heating period to reach an average temperature of 350 °C would be about 3 years. The elimination of about 7 years of heating a formation will in many instances significantly improve the economic viability of an in situ conversion process for coal.

Molecular hydrogen has a relatively high thermal conductivity (e.g., the thermal conductivity of molecular hydrogen is about 6 times the thermal conductivity of nitrogen or air). Therefore it is believed that as the amount of hydrogen in the formation void spaces increases, the thermal conductivity of the formation will also increase. The increases in thermal conductivity due to the presence of hydrogen in the void spaces somewhat offsets decreases in thermal conductivity caused by the void spaces themselves. It is believed that increases in thermal conductivity due to the presence of hydrogen will be larger for coal formations as compared to other hydrocarbon containing formations since the amount of void spaces created during pyrolysis will be larger (coal has a higher hydrocarbon density, so pyrolysis creates more void spaces in coal).

Hydrocarbon fluids were produced from a portion of a coal containing formation by an in situ experiment conducted in a portion of a coal containing formation. The coal was high volatile bituminous C coal. It was heated with electrical heaters. FIG. 136 illustrates a cross-sectional view of the in situ experimental field test system. As shown in FIG. 136, the experimental field test system included at least coal containing formation 3802 within the ground and grout wall 3800. Coal containing formation 3802 dipped at an angle of approximately 36° with a thickness of approximately 4.9 meters. FIG. 137 illustrates a location of heat sources 3804a, 3804b, 3804c, production wells 3806a, 3806b, and temperature observation wells 3803a, 3808b, 3808c, 3808d used for the experimental field test system. - The three heat sources were disposed in a triangular configuration. Production well 3806a was located proximate a center of the heat source pattern and equidistant from each of the heat sources. A second production well 3806b was located outside the heat source pattern and spaced equidistant from the two closest heat sources. Grout wall 3800 was formed around the heat source pattern and the production wells. The grout wall may include pillars 1-24. Grout wall 3800 was configured to inhibit an influx of water into the portion during the in situ experiment. In addition, grout wall 3800 was configured to substantially inhibit loss of generated hydrocarbon fluids to an unheated portion of the formation.

Temperatures were measured at various times during the experiment at each of four temperature observation wells 3808a, 3808b, 3808c, 3808d located within and outside of the heat source pattern as illustrated in FIG. 137. The temperatures measured (in degrees Celsius) at each of the temperature observation wells are displayed in FIG. 138 as a function of time. Temperatures at observation wells 3808a (3820), 3808b (3822), and 3808c (3824) were relatively close to each other. A temperature at temperature observation well 3808d (3826) was significantly colder. This temperature observation well was located outside of the heater well triangle

WO 01/81239

PCT/US01/13452

illustrated in FIG. 137. This data demonstrates that in zones where there was little superposition of heat temperatures were significantly lower. FIG. 139 illustrated temperature profiles measured at the heat sources 3804a (3830), 3804b (3832), and 3804c (3834). The temperature profiles were relatively uniform at the heat sources.

5 FIG. 140 illustrates a plot of cumulative volume (m^3) of liquid hydrocarbons produced 3840 as a function of time (days). FIG. 149 illustrates a plot of cumulative volume of gas produced 3910 in standard cubic feet, produced as a function of time (in days) for the same in situ experiment. Both FIG. 140 and FIG. 149 show the results during the pyrolysis stage only of the in situ experiment.

10 FIG. 141 illustrates the carbon number distribution of condensable hydrocarbons that were produced using slow, low temperature retorting process as described above. As can be seen in FIG. 141, relatively high quality products were produced during treatment. The results in FIG. 141 are consistent with the results set forth in FIG. 146, which show results from heating coal from the same formation in the laboratory for similar ranges of heating rates as were used in situ.

15 Table 5 illustrates the results from analyzing coal before and after it was treated (including heating the temperatures set forth in as is set forth in FIG. 139 (i.e., after pyrolysis and production of synthesis gas) as described above. The coal was cored at about 11-11.3 meters from the surface, midway into the coal bed, in both the "before treatment" and "after treatment" examples. Both cores were taken at about the same location. Both cores were taken at about 0.66 meters from well 3804c (between the grout wall and well 3804c) in FIG. 137. In the following Table 5 "FA" means Fisher Assay, "as rec'd" means the sample was tested as it was received and without any further treatment, "Py-Water" means the water produced during pyrolysis, "H/C Atomic Ratio" means the atomic ratio of hydrogen to carbon, "daf" means "dry ash free," "dmmf" means "dry mineral matter free," and "mmf" means "mineral matter free." The specific gravity of the "after treatment" core sample was approximately 0.85 whereas the specific gravity of the "before treatment" core sample was approximately 1.35.

TABLE 5

<u>Analysis</u>	<u>Before Treatment</u>	<u>After Treatment</u>
% Vitrinite Reflectance	0.54	5.16
FA (gal/ton, as-rec'd)	11.81	0.17
FA (wt%, as rec'd)	6.10	0.61
FA Py-Water (gal/ton, as-rec'd)	10.54	2.22
H/C Atomic Ratio	0.85	0.06
H (wt%, daf)	5.31	0.44
O (wt%, daf)	17.08	3.06
N (wt%, daf)	1.43	1.35
Ash (wt%, as rec'd)	32.72	56.50
Fixed Carbon (wt%, dmmf)	54.45	94.43
Volatile Matter (wt%, dmmf)	45.55	5.57
Heating Value (Btu/lb, moist, mmf)	12048	14281

25 Even though the cores were taken outside the areas within the triangle formed by the three heaters in FIG. 137, nevertheless the cores demonstrate that the coal remaining in the formation changed significantly during treatment. The vitrinite reflectance results shown in Table 5 demonstrate that the rank of the coal remaining in the formation changed substantially during treatment. The coal was a high volatile bituminous C coal before treatment. After treatment, however, the coal was essentially anthracite. The Fischer Assay results shown in Table 5 demonstrate that most of the hydrocarbons in the coal had been removed during treatment. The H/C

30

WO 01/81239

PCT/US01/13452

Atomic Ratio demonstrates that most of the hydrogen in the coal had been removed during treatment. A significant amount of nitrogen and ash was left in the formation.

In sum, the results shown in Table 5 demonstrate that a significant amount of hydrocarbons and hydrogen were removed during treatment of the coal by pyrolysis and generation of synthesis gas. Significant amounts of undesirable products (ash and nitrogen) remain in the formation, while the significant amounts of desirable products (e.g., condensable hydrocarbons and gas) were removed.

FIG. 142 illustrates a plot of weight percent of a hydrocarbon produced versus carbon number distribution for two laboratory experiments on coal from the field experiment site. The coal was a high volatile bituminous C coal. As shown in FIG. 142, a carbon number distribution of fluids produced from a formation varied depending on, for example, pressure. For example, first pressure 3842 was about 1 bar absolute and second pressure 3844 was about 8 bars absolute. The laboratory carbon number distribution shown in FIG. 142 was similar to that produced in the field experiment in FIG. 141 also at 1 bar absolute. As shown in FIG. 142, as pressure increased, a range of carbon numbers of the hydrocarbon fluids decreased. An increase in products having carbon numbers less than 20 was observed when operating at 8 bars absolute. Increasing the pressure from 1 bar absolute to 8 bars absolute also increased an API gravity of the condensed hydrocarbon fluids. The API gravities of condensed hydrocarbon fluids produced were approximately 23.1° and approximately 31.3°, respectively. Such an increase in API gravity represents increased production of more valuable products.

FIG. 143 illustrates a bar graph of fractions from a boiling point separation of hydrocarbon liquids generated by a Fischer assay and a boiling point separation of hydrocarbon liquids from the coal cube experiment described herein (see, e.g., the system shown in FIG. 129). The experiment was conducted at a much slower heating rate (2 degrees Celsius per day) and the oil produced at a lower final temperature than the Fischer Assay. FIG. 143 shows the weight percent of various boiling point cuts of hydrocarbon liquids produced from a Fruitland high volatile bituminous B coal. Different boiling point cuts may represent different hydrocarbon fluid compositions. The boiling point cuts illustrated include naphtha 3860 (initial boiling point to 166°C), jet fuel 3862 (166°C to 249°C), diesel 3864 (249°C to 370°C), and bottoms 3866 (boiling point greater than 370°C). The hydrocarbon liquids from the coal cube were substantially more valuable products. The API gravity of such hydrocarbon liquids was significantly greater than the API gravity of the Fischer Assay liquid. The hydrocarbon liquids from the coal cube also included significantly less residual bottoms than were produced from the Fischer Assay hydrocarbon liquids.

FIG. 144 illustrates a plot of percentage ethene, which is an olefin, to ethane produced from a coal formation as a function of heating rate. Data points were derived from laboratory experimental data (see system shown in FIG. 89 and associated text) for slow heating of high volatile bituminous C coal at atmospheric pressure, and from Fischer assay results. As illustrated in FIG. 144, the ratio of ethene to ethane increased as the heating rate increased. As such, it is believed that decreasing the heating rate of coal will decrease production of olefins. The heating rate of a formation may be determined in part by the spacings of heat sources within the formation, and by the amount of heat that is transferred from the heat sources to the formation.

Formation pressure may also have a significant effect on olefin production. A high formation pressure may tend to result in the production of small quantities of olefins. High pressure within a formation may result in a high H₂ partial pressure within the formation. The high H₂ partial pressure may result in hydrogenation of the fluid within the formation. Hydrogenation may result in a reduction of olefins in a fluid produced from the formation. A high pressure and high H₂ partial pressure may also result in inhibition of aromatization of

hydrocarbons within the formation. Aromatization may include formation of aromatic and cyclic compounds from alkanes and/or alkenes within a hydrocarbon mixture. If it is desirable to increase production of olefins from a formation, the olefin content of fluid produced from the formation may be increased by reducing pressure within the formation. The pressure may be reduced by drawing off a larger quantity of formation fluid from a portion of the formation that is being produced. The pressure may be reduced by drawing a vacuum on the portion of the formation being produced.

The system depicted in FIG. 89, and the methods of using such system (see other discussion herein with respect to using such system to conduct oil shale experiments) was used to conduct experiments on high volatile bituminous C coal when such coal was heated at 5 °C/day at atmospheric pressure. FIG. 103 depicts certain data points from such experiment (the line depicted in FIG. 103 was produced from a linear regression analysis of such data points). FIG. 103 illustrates the ethene to ethane molar ratio as a function of hydrogen molar concentration in non-condensable hydrocarbons produced from the coal during the experiment. The ethene to ethane ratio in the non-condensable hydrocarbons is reflective of olefin content in all hydrocarbons produced from the coal. As can be seen in FIG. 103, as the concentration of hydrogen autogenously increased during pyrolysis, the ratio of ethene to ethane decreased. It is believed that increases in the concentration (and partial pressure) of hydrogen during pyrolysis causes the olefin concentration to decrease in the fluids produced from pyrolysis.

FIG. 145 illustrates product quality, as measured by API gravity, as a function of rate of temperature increase of fluids produced from high volatile bituminous "C" coal. Data points were derived from Fischer assay data and from laboratory experiments. For the Fischer assay data, the rate of temperature increase was approximately 17,100 °C/day and the resulting API gravity was less than 11°. For the relatively slow laboratory experiments, the rate of temperature increase ranged from about 2 °C/day to about 10 °C/day, and the resulting API gravities ranged from about 23° to about 26°. A substantially linear decrease in quality (decrease in API gravity) was exhibited as the logarithmic heating rate increased.

FIG. 146 illustrates weight percentages of various carbon numbers products removed from high volatile bituminous "C" coal when coal is heated at various heating rates. Data points were derived from laboratory experiments and a Fischer assay. Curves for heating at a rate of 2 °C/day 3870, 3 °C/day 3872, 5 °C/day 3874, and 10 °C/day 3876 provided for similar carbon number distributions in the produced fluids. A coal sample was also heated in a Fisher assay test at a rate of about 17,100 °C/day. The data from the Fischer assay test is indicated by reference numeral 3878. Slow heating rates resulted in less production of components having carbon numbers greater than 20 as compared to the Fischer assay results 3878. Lower heating rates also produced higher weight percentages of components with carbon numbers less than 20. The lower heating rates produced large amounts of components having carbon numbers near 12. A peak in carbon number distribution near 12 is typical of the in situ conversion process for coal and oil shale.

An experiment was conducted on the coal containing formation treated according to the in situ conversion process to measure the uniform permeability of the formation after pyrolysis. After heating a portion of the coal containing formation, a ten minute pulse of CO₂ was injected into the formation at first production well 3806a and produced at well 3804a, as shown in FIG. 137. The CO₂ tracer test was repeated from production well 3806a to well 3804b and from production well 3806a to well 3804c. As described above, each of the three different heat sources were located equidistant from the production well. The CO₂ was injected at a rate of 4.08 m³/hr (144 standard cubic feet per hour). As illustrated in FIG. 147, the CO₂ reached each of the three different heat sources at approximately the same time. Line 3900 illustrates production of CO₂ at heat source 3804a, line

3902 illustrates production of CO₂ at heat source 3804b, and line 3904 illustrates production of CO₂ at heat source 3804c. As shown in FIG. 149, yield of CO₂ from each of the three different wells was also approximately equal over time. Such approximately equivalent transfer of a tracer pulse of CO₂ through the formation and yield of CO₂ from the formation indicated that the formation was substantially uniformly permeable. The fact that the first CO₂ arrival only occurs approximately 18 minutes after start of the CO₂ pulse indicates that no preferential paths had been created between well 3806a and 3804a, 3804b, and 3804c.

The in situ permeability was measured by injecting a gas between different wells after the pyrolysis and synthesis gas formation stages were complete. The measured permeability varied from about 4.5 darcy to 39 darcy (with an average of about 20 darcy), thereby indicating that the permeability was high and relatively uniform. The before-treatment permeability was only about 50 millidarcy.

Synthesis gas was also produced in an in situ experiment from the portion of the coal containing formation shown in FIG. 136 and FIG. 137. In this experiment, heater wells were also configured to inject fluids. FIG. 148 is a plot of weight of volatiles (condensable and uncondensable) in kilograms as a function of cumulative energy content of product in kilowatts per hour from the in situ experimental field test. The figure illustrates the quantity and energy content of pyrolysis fluids and synthesis gas produced from the formation.

FIG. 150 is a plot of the volume of oil equivalent produced (m³) as a function of energy input into the coal formation (kW·hr) from the experimental field test. The volume of oil equivalent in cubic meters was determined by converting the energy content of the volume of produced oil plus gas to a volume of oil with the same energy content.

The start of synthesis gas production, indicated by arrow 3912, was at an energy input of approximately 77,000 kW·hr. The average coal temperature in the pyrolysis region had been raised to 620 °C. Because the average slope of the curve in FIG. 150 in the pyrolysis region is greater than the average slope of the curve in the synthesis gas region, FIG. 150 illustrates that the amount of useable energy contained in the produced synthesis gas is less than that contained in the pyrolysis fluids. Therefore, synthesis gas production is less energy efficient than pyrolysis. There are two reasons for this result. First, the two H₂ molecules produced in the synthesis gas reaction have a lower energy content than low carbon number hydrocarbons produced in pyrolysis. Second, the endothermic synthesis gas reaction consumes energy.

FIG. 151 is a plot of the total synthesis gas production (m³/min) from the coal formation versus the total water inflow (kg/h) due to injection into the formation from the experimental field test results facility. Synthesis gas may be generated in a formation at a synthesis gas generating temperature before the injection of water or steam due to the presence of natural water inflow into hot coal formation. Natural water may come from below the formation.

From FIG. 151, the maximum natural water inflow is approximately 5 kg/h as indicated by arrow 3920. Arrows 3922, 3924, and 3926 represent injected water rates of about 2.7 kg/h, 5.4 kg/h, and 11 kg/h, respectively, into central well 3806a. Production of synthesis gas is at heater wells 3804a, 3804b, and 3804c. FIG. 151 shows that the synthesis gas production per unit volume of water injected decreases at arrow 3922 at approximately 2.7 kg/h of injected water or 7.7 kg/h of total water inflow. The reason for the decrease is that steam is flowing too fast through the coal seam to allow the reactions to approach equilibrium conditions.

FIG. 152 illustrates production rate of synthesis gas (m³/min) as a function of steam injection rate (kg/h) in a coal formation. Data 3930 for a first run corresponds to injection at producer well 3806a in FIG. 137, and production of synthesis gas at heater wells 3804a, 3804b, and 3804c. Data 3932 for a second run corresponds to

WO 01/81239

PCT/US01/13452

injection of steam at heater well 3804c, and production of additional gas at a production well 3806a. Data 3930 for the first run corresponds to the data shown in FIG. 151. As shown in FIG. 152, the injected water is in reaction equilibrium with the formation to about 2.7 kg/hr of injected water. The second run results in substantially the same amount of additional synthesis gas produced, shown by data 3932, as the first run to about 1.2 kg/hr of injected steam. At about 1.2 kg/hr, data 3930 starts to deviate from equilibrium conditions because the residence time is insufficient for the additional water to react with the coal. As temperature is increased, a greater amount of additional synthesis gas is produced for a given injected water rate. The reason is that at higher temperatures the reaction rate and conversion of water into synthesis gas increases.

FIG. 153 is a plot that illustrates the effect of methane injection into a heated coal formation in the experimental field test (all of the units in FIGS. 153-156 are in m³ per hour). FIG. 153 demonstrates hydrocarbons added to the synthesis gas producing fluid are cracked within the formation. FIG. 137 illustrates the layout of the heater and production wells at the field test facility. Methane was injected into production wells 3806a and 3806b and fluid was produced from heater wells 3804a, 3804b, and 3804c. The average temperatures measured at various wells were as follows: 3804a (746 °C), 3804b (746 °C), 3804c (767 °C), 3808a (592 °C), 3808b (573 °C), 3808c (606 °C), and 3806a (769 °C). When the methane contacted the formation, it cracked within the formation to produce H₂ and coke. FIG. 153 shows that as the methane injection rate increased, the production of H₂ 3940 increased. This indicated that methane was cracking to form H₂. Methane production 3942 also increased which indicates that not all of the injected methane is cracked. The measured compositions of ethane, ethene, propane, and butane were negligible.

FIG. 154 is a plot that illustrates the effect of ethane injection into a heated coal formation in the experimental field test. Ethane was injected into production wells 3806a and 3806b and fluid was produced from heater wells 3804a, 3804b, and 3804c. The average temperatures measured at various wells were as follows: 3804a (742 °C), 3804b (750 °C), 3804c (744 °C), 3808a (611 °C), 3808b (595 °C), 3808c (626 °C), and 3806a (818 °C). When ethane contacted the formation, it cracked to produce H₂, methane, ethene, and coke. FIG. 154 shows that as the ethane injection rate increased, the production of H₂ 3950, methane 3952, ethane 3954, and ethene 3956 increased. This indicates that ethane is cracking to form H₂ and low molecular weight hydrocarbons. The production rate of higher carbon number products (i.e., propane and propylene) were unaffected by the injection of ethane.

FIG. 155 is a plot that illustrates the effect of propane injection into a heated coal formation in the experimental field test. Propane was injected into production wells 3806a and 3806b and fluid was produced from heater wells 3804a, 3804b, and 3804c. The average temperatures measured at various wells were as follows: 3804a (737 °C), 3804b (753 °C), 3804c (726 °C), 3808a (589 °C), 3808b (573 °C), 3808c (606 °C), and 3806a (769 °C). When propane contacted the formation, it cracked to produce H₂, methane, ethane, ethene, propylene and coke. FIG. 155 shows that as the propane injection rate increased, the production of H₂ 3960, methane 3962, ethane 3964, ethene 3966, propane 3968, and propylene 3969 increased. This indicates that propane is cracking to form H₂ and lower molecular weight components.

FIG. 156 is a plot that illustrates the effect of butane injection into a heated coal formation in the experimental field test. Butane was injected into production wells 3806a and 3806b and fluid was produced from heater wells 3804a, 3804b, and 3804c. The average temperature measured at various wells were as follows: 3804a (772 °C), 3804b (764 °C), 3804c (753 °C), 3808a (650 °C), 3808b (591 °C), 3808c (624 °C), and 3806a (830 °C). When butane contacted the formation, it cracked to produce H₂, methane, ethane, ethene, propane,

WO 01/81239

PCT/US01/13452

propylene, and coke. FIG. 156 shows that as the butane injection rate increased, the production of H₂ 3970, methane 3972, ethane 3974, ethene 3976, propane 3978, and propylene 3979 increased. This indicates that butane is cracking to form H₂ and lower molecular weight components.

5 FIG. 157 is a plot of the composition of gas (in volume percent) produced from the heated coal formation versus time in days at the experimental field test. The species compositions included 3980 - methane, 3982 - H₂, 3984 - carbon dioxide, 3986 - hydrogen sulfide, and 3988 - carbon monoxide. FIG. 157 shows a dramatic increase in the H₂ 3982 concentration after about 150 days, or when synthesis gas production began.

10 FIG. 158 is a plot of synthesis gas conversion versus time for synthesis gas generation runs in the experimental field test performed on separate days. The temperature of the formation was about 600 °C. The data demonstrates initial uncertainty in measurements in the oil/water separator. Synthesis gas conversion consistently approached a conversion of between about 40 % and 50 % after about 2 hours of synthesis gas producing fluid injection.

Table 6 includes a composition of synthesis gas producing during a run of the in situ coal field experiment.

15 Table 6

Component	Mol%	Wt%
Methane	12.263	12.197
Ethane	0.281	0.525
Ethene	0.184	0.320
Acetylene	0.000	0.000
Propane	0.017	0.046
Propylene	0.026	0.067
Propadiene	0.001	0.004
Isobutane	0.001	0.004
n-Butane	0.000	0.001
1-Butene	0.001	0.003
Isobutene	0.000	0.000
cis-2-Butene	0.005	0.018
trans-2-Butene	0.001	0.003
1,3-Butadiene	0.001	0.005
Isopentane	0.001	0.002
n-Pentane	0.000	0.002
Pentene-1	0.000	0.000
T-2-Pentene	0.000	0.000
2-Methyl-2-Butene	0.000	0.000
C-2-Pentene	0.000	0.000
Hexanes	0.081	0.433
H ₂	51.247	6.405
Carbon monoxide	11.556	20.067
Carbon dioxide	17.520	47.799
Nitrogen	5.782	10.041
Oxygen	0.955	1.895
Hydrogen sulfide	0.077	0.163
Total	100.000	100.000

20 The experiment was performed in batch oxidation mode at about 620 °C. The presence of nitrogen and oxygen is due to contamination of the sample with air. The mole percent of H₂, carbon monoxide, and carbon dioxide, neglecting the composition of all other species, may be determined for the above data. For example, mole percent of H₂, carbon monoxide, and carbon dioxide may be increased proportionally such that the mole

WO 01/81239

PCT/US01/13452

percentages of the three components equals approximately 100 %. In this manner, the mole percent of H₂, carbon monoxide, and carbon dioxide, neglecting the composition of all other species, were 63.8 %, 14.4 %, and 21.8 %, respectively. The methane is believed to come primarily from the pyrolysis region outside the triangle of heaters. These values are in substantial agreement with the results of equilibrium calculations shown in FIG. 159.

5 FIG. 159 is a plot of calculated equilibrium gas dry mole fractions for a coal reaction with water. Methane reactions are not included for FIGS. 159-160. The fractions are representative of a synthesis gas that has been produced from a hydrocarbon containing formation and has been passed through a condenser to remove water from the produced gas. Equilibrium gas dry mole fractions are shown in FIG. 159 for H₂ 4000, carbon monoxide 4002, and carbon dioxide 4004 as a function of temperature at a pressure of 2 bar absolute. As shown
10 in FIG. 159, at 390 °C, liquid production tends to cease, and production of gases tends to commence. The gases produced at this temperature include about 67 % H₂, and about 33 % carbon dioxide. Carbon monoxide is present in negligible quantities below about 410 °C. At temperatures of about 500 °C, however, carbon monoxide is present in the produced gas in measurable quantities. For example, at 500 °C, about 66.5 % H₂, about 32 % carbon dioxide, and about 2.5 % carbon monoxide are present. At 700 °C, the produced gas includes about 57.5
15 % H₂, about 15.5 % carbon dioxide, and about 27 % carbon monoxide.

FIG. 160 is a plot of calculated equilibrium wet mole fractions for a coal reaction with water. Equilibrium wet mole fractions are shown for water 4006, H₂ 4008, carbon monoxide 4010, and carbon dioxide 4012 as a function of temperature at a pressure of 2 bar absolute. At 390 °C, the produced gas includes about 89 % water, about 7 % H₂, and about 4 % carbon dioxide. At 500 °C, the produced gas includes about 66 % water,
20 about 22 % H₂, about 11 % carbon dioxide, and about 1 % carbon monoxide. At 700 °C, the produced gas include about percent 18 % water, about 47.5 % H₂, about 12 % carbon dioxide, and about 22.5 % carbon monoxide.

FIG. 159 and FIG. 160 illustrate that at the lower end of the temperature range at which synthesis gas may be produced (i.e., about 400 °C) equilibrium gas phase fractions may not favor production of H₂ within a
25 formation. As temperature increases, the equilibrium gas phase fractions increasingly favor the production of H₂. For example, as shown in FIG. 160, the gas phase equilibrium wet mole fraction of H₂ increases from about 9 % at 400 °C to about 39 % at 610 °C and reaches 50 % at about 800 °C. FIG. 159 and FIG. 160 further illustrate that at temperatures greater than about 660 °C, equilibrium gas phase fractions tend to favor production of carbon monoxide over carbon dioxide.

30 FIG. 159 and FIG. 160 illustrate that as the temperature increases from between about 400 °C to about 1000 °C, the H₂ to carbon monoxide ratio of produced synthesis gas may continuously decrease throughout this range. For example, as shown in FIG. 160, the equilibrium gas phase H₂ to carbon monoxide ratio at 500 °C, 660 °C, and 1000 °C is about 22:1, about 3:1, and about 1:1, respectively. FIG. 160 also indicates that produced synthesis gas at lower temperatures may have a larger quantity of water and carbon dioxide than at higher
35 temperatures. As the temperature increases, the overall percentage of carbon monoxide and hydrogen within the synthesis gas may increase.

FIG. 161 is a flowchart of an example of a pyrolysis stage 4020 and synthesis gas production stage 4022 with heat and mass balances in high volatile type A or B bituminous coal. In the pyrolysis stage 4020, heat 4024 is supplied to the coal formation 4026. Liquid
40 and gas products 4028 and water 4030 exit the formation 4026. The portion of the formation subjected to pyrolysis is composed substantially of char after undergoing pyrolysis heating. Char refers to a solid

carbonaceous residue that results from pyrolysis of organic material. In the synthesis gas production stage 4022, steam 4032 and heat 4034 are supplied to formation 4036 that has undergone pyrolysis and synthesis gas 4038 is produced.

In the embodiments in FIGS. 162-164 the methane reactions in Equations (4) and (5) are included. The calculations set forth herein assume that char is only made of carbon and that there is an excess of carbon to steam. About 890 MWe of energy 4024 is required to pyrolyze about 105,800 metric tons per day of coal. The pyrolysis products 4028 include liquids and gases with a production of 23,000 cubic meters per day. The pyrolysis process also produces about 7,160 metric tons per day of water 4030. In the synthesis gas stage about 57,800 metric tons per day of char with injection of 23,000 metric tons per day of steam 4032 and 2,000 MWe of energy 4034 with a 20% conversion will produce 12,700 cubic meters equivalent oil per day of synthesis gas 4038.

FIG. 162 is an example of a low temperature in situ synthesis gas production that occurs at a temperature of about 450 °C with heat and mass balances in a hydrocarbon containing formation that was previously pyrolyzed. A total of about 42,900 metric tons per day of water is injected into formation 4100 which may be char. FIG. 162 illustrates that a portion of water 4102 at 25 °C is injected directly into the formation 4100. A portion of water 4102 is converted into steam 4104 at a temperature of about 130 °C and a pressure at about 3 bar absolute using about 1227 MWe of energy 4106 and injected into formation 4100. A portion of the remaining steam may be converted into steam 4108 at a temperature of about 450 °C and a pressure at about 3 bar absolute using about 318 MWe of energy 4110. The synthesis gas production involves about 23% conversion of 13,137 metric tons per day of char to produce 56.6 millions of cubic meters per day of synthesis gas with an energy content of 5,230 MW. About 238 MW of energy 4112 is supplied to formation 4100 to account for the endothermic heat of reaction of the synthesis gas reaction. The product stream 4114 of the synthesis gas reaction includes 29,470 metric tons per day of water at 46 volume percent, 501 metric tons per day carbon monoxide at 0.7 volume percent, 540 tons per day H₂ at 10.7 volume percent, 26,455 metric tons per day carbon dioxide at 23.8 volume percent, and 7,610 metric tons per day methane at 18.8 volume percent.

FIG. 163 is an example of a high temperature in situ synthesis gas production that occurs at a temperature of about 650 °C with heat and mass balances in a hydrocarbon containing formation that was previously pyrolyzed. A total of about 34,352 metric tons per day of water is injected into formation 4200. FIG. 163 illustrates that a portion of water 4202 at 25 °C is injected directly into formation 4200. A portion of water 4202 is converted into steam 4204 at a temperature of about 130 °C and a pressure at about 3 bar absolute using about 982 MWe of energy 4206, and injected into formation 4200. A portion of the remaining steam is converted into steam 4208 at a temperature of about 650 °C and a pressure at about 3 bar absolute using about 413 MWe of energy 4210. The synthesis gas production involves about 22% conversion of 12,771 metric tons per day of char to produce 56.6 millions of cubic meters per day of synthesis gas with an energy content of 5,699 MW. About 898 MW of energy 4212 is supplied to formation 4200 to account for the endothermic heat of reaction of the synthesis gas reaction. The product stream 4214 of the synthesis gas reaction includes 10,413 metric tons per day of water at 22.8 volume percent, 9,988 metric tons per day carbon monoxide at 14.1 volume percent, 1771 metric tons per day H₂ at 35 volume percent, 21,410 metric tons per day carbon dioxide at 19.3 volume percent, and 3535 metric tons per day methane at 8.7 volume percent.

FIG. 164 is an example of an in situ synthesis gas production in a hydrocarbon containing formation with heat and mass balances. Synthesis gas generating fluid that includes water 4302 is supplied to the formation

WO 01/81239

PCT/US01/13452

4300. A total of about 22,000 metric tons per day of water is required for a low temperature process and about 24,000 metric tons per day is required for a high temperature process. A portion of the water may be introduced into the formation as steam. Steam 4304 is produced by supplying heat to the water from an external source. About 7,119 metric tons per day of steam is provided for the low temperature process and about 6913 metric tons per day of steam is provided for the high temperature process.

At least a portion of the aqueous fluid 4306 exiting formation 4300 is recycled 4308 back into the formation for generation of synthesis gas. For a low temperature process about 21,000 metric tons per day of aqueous fluids is recycled and for a high temperature process about 10,000 metric tons per day of aqueous fluids is recycled. The produced synthesis gas 4310 includes carbon monoxide, H₂, and methane. The produced synthesis gas has a heat content of about 430,000 MMBtu per day for a low temperature process and a heat content of about 470,000 MMBtu per day for a low temperature process. Carbon dioxide 4312 produced in the synthesis gas process includes about 26,500 metric tons per day in the low temperature process and about 21,500 metric tons per day in the high temperature process. At least a portion of the produced synthesis gas 4310 is used for combustion to heat the formation. There is about 7,119 metric tons per day of carbon dioxide in the steam 4308 for the low temperature process and about 6,913 metric tons per day of carbon dioxide in the steam for the high temperature process. There is about 2,551 metric tons per day of carbon dioxide in a heat reservoir for the low temperature process and about 9,628 metric tons per day of carbon dioxide in a heat reservoir for the high temperature process. There is about 14,571 metric tons per day of carbon dioxide in the combustion of synthesis gas for the low temperature process and about 18,503 metric tons per day of carbon dioxide in produced combustion synthesis gas for the high temperature process. The produced carbon dioxide has a heat content of about 60 gigaJoules ("GJ") per metric ton for the low temperature process and about 6.3 GJ per metric ton for the high temperature process.

Table 7 is an overview of the potential production volume of applications of synthesis gas produced by wet oxidation. The estimates are based on 56.6 million standard cubic meters of synthesis gas produced per day at 700 °C.

TABLE 7

Application	Production (main product)
Power	2,720 Megawatts
Hydrogen	2,700 metric tons/day
NH ₃	13,800 metric tons/day
CH ₄	7,600 metric tons/day
Methanol	13,300 metric tons/day
Shell Middle Distillates	5,300 metric tons/day

Experimental adsorption data has demonstrated that carbon dioxide may be stored in coal that has been pyrolyzed. FIG. 165 is a plot of the cumulative adsorbed methane and carbon dioxide in cubic meters per metric ton versus pressure in bar absolute at 25 °C on coal. The coal sample is sub-bituminous coal from Gillette, Wyoming. Data sets 4401, 4402, 4403, 4404, and 4405 are for carbon dioxide adsorption on a post treatment coal sample that has been pyrolyzed and has undergone synthesis gas generation. Data set 4406 is for adsorption on an unpyrolyzed coal sample from the same formation. Data set 4401 is adsorption of methane at 25 °C. Data sets

WO 01/81239

PCT/US01/13452

4402, 4403, 4404, and 4405 are adsorption of carbon dioxide at 25 °C, 50 °C, 100 °C, and 150 °C, respectively. Data set 4406 is adsorption of carbon dioxide at 25 °C on the unpyrolyzed coal sample. FIG. 165 shows that carbon dioxide at temperatures between 25 °C and 100 °C is more strongly adsorbed than methane at 25 °C in the pyrolyzed coal. FIG. 165 demonstrates that a carbon dioxide stream passed through post treatment coal tends to
5 displace methane from the post treatment coal.

Computer simulations have demonstrated that carbon dioxide may be sequestered in both a deep coal formation and a post treatment coal formation. The Comet2 Simulator determined the amount of carbon dioxide that could be sequestered in a San Juan Basin type deep coal formation and a post treatment coal formation. The simulator also determined the amount of methane produced from the San Juan Basin type deep coal formation due
10 to carbon dioxide injection. The model employed for both the deep coal formation and the post treatment coal formation was a 1.3 km² area, with a repeating 5 spot well pattern. The 5 spot well pattern included four injection wells arranged in a square and one production well at the center of the square. The properties of the San Juan Basin and the post treatment coal formations are shown in Table 8. Additional details of simulations of carbon dioxide sequestration in deep coal formations and comparisons with field test results may be found in *Pilot Test
15 Demonstrates How Carbon Dioxide Enhances Coal Bed Methane Recovery*, Lanny Schoeling and Michael McGovern, Petroleum Technology Digest, Sept. 2000, p. 14-15.

TABLE 8.

	Deep Coal Formation (San Juan Basin)	Post treatment coal formation (Post pyrolysis process)
Coal Thickness (m)	9	9
Coal Depth (m)	990	460
Initial Pressure (bars abs.)	114	2
Initial Temperature	25 °C	25 °C
Permeability (md)	5.5 (horiz.), 0 (vertical)	10,000 (horiz.), 0 (vertical)
Cleat porosity	0.2 %	40 %

The simulation model accounts for the matrix and dual porosity nature of coal and post treatment coal. For example, coal and post treatment coal are composed of matrix blocks. The spaces between the blocks are
20 called "cleats". Cleat porosity is a measure of available space for flow of fluids in the formation. The relative permeabilities of gases and water within the cleats required for the simulation were derived from field data from the San Juan coal. The same values for relative permeabilities were used in the post treatment coal formation simulations. Carbon dioxide and methane were assumed to have the same relative permeability.

The cleat system of the deep coal formation was modeled as initially saturated with water. Relative
25 permeability data for carbon dioxide and water demonstrate that high water saturation inhibits absorption of carbon dioxide within cleats. Therefore, water is removed from the formation before injecting carbon dioxide into the formation.

In addition, the gases within the cleats may adsorb in the coal matrix. The matrix porosity is a measure
30 of the space available for fluids to adsorb in the matrix. The matrix porosity and surface area were taken into account with experimental mass transfer and isotherm adsorption data for coal and post treatment coal. Therefore, it is not necessary to specify a value of the matrix porosity and surface area in the model.

The preferential adsorption of carbon dioxide over methane on post treatment coal was incorporated into the model based on experimental adsorption data. For example, FIG. 165 demonstrates that carbon dioxide has a significantly higher cumulative adsorption than methane over an entire range of pressures at a specified temperature. Once the carbon dioxide enters in the cleat system, methane diffuses out of and desorbs off the matrix. Similarly, carbon dioxide diffuses into and adsorbs onto the matrix. In addition, FIG. 165 also shows carbon dioxide may have a higher cumulative adsorption on a pyrolyzed coal sample than an unpyrolyzed coal.

The pressure-volume-temperature (PVT) properties and viscosity required for the model were taken from literature data for the pure component gases.

The simulation modeled a sequestration process over a time period of about 3700 days for the deep coal formation model. Removal of the water in the coal formation was simulated by production from all five wells. The production rate of water was about 40 m³/day for about the first 370 days. The production rate of water decreased significantly after the first 370 days. It continued to decrease through the remainder of the simulation run to about zero at the end. Carbon dioxide injection was started at approximately 370 days at a flow rate of about 113,000 standard (in this context "standard" means 1 atmosphere pressure and 15.5 degrees Celsius) m³/day. The injection rate of carbon dioxide was doubled to about 226,000 standard m³/day at approximately 1440 days. The injection rate remained at about 226,000 standard m³/day until the end of the simulation run.

FIG. 177 illustrates the pressure at the wellhead of the injection wells as a function of time during the simulation. The pressure decreased from 114 bars absolute to about 20 bars absolute over the first 370 days. The decrease in the pressure was due to removal of water from the coal formation. Pressure then started to increase substantially as carbon dioxide injection started at 370 days. The pressure reached a maximum of 98 bars. The pressure then began to gradually decrease after 480 days. At about 1440 days, the pressure increased again to about 143 bars absolute due to the increase in the carbon dioxide injection rate. The pressure gradually increased until about 3640 days. The pressure jumped at about 3640 days because the production well was closed off.

FIG. 178 illustrates the production rate of carbon dioxide 5060 and methane 5070 as a function of time in the simulation. FIG. 178 shows that carbon dioxide was produced at a rate between about 0-10,000 m³/day during approximately the first 2400 days. The production rate of carbon dioxide was significantly below the injection rate. Therefore, the simulation predicts that most of the injected carbon dioxide is being sequestered in the coal formation. However, at about 2400 days, the production rate of carbon dioxide started to rise significantly due to onset of saturation of the coal formation.

In addition, FIG. 178 shows that methane was desorbing as carbon dioxide was adsorbing in the coal formation. Between about 370-2400 days, the methane production rate 5070 increased from about 60,000 to about 115,000 standard m³/day. The increase in the methane production rate between about 1440-2400 days was caused by the increase in carbon dioxide injection rate at about 1440 days. The production rate of methane started to decrease after about 2400 days. This was due to the saturation of the coal formation. The simulation predicted a 50 % breakthrough at about 2700 days. "Breakthrough" is defined as the ratio of the flow rate of carbon dioxide to the total flow rate of the total produced gas times 100 %. Also, the simulation predicted about a 90 % breakthrough at about 3600 days.

FIG. 179 illustrates cumulative methane produced 5090 and the cumulative net carbon dioxide injected 5080 as a function of time during the simulation. The cumulative net carbon dioxide injected is the total carbon dioxide produced subtracted from the total carbon dioxide injected. FIG. 179 shows that by the end of the simulated injection about twice as much carbon dioxide was stored than methane produced. In addition, the

methane production was about 0.24 billion standard m³ at 50 % carbon dioxide breakthrough. Also, the carbon dioxide sequestration was about 0.39 billion standard m³ at 50 % carbon dioxide breakthrough. The methane production was about 0.26 billion standard m³ at 90 % carbon dioxide breakthrough. Also, the carbon dioxide sequestration was about 0.46 billion standard m³ at 90 % carbon dioxide breakthrough.

5 Table 8 shows that the permeability and porosity of the simulation in the post treatment coal formation were both significantly higher than in the deep coal formation prior to treatment. Also, the initial pressure was much lower. The depth of the post treatment coal formation was shallower than the deep coal bed methane formation. The same relative permeability data and PVT data used for the deep coal formation were used for the coal formation simulation. The initial water saturation for the post treatment coal formation was set at 70 %.

10 Water was present because it is used to cool the hot spent coal formation to 25 °C. The amount of methane initially stored in the post treatment coal is very low.

The simulation modeled a sequestration process over a time period of about 3800 days for the post treatment coal formation model. The simulation modeled removal of water from the post treatment coal formation with production from all five wells. During about the first 200 days, the production rate of water was about 680,000 standard m³/day. From about 200-3300 days the water production rate was between about 210,000 to about 480,000 standard m³/day. Production rate of water was negligible after about 3300 days. Carbon dioxide injection was started at approximately 370 days at a flow rate of about 113,000 standard m³/day. The injection rate of carbon dioxide was increased to about 226,000 standard m³/day at approximately 1440 days. The injection rate remained at 226,000 standard m³/day until the end of the simulated injection.

20 FIG. 180 illustrates the pressure at the wellhead of the injection wells as a function of time during the simulation of the post treatment coal formation model. The pressure was relatively constant up to about 370 days. The pressure increased through most of the rest of the simulation run up to about 36 bars absolute. The pressure rose steeply starting at about 3300 days because the production well was closed off.

FIG. 181 illustrates the production rate of carbon dioxide as a function of time in the simulation of the post treatment coal formation model. FIG. 181 shows that the production rate of carbon dioxide was almost negligible during approximately the first 2200 days. Therefore, the simulation predicts that nearly all of the injected carbon dioxide is being sequestered in the post treatment coal formation. However, at about 2240 days, the produced carbon dioxide began to increase. The production rate of carbon dioxide started to rise significantly due to onset of saturation of the post treatment coal formation.

30 FIG. 182 illustrates cumulative net carbon dioxide injected as a function of time during the simulation in the post treatment coal formation model. The cumulative net carbon dioxide injected is the total carbon dioxide produced subtracted from the total carbon dioxide injected. FIG. 182 shows that the simulation predicts a potential net sequestration of carbon dioxide of 0.56 Bm³. This value is greater than the value of 0.46 Bm³ at 90 % carbon dioxide breakthrough in the deep coal formation. However, comparison of FIG. 177 with FIG. 180 shows that sequestration occurs at much lower pressures in the post treatment coal formation model. Therefore, less compression energy was required for sequestration in the post treatment coal formation.

40 The simulations show that large amounts of carbon dioxide may be sequestered in both deep coal formations and in post treatment coal formations that have been cooled. Carbon dioxide may be sequestered in the post treatment coal formation, in coal formations that have not been pyrolyzed, and/or in both types of formations.

FIG. 166 is a flowchart of an embodiment of an in situ synthesis gas production process integrated with a SMDS Fischer-Tropsch and wax cracking process with heat and mass balances. The synthesis gas generating fluid injected into the formation includes about 24,000 metric tons per day of water 4530, which includes about 5,500 metric tons per day of water 4540 recycled from the SMDS Fischer-Tropsch and wax cracking process 4520. A total of about 1700 MW of energy is supplied to the in situ synthesis gas production process. About 1020 MW of energy 4535 of the approximately 1700 MW of energy is supplied by in situ reaction of an oxidizing fluid with the formation, and approximately 680 MW of energy 4550 is supplied by the SMDS Fischer-Tropsch and wax cracking process 4520 in the form of steam. About 12,700 cubic meters equivalent oil per day of synthesis gas 4560 is used as feed gas to the SMDS Fischer-Tropsch and wax cracking process 4520. The SMDS Fischer-Tropsch and wax cracking process 4520 produces about 4,770 cubic meters per day of products 4570 that may include naphtha, kerosene, diesel, and about 5,880 cubic meters equivalent oil per day of off gas 4580 for a power generation facility.

FIG. 167 is a comparison between numerical simulation and the in situ experimental coal field test composition of synthesis gas produced as a function of time. The plot excludes nitrogen and traces of oxygen that were contaminants during gas sampling. Symbols represent experimental data and curves represent simulation results. Hydrocarbons 4601 are methane since all other heavier hydrocarbons have decomposed at the prevailing temperatures. The simulation results are moving averages of raw results, which exhibit peaks and troughs of approximately ± 10 percent of the averaged value. In the model, the peaks of H_2 occurred when fluids were injected into the coal seam, and coincided with lows in CO_2 and CO .

The simulation of H_2 4604 provides a good fit to observed fraction of H_2 4603. The simulation of methane 4602 provides a good fit to observed fraction of methane 4601. The simulation of carbon dioxide 4606 provides a good fit to observed fraction of carbon dioxide 4605. The simulation of CO 4608 overestimated the fraction of CO 4607 by 4-5 percentage points. Carbon monoxide is the most difficult of the synthesis gas components to model. Also, the carbon monoxide discrepancy may be due to fact that the pattern temperatures exceeded the $550^\circ C$, the upper limit at which the numerical model was calibrated.

Other methods of producing synthesis gas were successfully demonstrated at the experimental field test. These included continuous injection of steam and air, steam and oxygen, water and air, water and oxygen, steam, air and carbon dioxide. All these injections successfully generated synthesis gas in the hot coke formation.

Low temperature pyrolysis experiments with tar sand were conducted to determine a pyrolysis temperature zone and effects of temperature in a heated portion on the quality of the produced pyrolyzation fluids. The tar sand was collected from the Athabasca tar sand region. FIG. 89 depicts a retort and collection system used to conduct the experiment. The retort and collection may be configured as described herein.

Laboratory experiments were conducted on three tar samples contained in their natural sand matrix. The three tar samples were collected from the Athabasca tar sand region in western Canada. In each case, core material received from a well was mixed and then was split. One aliquot of the split core material was used in the retort, and the replicate aliquot was saved for comparative analyses. Materials sampled included a tar sample within a sandstone matrix.

The heating rate for the runs was varied at $1^\circ C/day$, $5^\circ C/day$, and $10^\circ C/day$. The pressure condition was varied for the runs at pressures of 1 bar, 7.9 bars, and 28.6 bars. Run #78 was operated with no backpressure 1 bar absolute and a heating rate of $1^\circ C/day$. Run #79 was operated with no backpressure 1 bar absolute and a heating rate of $5^\circ C/day$. Run #81 was operated with no backpressure 1 bar absolute and a heating rate of 10

WO 01/81239

PCT/US01/13452

°C/day. Run #86 was operated with at a pressure of 7.9 bars absolute and a heating rate of 10 °C/day. Run #96 was operated with at a pressure of 28.6 bars absolute and a heating rate of 10 °C/day. In general, 0.5 to 1.5 kg initial weight of the sample was required to fill the available retort cells.

The internal temperature for the runs was raised from ambient to 110 °C, 200 °C, 225 °C and 270 °C with 24 hours holding time between each temperature increase. Most of the moisture was removed from the samples during this heating. Beginning at 270°C, the temperature was increased by 1 °C/day, 5 °C/day, or 10 °C/day until no further fluid was produced. The temperature was monitored and controlled during the heating of this stage.

Produced liquid was collected in graduated glass collection tubes. Produced gas was collected in graduated glass collection bottles. Fluid volumes were read and recorded daily. Accuracy of the oil and gas volume readings was within +/-0.6% and 2%, respectively. The experiments were stopped when fluid production ceased. Power was turned off and more than 12 hours was allowed for the retort to fall to room temperature. The pyrolyzed sample remains were unloaded, weighed, and stored in sealed plastic cups. Fluid production and remaining rock material were sent out for analytical experimentation.

In addition, Dean Stark toluene solvent extraction was used to assay the amount of tar contained in the sample. In such an extraction procedure, a solvent such as toluene or a toluene/xylene mixture may be mixed with a sample and may be refluxed under a condenser using a receiver. As the refluxed sample condenses, two phases of the sample may separate as they flow into the receiver. For example, tar may remain in the receiver while the solvent returns to the flask. Detailed procedures for Dean Stark toluene solvent extraction are provided by the American Society for Testing and Materials ("ASTM"). The ASTM is incorporated by reference as if fully set forth herein. A 30g sample from each depth was sent for Dean Stark extraction analysis.

Table 9 illustrates the elemental analysis of initial tar and of the produced fluids for runs #81, #86, and #96. These data are all for a heating rate of 10 °C/day. Only a pressure was varied between the runs.

TABLE 9

Run #	P (bar)	C (wt%)	H (wt%)	N (wt%)	O (wt%)	S (wt%)
Initial Tar	---	76.58	11.28	1.87	5.96	4.32
81	1	85.31	12.17	0.08	---	2.47
86	7.9	81.78	11.69	0.06	4.71	1.76
96	28.6	82.68	11.65	0.03	4.31	1.33

As illustrated in Table 9, pyrolysis of the tar sand decreases nitrogen and sulfur weight percentages in a produced fluid and increases carbon weight percentage a produced fluid. Increasing the pressure in the pyrolysis experiment appears to further decrease the nitrogen and sulfur weight percentage in the produced fluids.

Table 10 illustrates NOISE (Nitric Oxide Ionization Spectrometry Evaluation) analysis data for runs #81, #86, and #96 and the initial tar. NOISE has been developed by a commercial laboratory as a quantitative analysis of the weight percentages of the main constituents in oil. The remaining weight percentage (47.2 %) in the initial tar may be found in a residue.

WO 01/81239

PCT/US01/13452

TABLE 10

Run #	P (bar)	Paraffins (wt%)	Cycloalkanes (wt%)	Phenols (wt%)	Mono-aromatics (wt%)
Initial Tar	---	7.08	29.15	0	6.73
81	1	15.36	46.7	0.34	21.04
86	7.9	27.16	45.8	0.54	16.88
96	28.6	26.45	36.56	0.47	28.0

Run #	P (bar)	Di-aromatics (wt%)	Tri-aromatics (wt%)	Tetra-aromatics (wt%)
Initial Tar	---	8.12	1.70	0.02
81	1	14.83	1.72	0.01
86	7.9	9.09	0.53	0
96	28.6	8.52	0	0

As illustrated in Table 10, pyrolyzation of tar sand produces a product fluid with a significantly higher weight percentage of paraffins, cycloalkanes, and mono-aromatics than may be found in the initial tar sand. Increasing the pressure up to 7.9 bars absolute appears to substantially eliminate the production of tetra-aromatics. Further increasing the pressure up to 28.6 bars absolute appears to substantially eliminate the production of tri-aromatics. An increase in the pressure also appears to decrease a production of di-aromatics. Increasing the pressure up to 28.6 bars absolute also appears to significantly increase a production of mono-aromatics. This may be due to an increased hydrogen partial pressure at the higher pressure. The increased hydrogen partial pressure may reduce poly-aromatic compounds to the mono-aromatics.

FIG. 168 illustrates plots of weight percentages of carbon compounds versus carbon number for initial tar 4703 and runs at pressures of 1 bar absolute 4704, 7.9 bars absolute 4705, and 28.6 bars absolute 4706 with a heating rate of 10 °C/day. From the plots of initial tar 4703 and a pressure of 1 bar absolute 4704 it can be seen that pyrolysis shifts an average carbon number distribution to relatively lower carbon numbers. For example, a mean carbon number in the carbon distribution of plot 4703 is at about carbon number nineteen and a mean carbon number in the carbon distribution of plot 4704 is at about carbon number seventeen. Increasing the pressure to 7.9 bars absolute 4705 further shifts the average carbon number distribution to even lower carbon numbers. Increasing the pressure to 7.9 bars absolute 4705 also shifts the mean carbon number in the carbon distribution to a carbon number of about thirteen. Further increasing the pressure to 28.6 bars absolute 4706 reduces the mean carbon number to about eleven. Increasing the pressure is believed to decrease the average carbon number distribution by increasing a hydrogen partial pressure in the product fluid. The increased hydrogen partial pressure in the product fluid allows hydrogenation, dearomatization, and/or pyrolysis of large molecules to from smaller molecules. Increasing the pressure also increases a quality of the produced fluid. For example, the API gravity of the fluid increased from less than about 10° for the initial tar, to about 31° for a pressure of 1 bar absolute, to about 39° for a pressure of 7.9 bars absolute, to about 45° for a pressure of 28.6 bars absolute.

FIG. 169 illustrates bar graphs of weight percentages of carbon compounds for various pyrolysis heating rates and pressures. Bar graph 4710 illustrates weight percentages for pyrolysis with a heating rate of 1 °C/day at

WO 01/81239

PCT/US01/13452

a pressure of 1 bar absolute. Bar graph 4712 illustrates weight percentages for pyrolysis with a heating rate of 5 °C/day at a pressure of 1 bar. Bar graph 4714 illustrates weight percentages for pyrolysis with a heating rate of 10 °C/day at a pressure of 1 bar. Bar graph 4716 illustrates weight percentages for pyrolysis with a heating rate of 10 °C/day at a pressure of 7.9 bars absolute. Weight percentages of paraffins 4720, cycloalkanes 4722, mono-
 5 aromatics 4724, di-aromatics 4726, and tri-aromatics 4728 are illustrated in the bar graphs. The bar graphs demonstrate that a variation in the heating rate between 1 °C/day to 10 °C/day does not significantly affect the composition of the product fluid. Increasing the pressure from 1 bar absolute to 7.9 bars absolute, however, affects a composition of the product fluid. Such an effect may be characteristic of the effects described in FIG. 168 and Tables 9 and 10 above.

10 A three-dimensional (3-D) simulation model was used to simulate an in situ conversion process for a tar sand containing formation. A heat injection rate was calculated using a separate numerical code (CFX). The heat injection rate was calculated at 500 watts per foot (1640 watts per meter). The 3-D simulation was based on a dilation-recompaction model for tar sands. A target zone thickness of 50 meters was used. Input data for the simulation were as follows:

15 Depth of target zone = 280 meters;
 Thickness = 50 meters;
 Porosity = 0.27;
 Oil saturation = 0.84;
 Water saturation = 0.16;
 20 Permeability = 1000 millidarcy;
 Vertical permeability versus horizontal permeability = 0.1;
 Overburden = shale; and
 Base rock = wet carbonate.

Six component fluids were used based on fluids found in Athabasca tar sands. The six component fluids were:
 25 heavy fluid; light fluid; gas; water; pre-char; and char. The spacing between wells was set at 9.1 meters on a triangular pattern. Eleven horizontal heaters with a 300 m heater length were used with heat outputs set at the previously calculated value of 1640 watts per meter.

FIG. 170 illustrates a plot of oil production (in cubic meters) versus time (in days) for various bottomhole pressures at a producer well. Plot 4742 illustrates oil production for a pressure of 1.03 bars absolute.
 30 Plot 4740 illustrates oil production for a pressure of 6.9 bars absolute. FIG. 170 demonstrates that increasing the bottomhole pressure will decrease oil production in a tar sand formation.

FIG. 171 illustrates a plot of a ratio of heat content of produced fluids from a reservoir against heat input to heat the reservoir versus time (in days). Plot 4752 illustrates the ratio versus time for heating an entire reservoir to a pyrolysis temperature. Plot 4752 illustrates the ratio versus time for allowing partial drainage in the reservoir
 35 into selected pyrolyzation section 4750. FIG. 171 demonstrates that allowing partial drainage in the reservoir tends to increase the heat content of produced fluids versus heating the entire reservoir, for a given heat input into the reservoir.

FIG. 172 illustrates a plot of weight percentage versus carbon number distribution for the simulation. Plot 4760 illustrates the carbon number distribution for the initial tar sand. The initial tar sand has an API gravity
 40 of 6°. Plot 4762 illustrates the carbon number distribution for in situ conversion of the tar sand up to a temperature of 350 °C. Plot 4762 has an API gravity of 30°. From FIG. 172, it can be seen that the in situ conversion process substantially increases the quality of oil found in the tar sands, as evidenced by the increased API gravity and the carbon number distribution shift to lower carbon numbers. The lower carbon number

distribution was also evidenced by the result showing that a majority of the produced fluid was produced as a vapor.

FIG. 102 illustrates a tar sand drum experimental apparatus used to conduct an experiment. Drum 3400 was filled with Athabasca tar sand and heated. All experiments were conducted using the system shown in FIG. 102 (see other description herein). Vapors were produced from the drum, cooled, separated into liquids and gases, and then analyzed. Two separate experiments were conducted, each using tar sand from the same batch, but the drum pressure was maintained at 1 bar absolute in one experiment (the low pressure experiment), and the drum pressure was maintained at 6.9 bars absolute in the other experiment (the high pressure experiment). The drum pressures were allowed to autogenously increase to the maintained pressure as temperatures were increased.

FIG. 173 illustrates mole % of hydrogen in the gases during the experiment (i.e., when the drum temperature was increased at the rate of 2 degrees Celsius per day). Line 4770 illustrates results obtained when the drum pressure was maintained at 1 bar absolute. Line 4772 illustrates results obtained when the drum pressure was maintained at 6.9 bars absolute. FIG. 173 demonstrates that a higher mole percent of hydrogen was produced in the gas when the drum was maintained at lower pressures. It is believed that increasing the drum pressure drove hydrogen into the liquids in the drum. The hydrogen will tend to hydrogenate heavy hydrocarbons.

FIG. 174 illustrates API gravity of liquids produced from the drum as temperature was increased in the drum. Line 4782 depicts results from the high pressure experiment and line 4780 depicts results from the low pressure experiment. As illustrated in FIG. 174, higher quality liquids were produced at the higher drum pressure. It is believed that higher quality liquids were produced because more hydrogenation occurred in the drum during the high pressure experiment (although the hydrogen concentration in the gas was less in the high pressure experiment, the drum pressures were significantly greater, and therefore the partial pressure of hydrogen in the drum was greater in the high pressure experiment).

Further modifications and alternative embodiments of various aspects of the invention may be apparent to those skilled in the art in view of this description. Accordingly, this description is to be construed as illustrative only and is for the purpose of teaching those skilled in the art the general manner of carrying out the invention. It is to be understood that the forms of the invention shown and described herein are to be taken as the presently preferred embodiments. Elements and materials may be substituted for those illustrated and described herein, parts and processes may be reversed, and certain features of the invention may be utilized independently, all as would be apparent to one skilled in the art after having the benefit of this description of the invention. Changes may be made in the elements described herein without departing from the spirit and scope of the invention as described in the following claims.

63293-3908H

CLAIMS:

1. A method for treating a hydrocarbon containing formation in situ and producing a hydrocarbon fluid from the formation, which method comprises pyrolysing hydrocarbons present in the formation during the production of the hydrocarbon fluid from the formation with the application of a pressure/temperature control; wherein the pressure is at least the pressure which is calculated for a selected temperature, or the temperature is at most the temperature which is calculated for a selected pressure from the equation:

$$P = 0.07 * e^{\frac{-A}{T + 273}} + B$$

- 10 wherein P is pressure, bar absolute, T is temperature, °C, and A and B are predetermined parameters, and wherein the value of A is in the range of from 5,000 up to 60,000, B is from 10 up to 90, and P is at most 72 bar absolute to control a property which is relevant to the quantity, the composition, the quality or both of the hydrocarbon fluids produced, and wherein a heat source is applied, which is configured for heating the hydrocarbon formation substantially by conductive heating.

2. A method for treating a hydrocarbon containing formation in situ and producing a hydrocarbon fluid from the formation, which method comprises pyrolysing hydrocarbons present in the formation during the production of the hydrocarbon fluid from the formation with the application of a pressure/temperature control, wherein the pressure is at least the pressure which is calculated for a selected temperature, or the temperature is at most the temperature which is calculated for a selected pressure from the equation:

$$P = 0.07 * e^{\frac{-A}{T + 273}} + B$$

- 25 wherein P is pressure (bar absolute), T is temperature (°C), and A and B are predetermined parameters, wherein the value of A is in the range of from 5,000 up to 60,000, the value of B is in the range of from 10 up to 90, and P is less than 70 bar to control a property which is relevant to the quantity, the composition or the

63293-3908H

quality of the hydrocarbon fluids produced, and wherein a heat source is applied which is configured to heat the formation by conductive heating.

3. A method as claimed in claim 1 or 2, wherein the hydrocarbon containing formation comprises a kerogen or heavy hydrocarbons.
- 5 4. A method as claimed in claim 3, wherein the kerogen is coal or oil shale, and the heavy hydrocarbon is a tar sand.
5. A method as claimed in any one of claims 1 to 4, wherein at least a substantial portion of hydrocarbons present in the formation are pyrolysed by heating at a temperature below 450°C.
- 10 6. A method as claimed in claim 5, wherein at least a substantial portion of hydrocarbons present in the formation are pyrolysed by heating at a temperature in the range of from 250°C to 400°C.
7. A method as claimed in claim 6, wherein at least a substantial portion of hydrocarbons present in the formation are pyrolysed by heating at a
- 15 temperature in the range of from 260°C to 375°C.
8. A method as claimed in any one of claims 1 to 7, wherein the pressure is at least 1.4 bar and wherein if the pressure is 3.52 bar and the pyrolysis takes place at a temperature up to 301.7°C a heating source is applied other than a heating source which solely provides radio frequency heating.
- 20 9. The method as claimed in claim 1, which method comprises pyrolysing hydrocarbons present in the formation during the production of the hydrocarbon fluid from the formation with the application of a pressure/temperature control, and in the presence of hydrogen at a partial pressure of hydrogen of at least 0.5 bar.
- 25 10. The method of claim 9, wherein the partial pressure of hydrogen is in the range of from 1 bar to 10 bar.
11. A method as claimed in claim 10, wherein the partial pressure of hydrogen is in the range of from 5 bar to 7 bar.

63293-3908H

12. A method as claimed in any one of claims 1 to 11, wherein A equals 14,000 and B equals 25.
13. A method as claimed in any one of claims 1 to 11, wherein A equals 24,146 and B equals 43.349.
- 5 14. A method as claimed in any one of claims 1 to 10, wherein A equals 30,864 and B equals 50.676.
15. A method as claimed in any one of claims 1 to 10, wherein A equals 16,947 and B equals 33.603.
- 10 16. A method as claimed in any one of claims 1 to 10, wherein A equals 57,379 and B equals 83.145.
17. A method as claimed in any one of claims 1 to 10, wherein A equals 54,928 and B equals 14.234.
18. A method as claimed in any one of claims 1 to 10, wherein A equals 38,360 and B equals 60.531.
- 15 19. A method as claimed in any one of claims 1 to 10, wherein A equals 66,131 and B equals 16.364.
20. A method as claimed in any one of claims 1 to 10, wherein A equals 28,554 and B equals 47.084.
21. A method as claimed in any one of claims 1 to 10, wherein A
20 equals 11,118 and B equals 23.156.
22. A method as claimed in any one of claims 1 to 21, wherein subsequent to the step of treating at least part of the formation by pyrolysis at least part of the treated hydrocarbon containing formation is reacted with a synthesis gas generating fluid to produce a synthesis gas.
- 25 23. A method as claimed in claim 22, wherein the synthesis gas is converted into hydrocarbons.

63293-3908H

24. A method for producing synthesis gas which method comprises: providing a hydrocarbon containing formation which is treated according to the method according to any one of claims 1 to 21; and subsequently reacting at least part of the treated hydrocarbon containing formation with a synthesis gas
5 generating fluid.
25. A method for producing hydrocarbons comprising providing a synthesis gas which synthesis gas has been produced according to claim 24, and converting the synthesis gas into hydrocarbons.
26. A method as claimed in claim 23 or 25, wherein the synthesis gas is
10 converted into paraffins by a Fischer-Tropsch hydrocarbon synthesis process and the paraffins are converted in a hydrocracker.
27. A method of producing energy comprising providing a synthesis gas which synthesis gas has been produced according to the method of claim 22 or 24, and expanding, combusting or both the synthesis gas, or using the
15 synthesis gas in a fuel cell.
28. A system for use in the method according to any one of claims 1 to 21, the system comprising one or more heat injection wells and one or more hydrocarbon fluid production wells which are each located at one or more selected distances from said one or more heat injection wells and which are provided with
20 pressure control devices which are adapted to maintain an elevated fluid pressure, P, in a heated part of the formation between one or more heat injection wells and one or more production wells, wherein the heat injection wells and pressure control devices are controlled such that the pressure is at least the pressure which is calculated for a selected temperature, or the temperature is at most the
25 temperature which is calculated for a selected pressure from the equation:

$$P = 0.07 * e^{\frac{-A}{T + 273}} + B$$

wherein P, T, A and B are as defined in any one of claims 1 to 21.

63293-3908H

29. The system of claim 28, wherein each hydrocarbon fluid production well is provided with a pressure control device which maintains the pressure within at least part of the wellbore of the production well at a pre-set value which is determined in relation to an assessed temperature in the pyrolysis zone from which in use pyrolysed hydrocarbon fluids flow through the formation into the wellbore of the production well.
30. The system of claim 28, wherein a plurality of heat injection wells are located at one or more selected distances and in a substantially triangular pattern around each production well.
- 10 31. The system of claim 28, wherein at least one of the heat injection and production wells is drilled substantially parallel to the upper and lower boundaries of the hydrocarbon bearing formation.
- 15 32. The system of claim 28, wherein at least one of the heat injection and production wells is drilled substantially orthogonal to the upper and lower boundaries of the hydrocarbon bearing formation.
33. The system of claim 28, wherein at least one of the heat injection wells comprises:
- an oxidizing fluid supply conduit to provide an oxidizing fluid from an oxidizing fluid source to a reaction zone in the formation during use, and wherein
- 20 the oxidizing fluid is selected to oxidize at least a portion of the hydrocarbons in the formation in the vicinity of the wellbore zone during use such that heat is generated at the reaction zone; and
- a combustion gases exhaust conduit for venting combustion gases from the reaction zone to the earth surface to allow heat to transfer substantially by
- 25 conduction from the reaction zone to a selected section of the formation during use.
34. The system of claim 33, wherein the oxidant injection and combustion gases exhaust conduits are equipped with pressure regulation devices which control the pressure in the heater well such that at least a

63293-3908H

substantial part of the combustion gases generated at the reaction zone are vented to the earth surface through the combustion gases exhaust conduit.

35. The system of claim 33 or 34, wherein the oxidant injection conduit and the combustion gases exhaust conduit extend co-axially to each other from a wellhead of the heater well into the hydrocarbon bearing formation, the oxidant injection conduit protrudes from the lower end of the combustion gases exhaust conduit through a reaction zone traversing the hydrocarbon bearing formation and the protruding lower part of the oxidant injection conduit is equipped with an array of oxidant injection orifices for injecting oxidant into an annular space between the oxidant injection conduit and the reaction zone.

36. The system of any one of claims 28 to 35, wherein at least one heater well comprises an electric heater.

37. The system of claim 36, wherein the electric heater comprises:
a mineral insulated cable disposed within an uncased section of the wellbore of the heater well which extend through the hydrocarbon containing formation, wherein the mineral insulated cable is configured to provide radiant heat to at least a portion of the formation during use; and

wherein the system is configured to allow heat to transfer from the mineral insulated cable to a section of the formation during use.

38. The system of claim 37, wherein the mineral insulated cable comprises a conductor comprising a copper-nickel alloy, which conductor is disposed in an insulating mineral material which comprises magnesium oxide, other mineral grain particles or a combination thereof which are disposed in a sheath comprising a corrosion-resistant material.

39. The system of claim 36, wherein the electric heater comprises a first electrical conductor disposed in a first conduit which is disposed within the heater well.

63293-3908H

40. The system of claim 39, further comprising a sliding electrical connector coupled to the first conductor, the first conduit or both and wherein a fluid is disposed within the first conduit, wherein the fluid is configured to maintain a pressure within the first conduit to substantially prevent deformation of the first
5 conduit during use.
41. The system of claim 39, further comprising a tube disposed within an annular opening external to the first conduit, wherein the tube is configured to remove vapour produced from at least the heated portion of the formation such that a pressure balance is maintained between the first conduit and the opening to
10 substantially prevent deformation of the first conduit during use.
42. The system of claim 36, wherein the electric heater comprises at least one elongate electrical conductor member, which is arranged in an at least partly uncased section of the heater well.
43. The system of claim 42, wherein a fluid supply conduit is disposed
15 within the heater well for injecting a cleaning fluid at the surface of the electrical conductor member to inhibit deposition of combustion products on or proximate to at least the one elongate electrical conductor member during use.
44. The system of claim 43, wherein the cleaning fluid is air.
45. The system of claim 43 or 44, wherein the elongate electrical
20 conductor member is supported by the fluid supply conduit by a series of insulated centralizers and the conduit comprises a series of fluid injection orifices adjacent to the elongate electrical conductor member.
46. The system of any one of claims 28 to 45, wherein the electrical heaters, other heaters or both in at least one of the heater wells are configured to
25 generate during use an accumulated radiant heat of between 0.5 and 1.5 KW per meter length of the relevant heater well.
47. A pyrolysis product obtainable by the process as claimed in any one of claims 1 to 21, the product comprising less than 10% by weight of olefins and having an average carbon number less than 35, wherein the product comprises

63293-3908H

condensable hydrocarbons having an elemental nitrogen content less than 1% by weight of the condensable hydrocarbons, an aromatics content greater than 20% by weight of the condensable hydrocarbons or both.

48. The pyrolysis product of claim 47, comprising condensable
5 hydrocarbons having an elemental nitrogen content less than 1%; an elemental oxygen content less than 1%; and an elemental sulfur content less than 1%.

49. The pyrolysis product of claim 47, comprising condensable
hydrocarbons having an elemental nitrogen content less than 1% by weight on a
dry basis; an elemental oxygen content less than 1% by weight on a dry basis;
10 and an elemental sulfur content less than 1% by weight on a dry basis.

50. The pyrolysis product of claim 47, having an average carbon number
less than 30.

51. The pyrolysis product of claim 50, having an average carbon number
less than 25.

15 52. The pyrolysis product of claim 47, comprising a non-condensable
component comprising hydrocarbons having carbon numbers of less than 5; and
wherein a weight ratio of hydrocarbons having carbon numbers from 2 through 4
to methane is greater than 1.

53. The pyrolysis product of claim 47, having an ammonia-containing
20 component, wherein a weight percentage of the ammonia-containing component
in the product is greater than 0.5%.

54. The pyrolysis product of claim 52, comprising a condensable
component, wherein an olefin content of the condensable component is less
than 9% by weight of the condensable component.

25 55. The pyrolysis product of claim 47, comprising a hydrocarbon
component, wherein less than 5 weight % of compounds within the hydrocarbon
component have a carbon number greater than 20.

63293-3908H

56. The pyrolysis product of claim 54, wherein an aromatic content of the condensable component is more than 30% by weight of the condensable component.

57. The pyrolysis product of claim 47, comprising:

5 hydrocarbons comprising 1, 2, 3, or 4 carbon atoms, or mixtures thereof, and wherein the weight ratio of C₂₋₄ to methane is greater than 1, wherein C₂₋₄ is defined as the sum of the hydrocarbons containing 2, 3, and 4 carbon atoms; and

a water content greater than 0.1% by weight;

10 a hydrogen sulphide content of less than 1.5% by weight;

a H₂ content less than 20% by weight;

an olefin content less than 10% by weight; and

a condensable component, wherein an aromatic content of the condensable component is more than 30% by weight.

15 58. The pyrolysis product of claim 47, comprising:

a hydrocarbon component, wherein less than 5% of compounds within the hydrocarbon component have a carbon number greater than 20;

a water content greater than 0.1% by weight;

a hydrogen sulphide content less than 1.5% by weight;

20 a H₂ content less than 20% by weight;

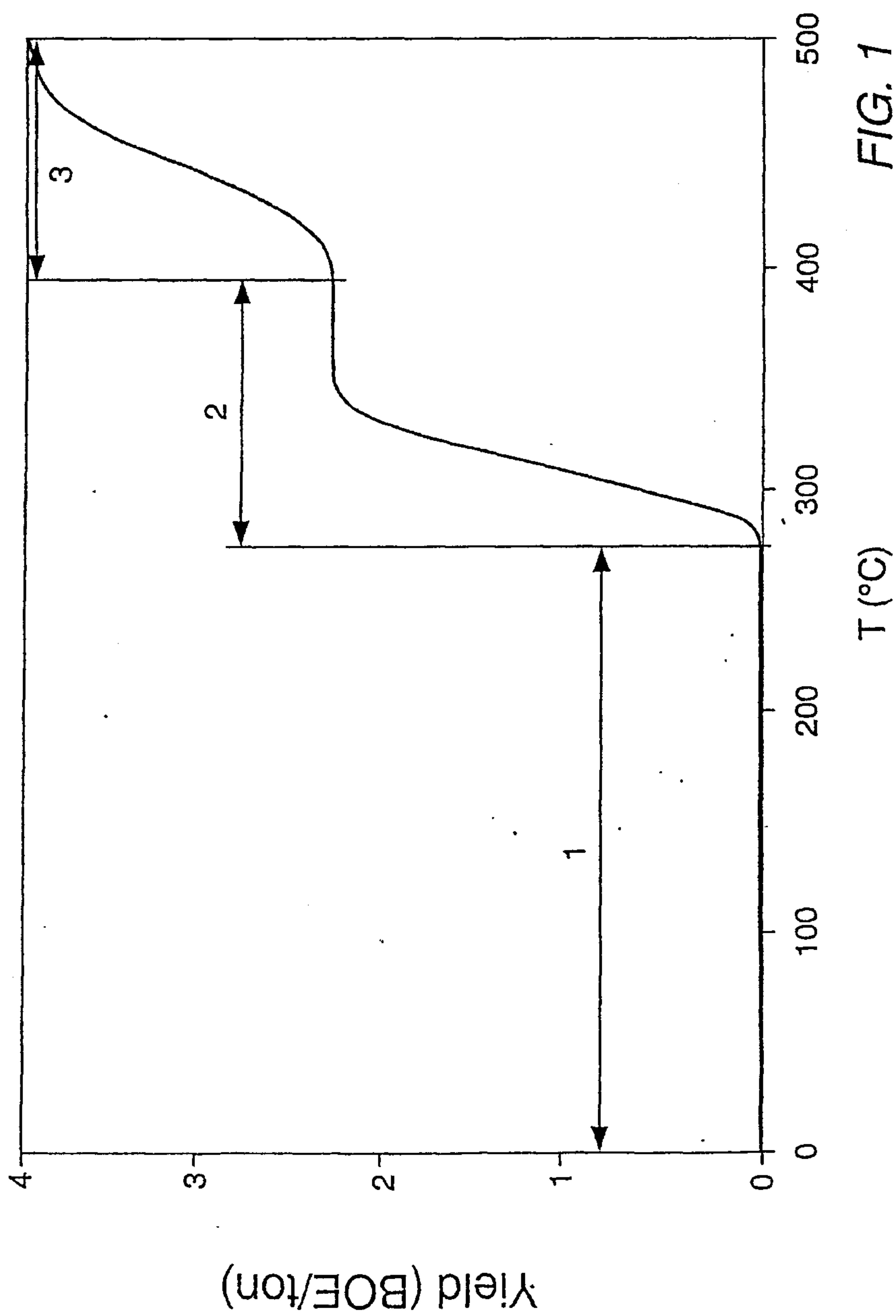
an olefin content less than 10% by weight; and

a condensable component, wherein an aromatic content of the condensable component is more than 30% by weight.

63293-3908H

59. The pyrolysis product of claim 47, comprising a condensable component having an olefin content between 0.1% and 5% by weight of condensable component; and a naphthalene content of the hydrocarbon liquid from 0% to 0.1% by weight of the condensable component.
- 5 60. The pyrolysis product of claim 47, comprising a condensable fluid which comprises a weight percentage of olefins in a range of 0.1% to 2%; and a weight percentage of tri-aromatics of less than 2%.
61. The pyrolysis product of claim 47, comprising:
a weight percentage of H₂ greater than 10%;
10 a weight percentage of ammonia greater than 0.5%; and
a weight ratio of hydrocarbons having greater than 2 carbon atoms to methane is greater than 0.4.
62. The pyrolysis product of any one of claims 47 to 61, wherein the pyrolysis product is obtained by the method as claimed in any one of claims 1
15 to 21.

SMART & BIGGAR
OTTAWA, CANADA
PATENT AGENTS



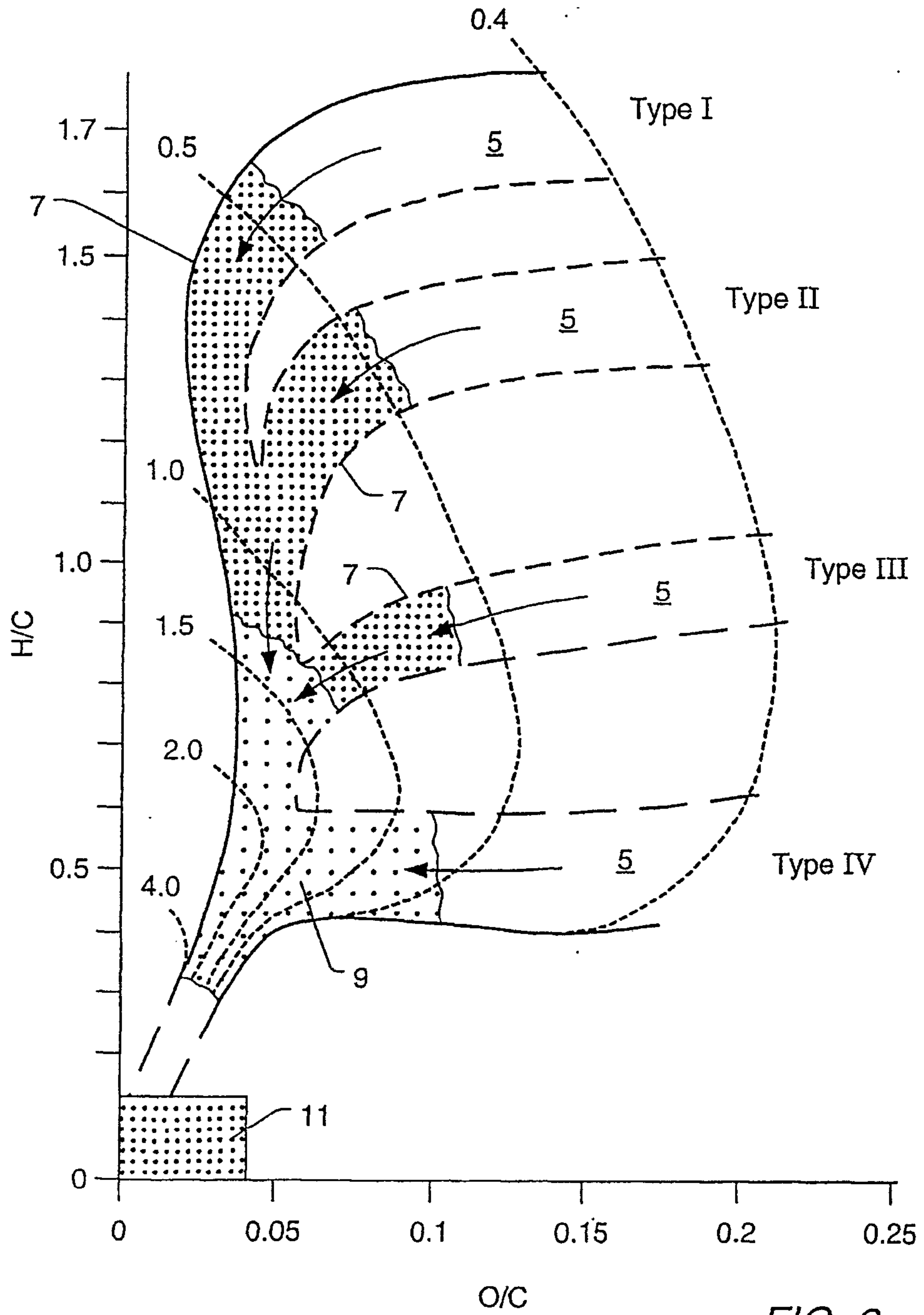
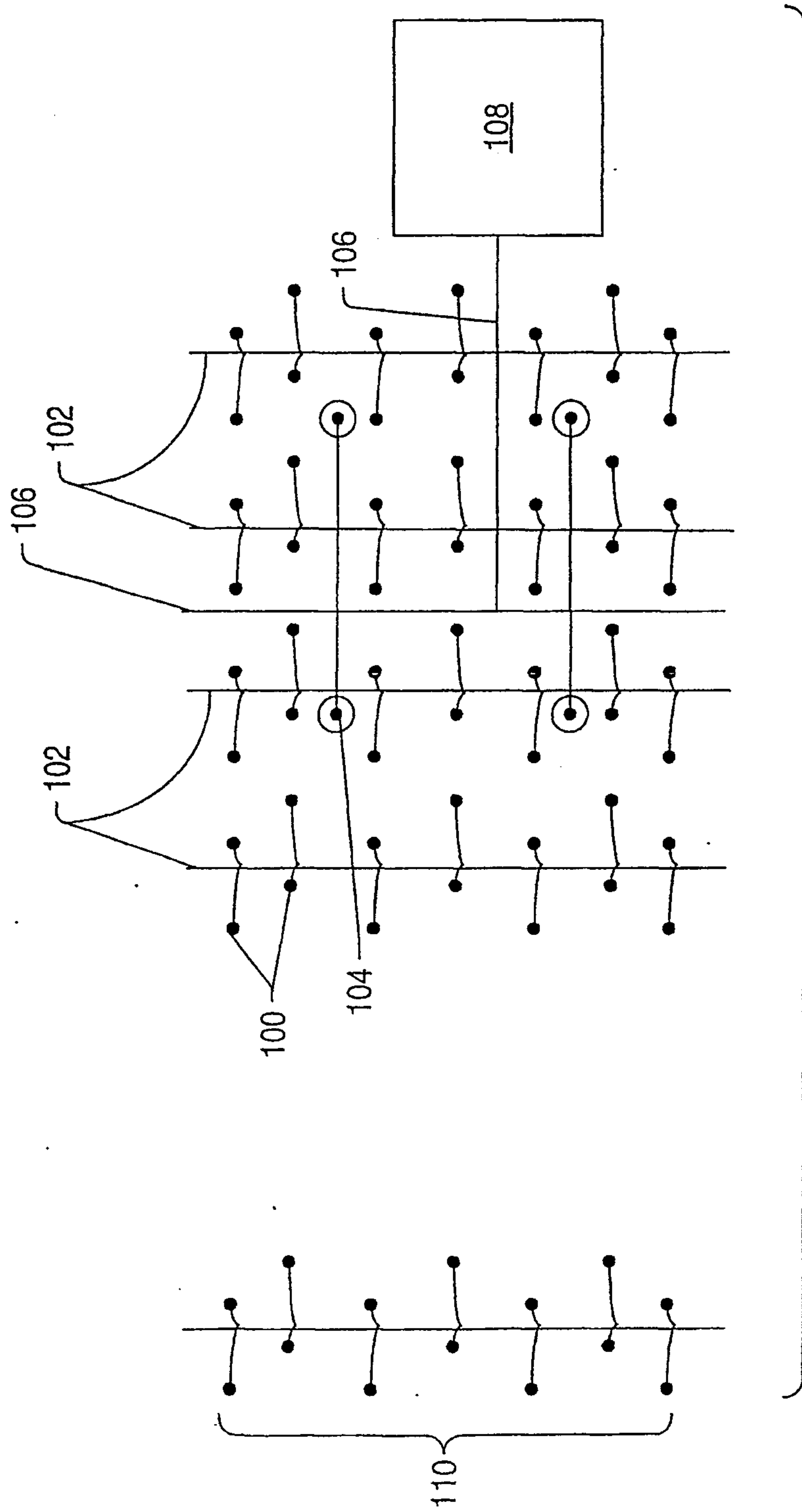


FIG. 2



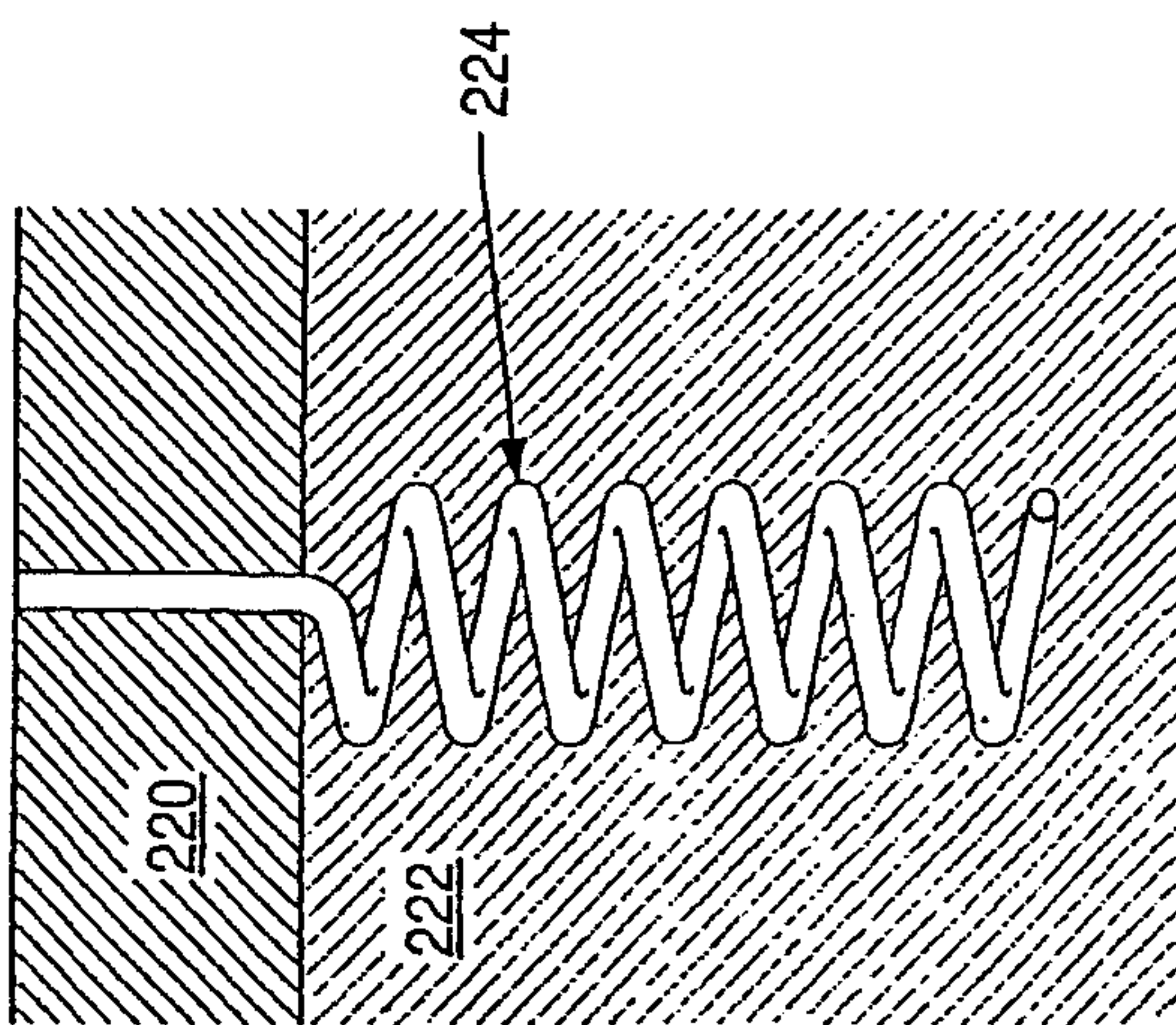


FIG. 3a

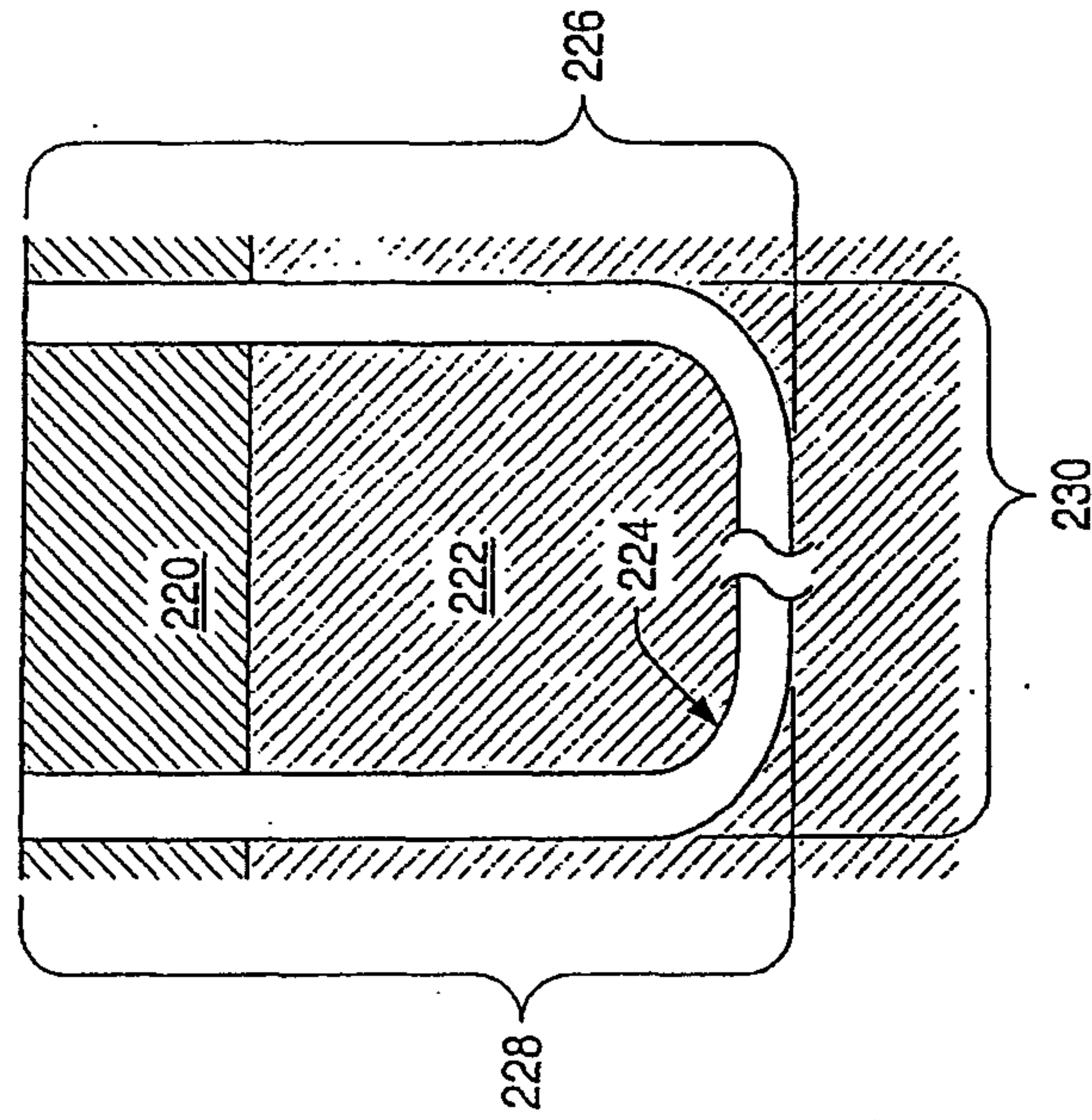


FIG. 3b

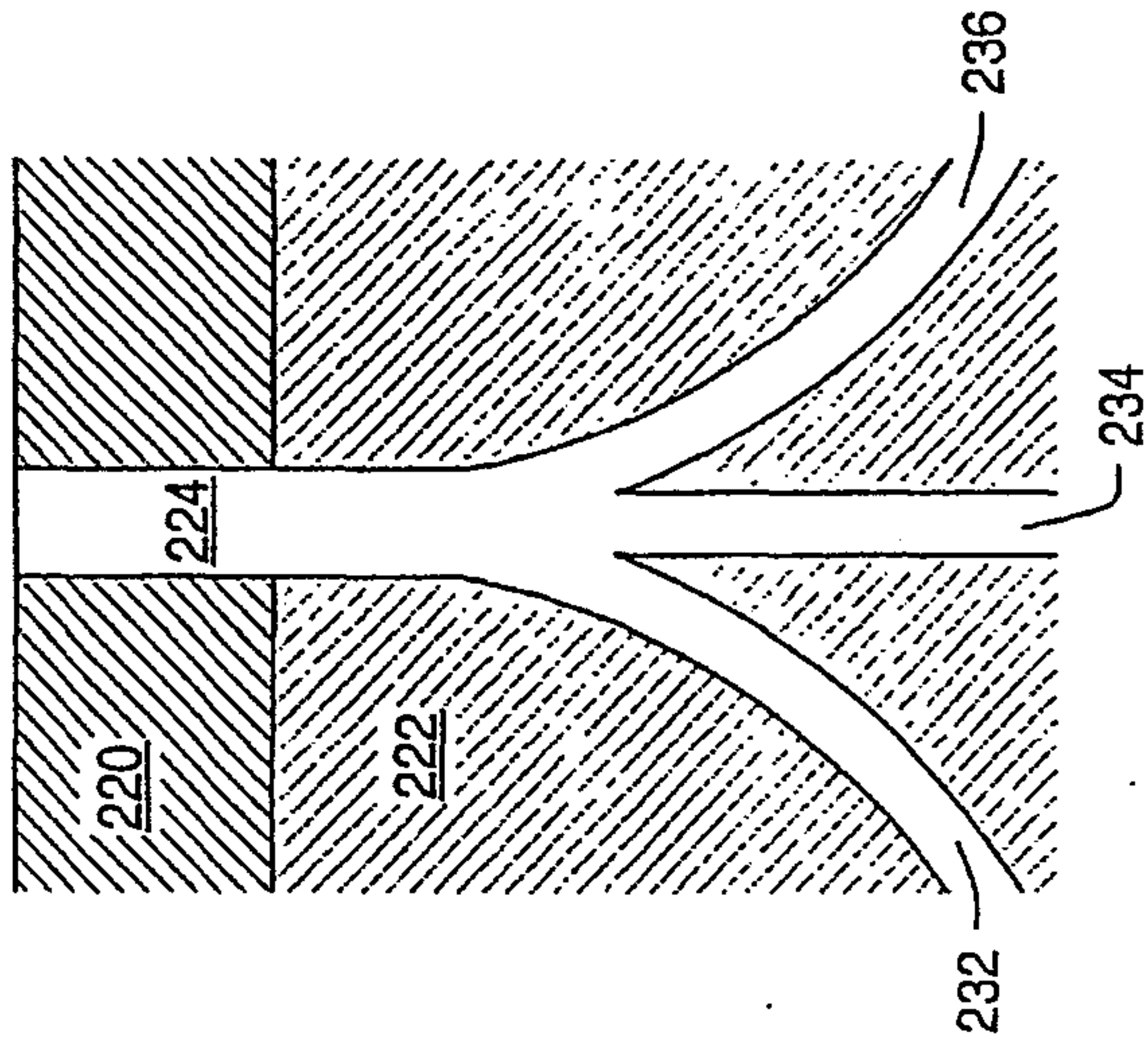


FIG. 3c

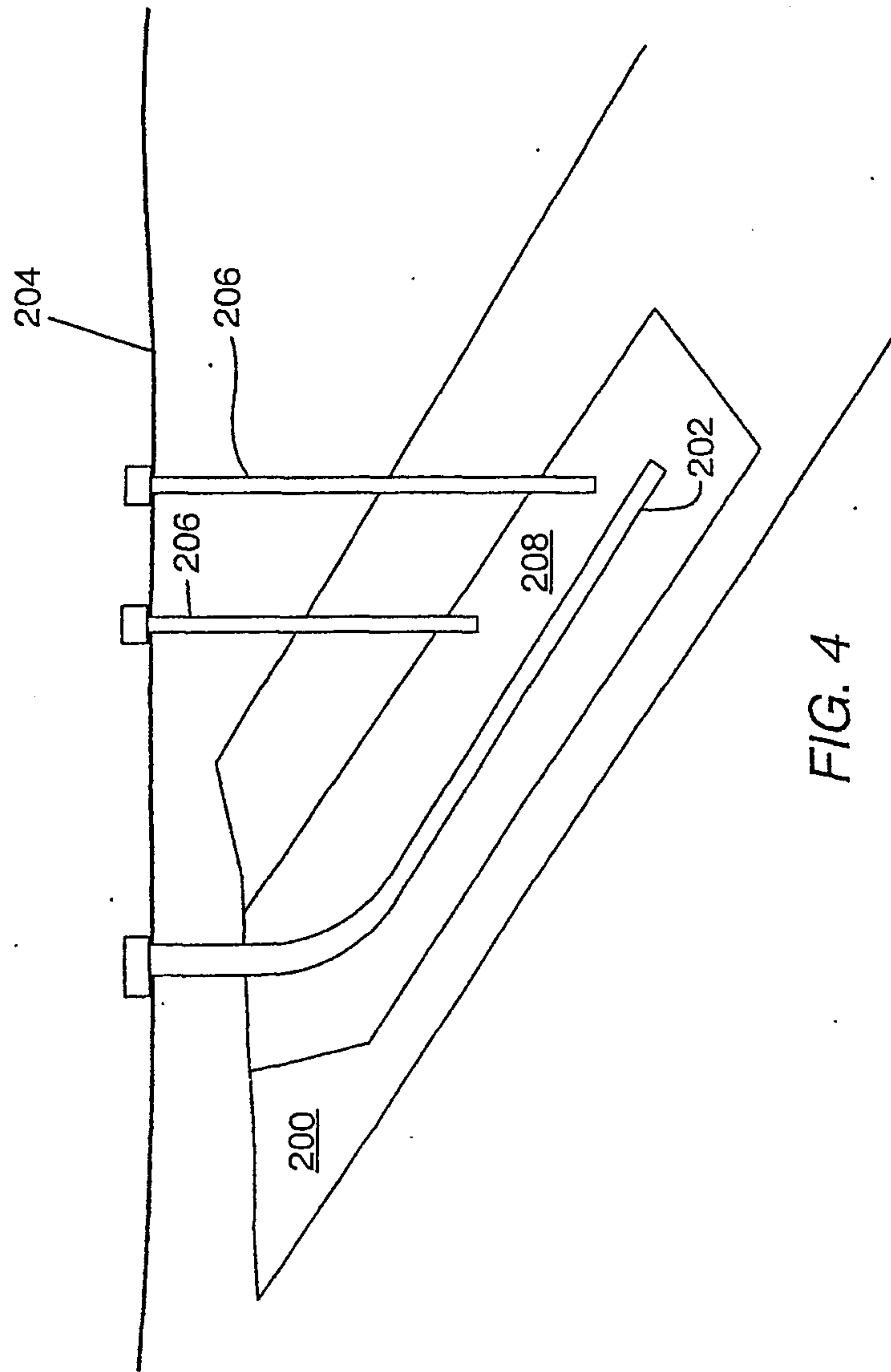
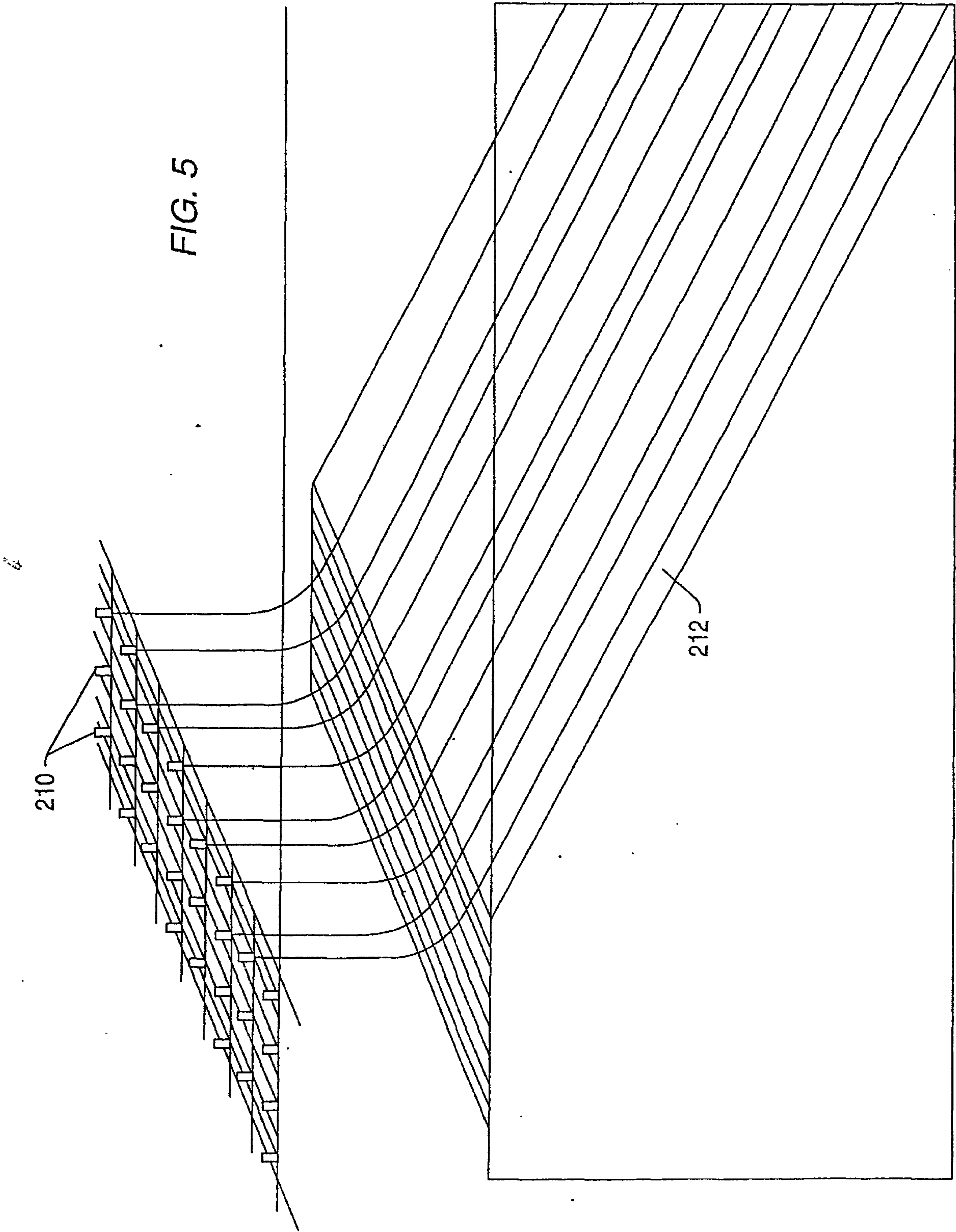


FIG. 4

FIG. 5



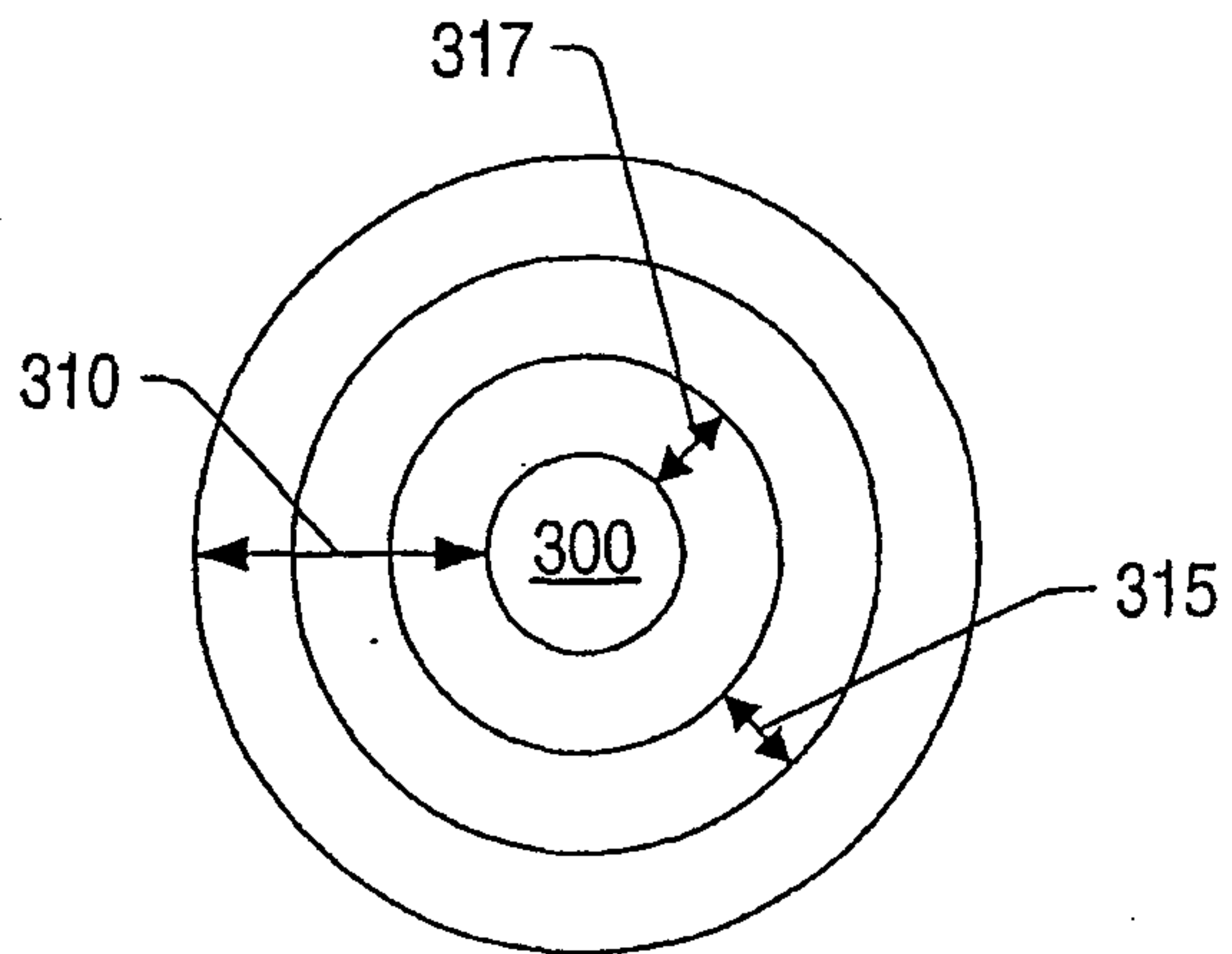


FIG. 6

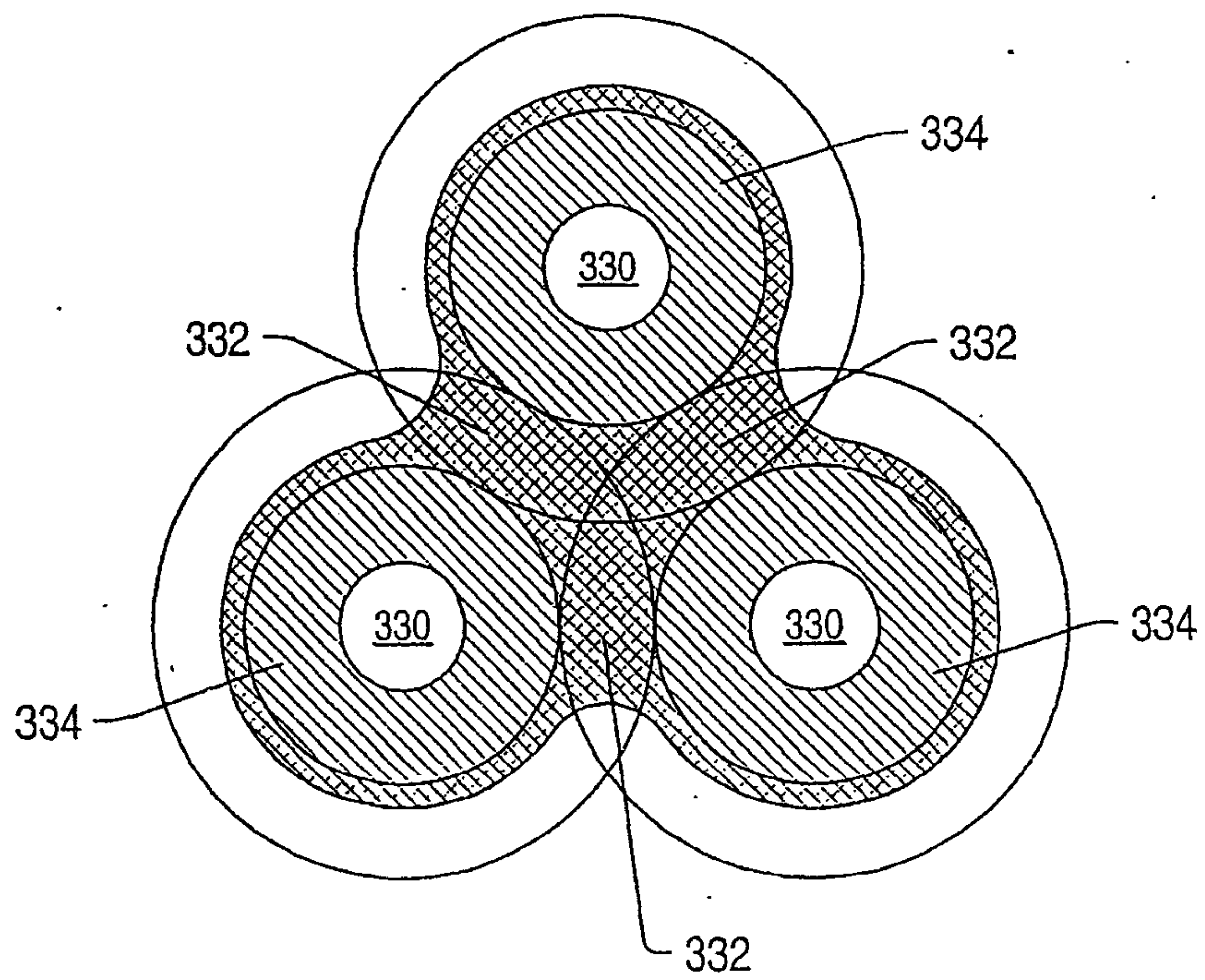


FIG. 7

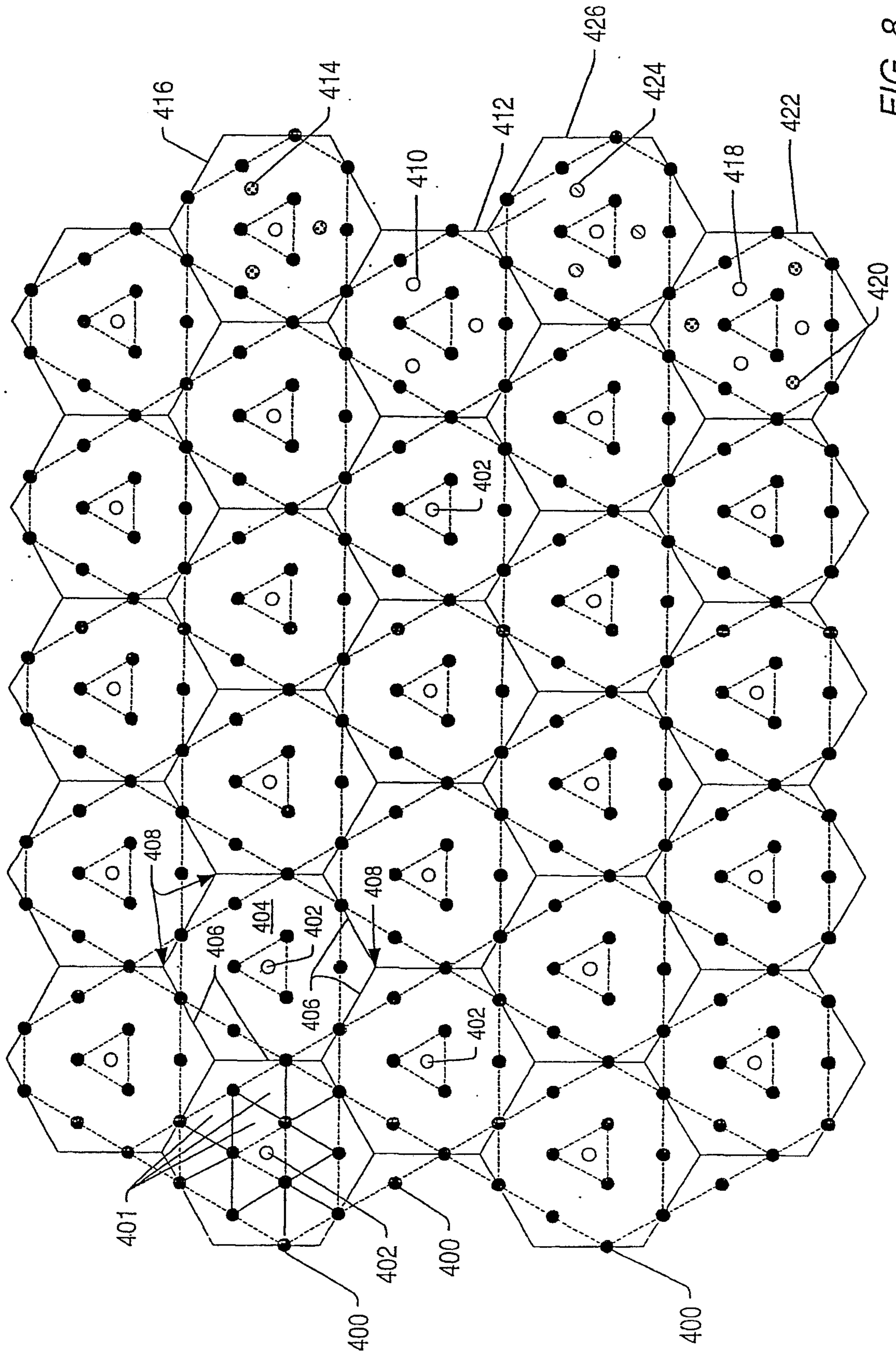


FIG. 8

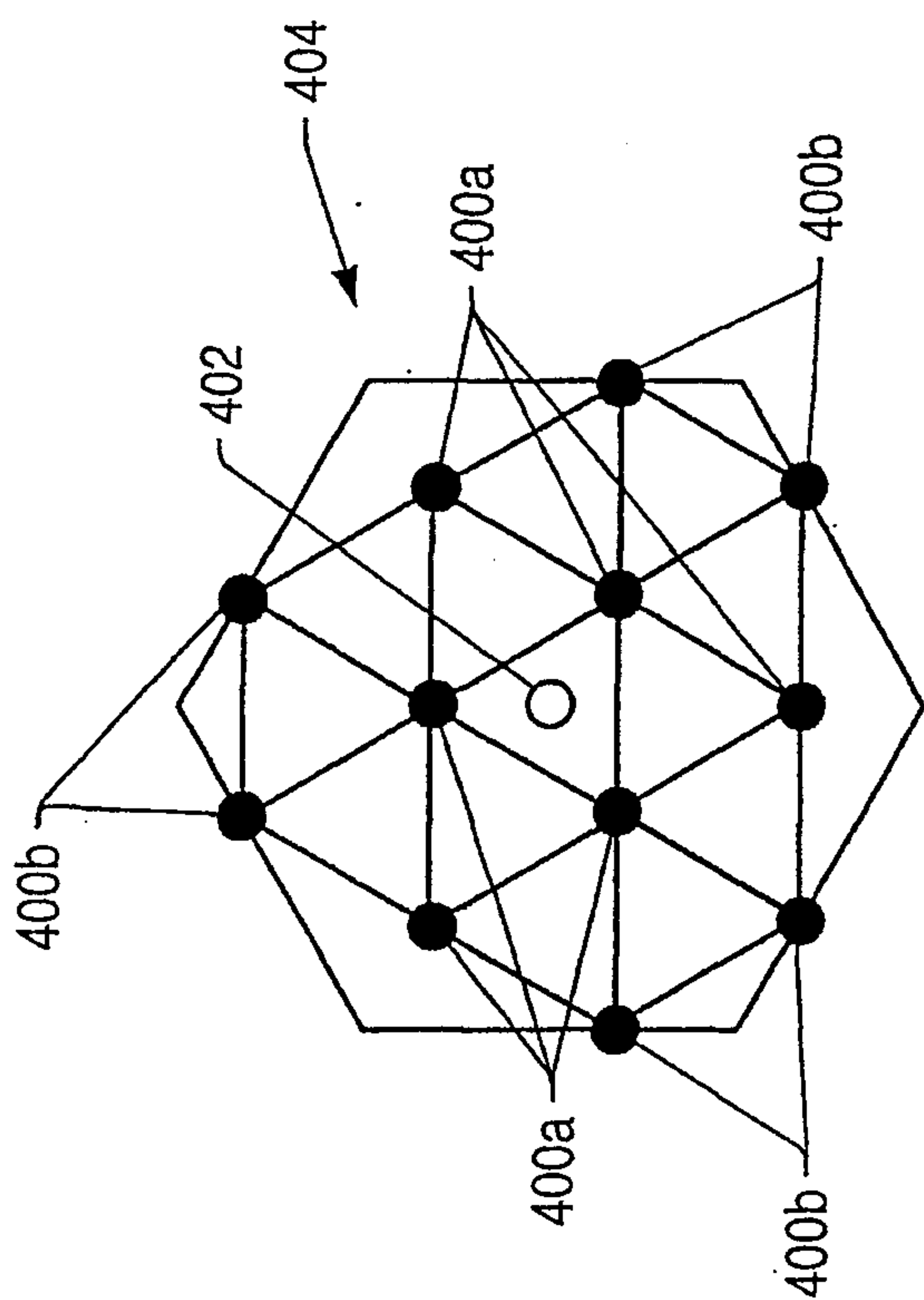


FIG. 9

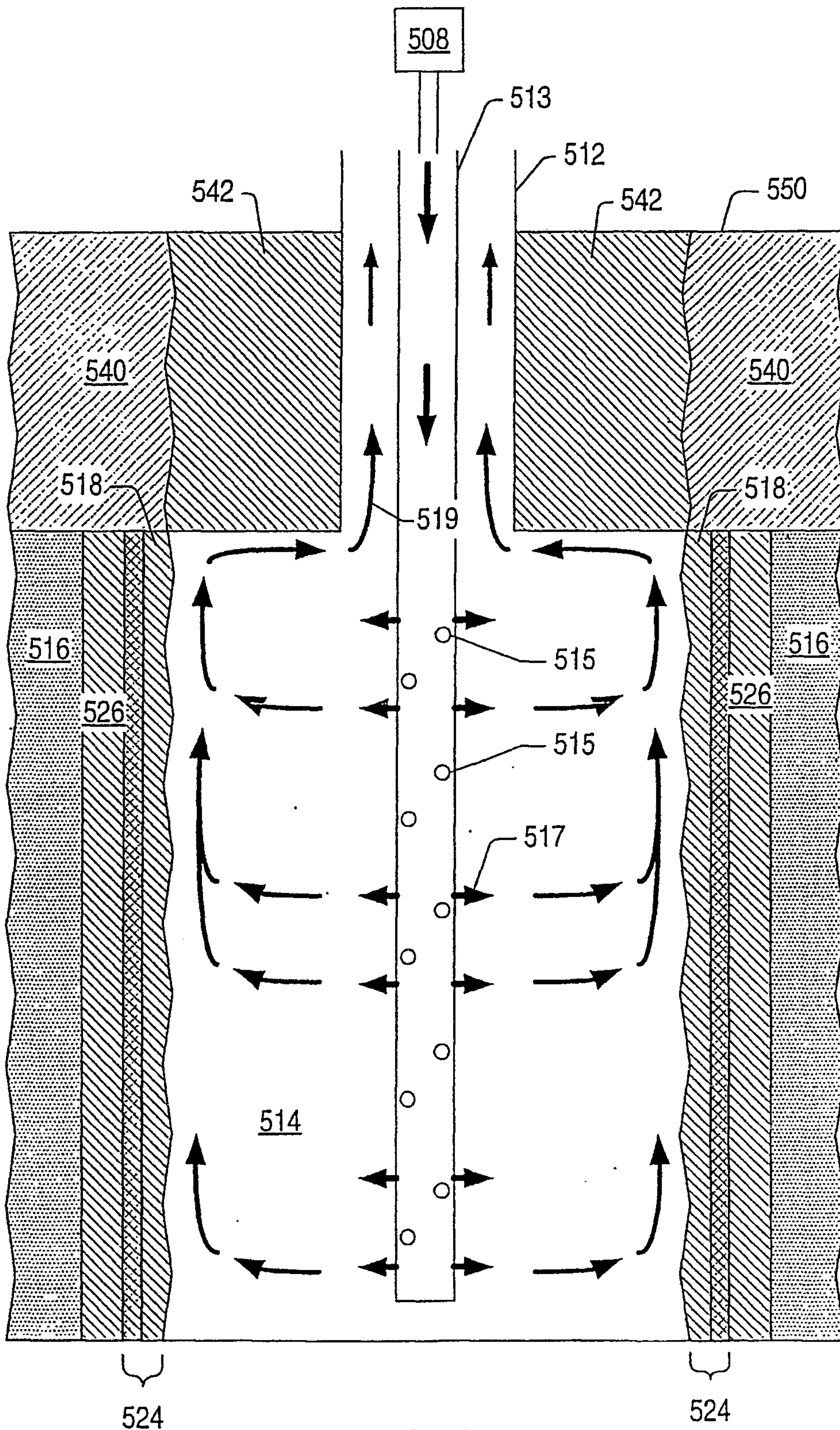


FIG. 10

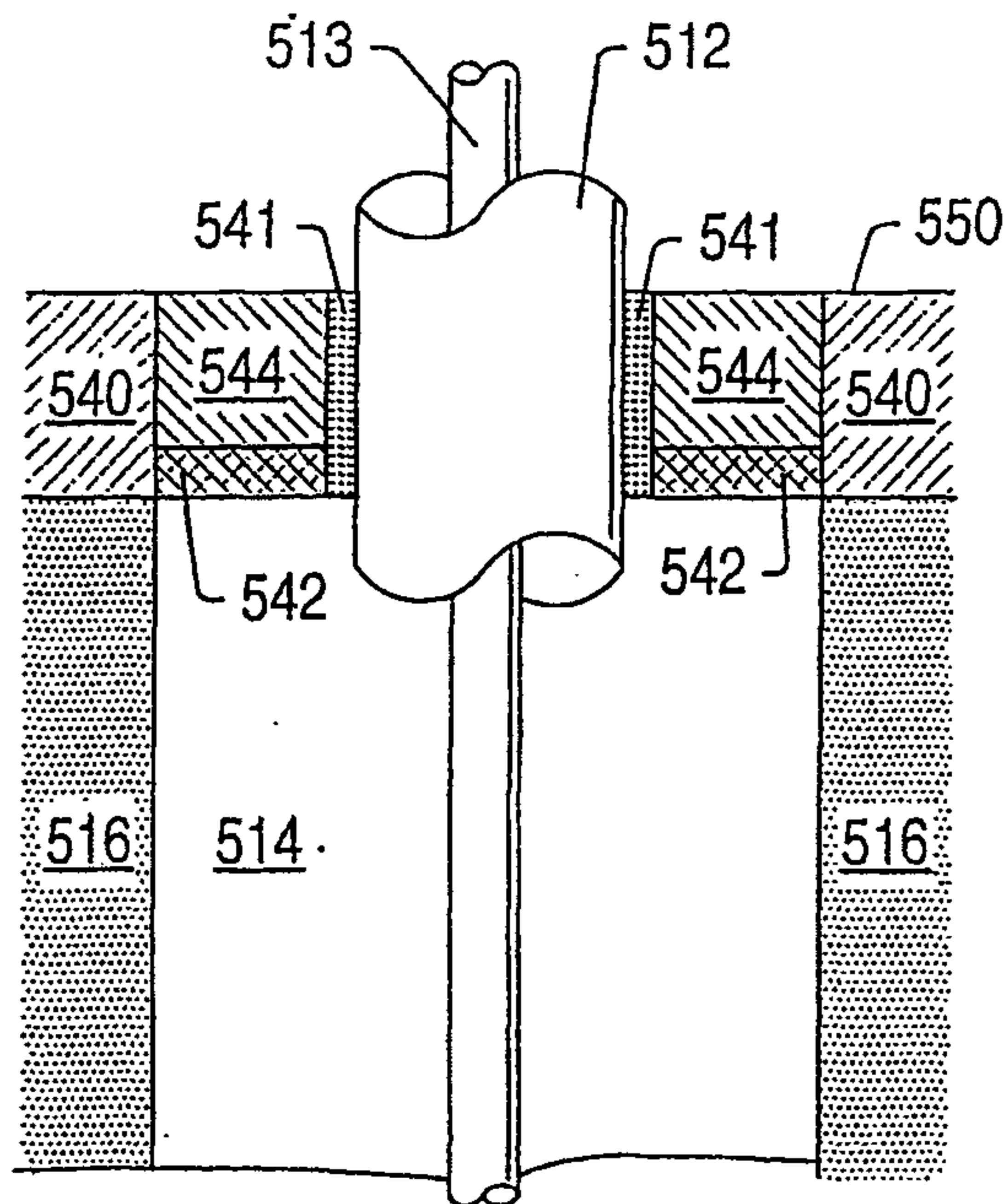


FIG. 11

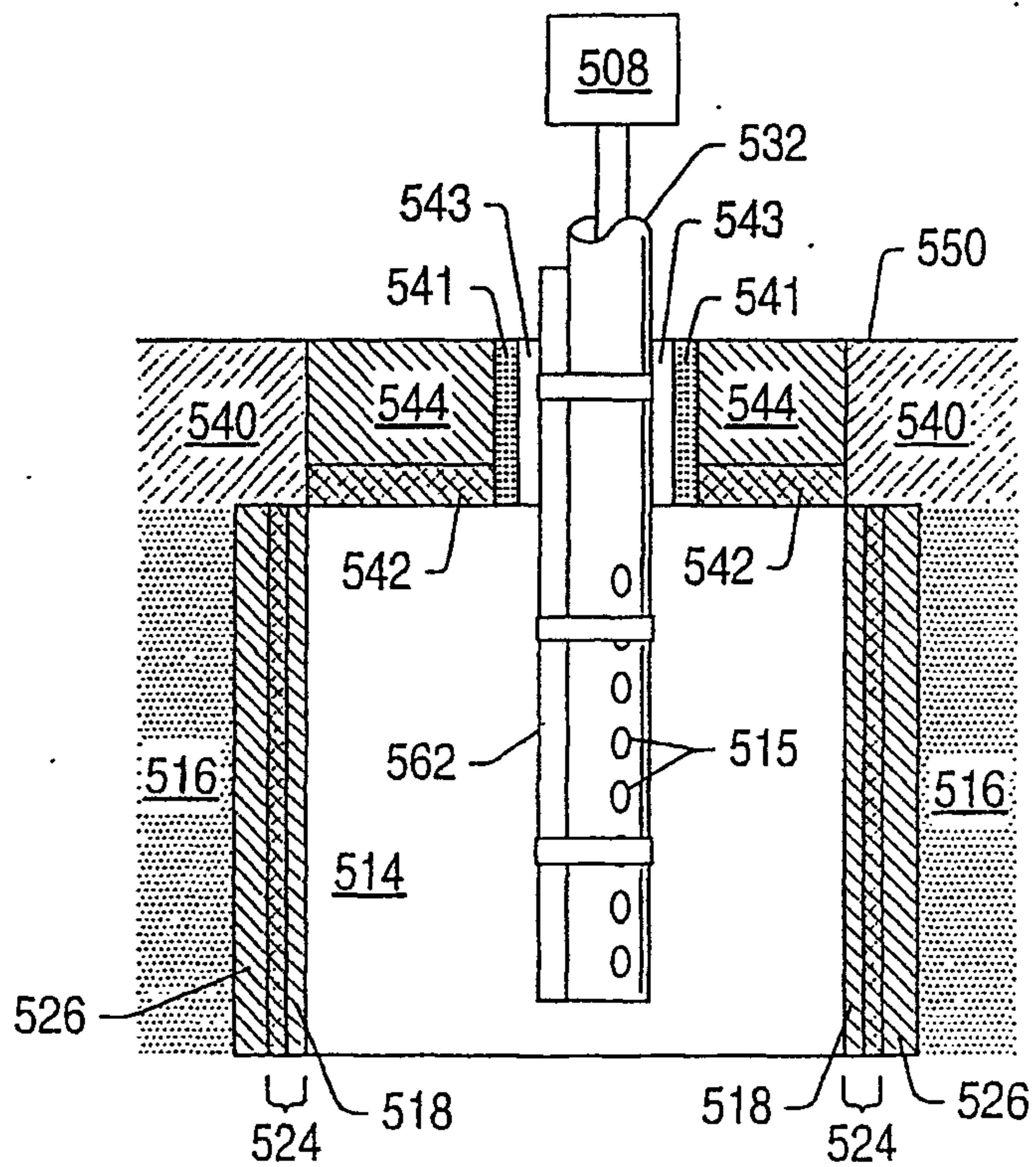


FIG. 12

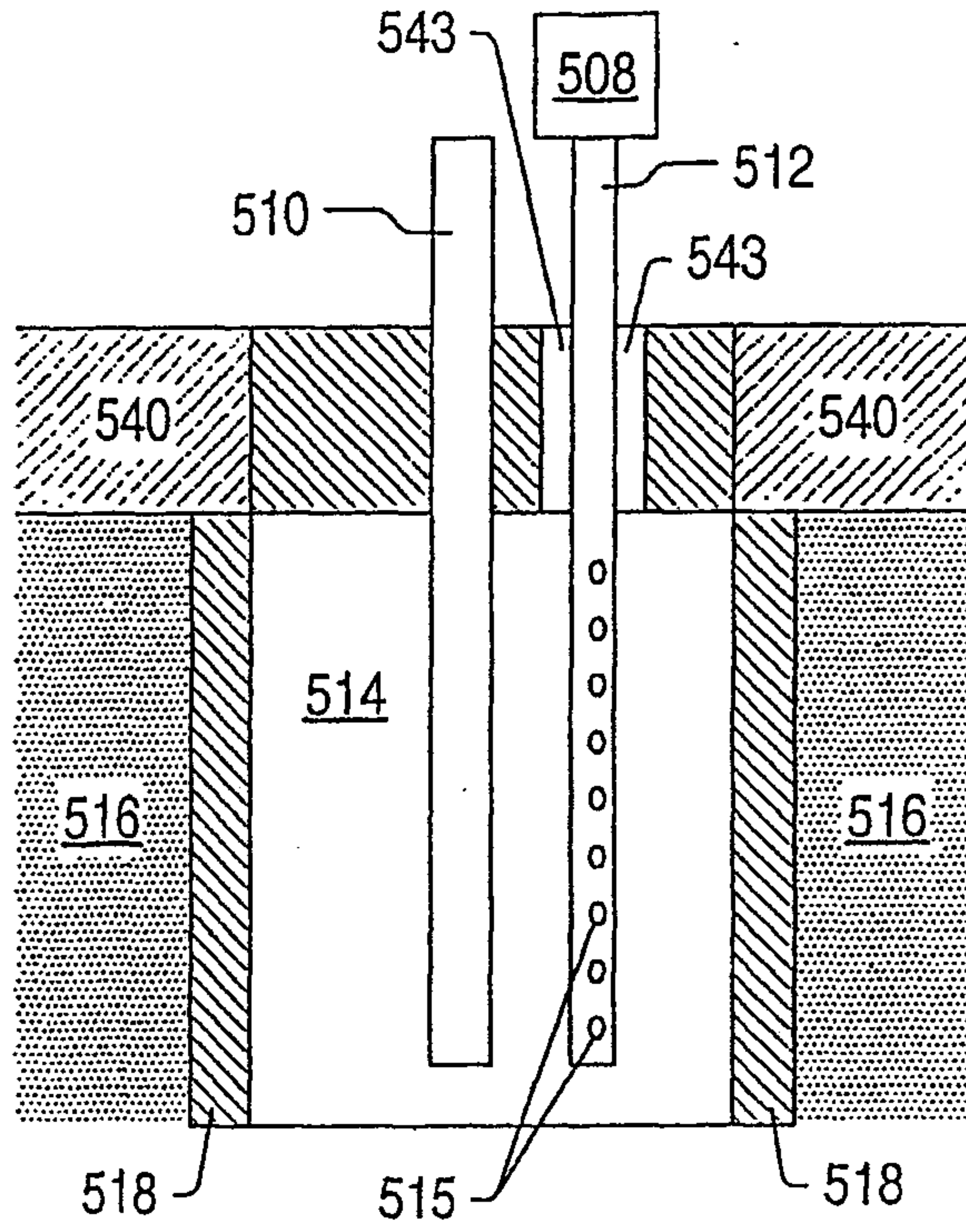


FIG. 14

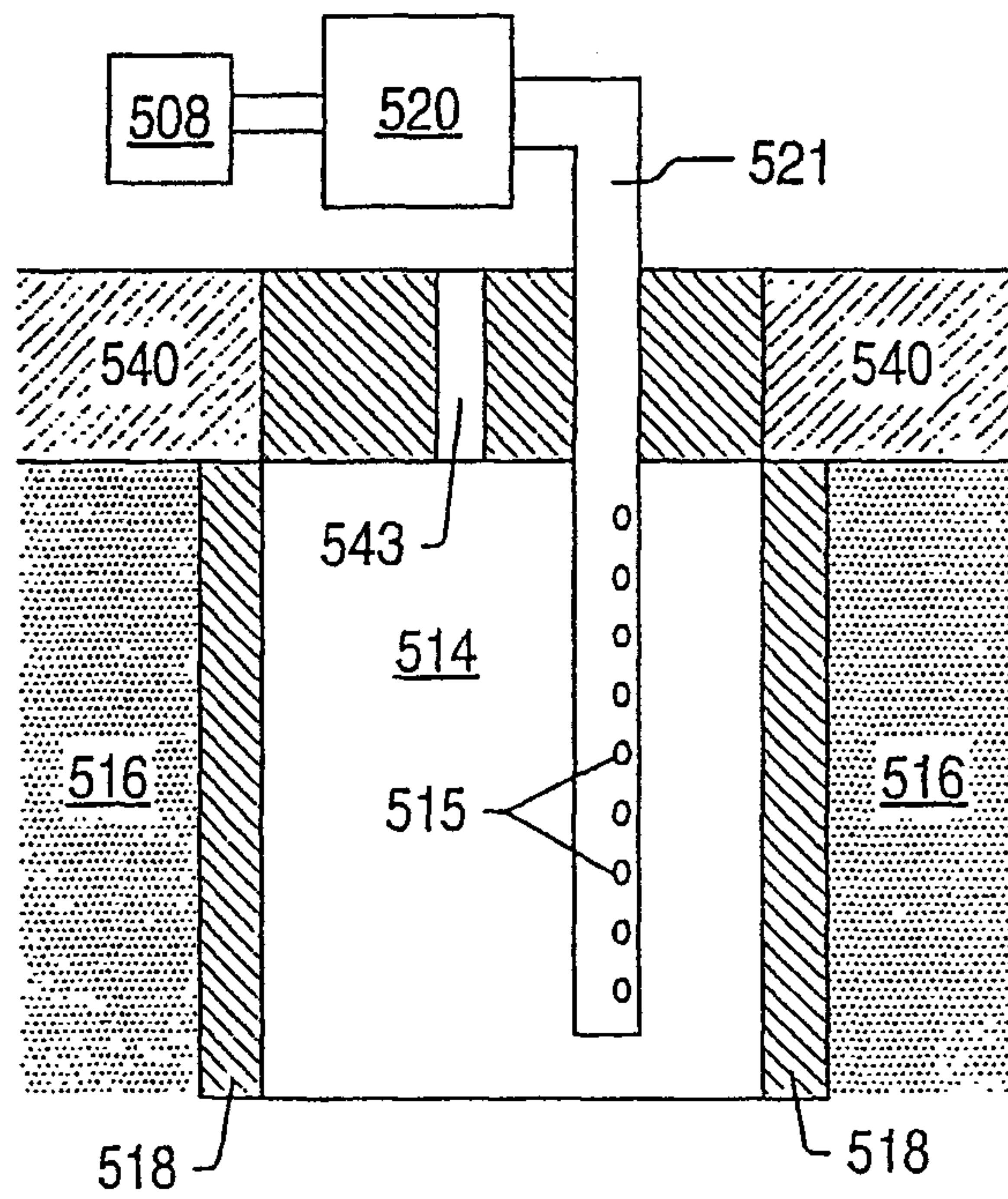


FIG. 15

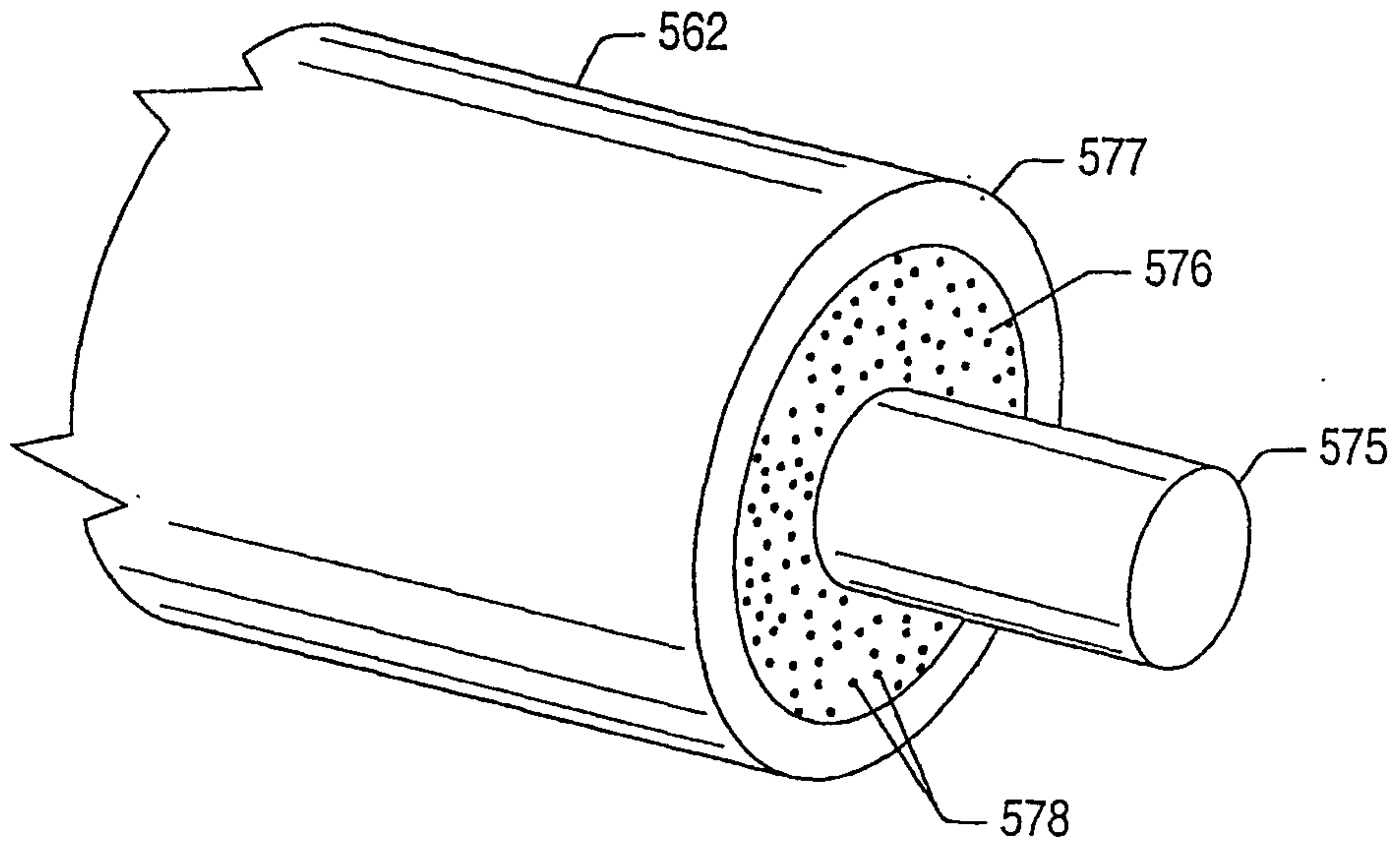


FIG. 16

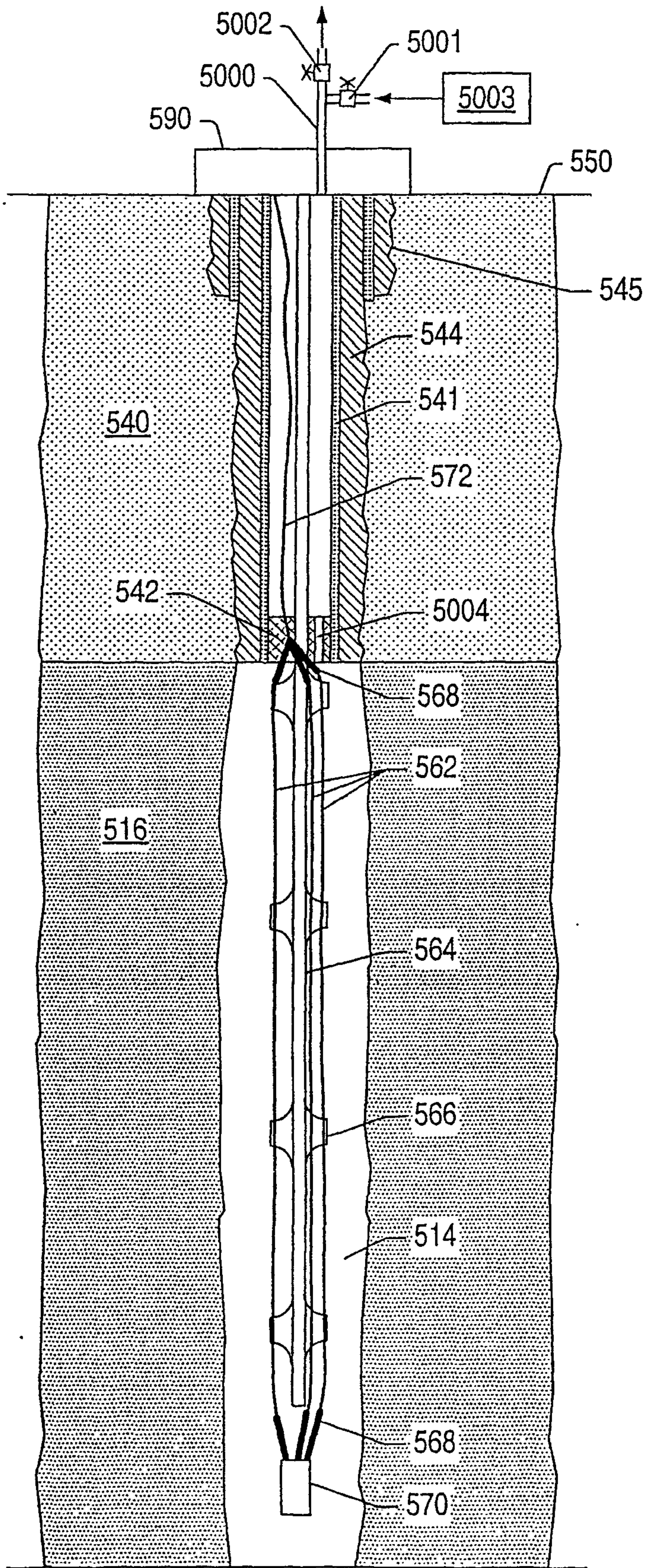


FIG. 17

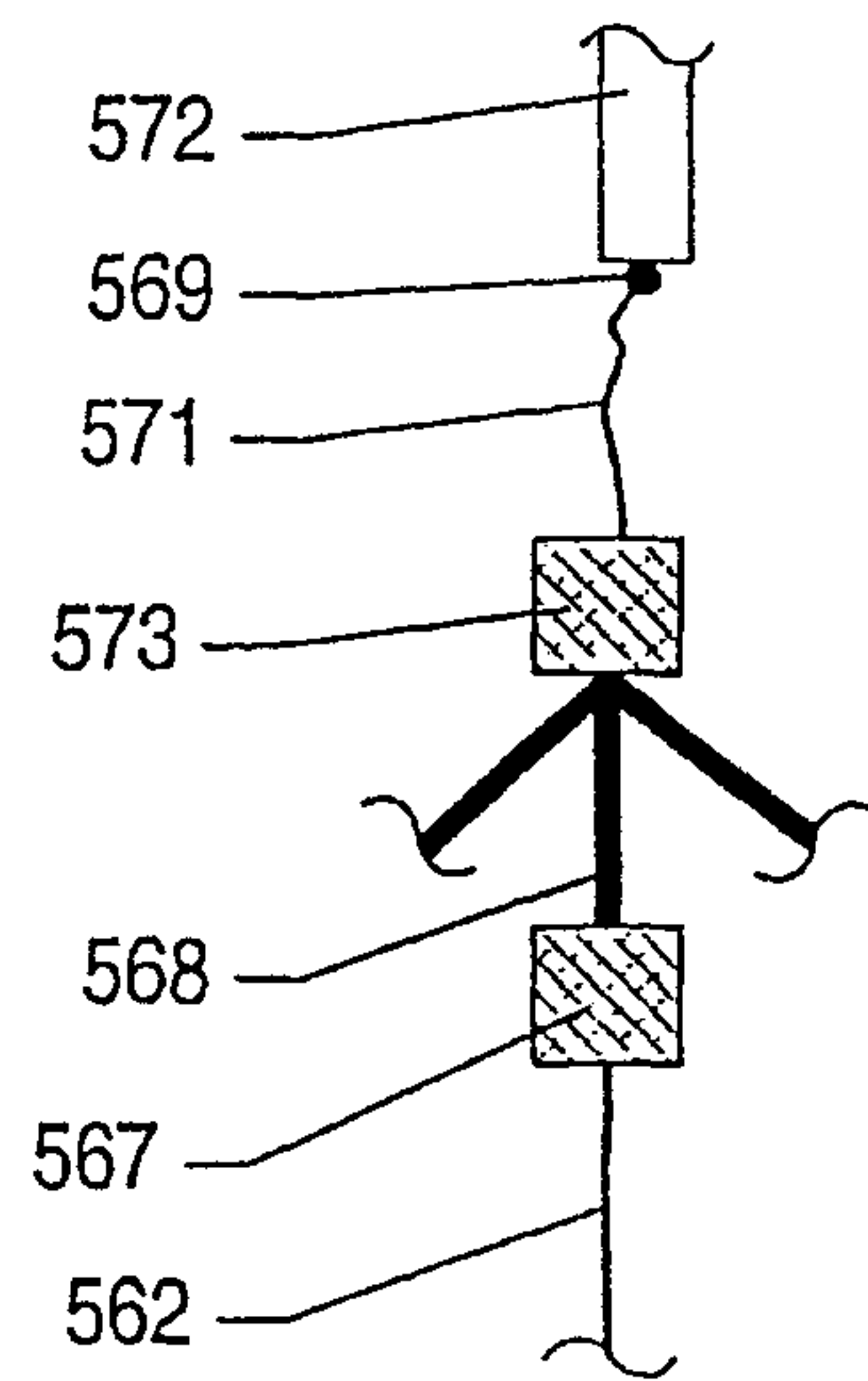


FIG. 17A

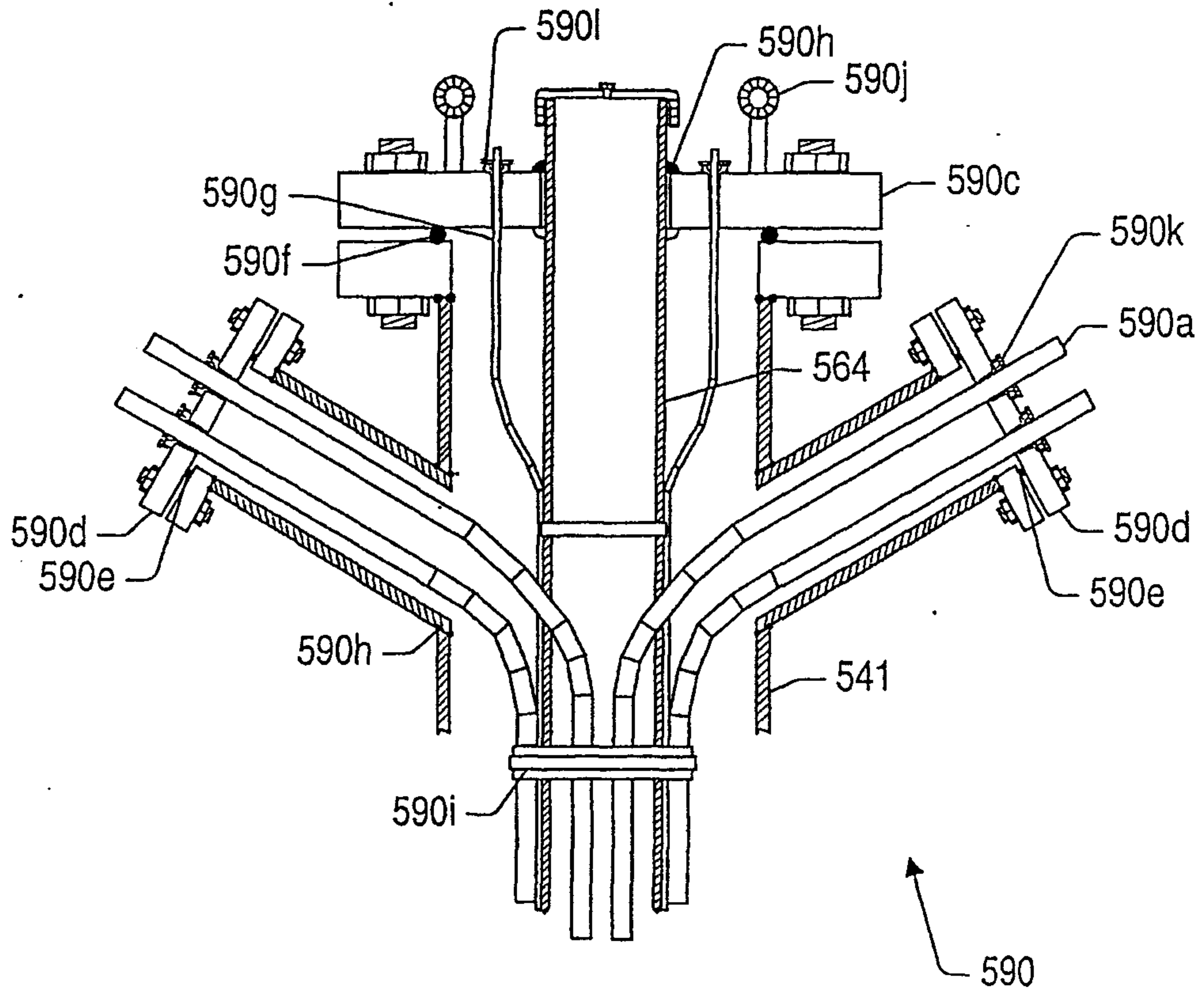


FIG. 18

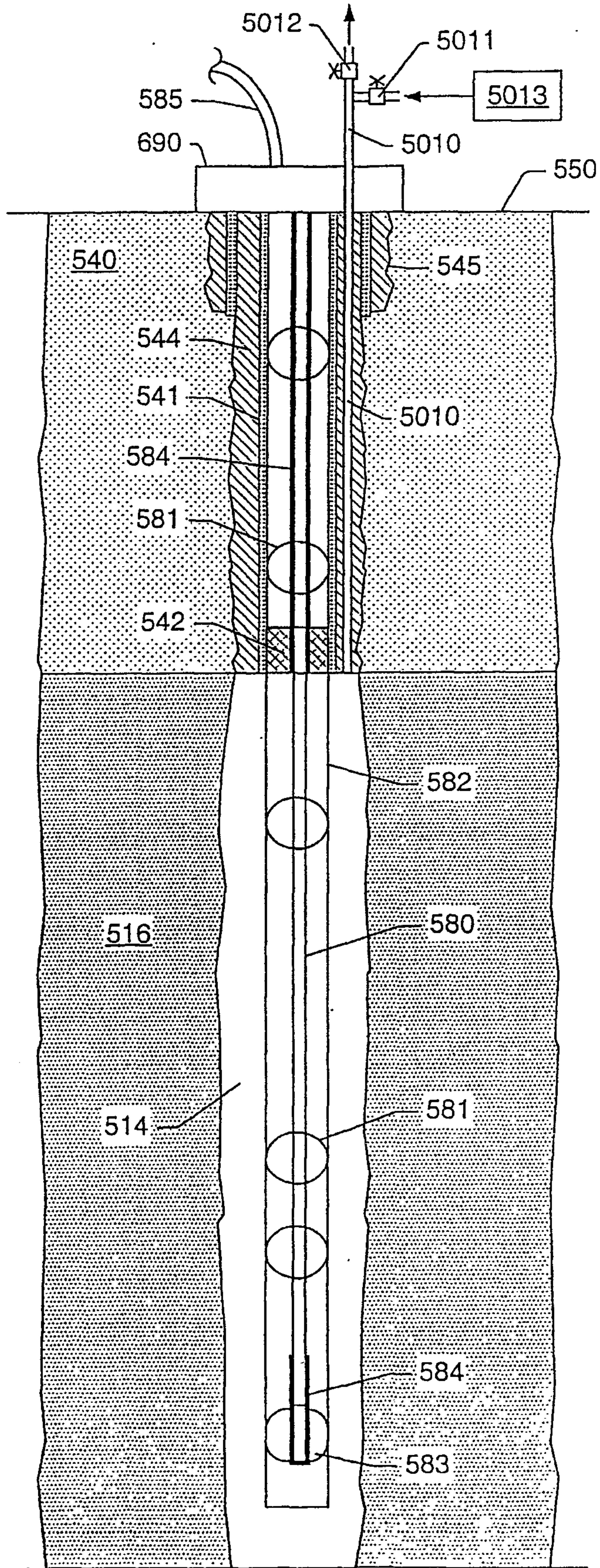


FIG. 19

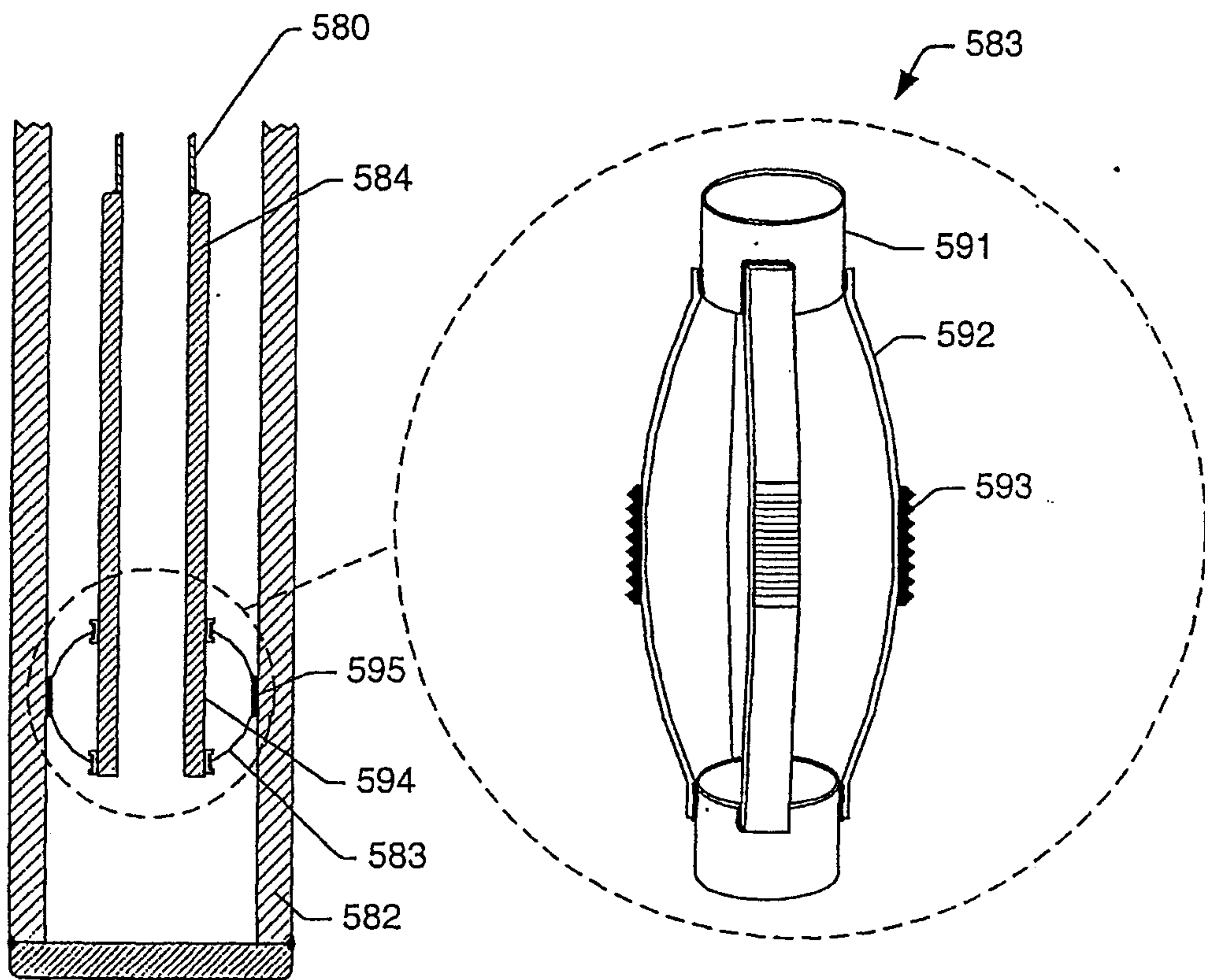


FIG. 20

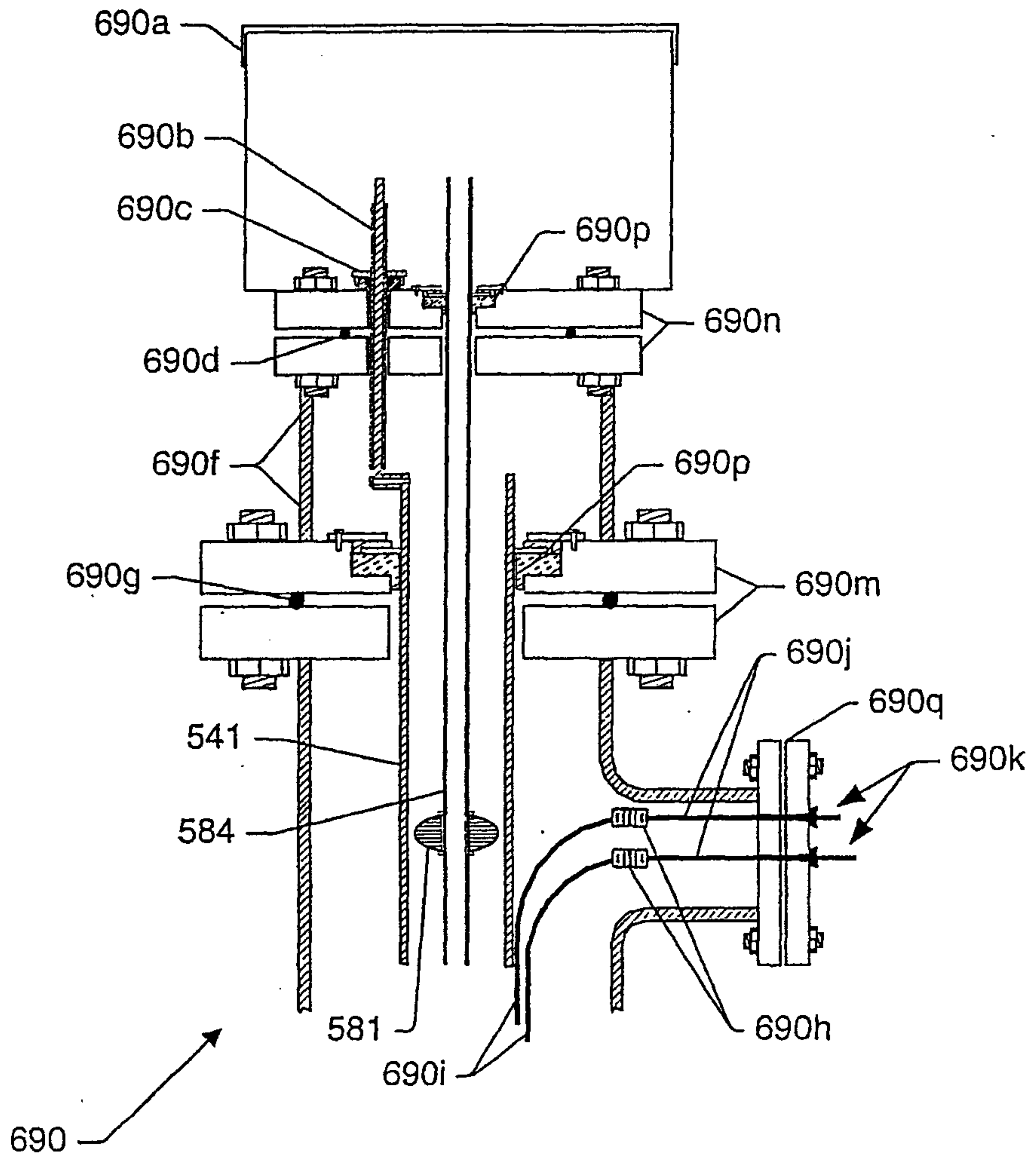


FIG. 21

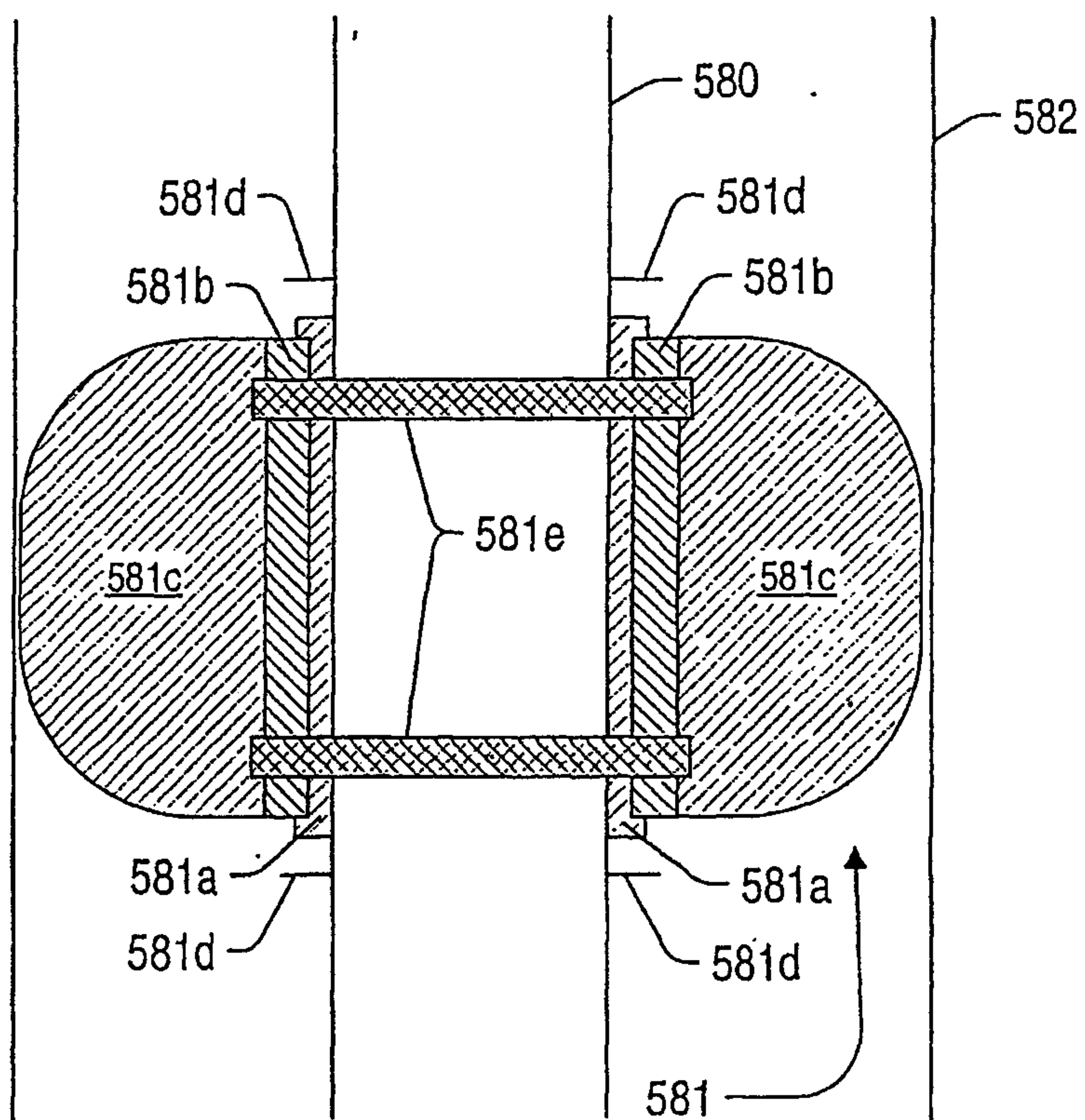


FIG. 22

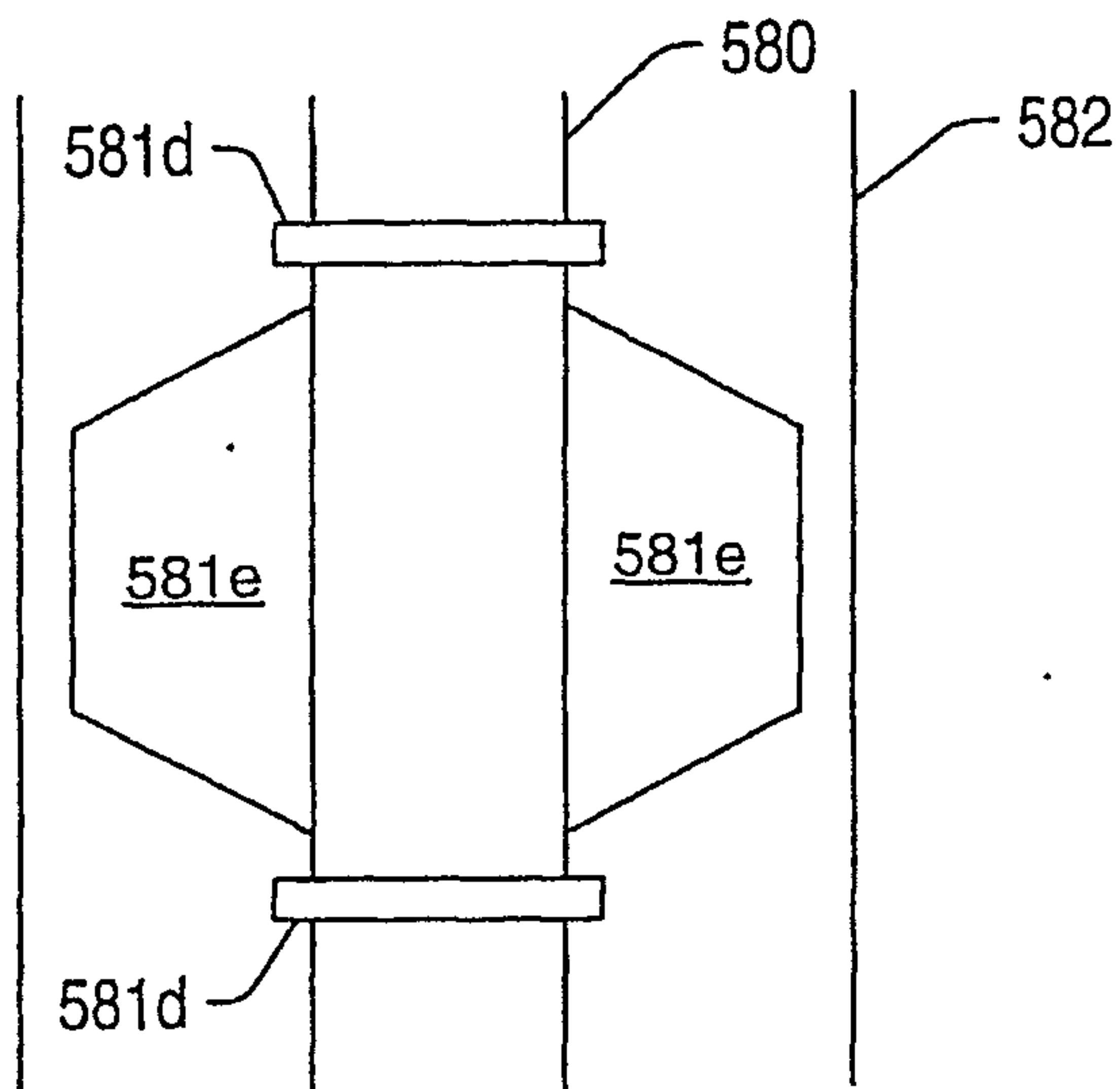


FIG. 23a

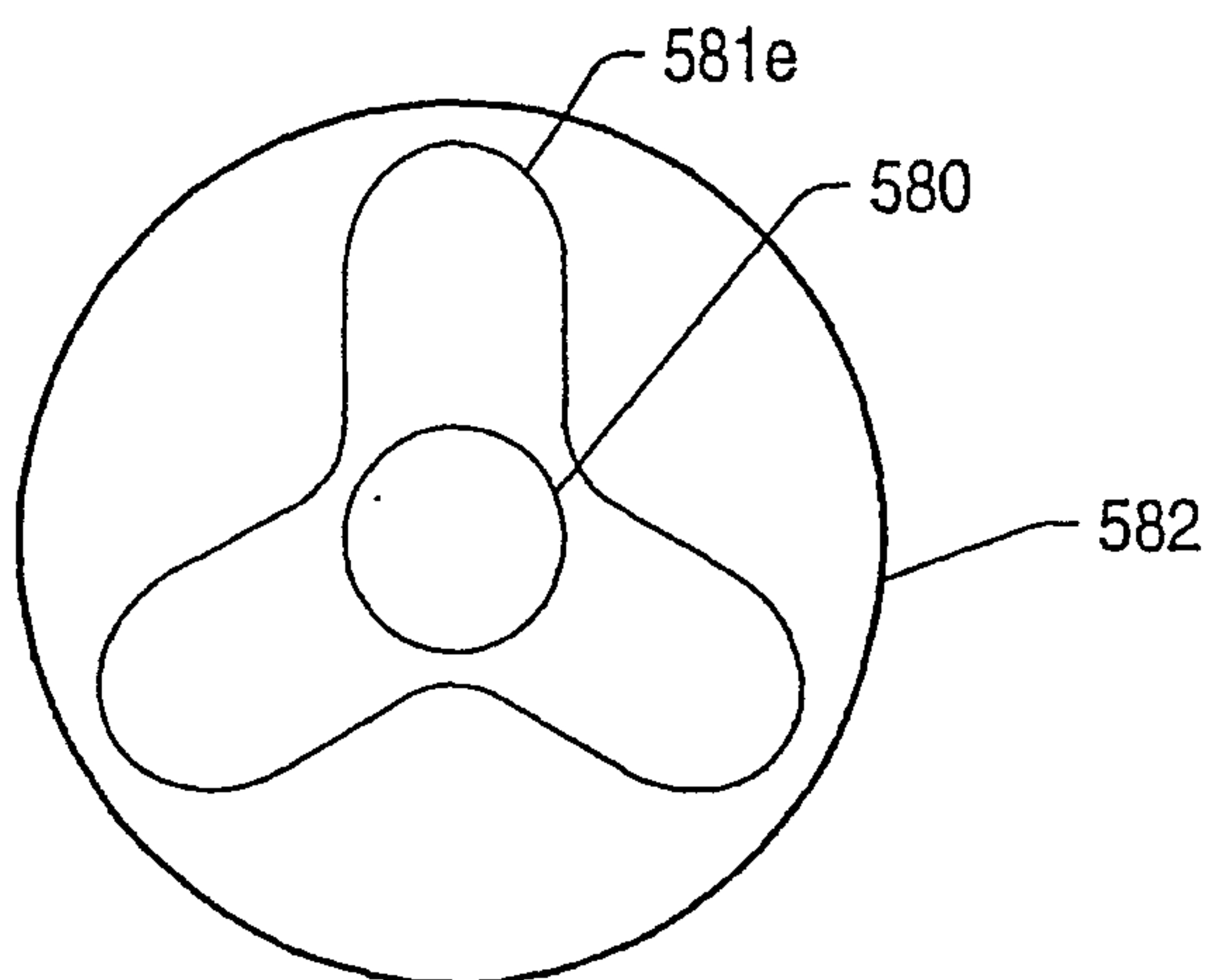


FIG. 23b

22/163

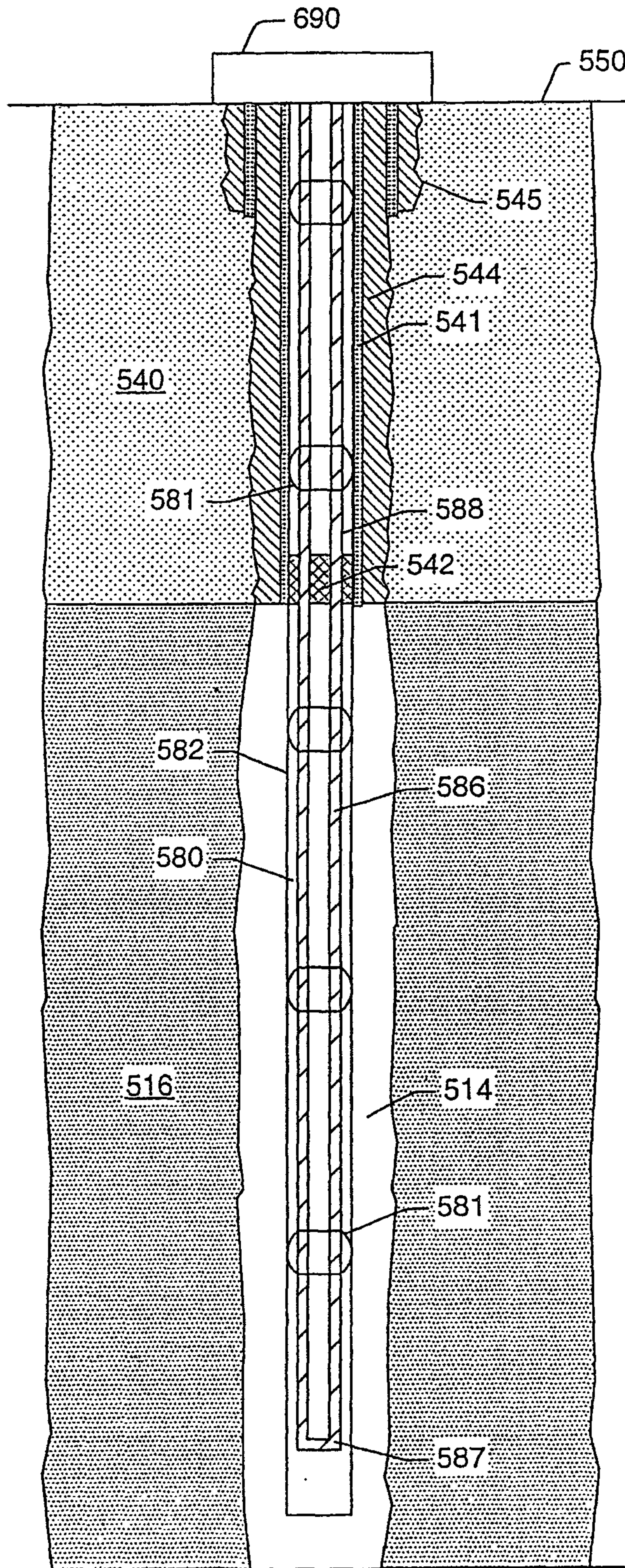


Fig. 24

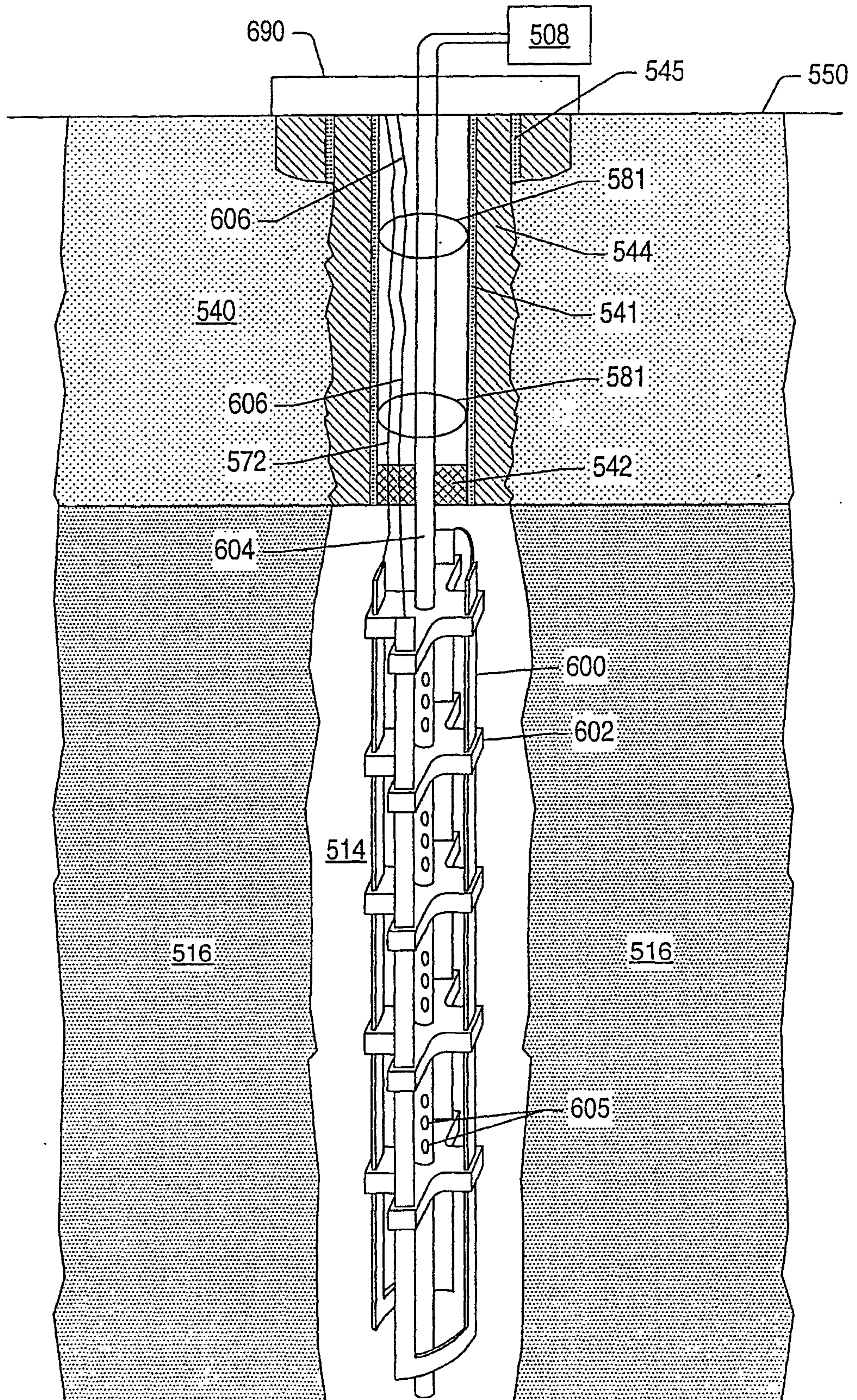


FIG. 25

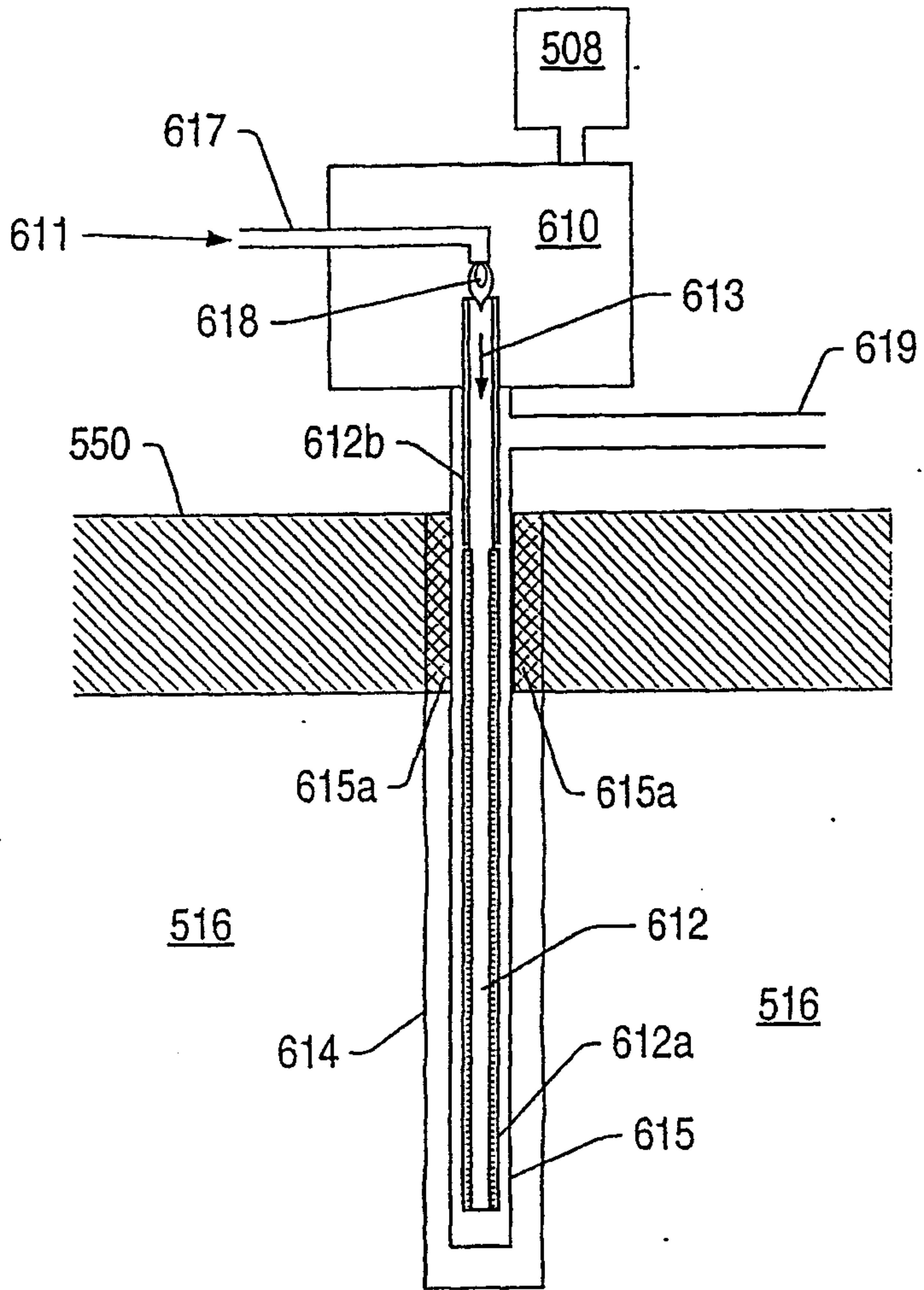


FIG. 26

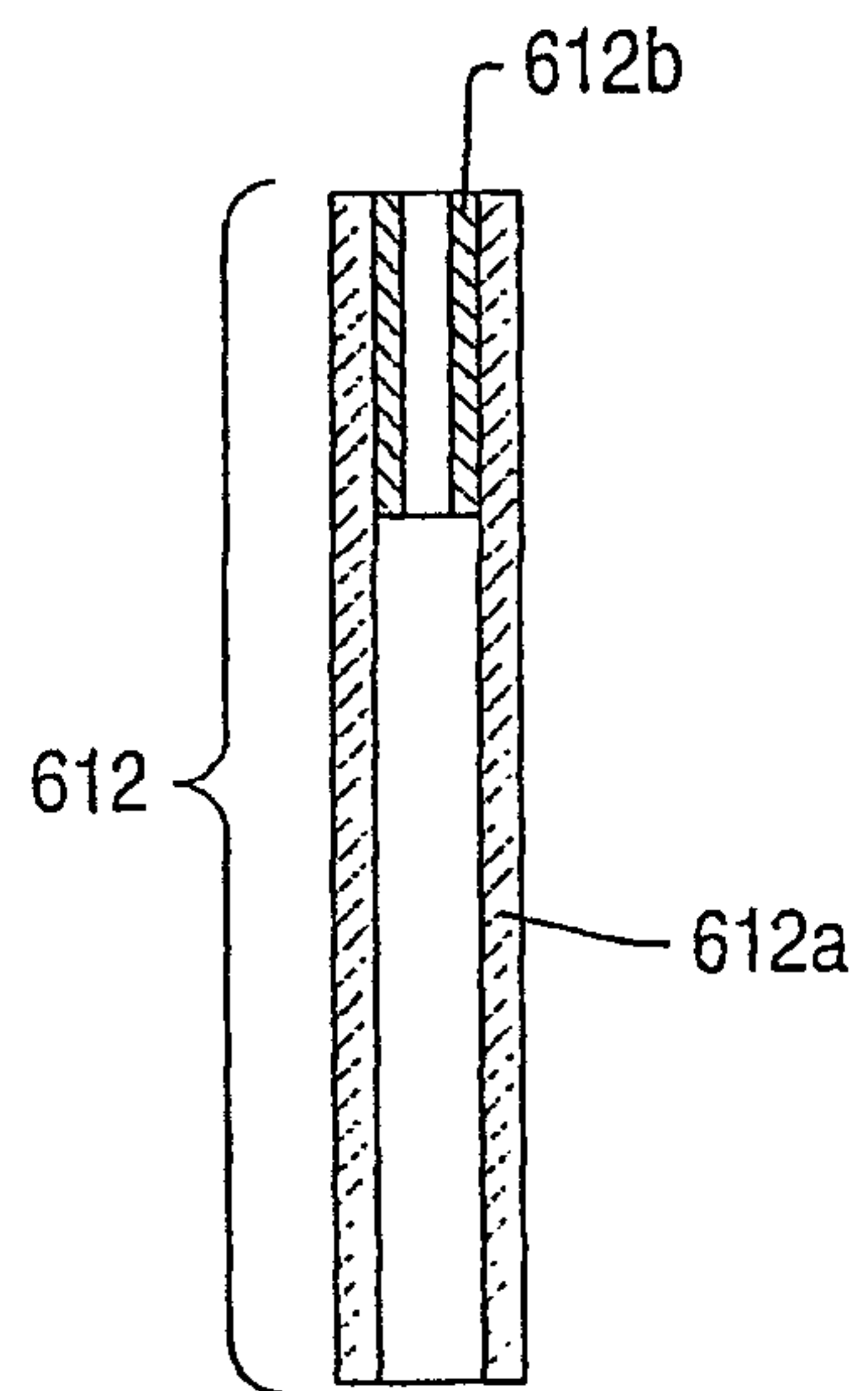


FIG. 27

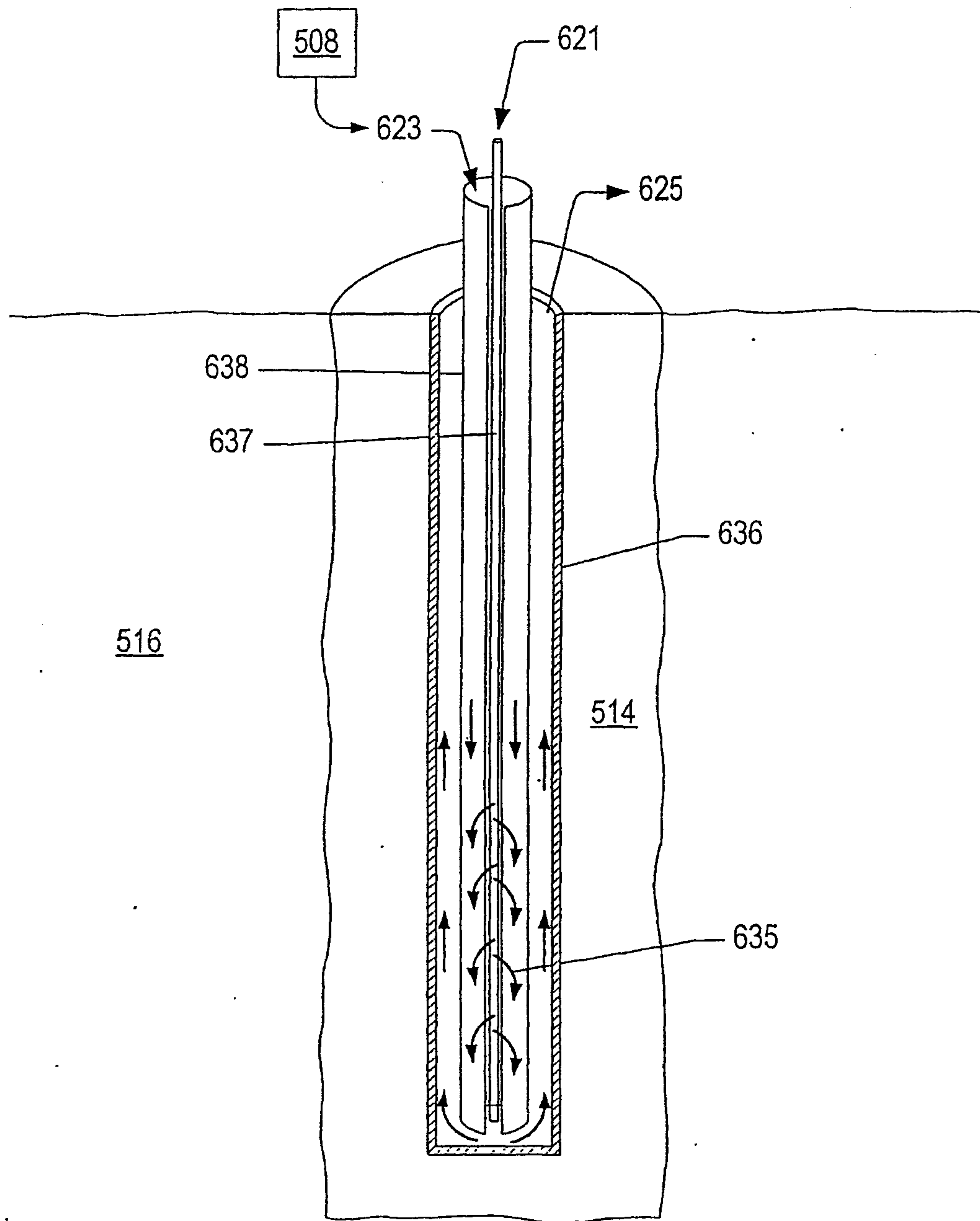


FIG. 28

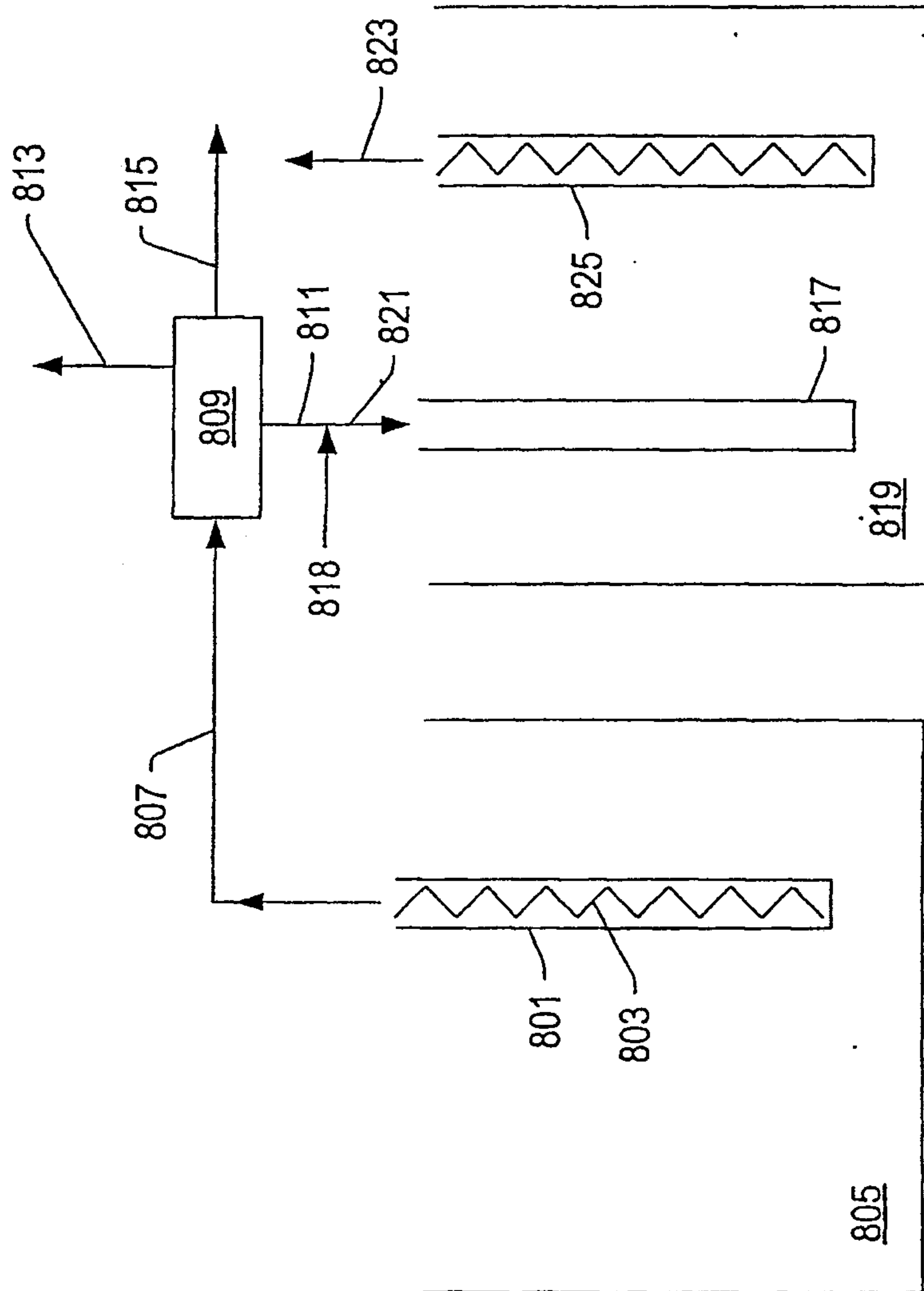


FIG. 29

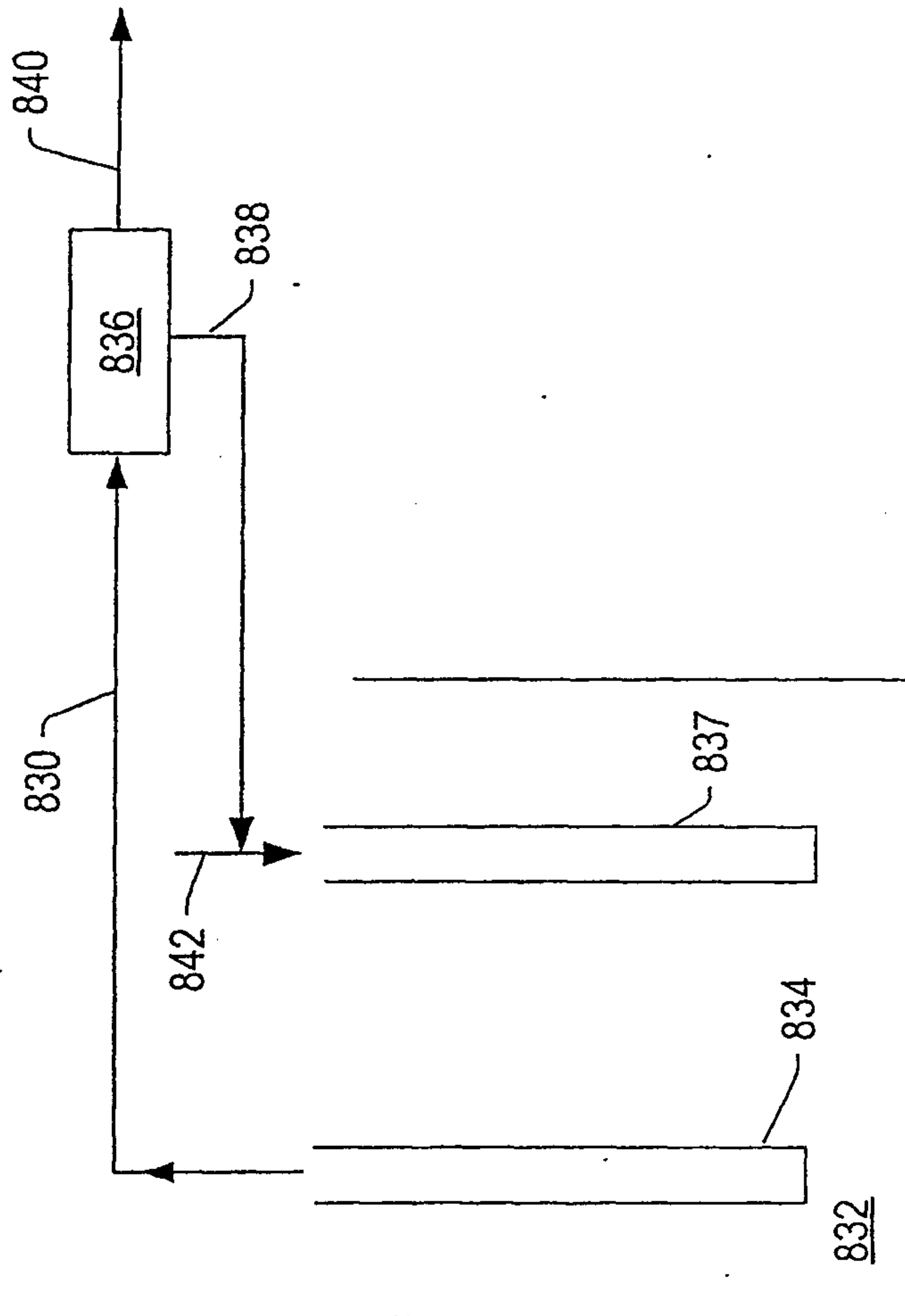


FIG. 30

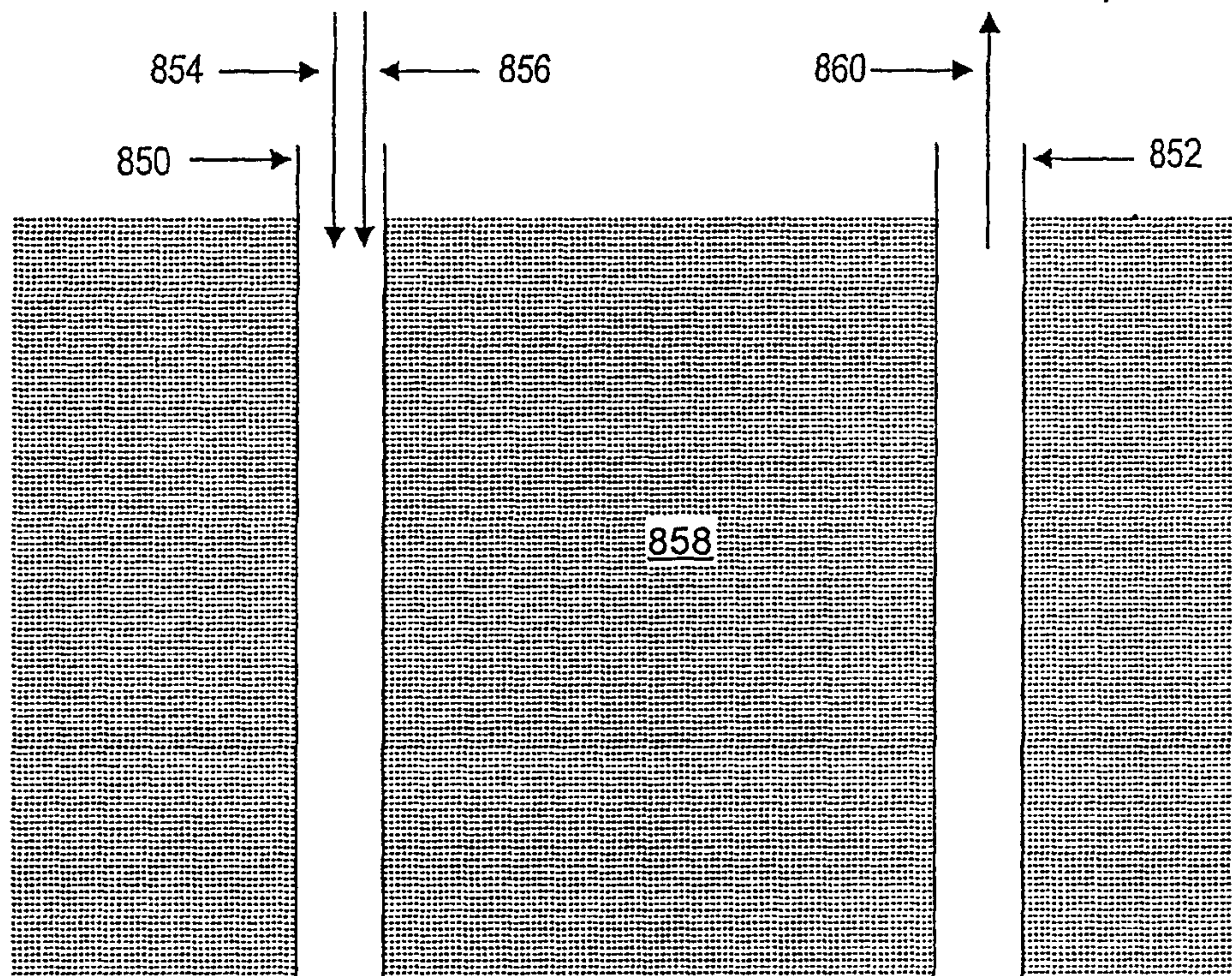


FIG. 31

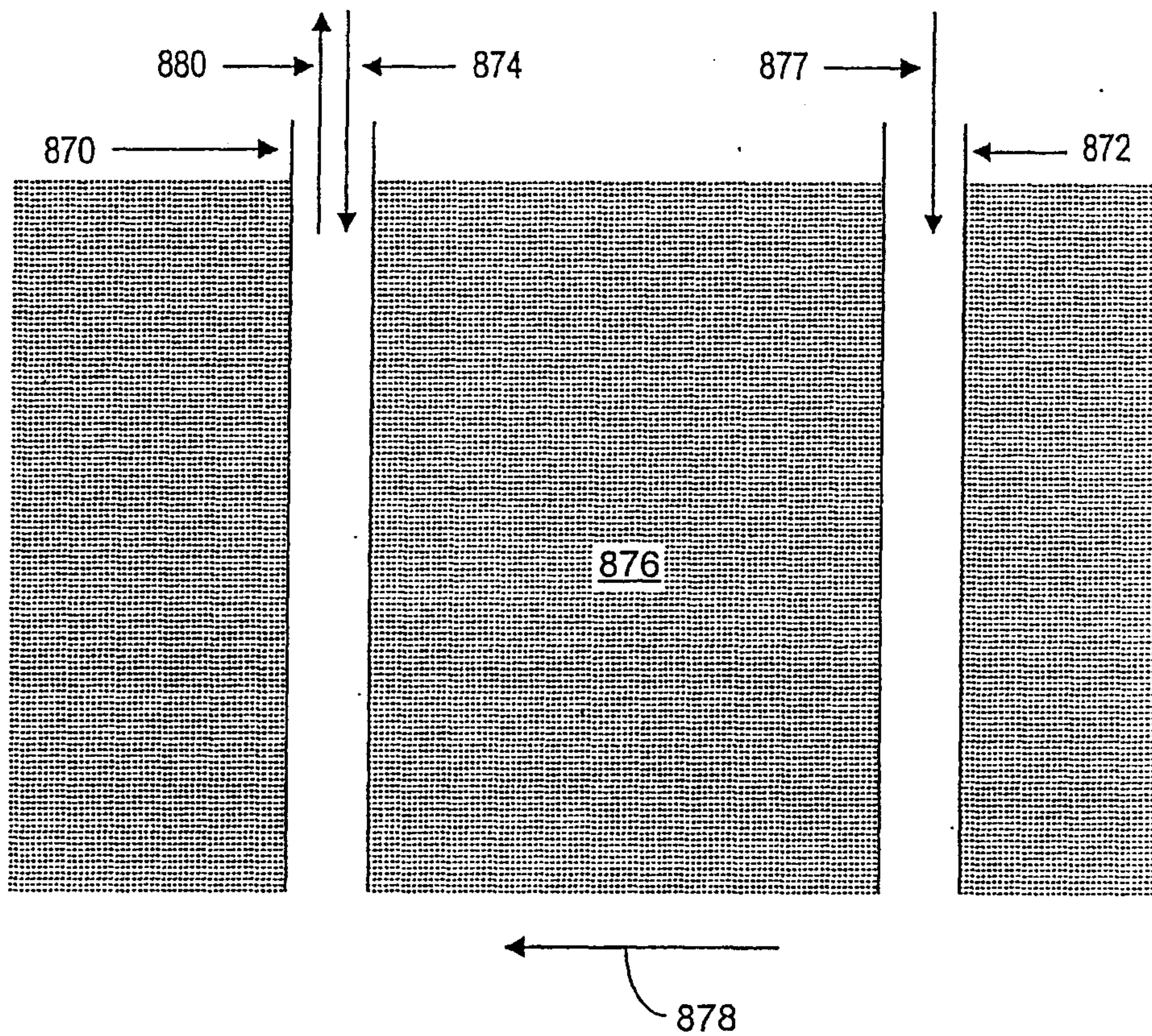


FIG. 32

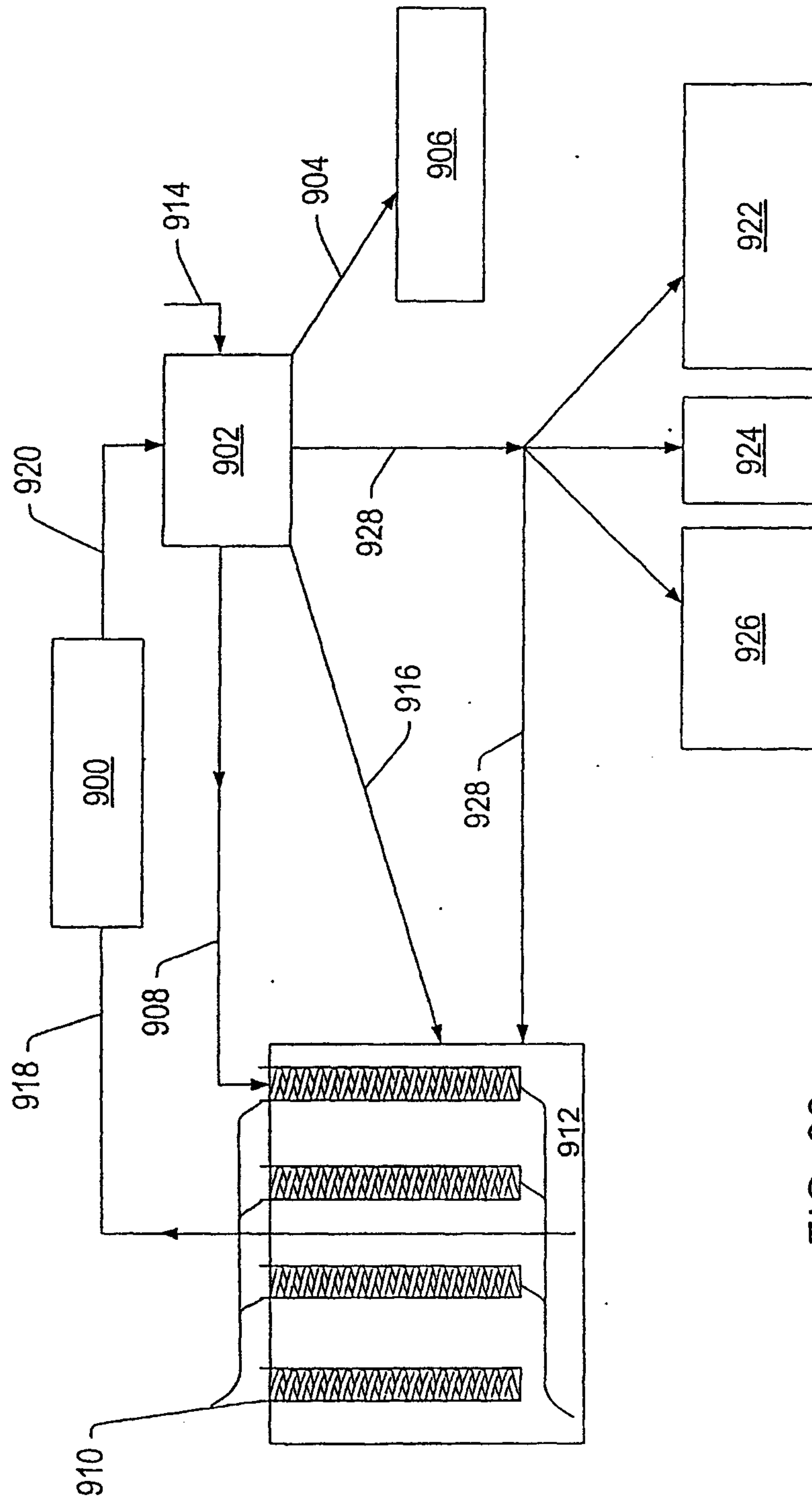


FIG. 33

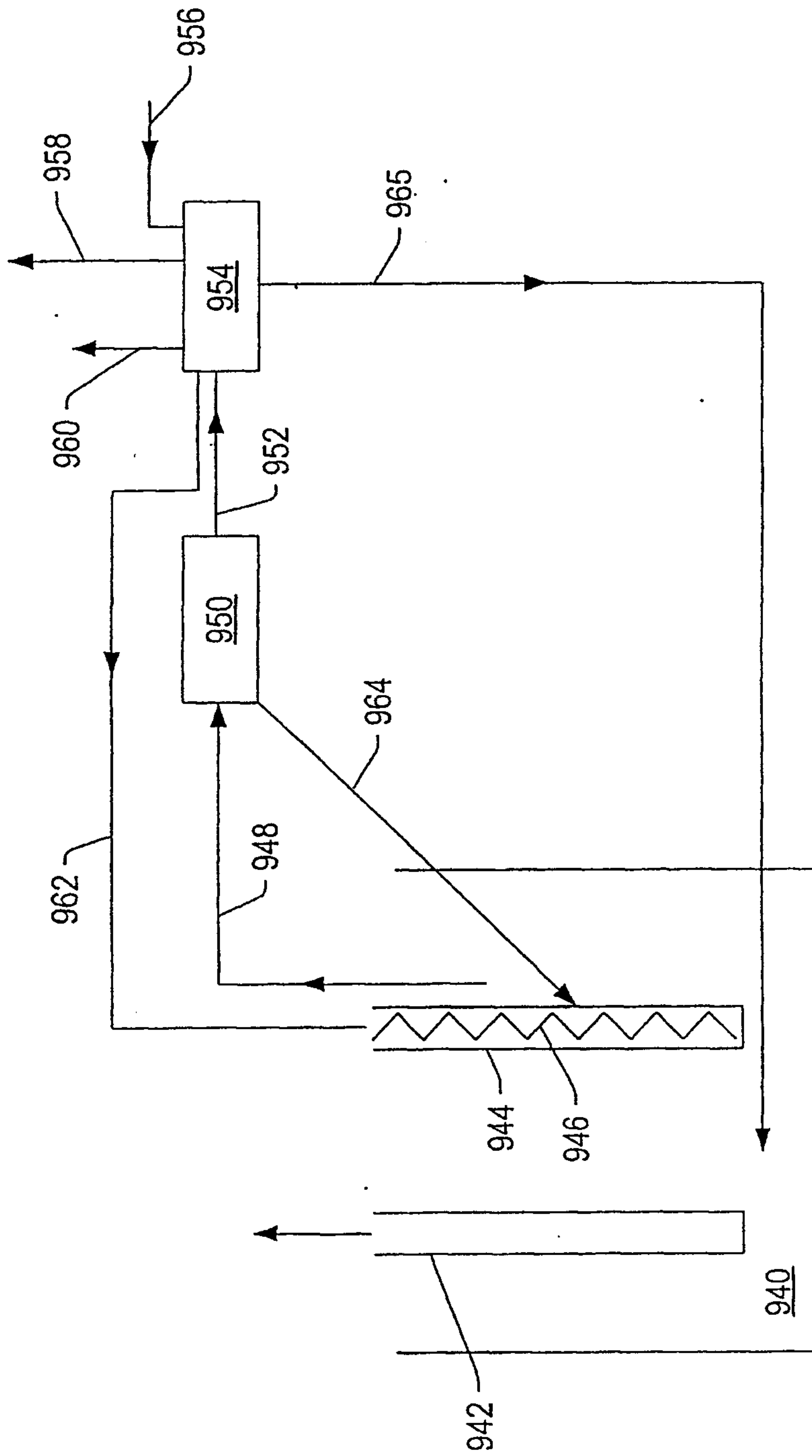


FIG. 34

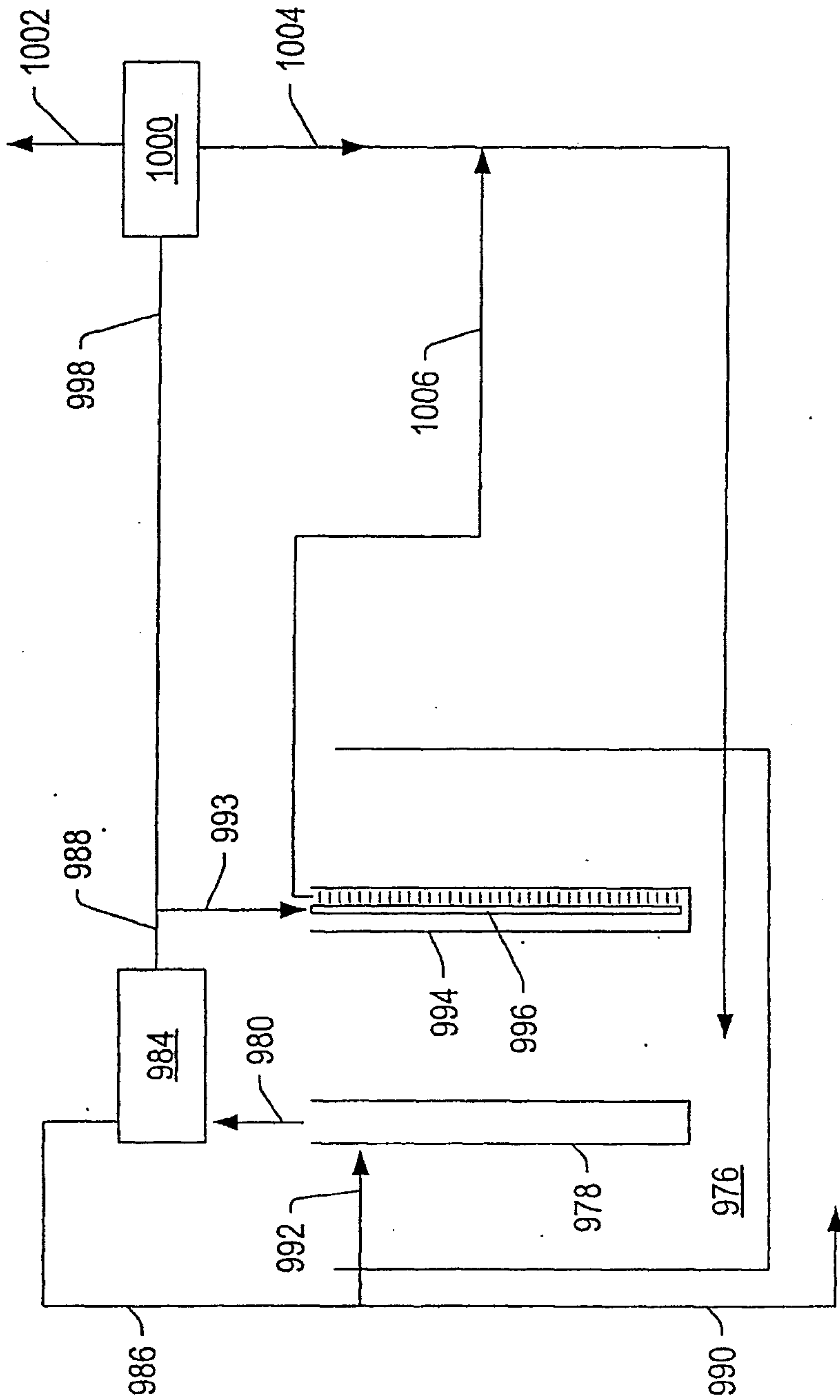


FIG. 35

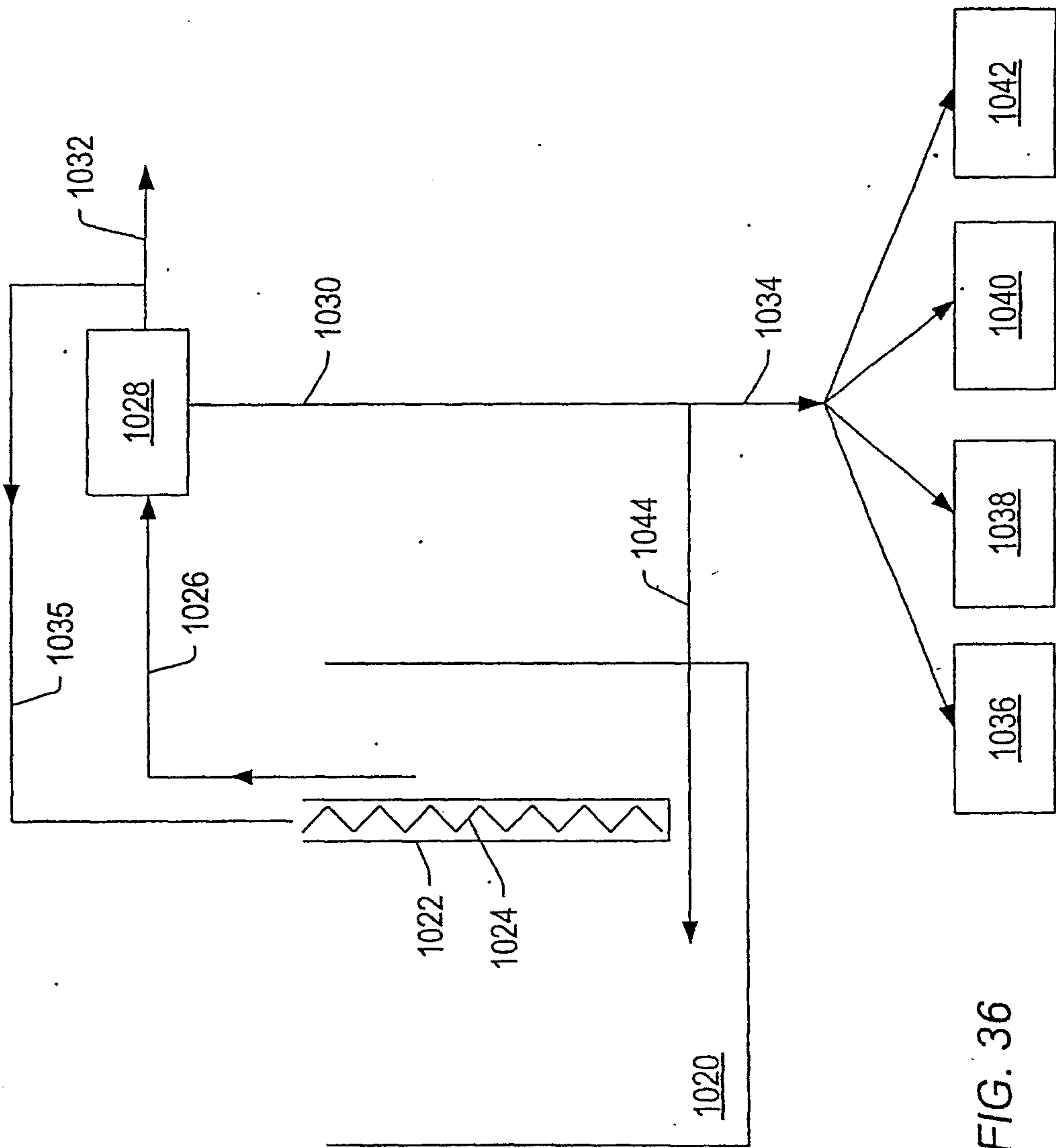


FIG. 36

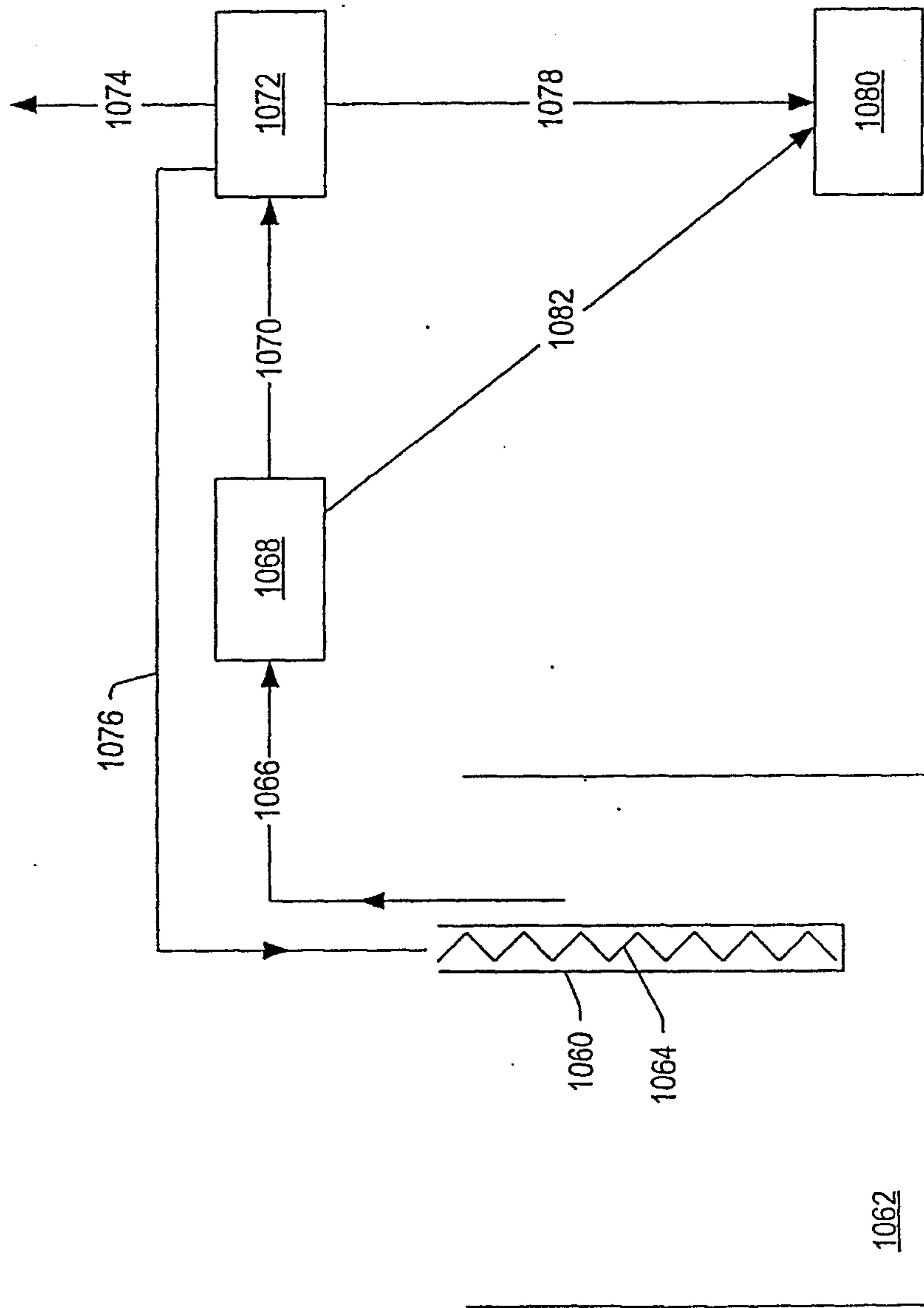


FIG. 37

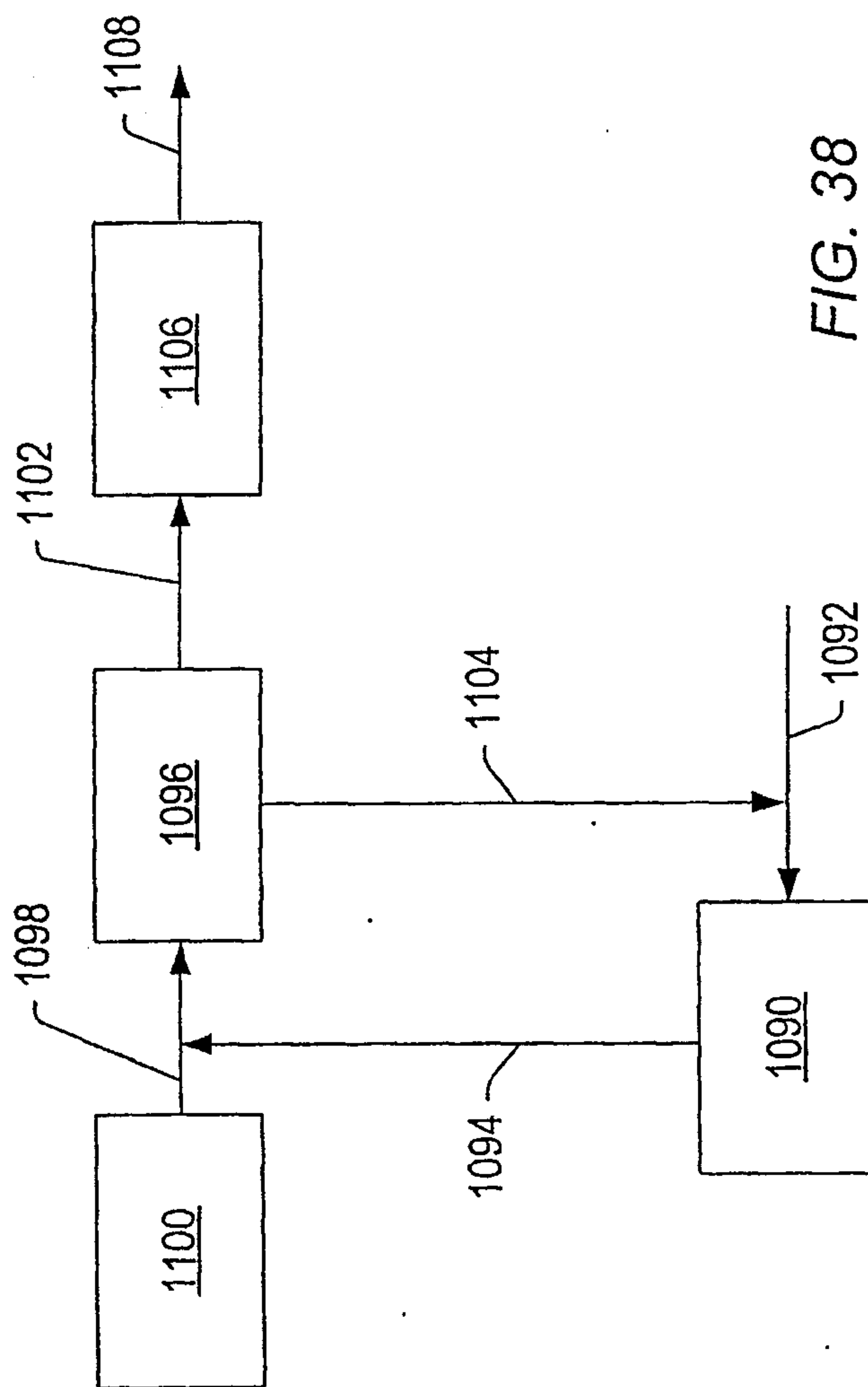


FIG. 38

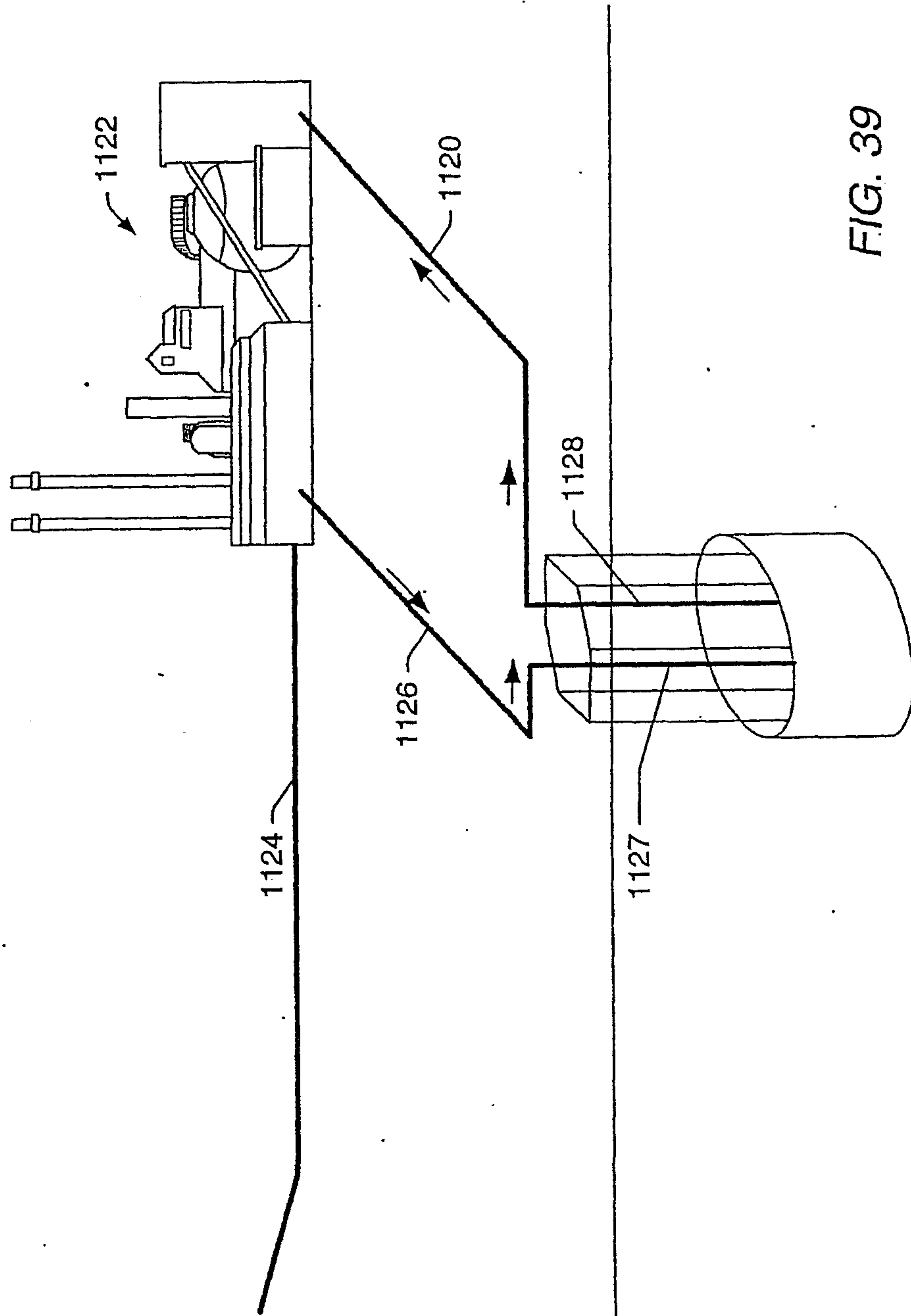


FIG. 39

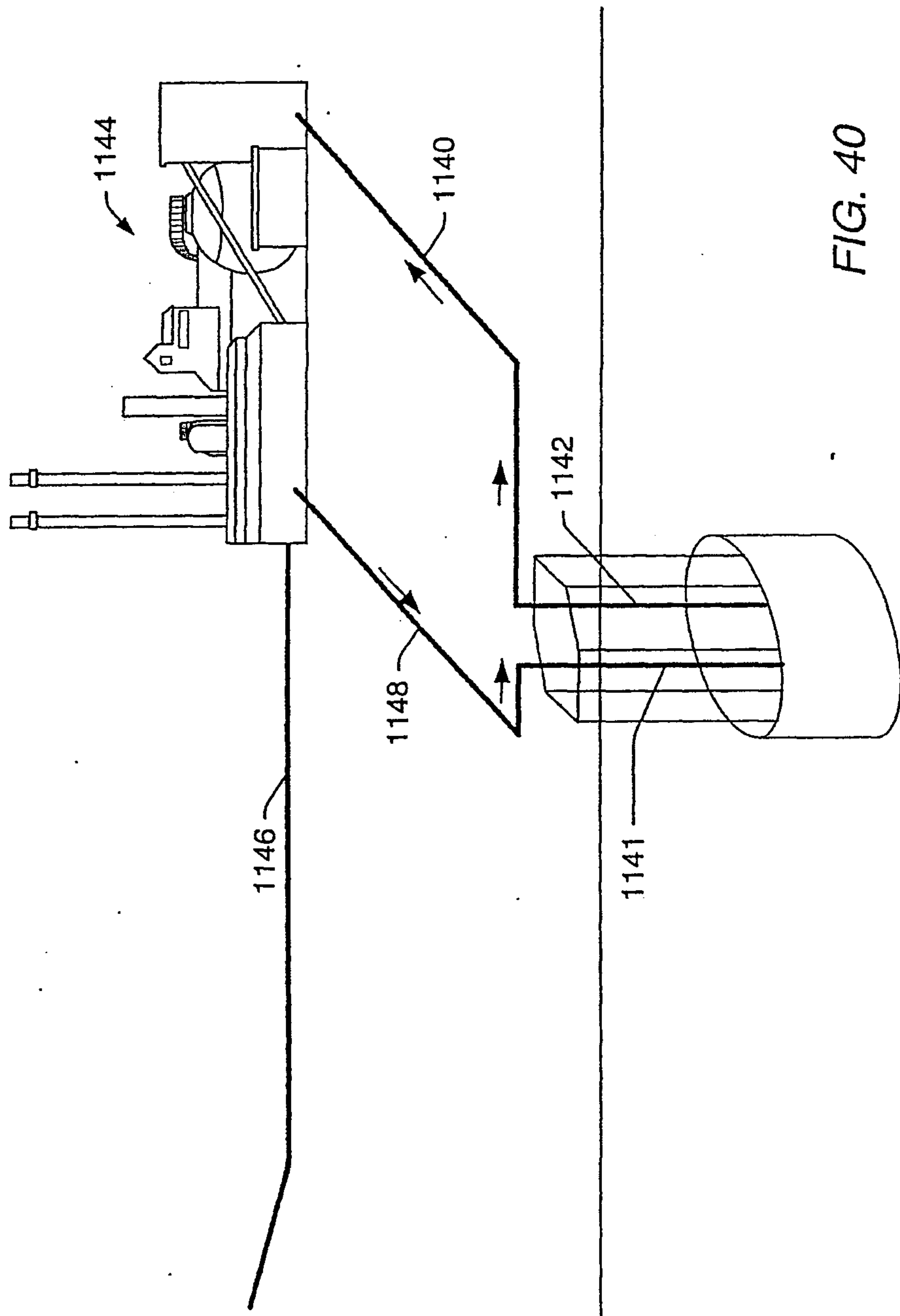


FIG. 40

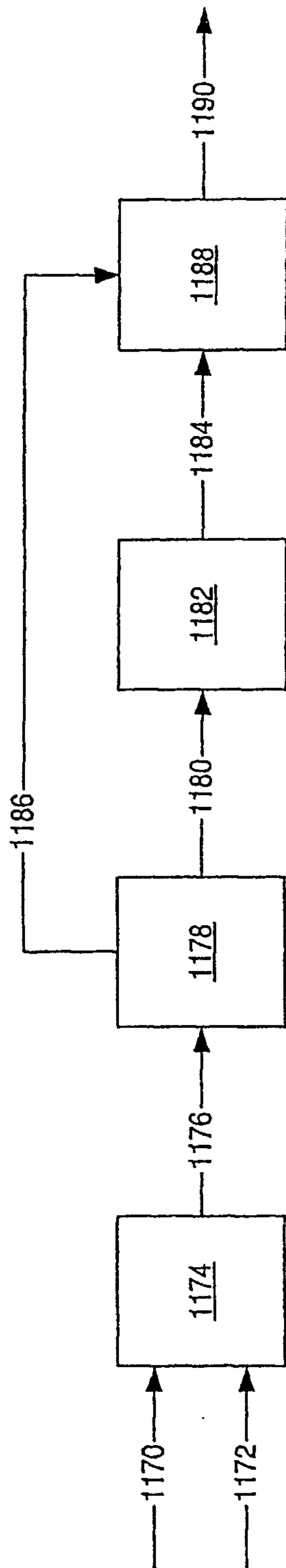


FIG. 41

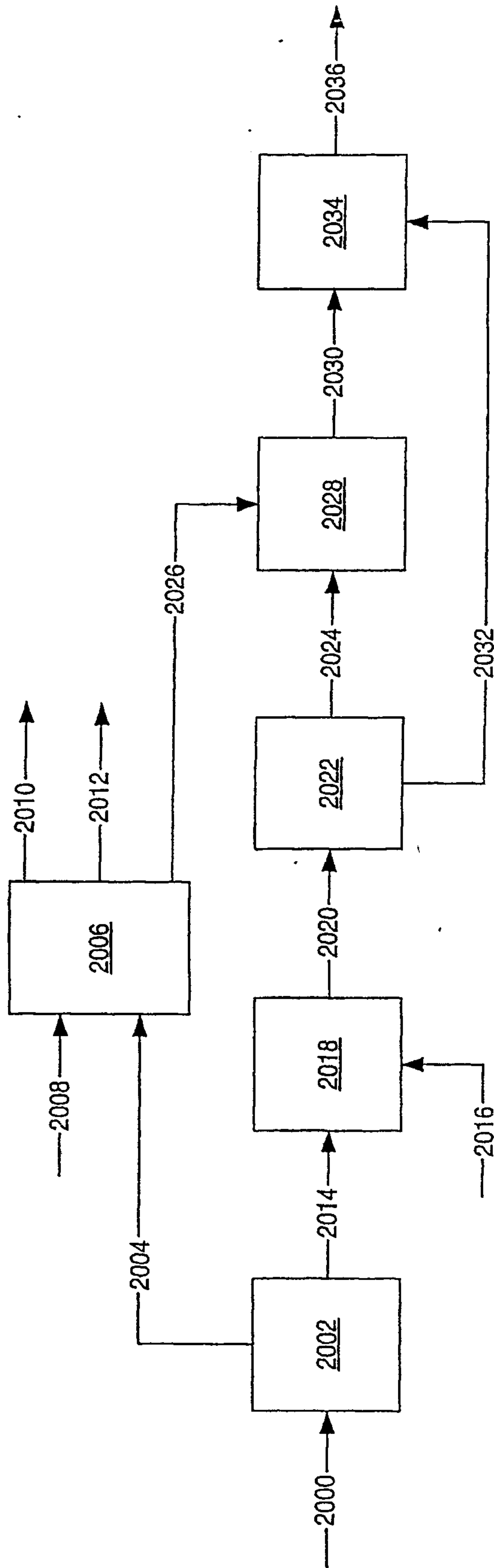


FIG. 42

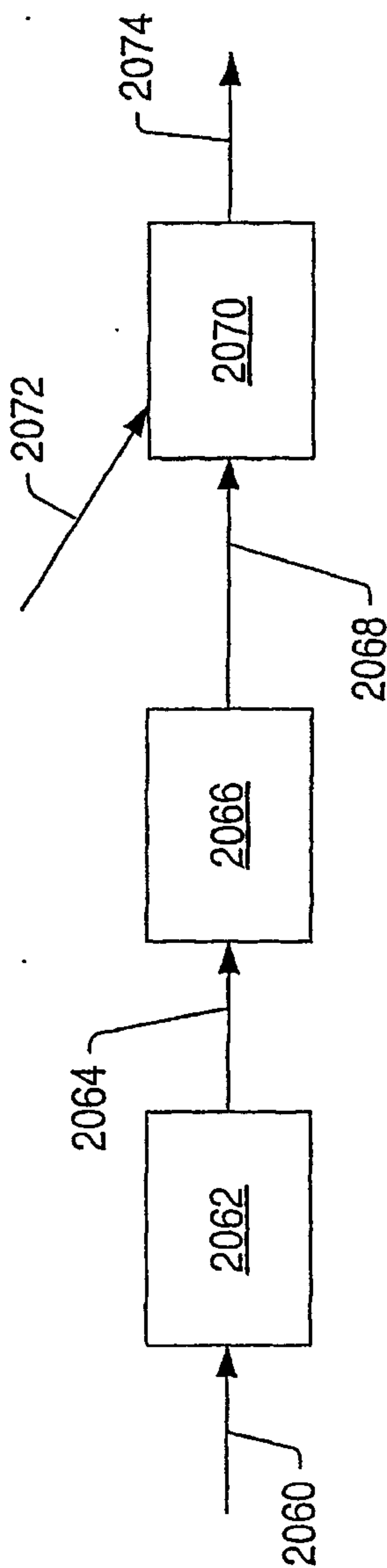


FIG. 43

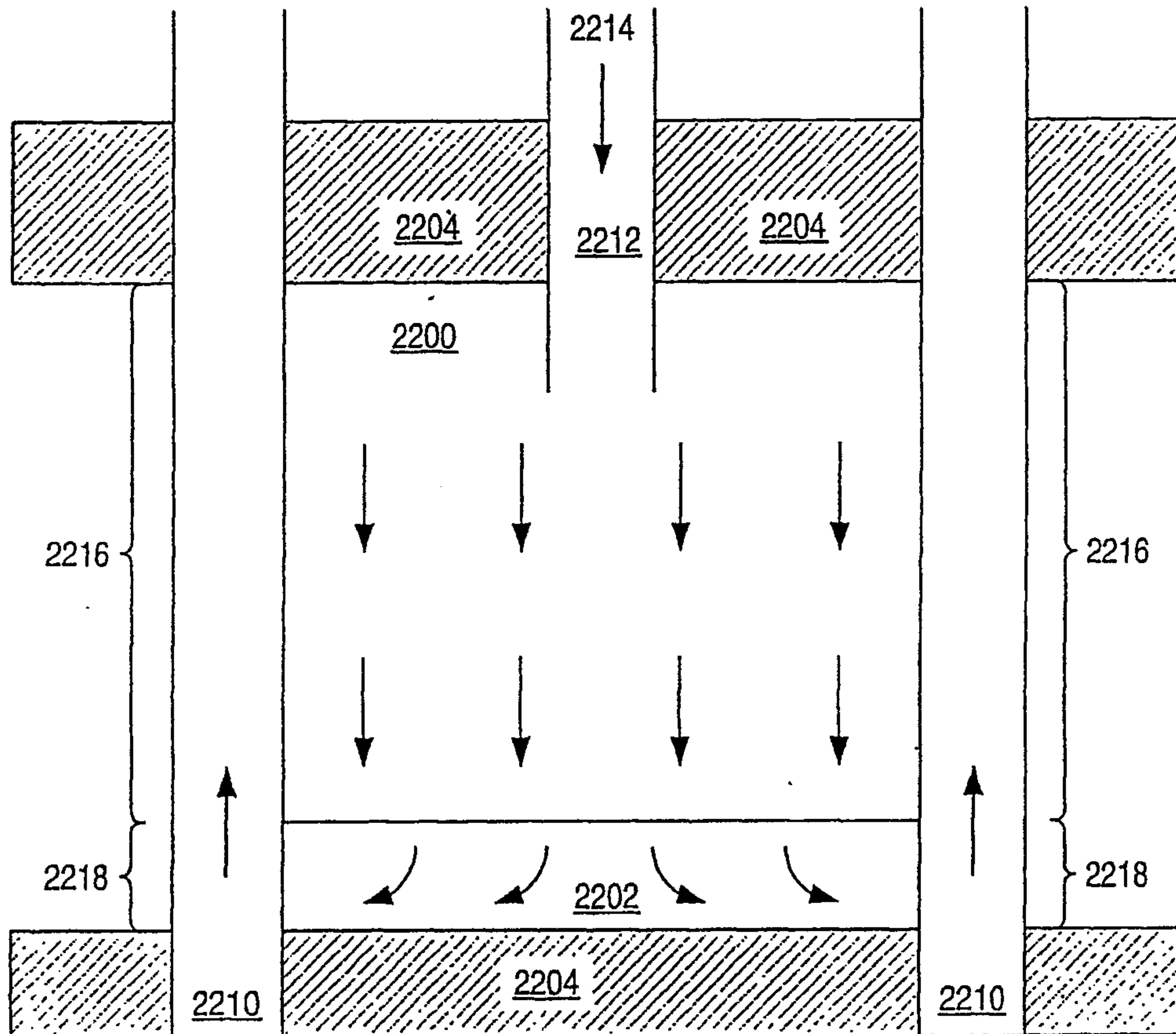


FIG. 44

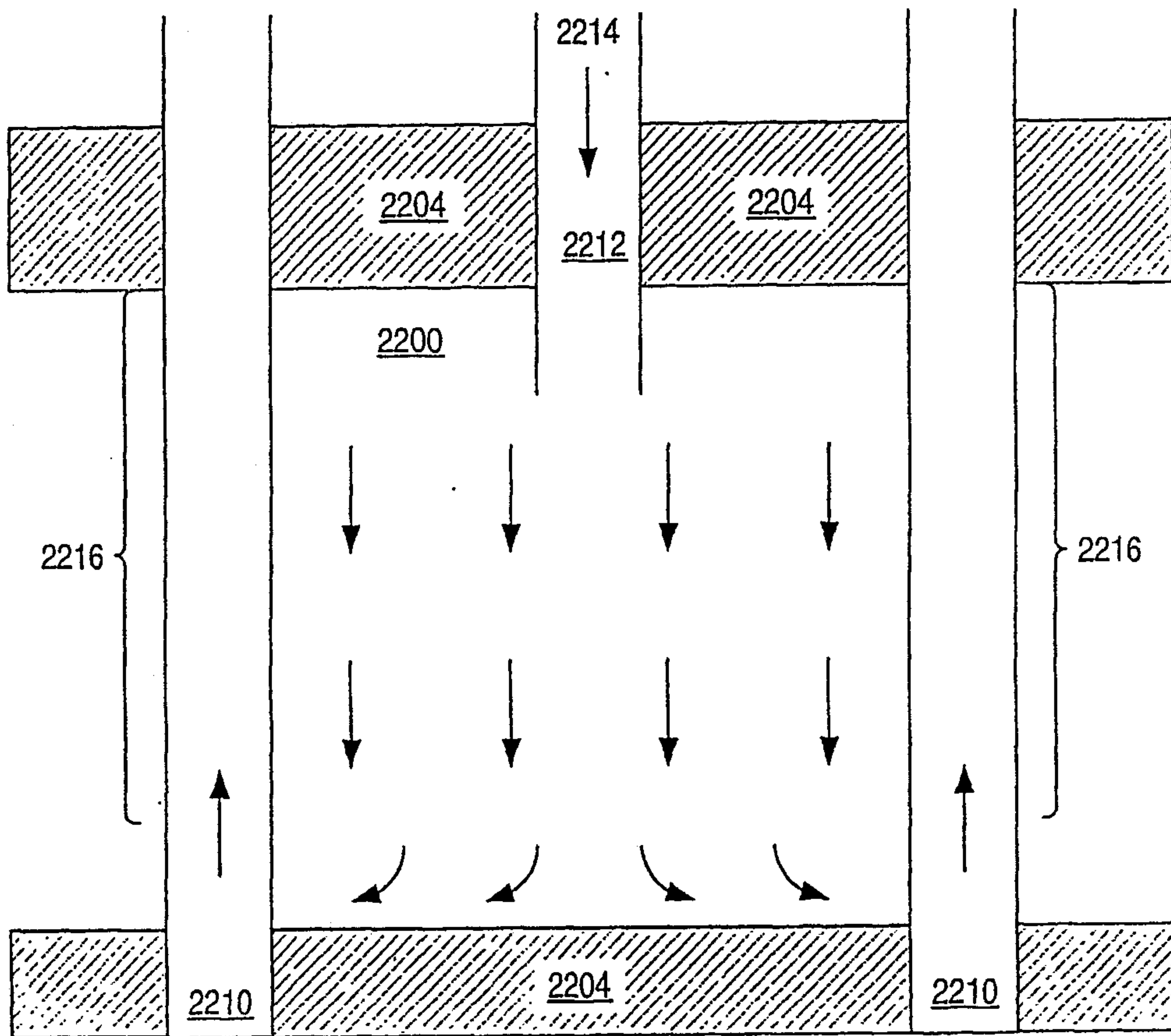


FIG. 45

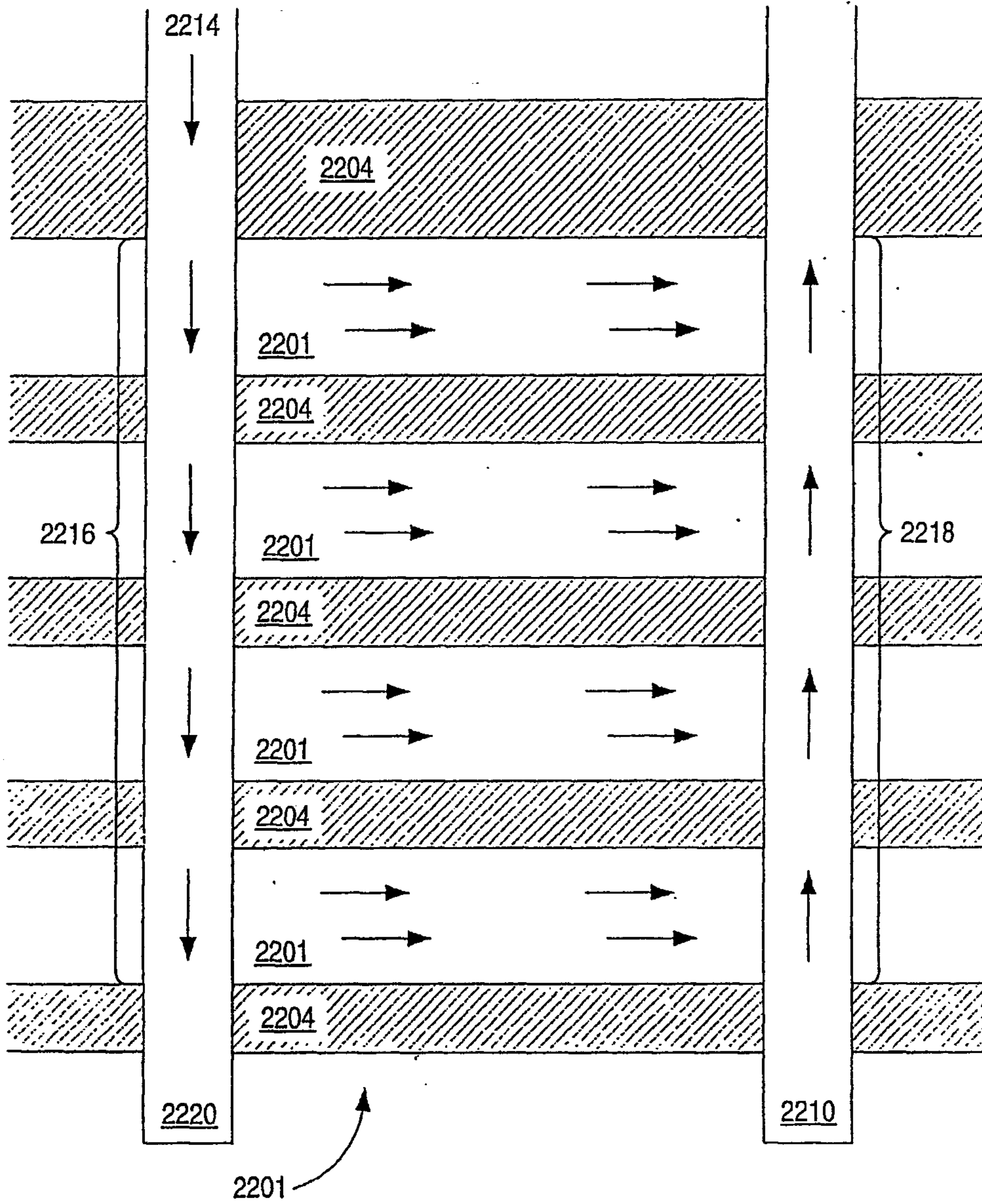


FIG. 46

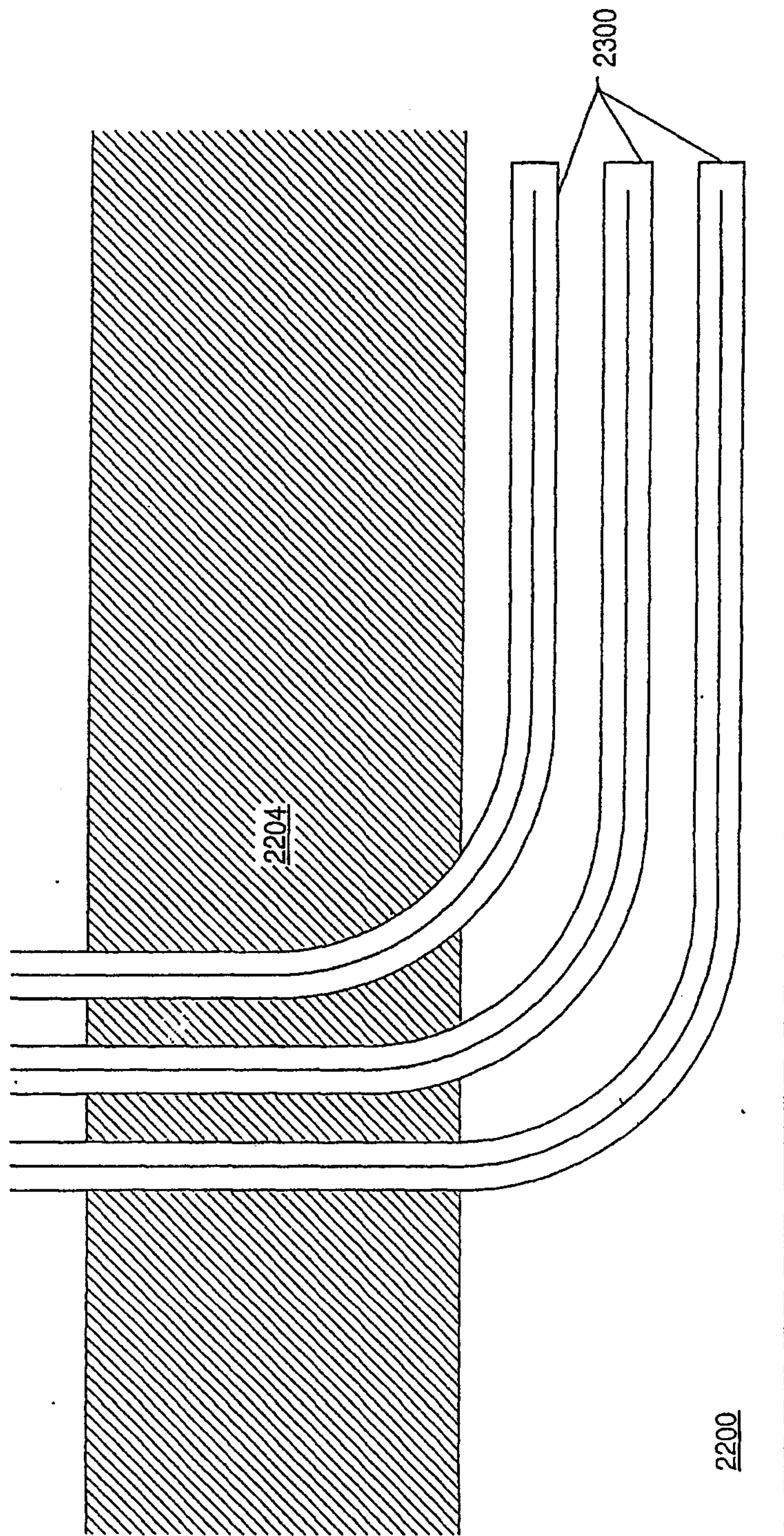


FIG. 47

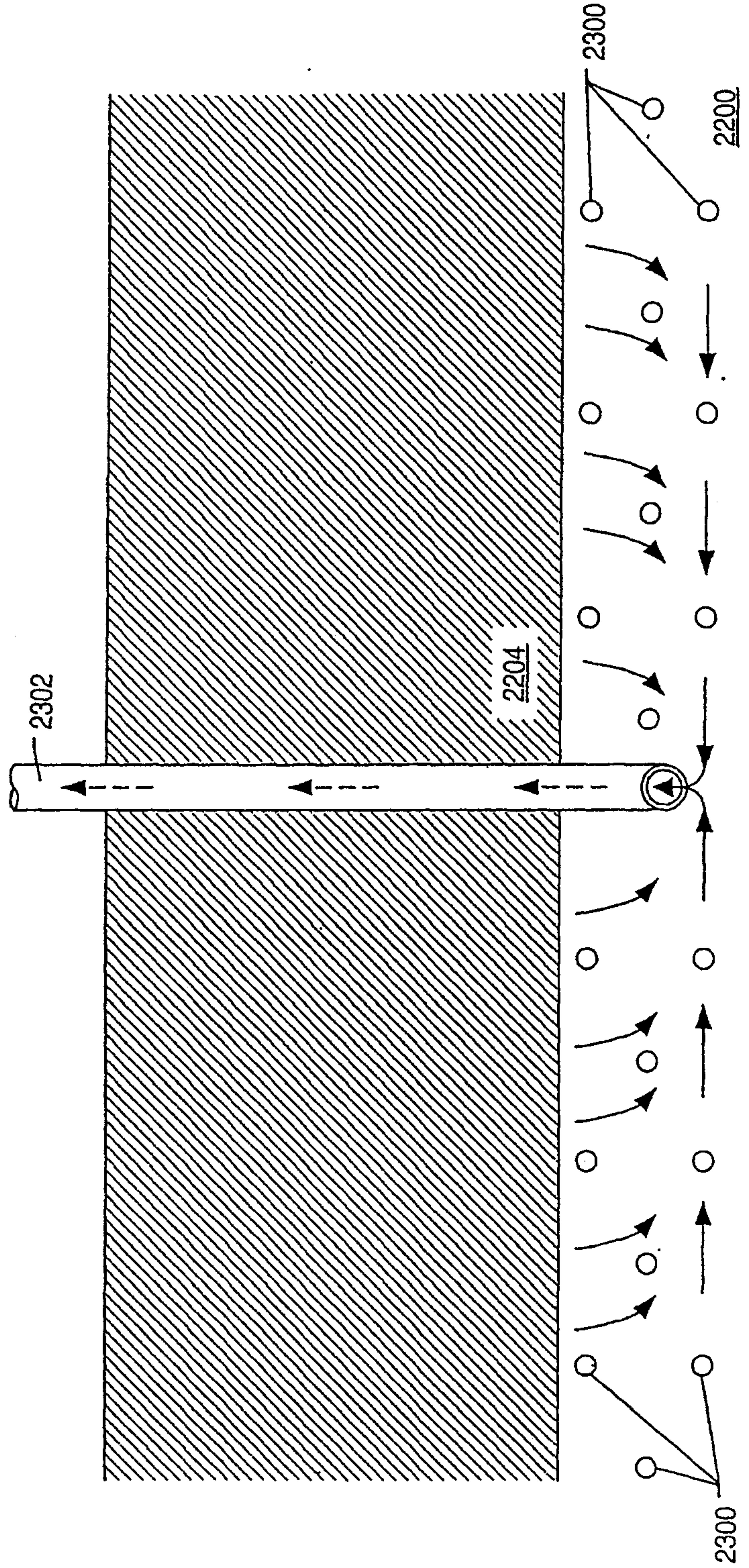


FIG. 48

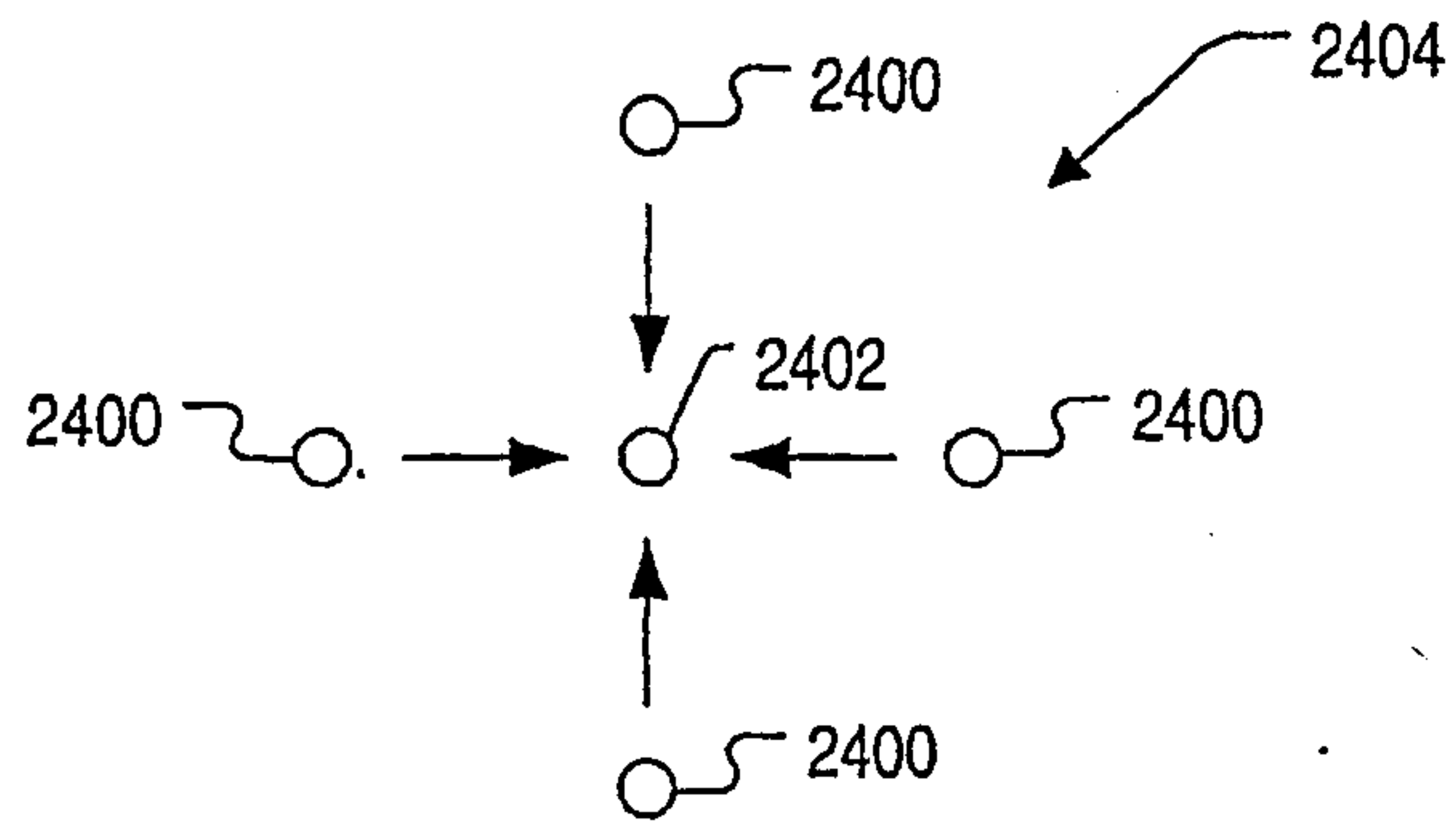


FIG. 49

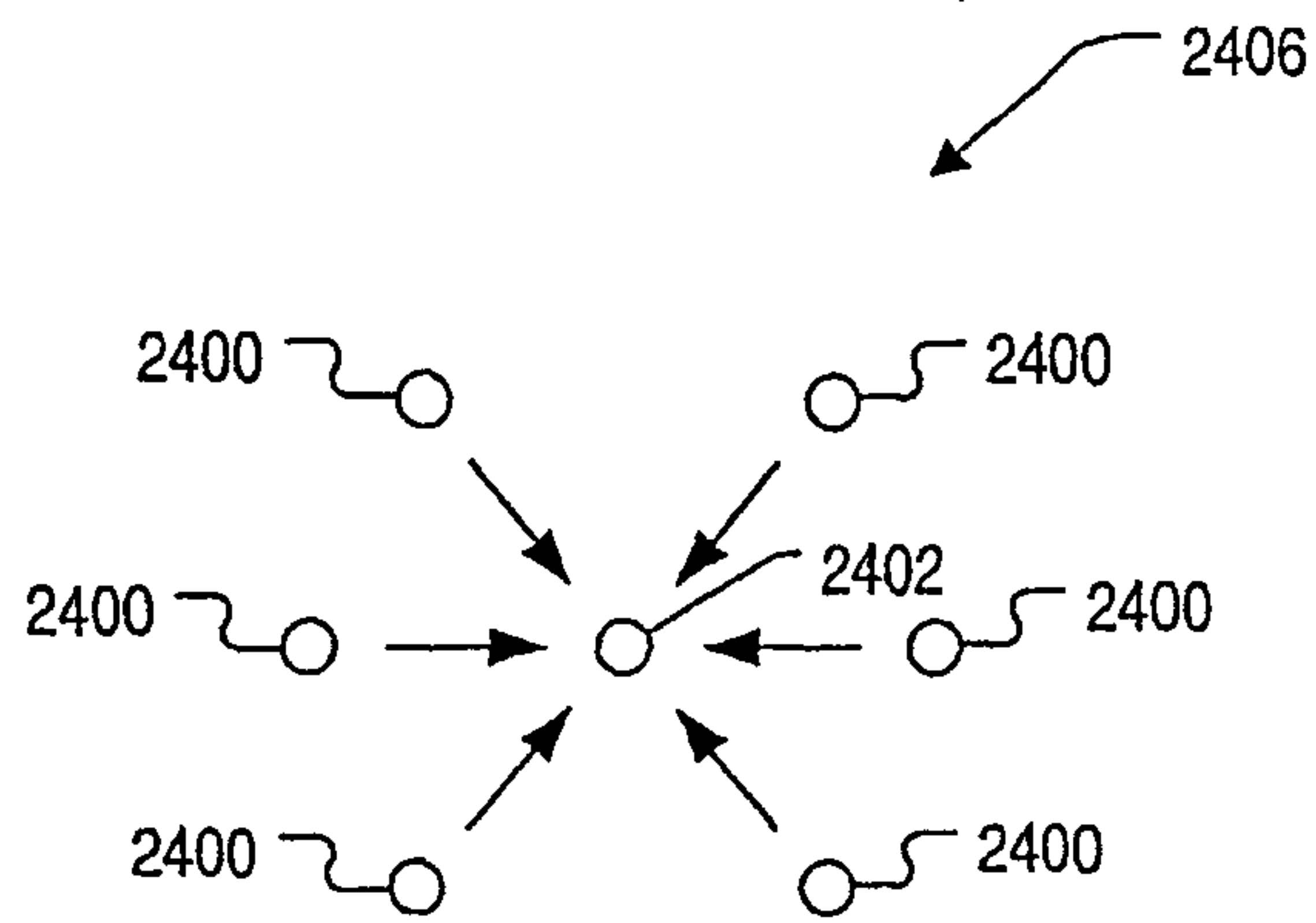


FIG. 50

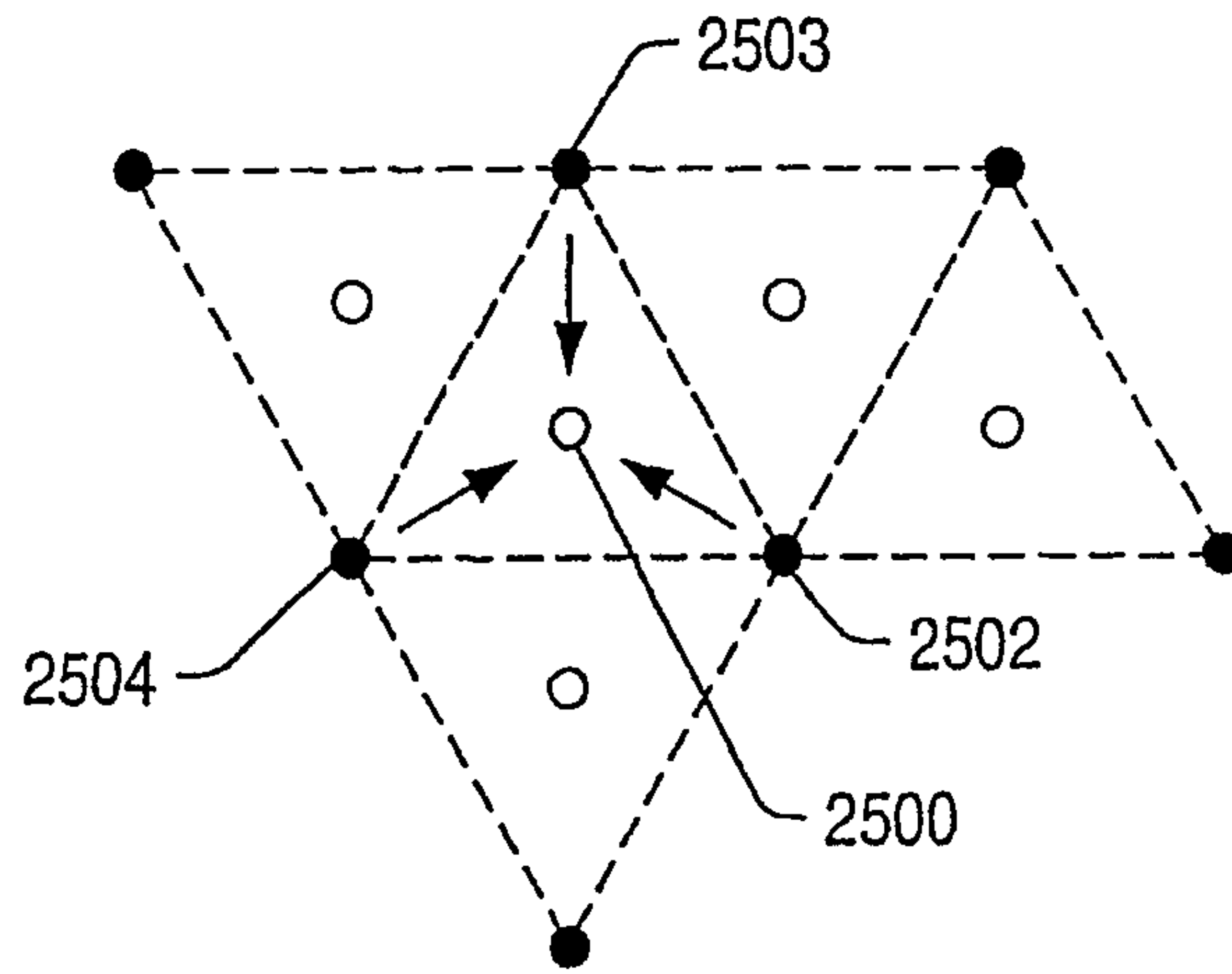


FIG. 51

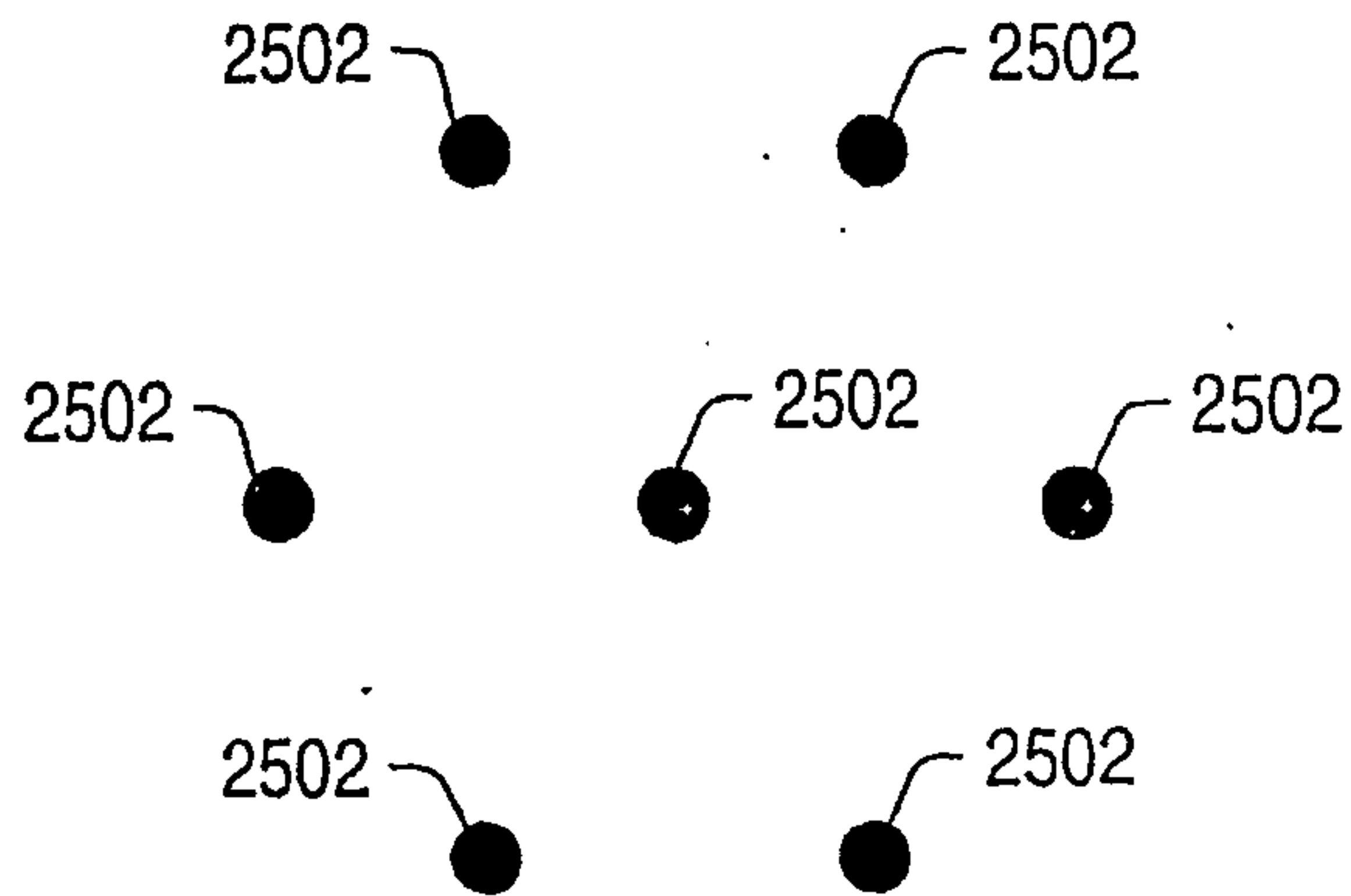


FIG. 52

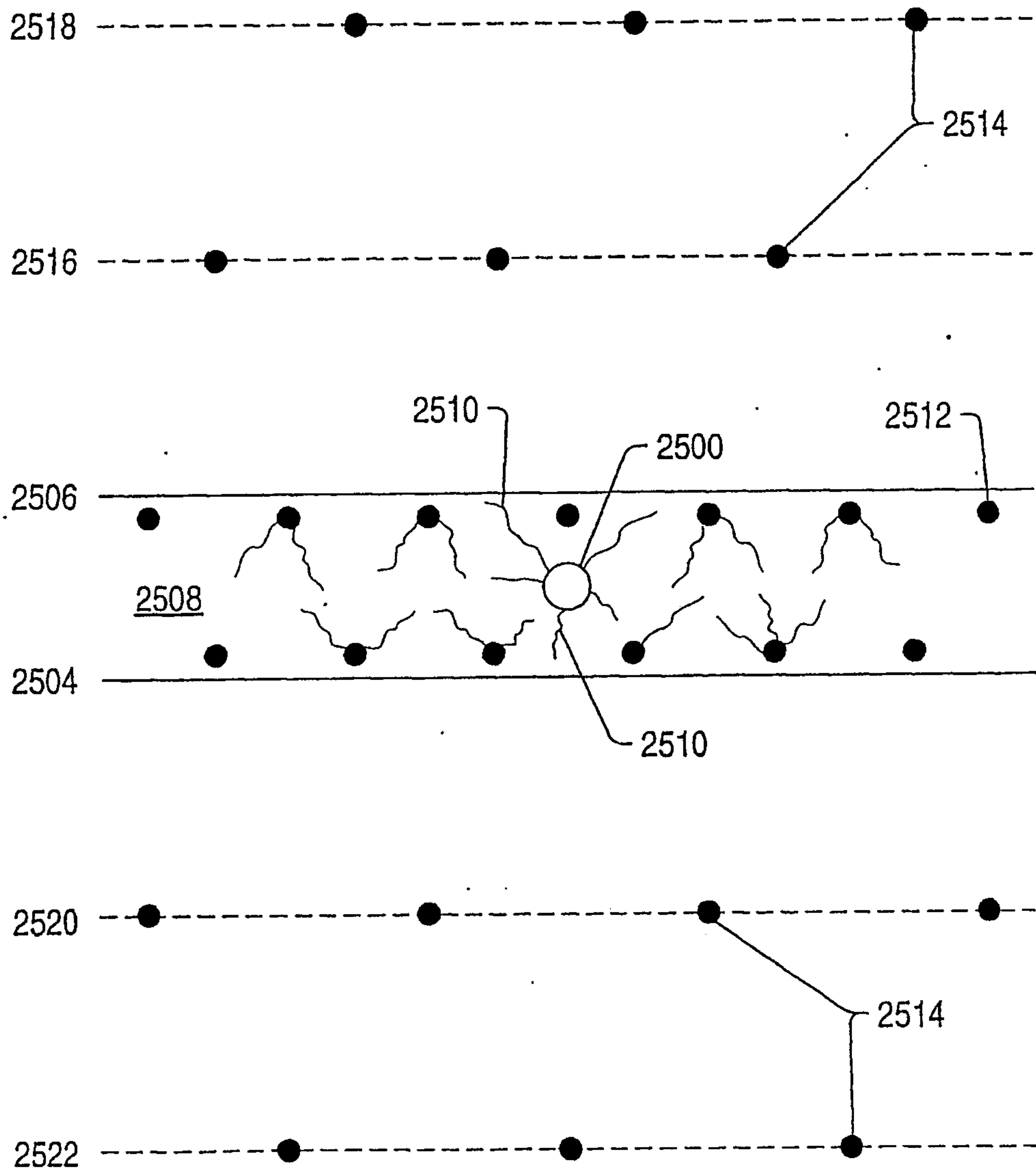


FIG. 53

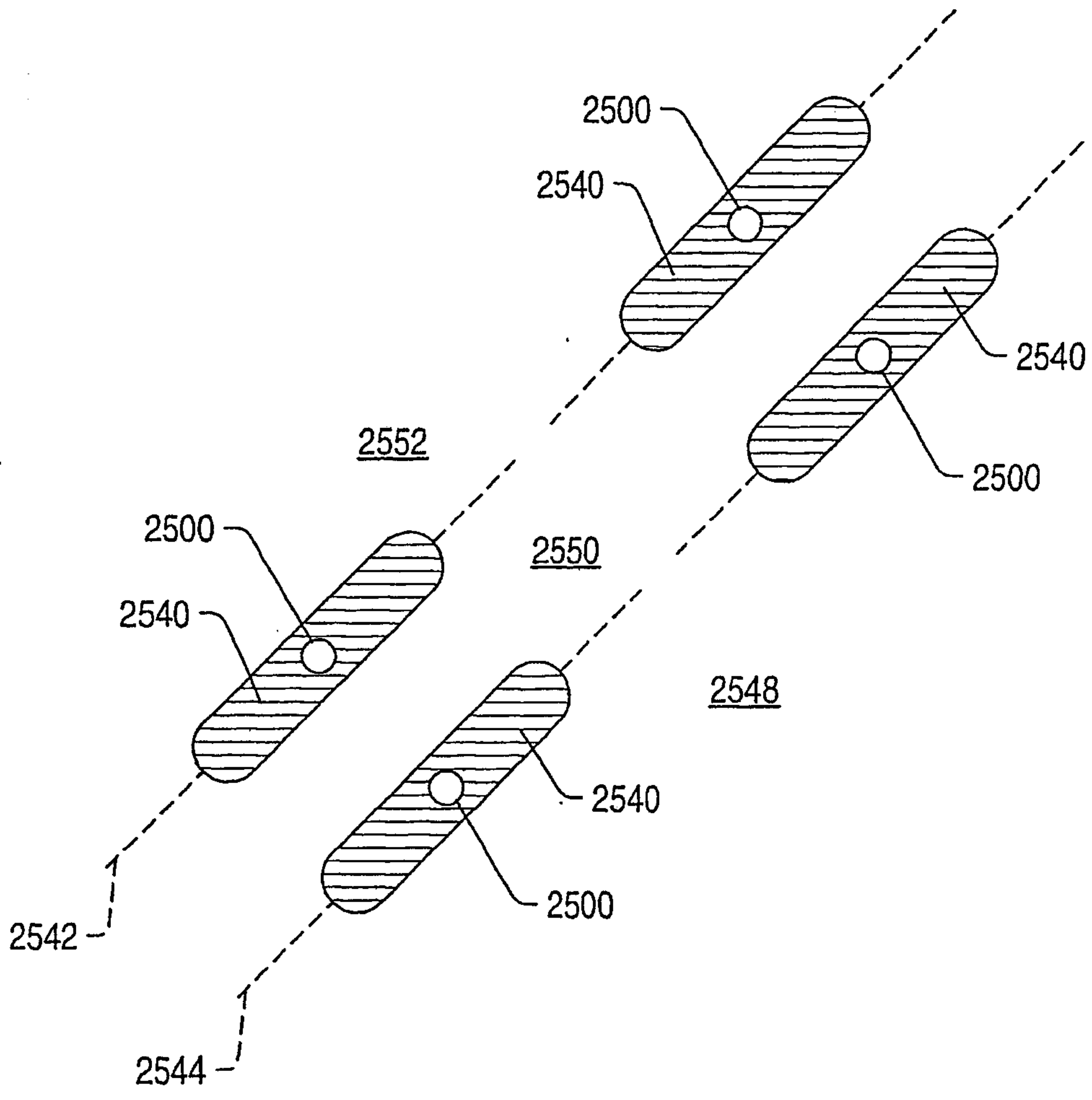


FIG. 54

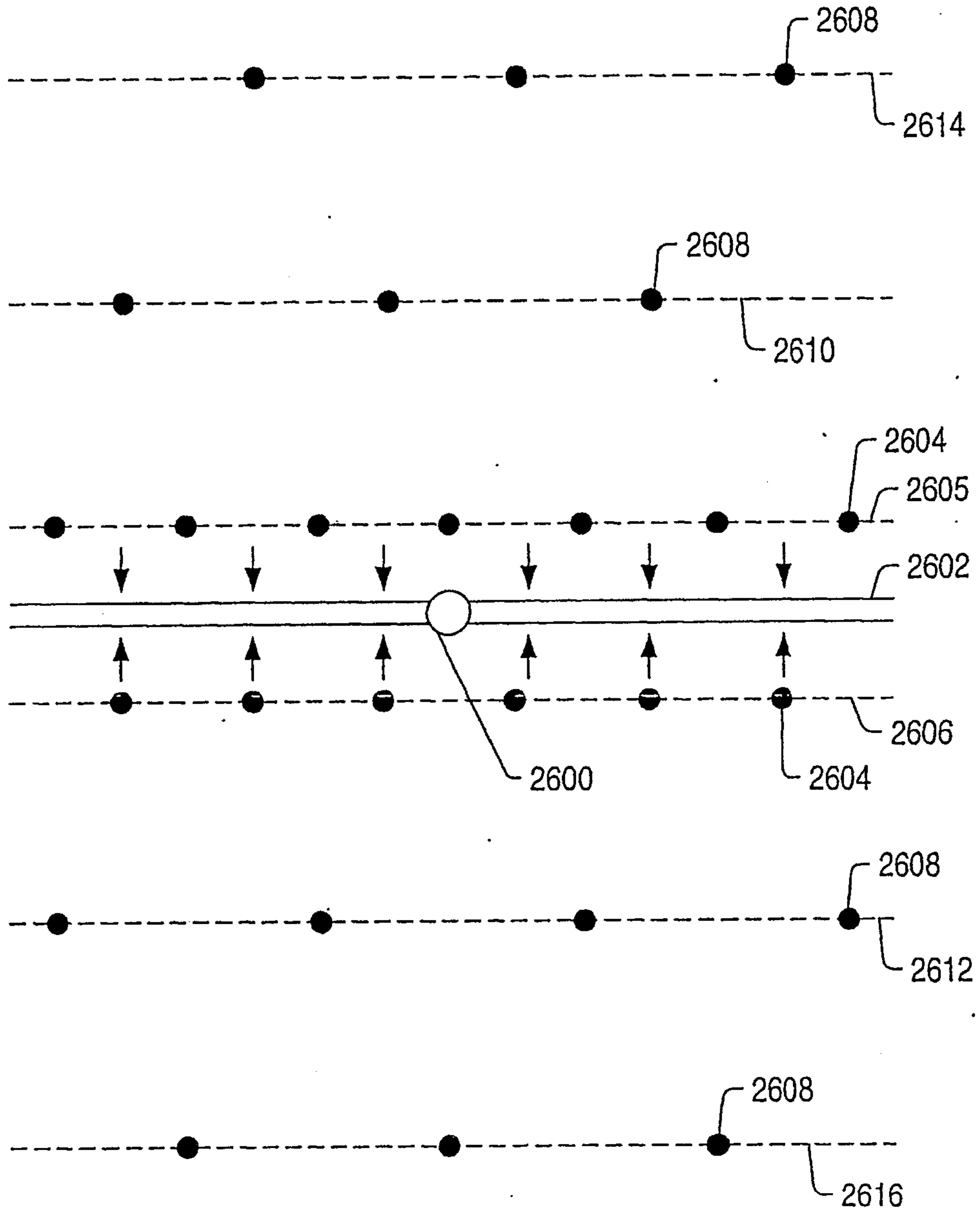


FIG. 55

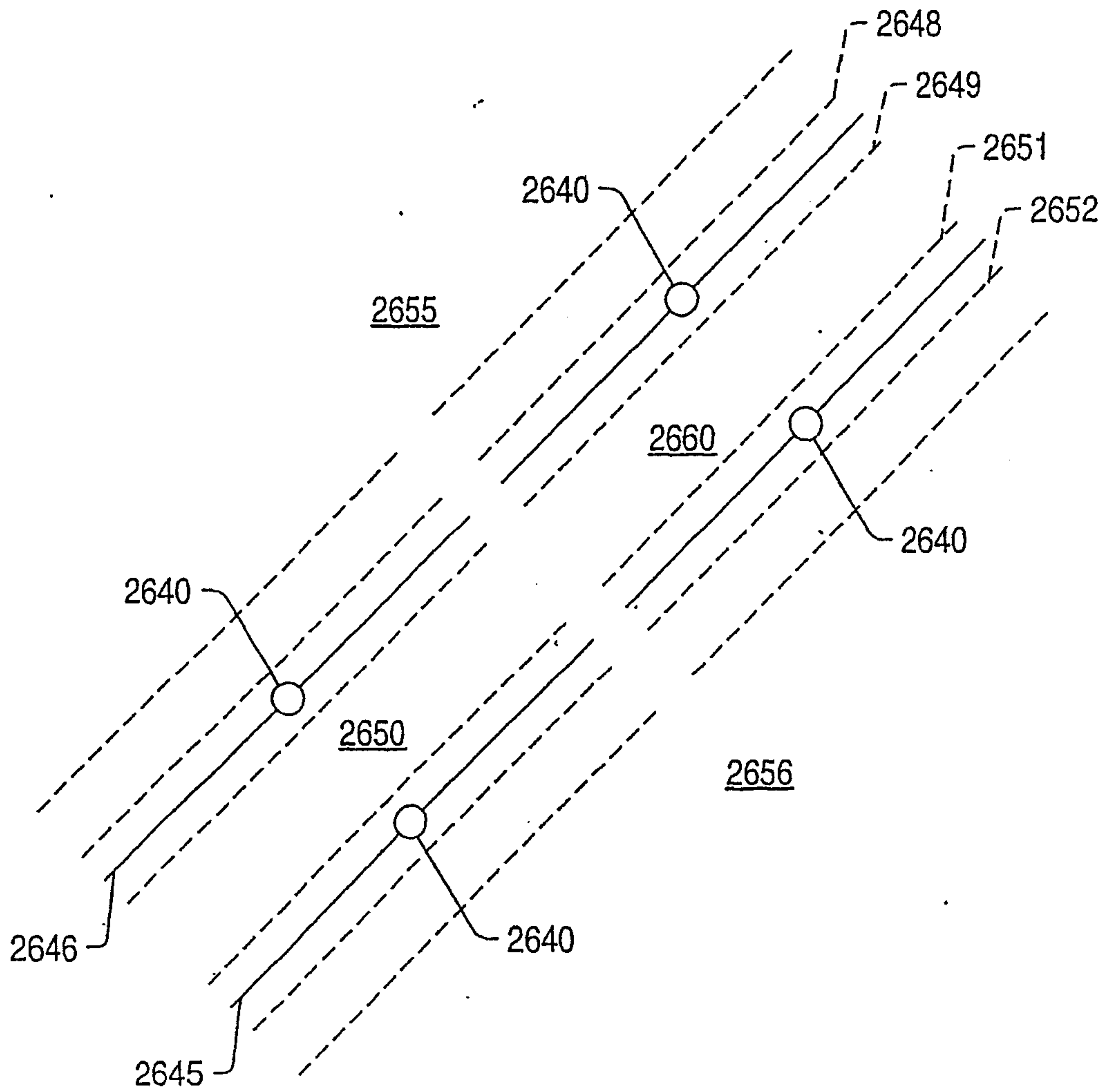


FIG. 56

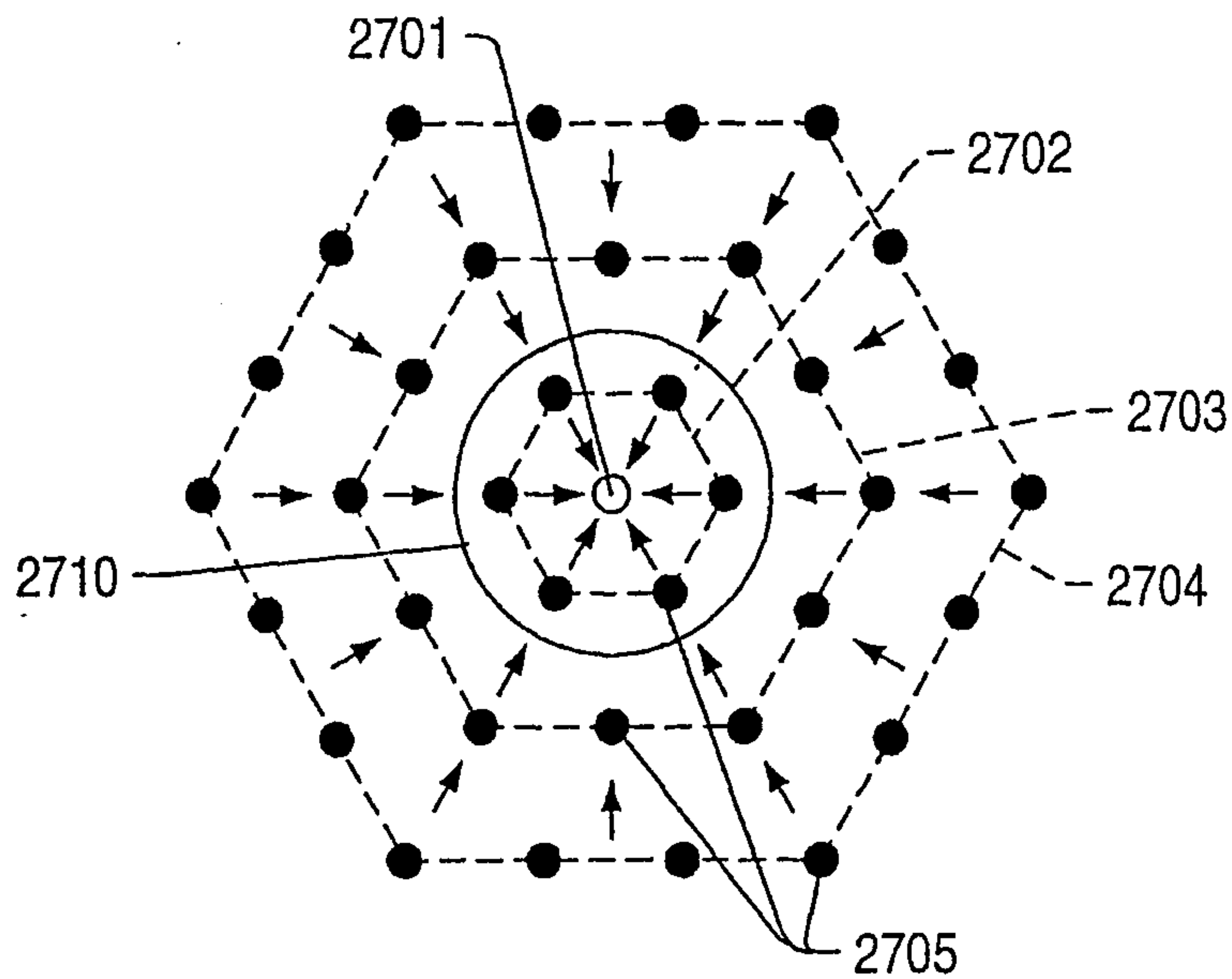


FIG. 57

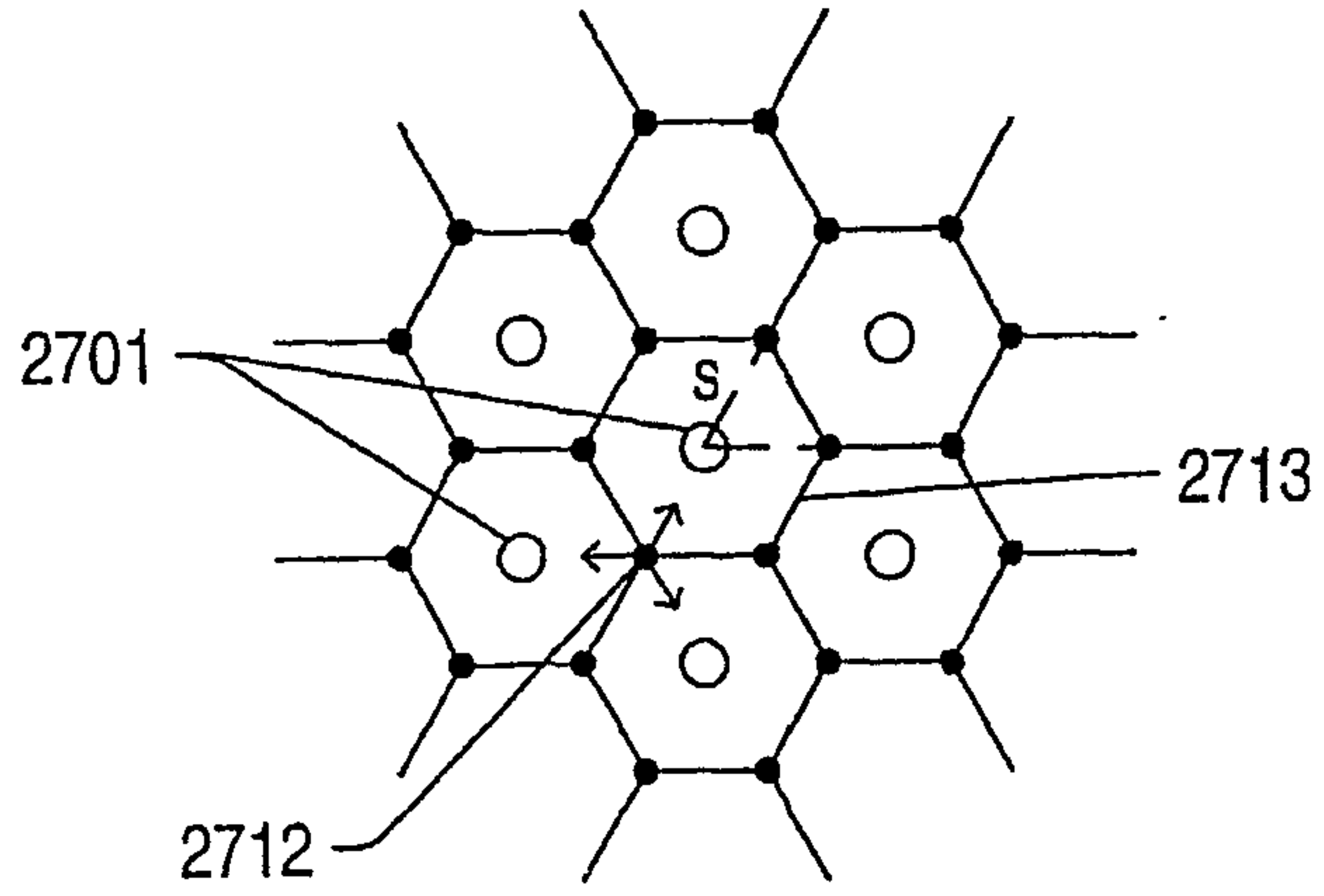


FIG. 58

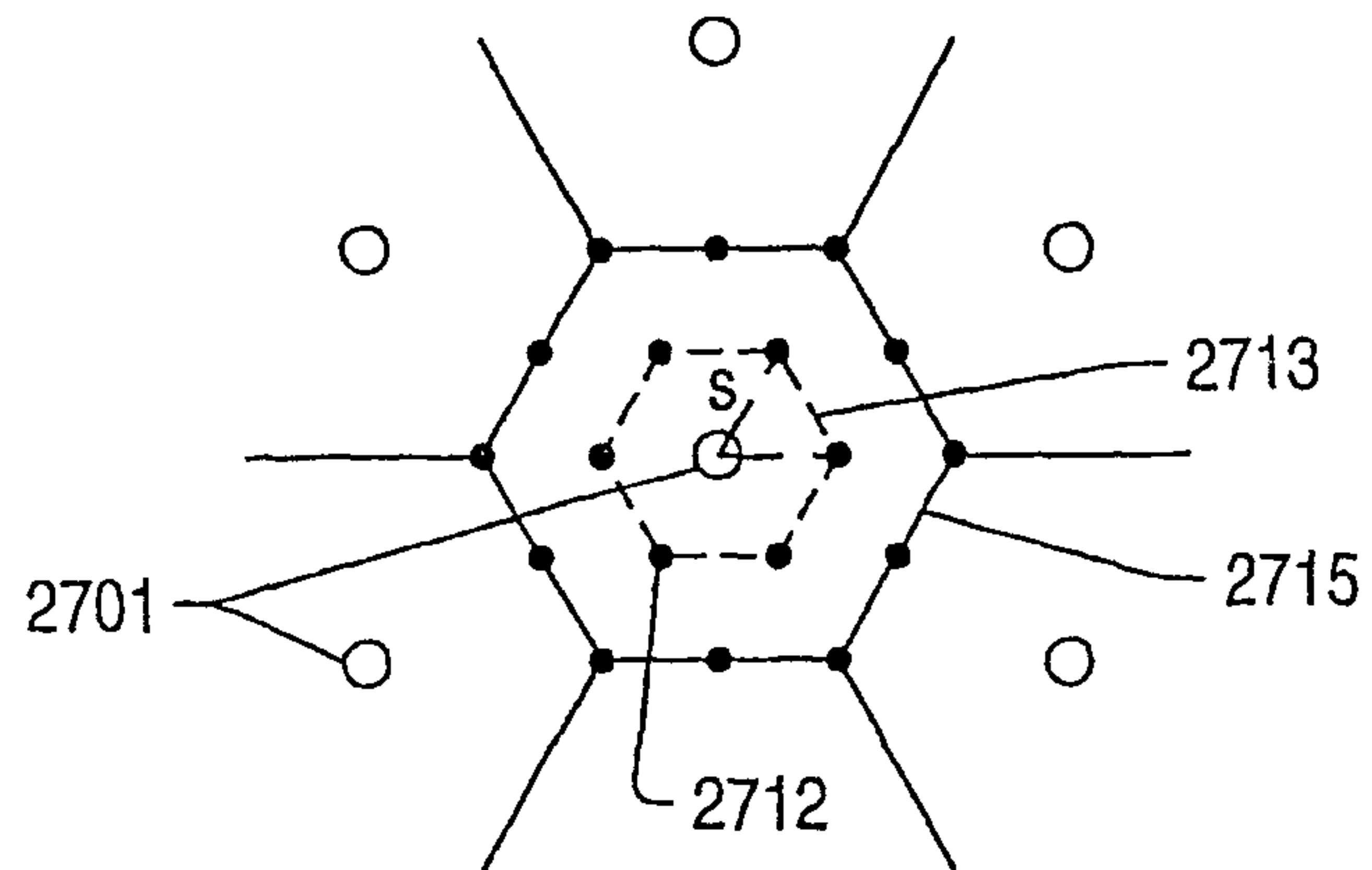


FIG. 59

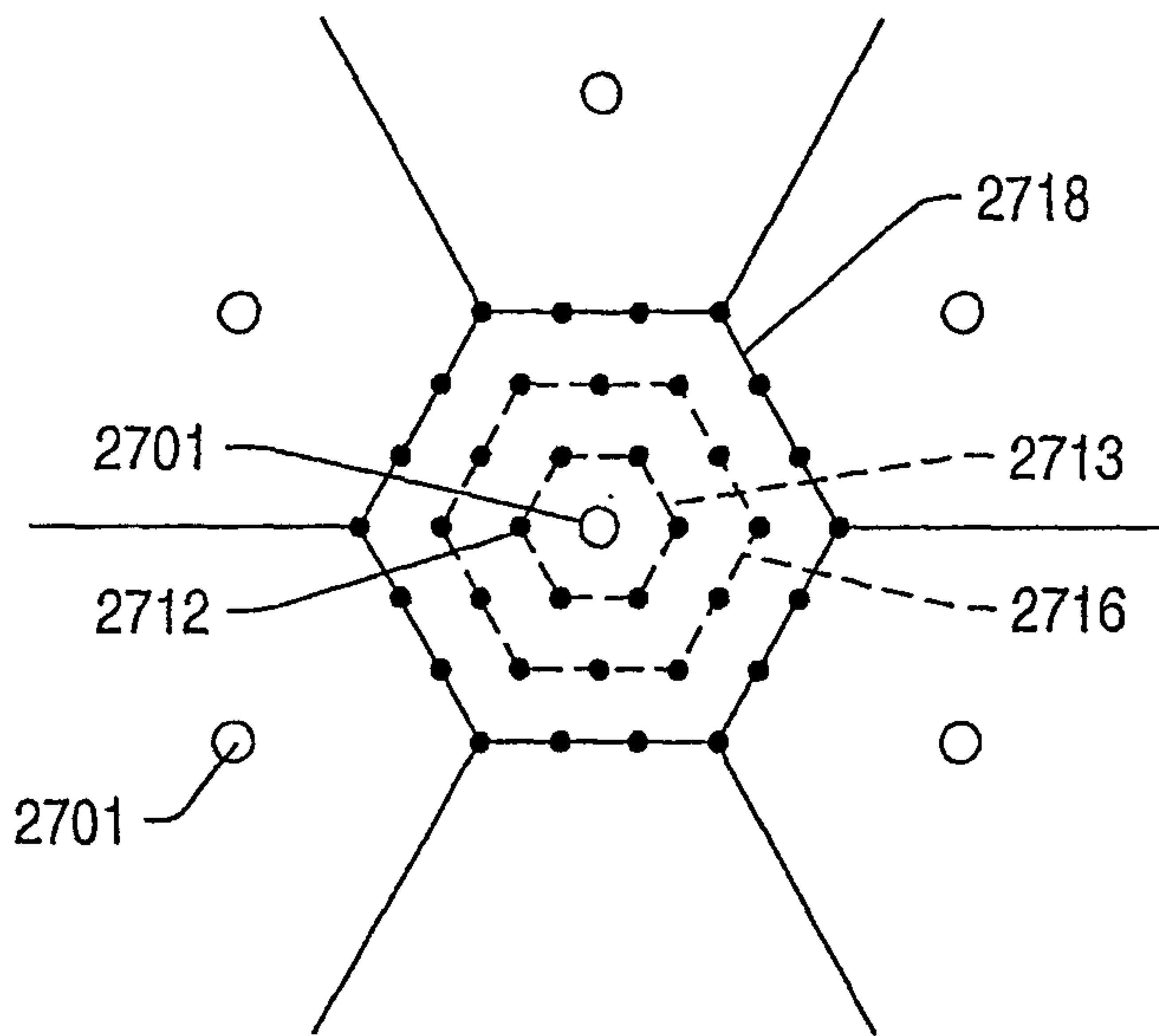


FIG. 60

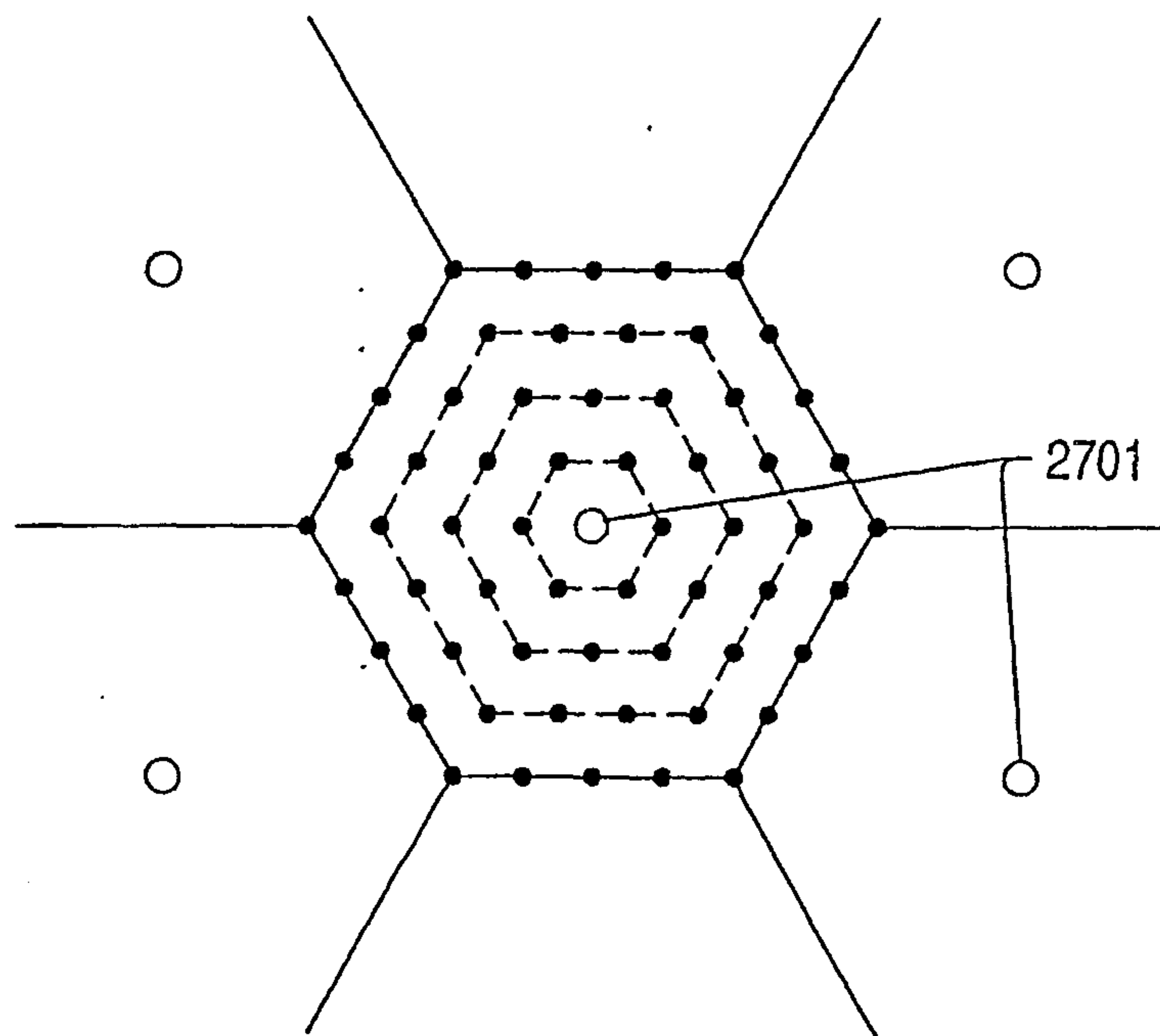


FIG. 61

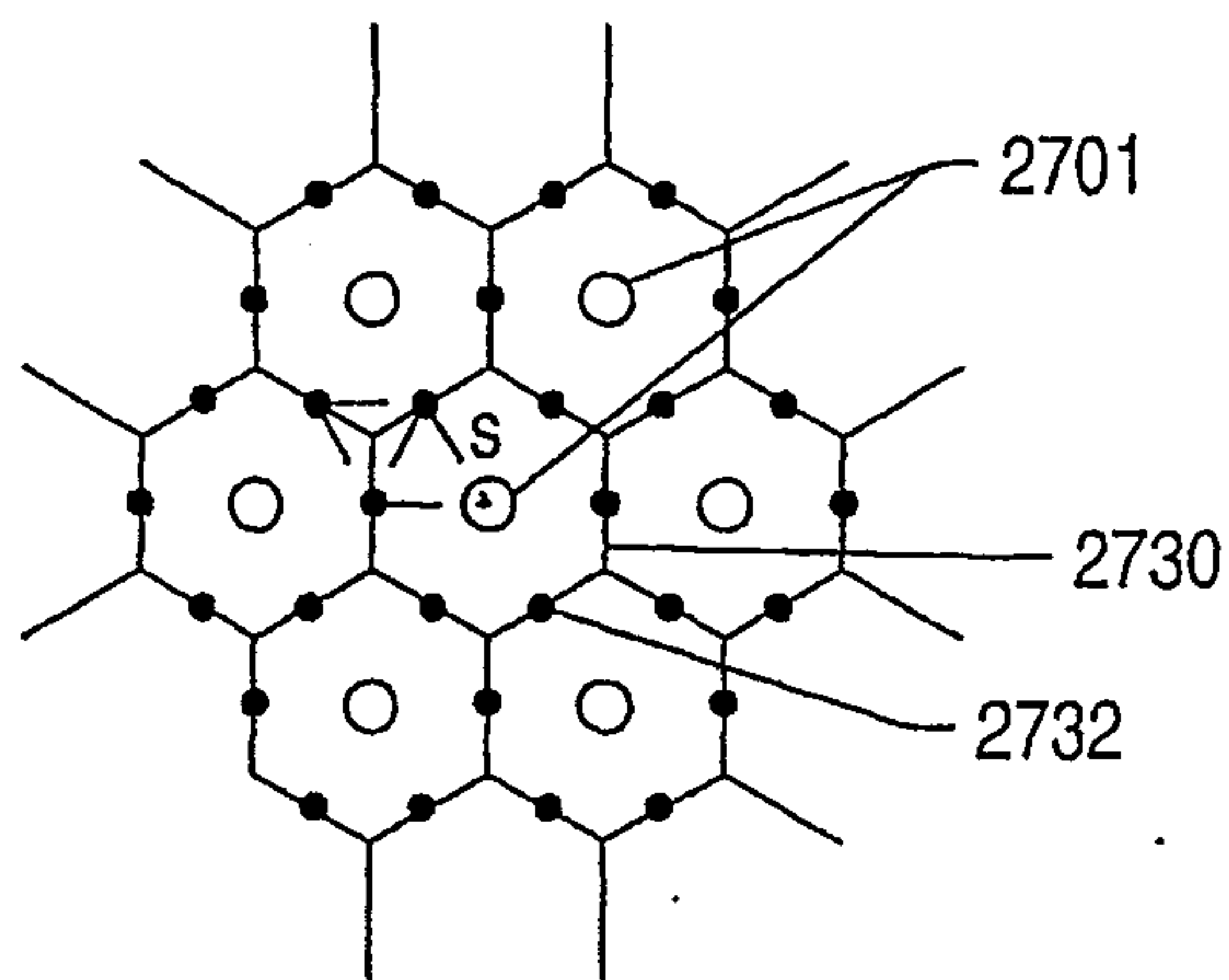


FIG. 62

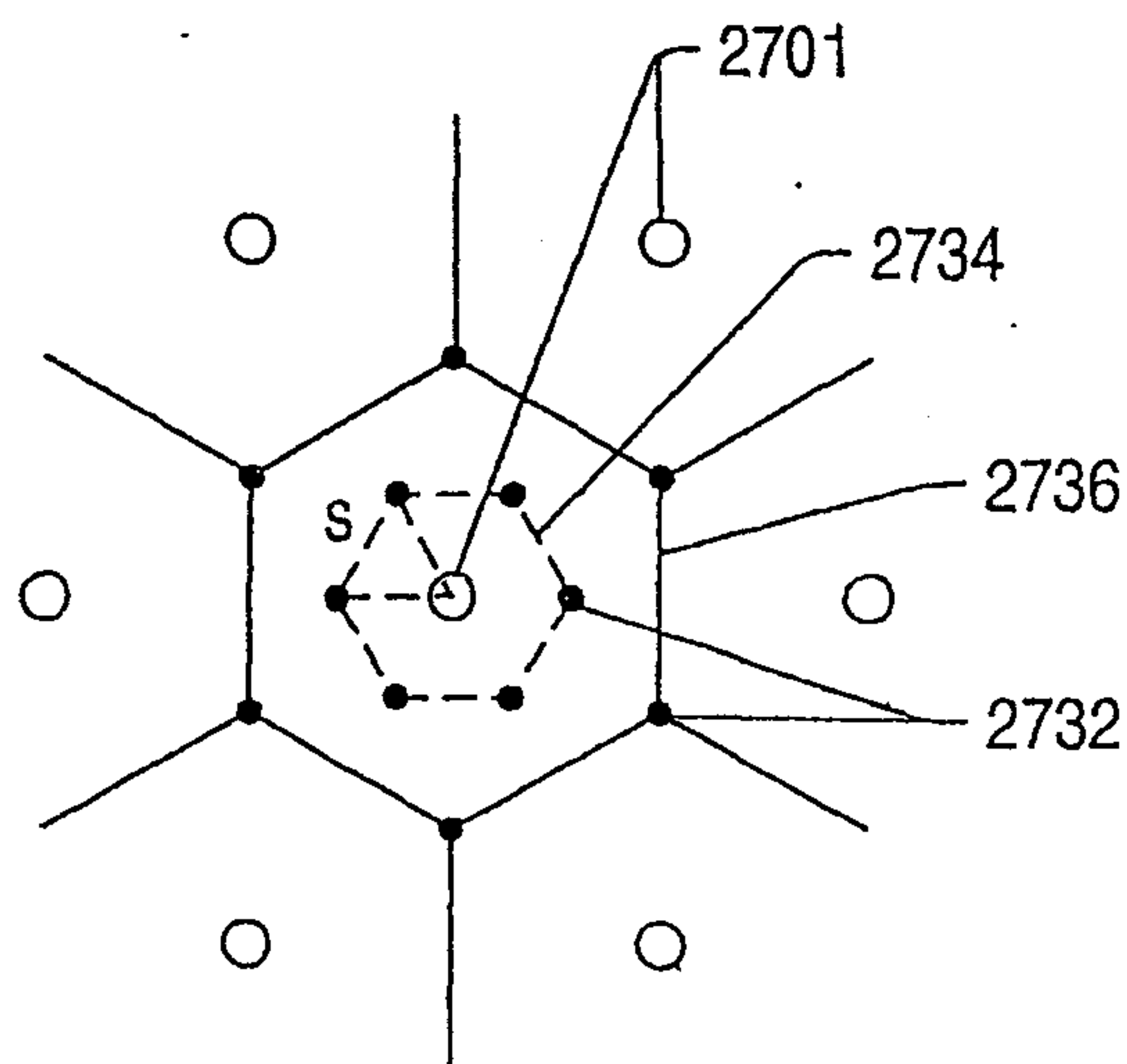


FIG. 63

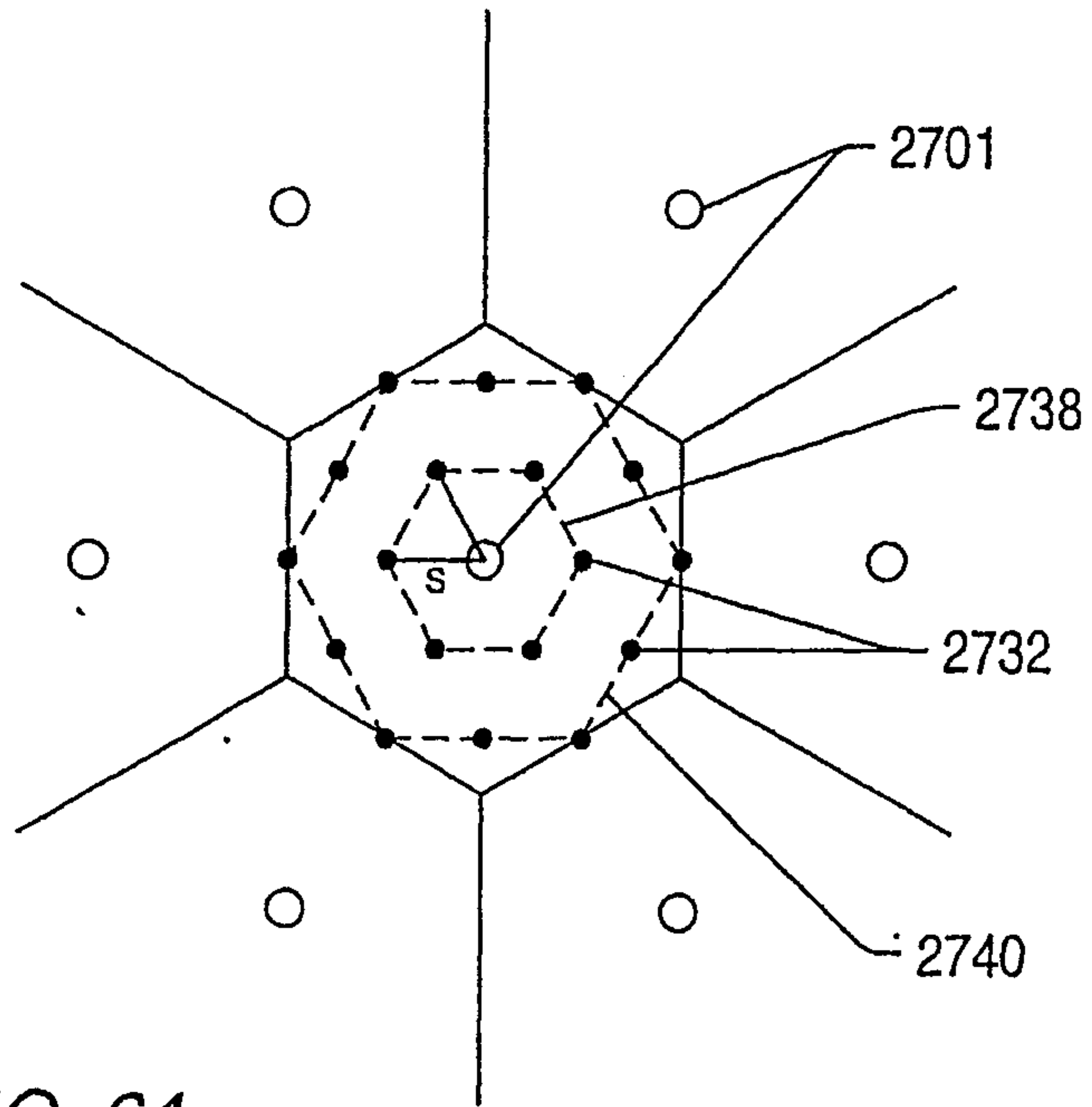


FIG. 64

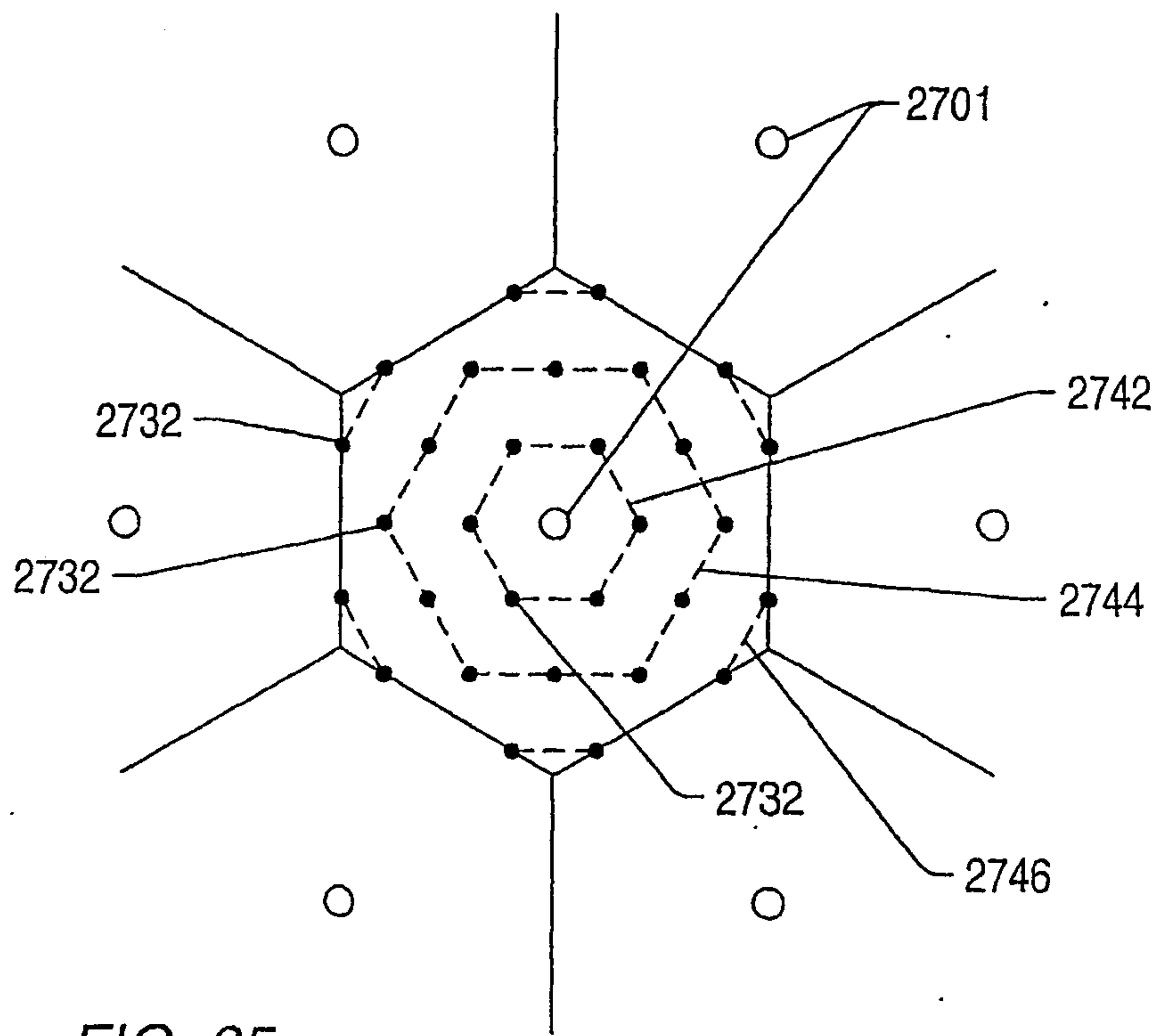


FIG. 65

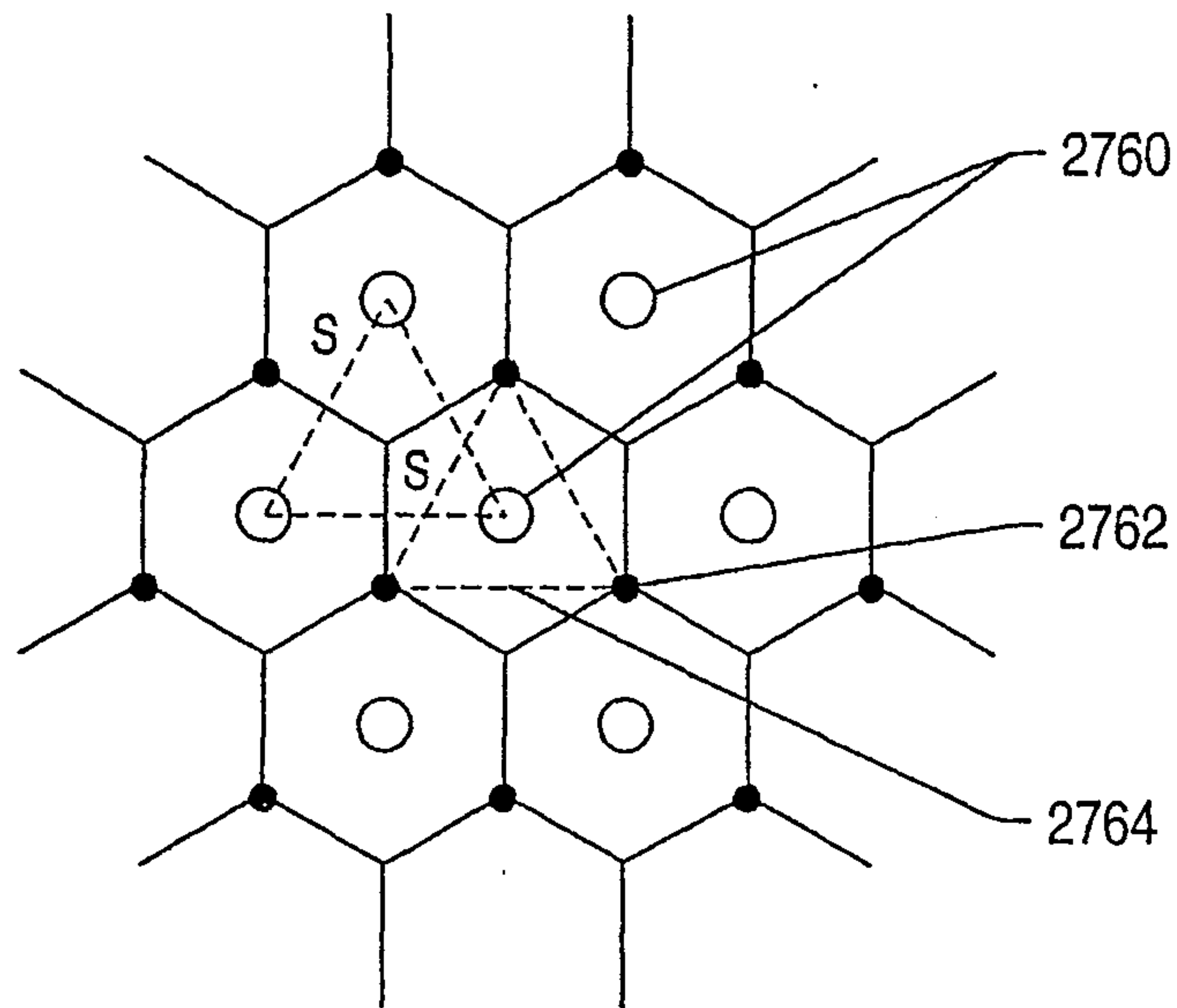


FIG. 66

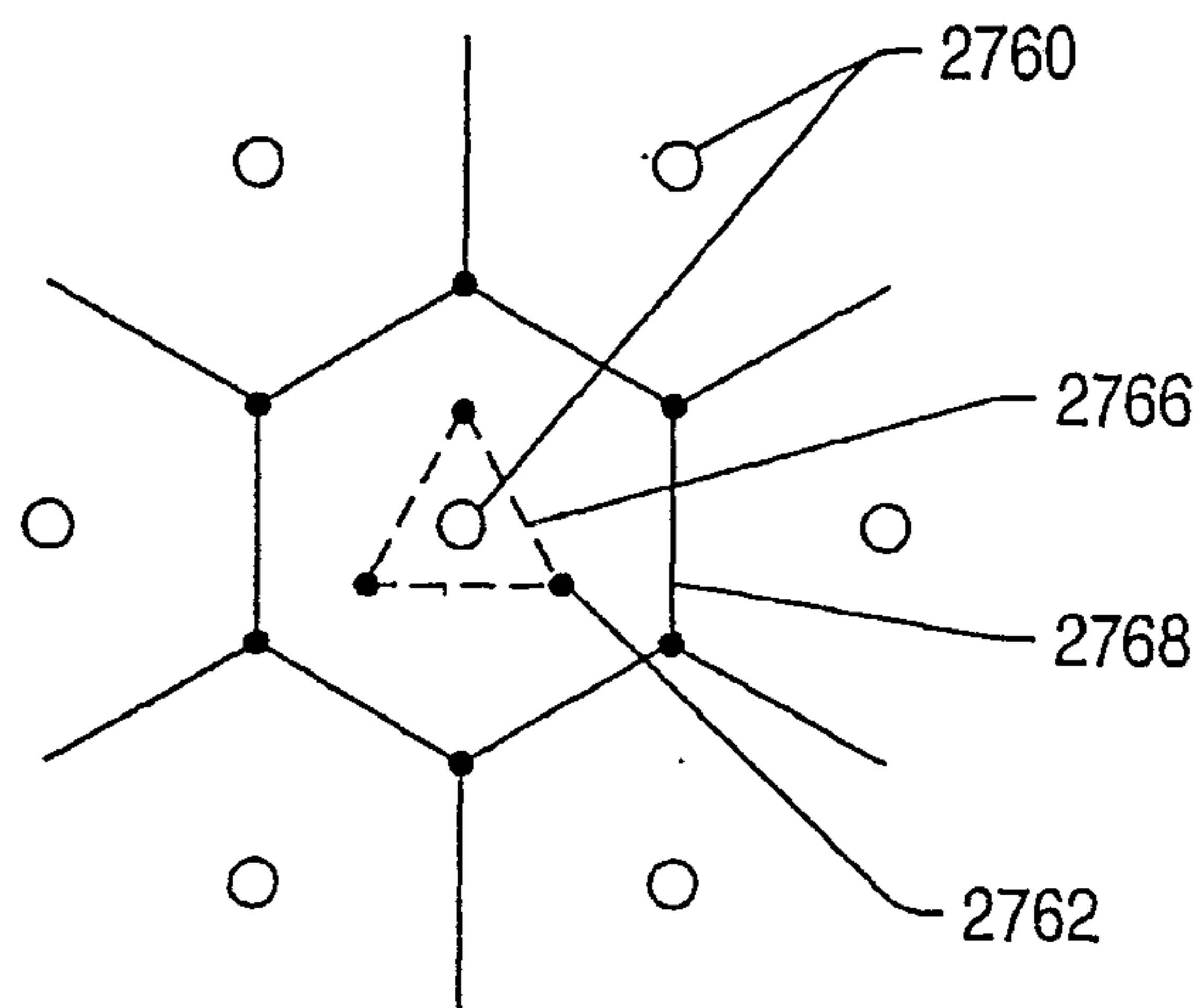


FIG. 67

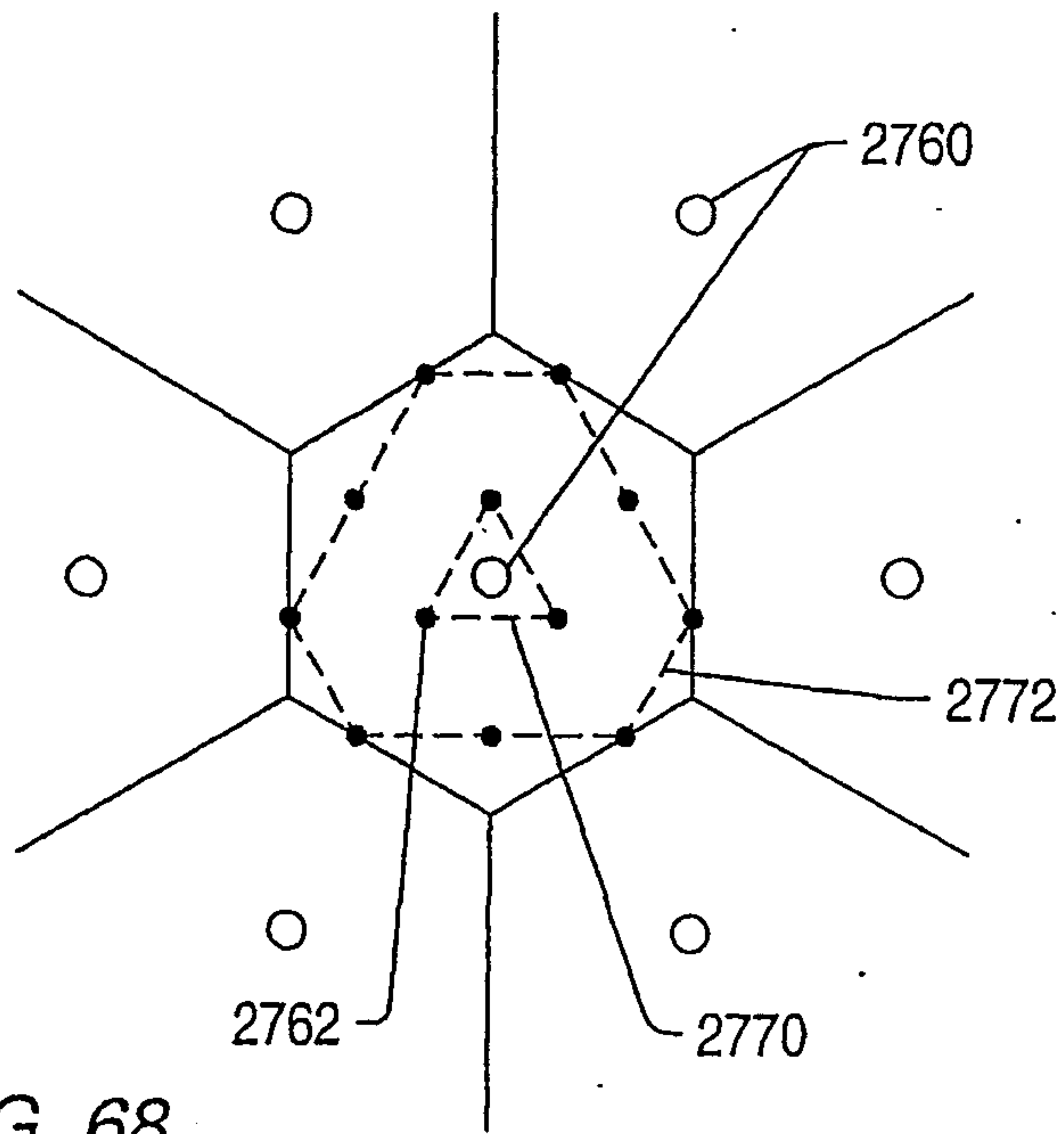


FIG. 68

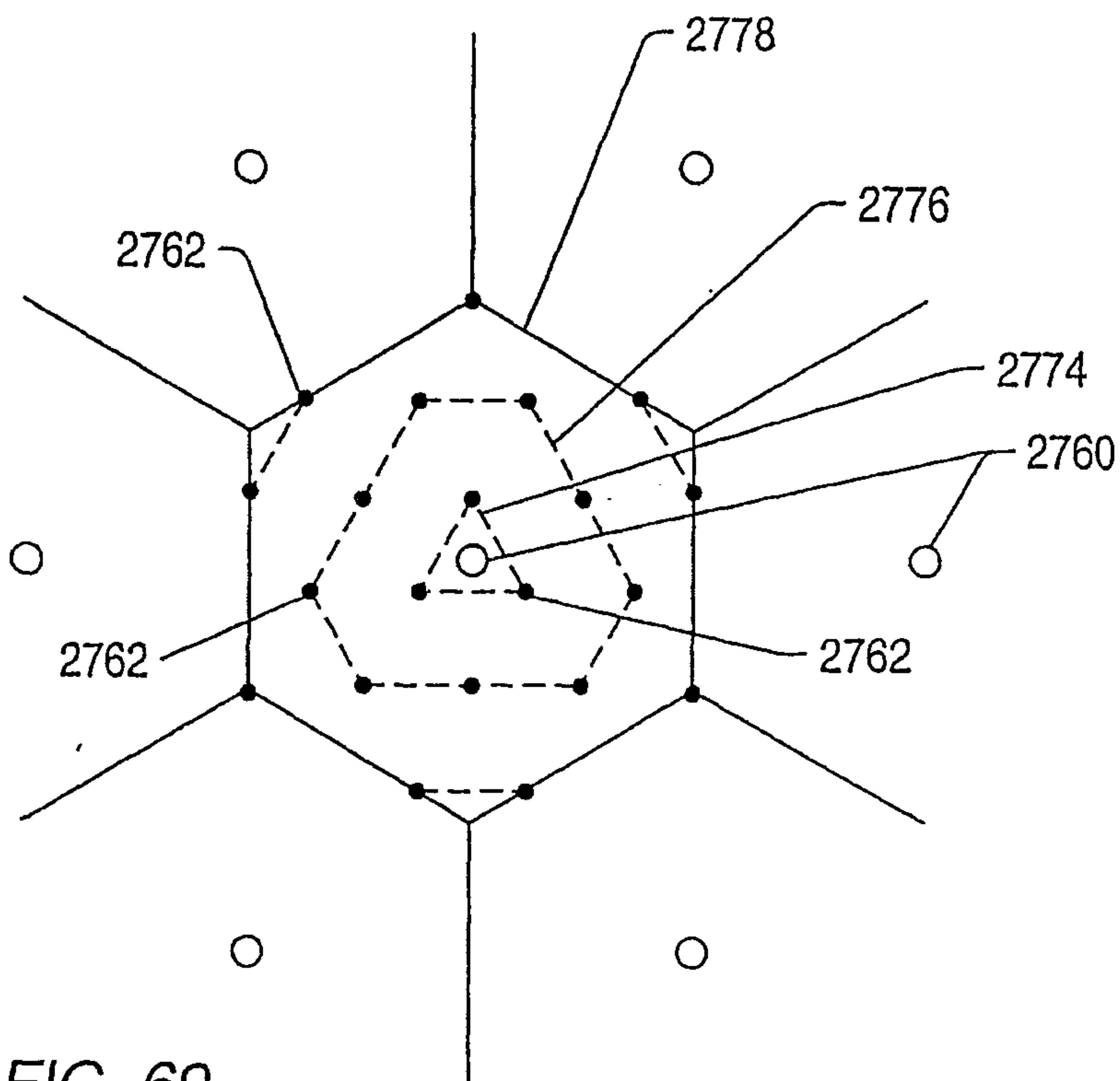


FIG. 69

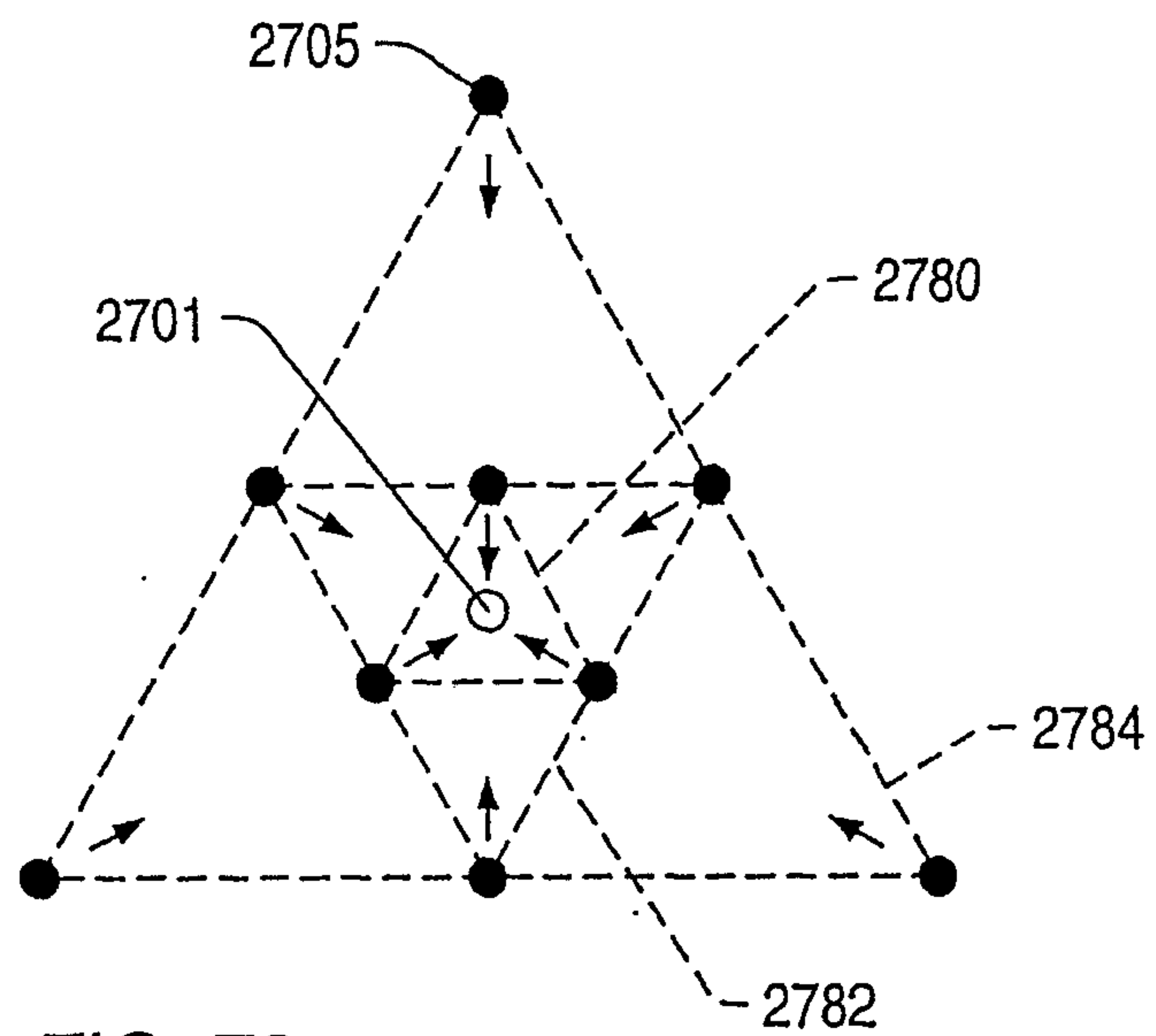


FIG. 70

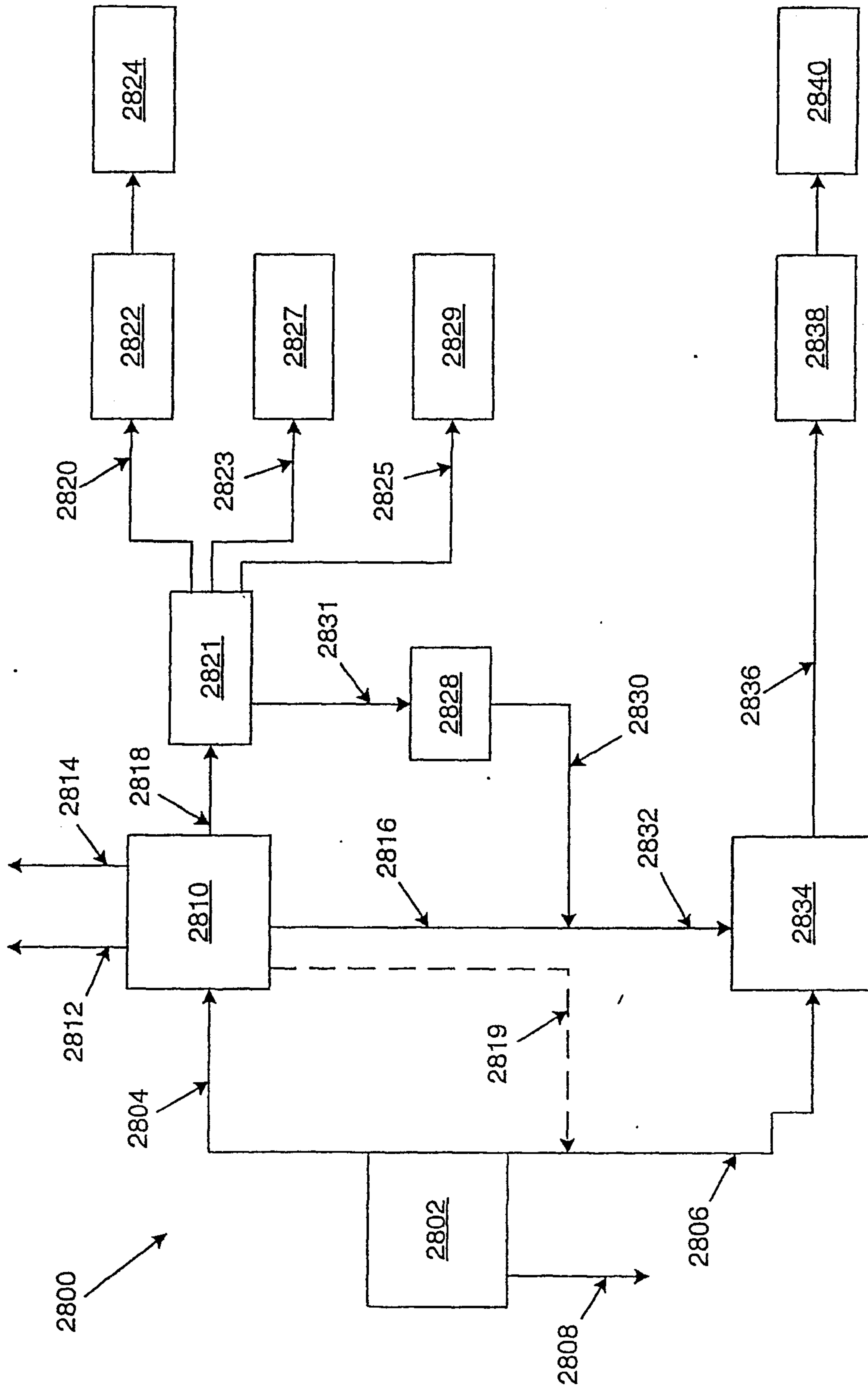


Fig. 71

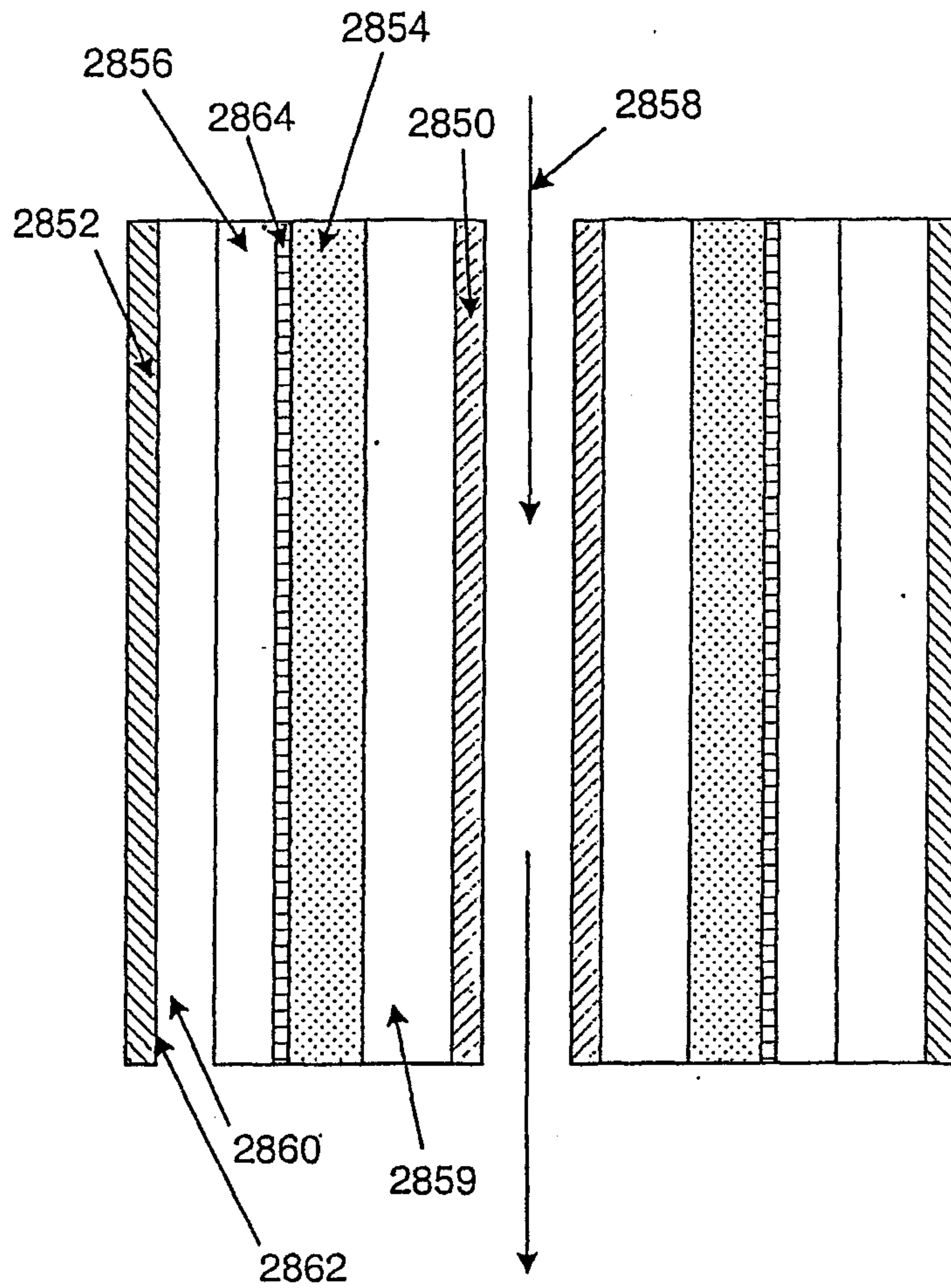


Fig. 72

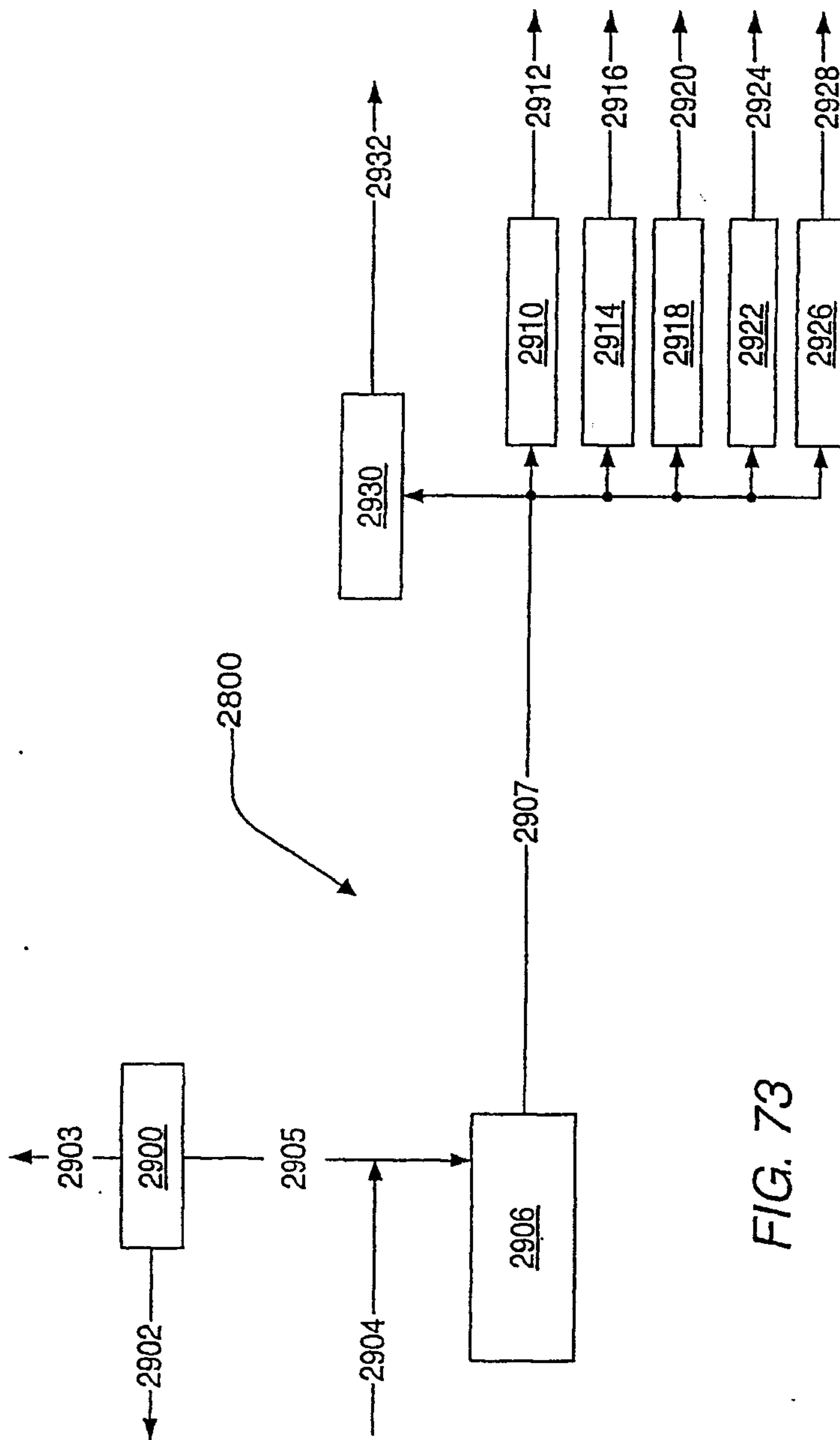


FIG. 73

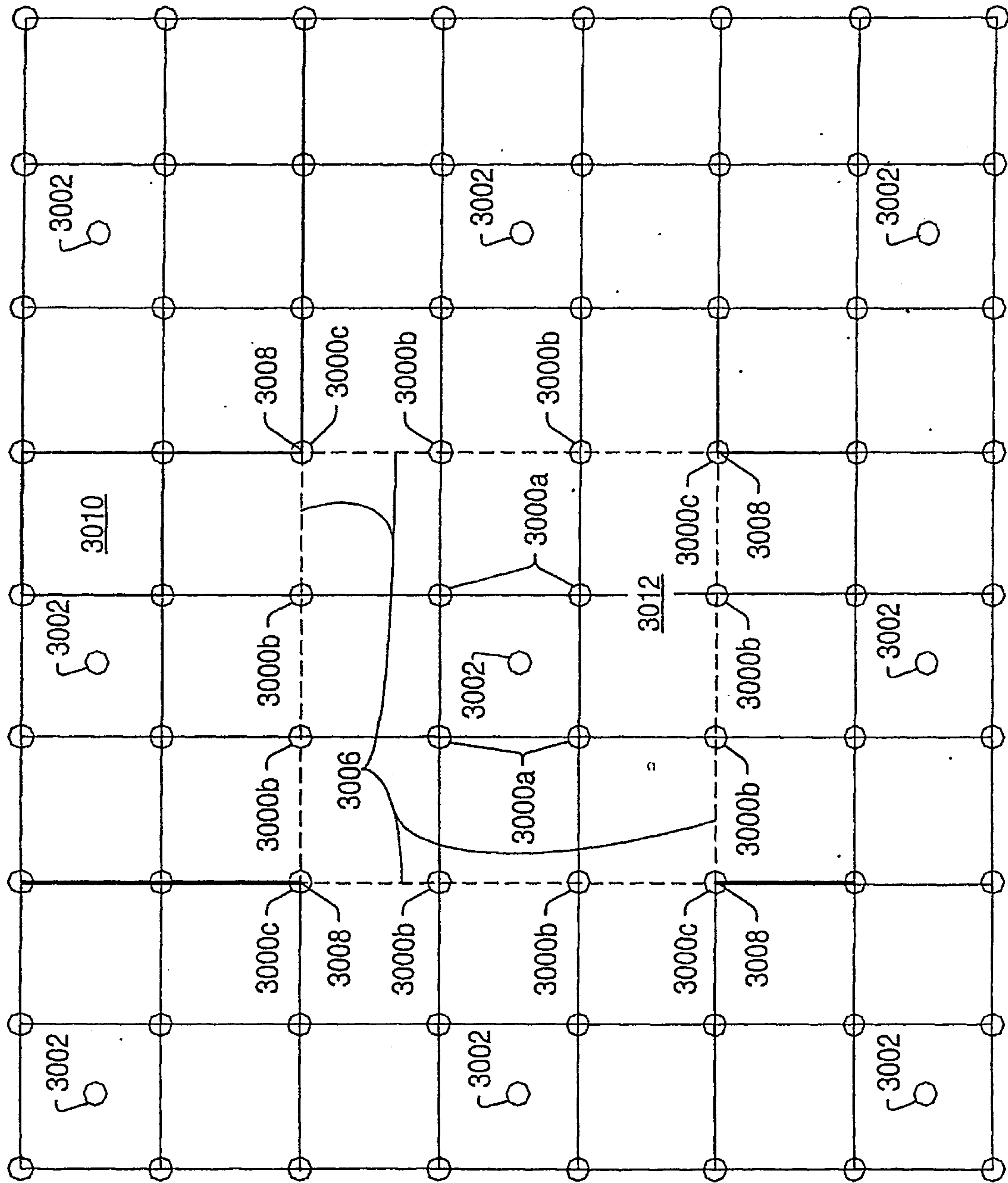


FIG. 74

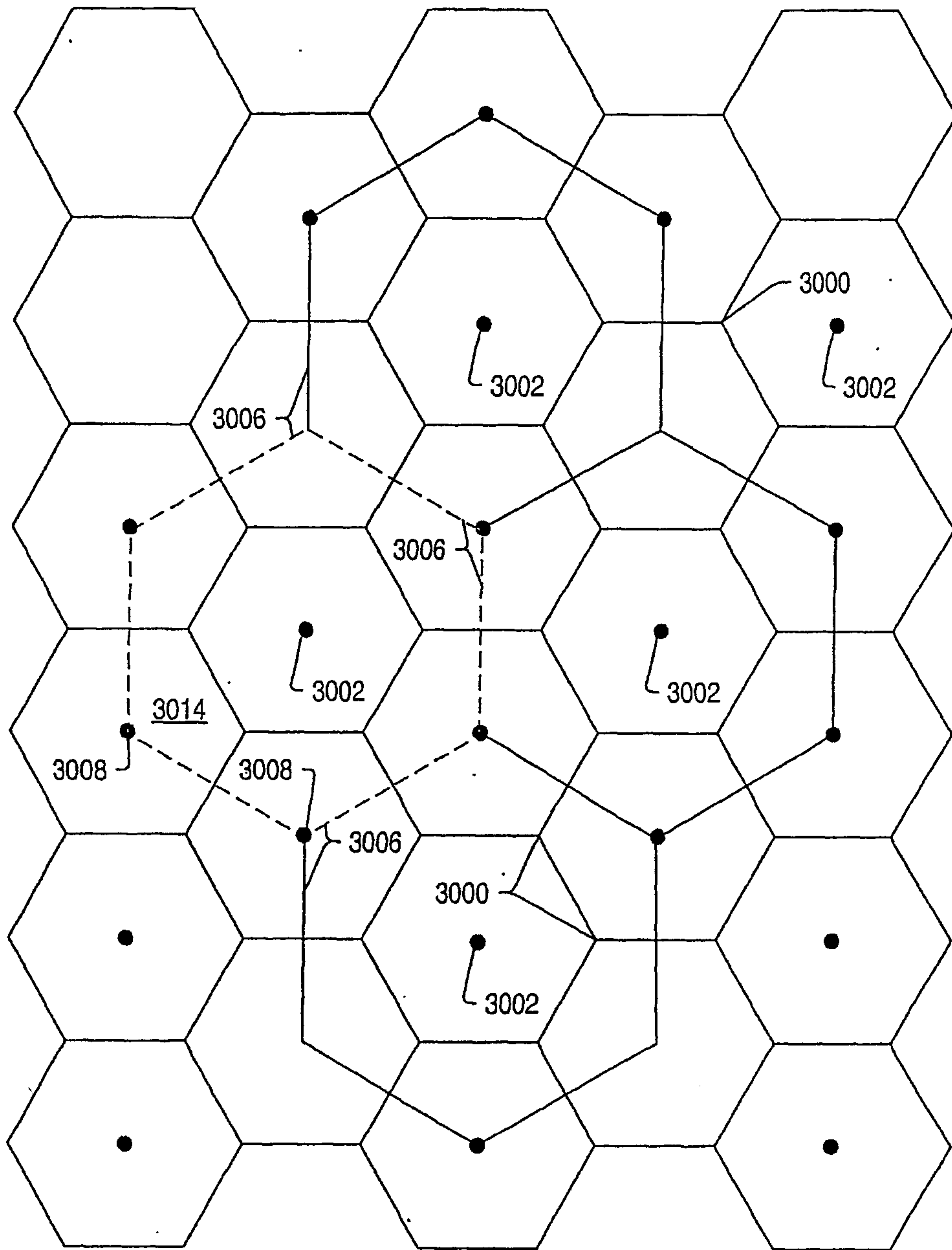


FIG. 75

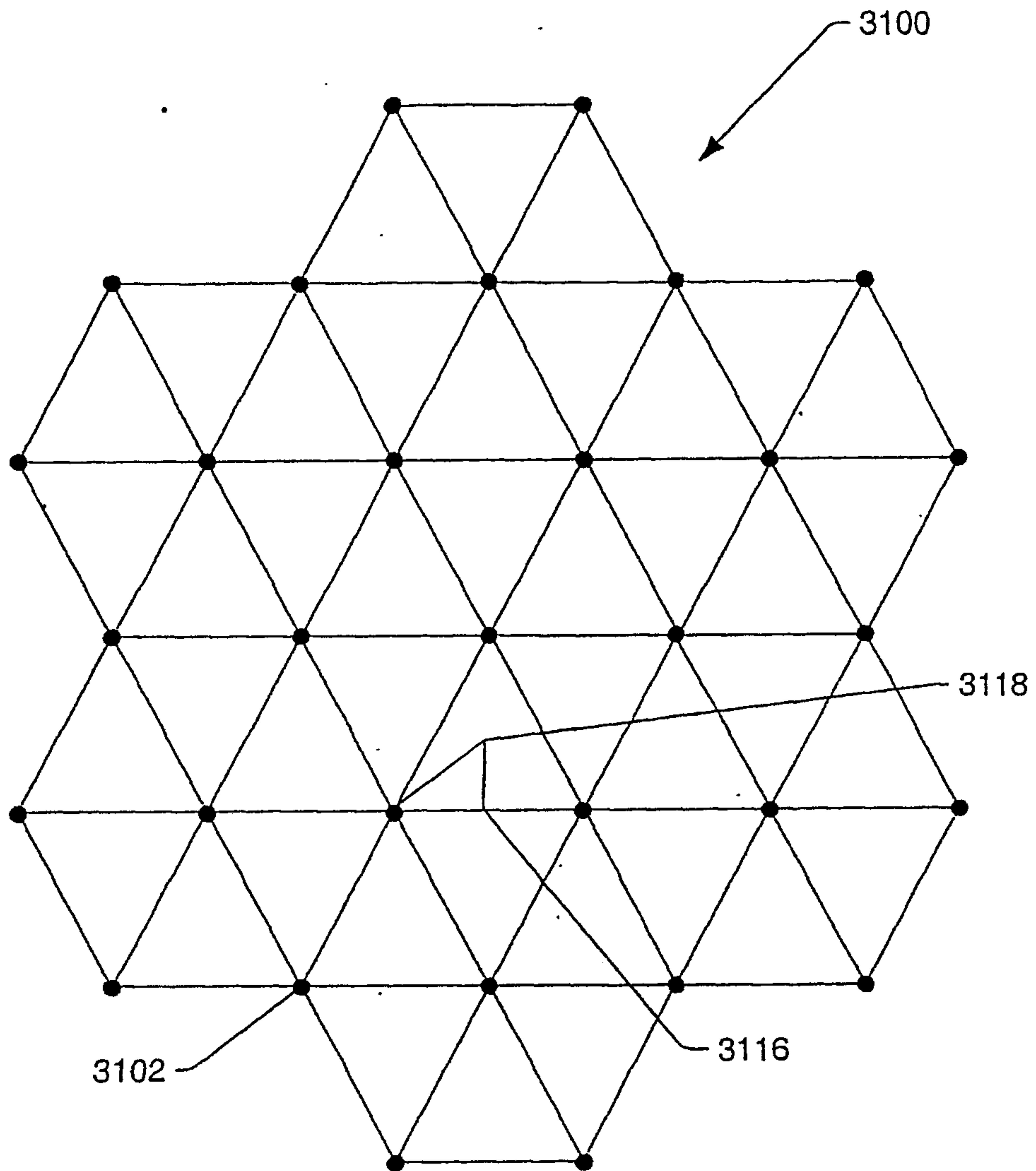


FIG. 76

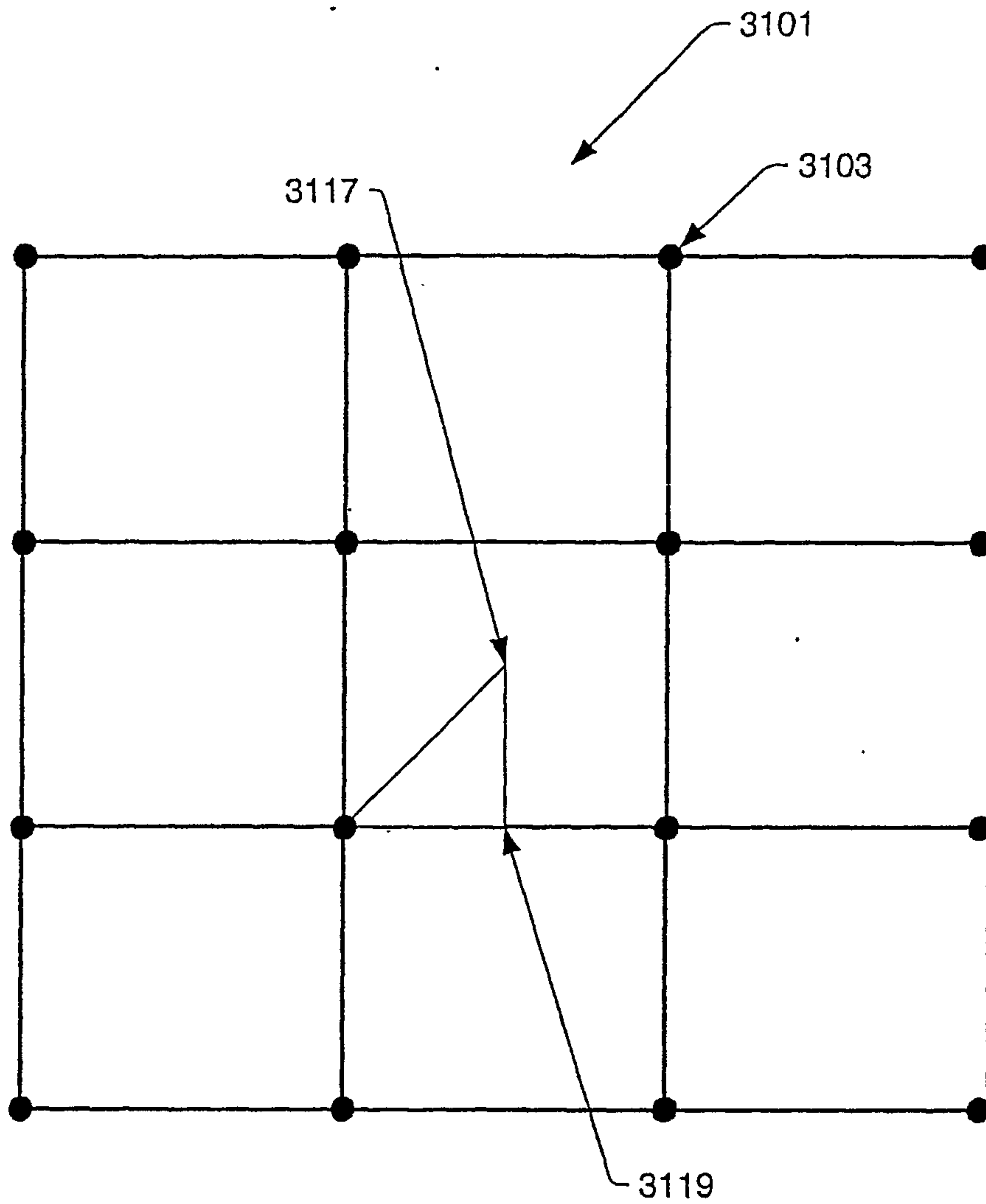


FIG. 76a

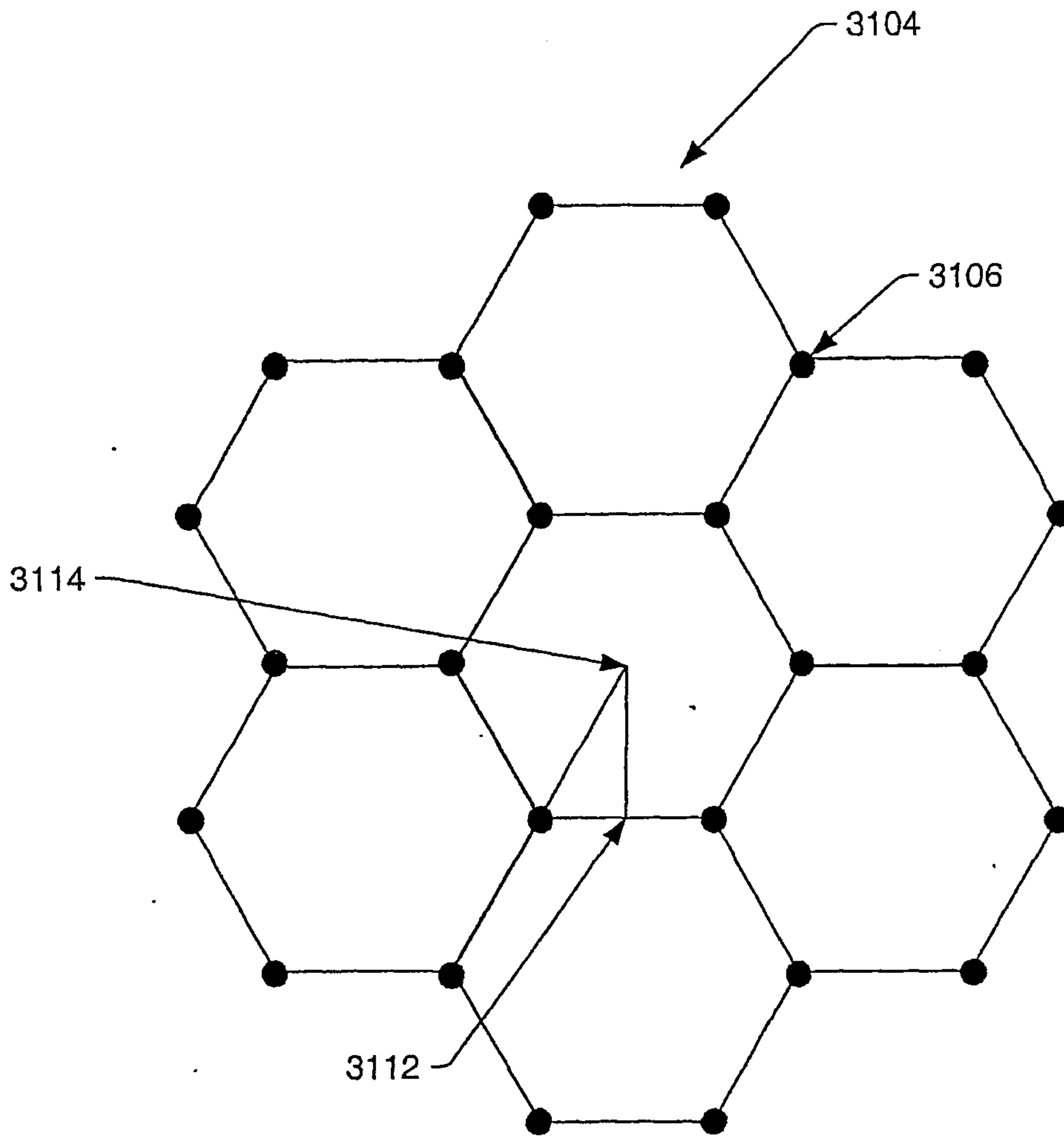


FIG. 77

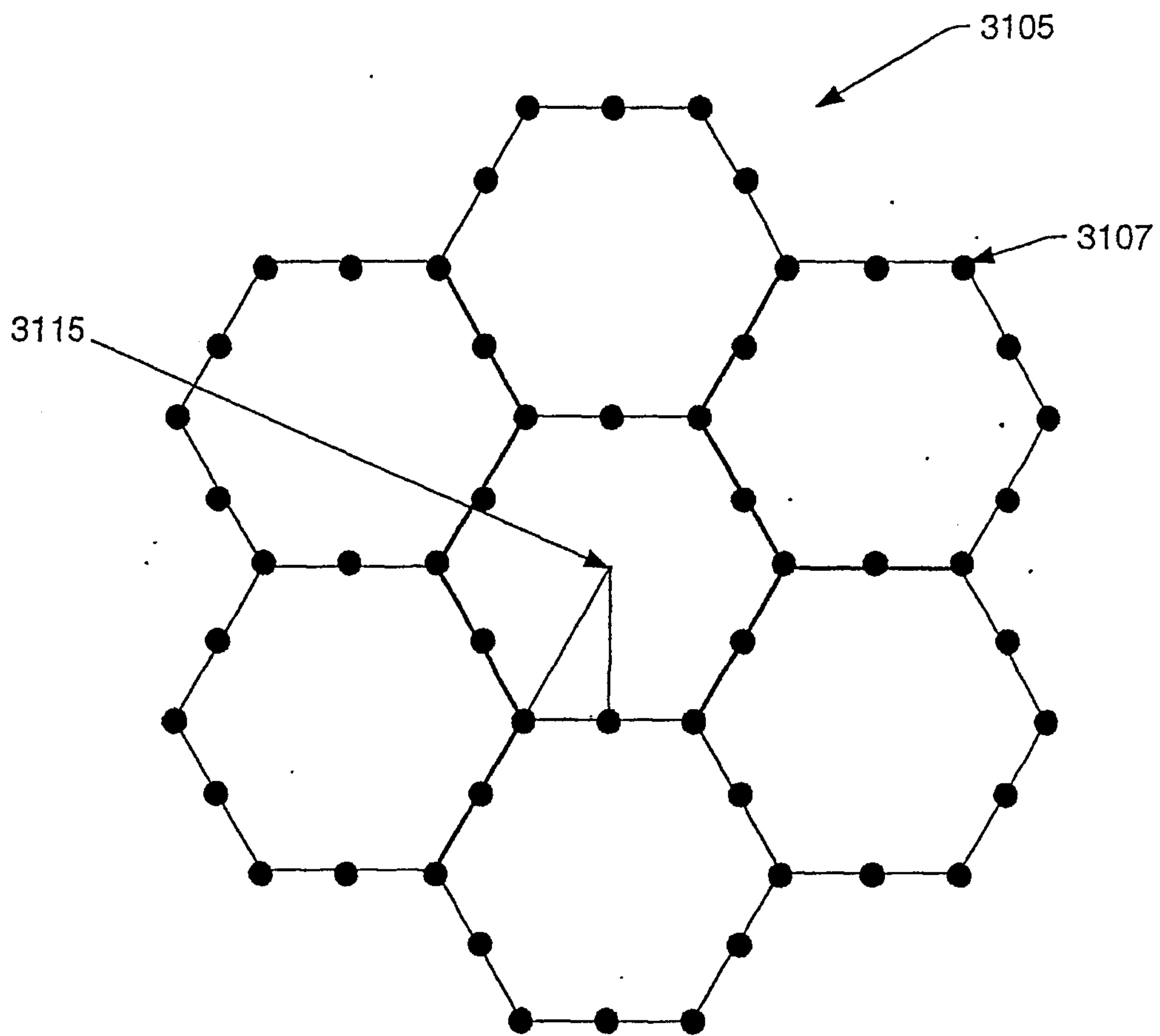


FIG. 77a

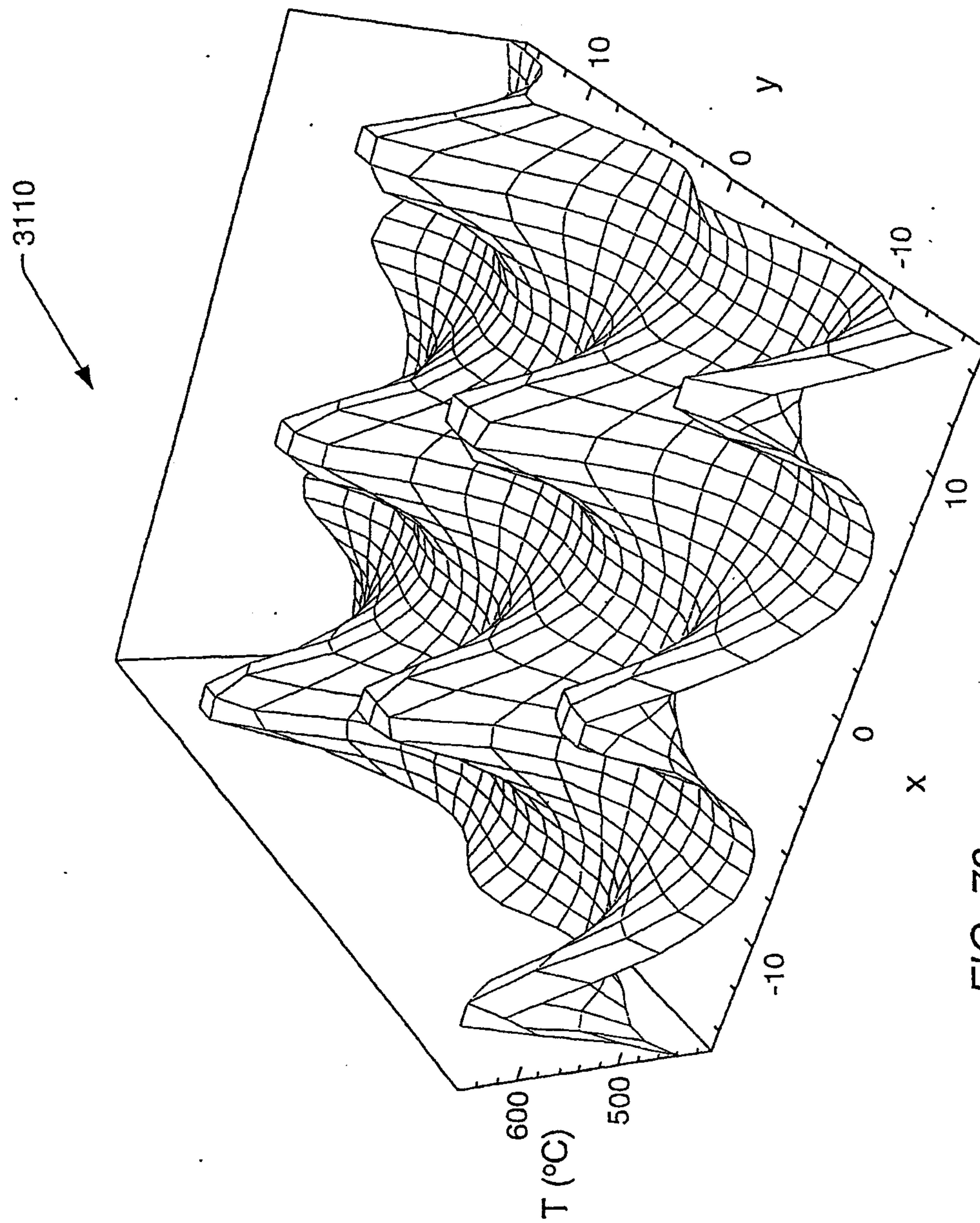


FIG. 78

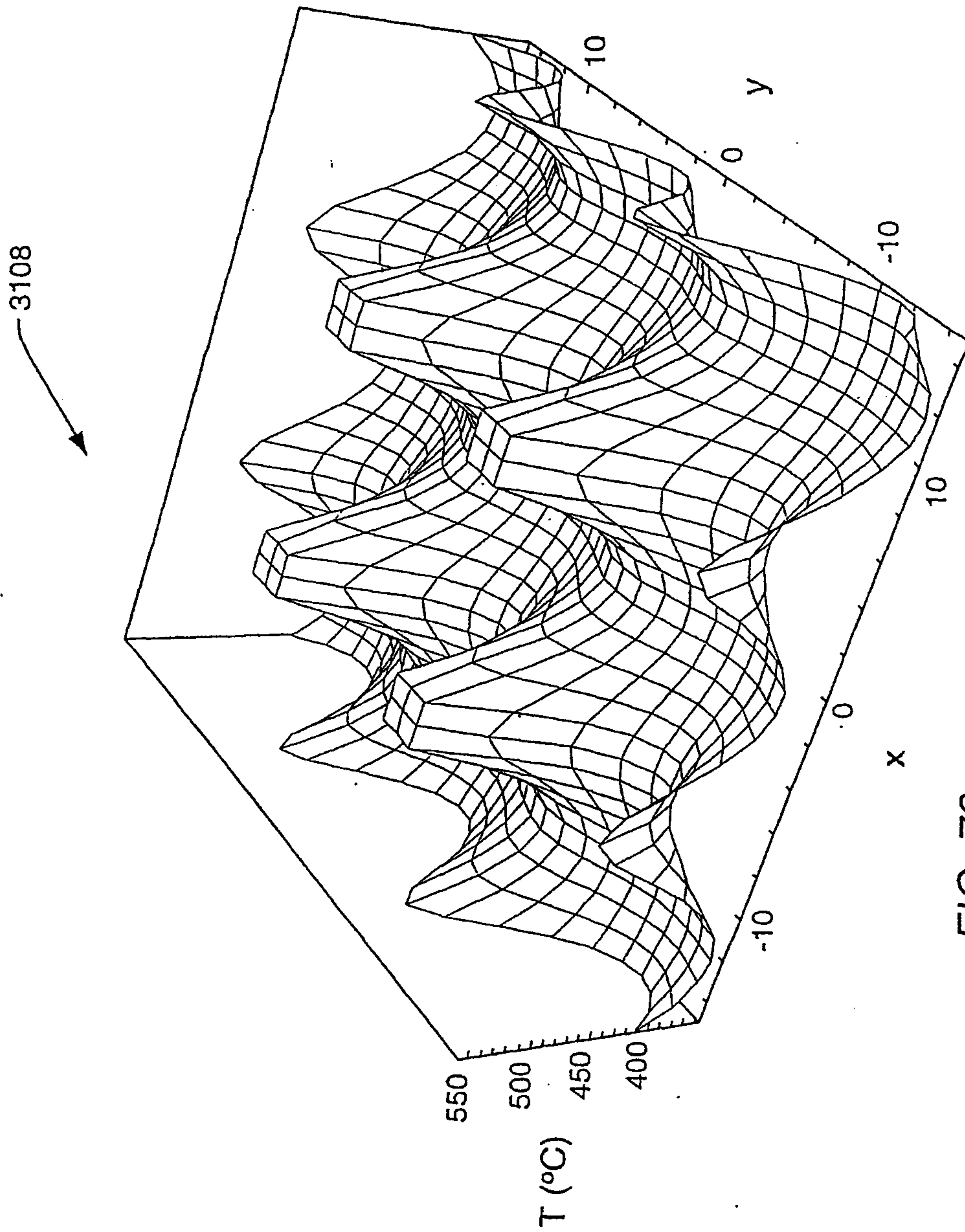


FIG. 79

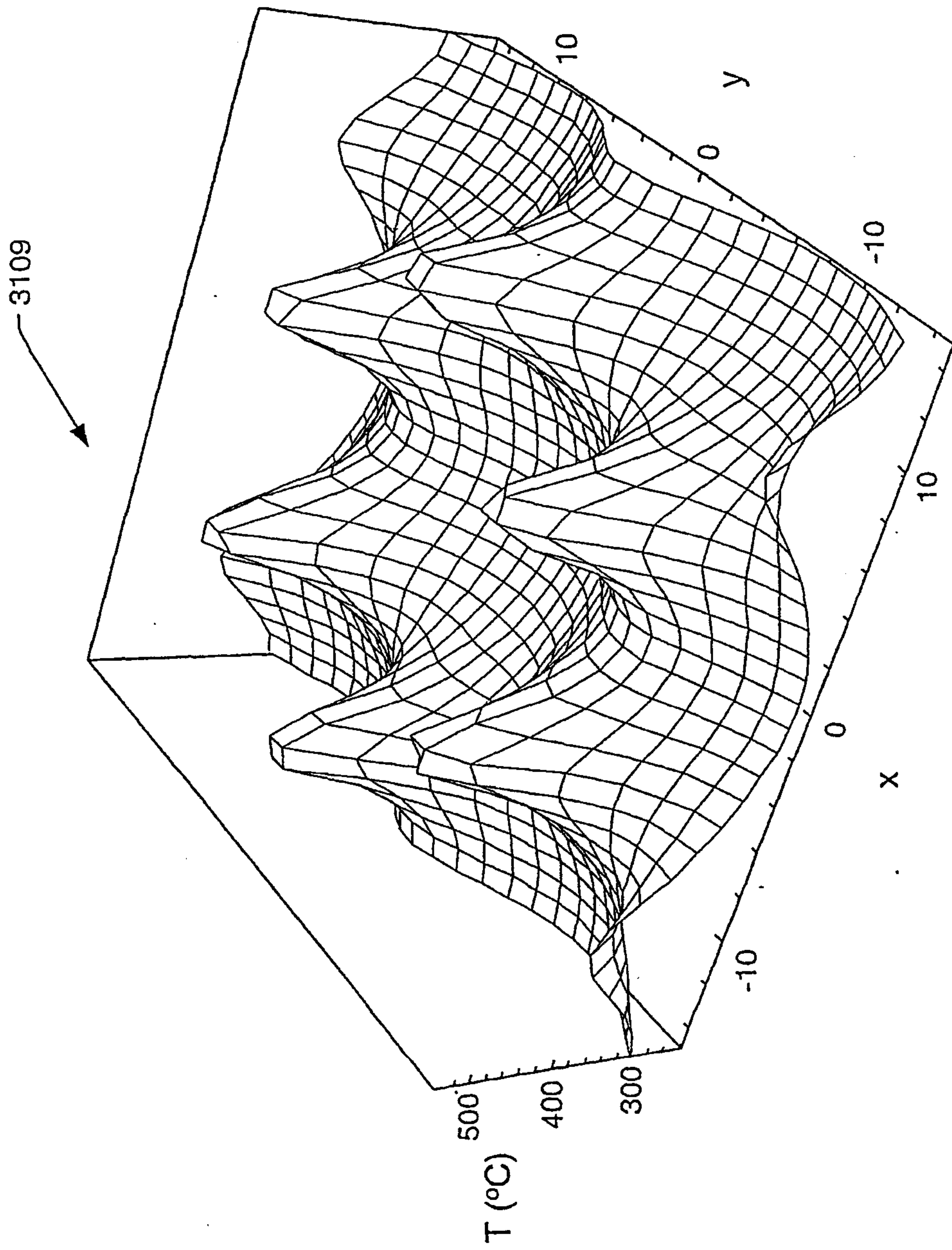


FIG. 79a

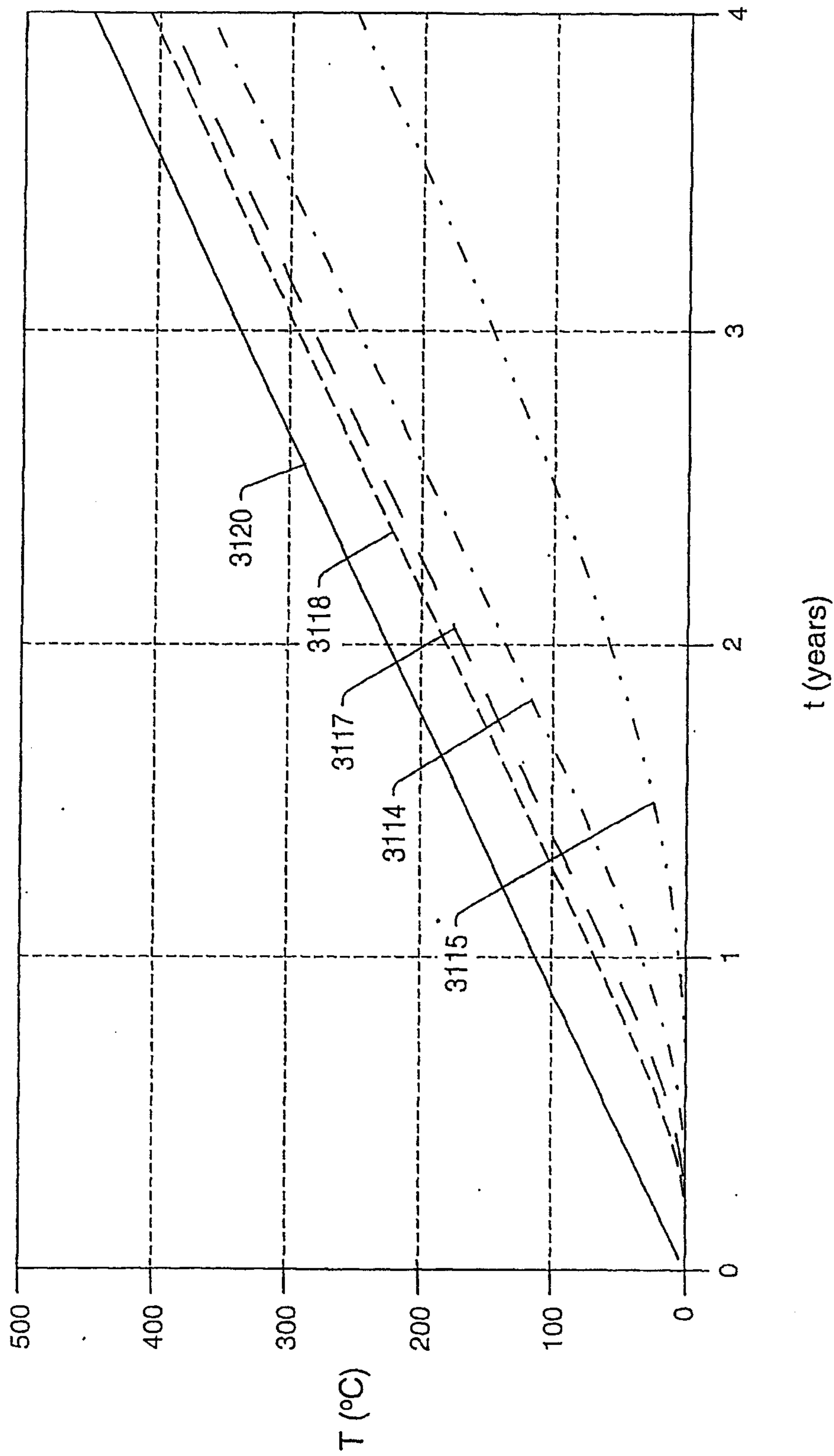


FIG. 80

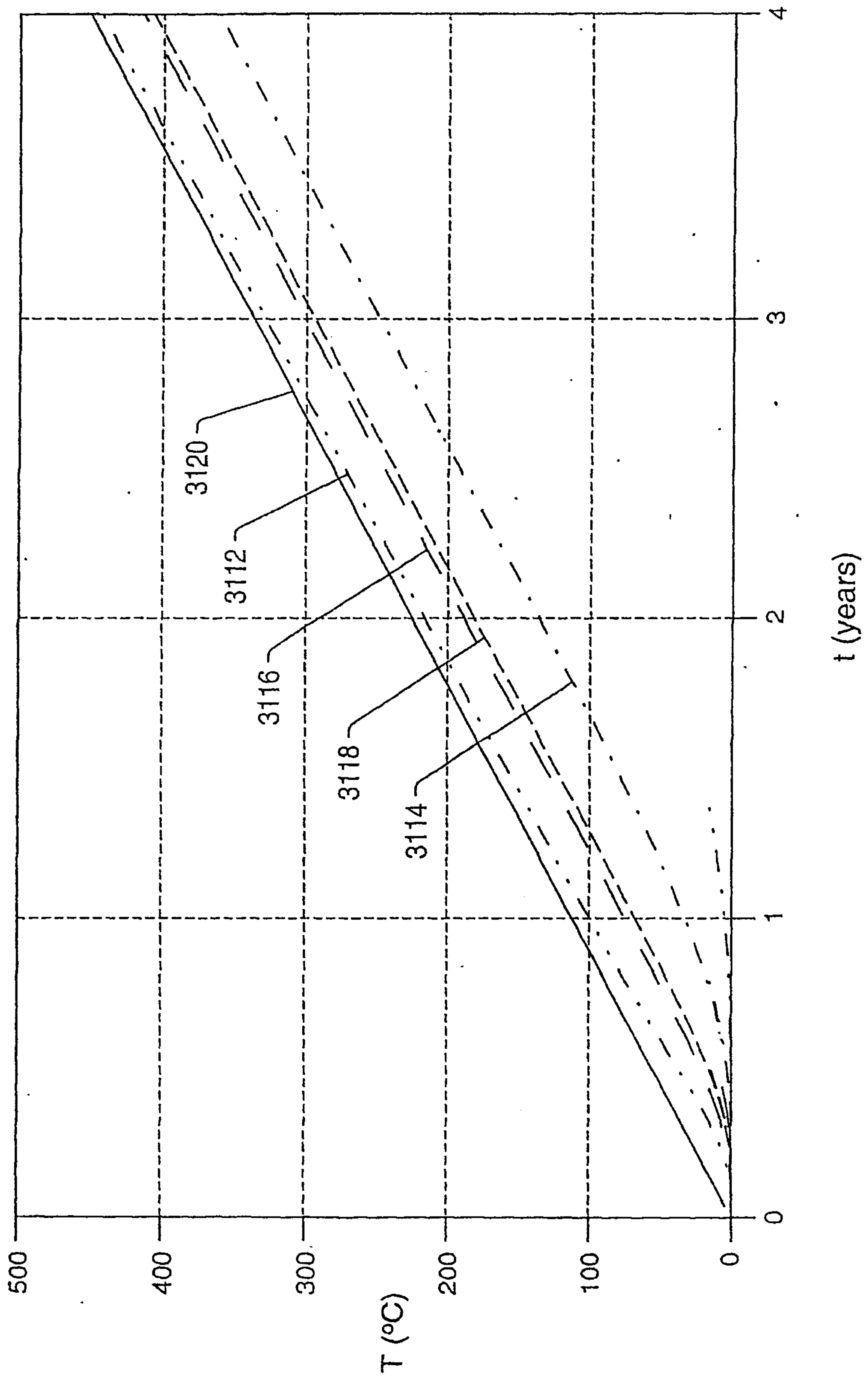


FIG. 81

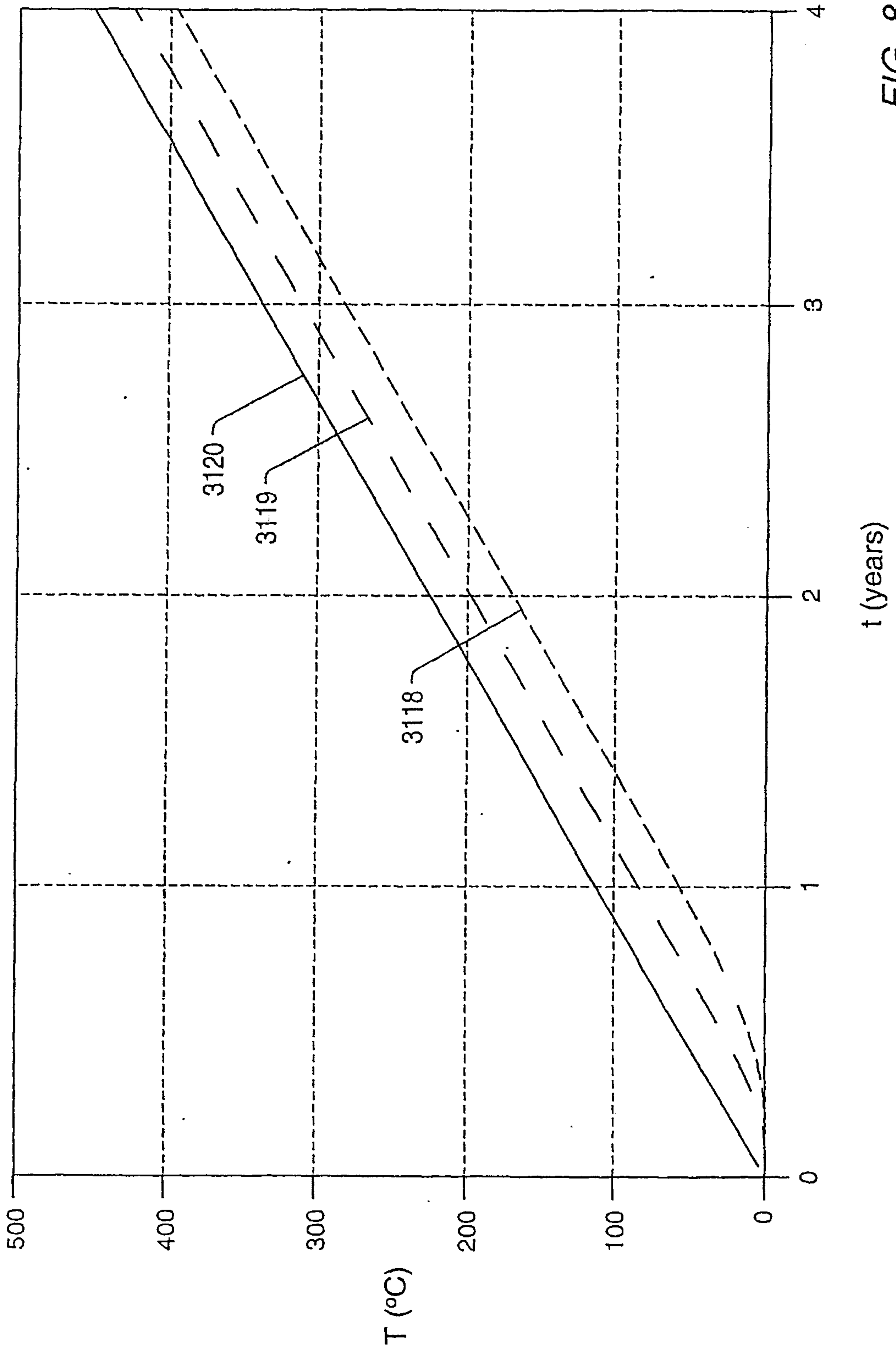


FIG. 81a

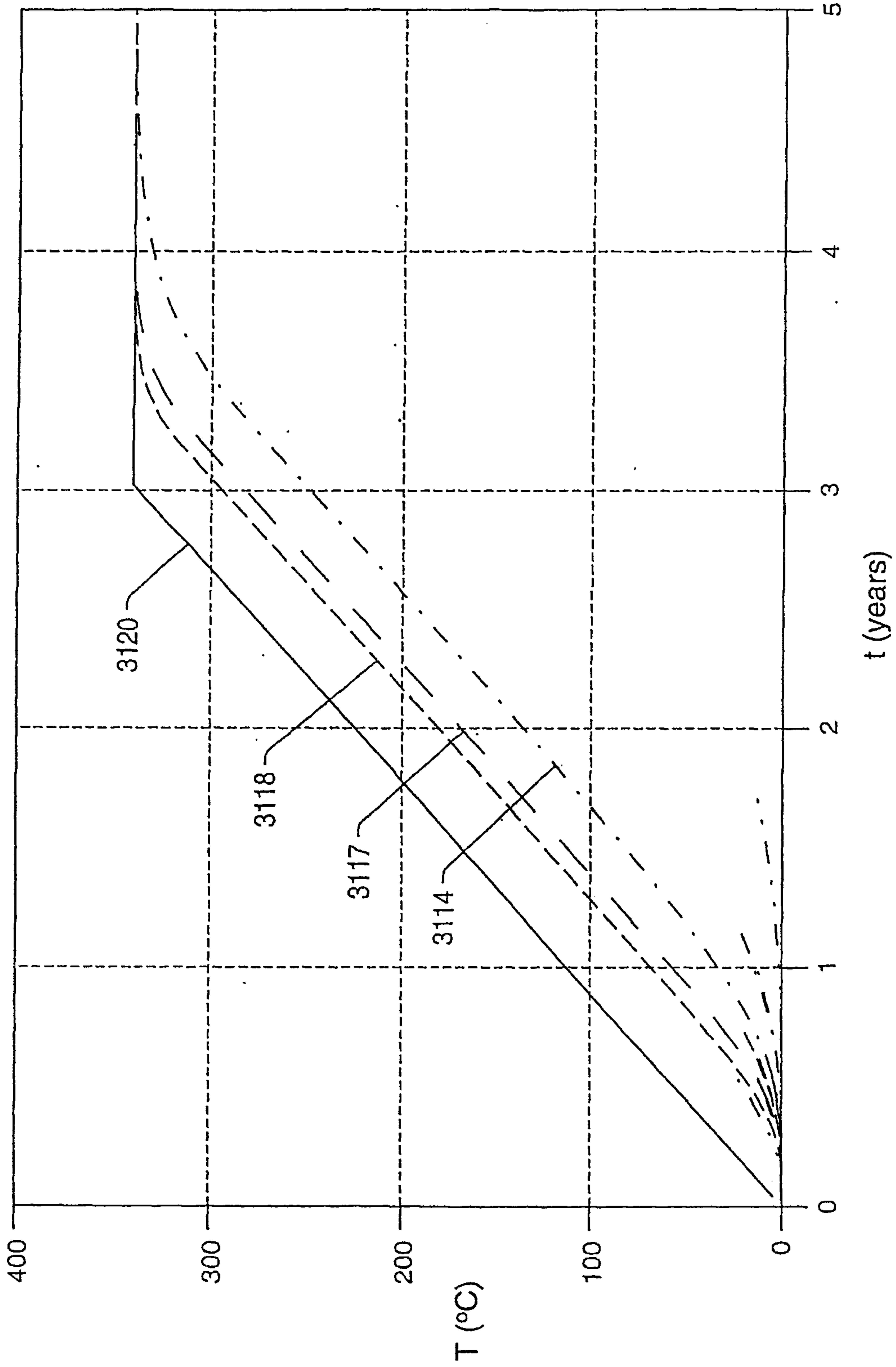


FIG. 81b

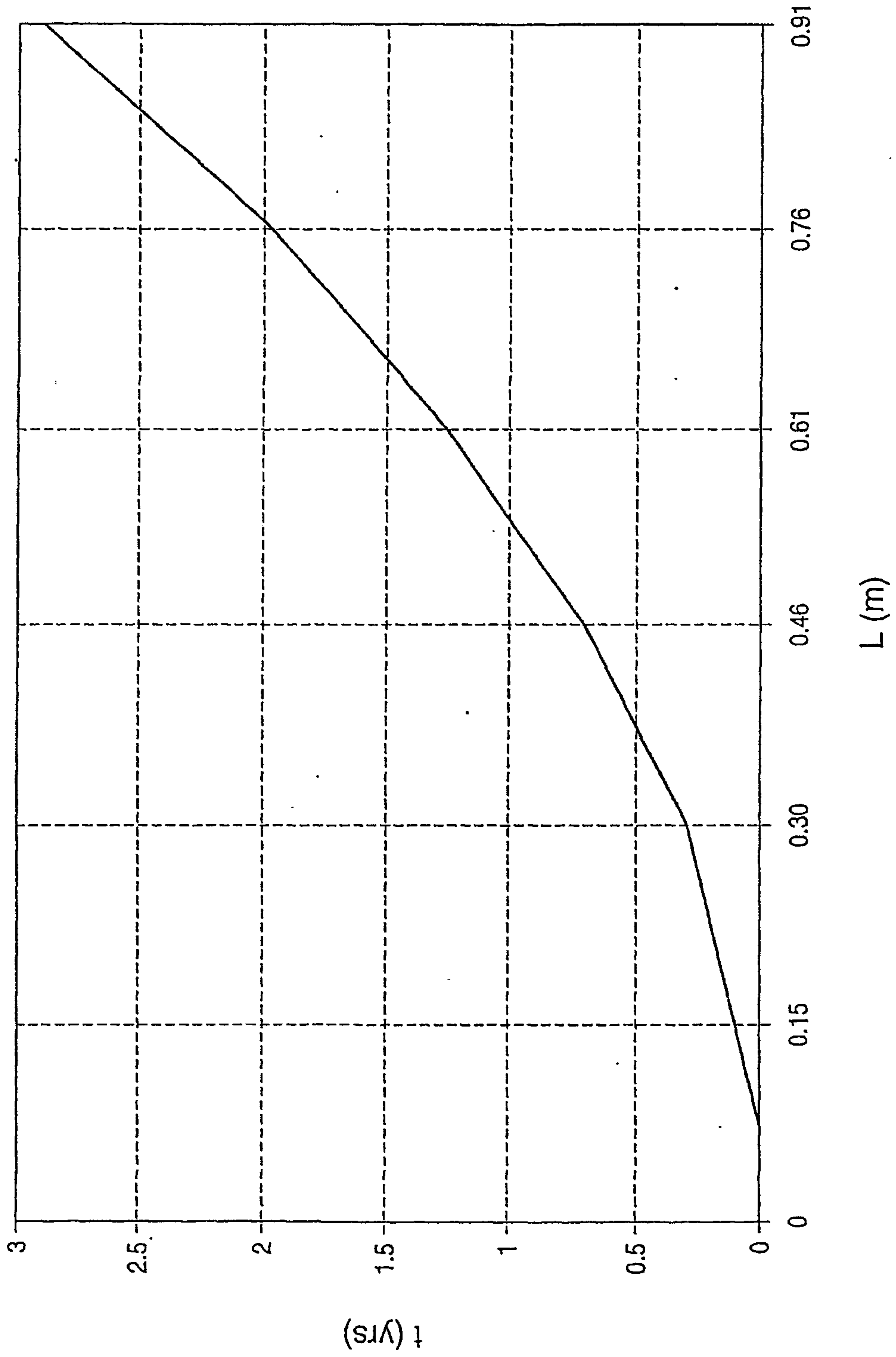


FIG. 82

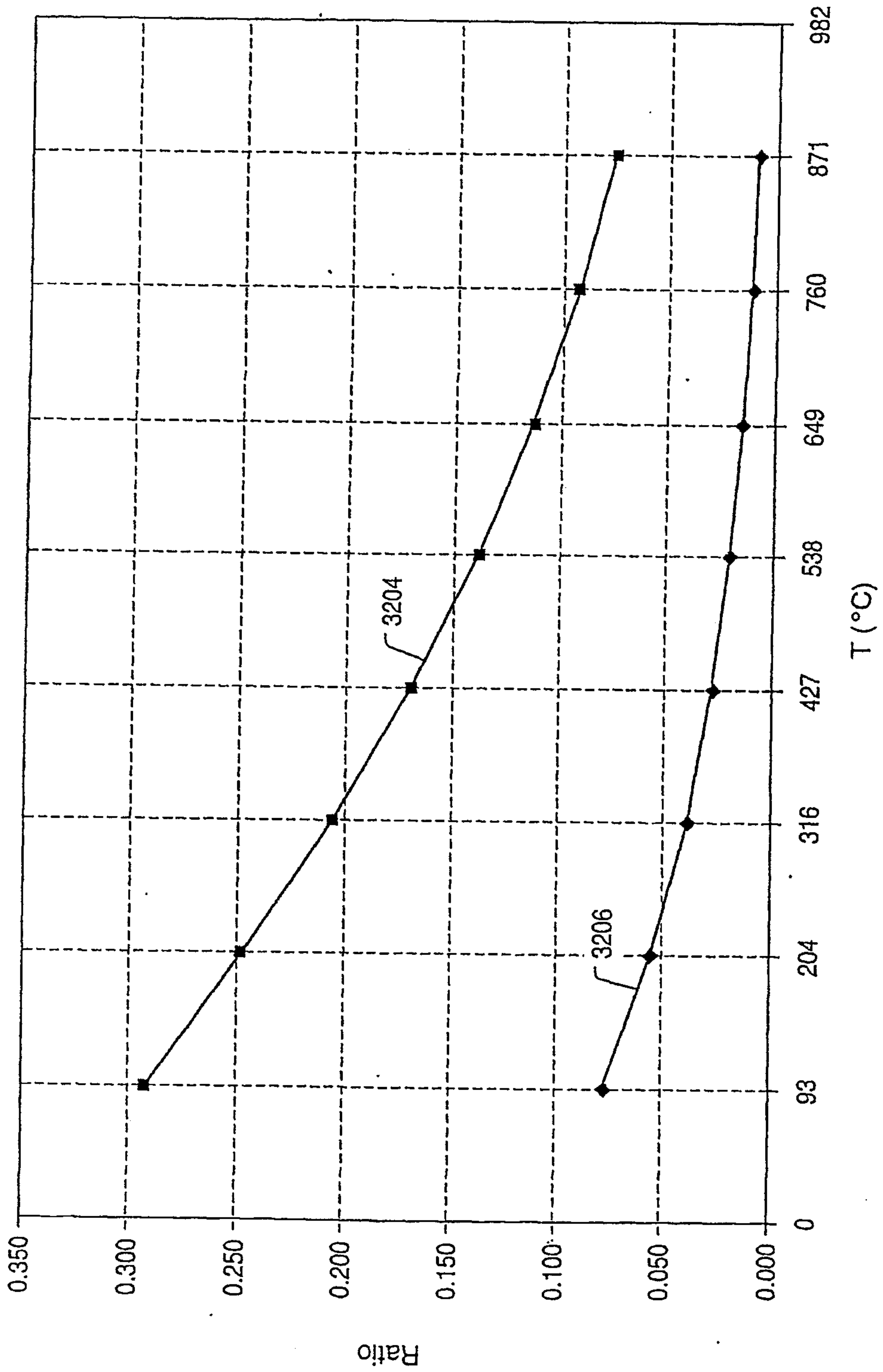


FIG. 83

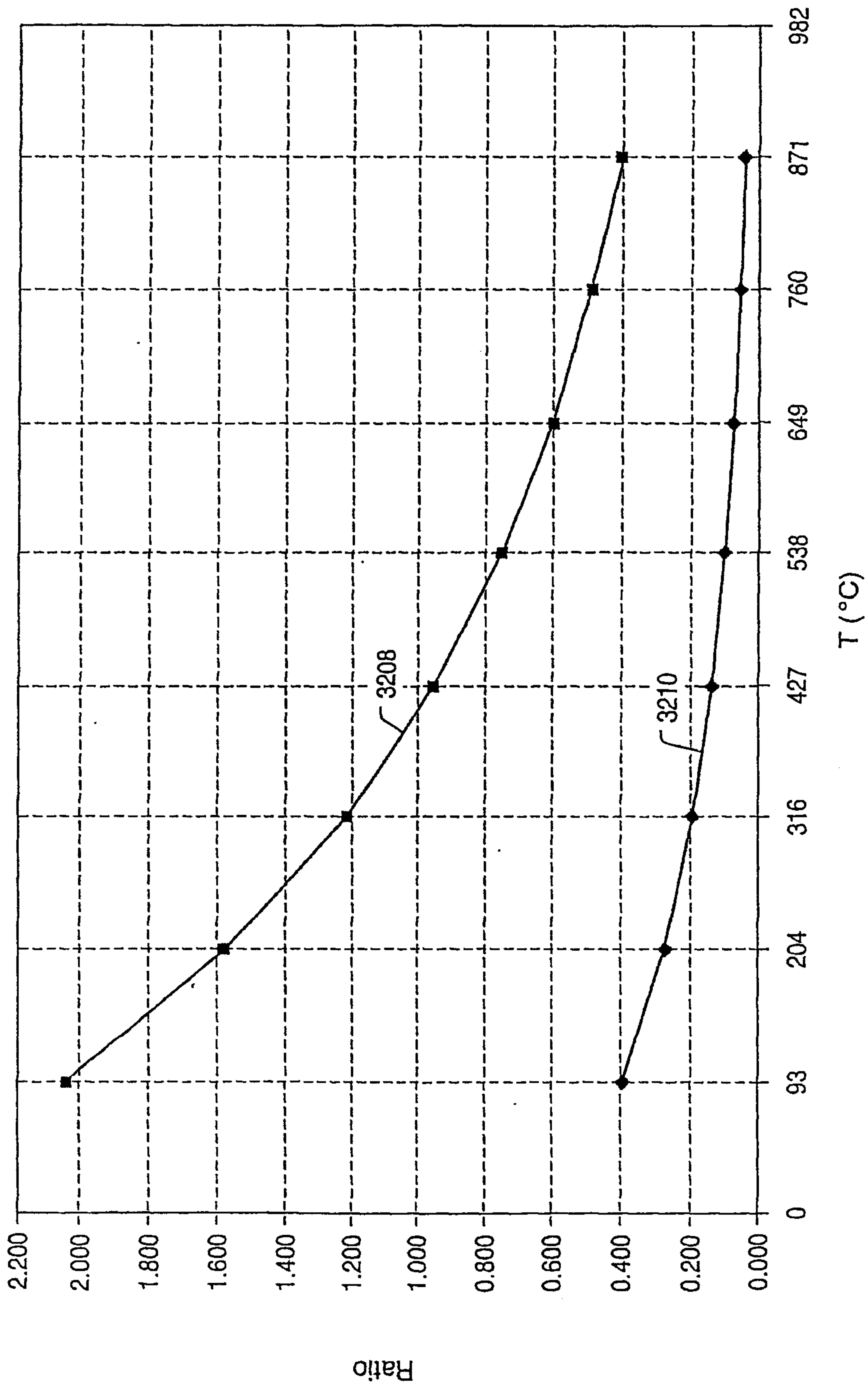


FIG. 84

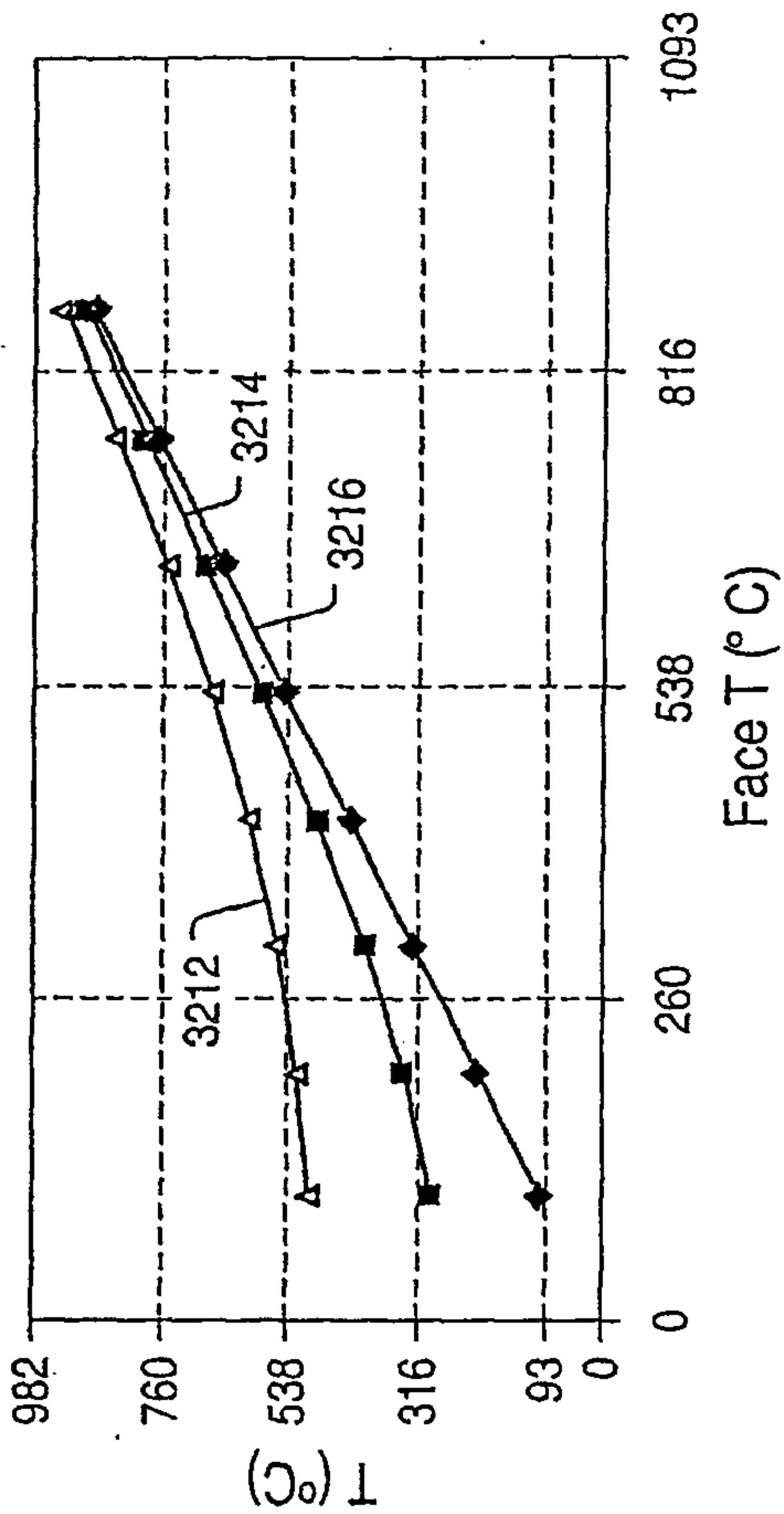


FIG. 86

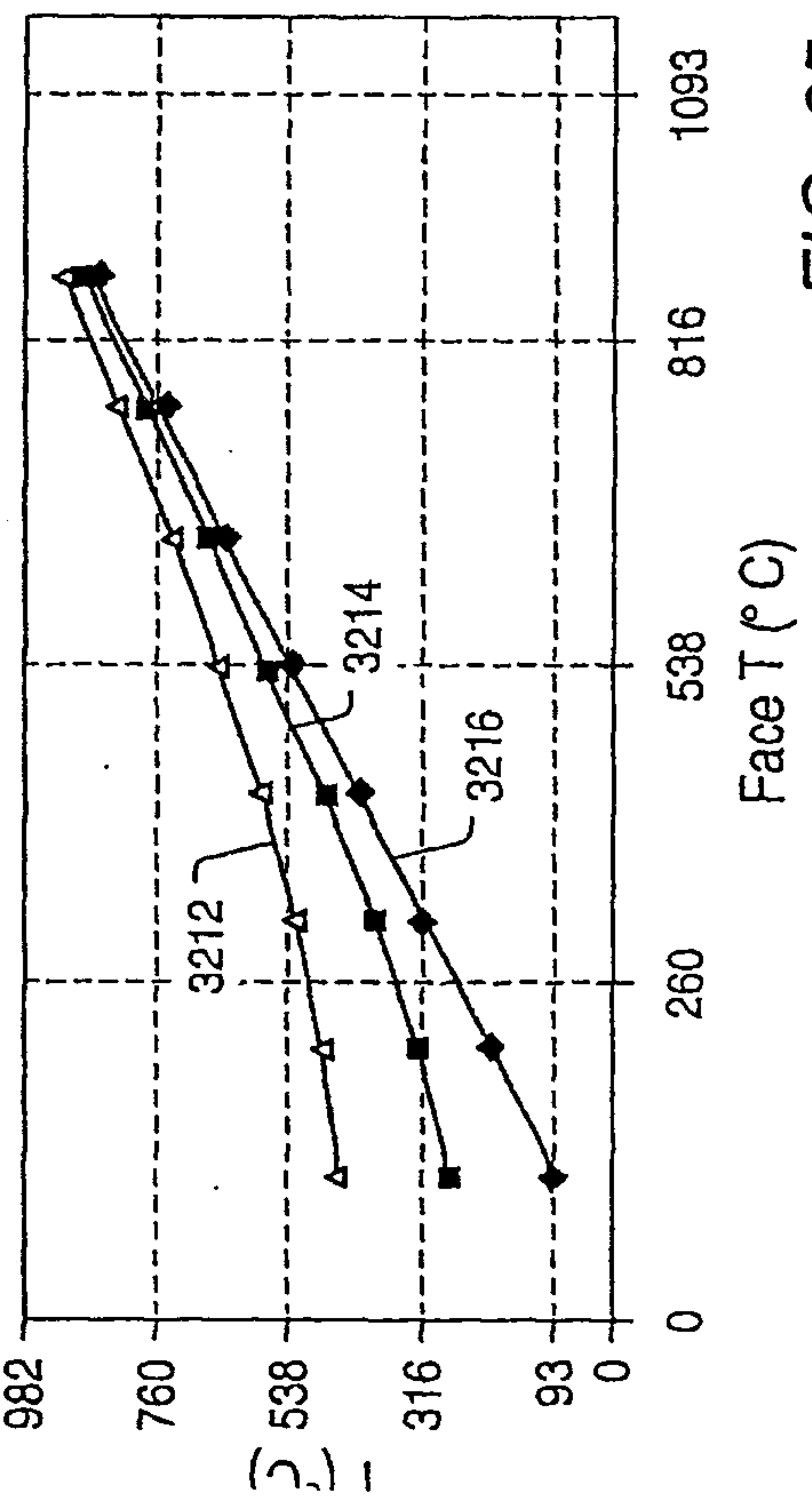


FIG. 85

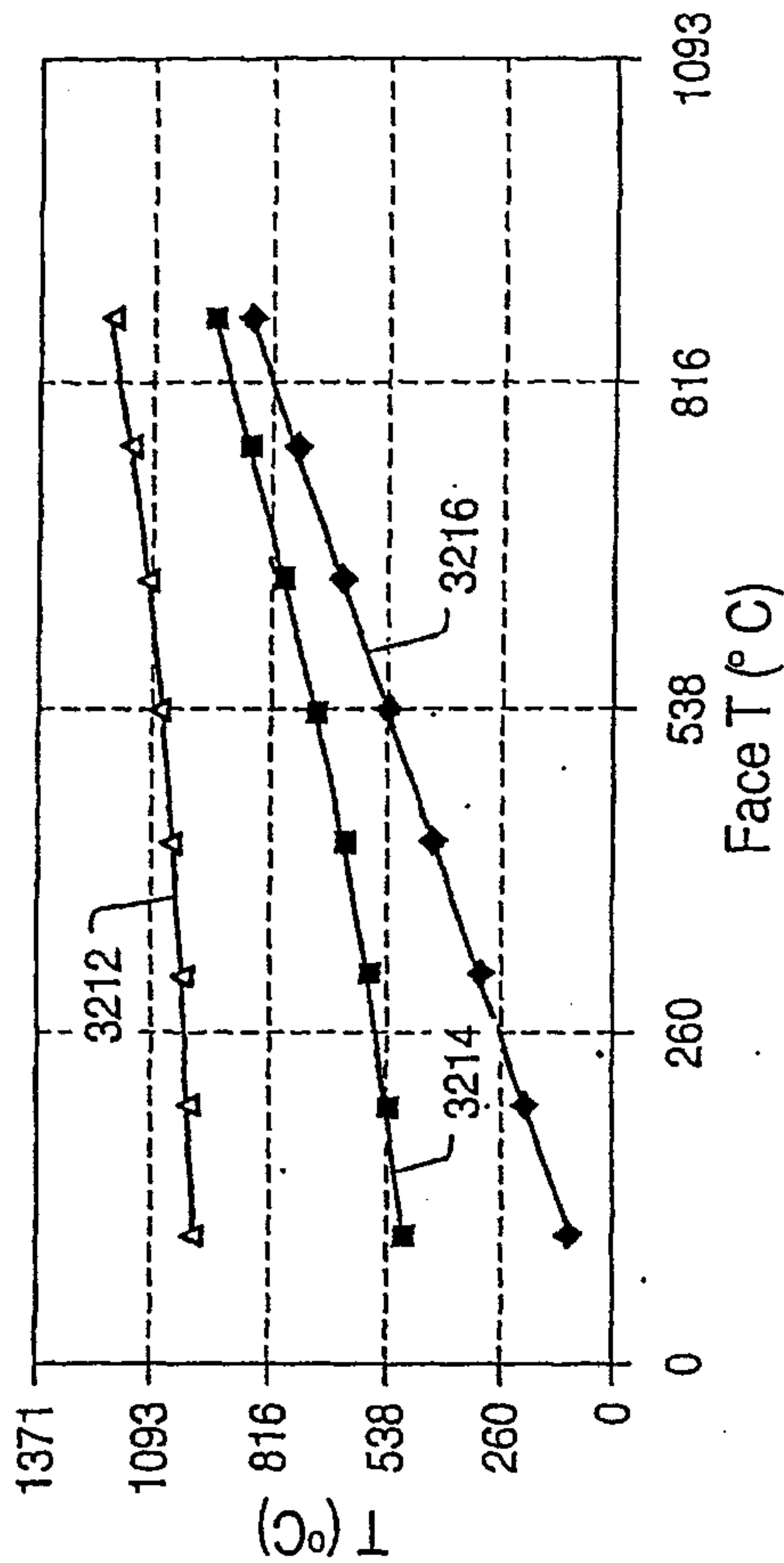


FIG. 88

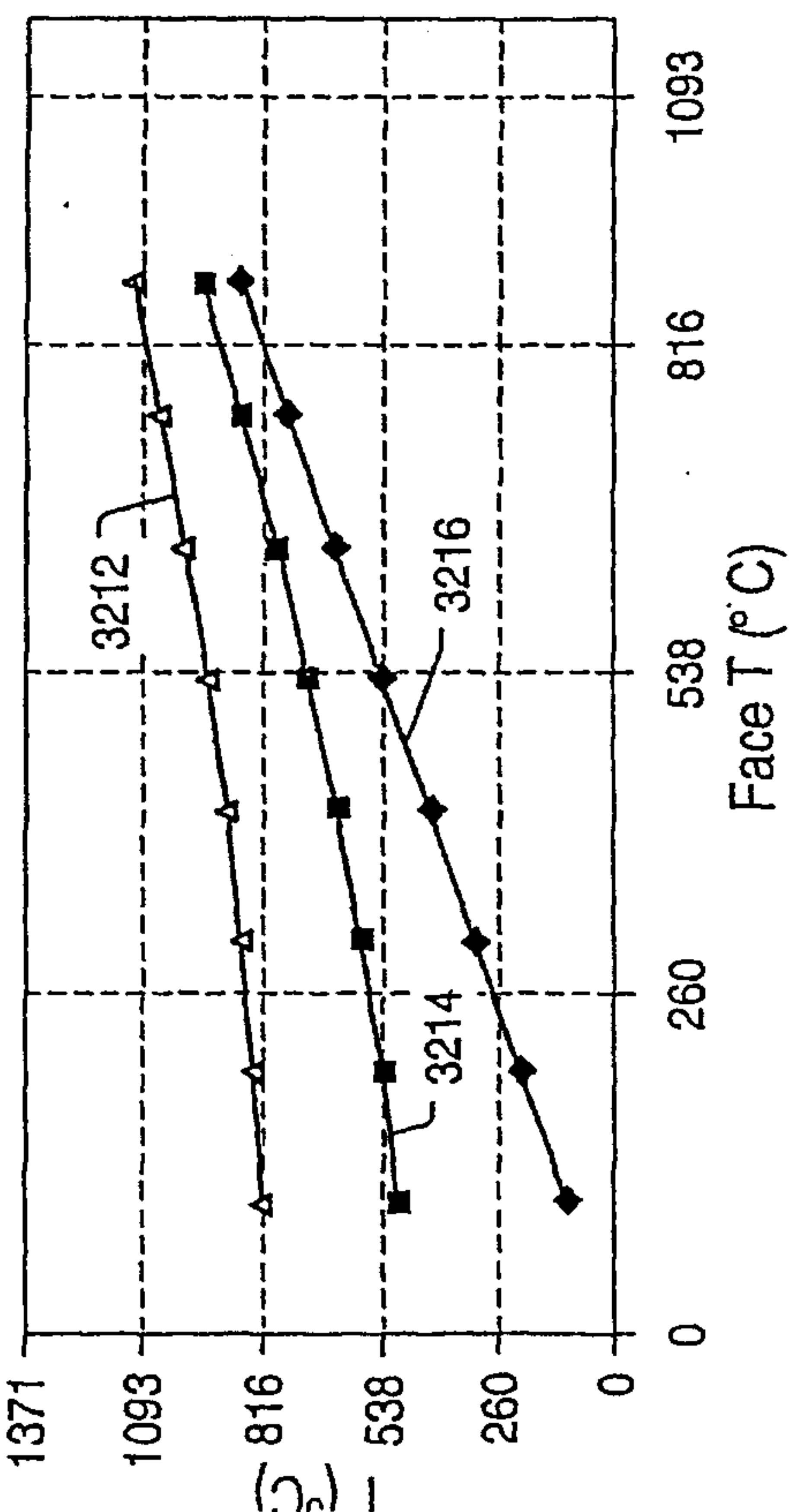


FIG. 87

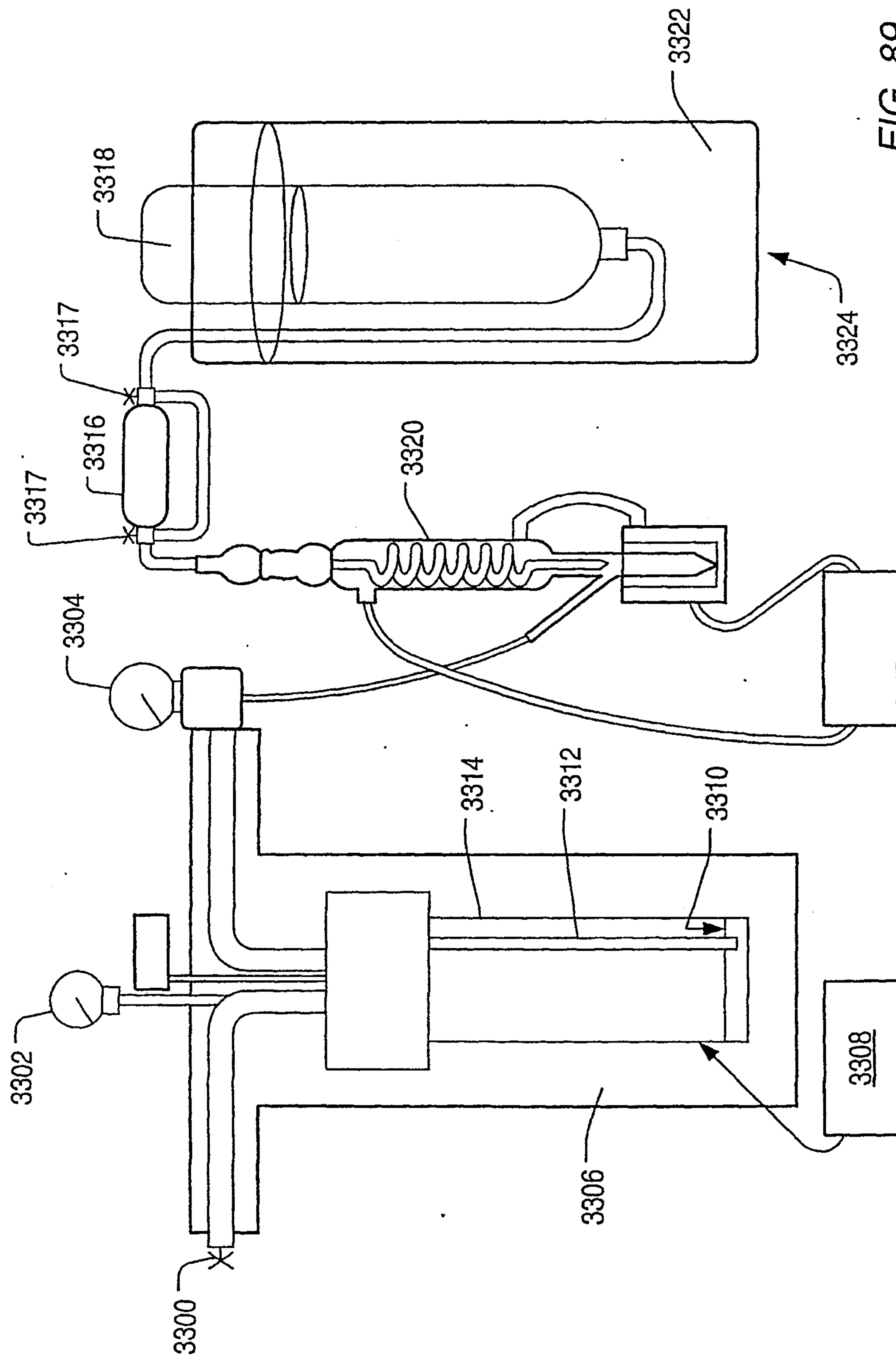


FIG. 89

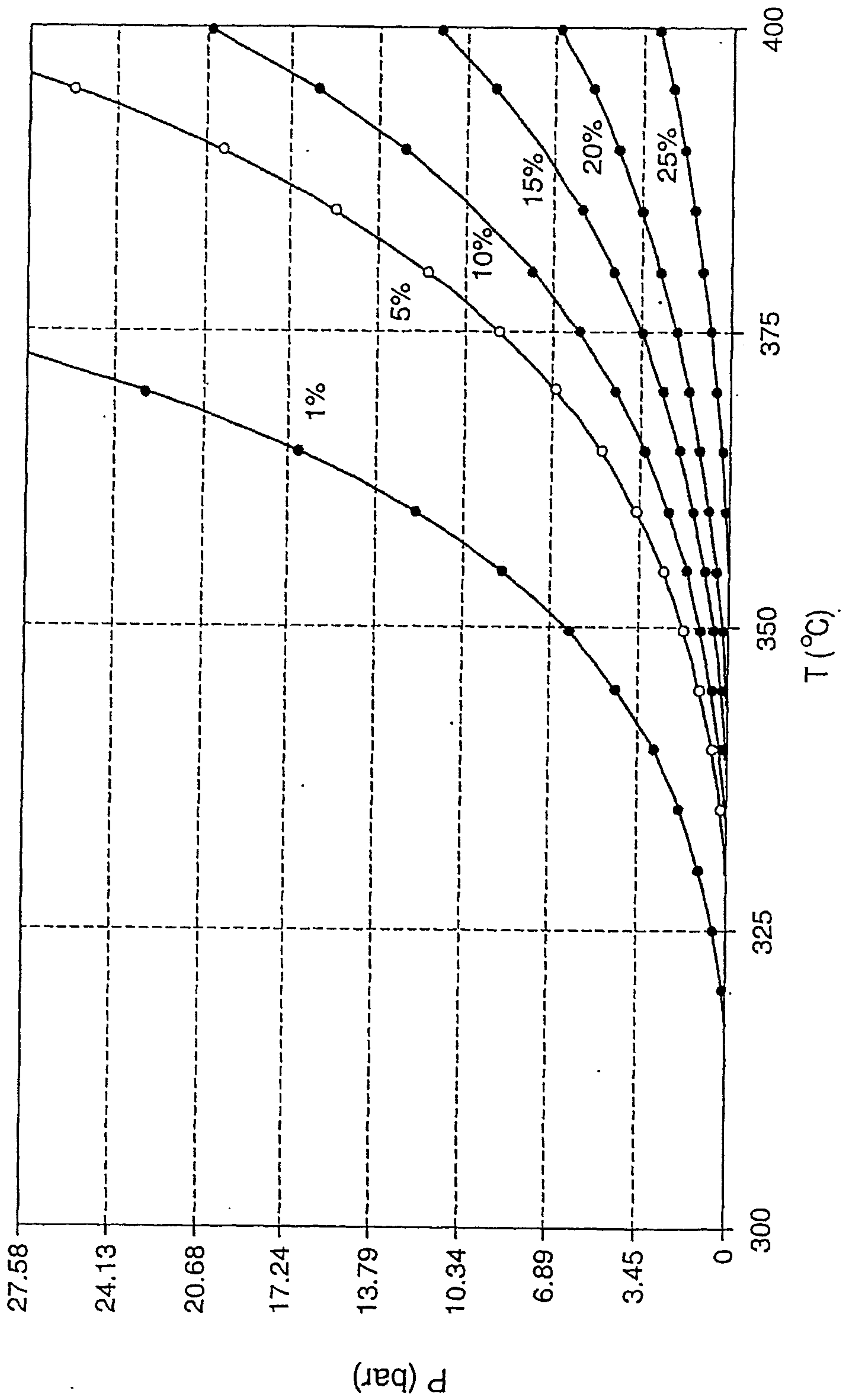


FIG. 90

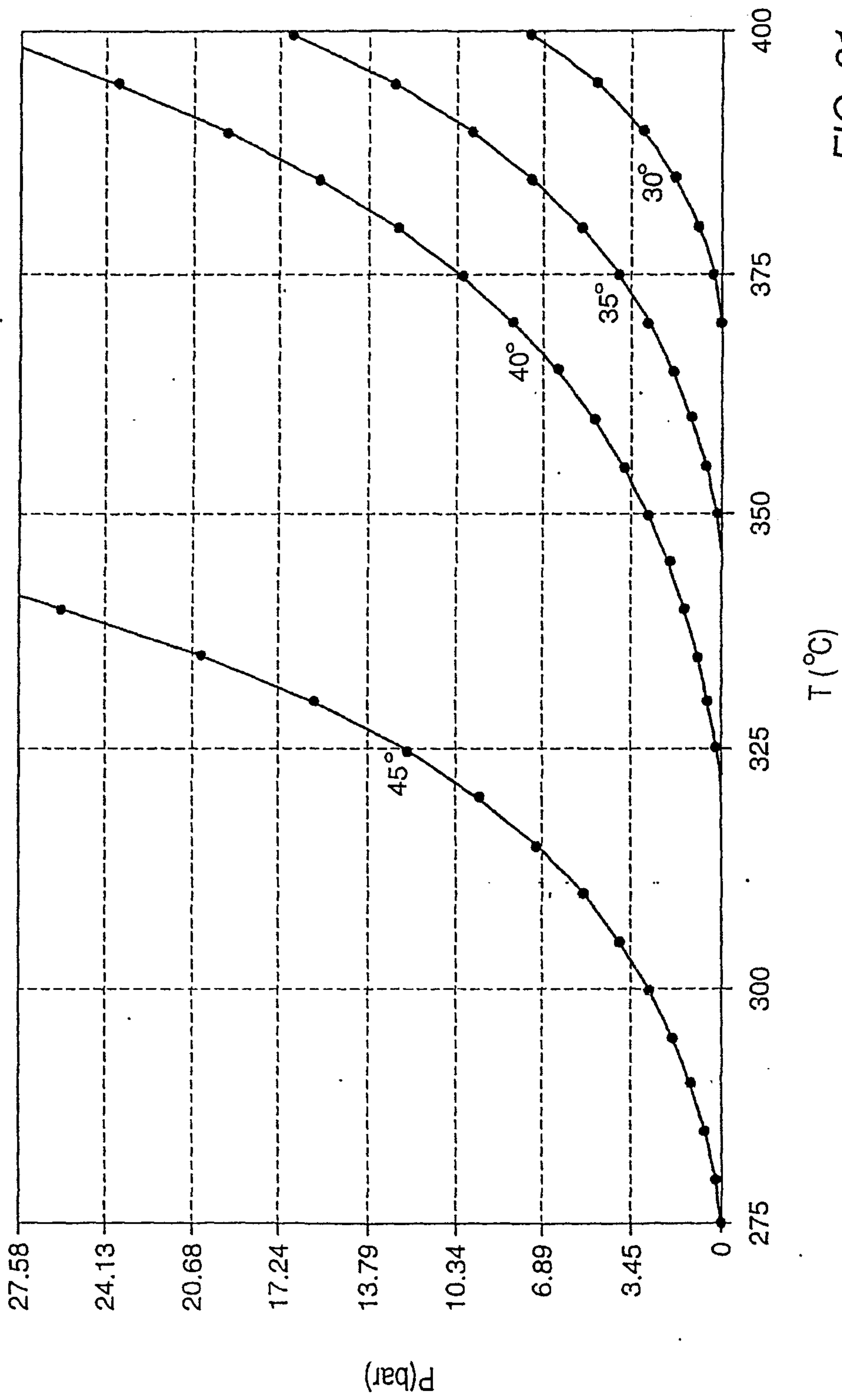


FIG. 91

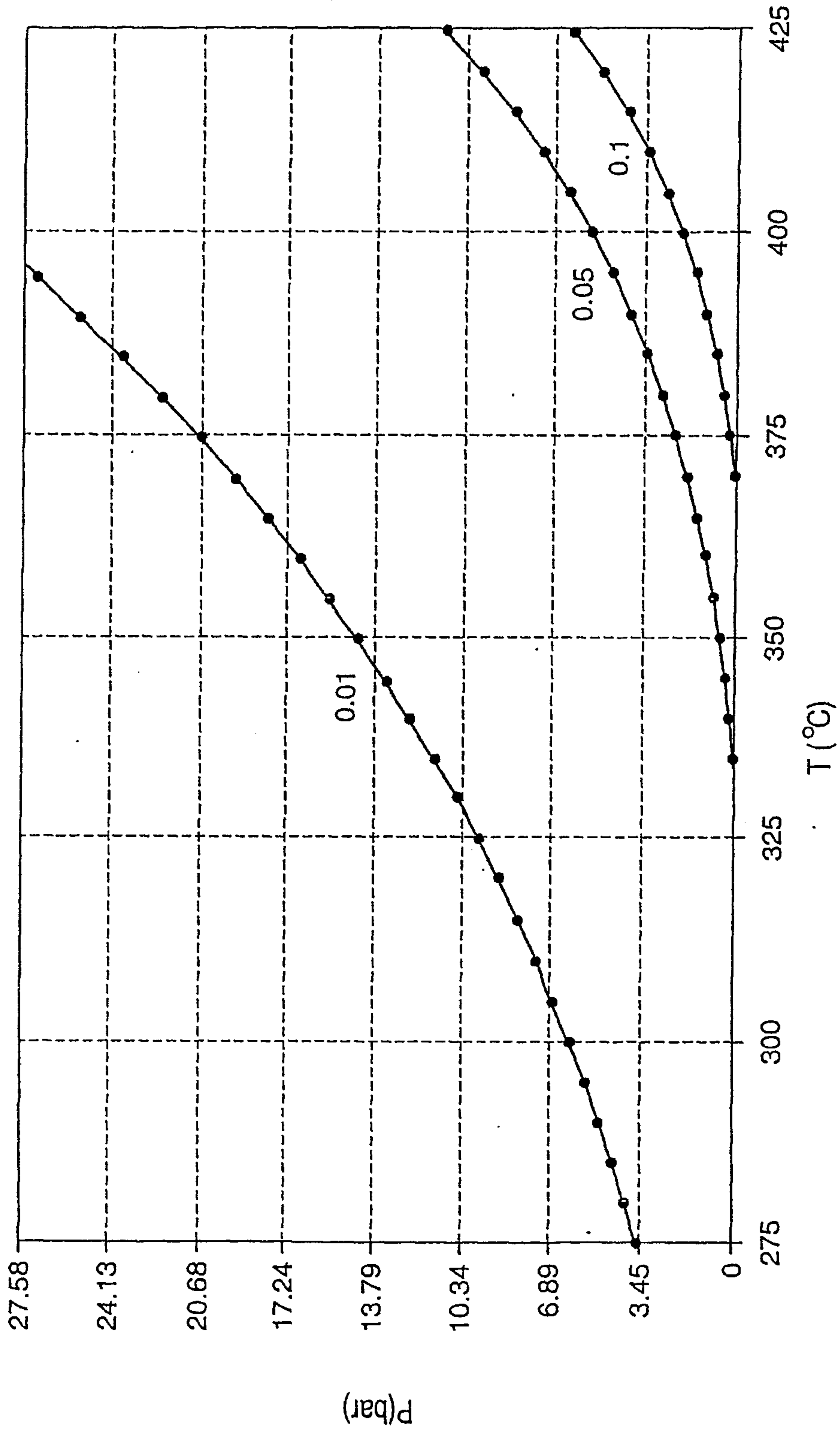


FIG. 92

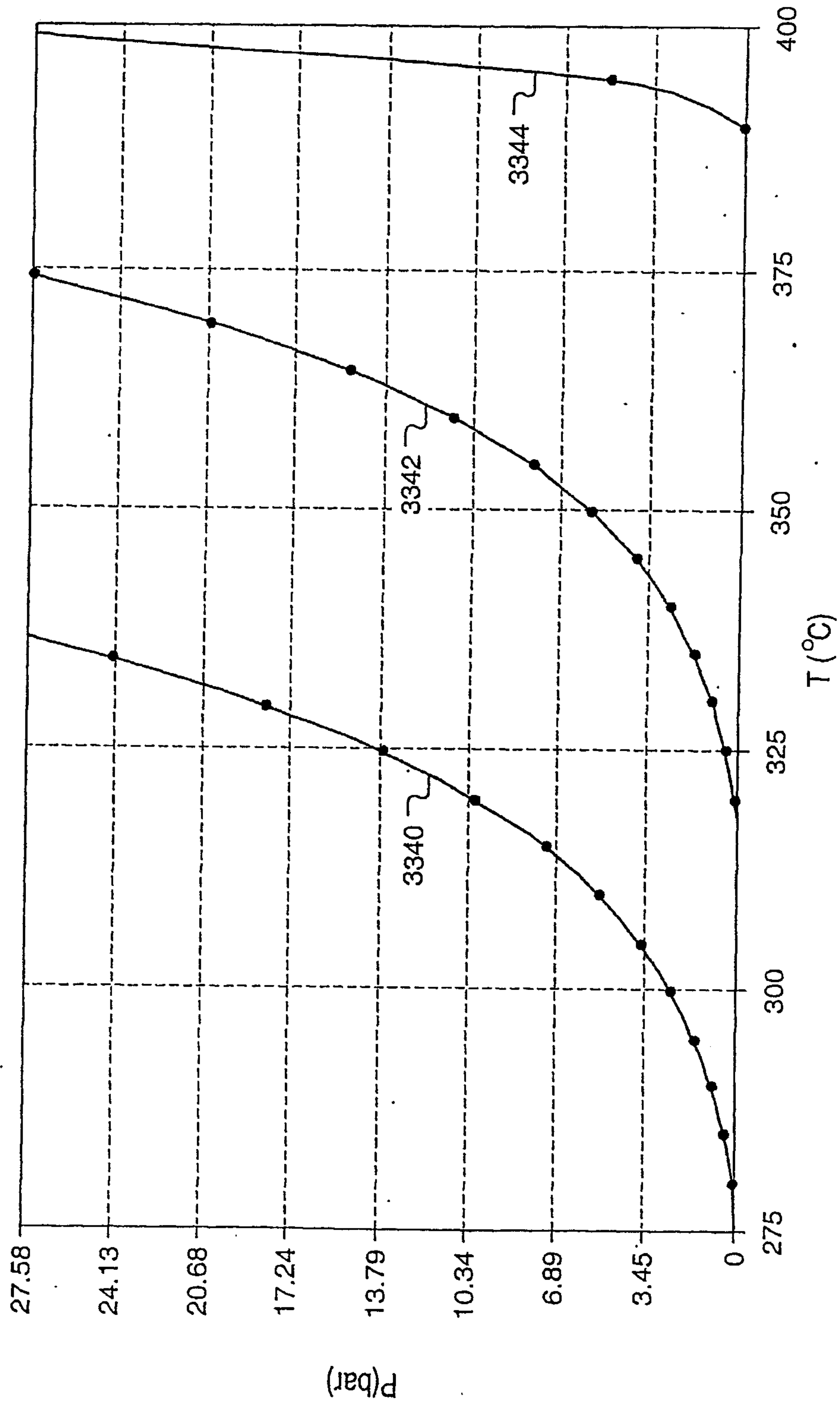


FIG. 93

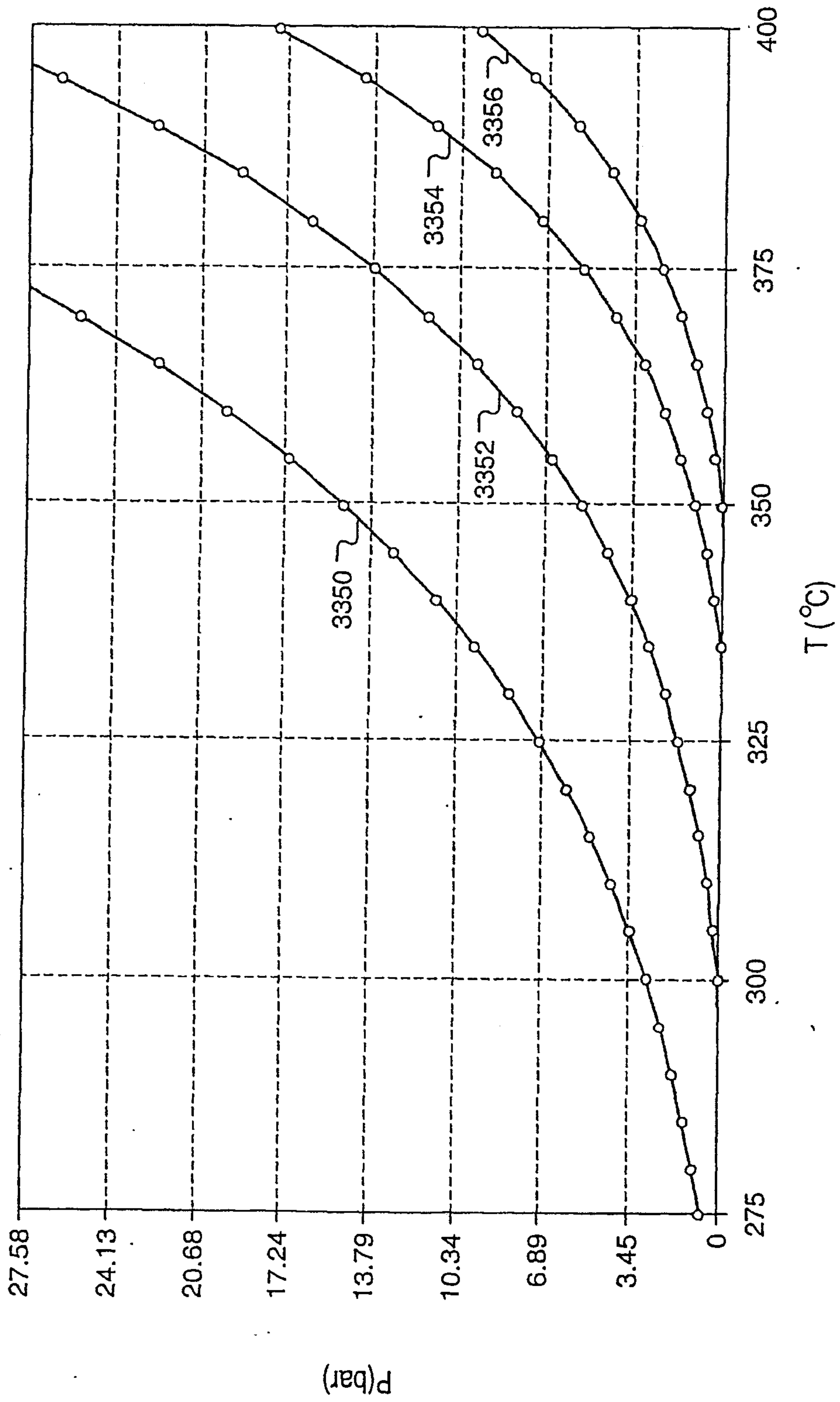


FIG. 94

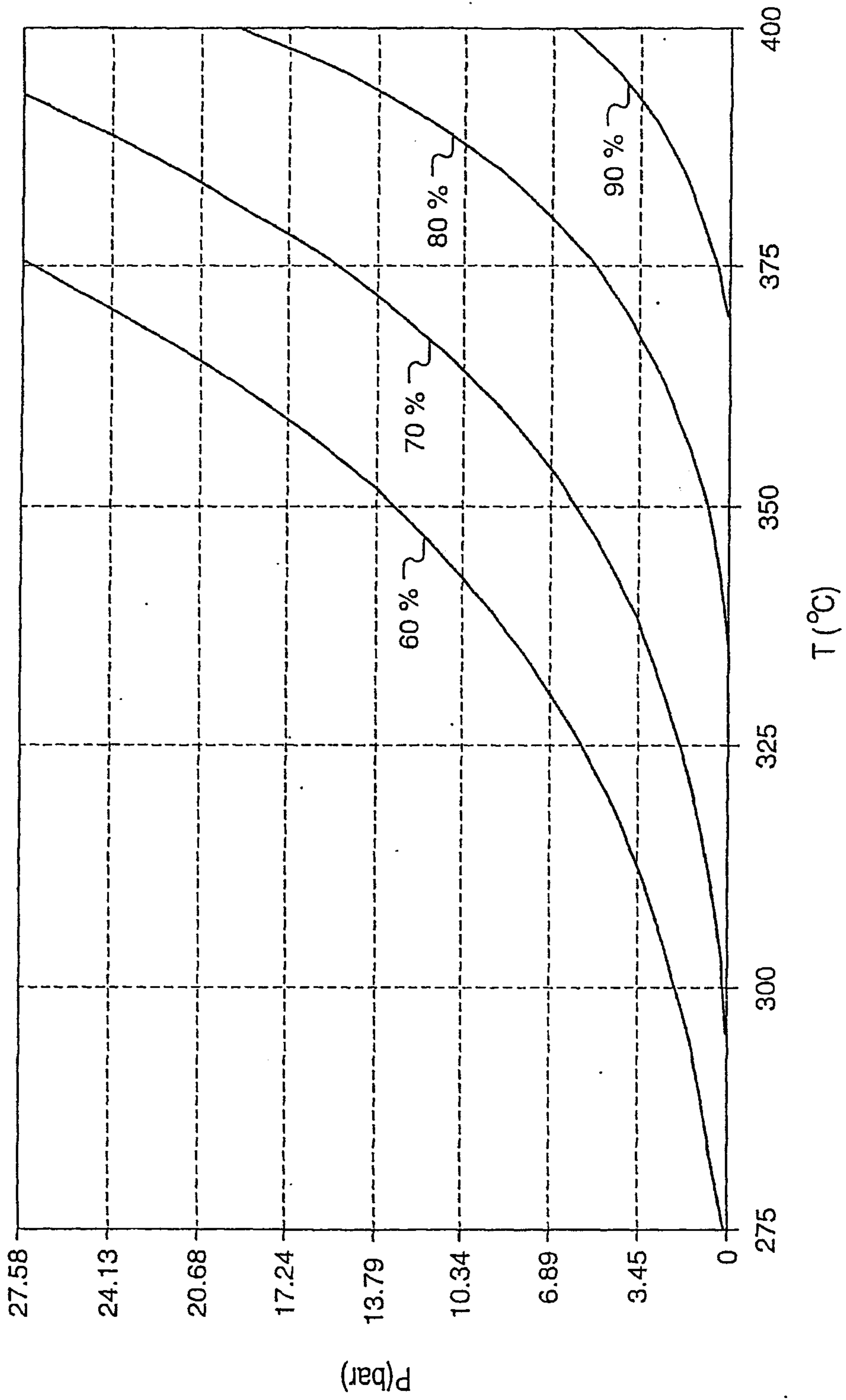


FIG. 95

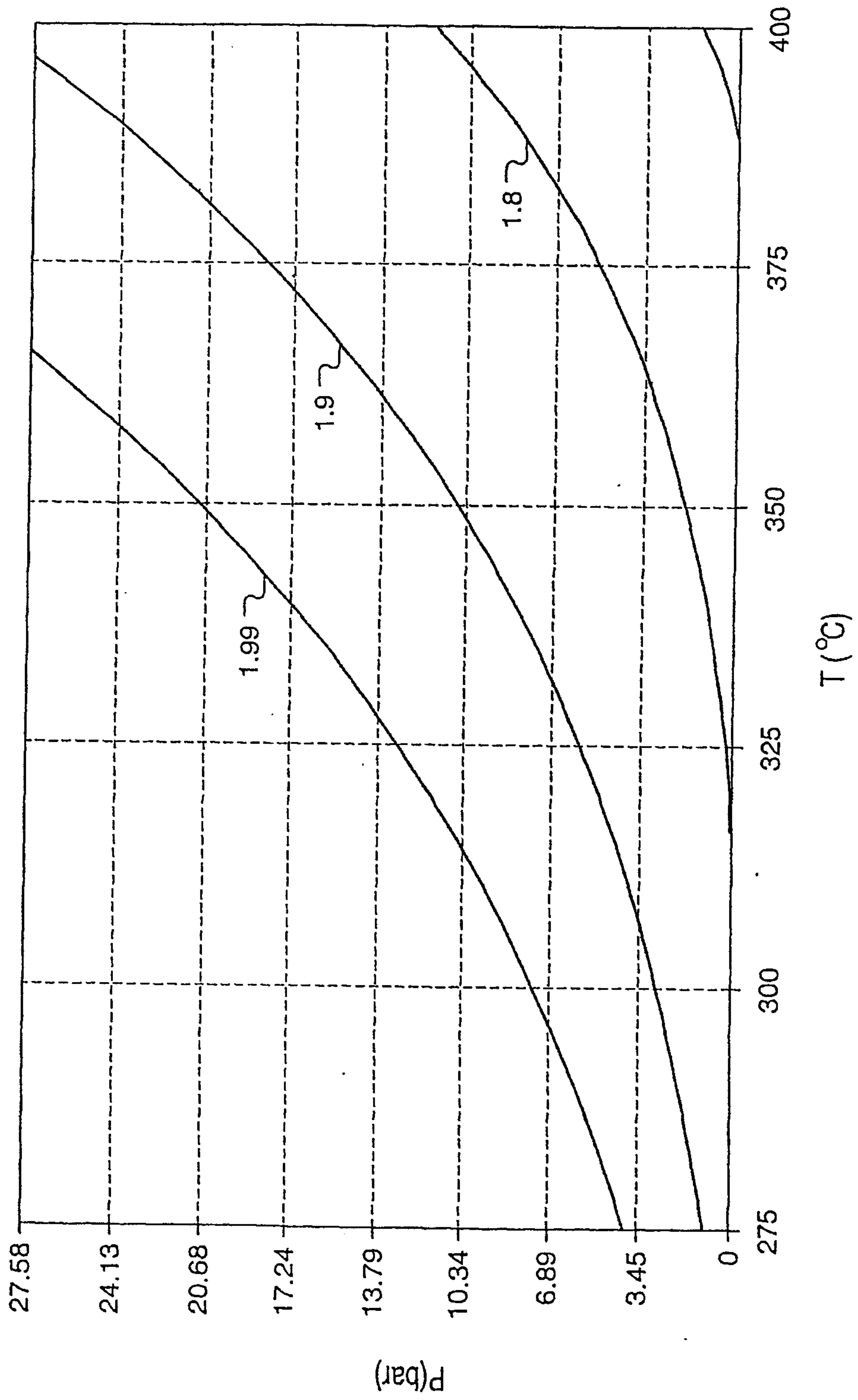


FIG. 96

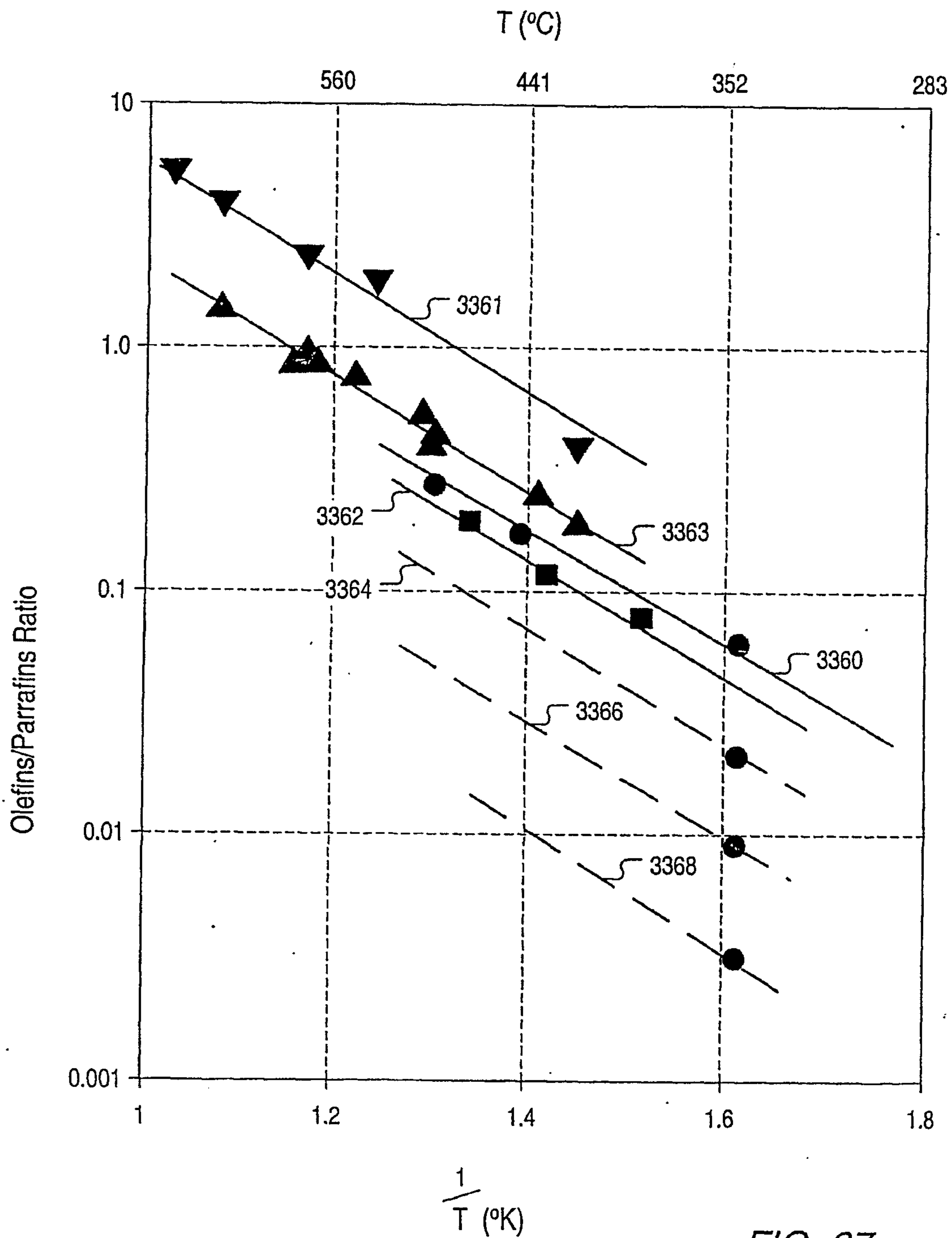


FIG. 97

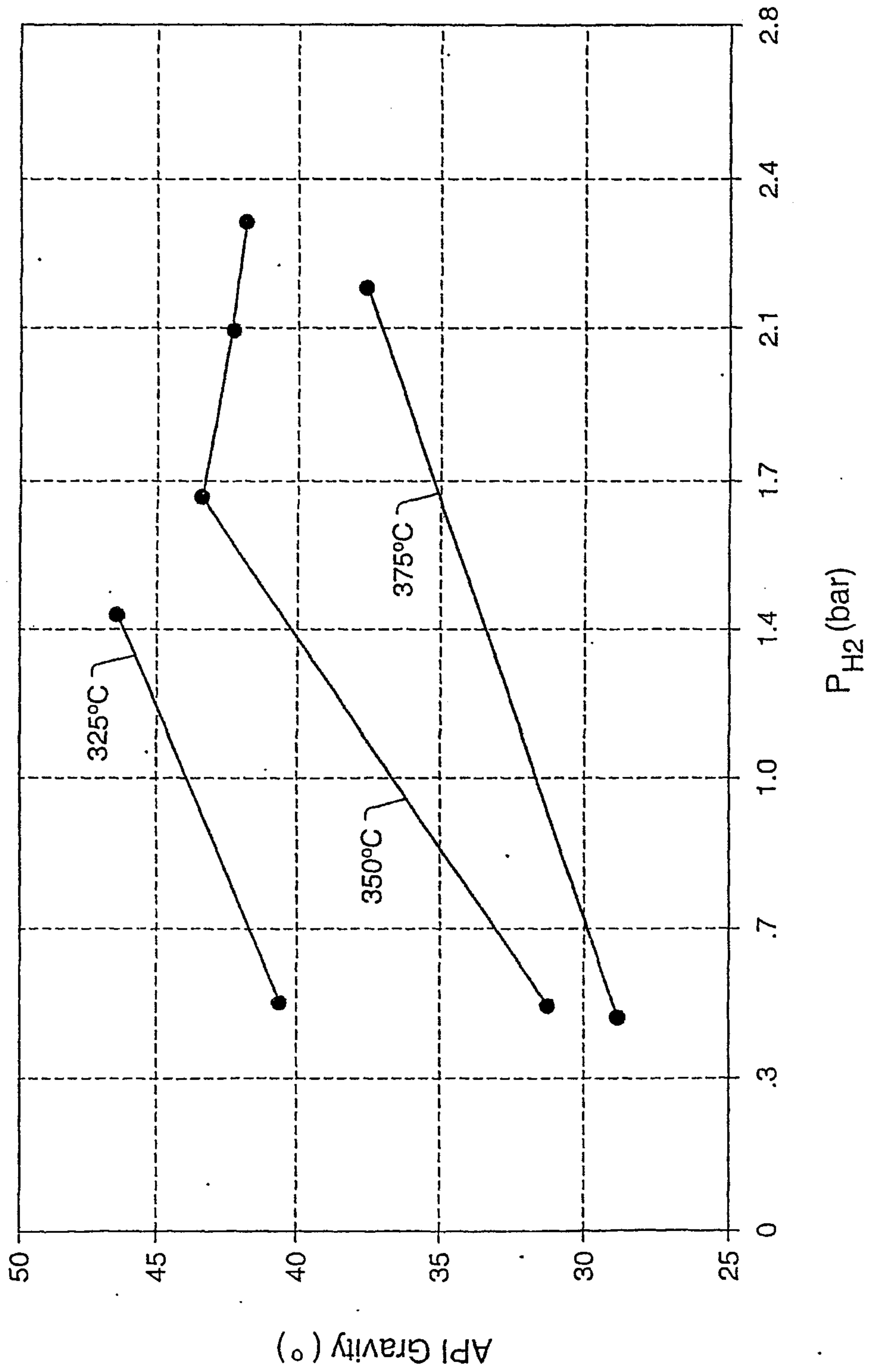


FIG. 98

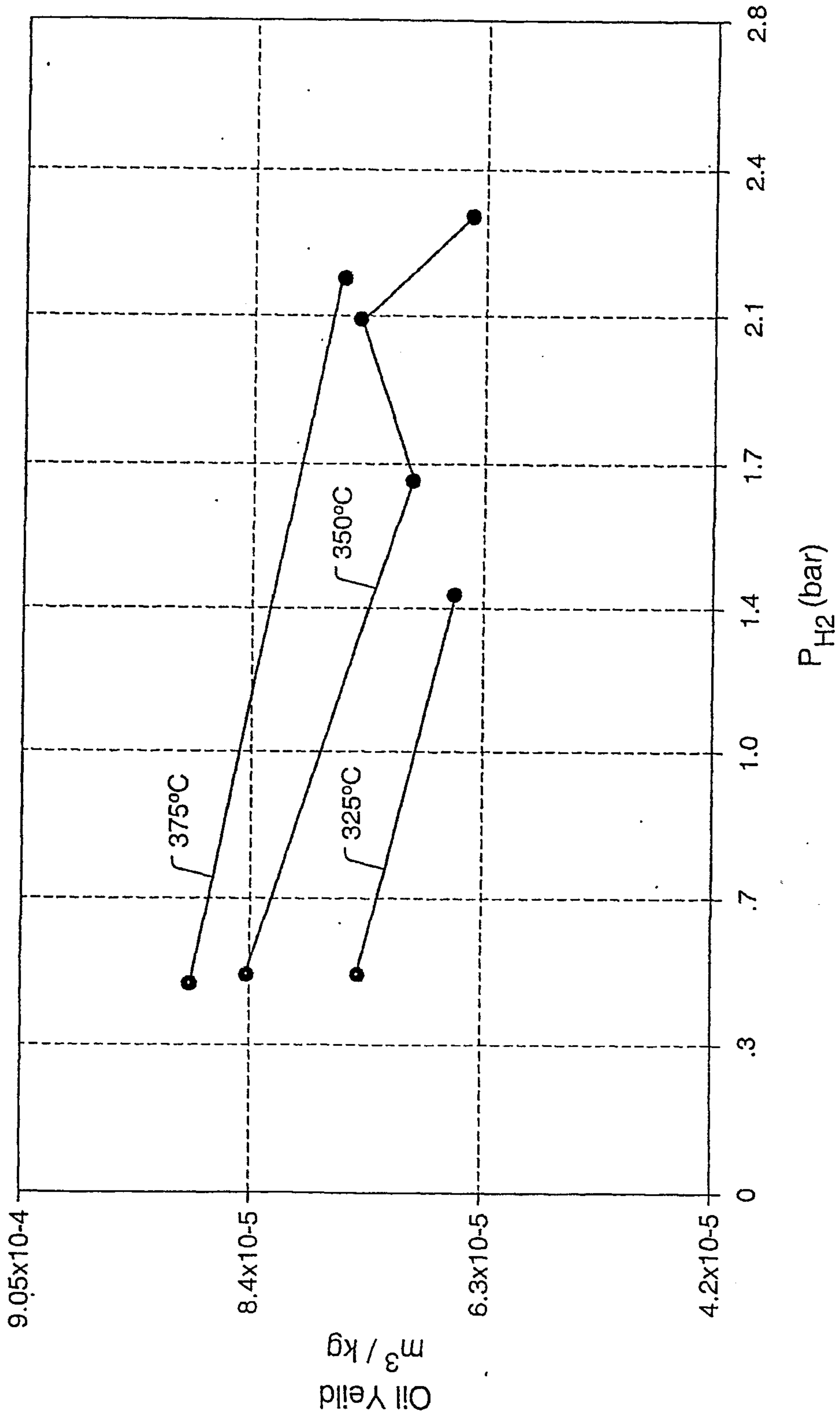


FIG. 99

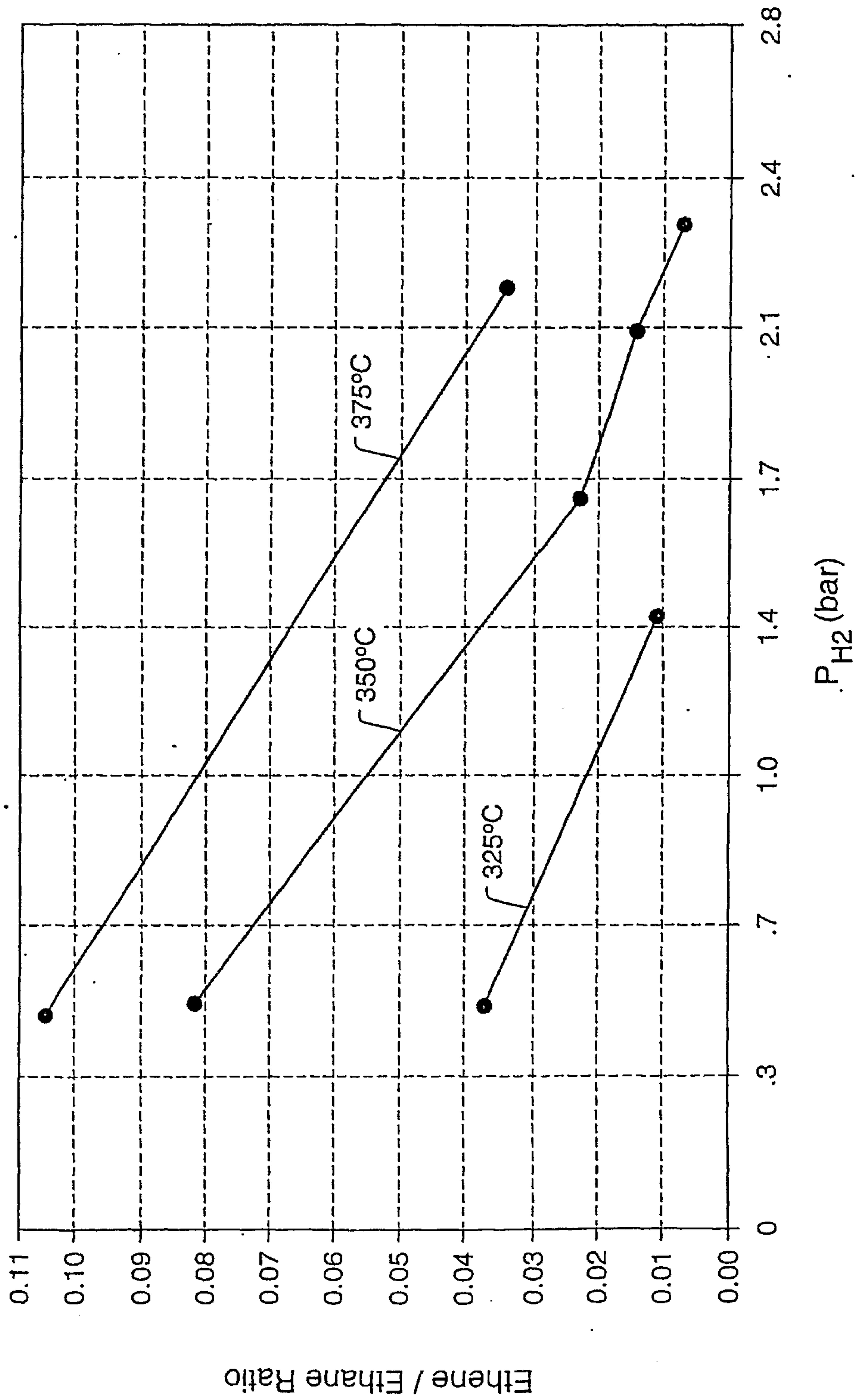


FIG. 100

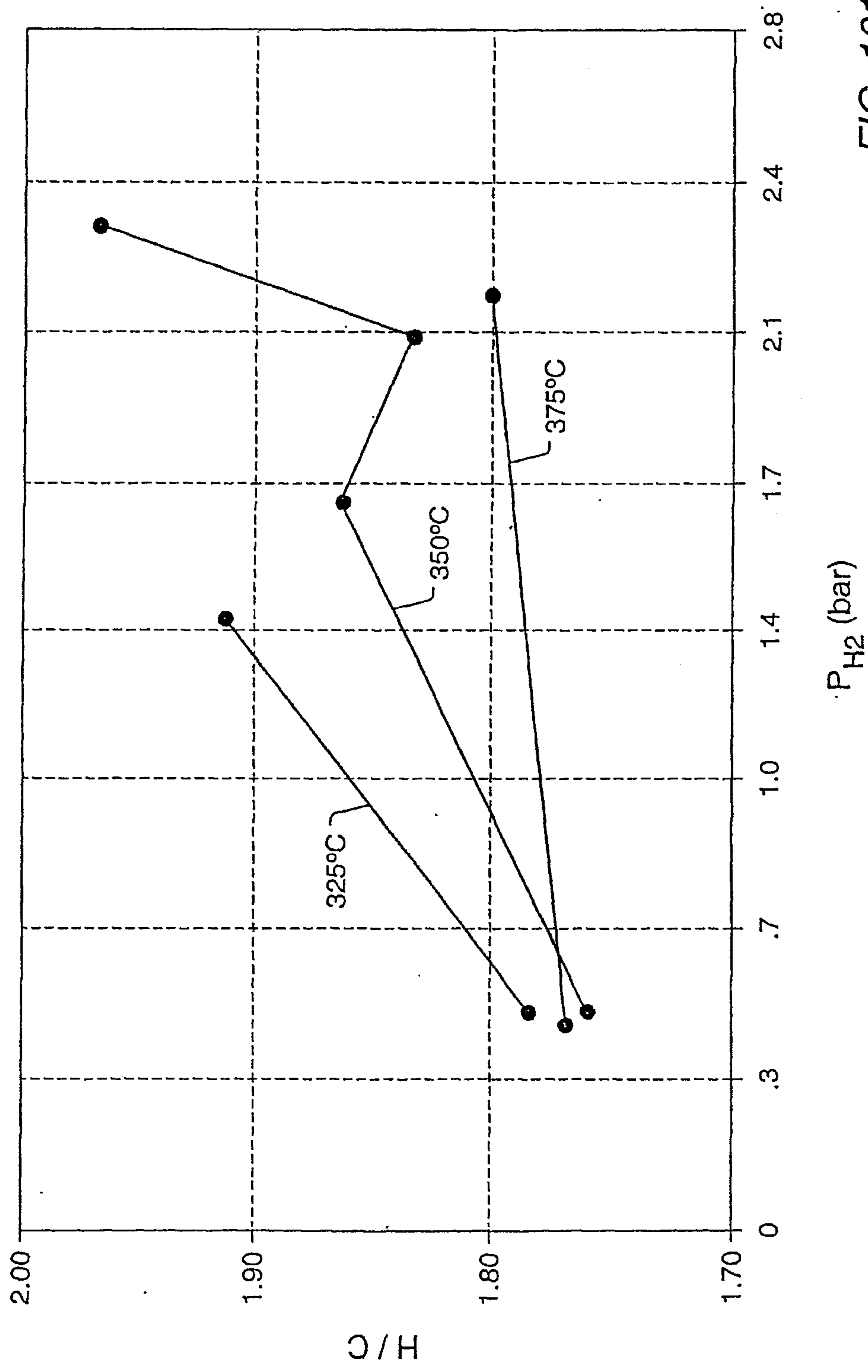


FIG. 101

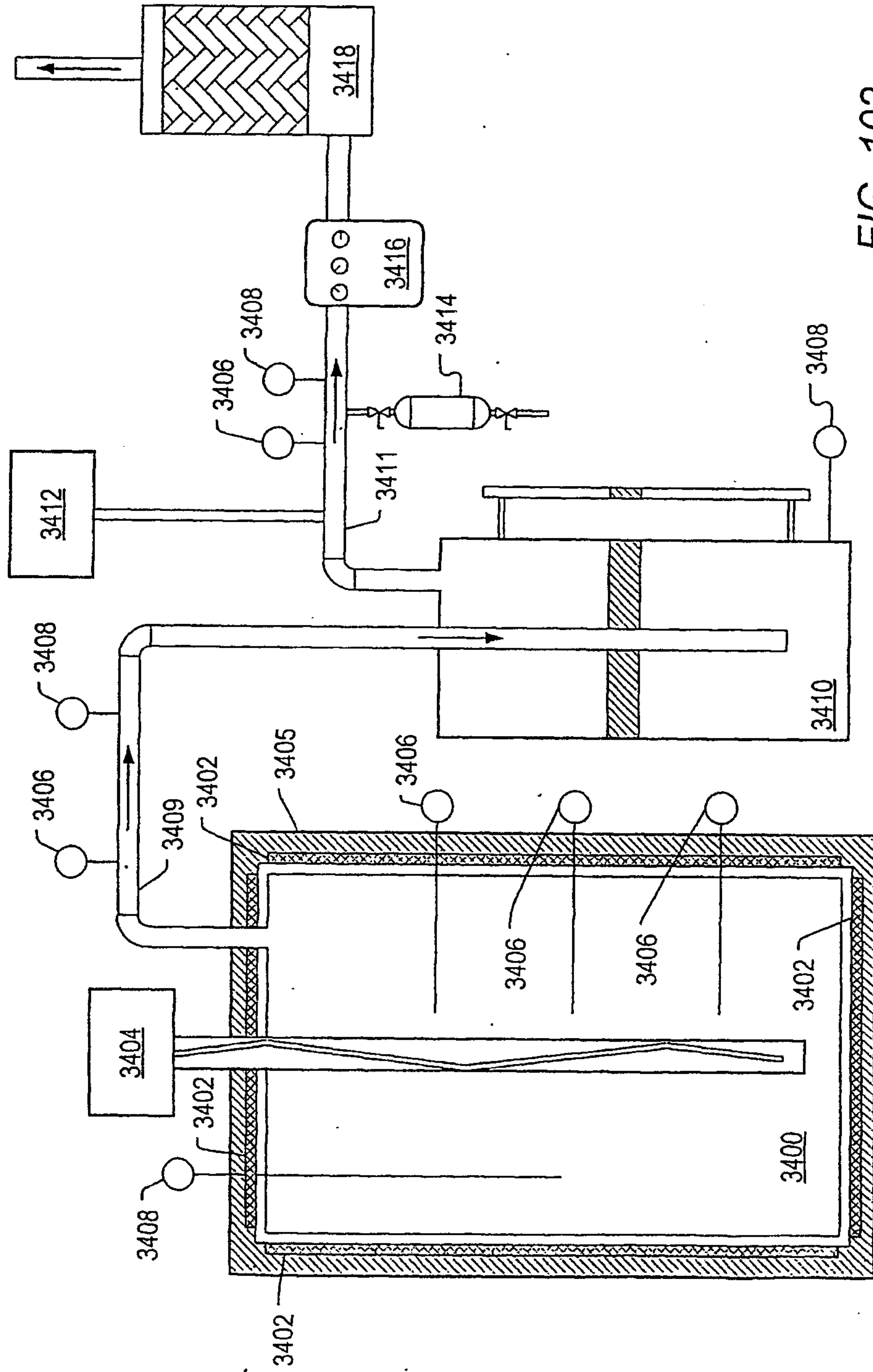


FIG. 102

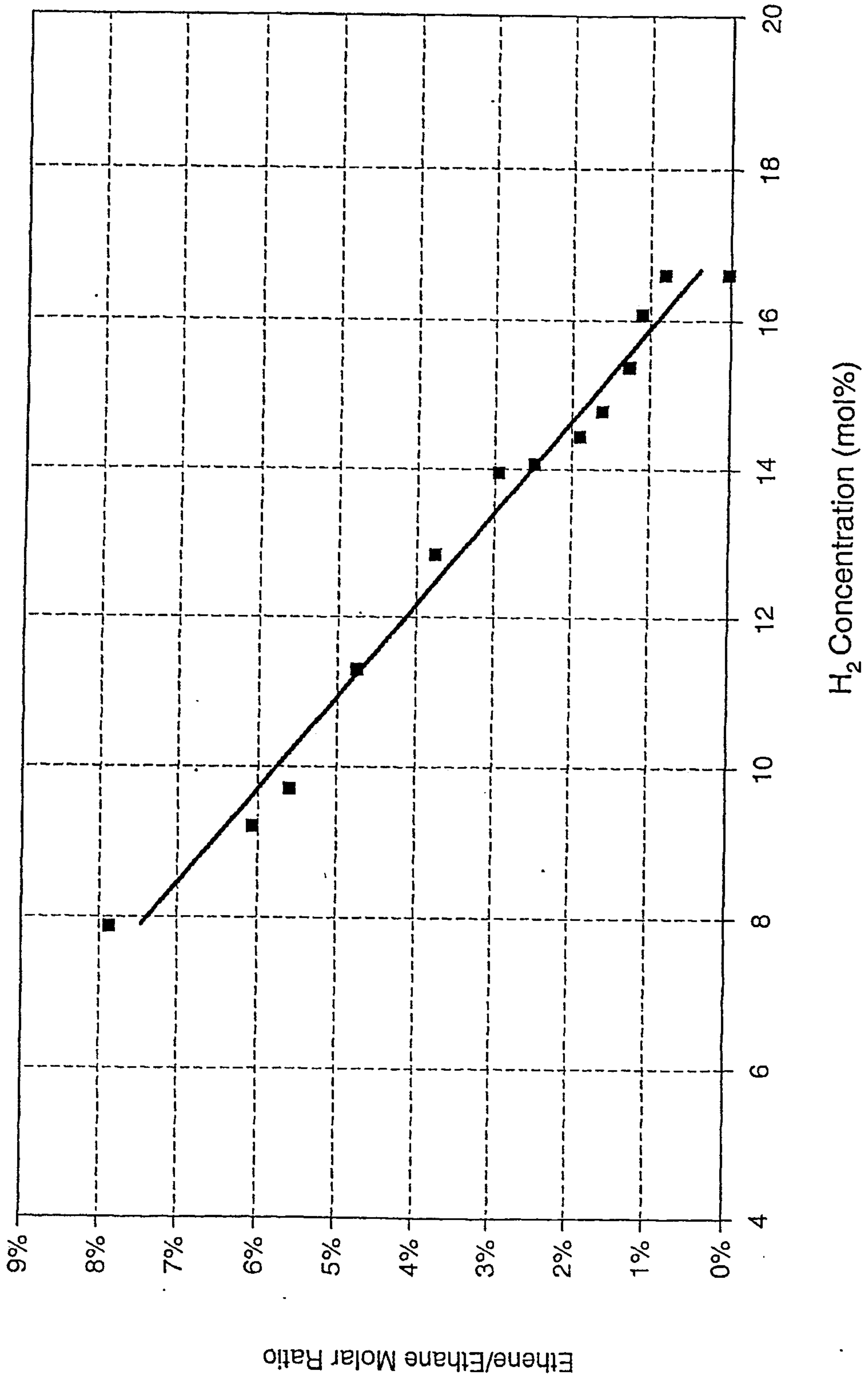
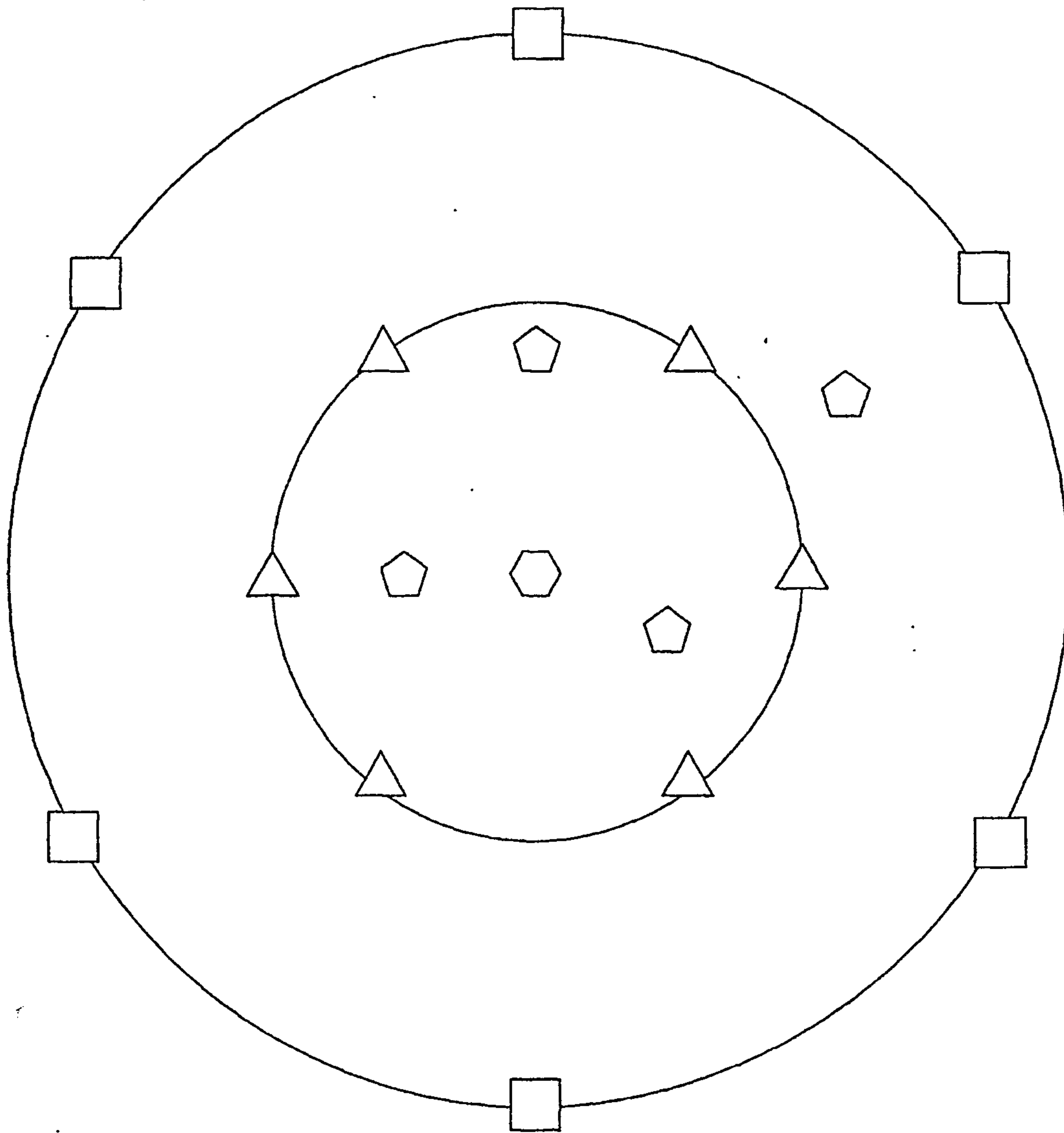


FIG. 103



△ - 3600

⬠ - 3603

□ - 3604

⬡ - 3602

FIG. 104

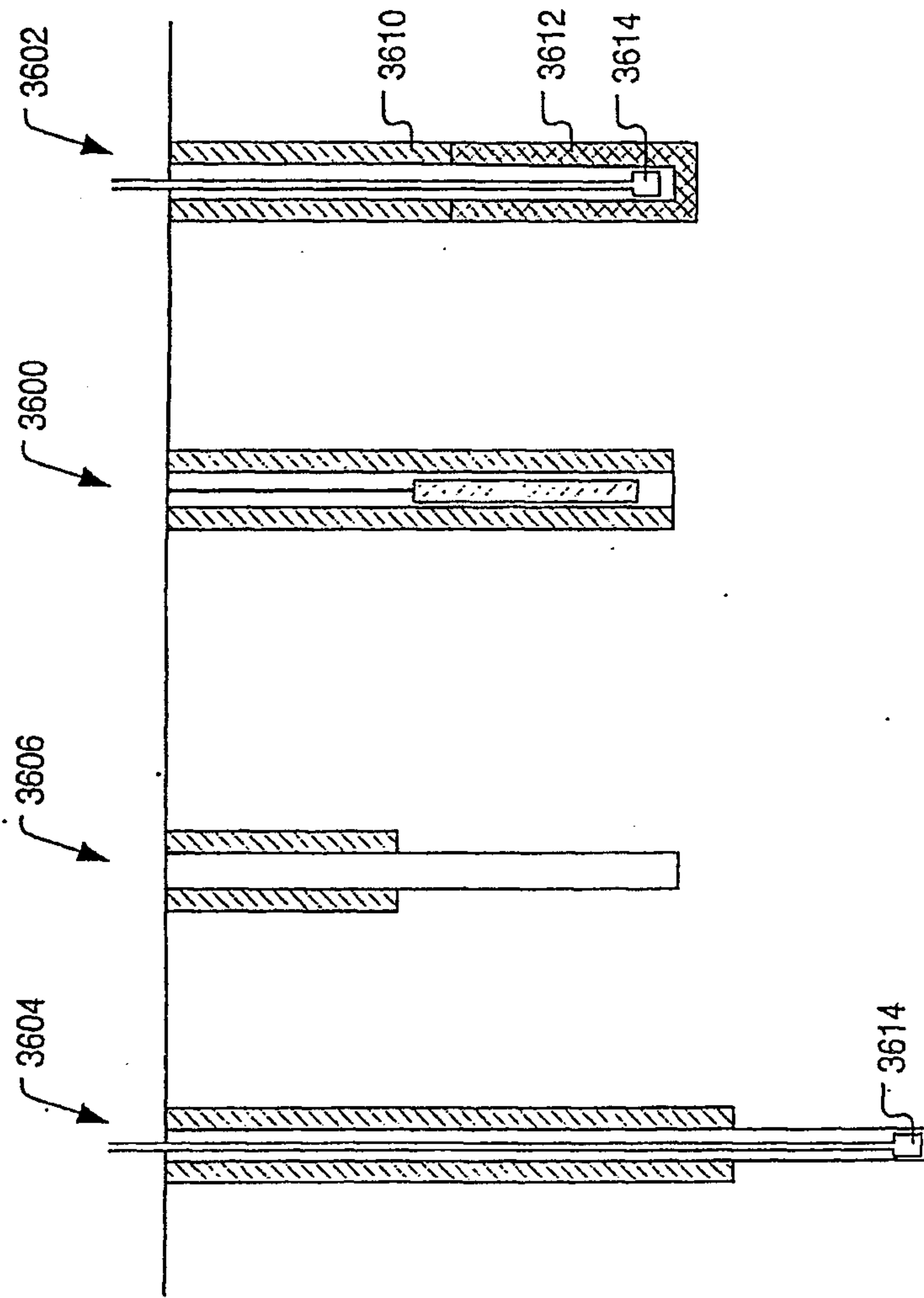


FIG. 105

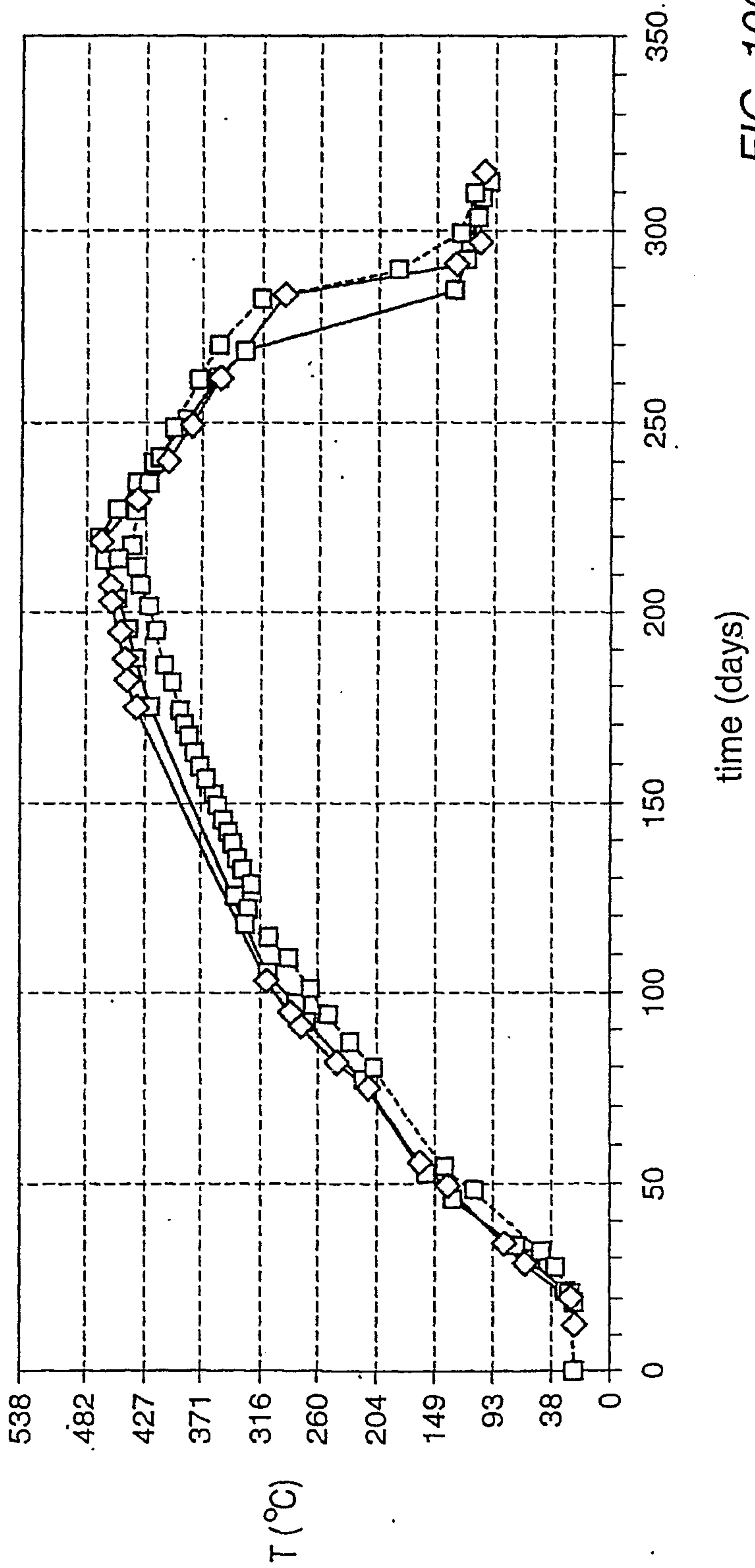


FIG. 106

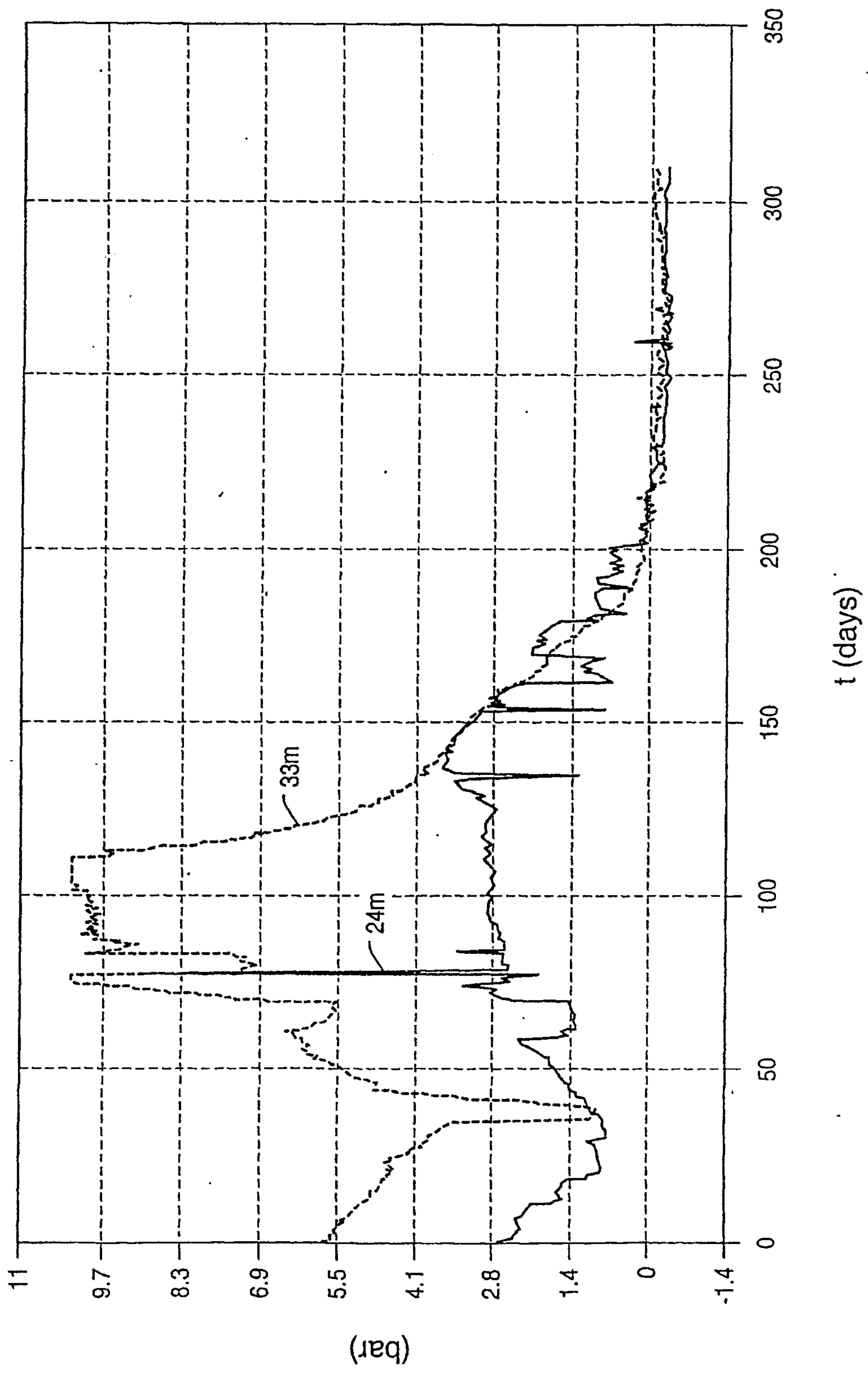


FIG. 107

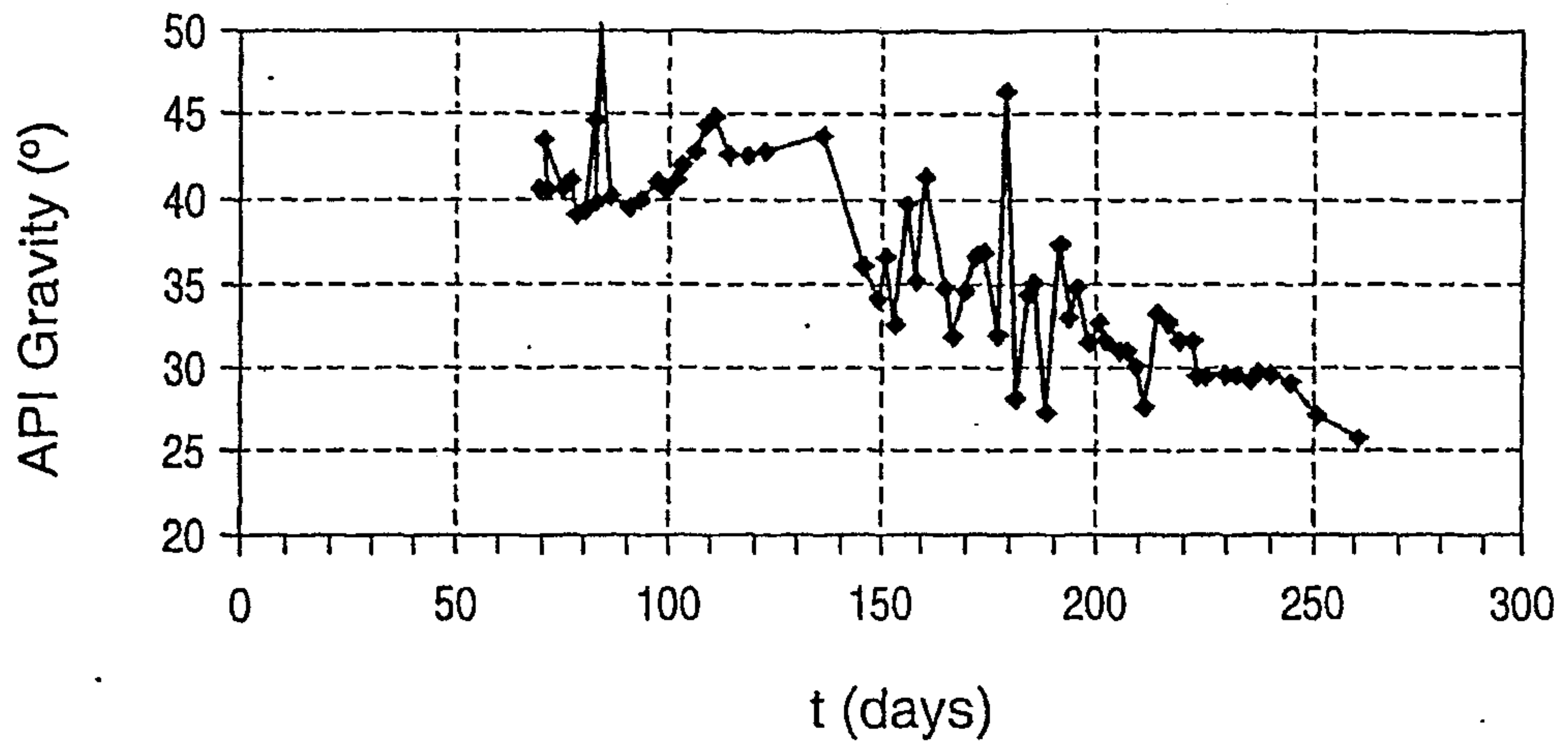


FIG. 108

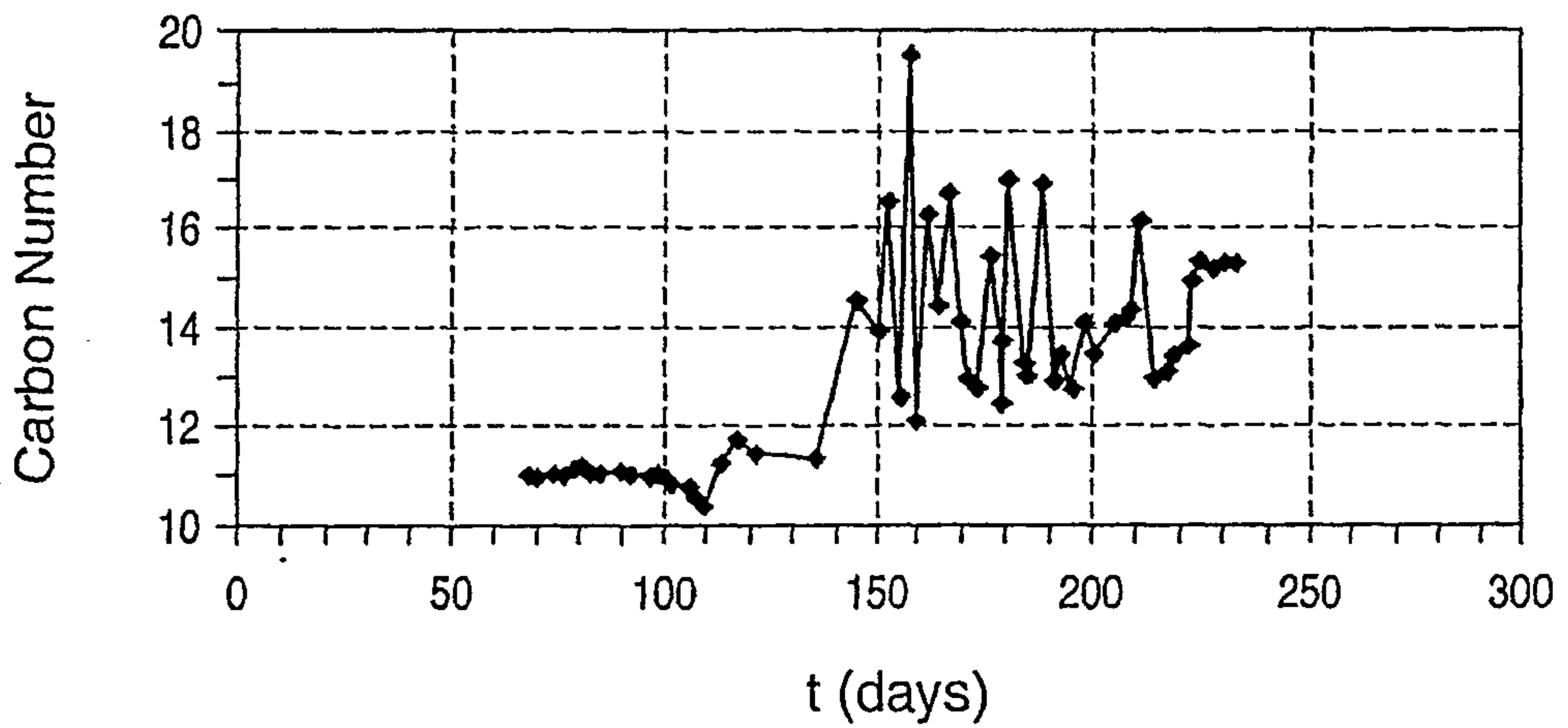


FIG. 109

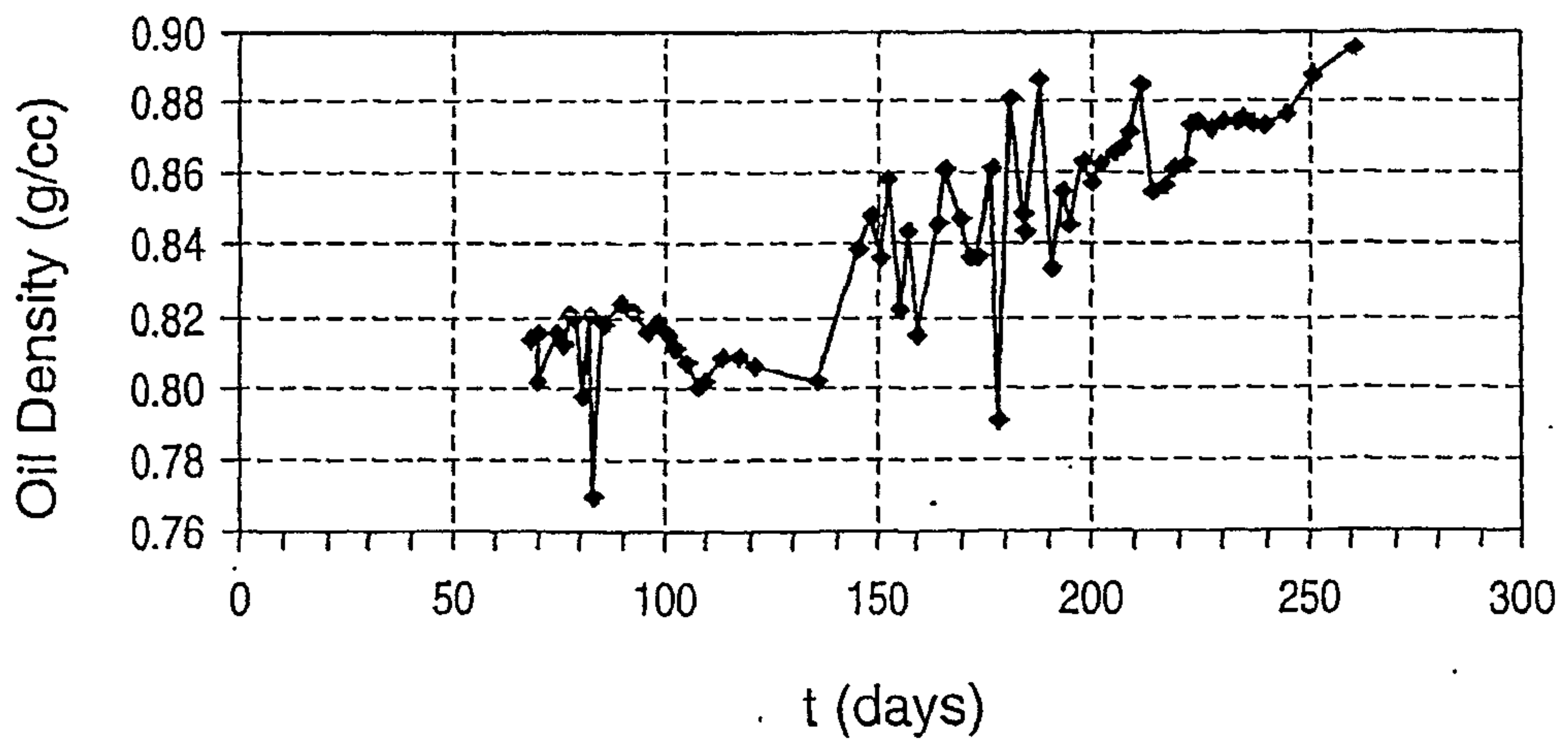


FIG. 110

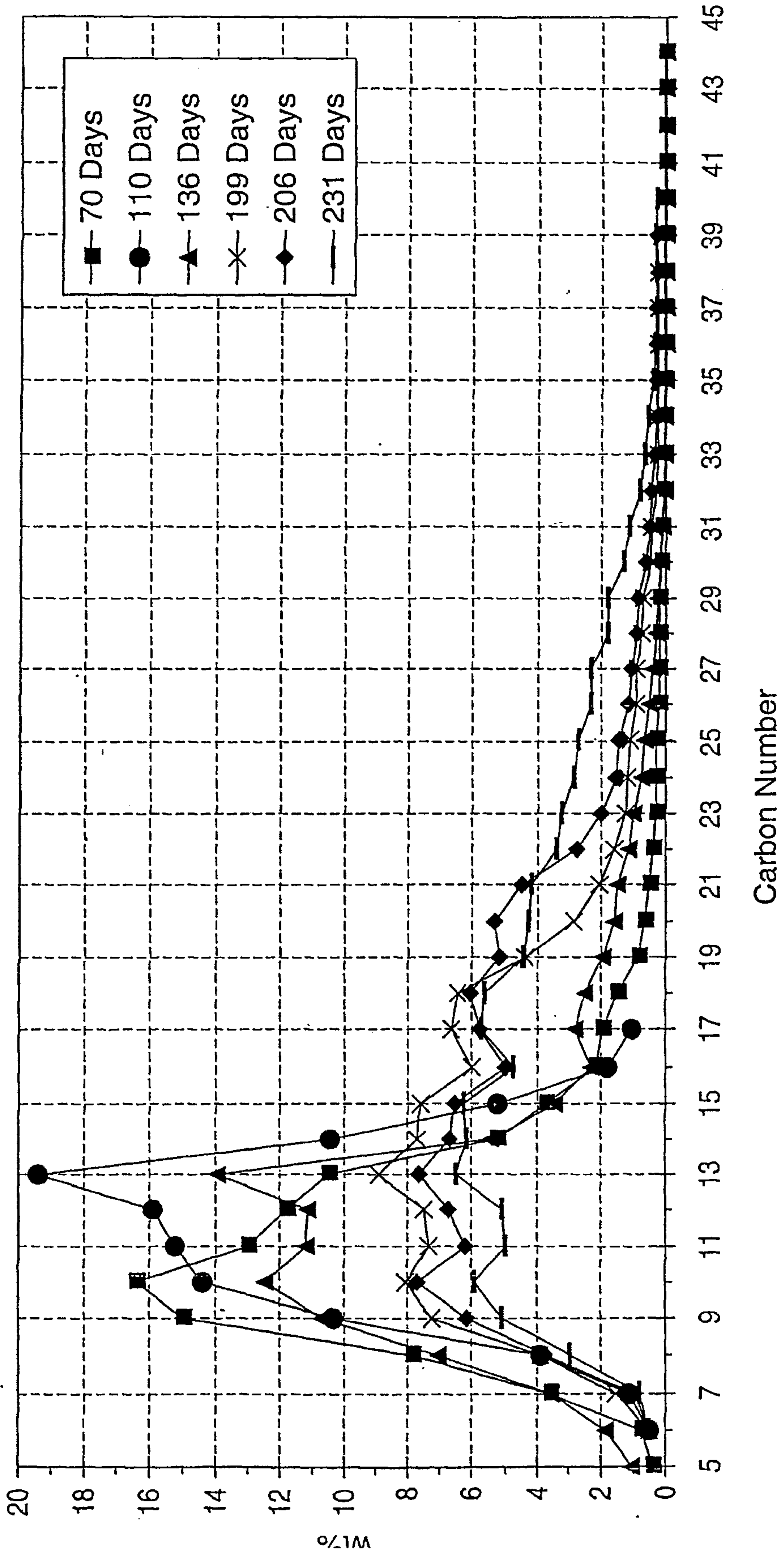


FIG. 111

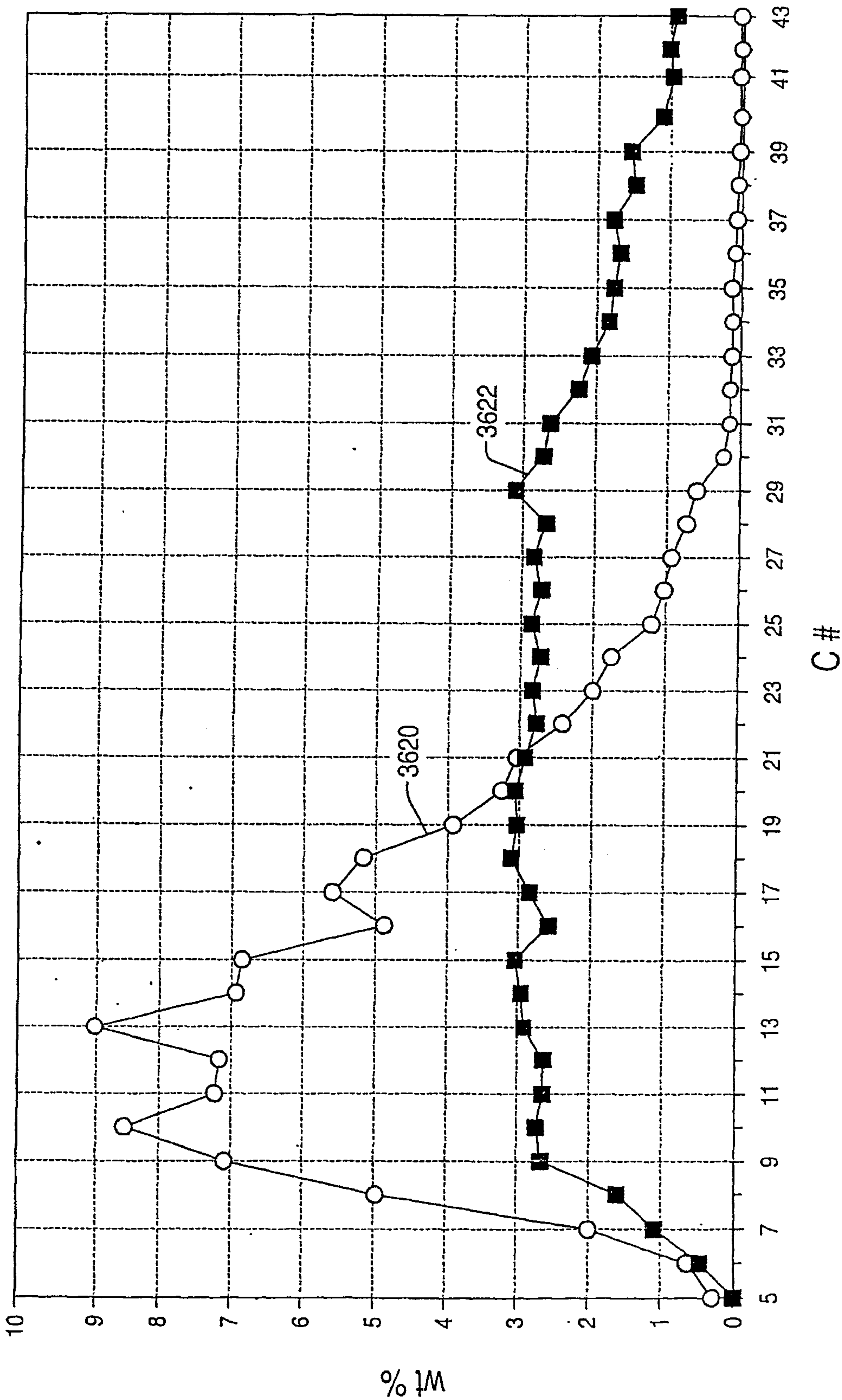


FIG. 112

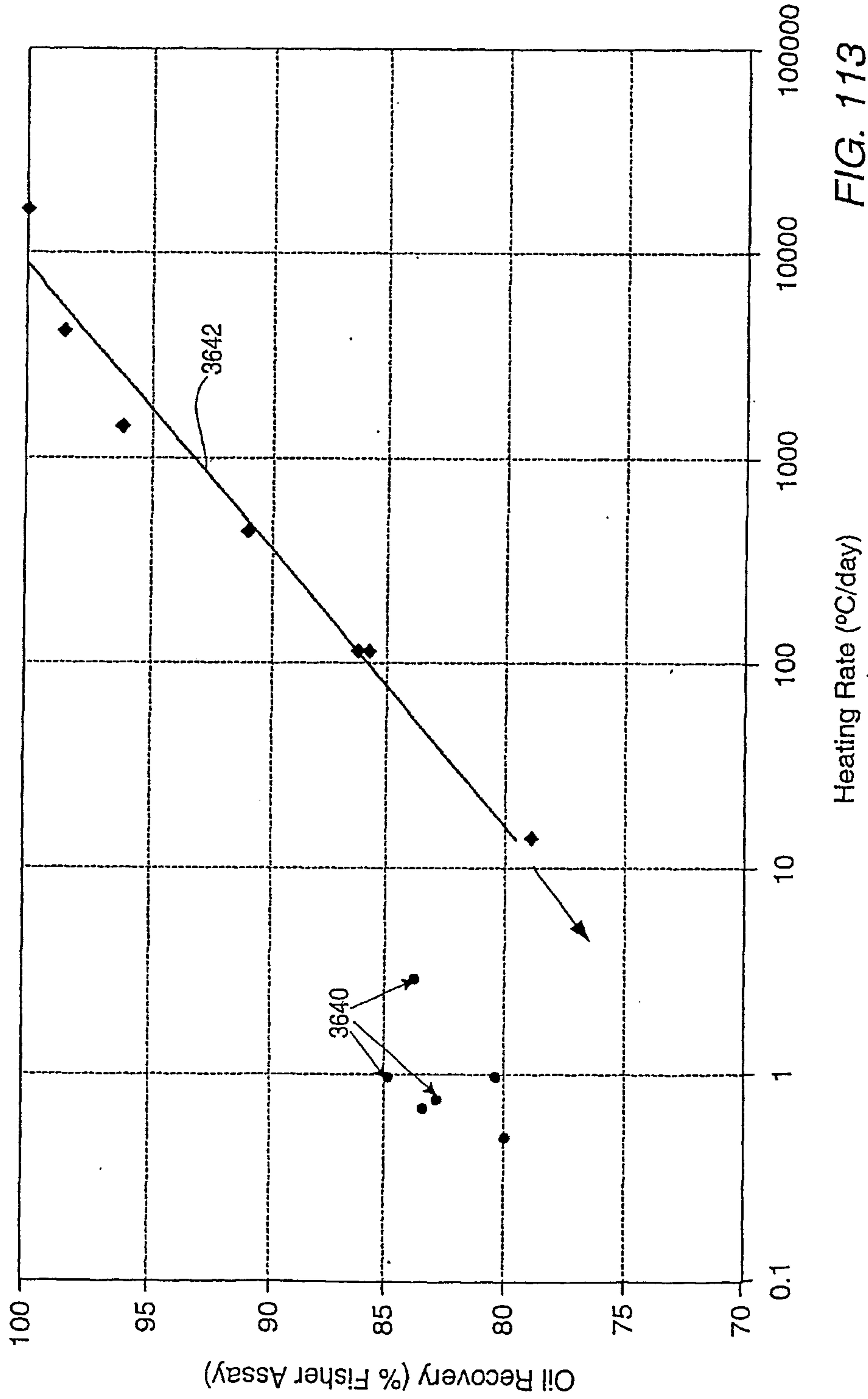


FIG. 113

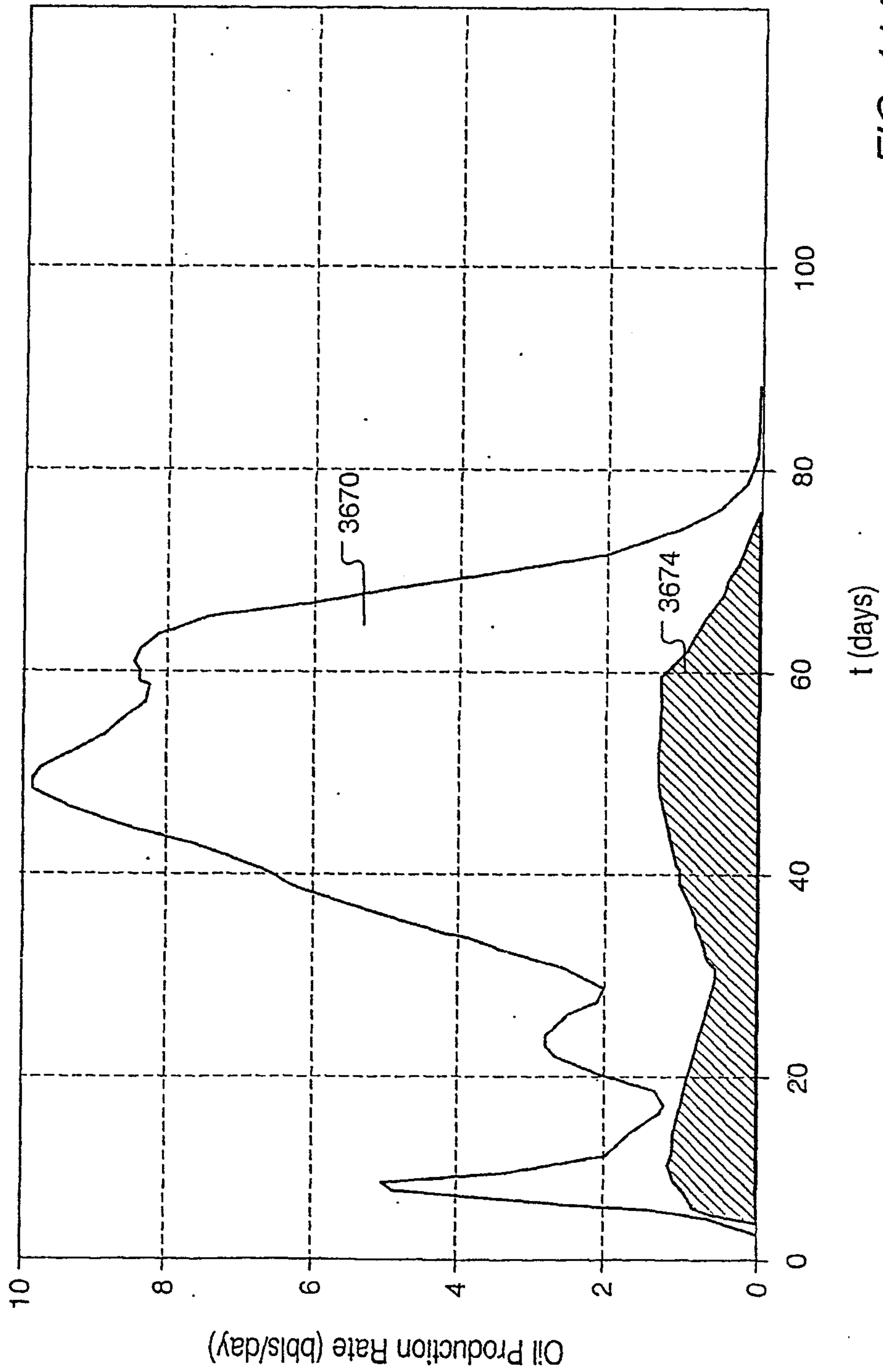


FIG. 114.

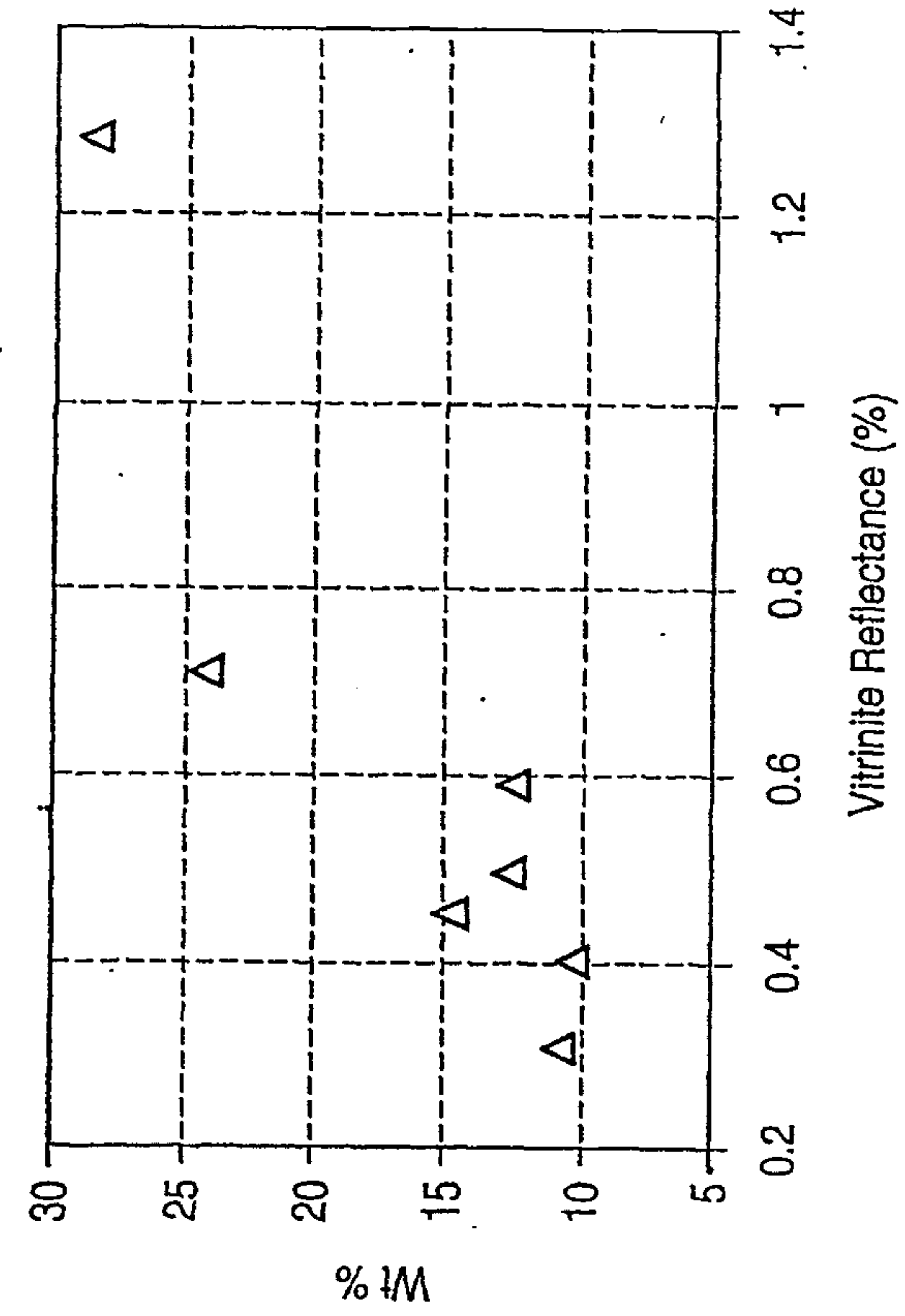


FIG. 116

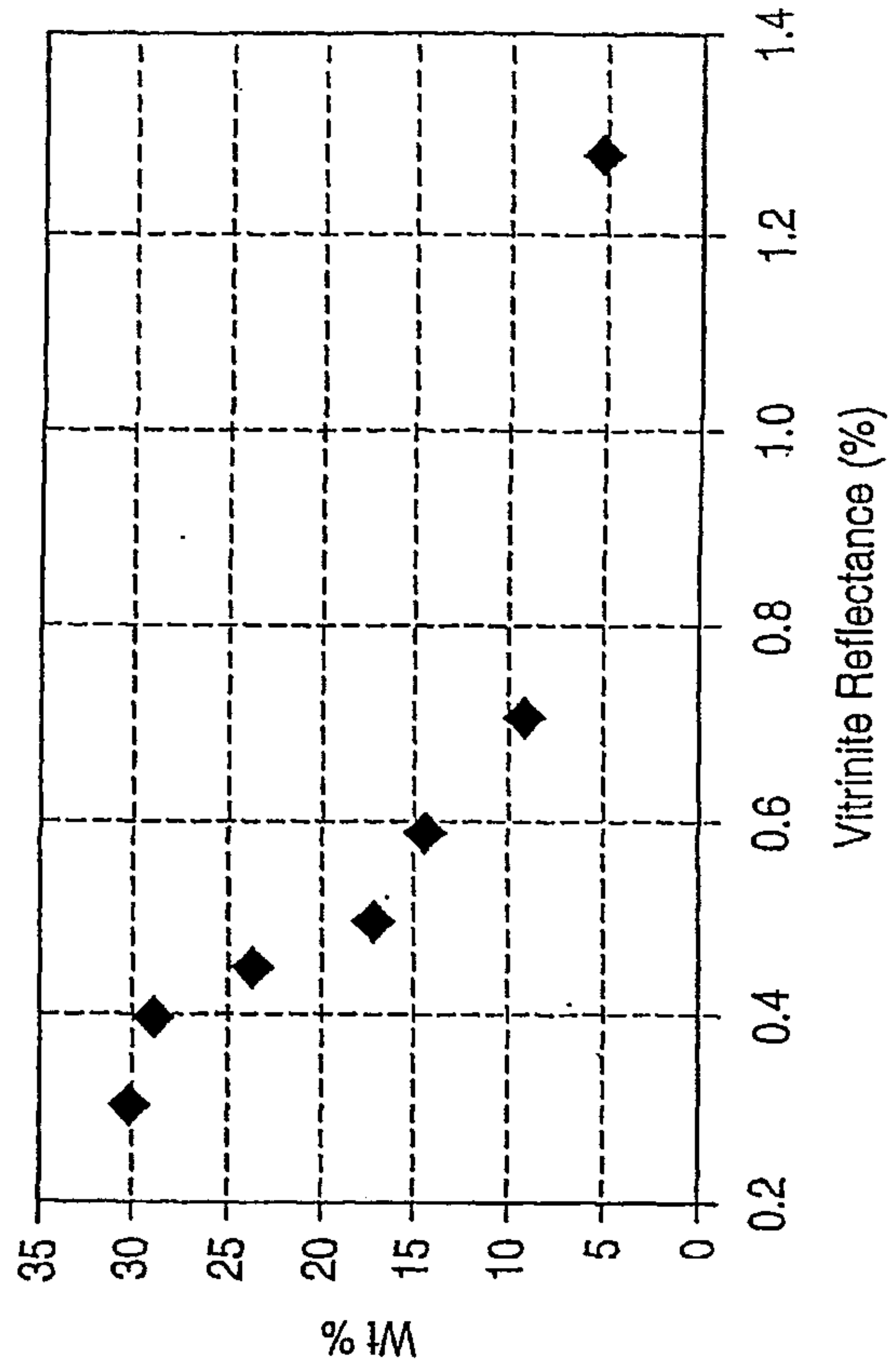


FIG. 117

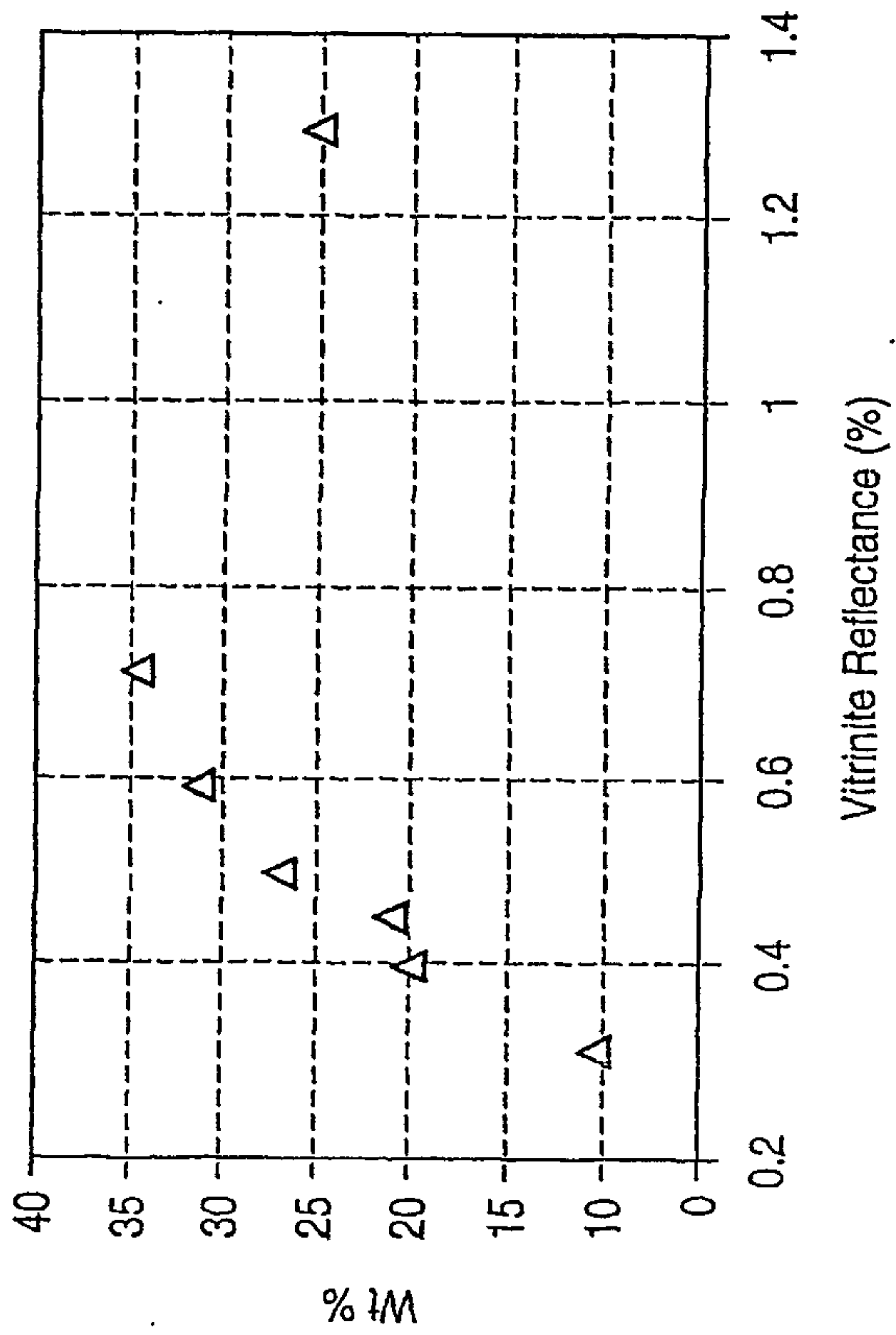


FIG. 115

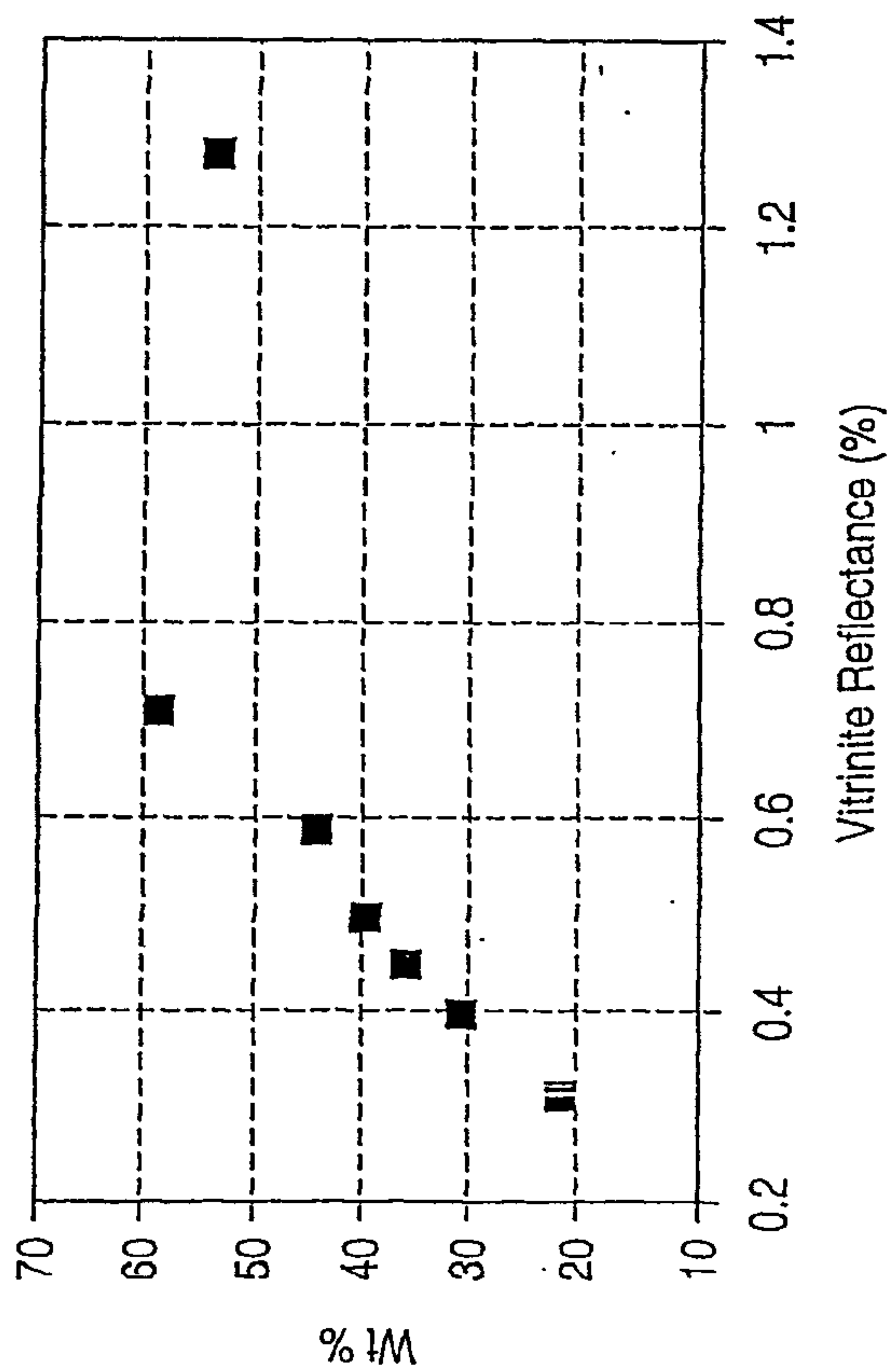


FIG. 117

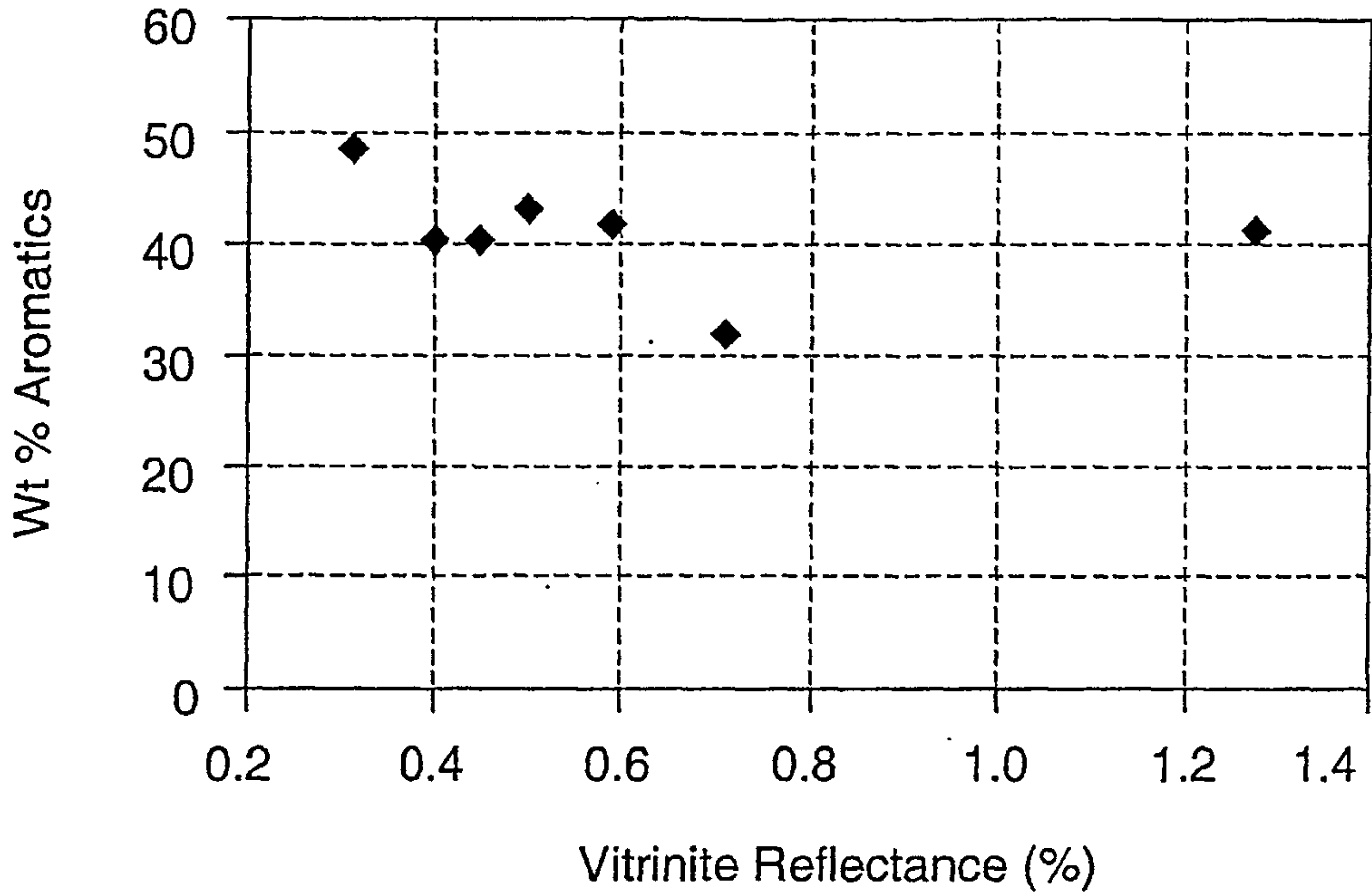


FIG. 119

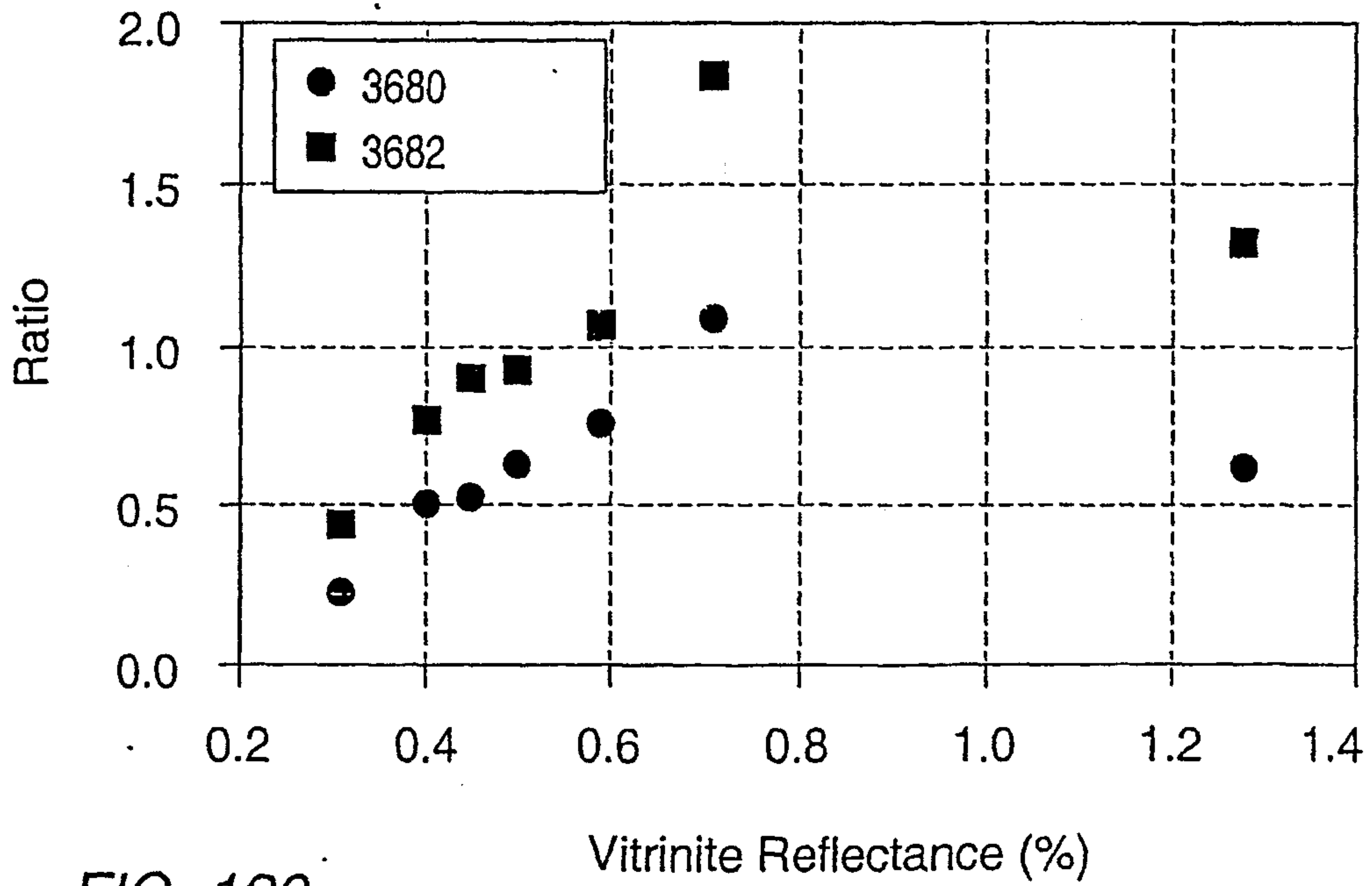


FIG. 120

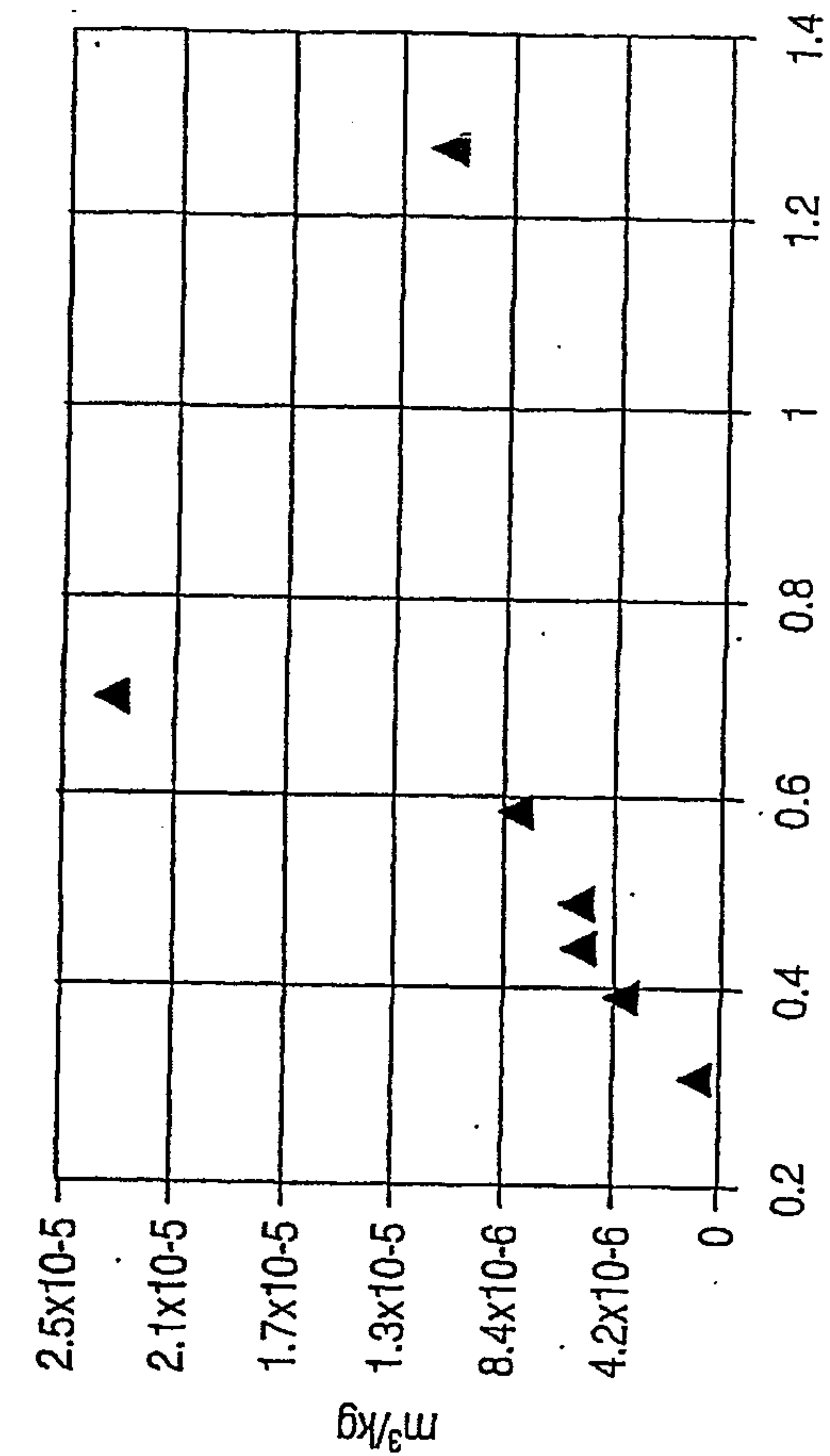


FIG. 122

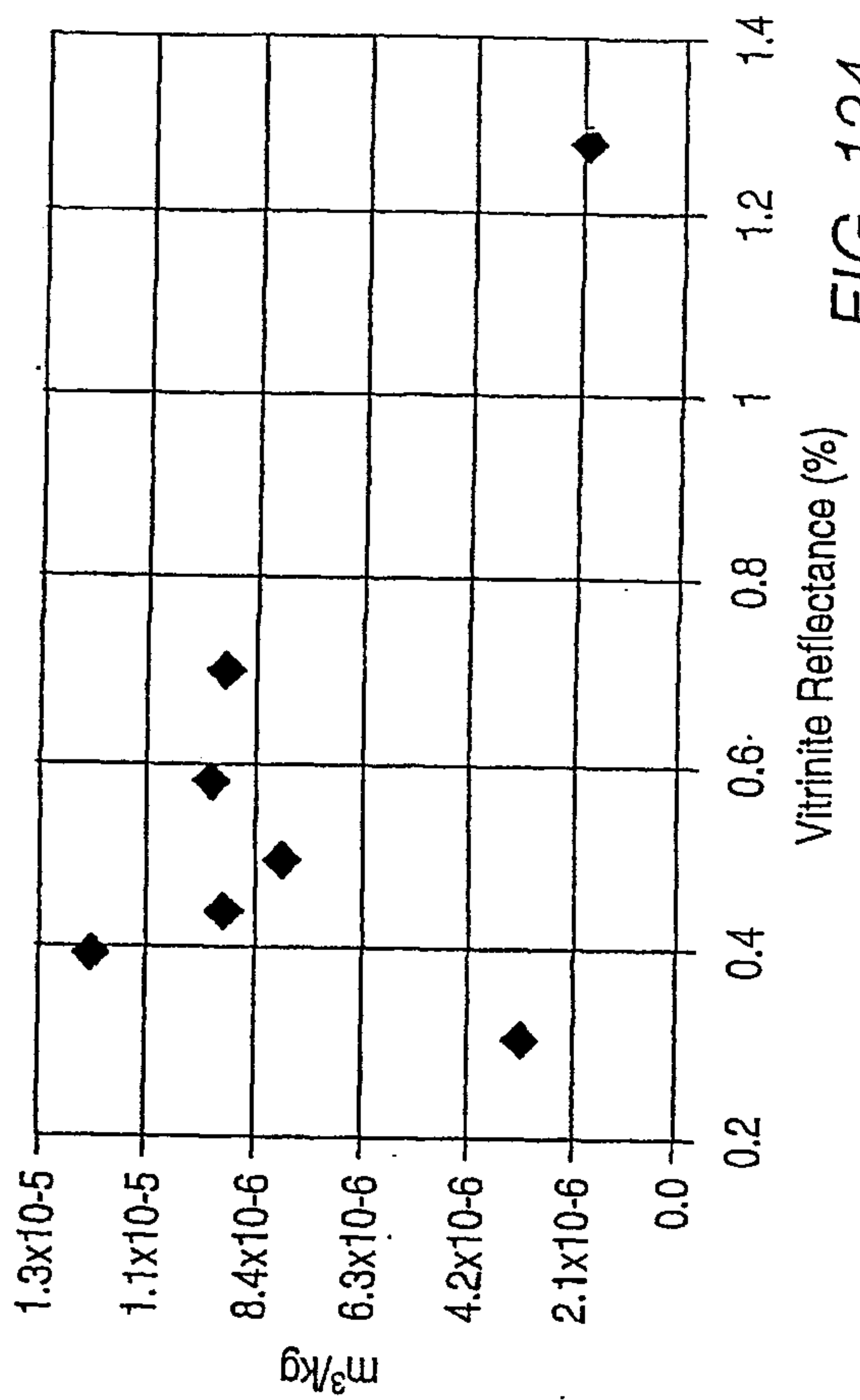


FIG. 124

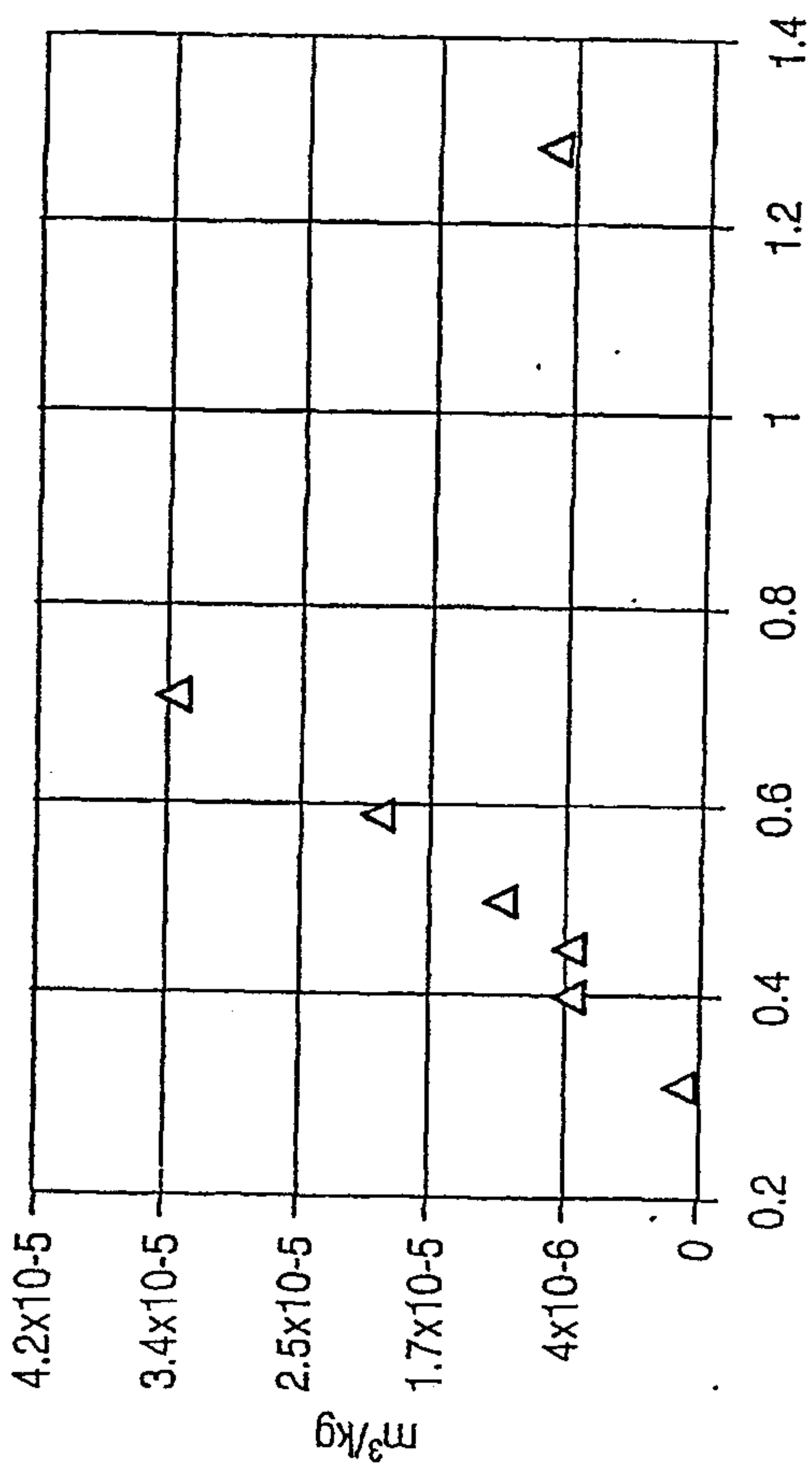


FIG. 121

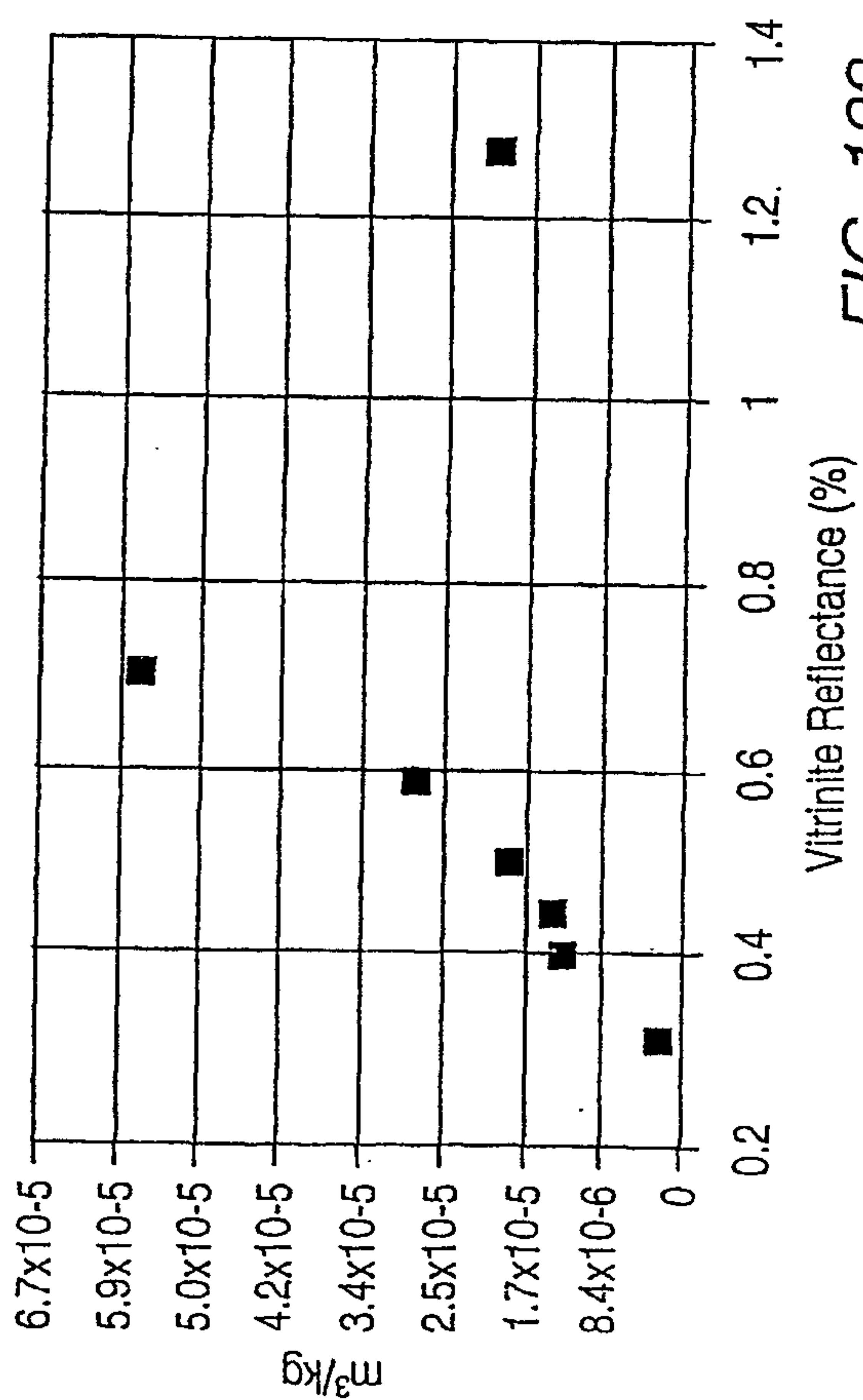


FIG. 123

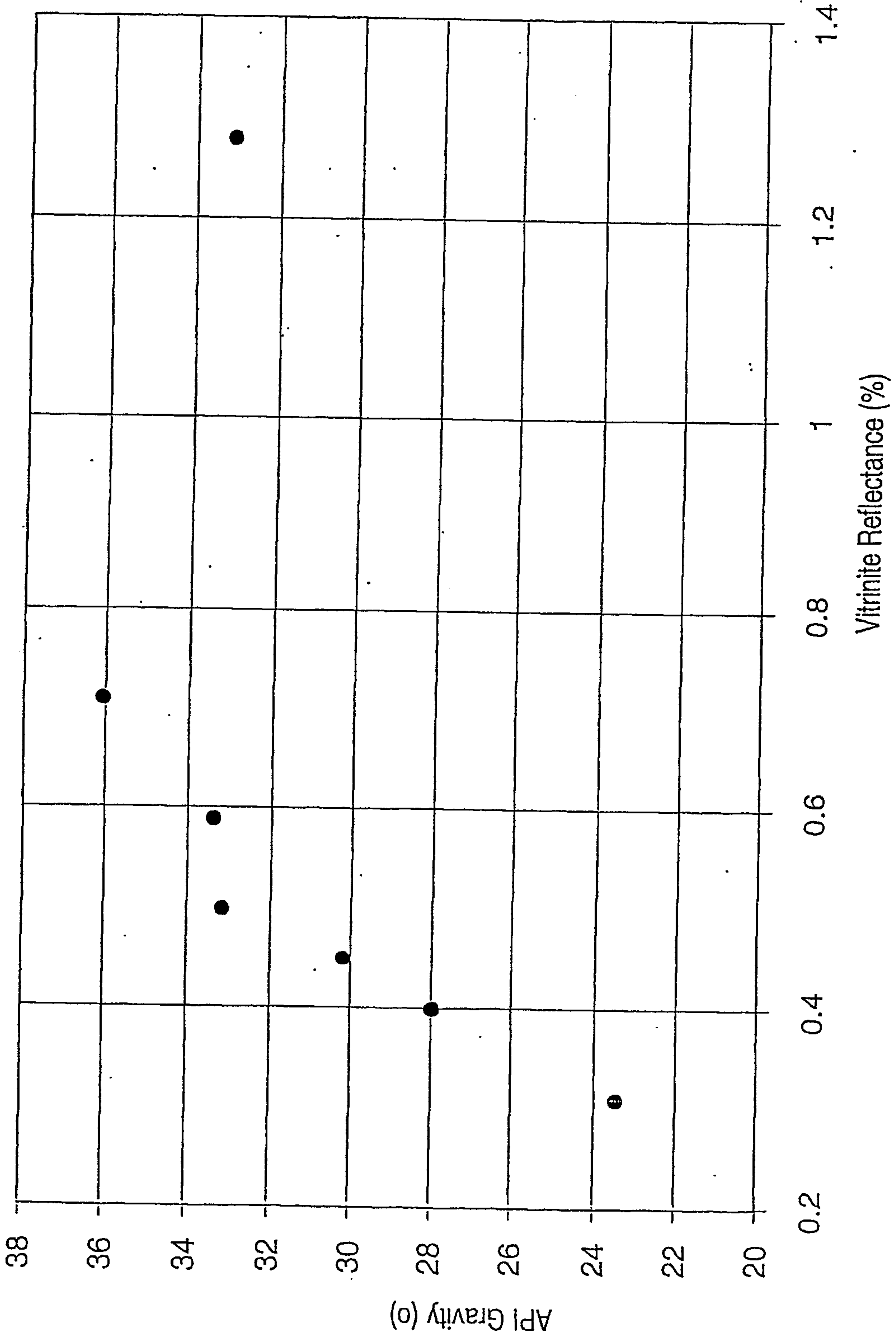
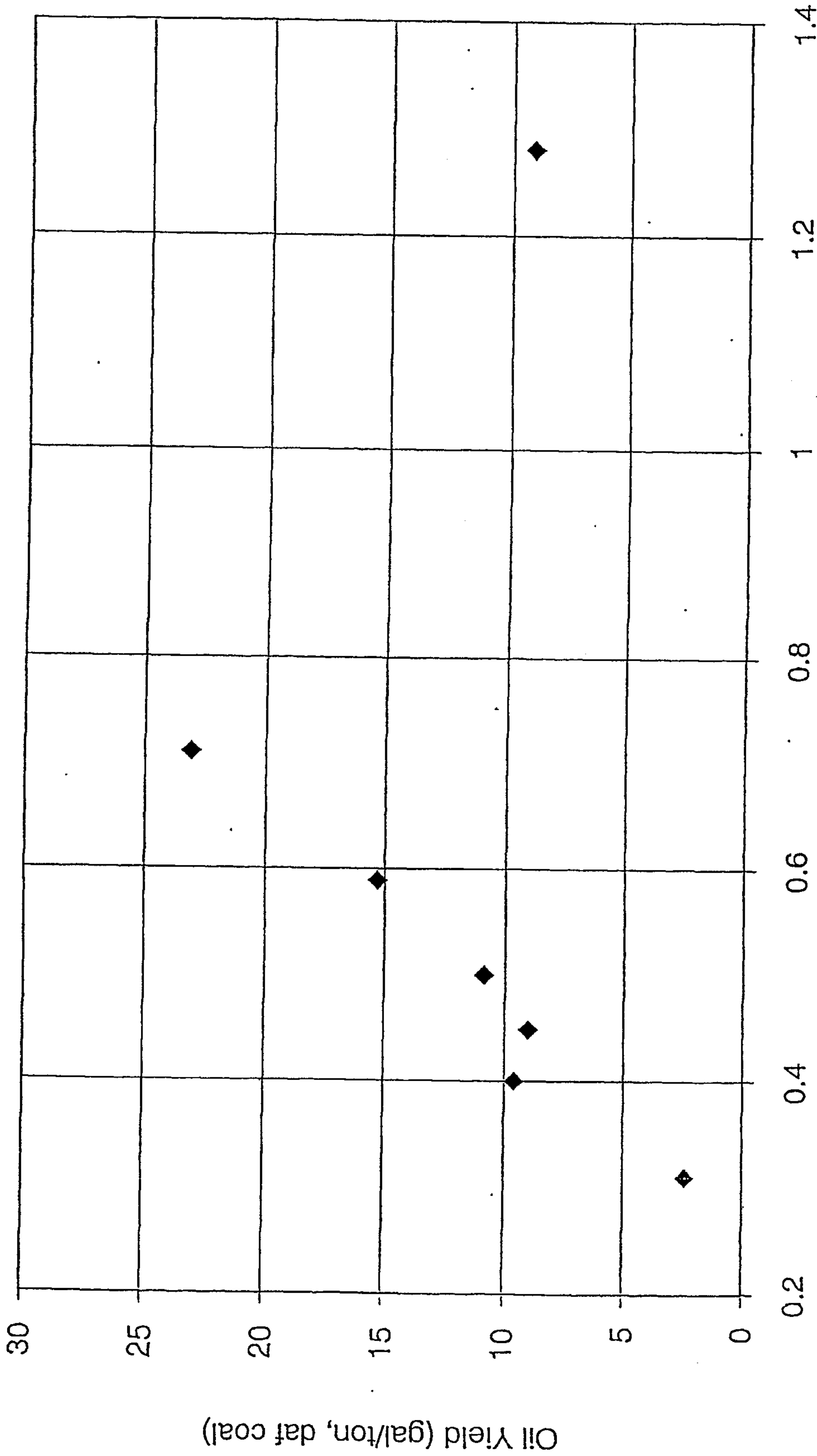


FIG. 125



Vitrinite Reflectance (%)

FIG. 126

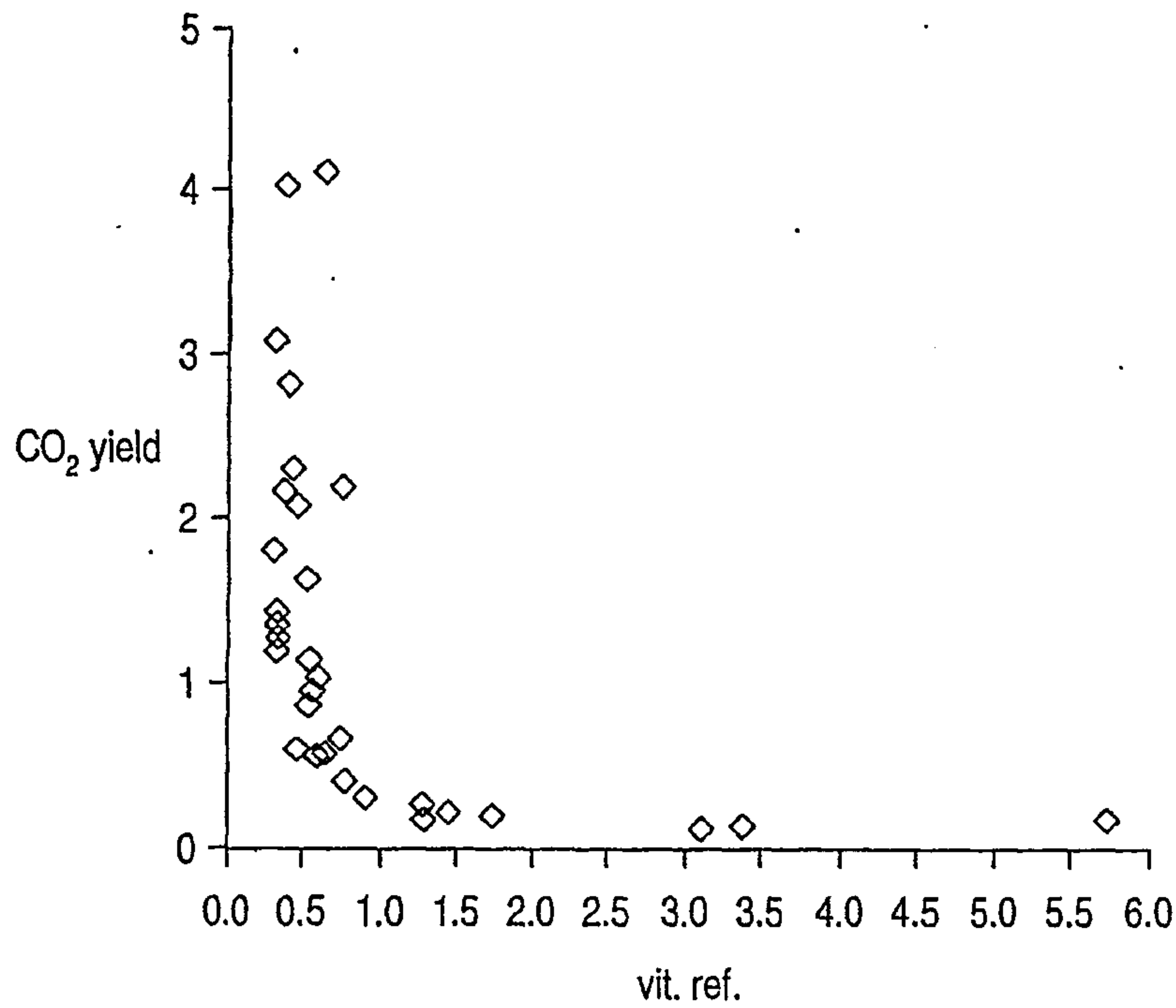


FIG. 127

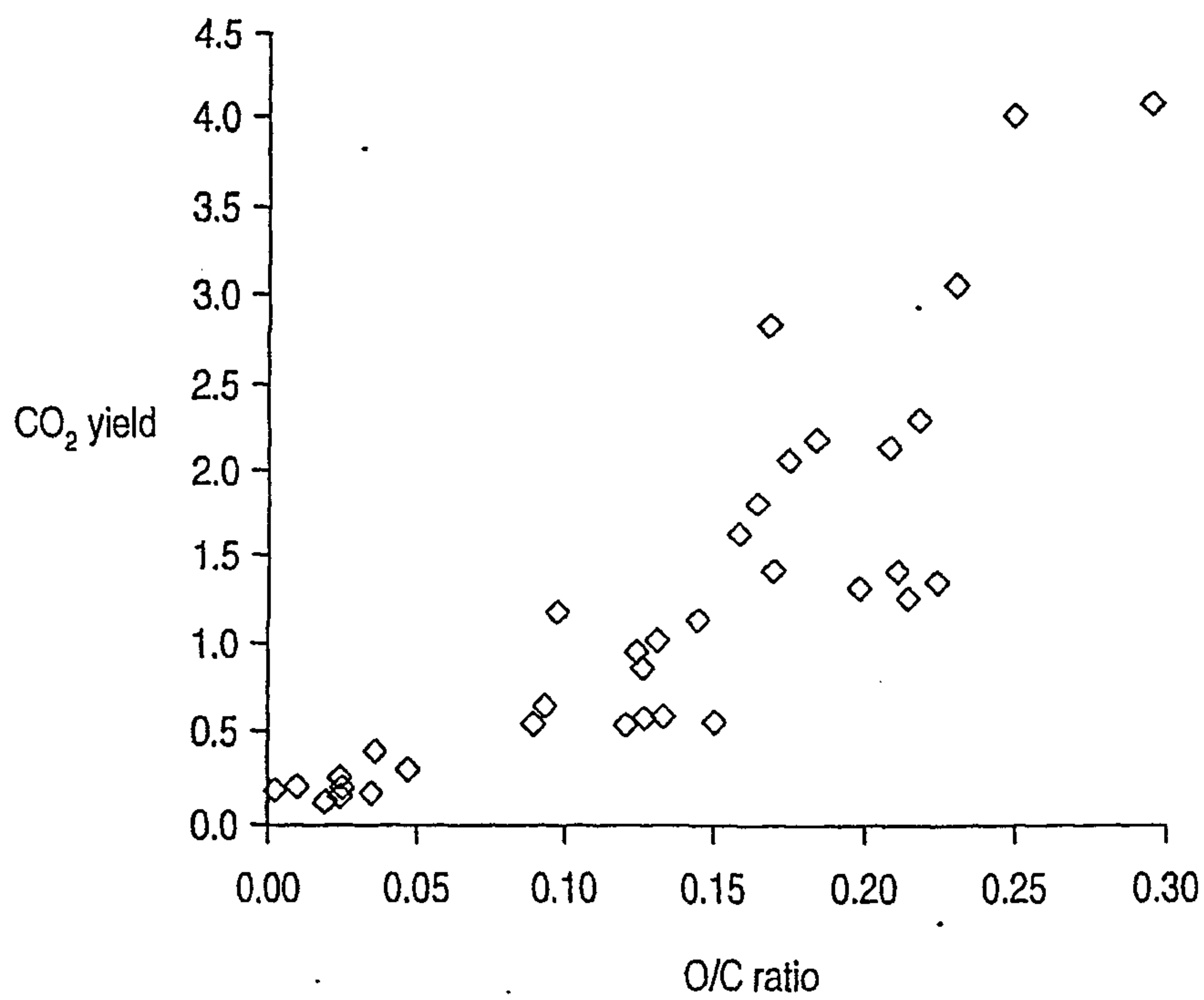


FIG. 128

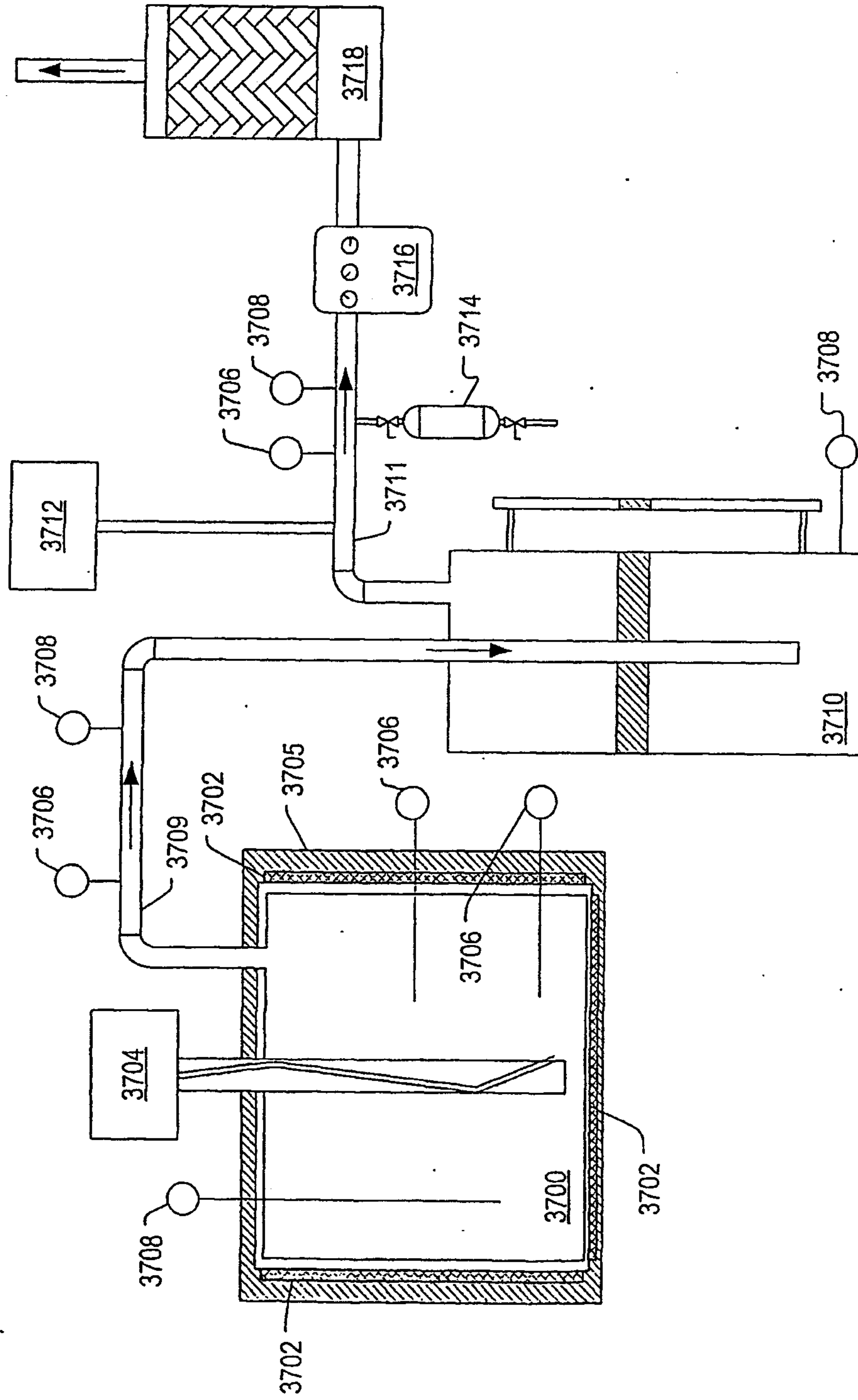


FIG. 129

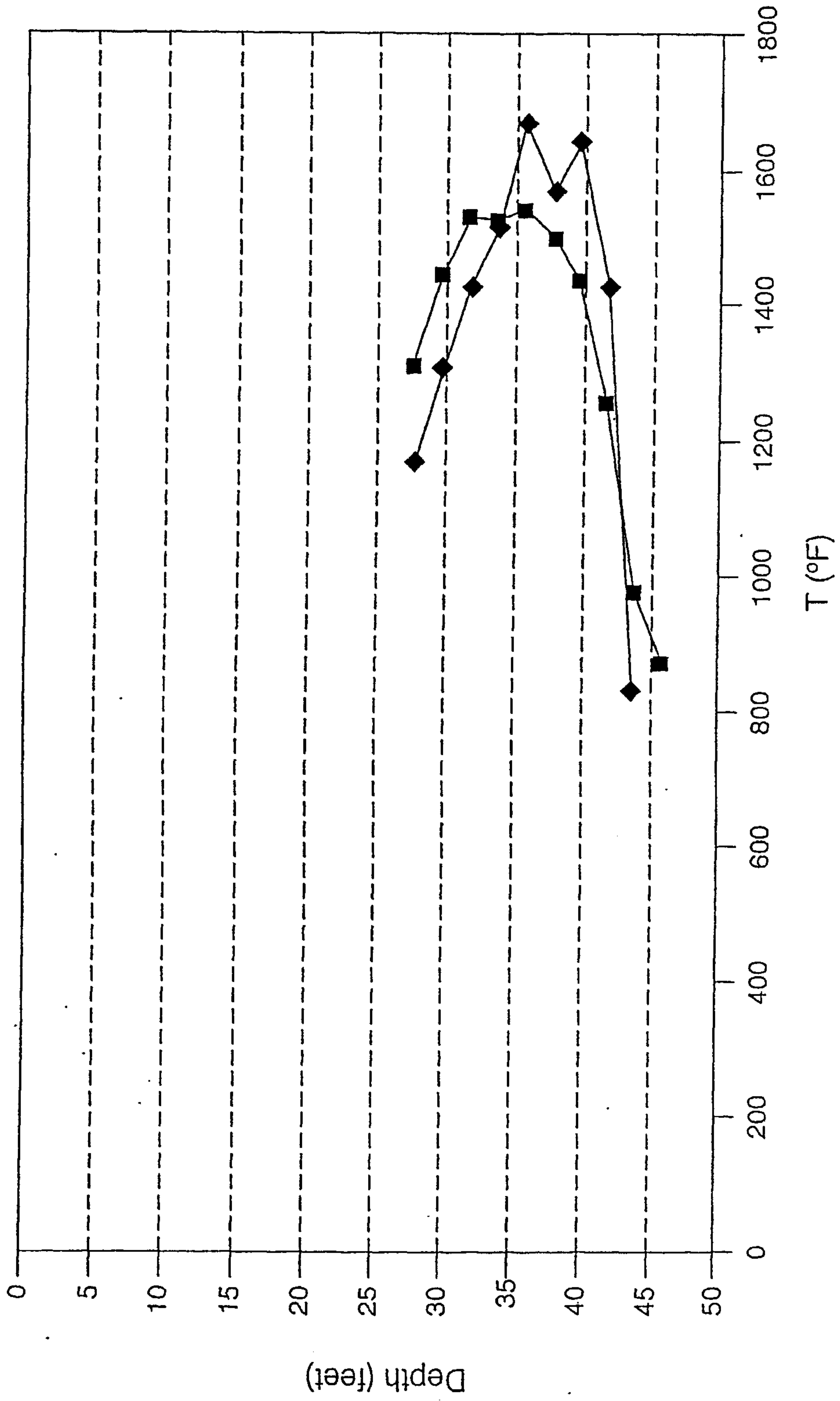


FIG. 130

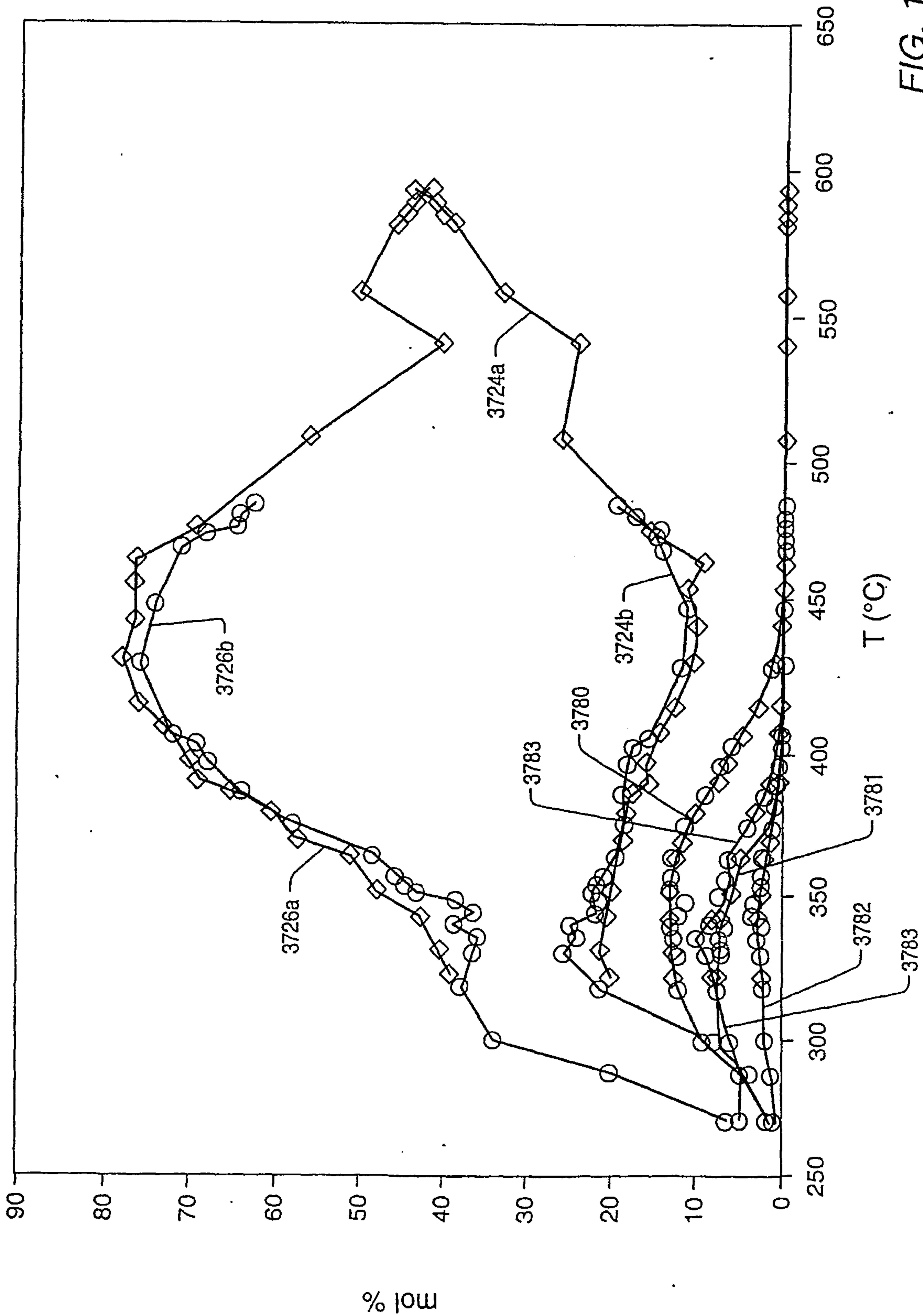


FIG. 131

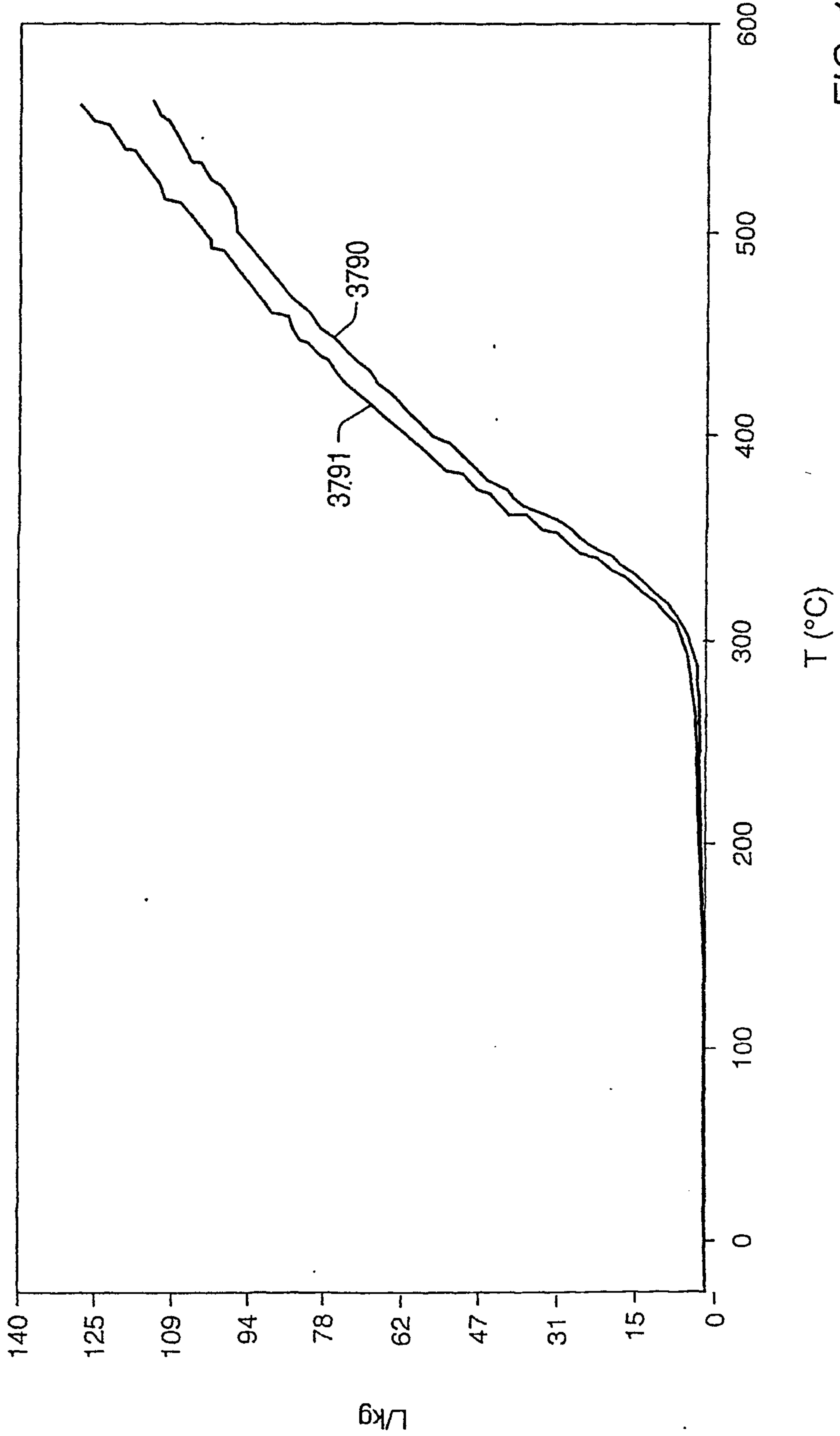


FIG. 132

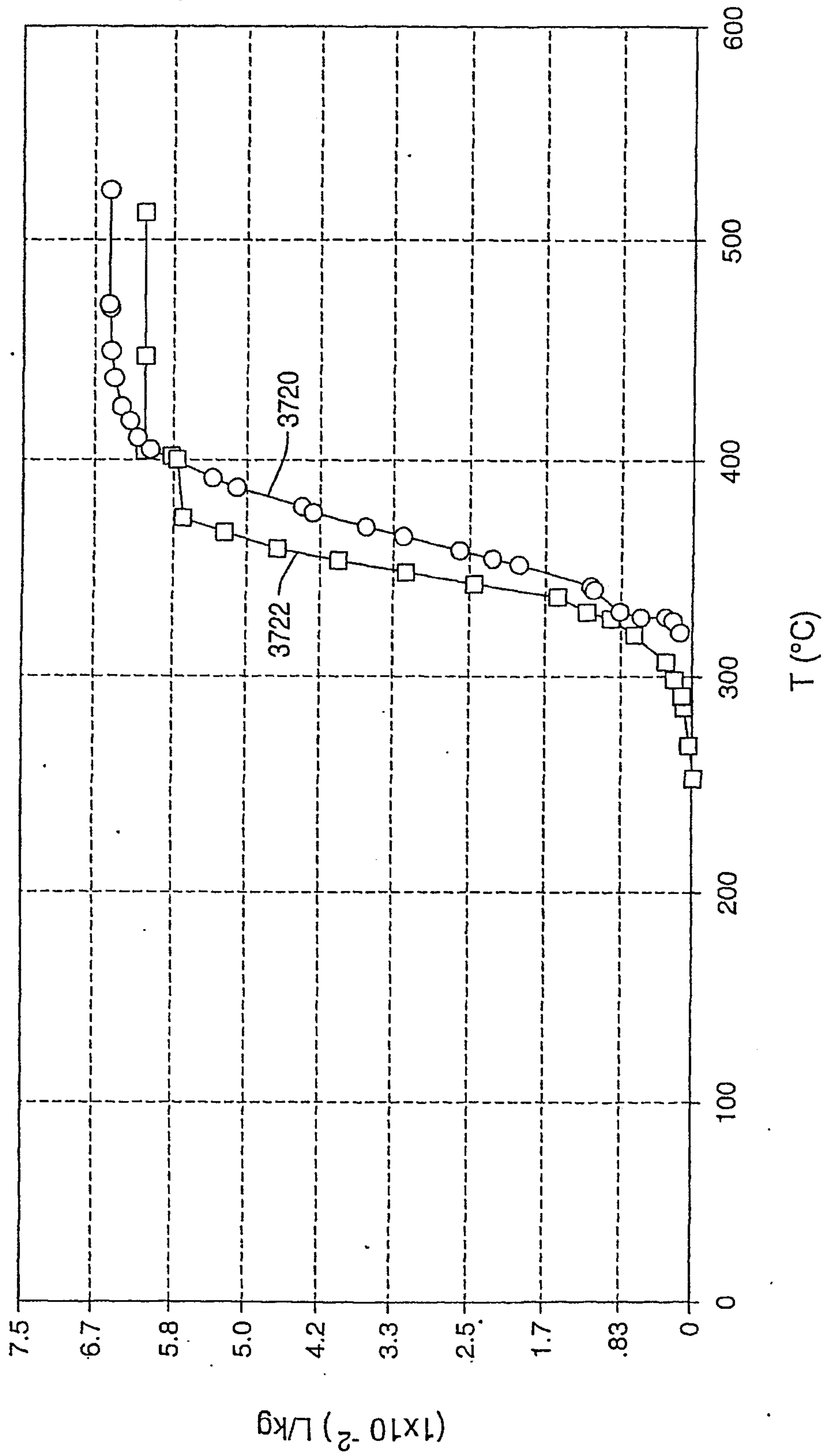


FIG. 133

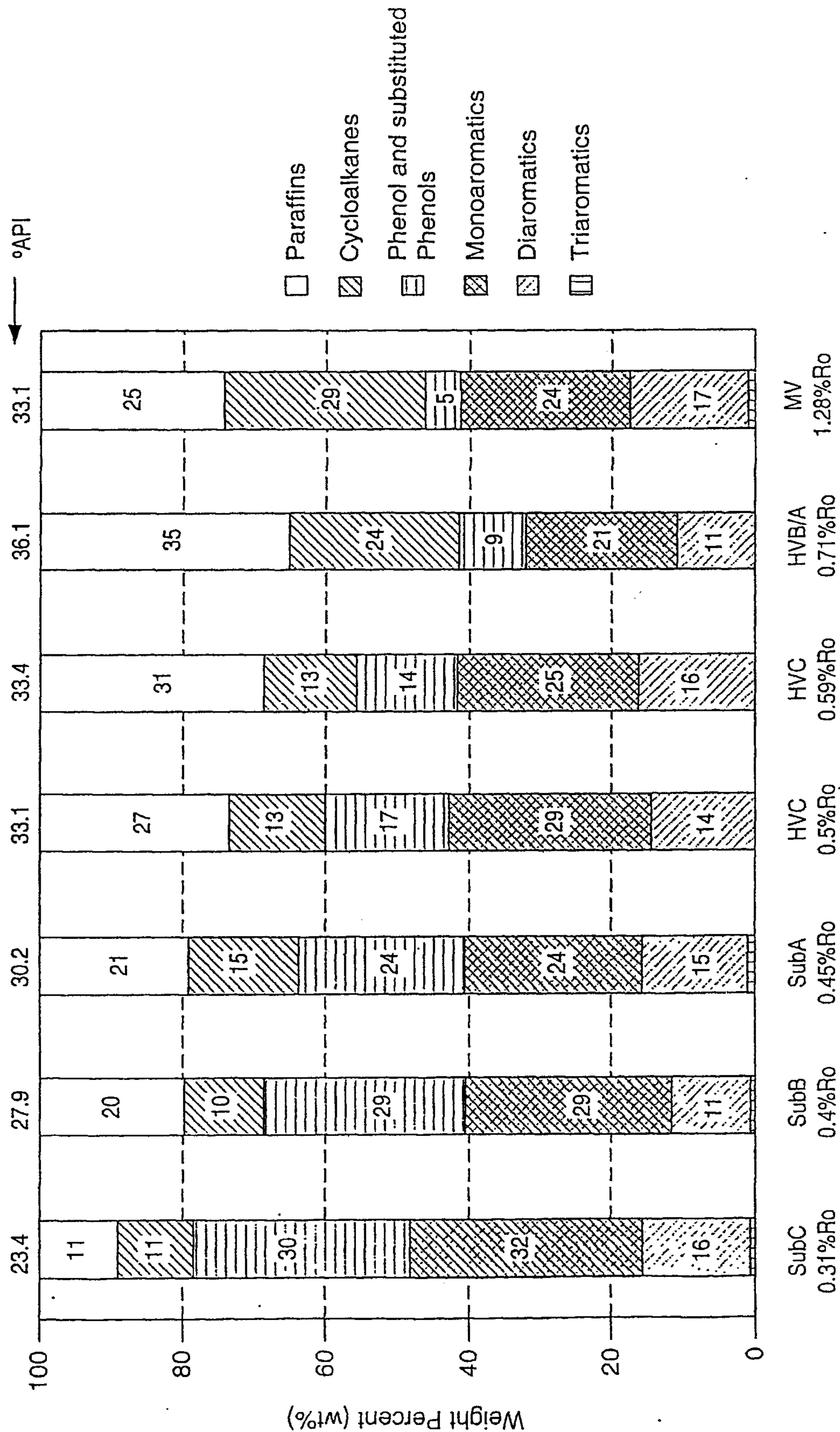
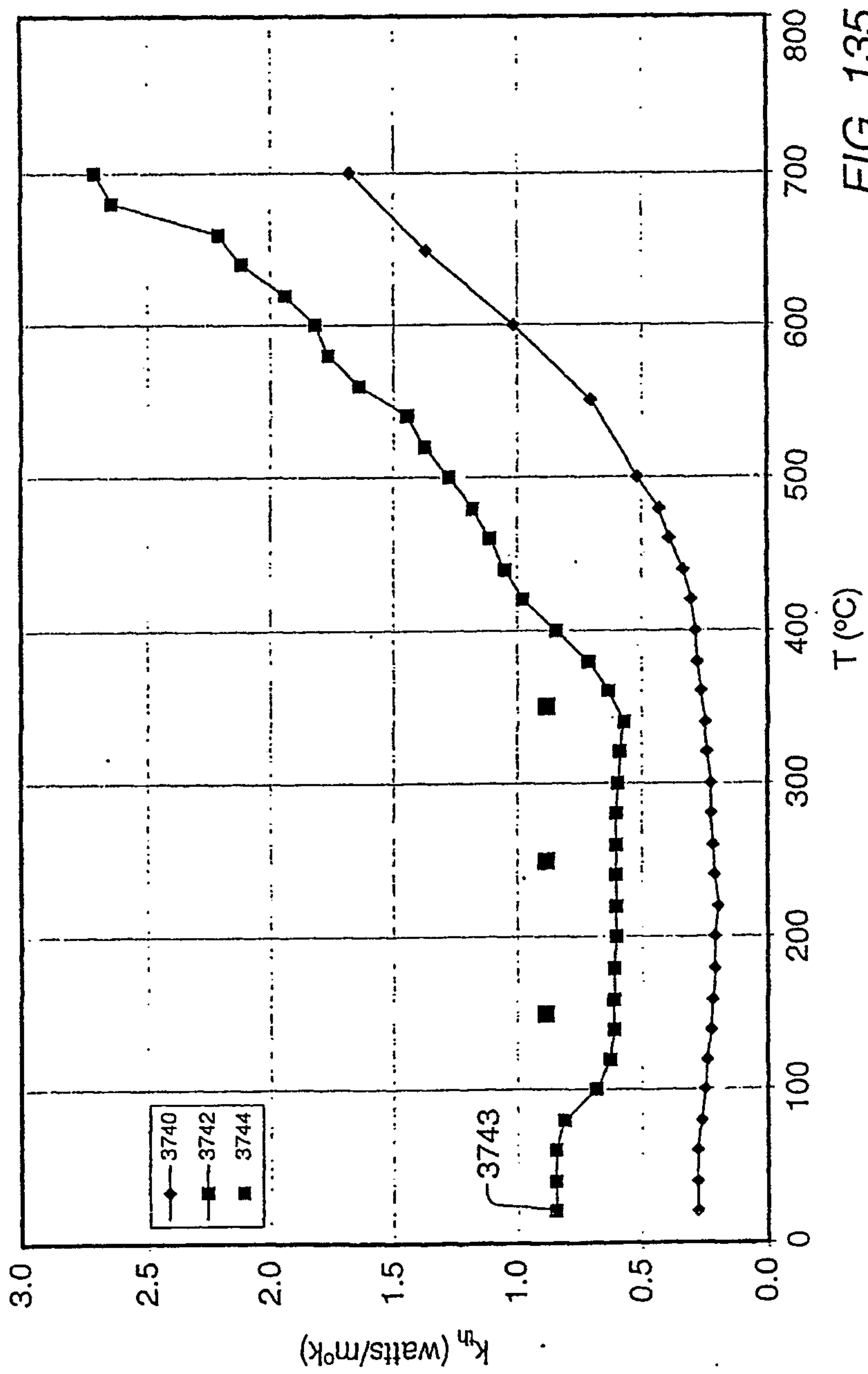


FIG. 134



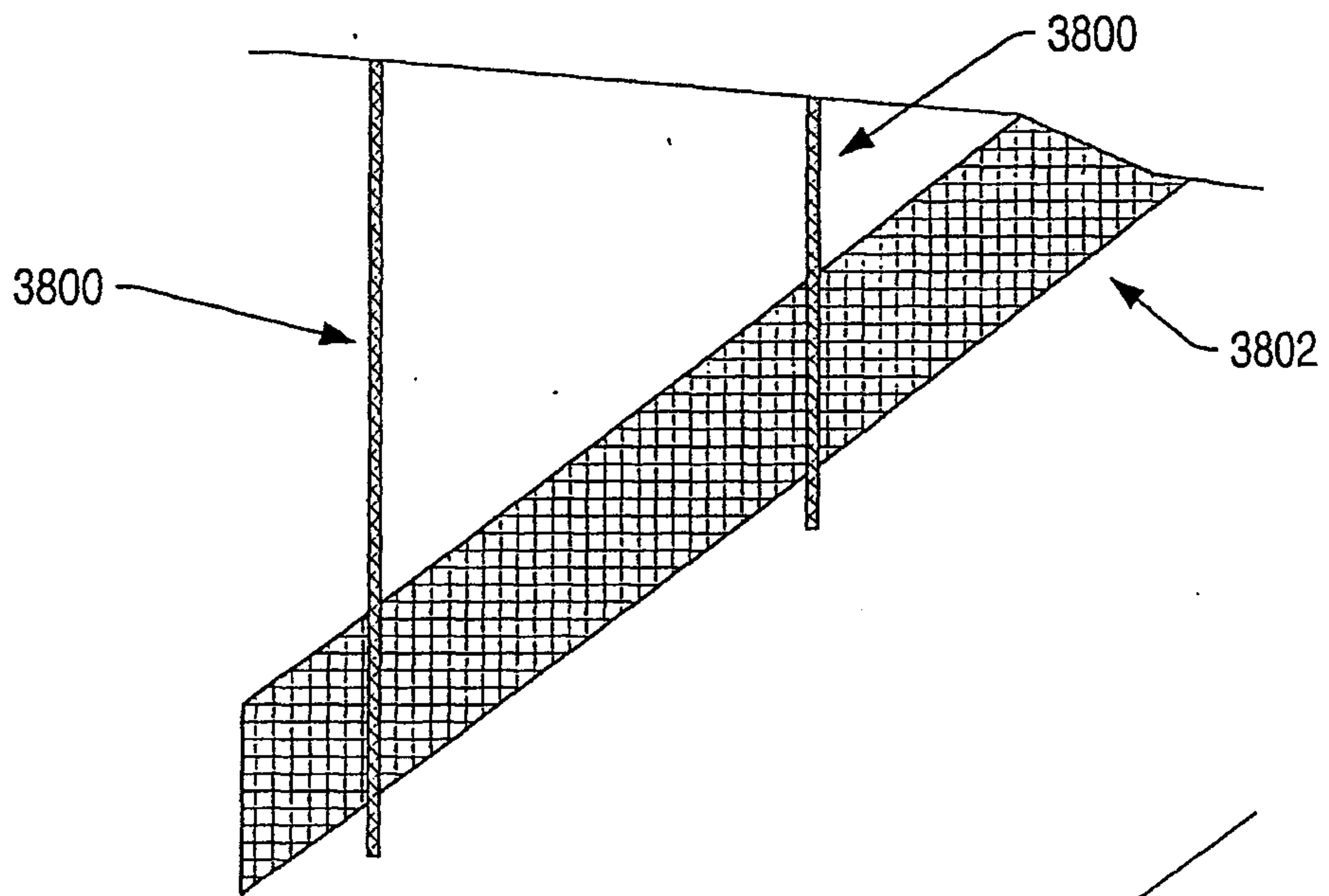


FIG. 136

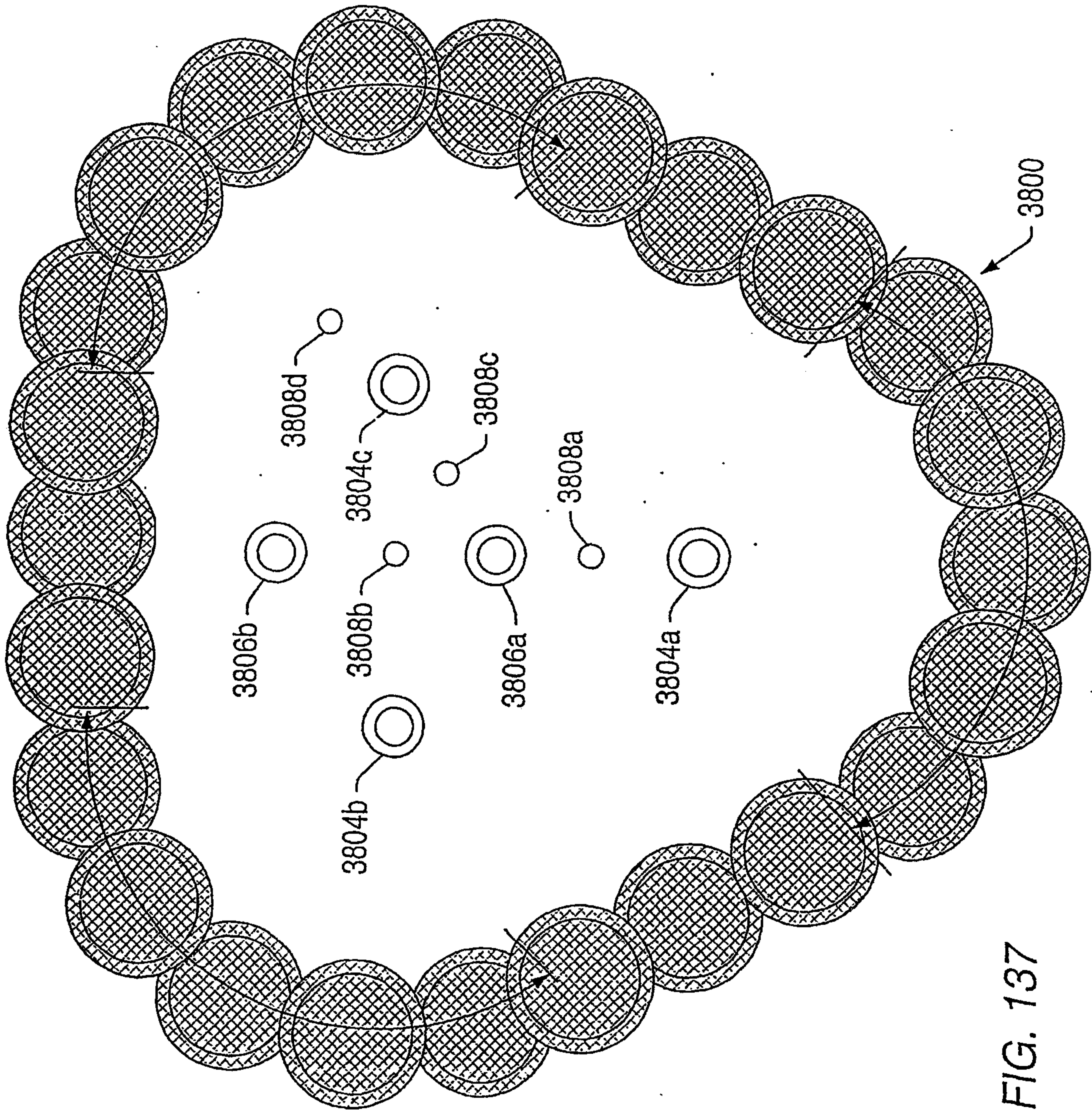


FIG. 137

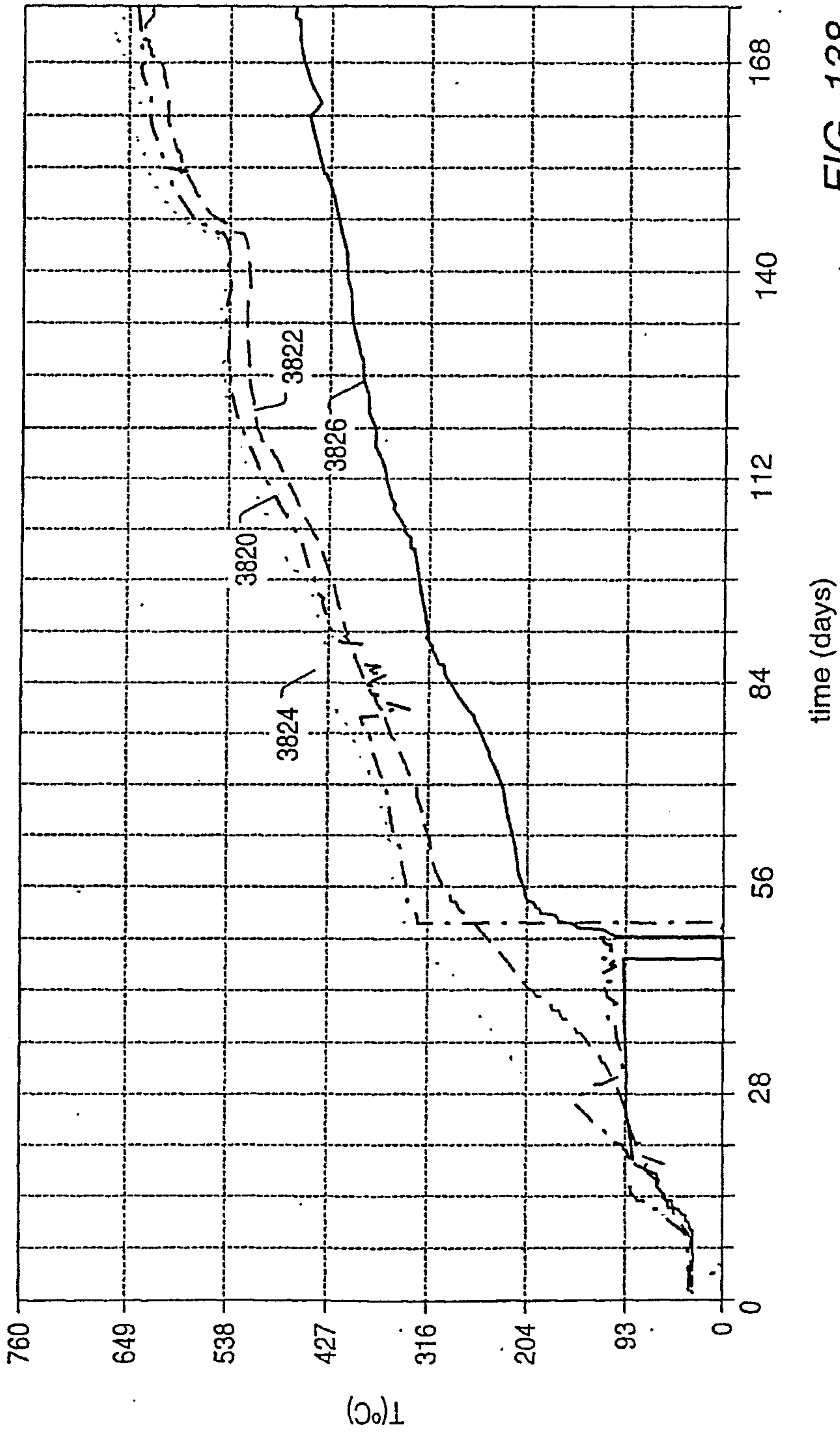


FIG. 138

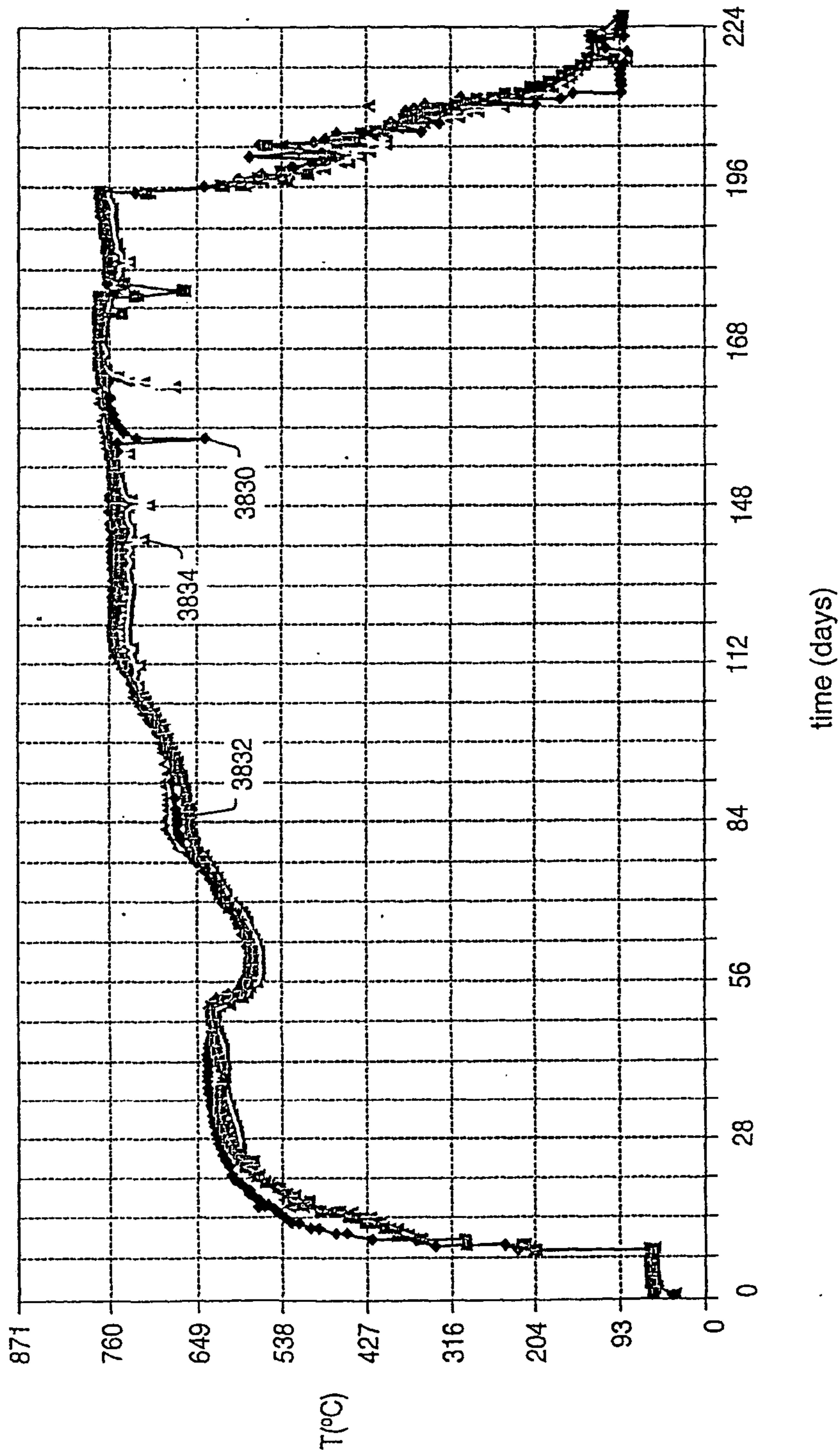


FIG. 139

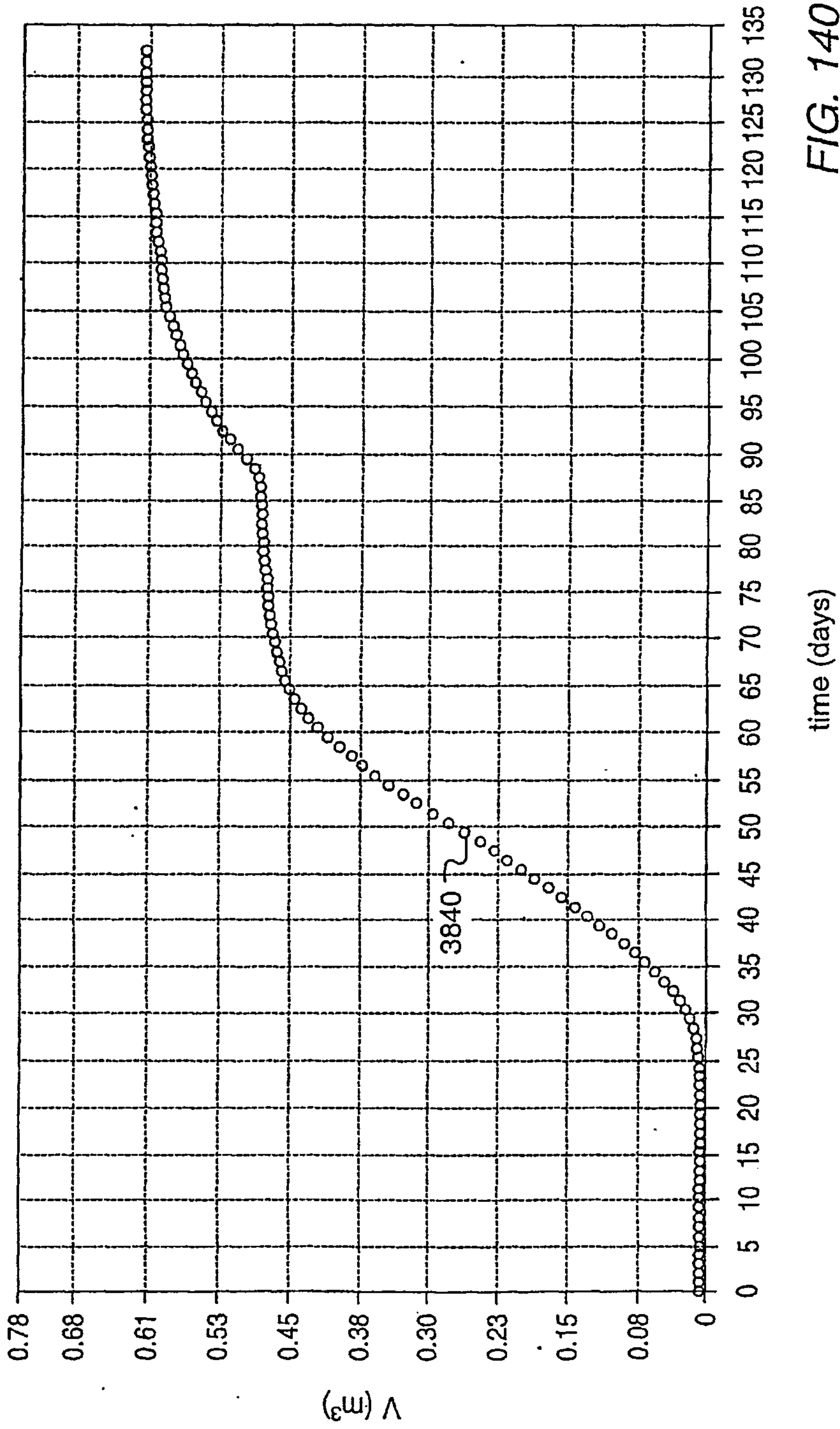


FIG. 140

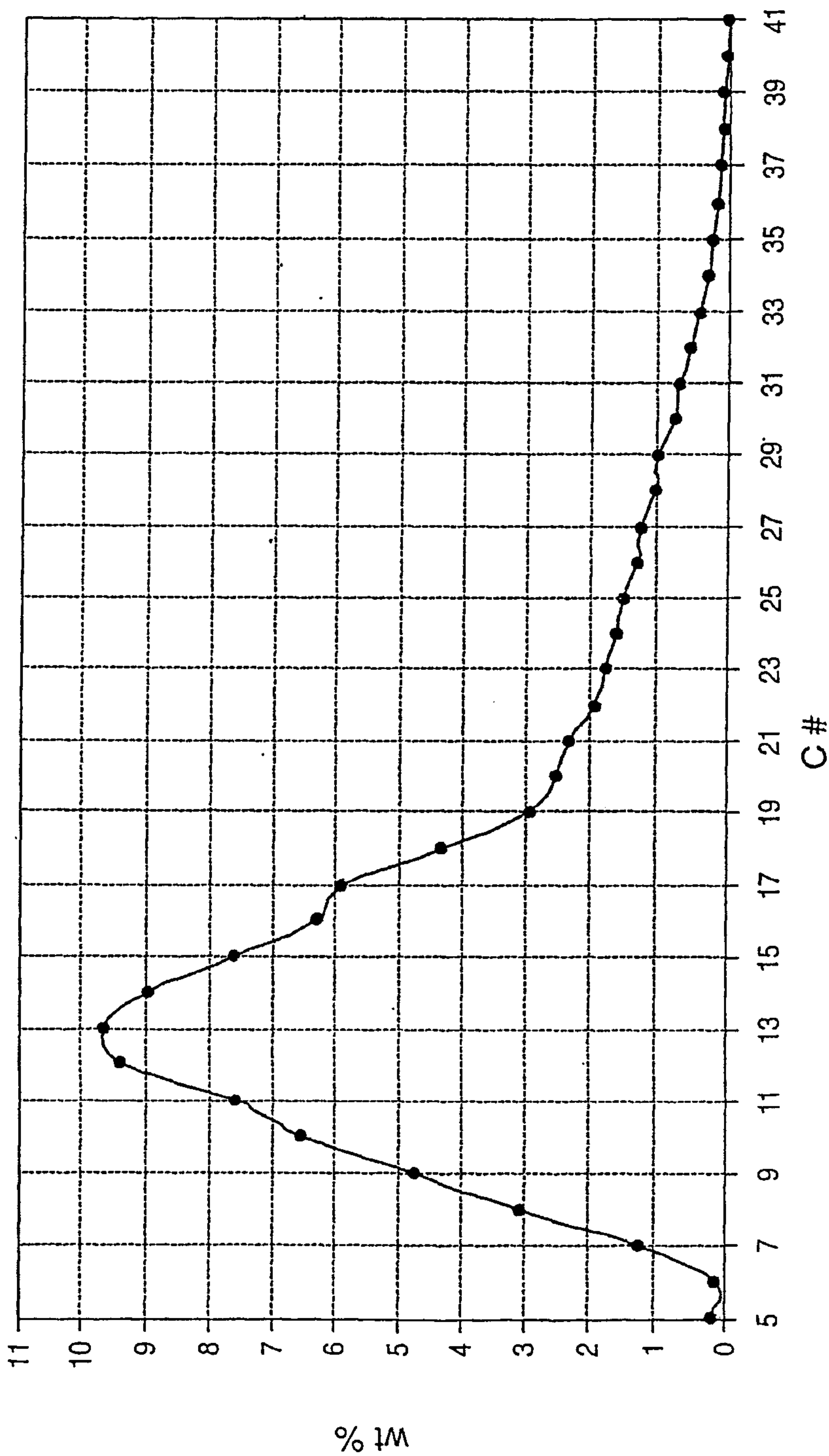


FIG. 141

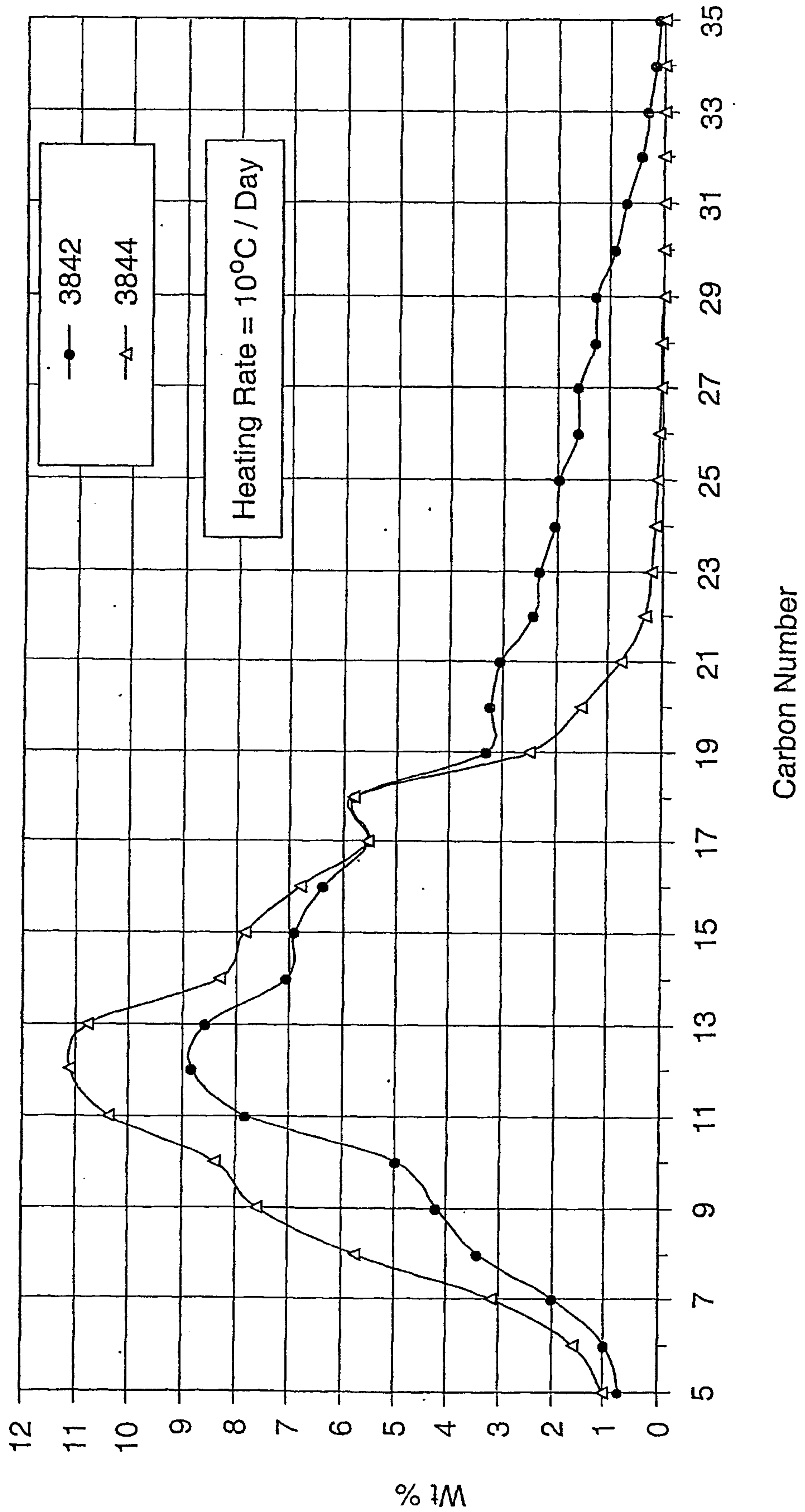


FIG. 142

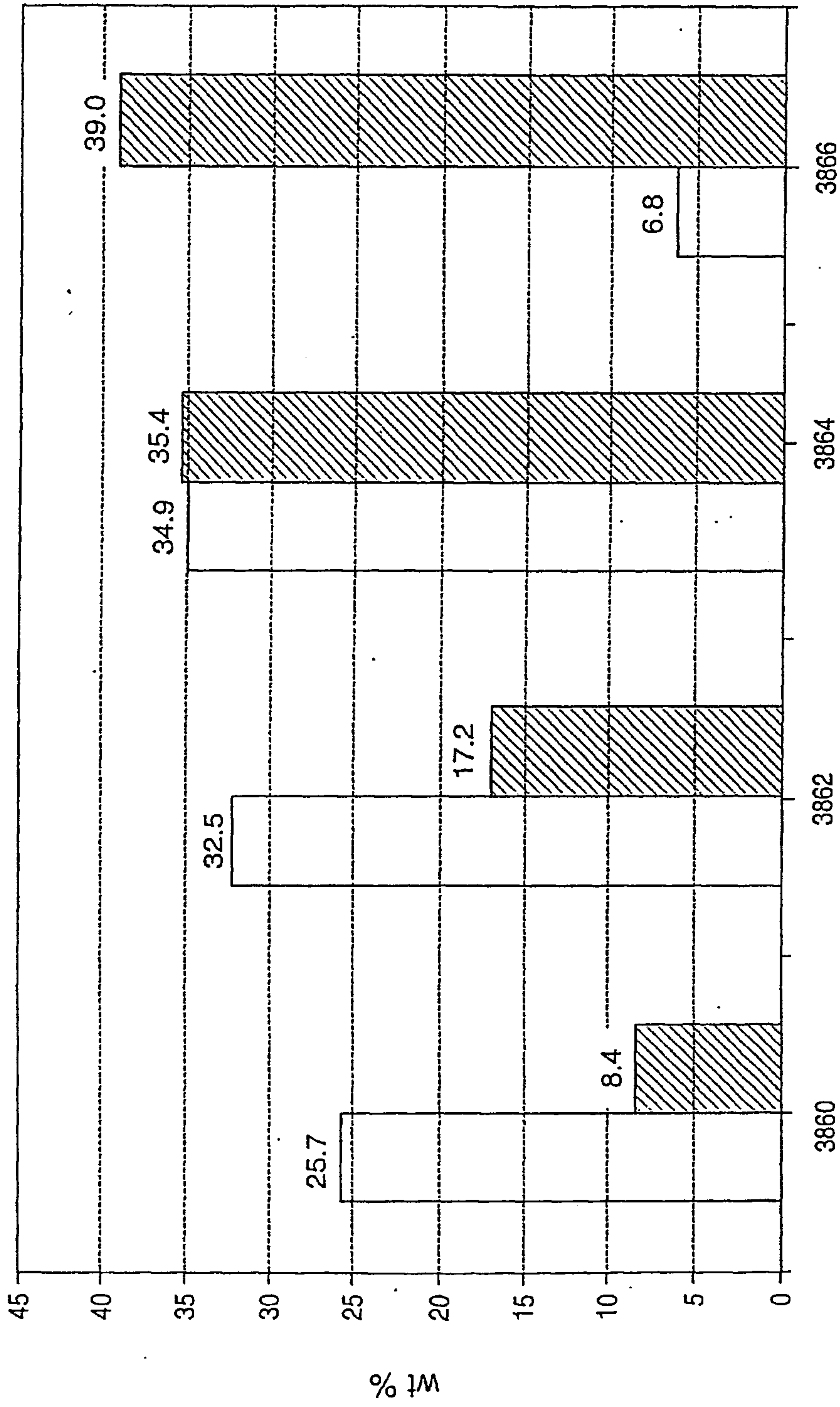


FIG. 143

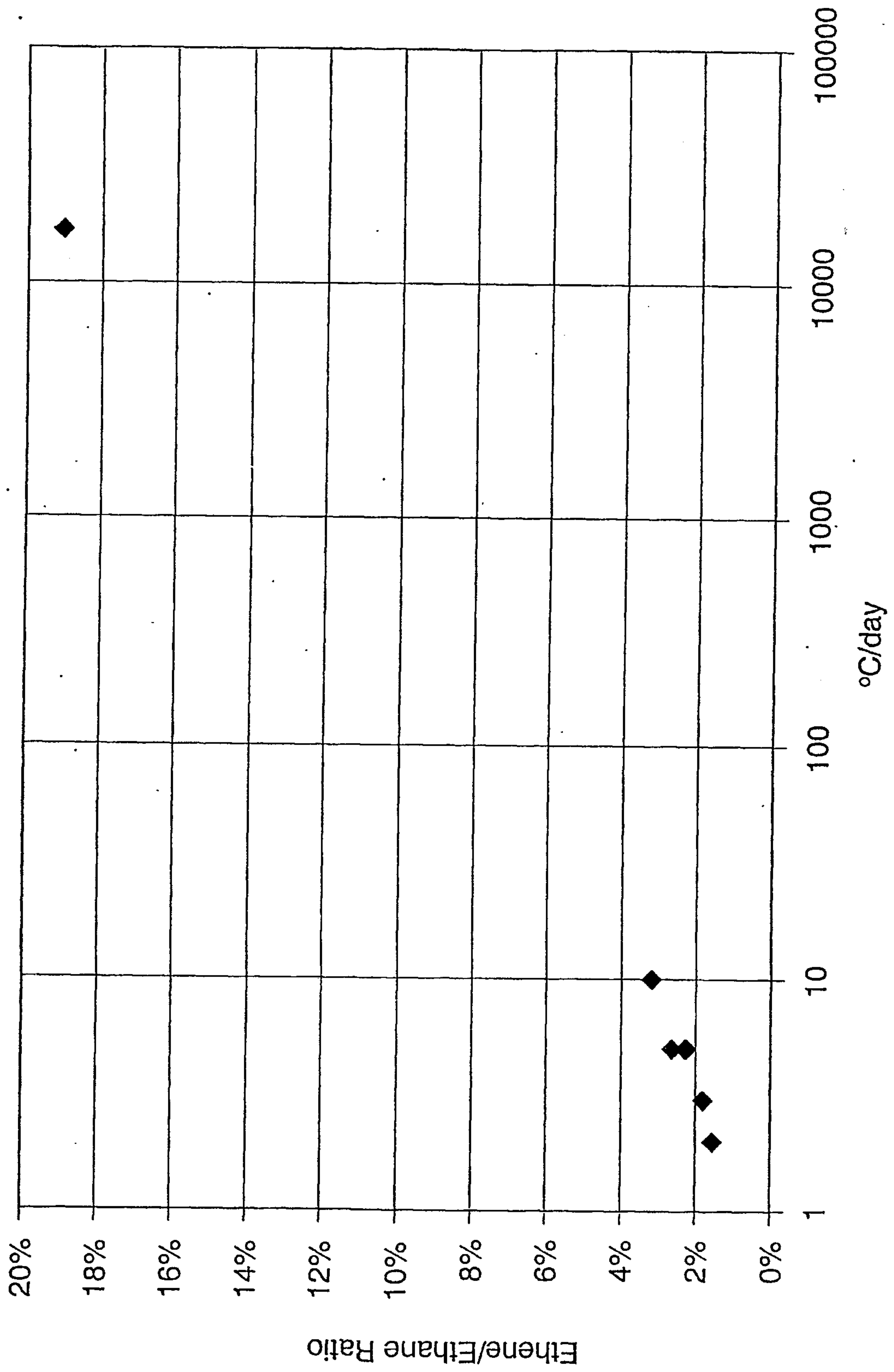


FIG. 144

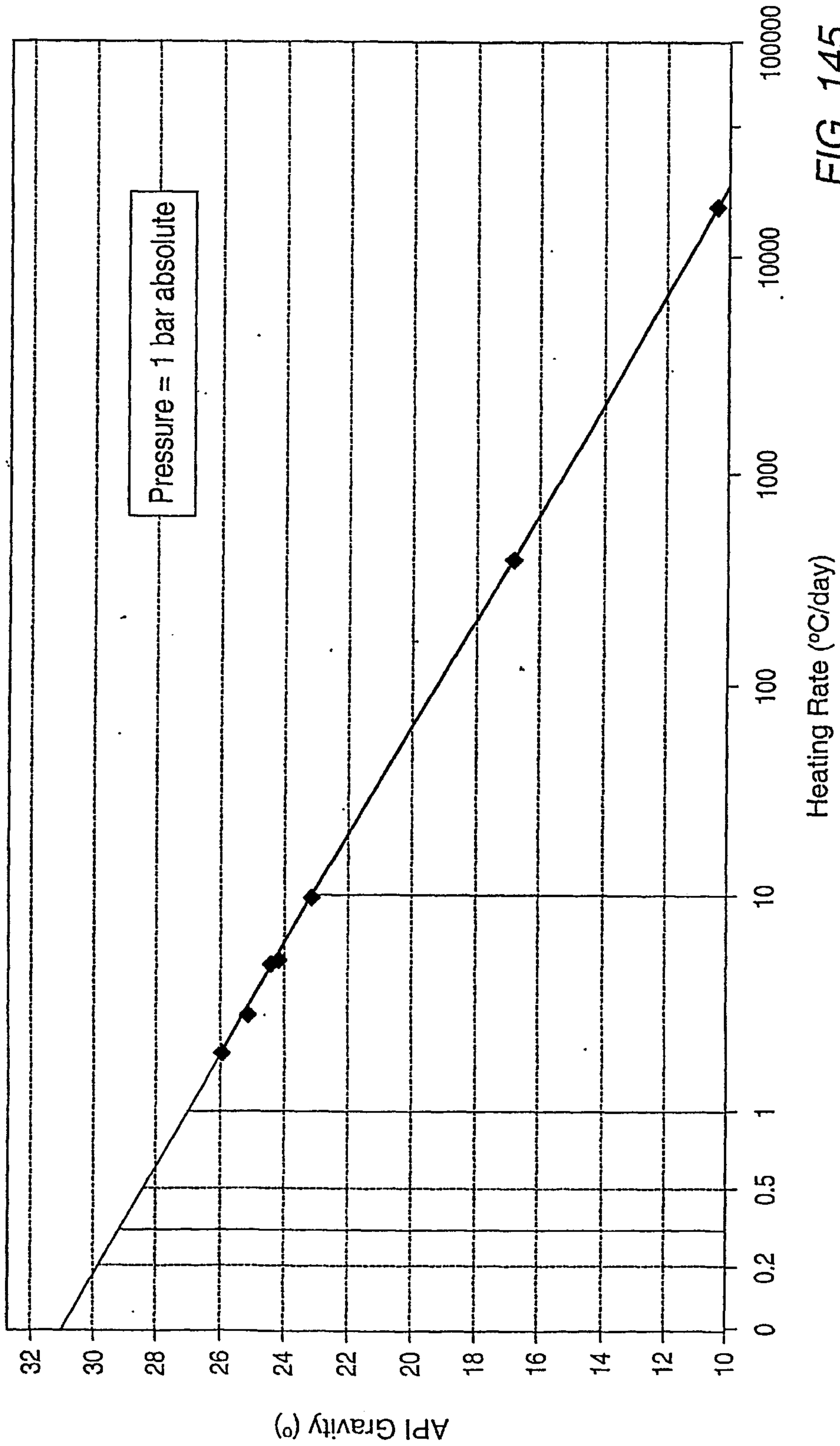


FIG. 145

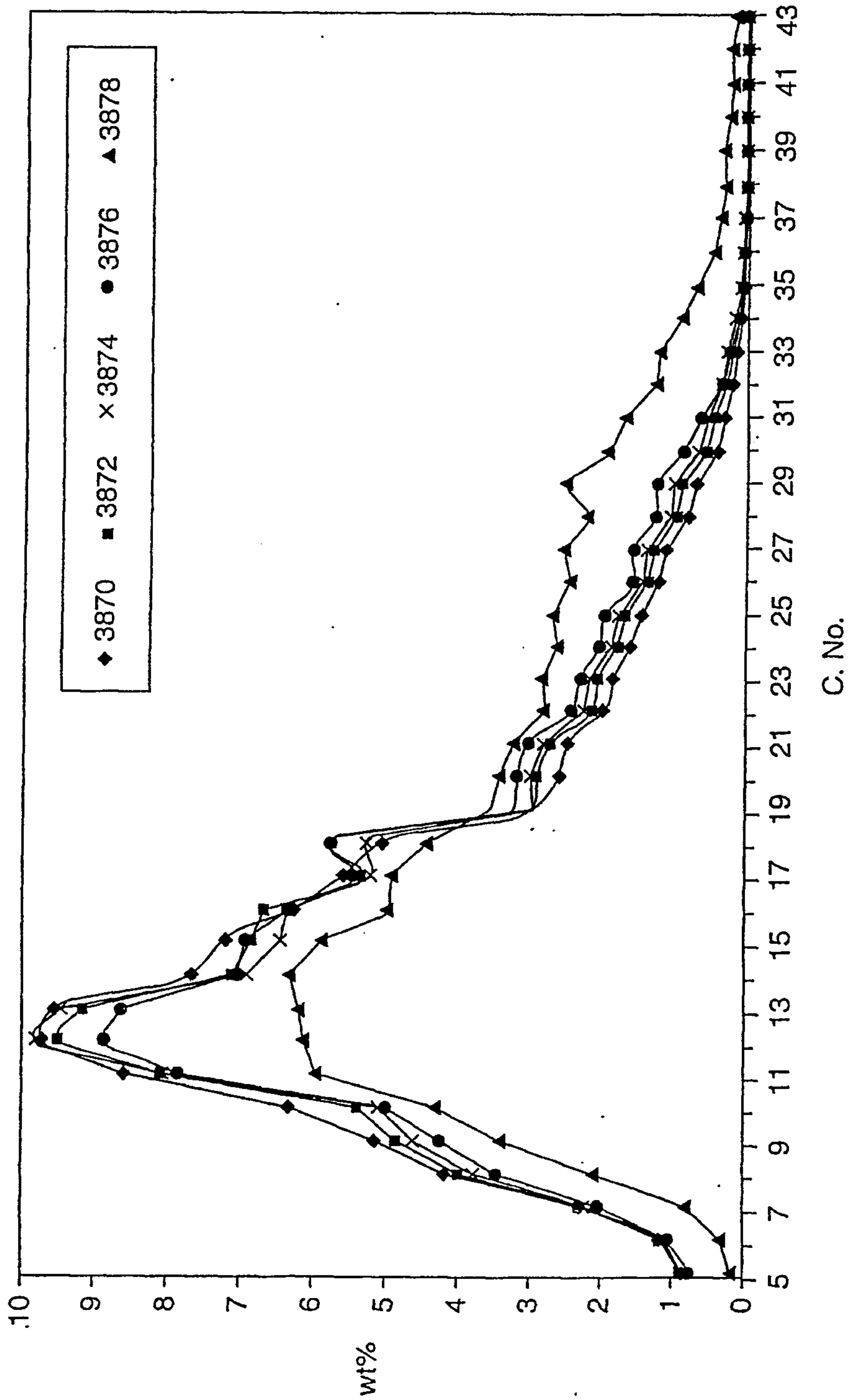


FIG. 146

C. No.

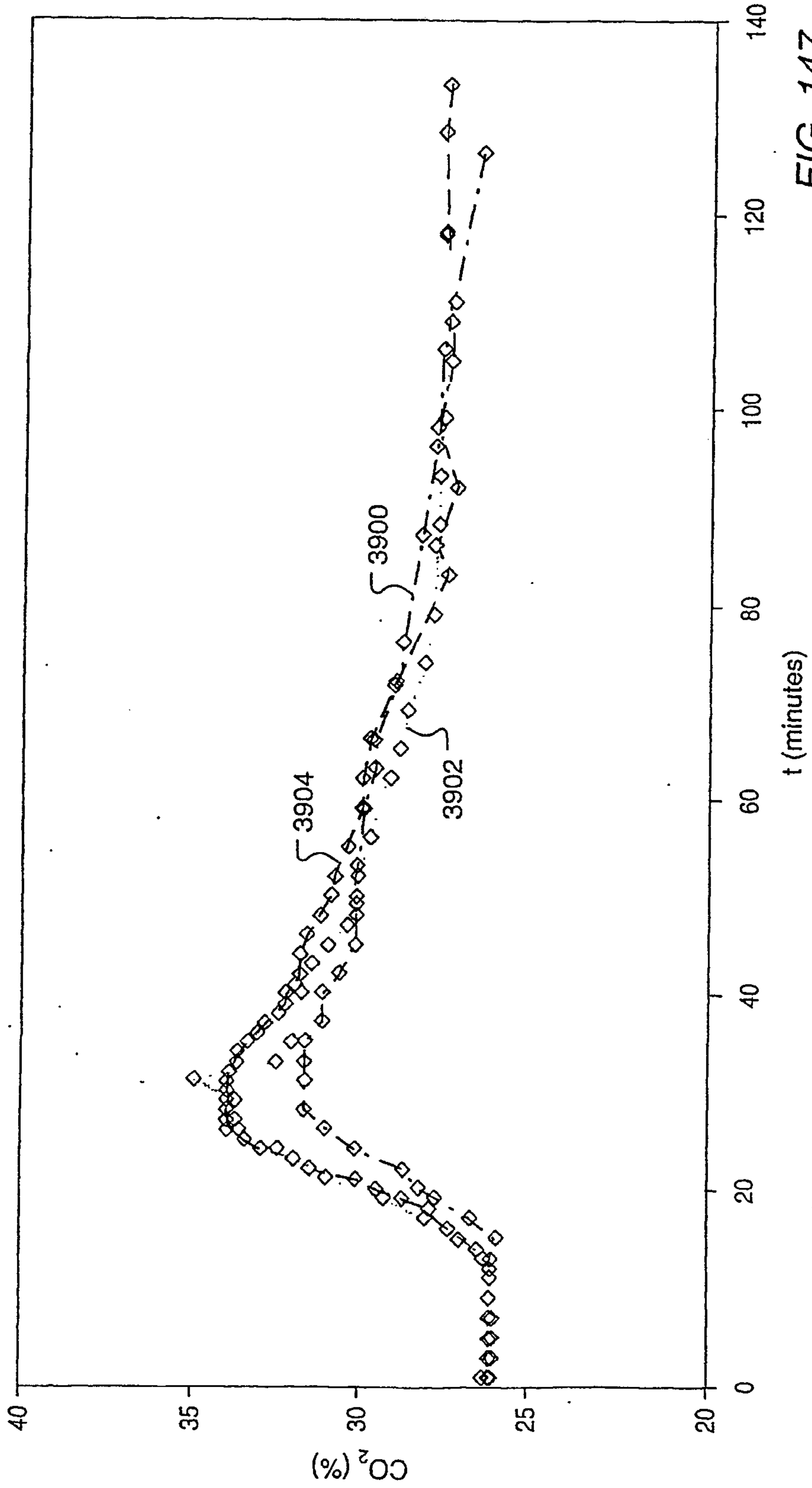


FIG. 147

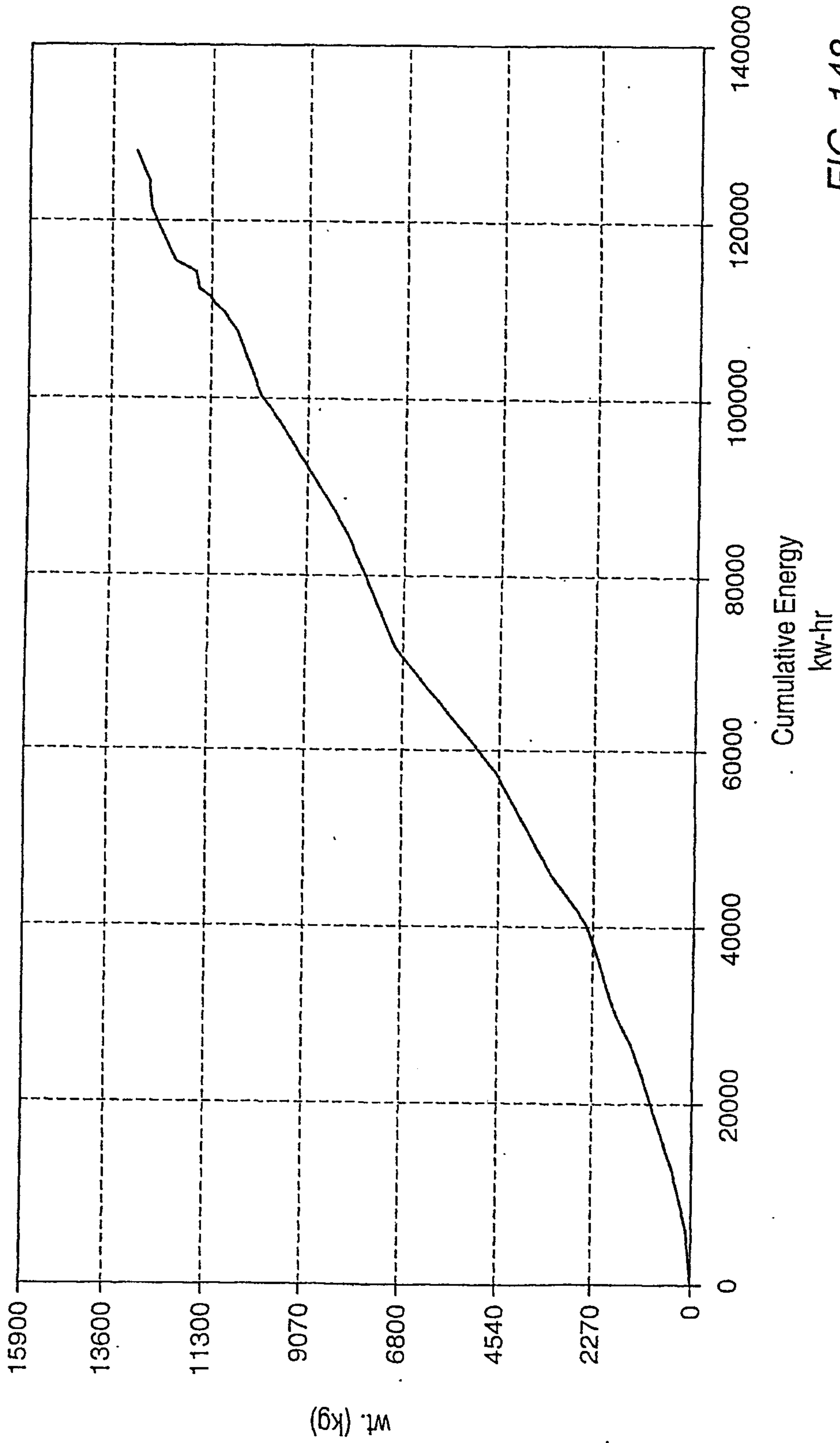


FIG. 148

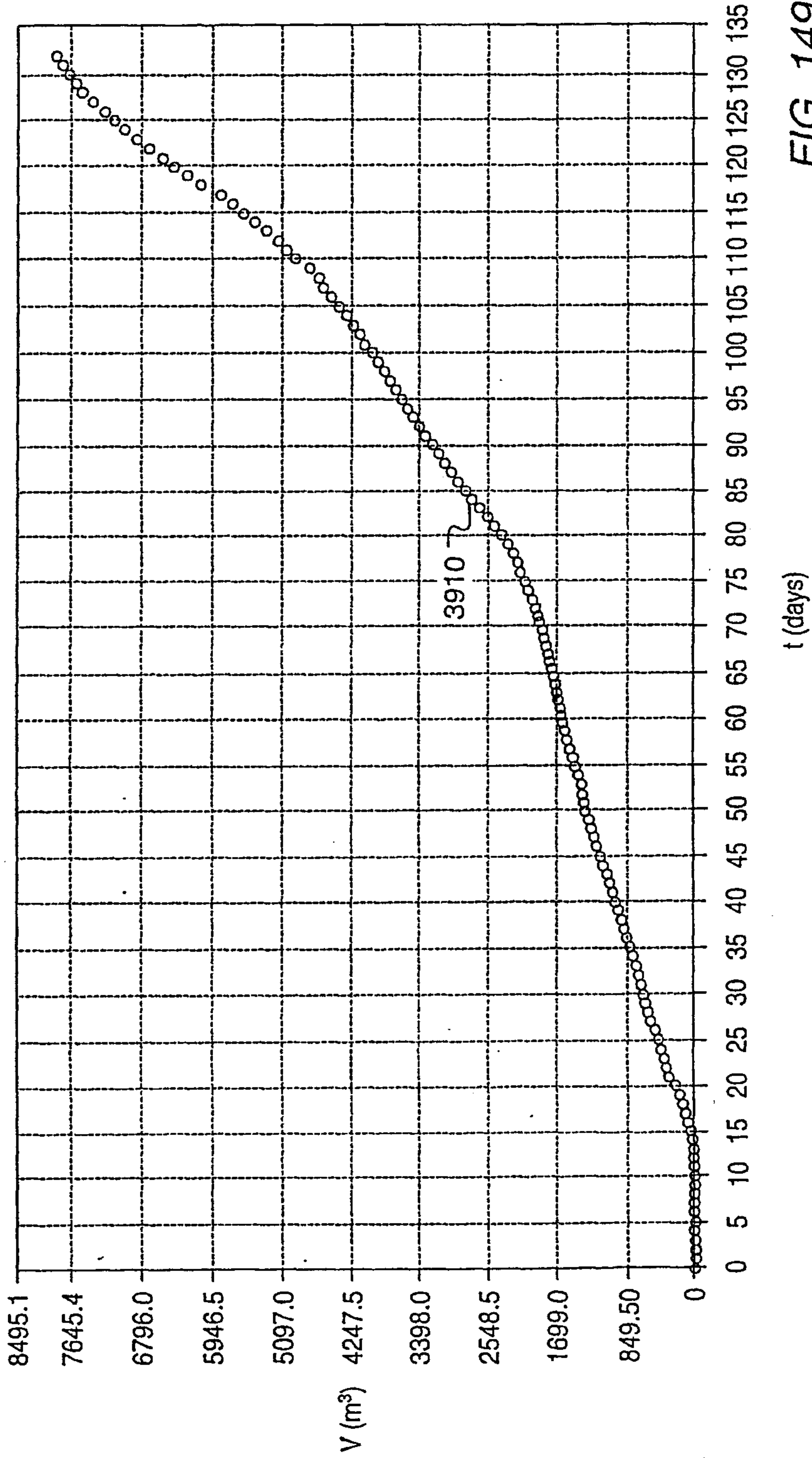


FIG. 149

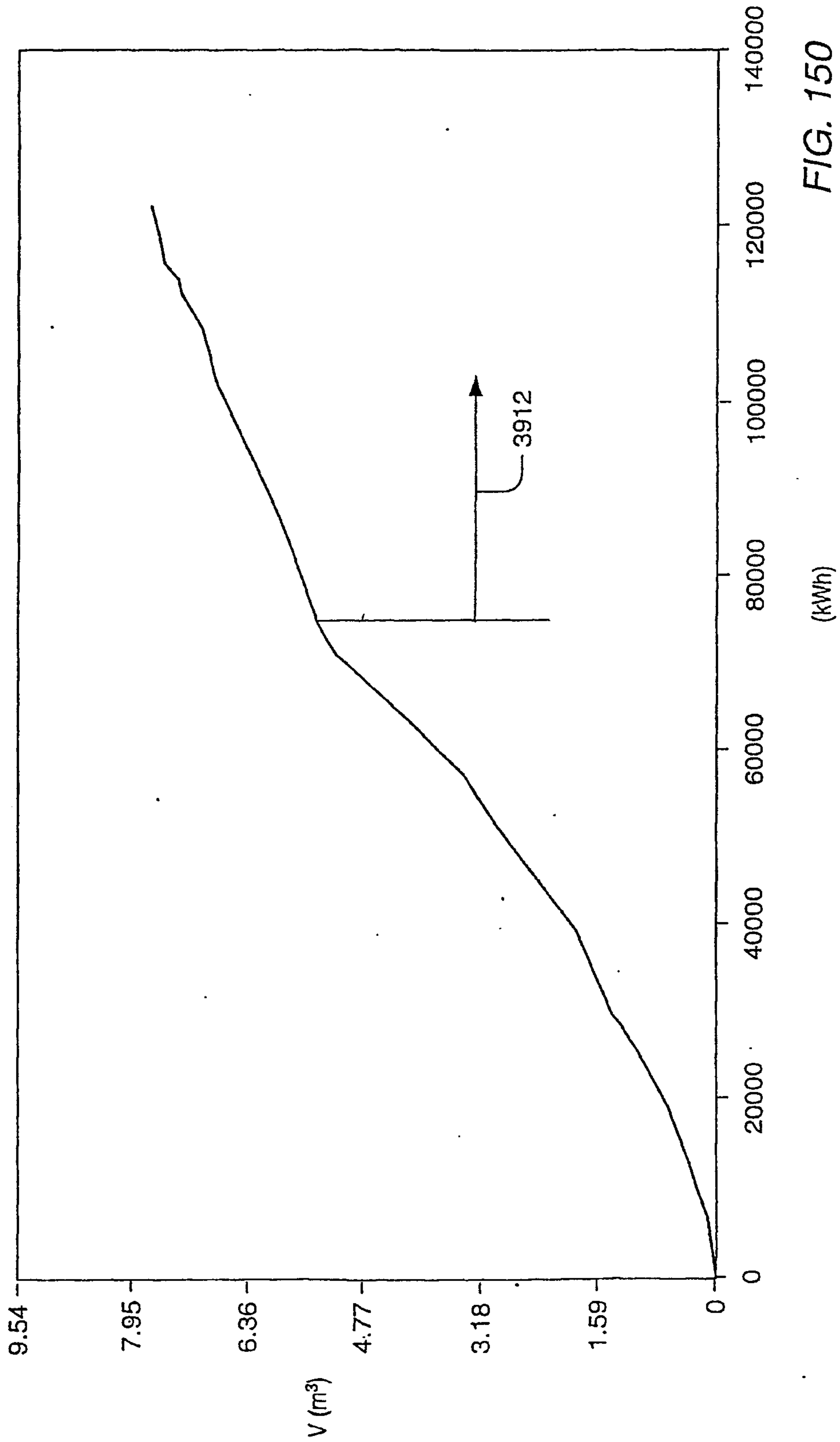


FIG. 150

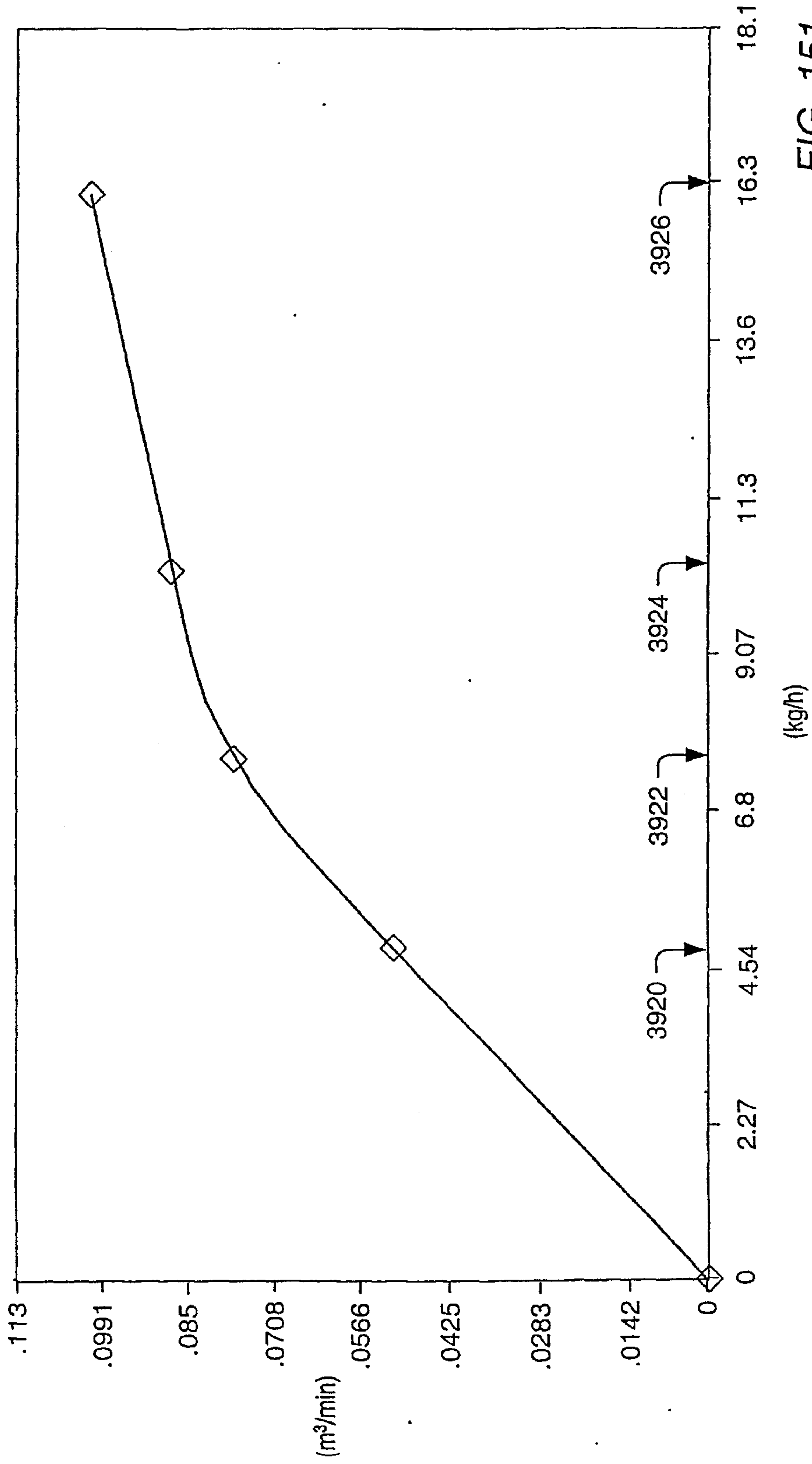


FIG. 151

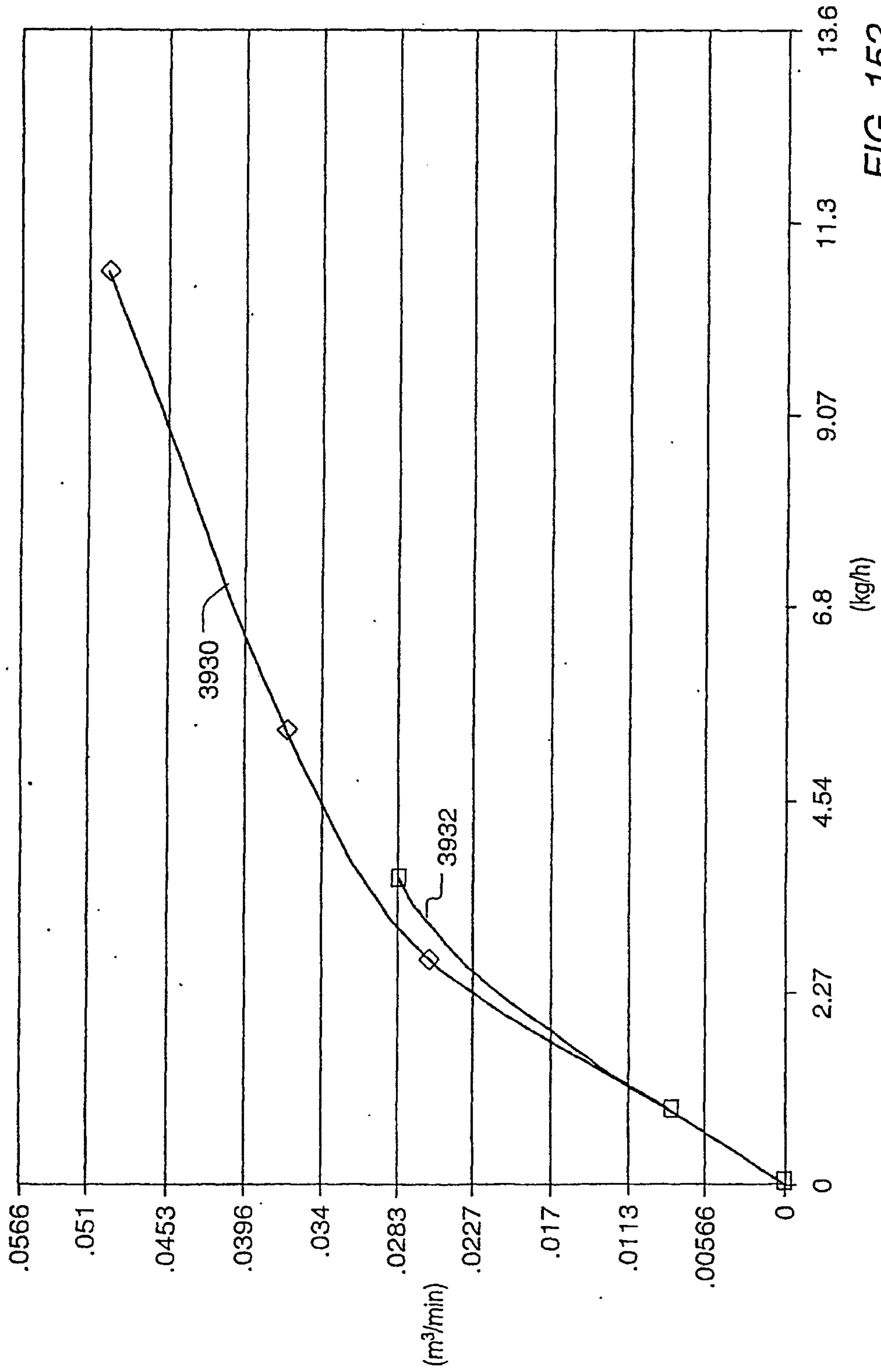
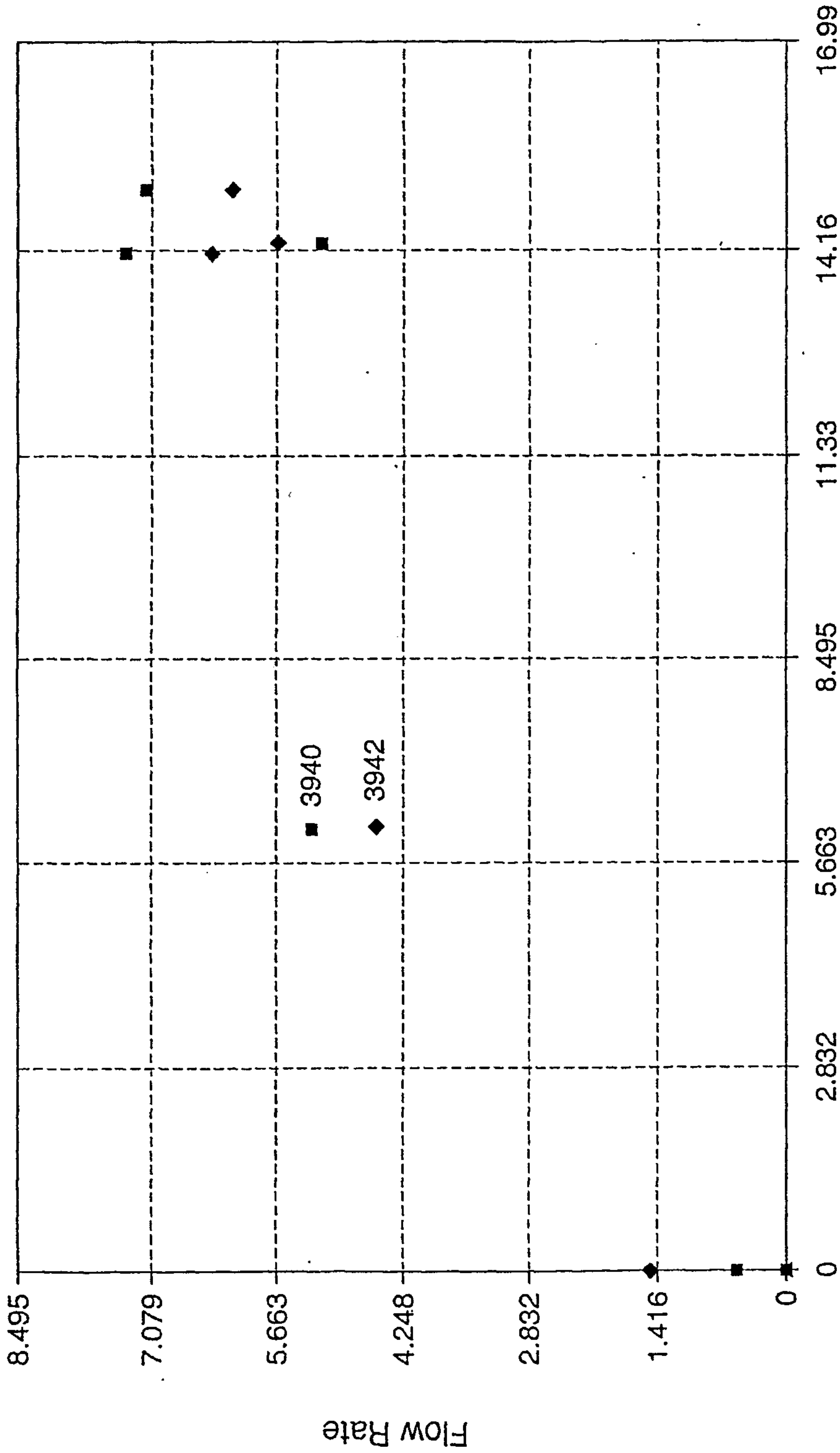


FIG. 152



Methane Injection Rate (m³/hr)

FIG. 153

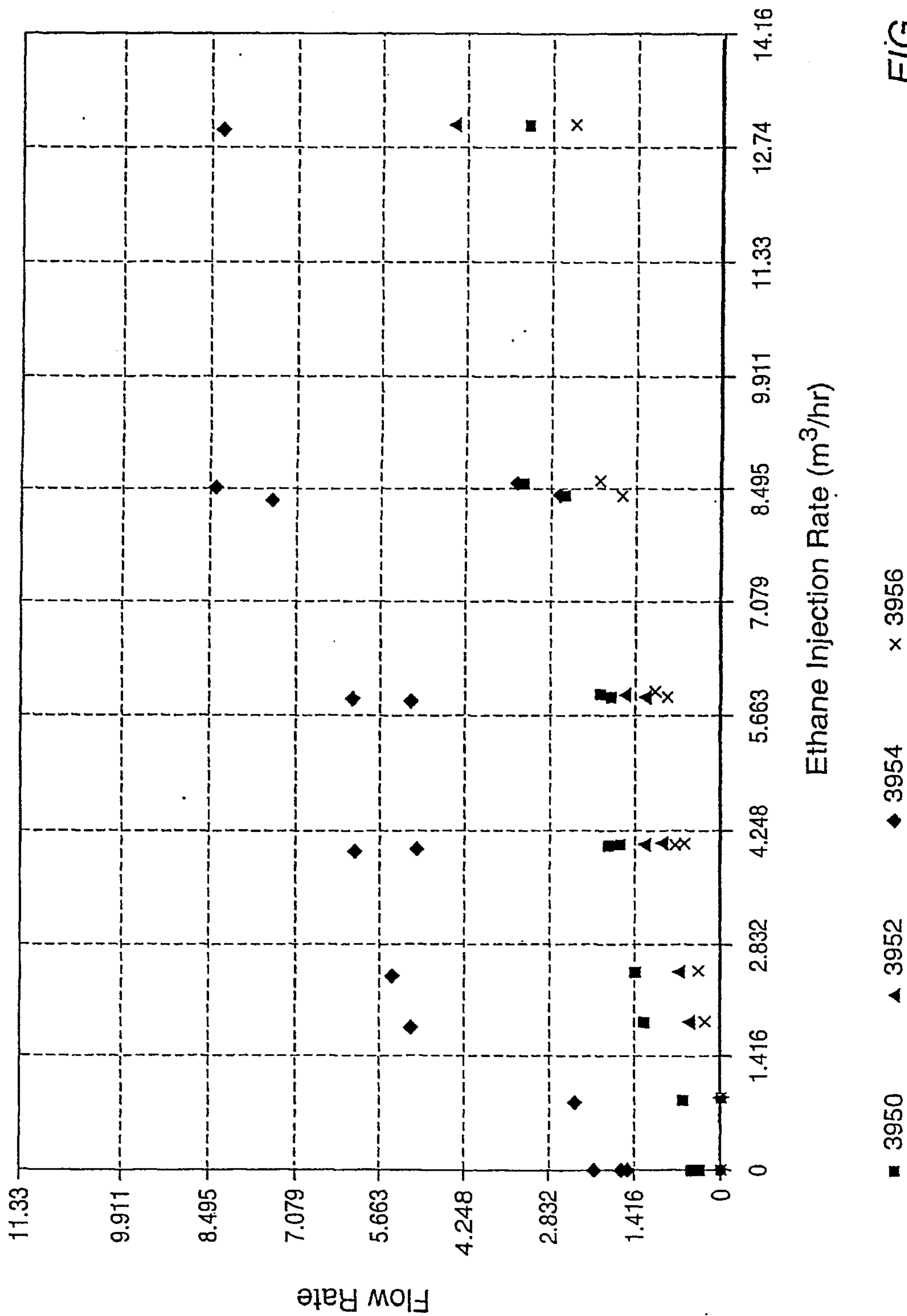


FIG. 154

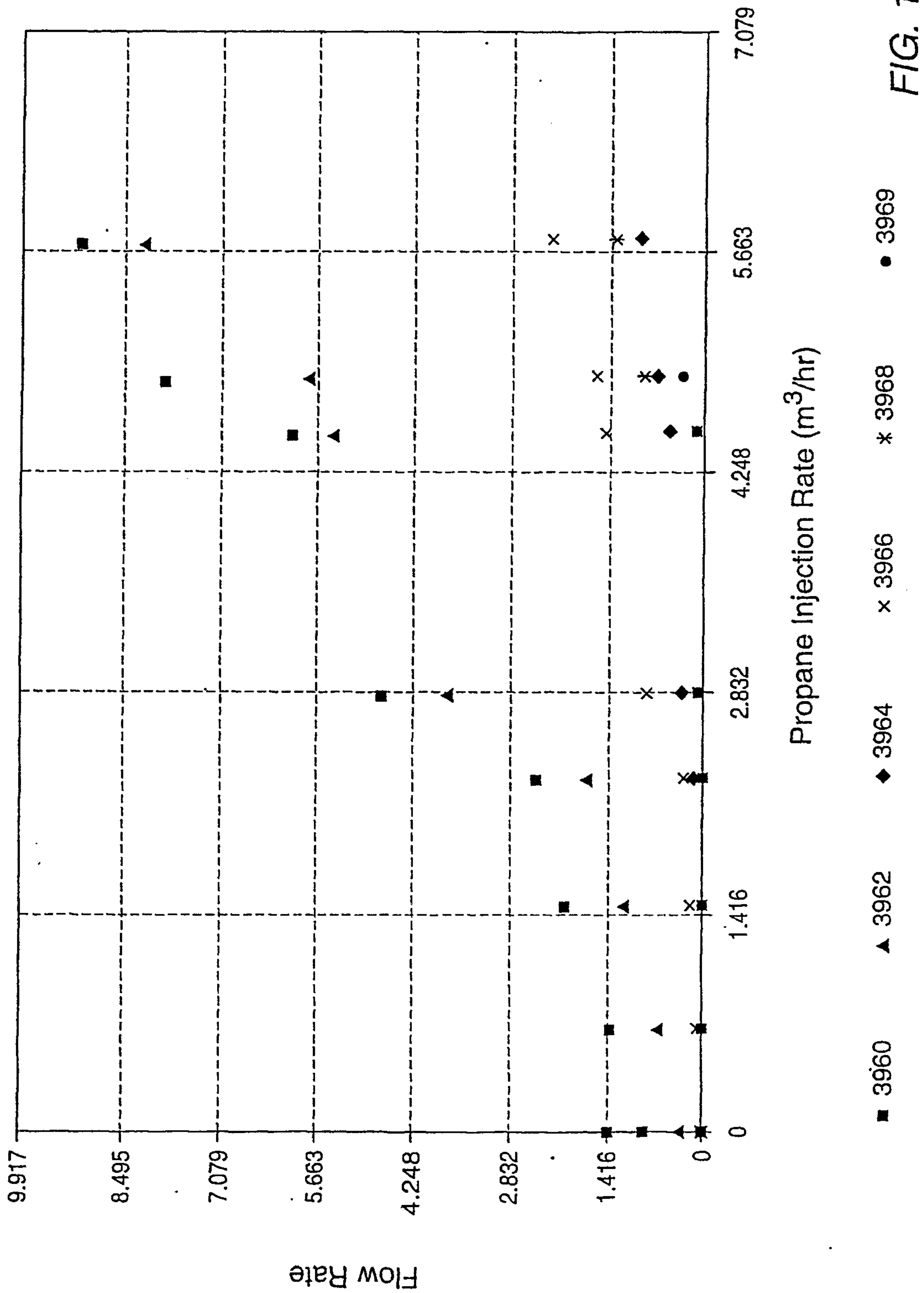
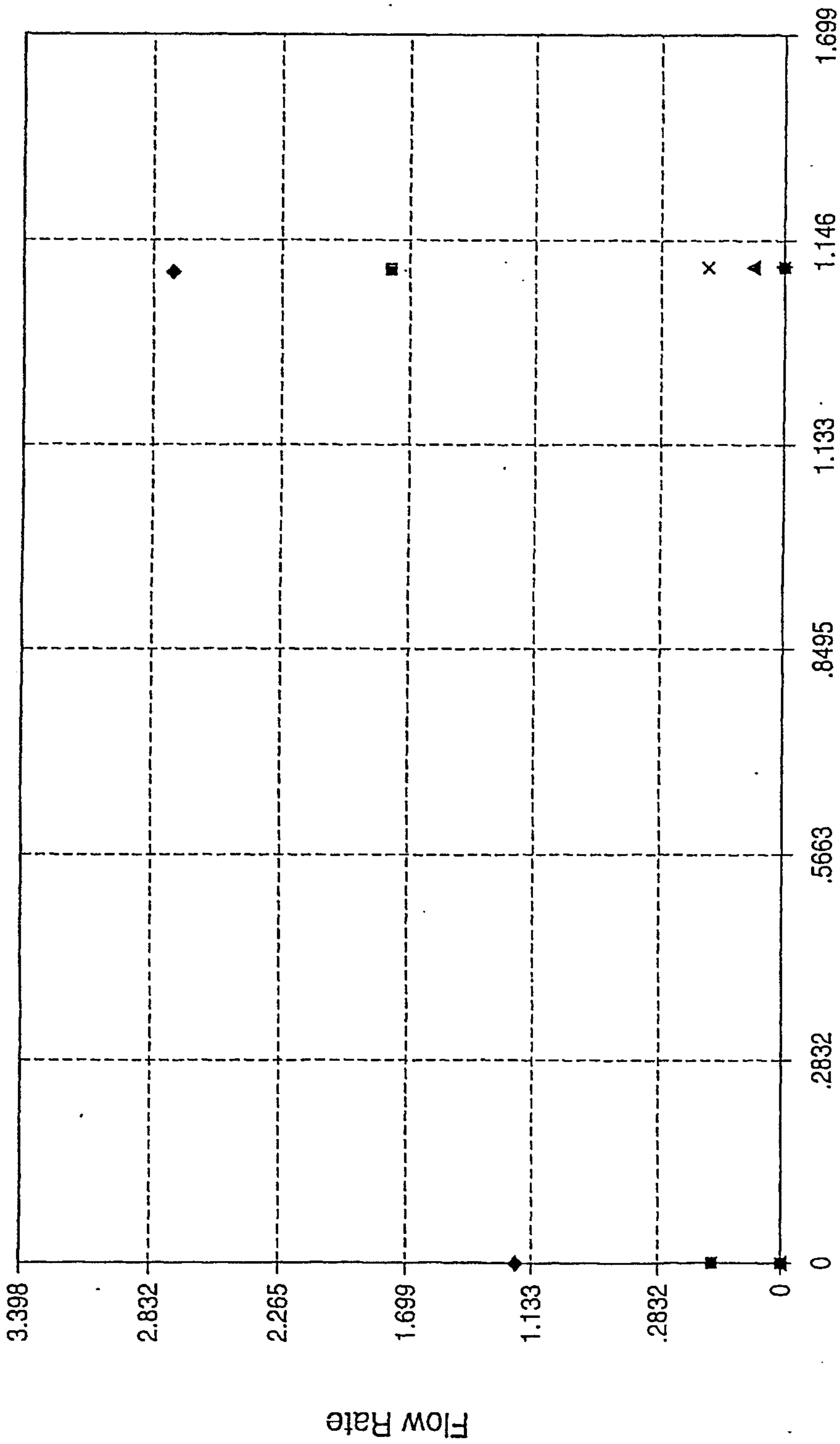


FIG. 155



Butane Injection Rate (m³/hr)

■ 3970 ▲ 3972 ◆ 3974 × 3976 * 3978 ● 3979

FIG. 156

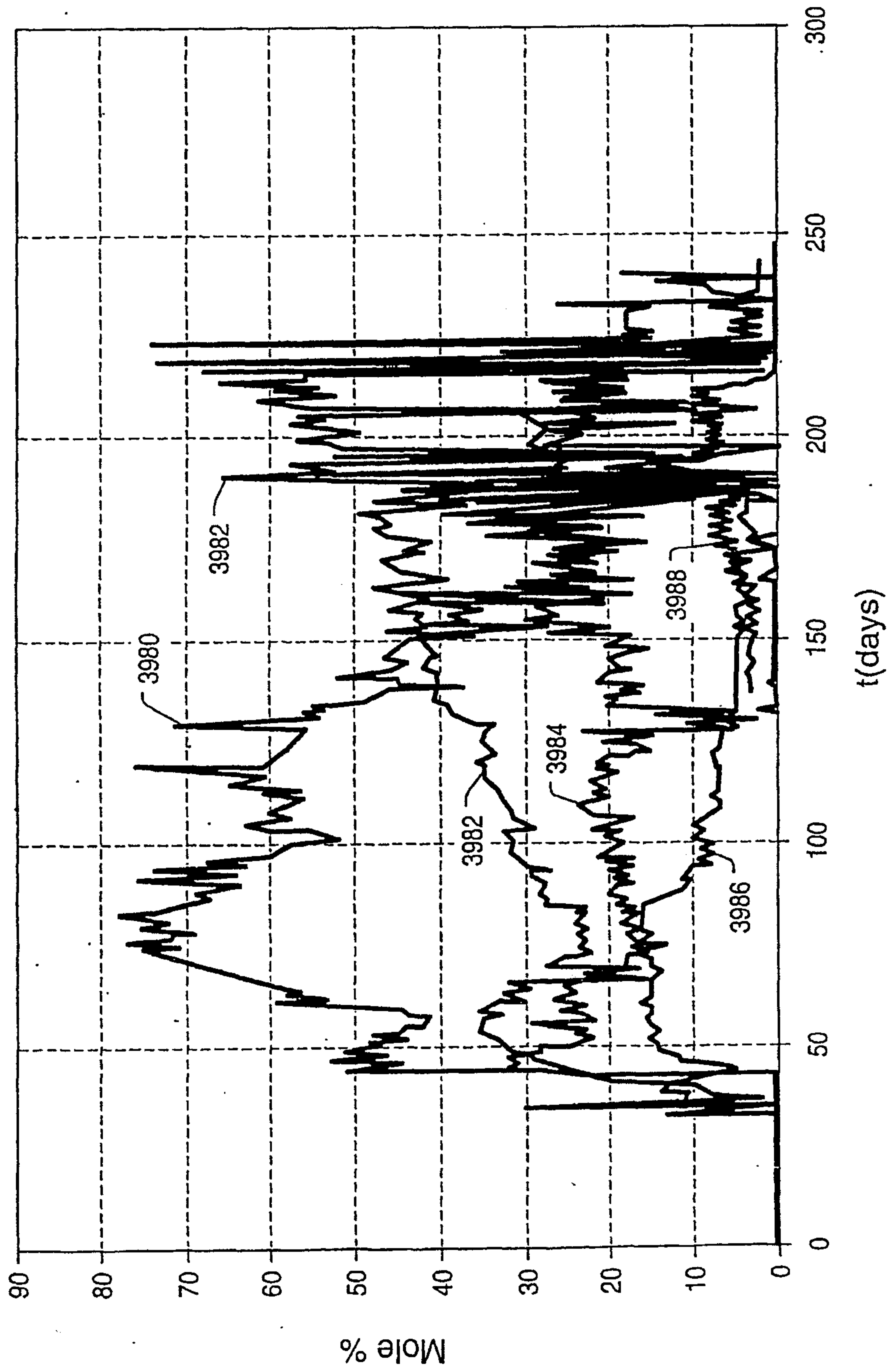


FIG. 157

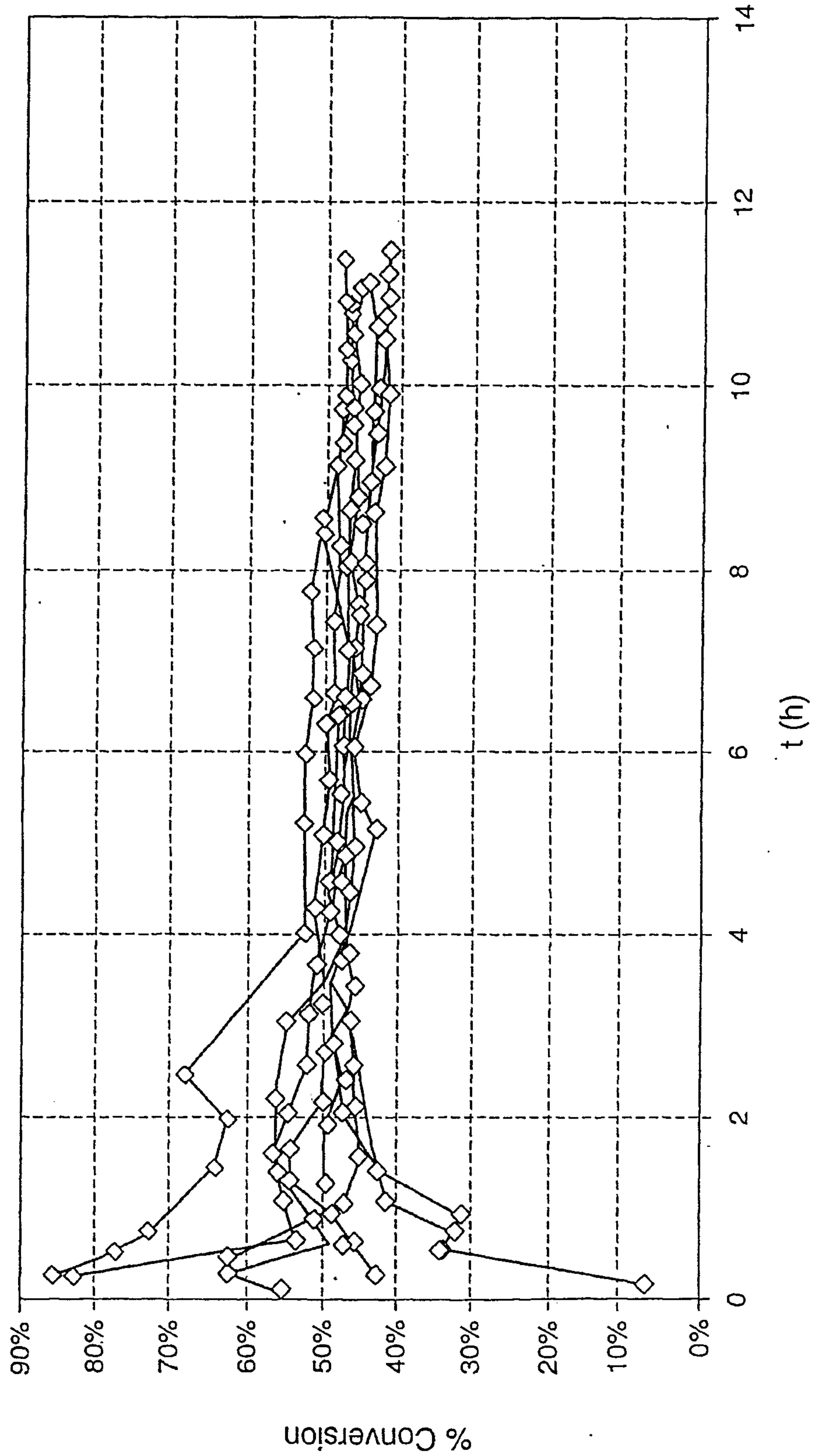


FIG. 158

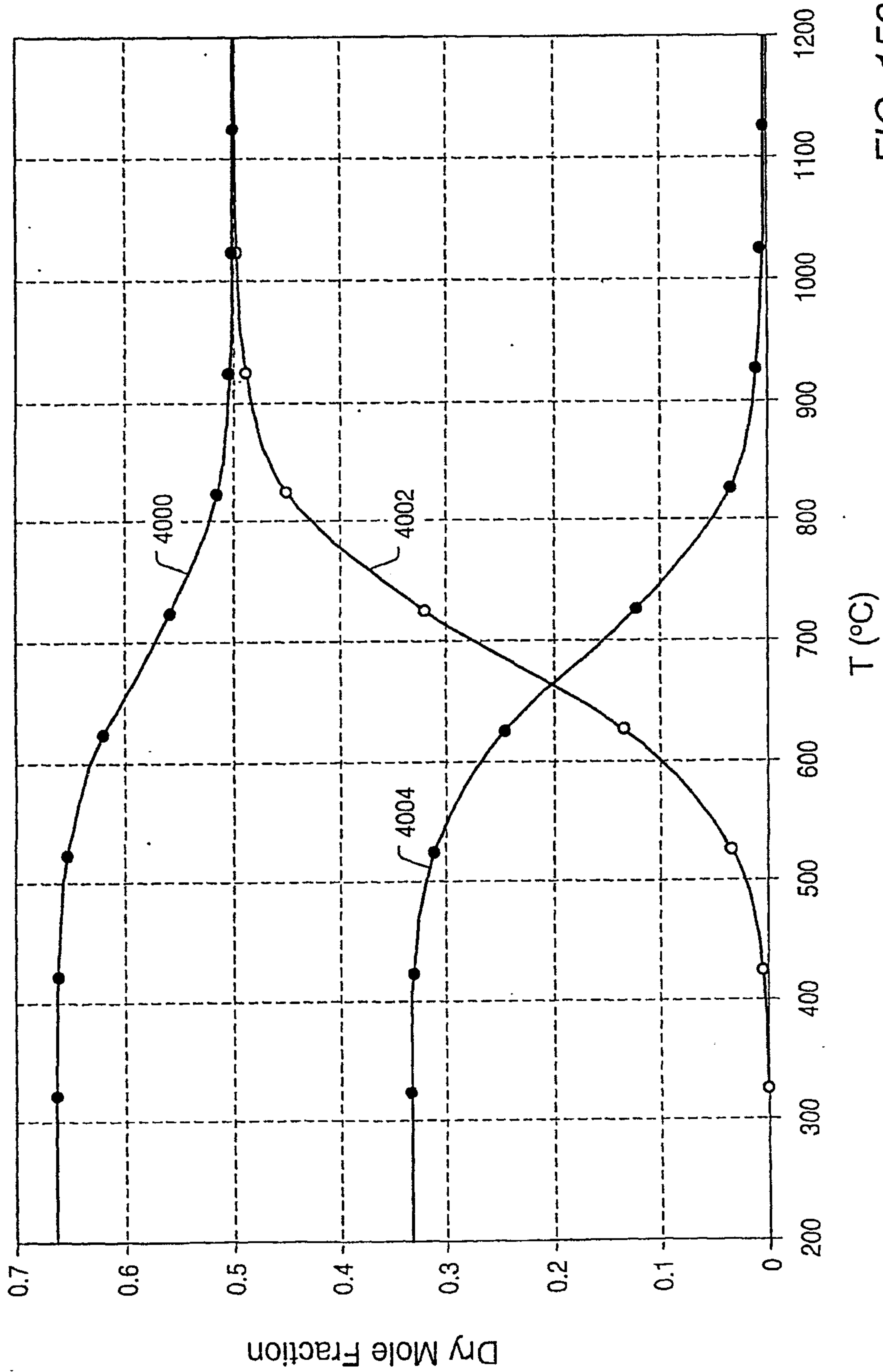


FIG. 159

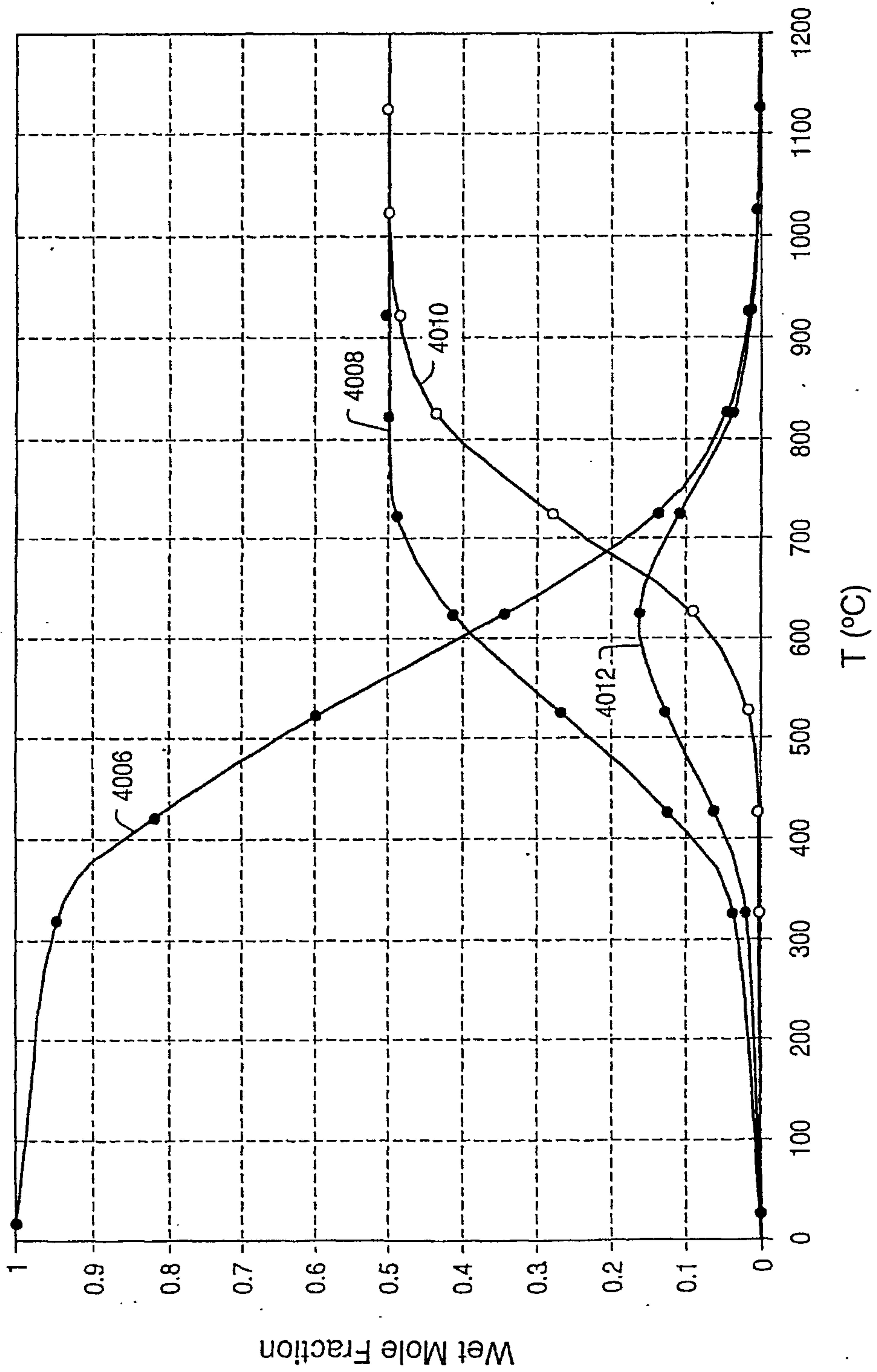
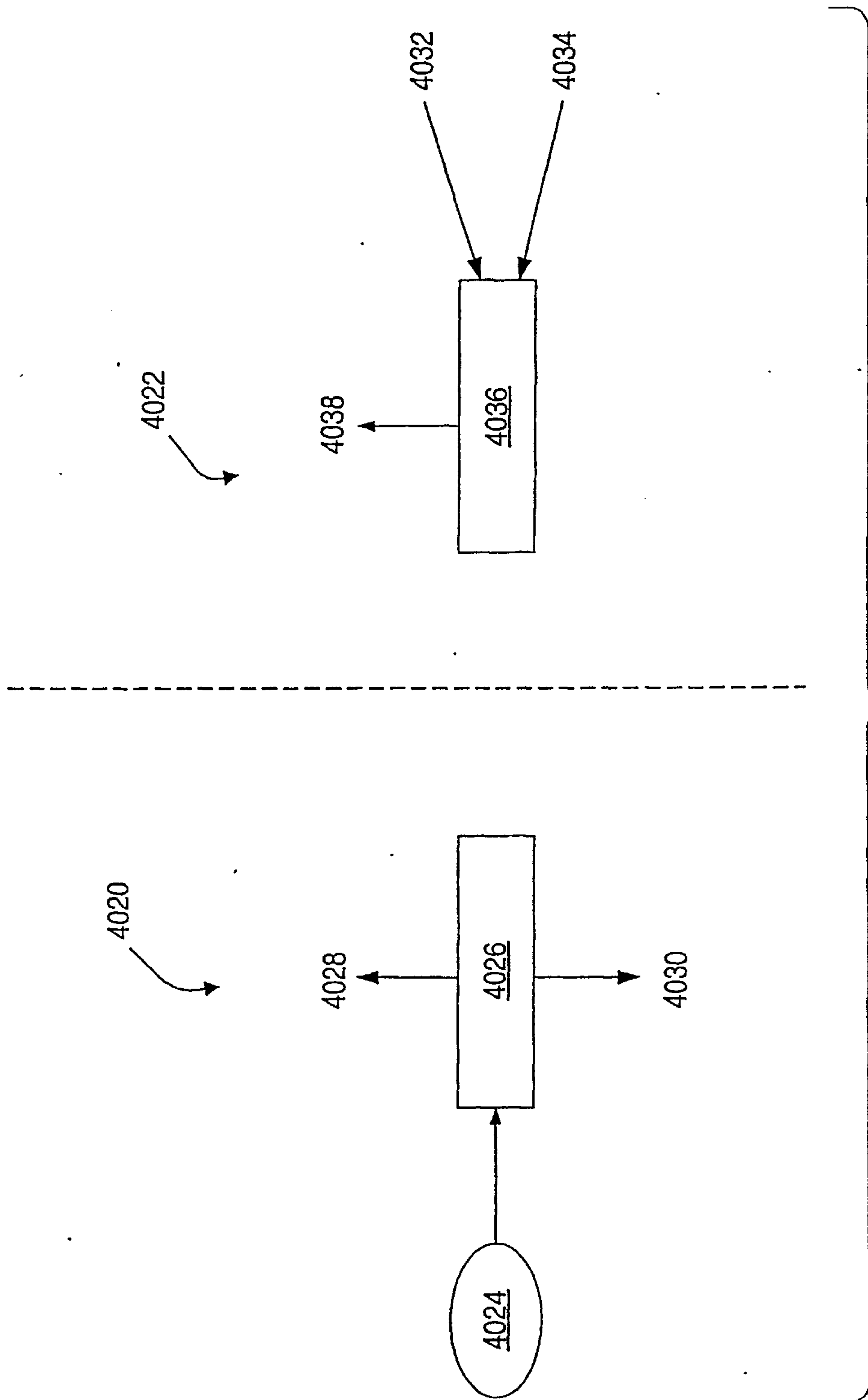


FIG. 160



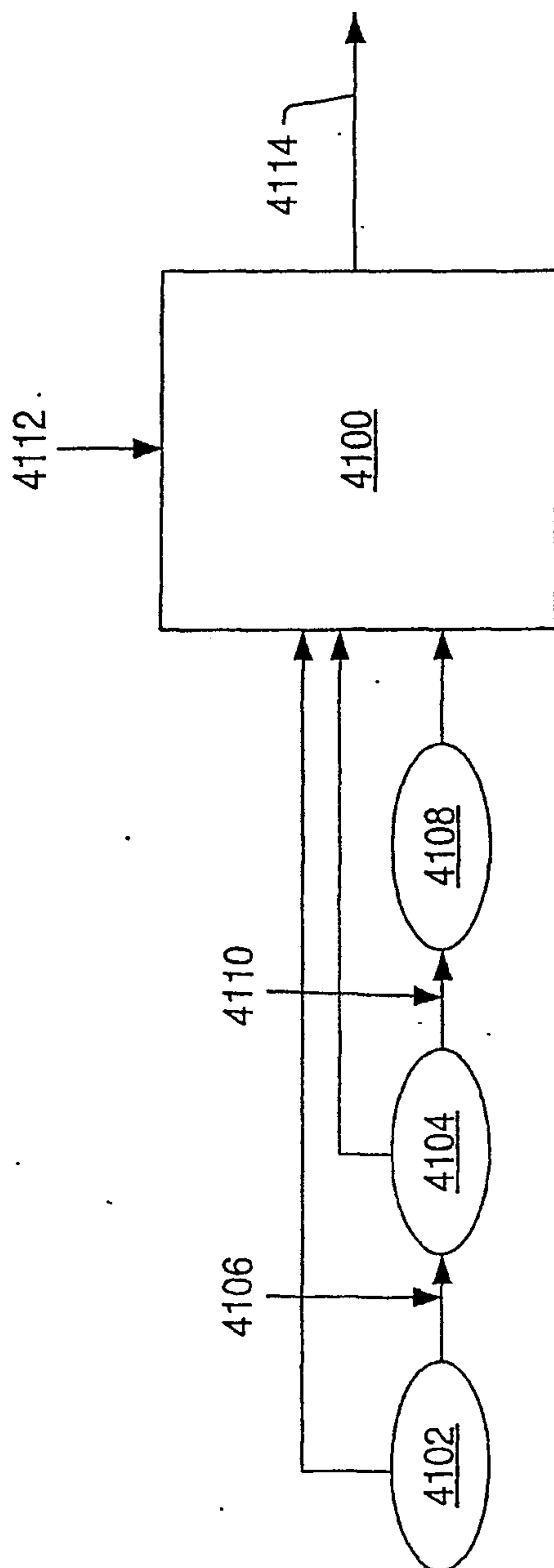


FIG. 162

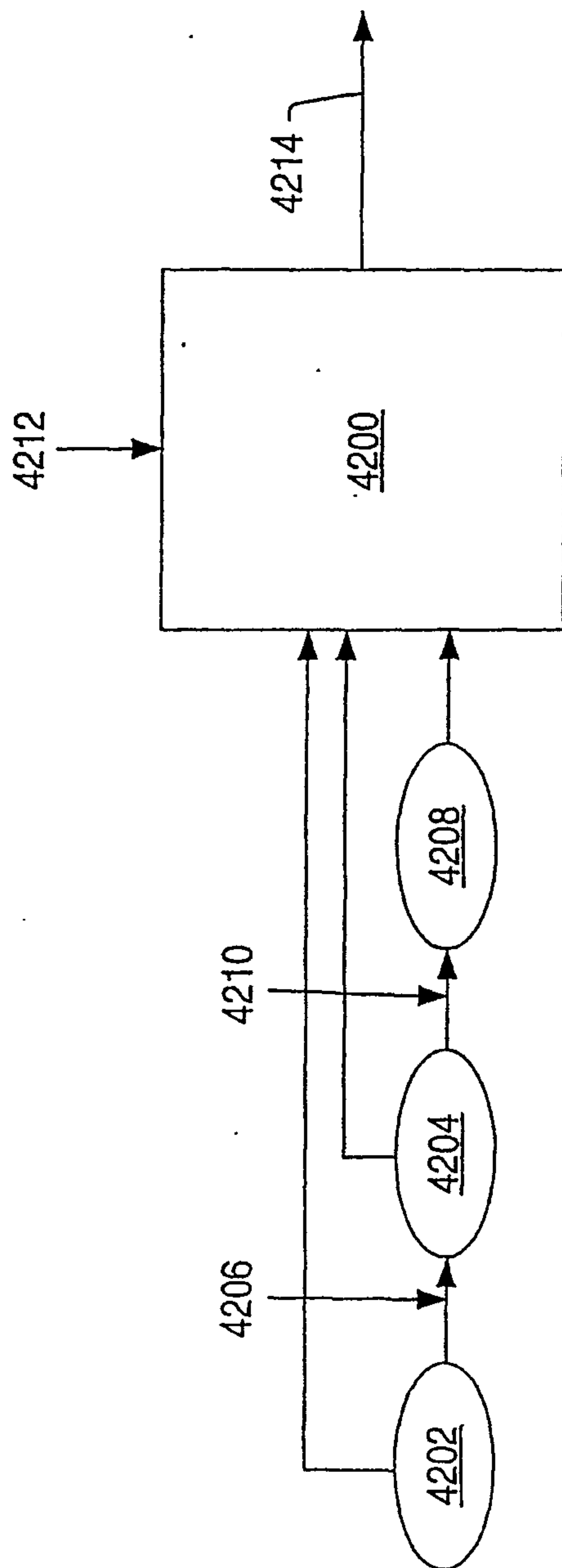


FIG. 163

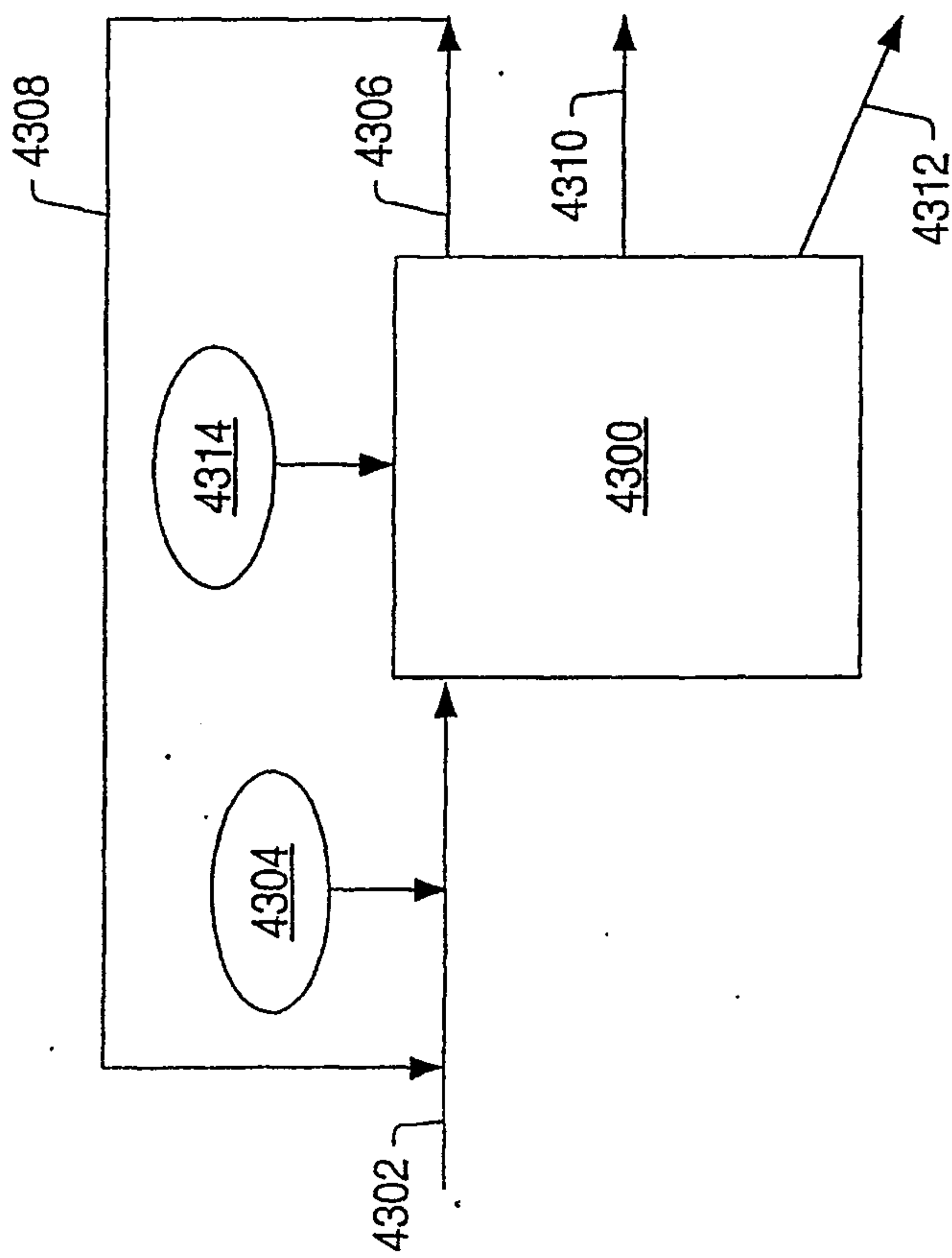
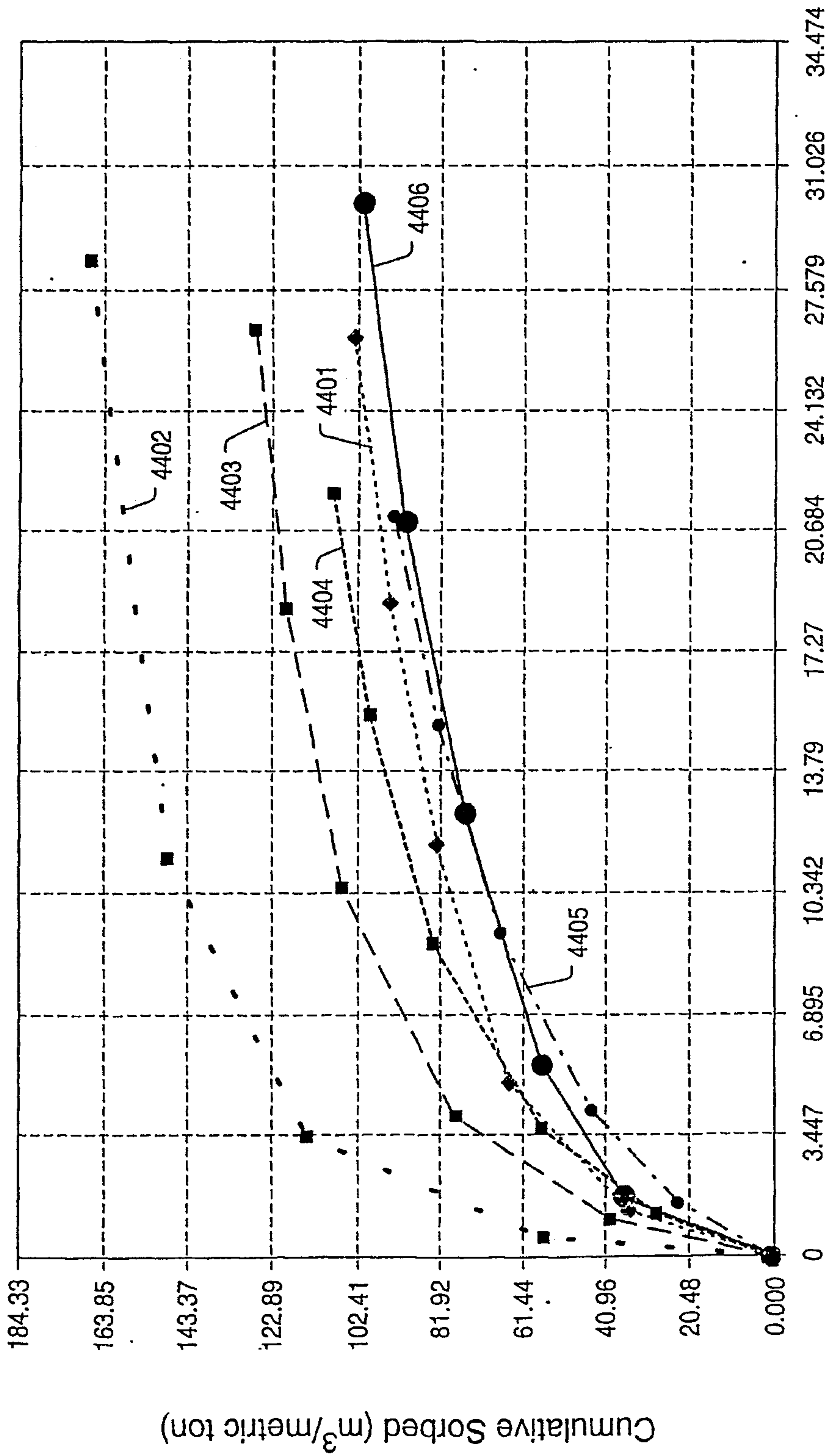


FIG. 164



Pressure (bars absolute)

FIG. 165

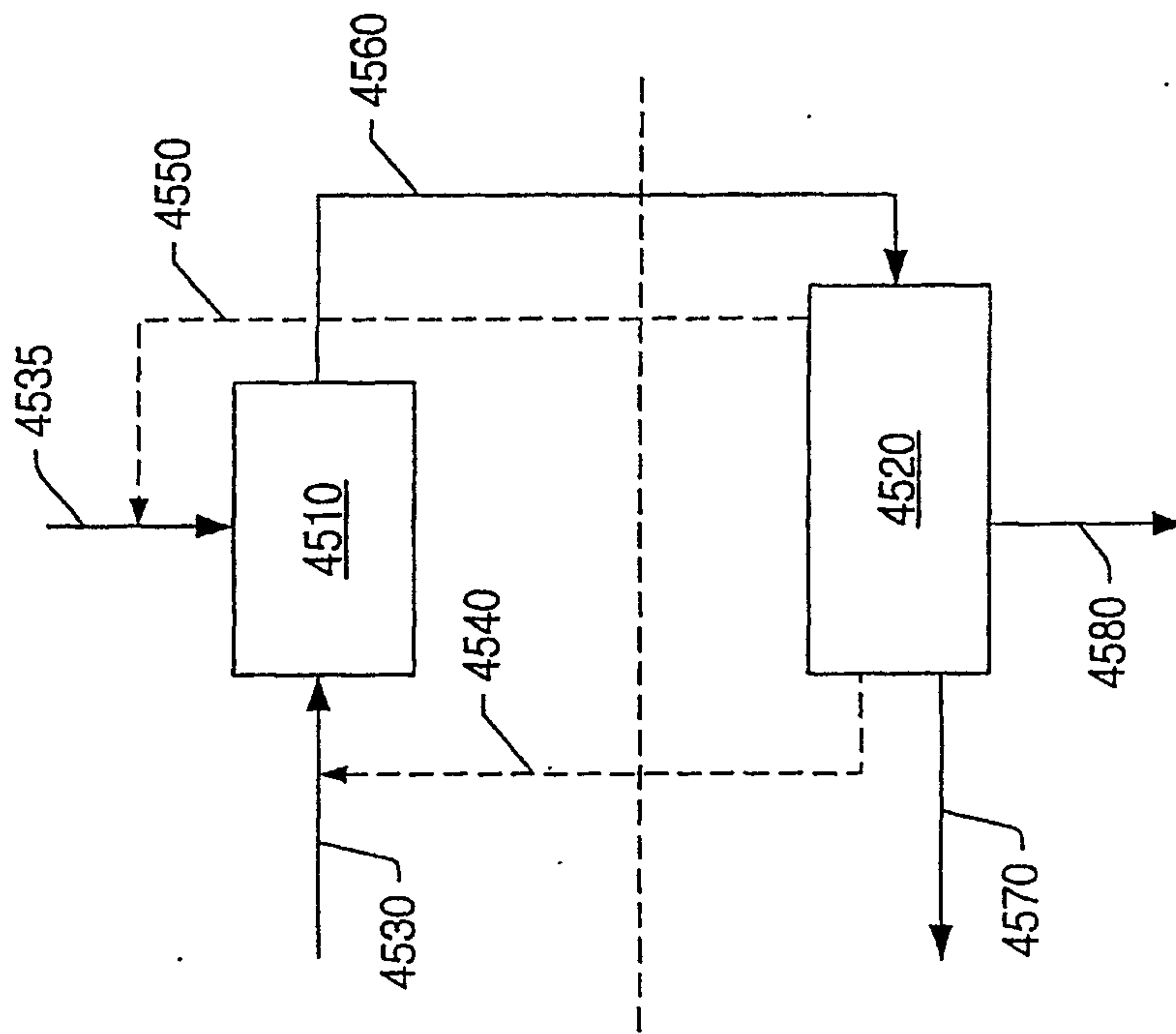


FIG. 166

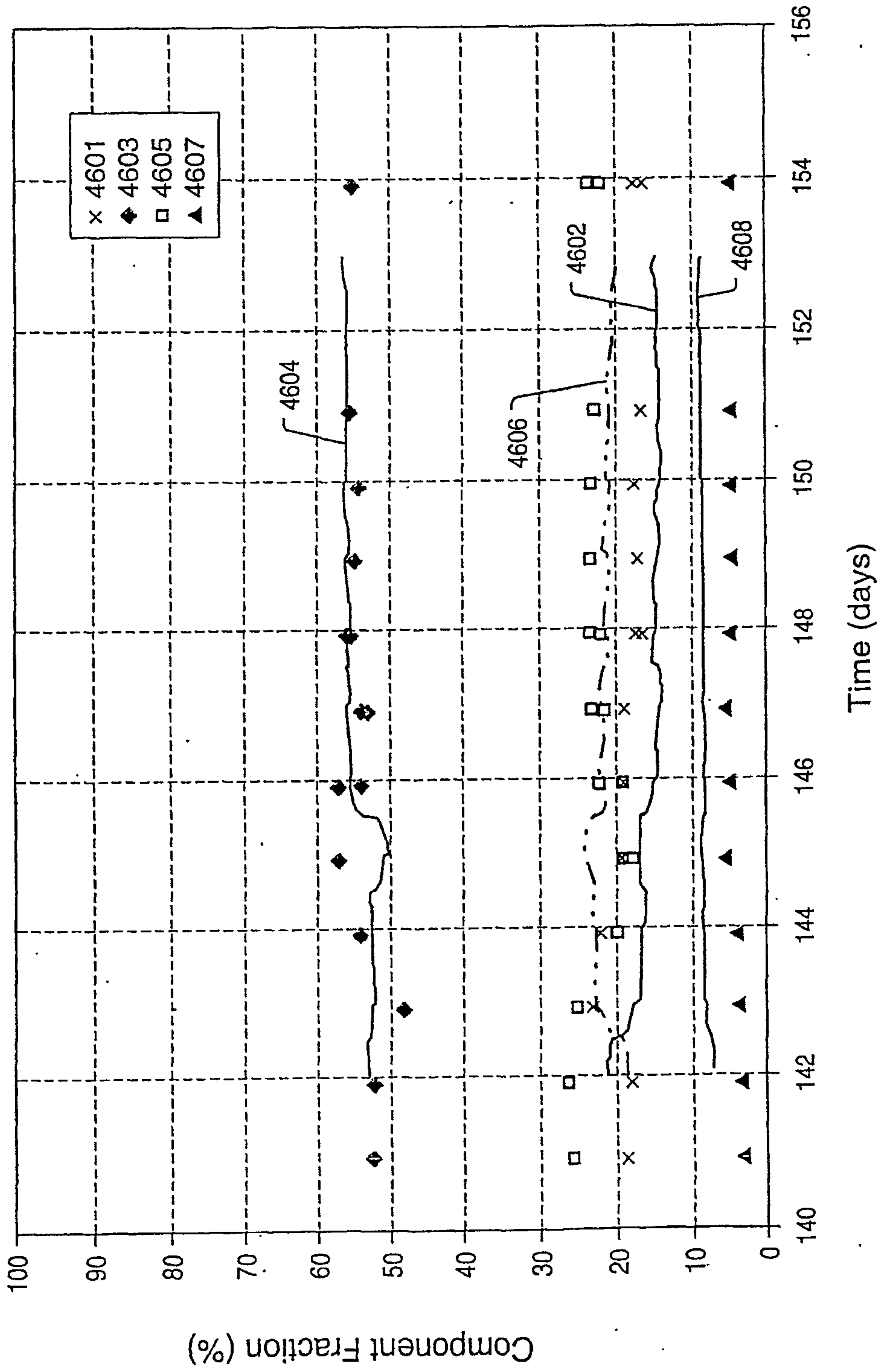
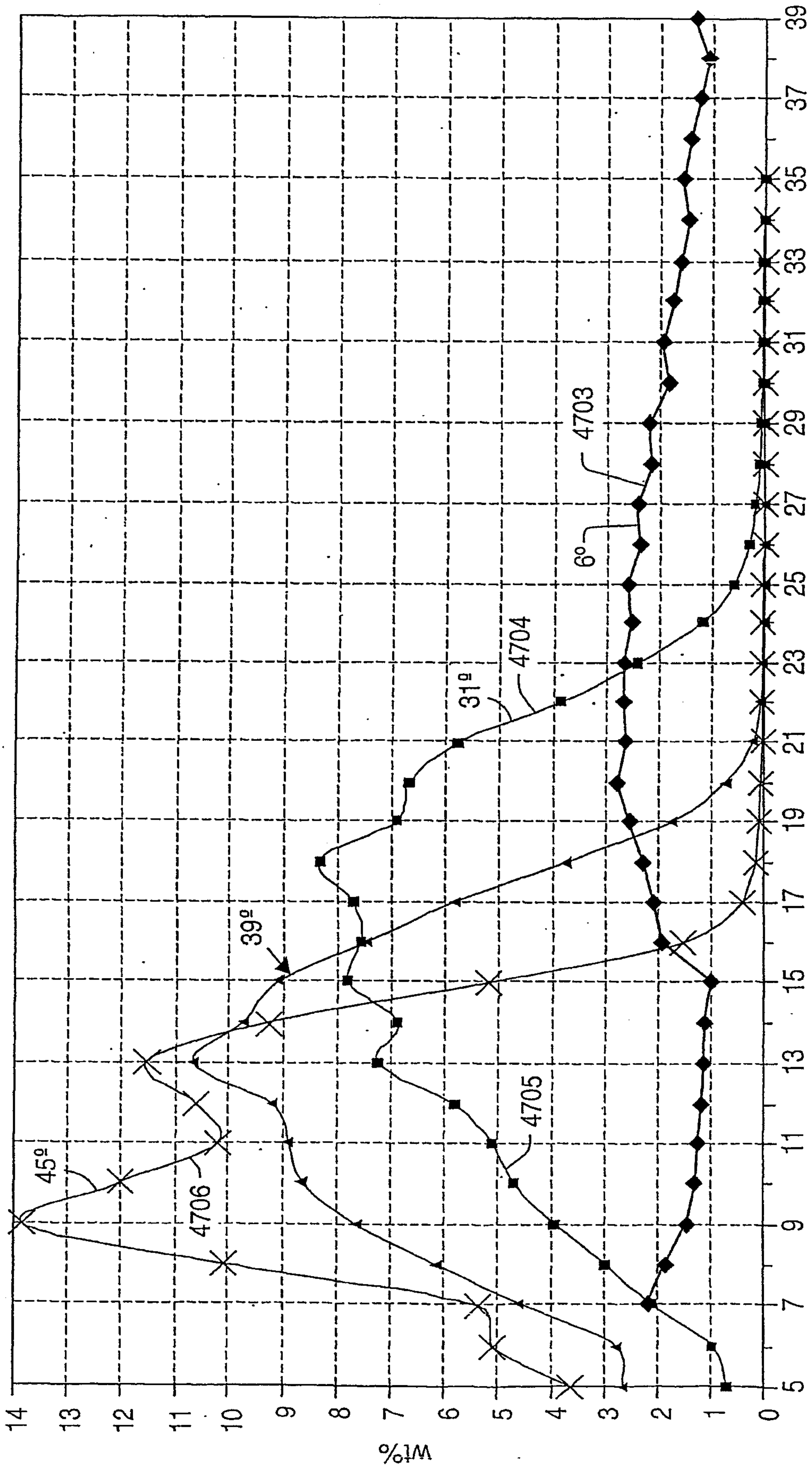


FIG. 167



Carbon Number
FIG. 168

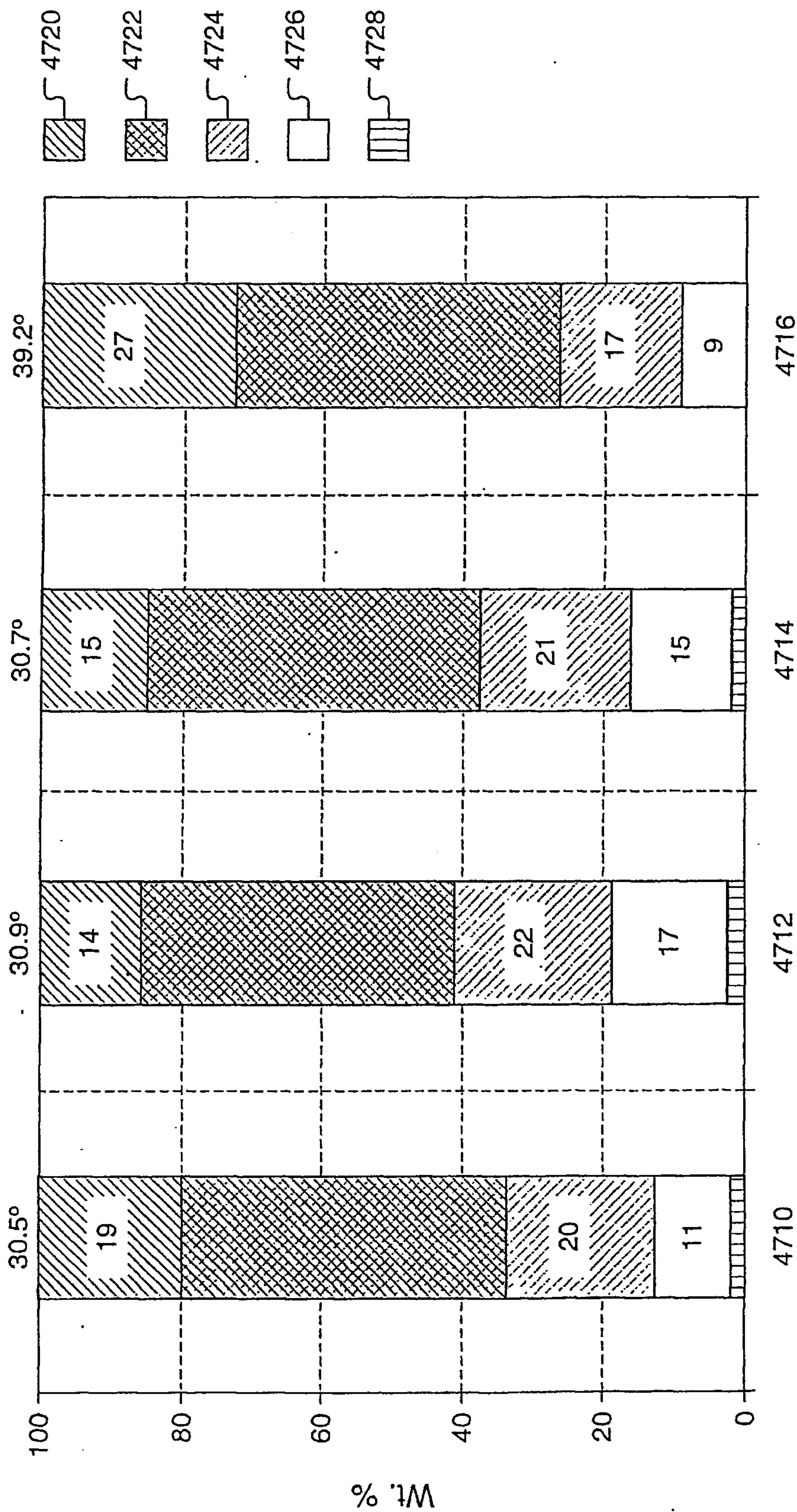


FIG. 169

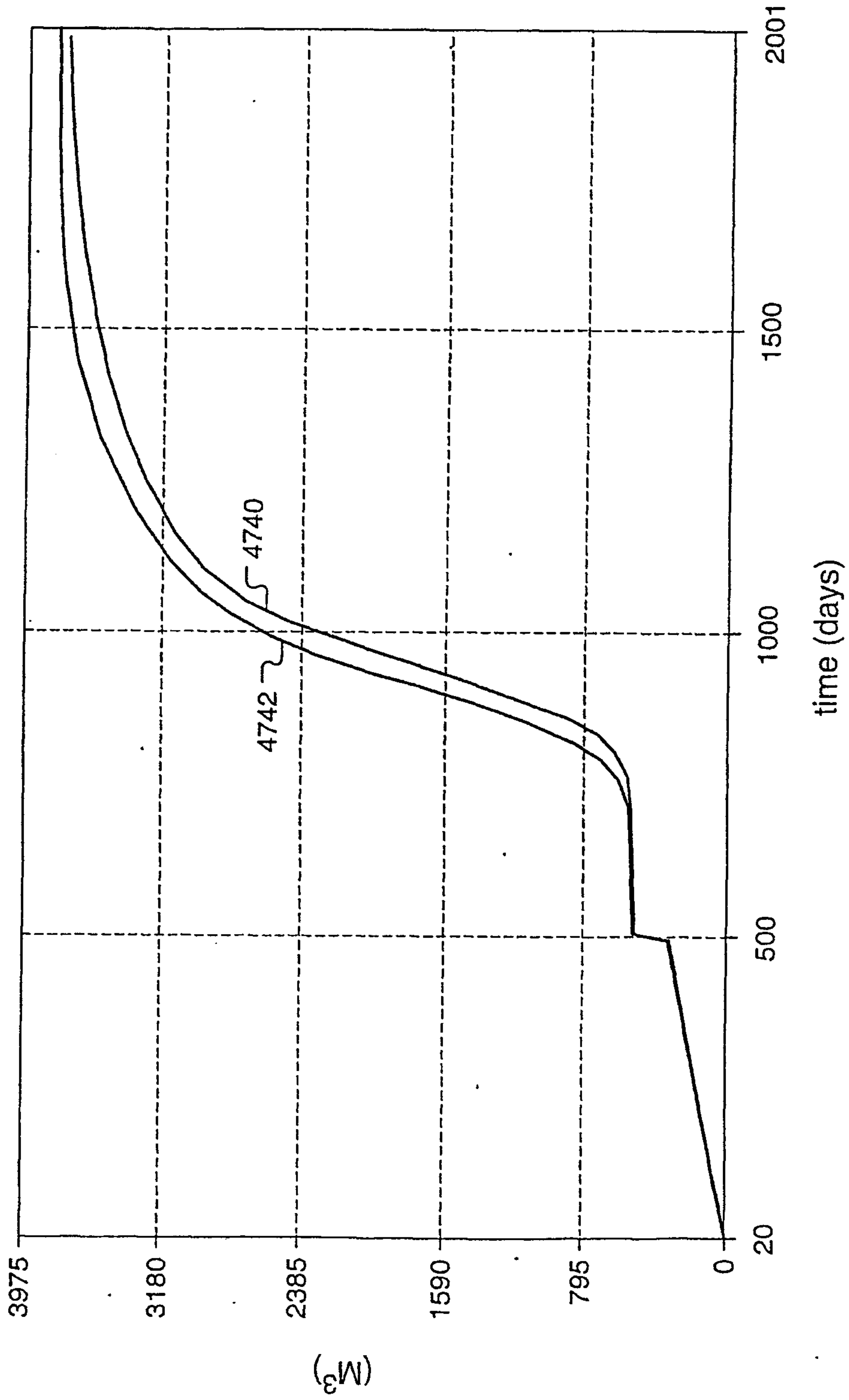


FIG. 170

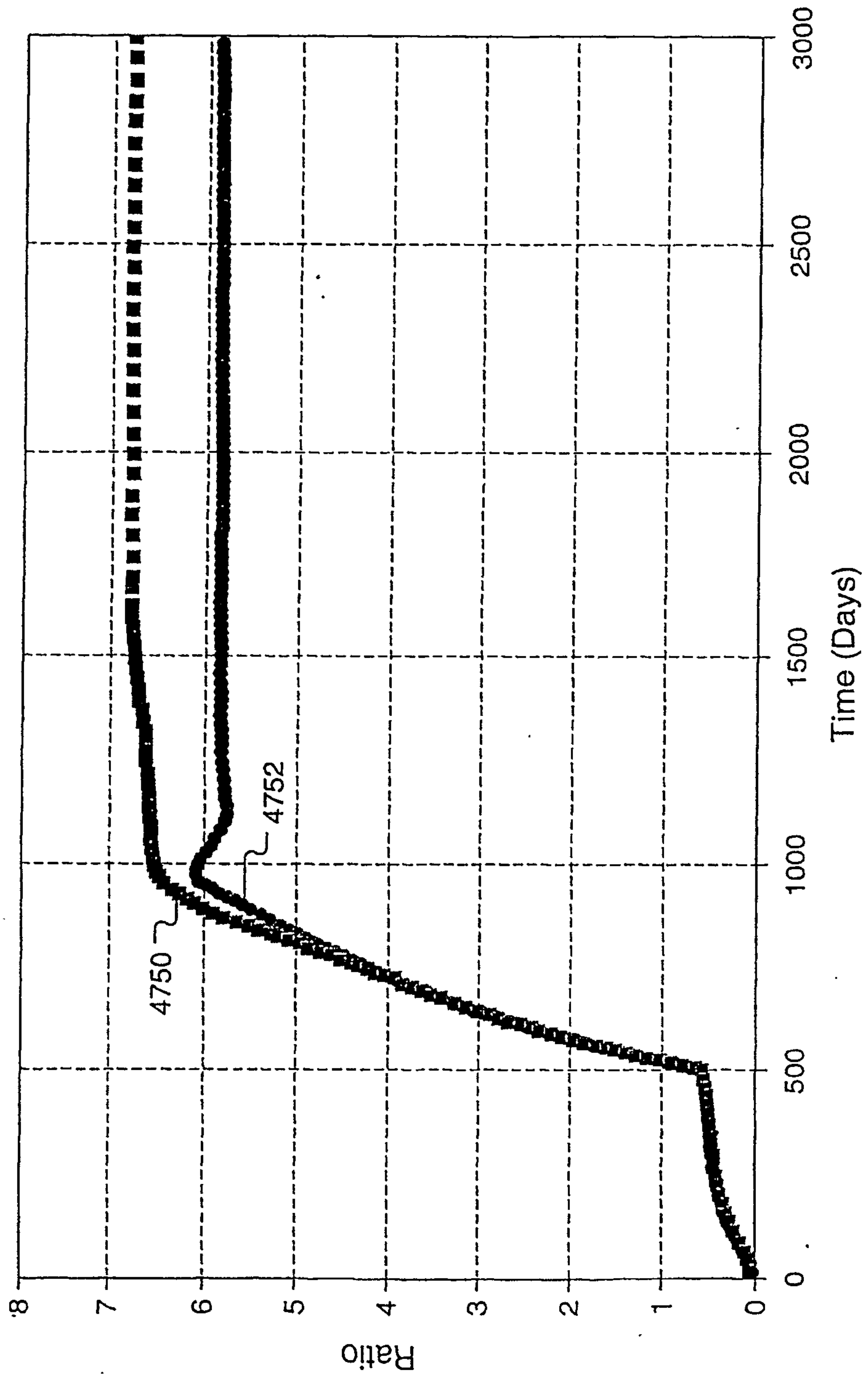


FIG. 171

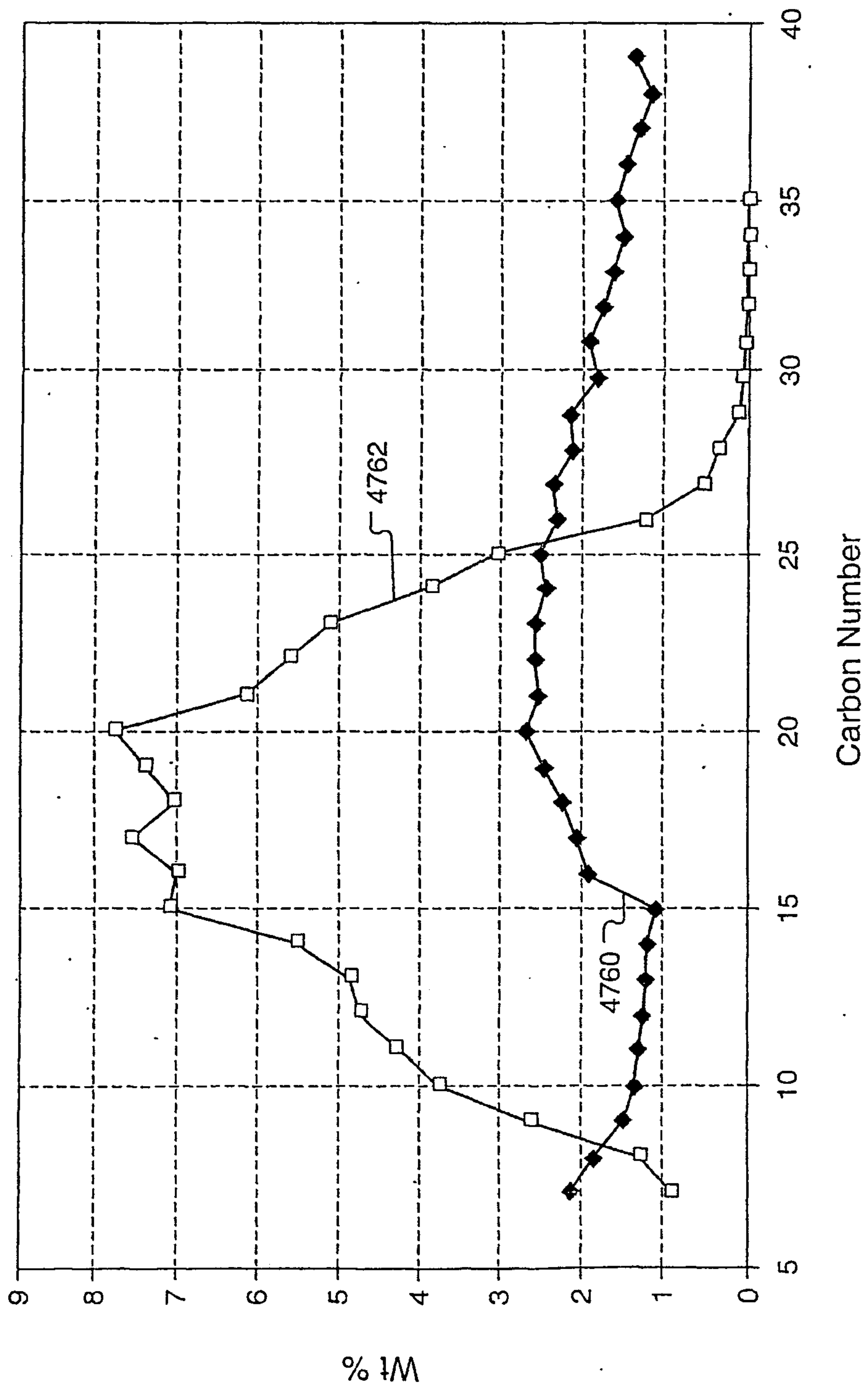


FIG. 172

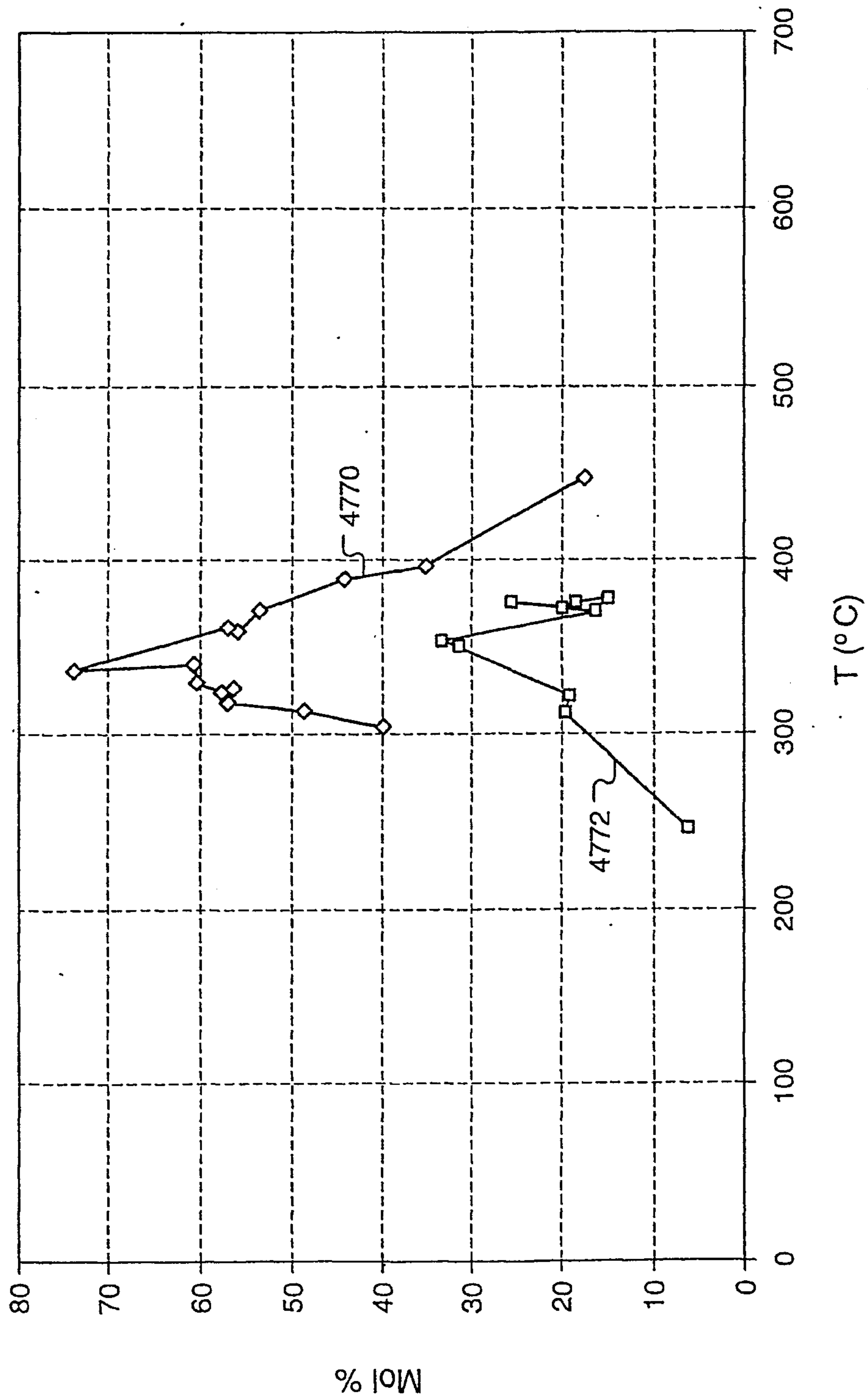


FIG. 173

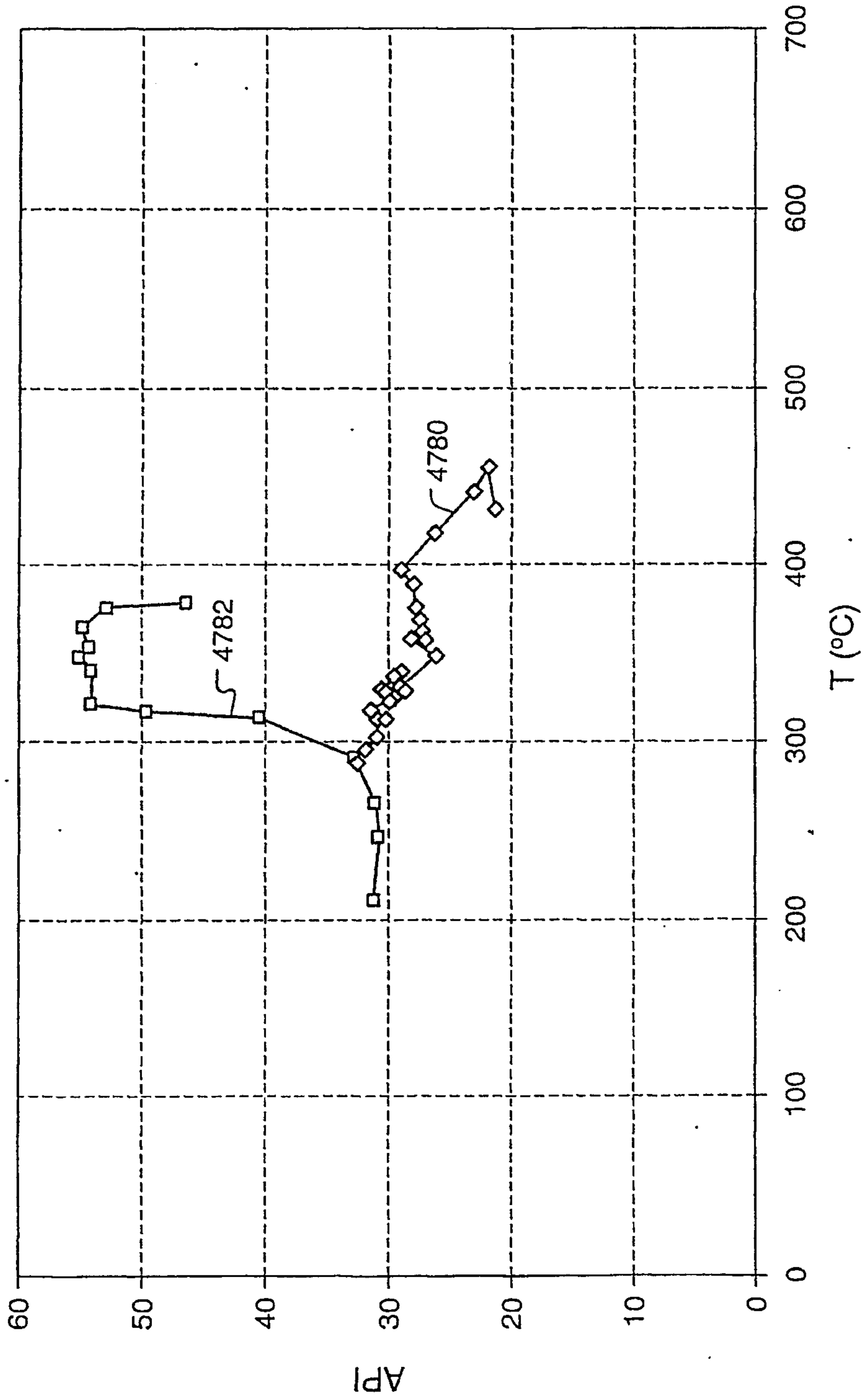
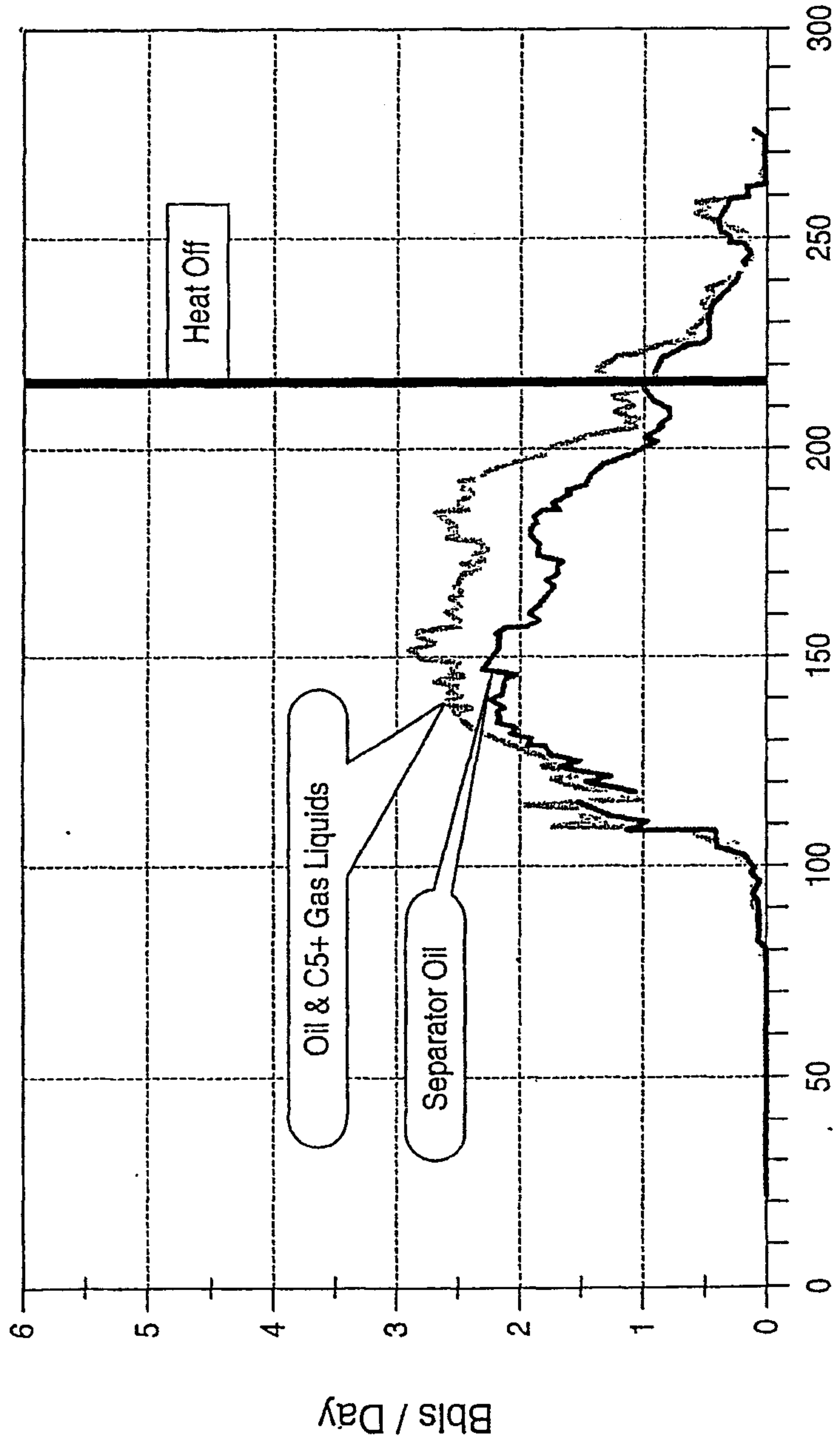


FIG. 174



Days From Start of Heat Injection

FIG. 175

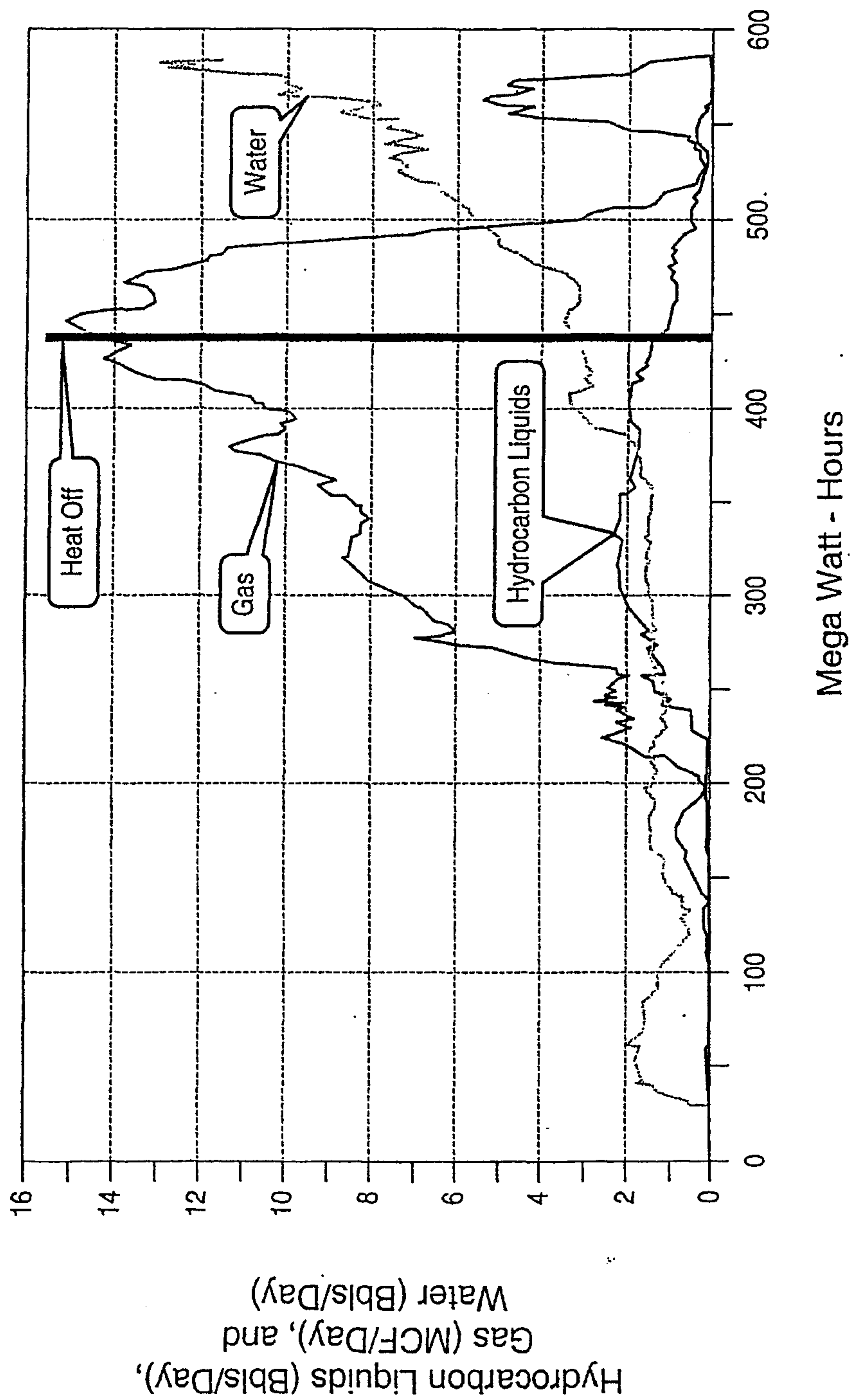


FIG. 176

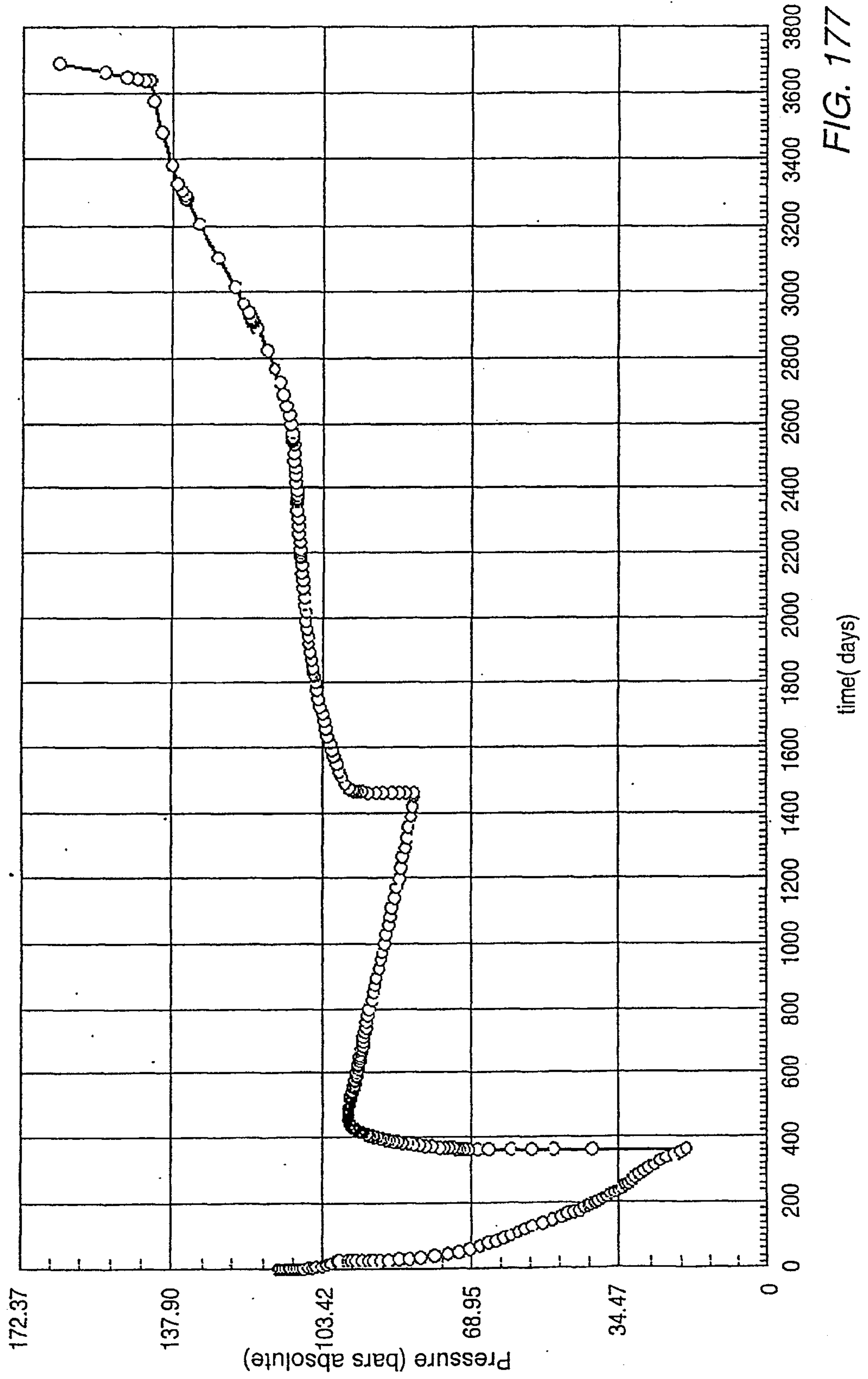


FIG. 177

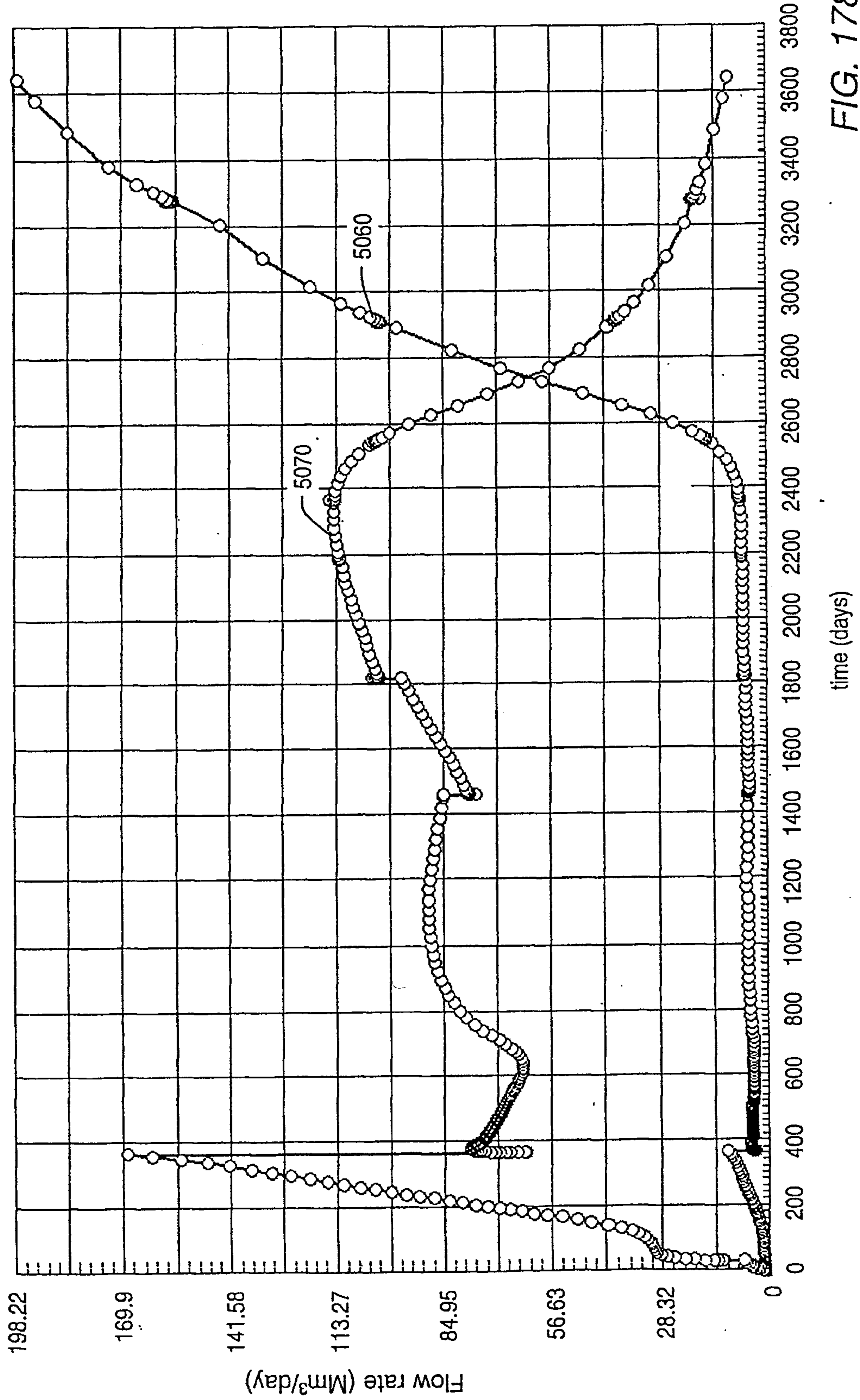


FIG. 178

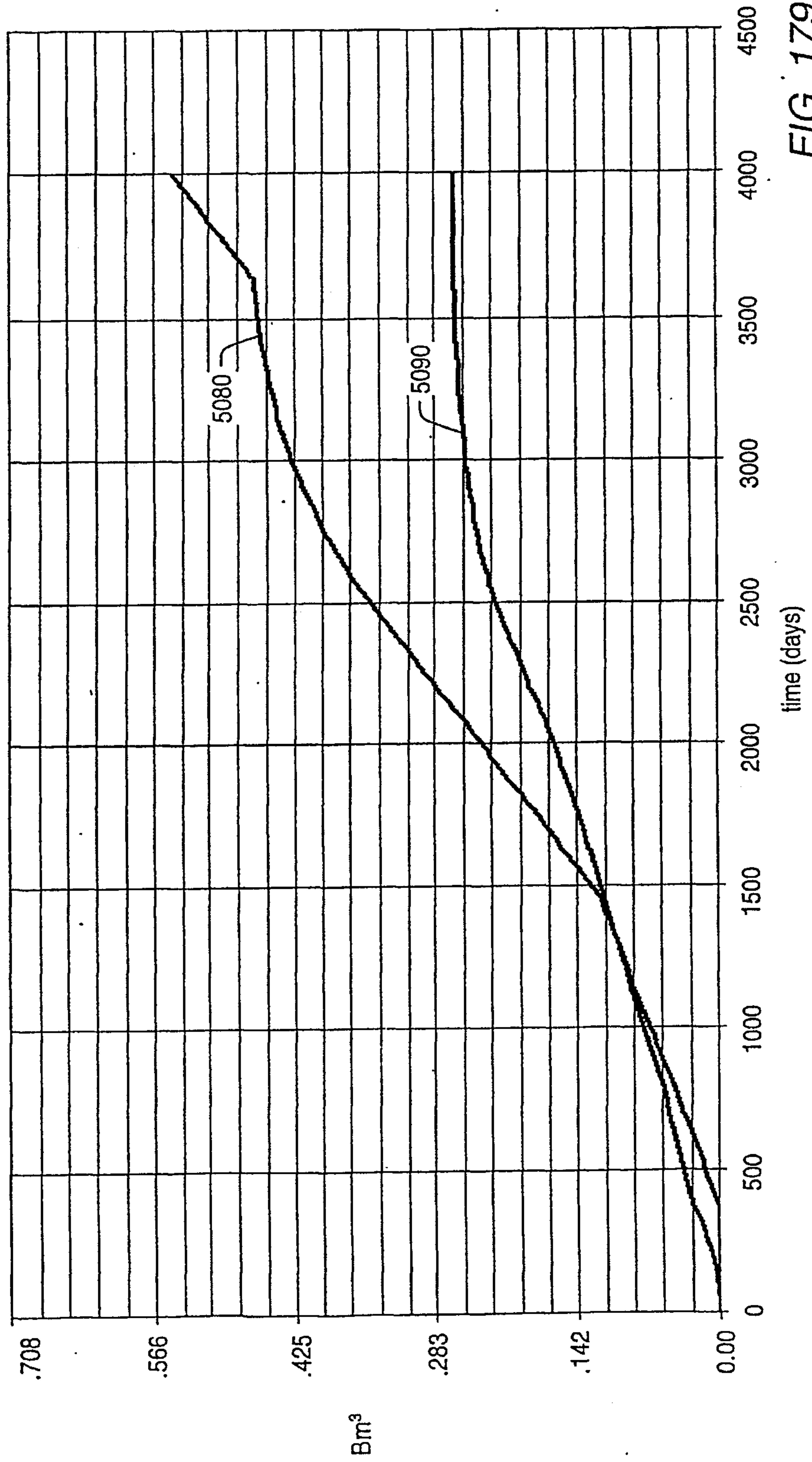


FIG. 179

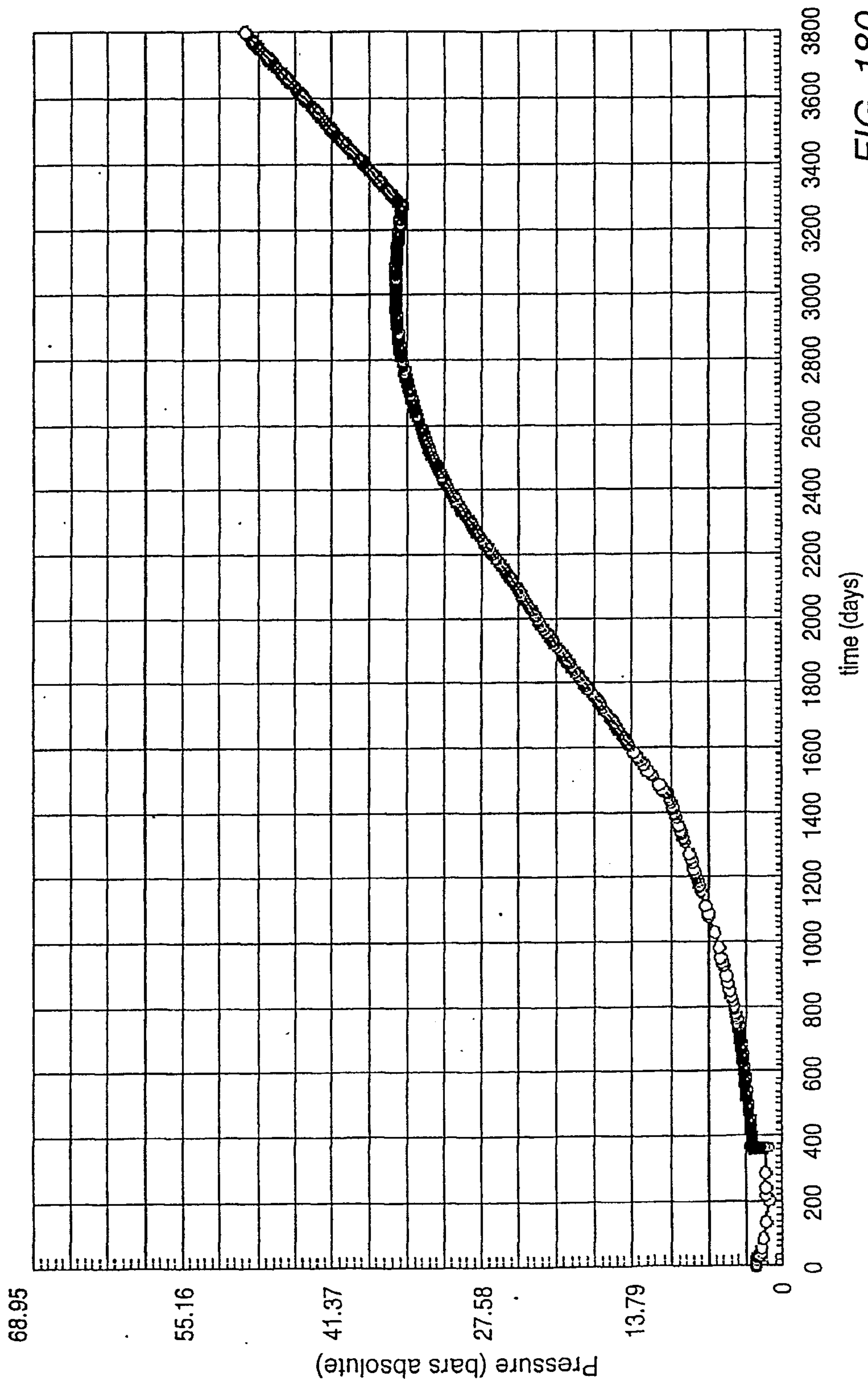


FIG. 180

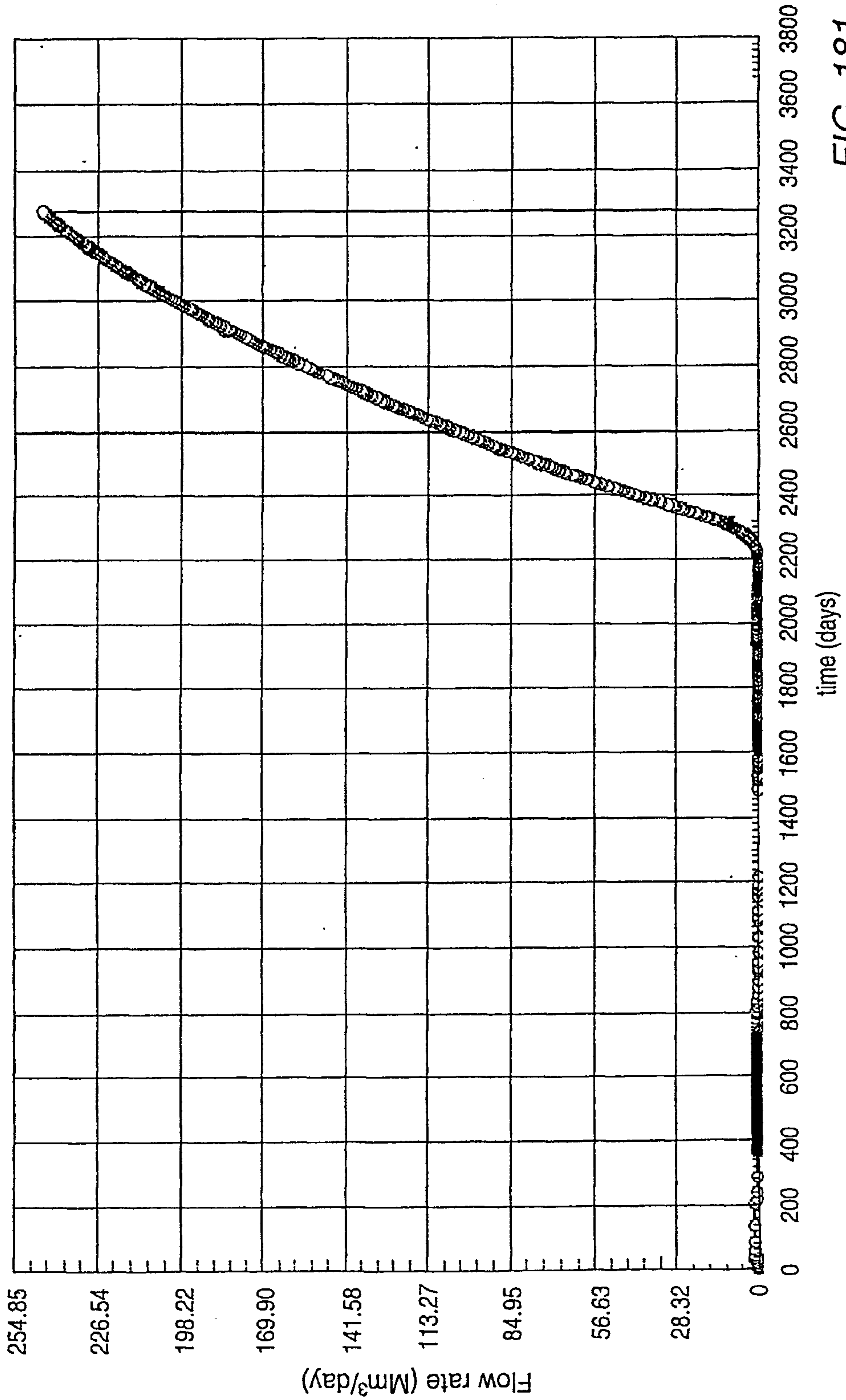


FIG. 181

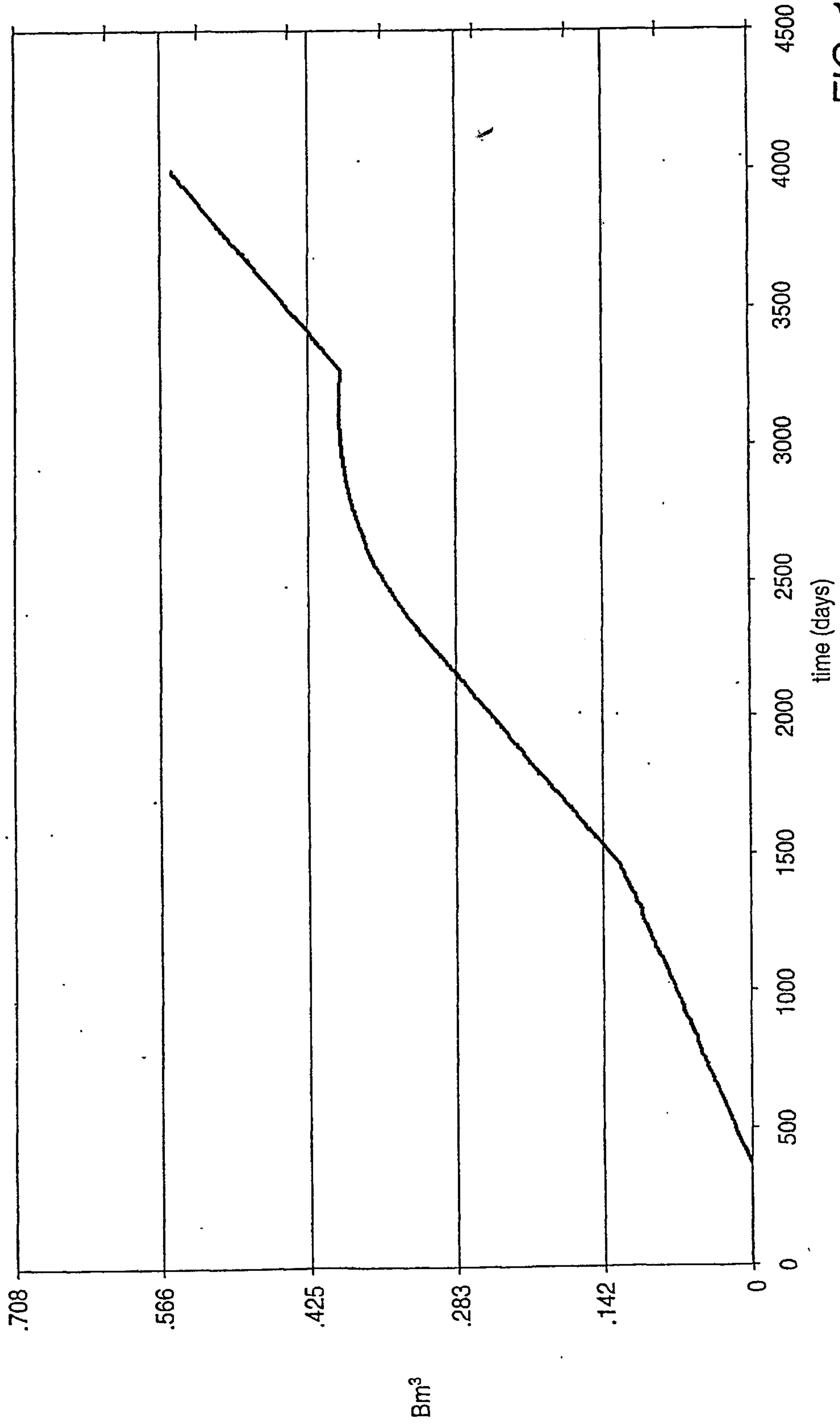


FIG. 182

