



(12) **United States Design Patent**  
**Song**

(10) **Patent No.:** **US D1,028,400 S**  
(45) **Date of Patent:** **\*\* May 21, 2024**

(54) **VACUUM CLEANER**  
(71) Applicant: **Suzhou Ash-Clean Intelligent Technology Co., Ltd., Jiangsu (CN)**  
(72) Inventor: **Pengfeng Song, Jiangsu (CN)**  
(\*\*) Term: **15 Years**  
(21) Appl. No.: **29/821,731**

D965,930 S \* 10/2022 Zhang ..... D32/18  
D966,637 S \* 10/2022 Xu ..... D32/18  
D976,505 S \* 1/2023 Tan ..... D32/18  
D982,858 S \* 4/2023 Dong ..... D32/21  
D1,002,133 S \* 10/2023 Chen ..... D32/18  
2021/0022573 A1 \* 1/2021 Shin ..... A47L 9/0477  
2021/0212529 A1 \* 7/2021 Hyun ..... A47L 9/1666  
2021/0259492 A1 \* 8/2021 Hyun ..... A47L 9/2884  
2023/0210331 A1 \* 7/2023 Yang ..... A47L 9/1683  
15/300.1  
2023/0240497 A1 \* 8/2023 Her ..... A47L 9/20  
15/347

(22) Filed: **Jan. 2, 2022**  
(51) **LOC (14) Cl.** ..... **15-05**  
(52) **U.S. Cl.**  
USPC ..... **D32/18**  
(58) **Field of Classification Search**  
USPC ..... D32/15, 17-21, 23, 24, 31-34  
CPC ..... A47L 7/0076; A47L 9/32; A47L 9/322;  
A47L 9/35; A47L 9/327; A47L 11/04;  
A47L 11/22; A47L 11/4075; A47L 5/24;  
A47L 5/26; A47L 7/02; A47L 9/04  
See application file for complete search history.

**FOREIGN PATENT DOCUMENTS**

CN 308124399 \* 7/2023  
\* cited by examiner

*Primary Examiner* — Kimberly Barnes  
(74) *Attorney, Agent, or Firm* — Che-Yang Chen; Law Office of Michael Chen

(57) **CLAIM**

The ornamental design for a vacuum cleaner, as shown and described.

(56) **References Cited**

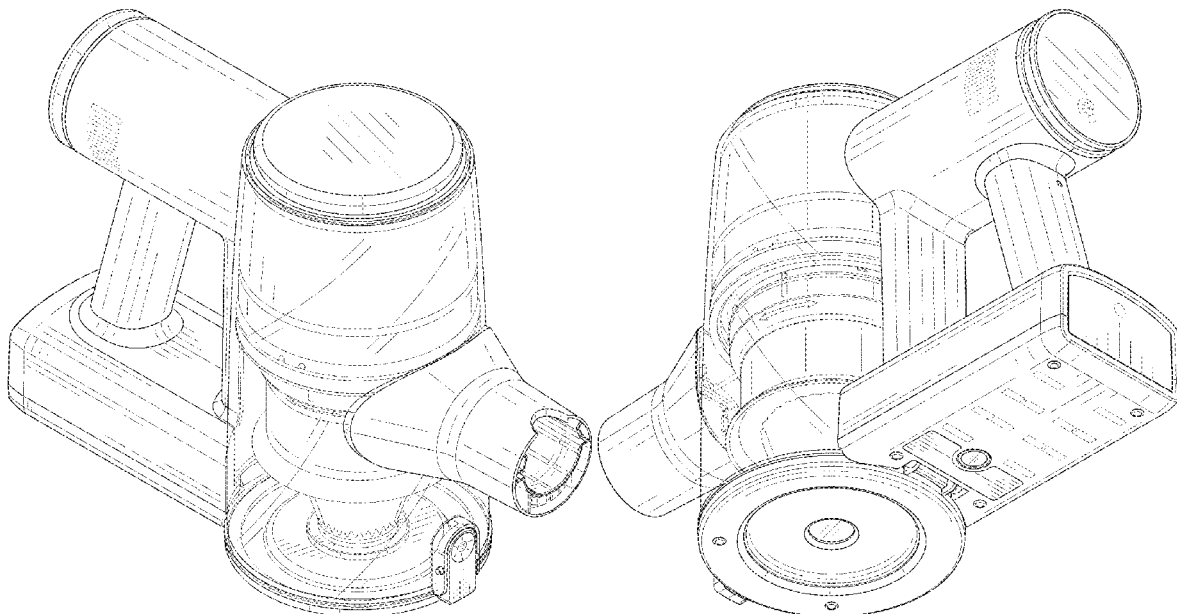
**U.S. PATENT DOCUMENTS**

D818,222 S \* 5/2018 Nam ..... D32/18  
D818,223 S \* 5/2018 Nam ..... D32/18  
D821,667 S \* 6/2018 Nam ..... D32/18  
D826,493 S \* 8/2018 Nam ..... D32/18  
D872,394 S \* 1/2020 Yang ..... D32/18  
D915,697 S \* 4/2021 Kim ..... B01D 46/62  
D32/18  
D920,609 S \* 5/2021 Ma ..... D32/21  
D927,103 S \* 8/2021 Zou ..... D32/18  
D935,713 S \* 11/2021 Ma ..... D32/18  
D936,311 S \* 11/2021 Liu ..... D32/18  
D946,221 S \* 3/2022 Ma ..... D32/18  
D947,472 S \* 3/2022 He ..... D32/18  
D948,142 S \* 4/2022 He ..... D32/18  
D964,674 S \* 9/2022 Kim ..... D32/18

**DESCRIPTION**

FIG. 1 is a perspective view of a vacuum cleaner showing my new design;  
FIG. 2 is a perspective view thereof from another angle;  
FIG. 3 is a front elevational view thereof;  
FIG. 4 is a rear elevational view thereof;  
FIG. 5 is a left side elevational view thereof;  
FIG. 6 is a right side elevational view thereof;  
FIG. 7 is a top plan view thereof; and,  
FIG. 8 is a bottom plan view thereof.  
The broken lines in the drawings depict portions of the vacuum cleaner that form no part of the claimed design.

**1 Claim, 8 Drawing Sheets**



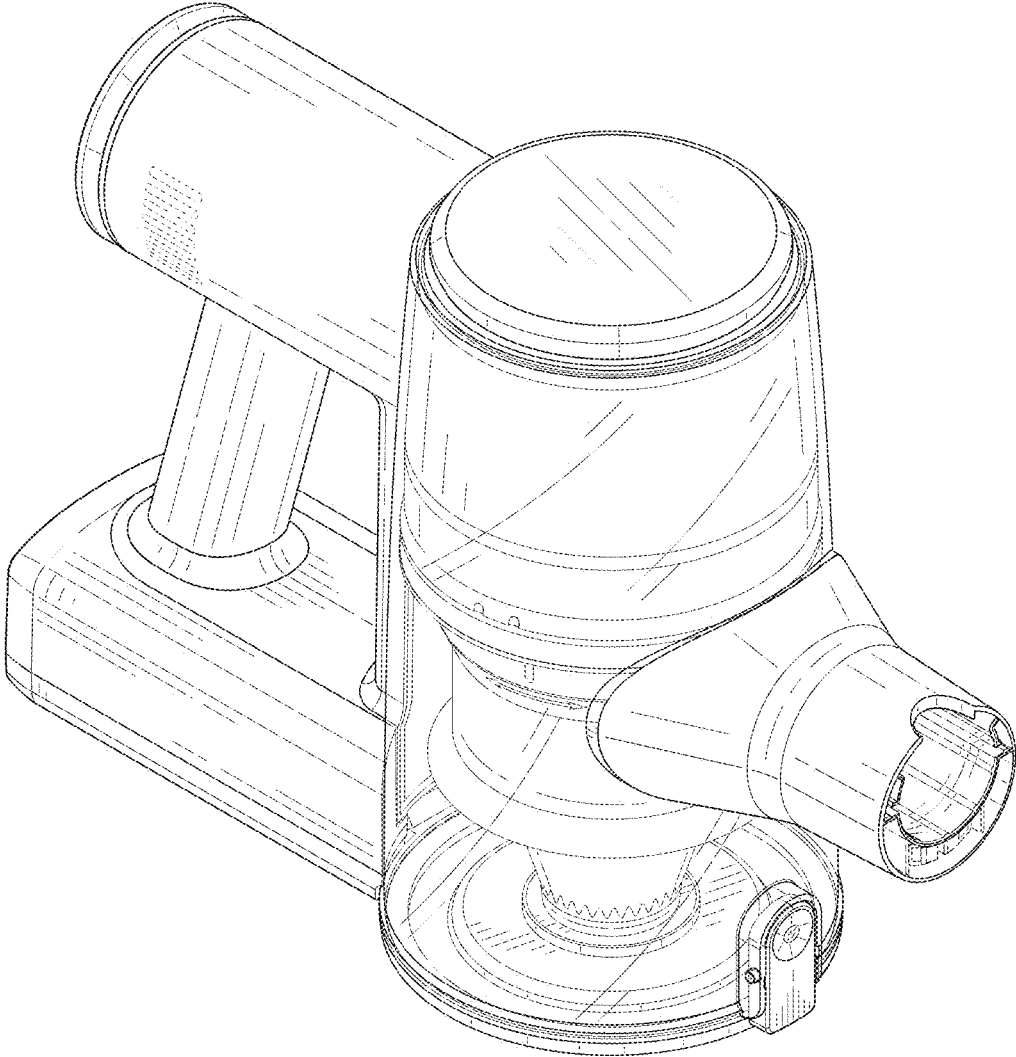


FIG. 1

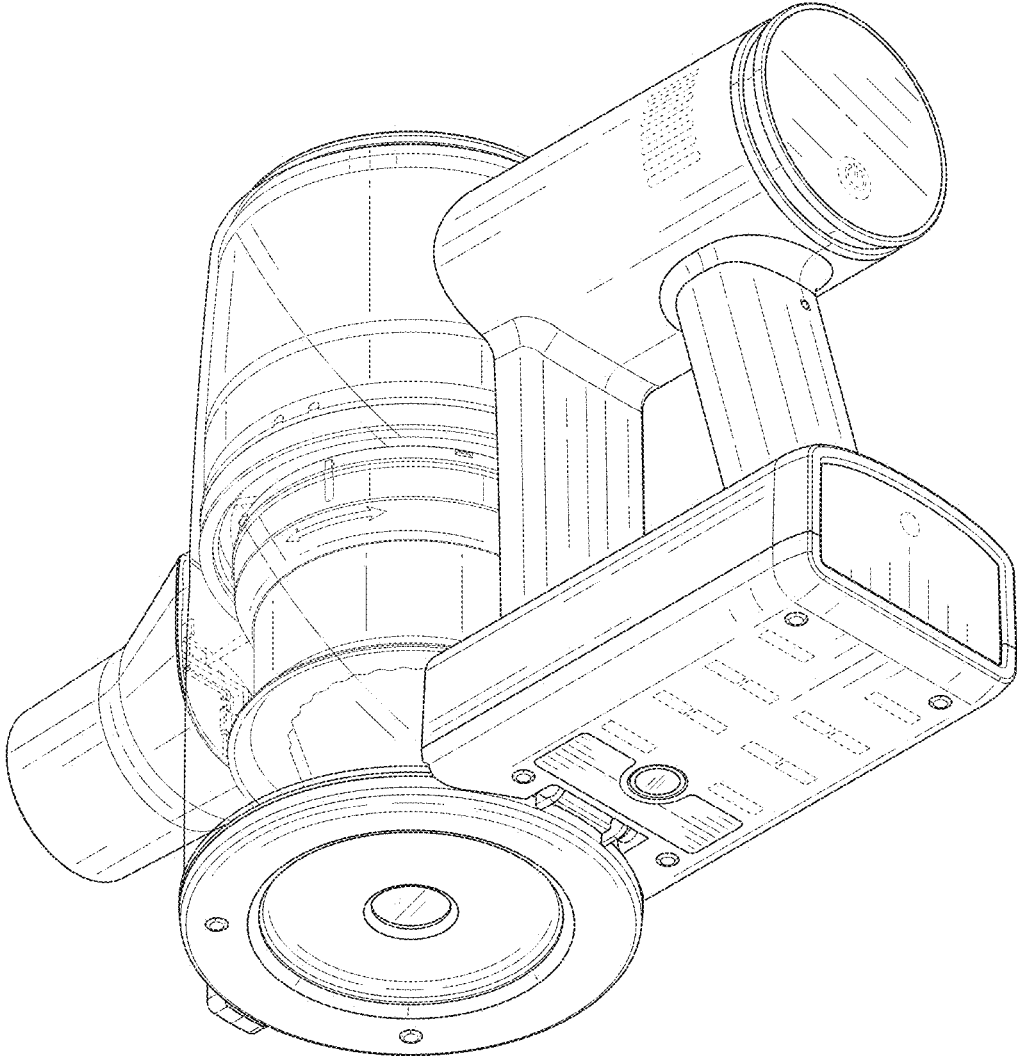


FIG.2

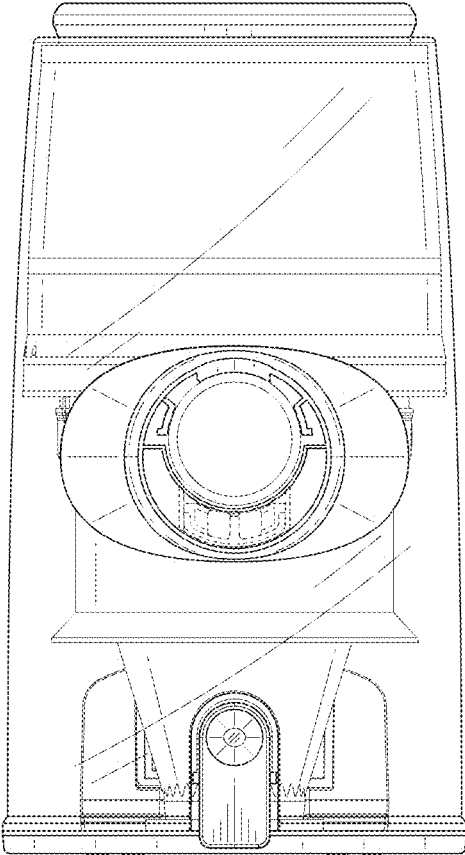


FIG.3

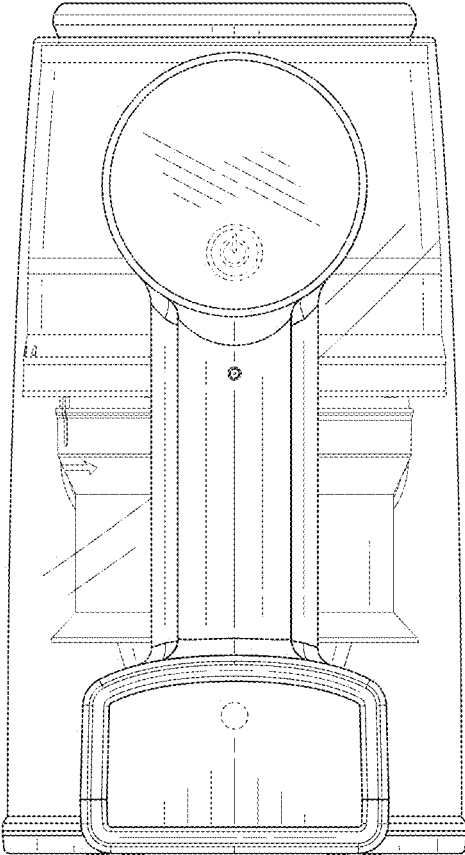


FIG.4

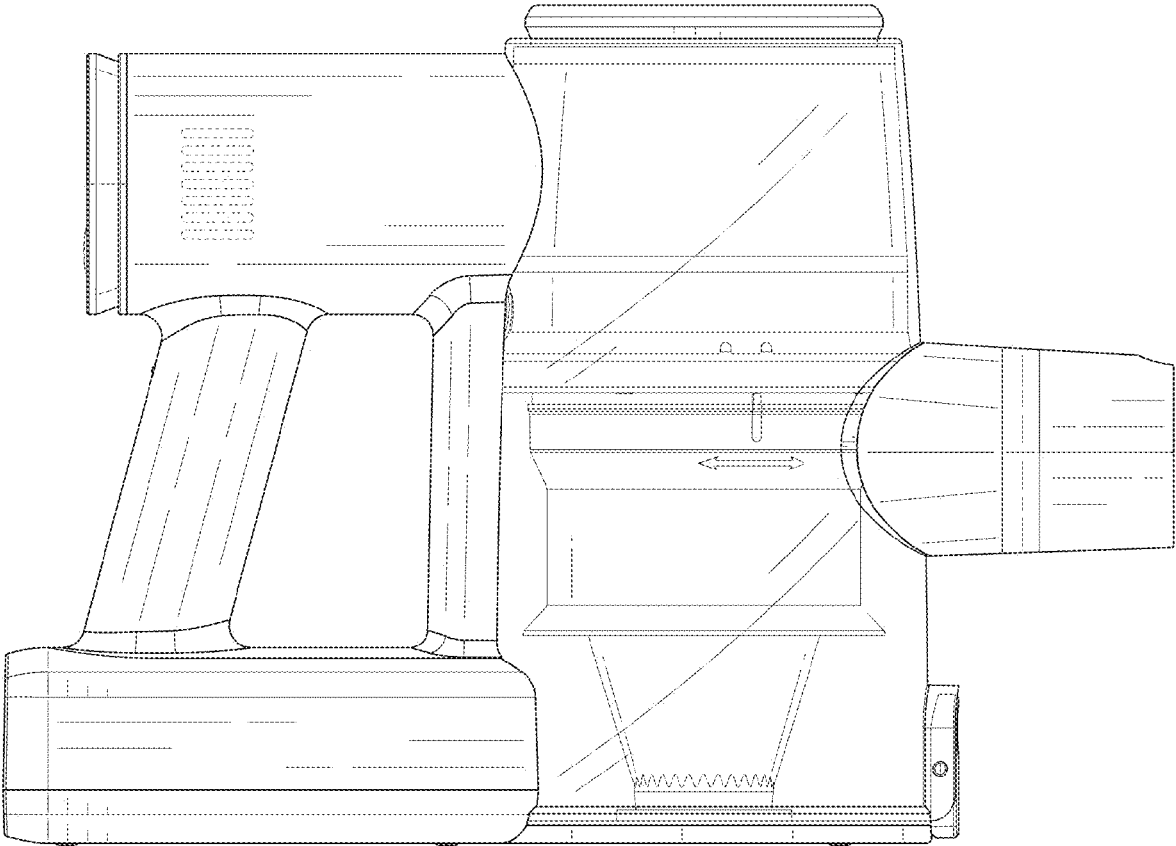


FIG.5

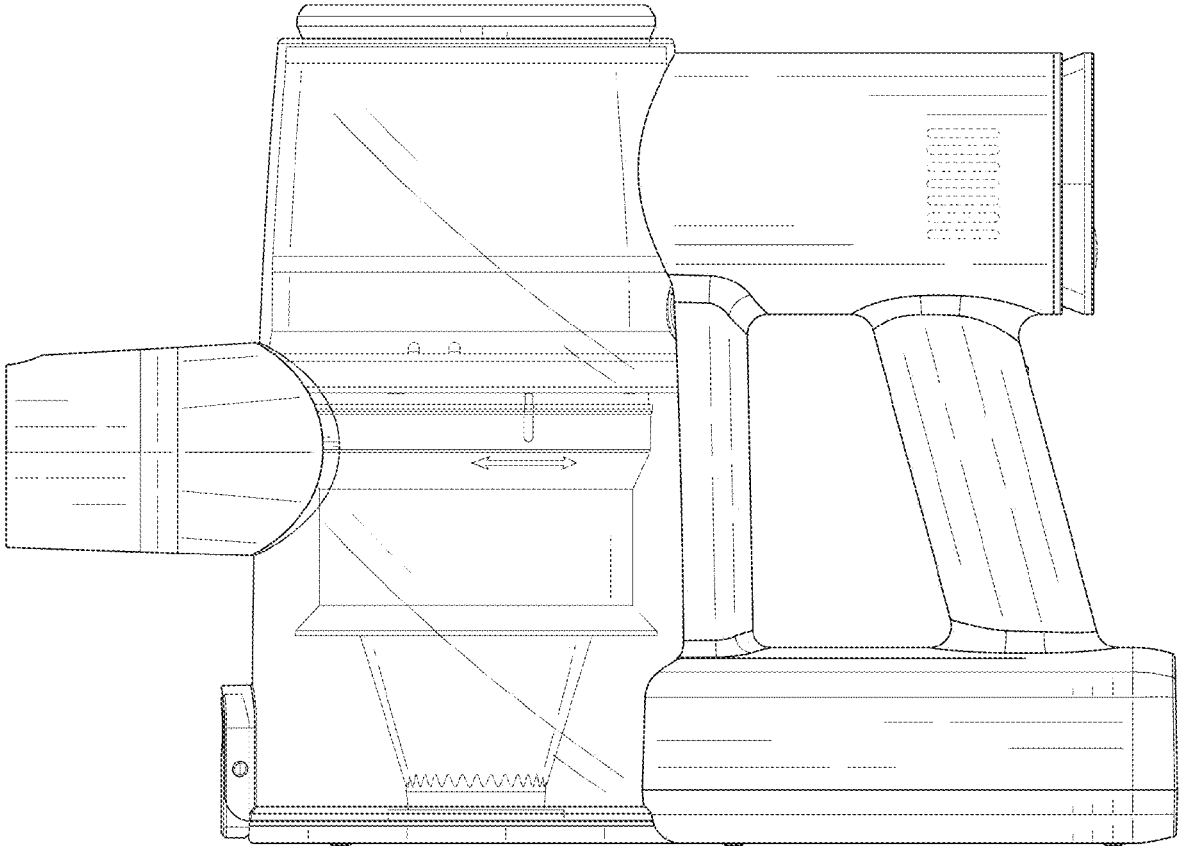


FIG.6

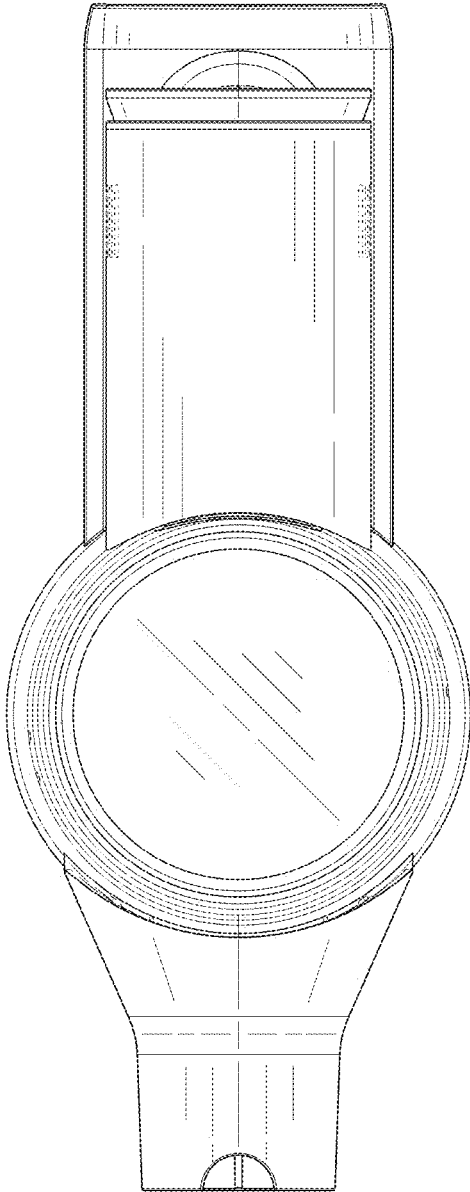


FIG. 7



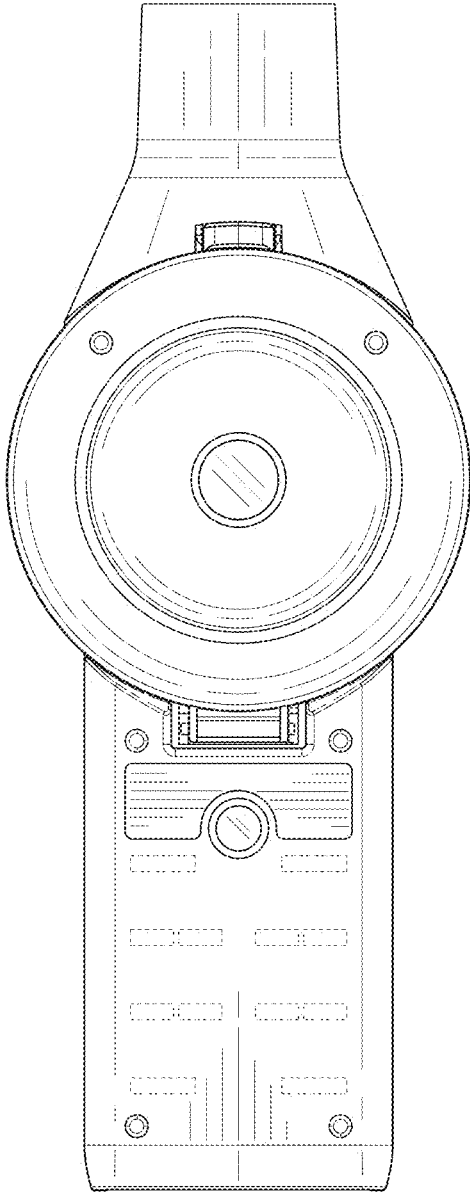


FIG. 8