



US00D431441S

United States Patent [19] Tarpill

[11] Patent Number: Des. 431,441
[45] Date of Patent: ** Oct. 3, 2000

[54] COMBINATION CORING, STRIPPING AND JACKET REMOVAL TOOL

[75] Inventor: Andrew J. Tarpill, East Haddam, Conn.

[73] Assignee: Capewell Components Company, LLC, Cromwell, Conn.

[**] Term: 14 Years

[21] Appl. No.: 29/102,384

[22] Filed: Mar. 24, 1999

[51] LOC (7) Cl. 08-03

[52] U.S. Cl. D8/98; D8/51; D8/105

[58] Field of Search D8/105, 98, 51, D8/14; 30/90.1, 90.4; 81/9.4, 9.5

[56] References Cited

U.S. PATENT DOCUMENTS

D. 235,966	7/1975	Olson	D8/14 X
D. 237,938	12/1975	Seminario	D8/51 X
D. 237,939	12/1975	Seminario	D8/51 X
D. 270,992	10/1983	Matthews	D8/98
D. 285,526	9/1986	Ribakusky	D8/51
D. 294,796	3/1988	Bonbright	D8/51
D. 354,665	1/1995	Greenland et al.	D8/51
D. 374,802	10/1996	Spirer et al.	D8/51
3,660,897	5/1972	Gilmore	D8/51 X
3,911,576	10/1975	Castoe	D8/98 X
4,203,333	5/1980	Campari	.	
4,317,279	3/1982	Smith et al.	.	
4,345,375	8/1982	Hayward	.	
4,459,881	7/1984	Hughes, Jr.	.	
4,559,704	12/1985	Michael, III	30/90.1
4,594,029	6/1986	Michael, III	.	
4,729,268	3/1988	Morrow	.	
5,009,130	4/1991	Bieganski	.	
5,023,995	6/1991	Kaplan	.	
5,471,744	12/1995	Simmering	30/90.1 X
5,511,305	4/1996	Garner	30/90.4 X
5,749,270	5/1998	Bourbeau	81/9.4

FOREIGN PATENT DOCUMENTS

2147151 5/1985 United Kingdom .

OTHER PUBLICATIONS

XP-Series, Fast Cuts From LEMCO, New Procedures and New Tools For Preparing Coaxial Cable. Corstrip Tools/XP, XLP-Series.

Primary Examiner—Jeffrey Asch
Attorney, Agent, or Firm—DeLio & Peterson LLC

[57] CLAIM

The ornamental design for a combination coring, stripping, and jacket removal tool, as shown and described.

DESCRIPTION

FIG. 1 is a top plan view of the design of this invention. FIG. 2 is a front elevational view of the design of this invention.

FIG. 3 is a bottom plan view of the design of this invention. FIG. 4 is a back elevational view of the design of this invention.

FIG. 5 is a left side elevational view of the jacket removal portion of the design of this invention.

FIG. 6 is a right side elevational view of the jacket removal portion of the design of this invention.

FIG. 7 is a left side elevational view of the coring portion of the design of this invention.

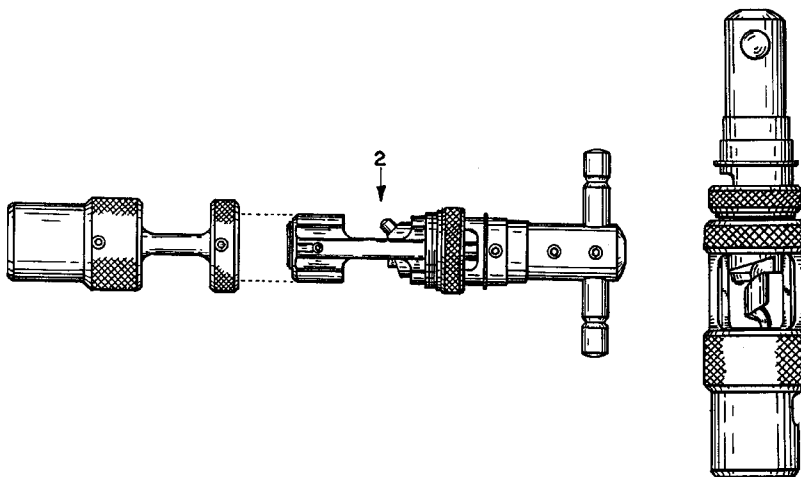
FIG. 8 is a right side elevational view of the coring portion of the design of this invention.

FIG. 9 is a top plan view of the design of this invention as seen in FIG. 1 showing the coring portion of the design assembled to the jacket removal portion of the design and with a coaxial cable stripped by the combination coring stripping, and jacket removal tool being shown in phantom; and,

FIG. 10 is a back elevational view of the design of this invention as seen in FIG. 4 showing the coring portion of the design assembled to the jacket removal portion of the design.

The broken lines in FIGS. 1-4 showing the exploded relationship of the two components and the broken line showing of coaxial cable in FIG. 9 are for illustrative purposes only and form no part of the claimed design.

1 Claim, 2 Drawing Sheets



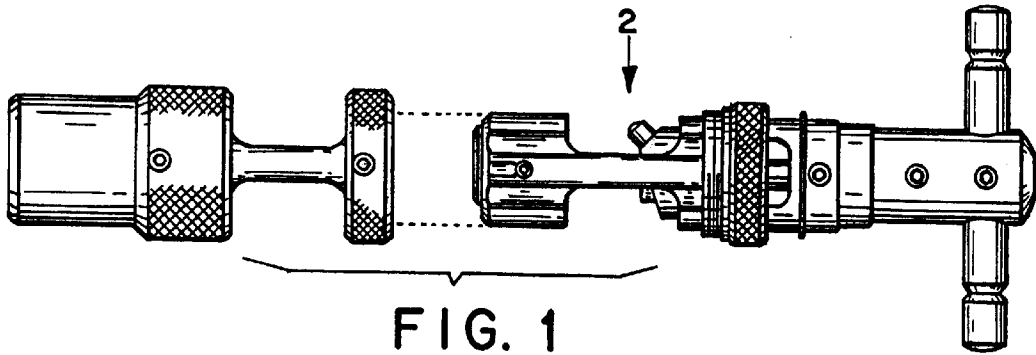


FIG. 1

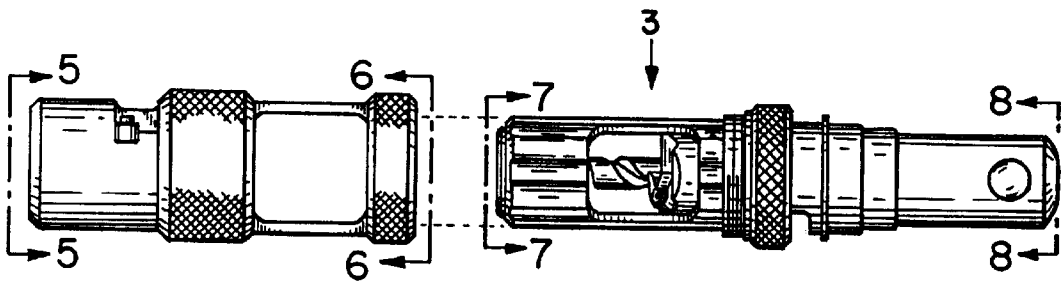


FIG. 2

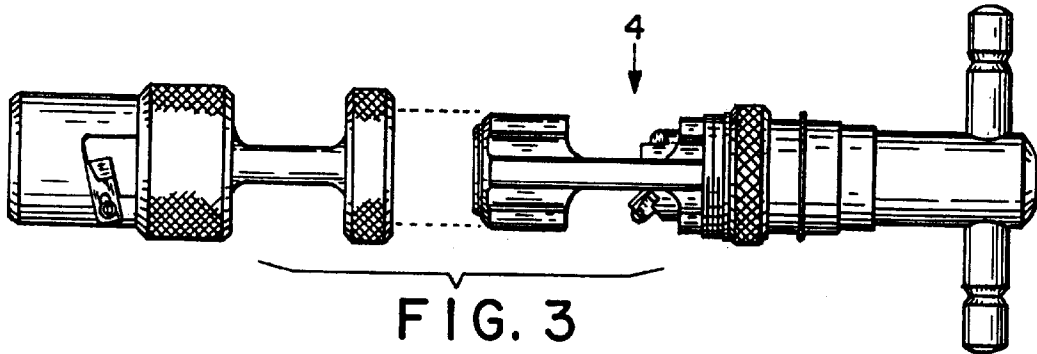


FIG. 3

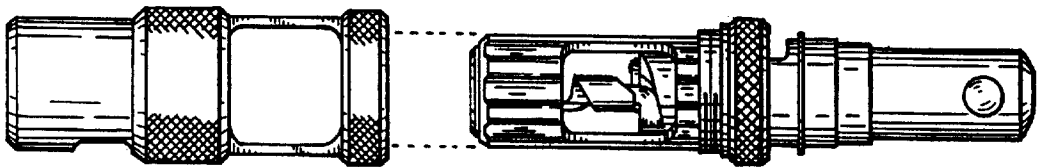


FIG. 4

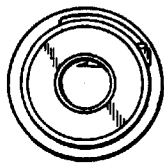


FIG. 5



FIG. 6

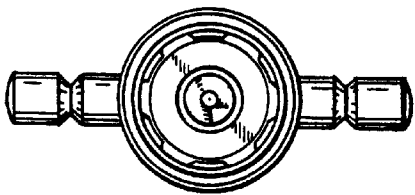


FIG. 7

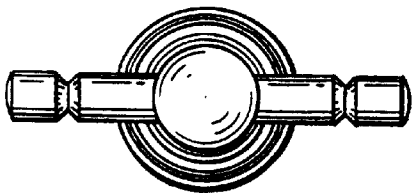


FIG. 8

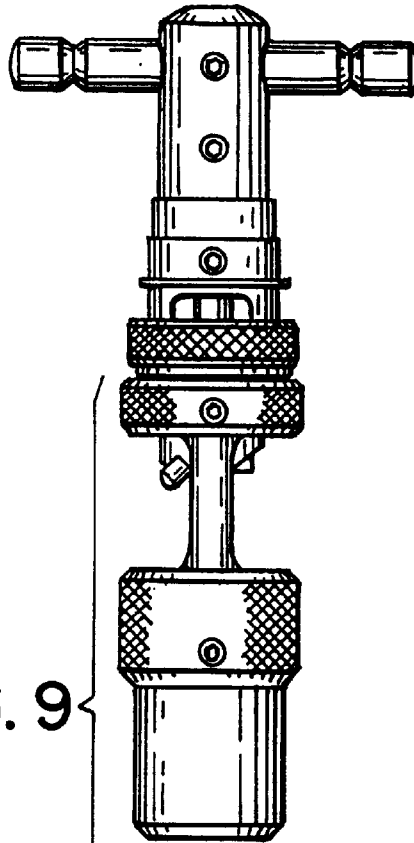


FIG. 9

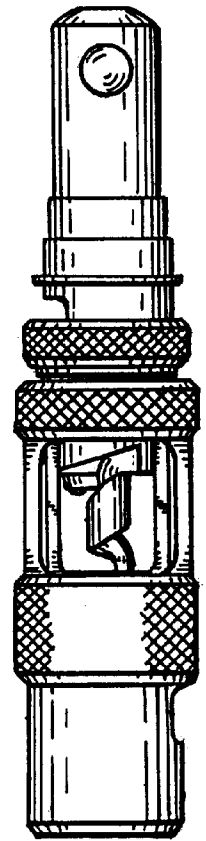
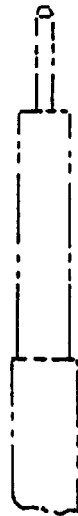


FIG. 10