



(12) **United States Design Patent**  
**Adolph et al.**

(10) **Patent No.:** **US D993,466 S**  
(45) **Date of Patent:** **\*\* Jul. 25, 2023**

(54) **LUMINAIRE**  
(71) Applicant: **Zumtobel Lighting GmbH**, Dornbirn (AT)  
(72) Inventors: **Klaus Adolph**, Bonn (DE); **Wilfried Kramb**, Cologne (DE)  
(73) Assignee: **ZUMTOBEL LIGHTING GMBH**, Dornbirn (AT)

D585,581 S \* 1/2009 Purcell ..... D26/76  
D586,764 S \* 2/2009 Uemoto ..... D13/180  
D623,781 S \* 9/2010 Uemoto ..... D26/1  
D663,865 S \* 7/2012 Betsuda ..... D26/1  
D668,796 S \* 10/2012 Elkins ..... D26/1  
D703,841 S \* 4/2014 Feng ..... D26/1  
D806,926 S \* 1/2018 Goetz-Schaefer ..... D26/76  
D912,873 S \* 3/2021 Hsu ..... D26/72  
(Continued)

(\*\*) Term: **15 Years**  
(21) Appl. No.: **29/733,864**

CN 306144248 \* 10/2020

(22) Filed: **May 7, 2020**

Instagram, "zumtobel\_light", first available Jul. 16, 2018. (<https://www.instagram.com/p/BISsS6LDGMh/>) (Year: 2018).\*

(30) **Foreign Application Priority Data**

OTHER PUBLICATIONS

Nov. 11, 2019 (EM) ..... 007216155

(51) **LOC (14) Cl.** ..... **26-03**

(52) **U.S. Cl.**  
USPC ..... **D26/24**

(58) **Field of Classification Search**  
USPC ..... D26/1, 24, 72, 74, 75, 76, 78, 118, 119, D26/120, 121, 122, 138, 141  
CPC ..... F21L 2/00; F21L 4/00; F21L 4/02; F21L 4/025; F21L 4/027; F21L 14/00; F21S 2/00; F21S 8/00; F21S 8/026; F21S 8/03; F21S 8/033; F21S 8/035; F21S 6/002; F21S 6/004; F21S 8/036; F21S 8/037; F21S 9/00; F21S 9/02; F21V 21/10; F21V 21/108; F21W 2121/008; H01K 7/00; H01K 7/02; A01G 7/045  
See application file for complete search history.

(Continued)

*Primary Examiner* — Leanne Was-Englehart  
*Assistant Examiner* — Justin A Johnson  
(74) *Attorney, Agent, or Firm* — Scully, Scott, Murphy & Presser, P.C.

(56) **References Cited**

(57) **CLAIM**

U.S. PATENT DOCUMENTS

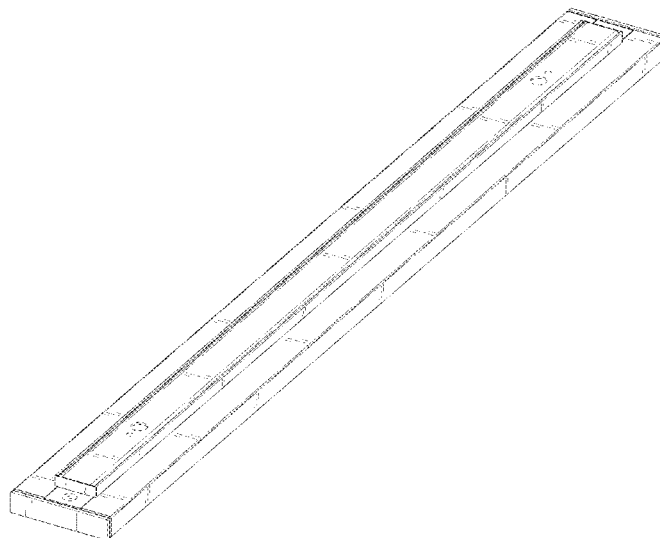
D565,753 S \* 4/2008 Uemoto ..... D26/1  
D580,889 S \* 11/2008 Uemoto ..... D13/180  
D584,848 S \* 1/2009 Menke ..... D26/76

The ornamental design for a luminaire, as shown and described.

**DESCRIPTION**

FIG. 1 is a perspective view of the luminaire showing my new and ornamental design;  
FIG. 2 is a side elevation view thereof;  
FIG. 3 is an alternate side elevation view thereof;  
FIG. 4 is a front elevation view thereof;  
FIG. 5 is a back elevation view thereof;  
FIG. 6 is a top plan view thereof; and,  
FIG. 7 is a bottom plan view thereof.  
The portions of the luminaire shown in broken lines in the figures attached hereto form no part of the claimed design.

**1 Claim, 7 Drawing Sheets**



(56)

**References Cited**

U.S. PATENT DOCUMENTS

D927,758 S \* 8/2021 Jordan ..... D26/74  
D937,465 S \* 11/2021 Qi ..... D26/76

OTHER PUBLICATIONS

Amazon, "TychoLite 4FT LED Light Fixture", first available Apr. 14, 2020. (<https://www.amazon.com/dp/B0872VNV29/?th=1>) (Year: 2020).\*

Amazon, "4FT 50W LED Wraparound Light", first available May 10, 2020. (<https://www.amazon.com/dp/B088DX3QPS/?th=1>) (Year: 2020).\*

Home Depot, "2 ft 400-Watt Equivalent Integrated LED", first available Aug. 17, 2020. (<https://www.homedepot.com/p/ETi-2-ft-400-Watt-Equivalent-Integrated-LED-Dimmable-White-Linear-High-Bay-Light-5000K-Daylight-24000-Lumens-180-Watt-50241161/312996247>) (Year: 2020).\*

\* cited by examiner

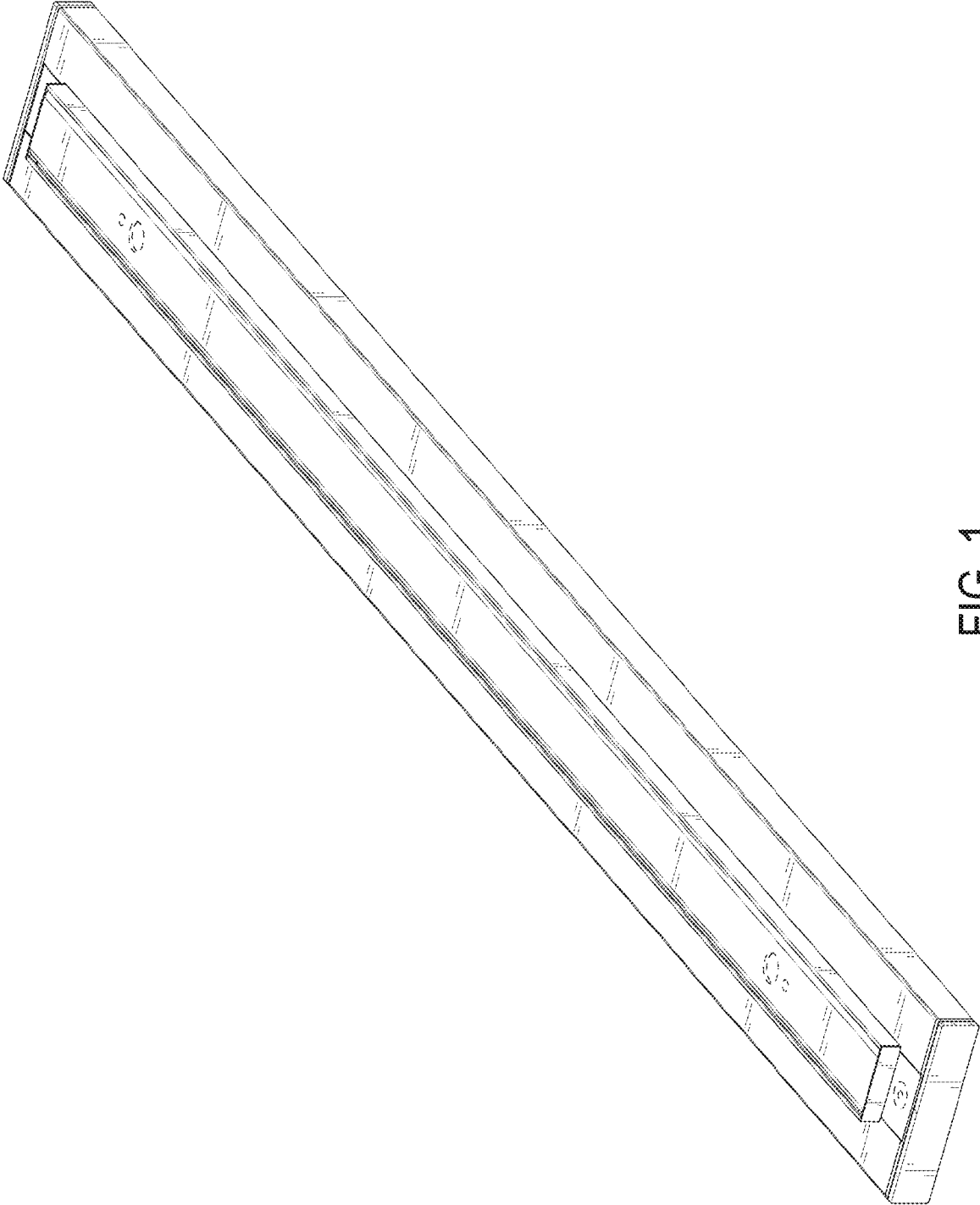


FIG. 1



FIG. 2



FIG. 3

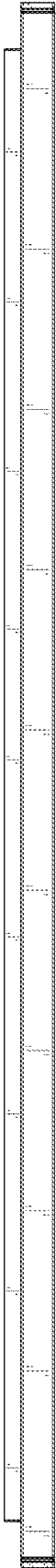


FIG. 4

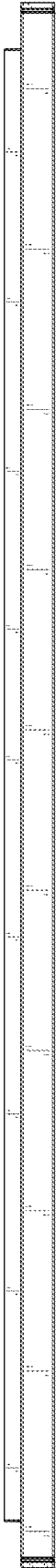


FIG. 5

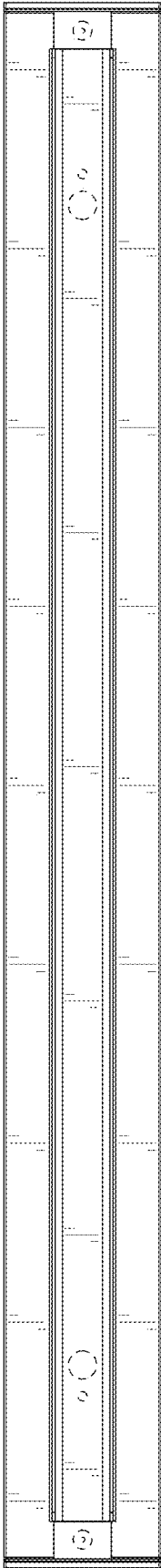


FIG. 6



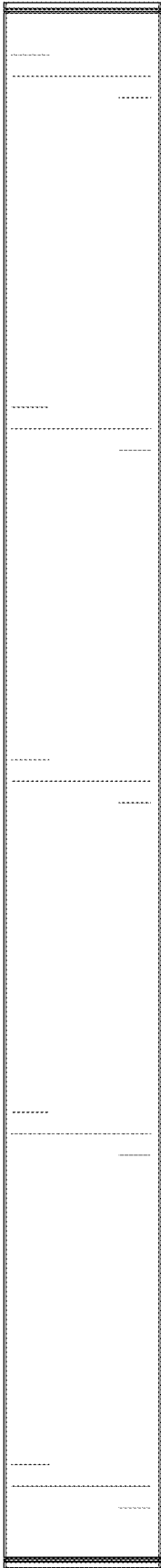


FIG. 7