



US00D467621S

(12) **United States Design Patent**  
**Ku**

(10) **Patent No.:** **US D467,621 S**

(45) **Date of Patent:** **\*\* Dec. 24, 2002**

(54) **HANDHELD ELECTRONIC GAME CASE GRIPPER**

6,171,191 B1 \* 1/2001 Ogata et al. .... 273/148 B  
6,241,247 B1 \* 6/2001 Sternberg et al. .... 273/148 B  
6,342,009 B1 \* 1/2002 Soma ..... 463/47

(76) Inventor: **Man To Ku**, 1263 Oakglen Ave.,  
Arcadia, CA (US) 91006

\* cited by examiner

(\*\*) Term: **14 Years**

*Primary Examiner*—Prabhakar Deshmukh  
(74) *Attorney, Agent, or Firm*—Raymond Y. Chan; David  
and Raymond Patent Group

(21) Appl. No.: **29/147,890**

(57) **CLAIM**

(22) Filed: **Dec. 10, 2001**

The ornamental design for a handheld electronic game case gripper, as shown.

(51) **LOC (7) Cl.** ..... **21-01**

(52) **U.S. Cl.** ..... **D21/333; D14/454**

(58) **Field of Search** ..... D21/324, 333;  
D14/400, 401, 412-416, 454; 273/148 B;  
963/1, 29-38, 46, 47, 48; 345/156, 161,  
905; 200/5 R, 5 A, 6 A, 6 R

**DESCRIPTION**

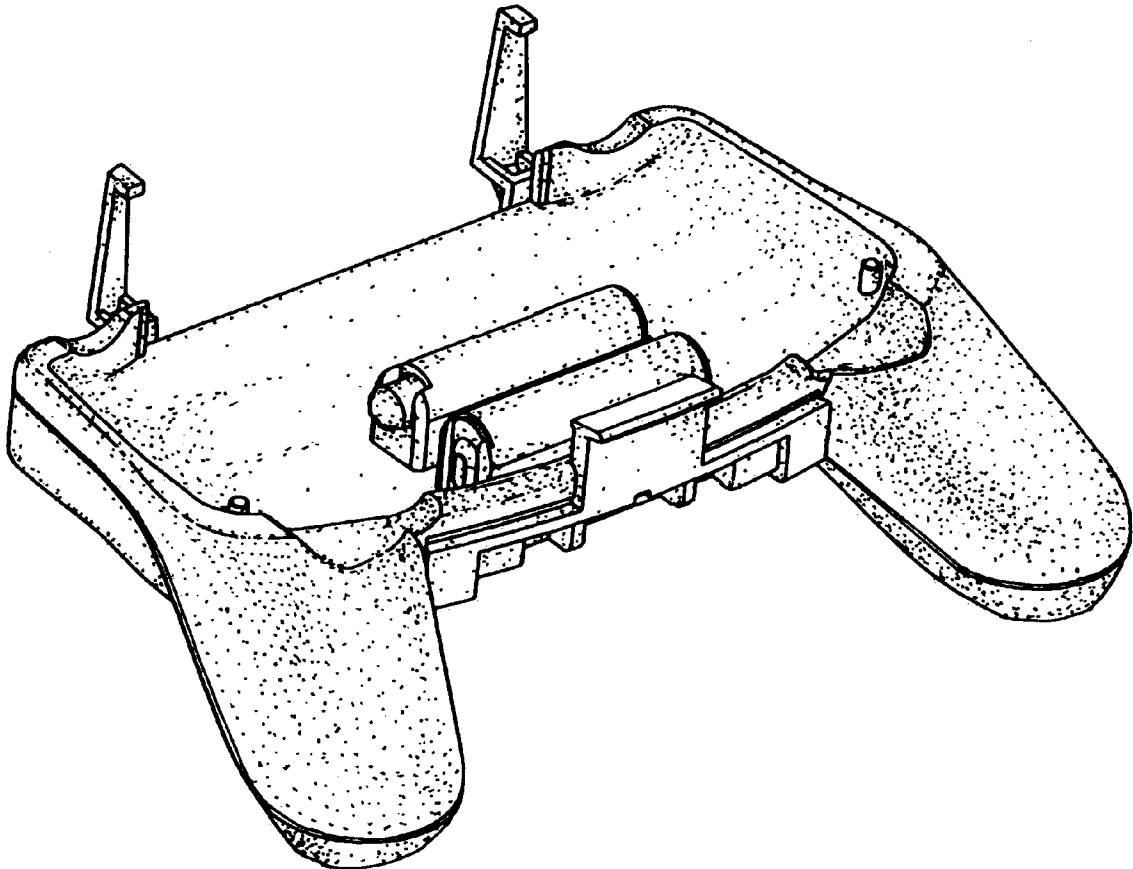
(56) **References Cited**

**U.S. PATENT DOCUMENTS**

5,046,739 A \* 9/1991 Reichow ..... 273/148 B  
D338,053 S \* 8/1993 Underbill et al. .... D14/454  
D367,295 S \* 2/1996 Hsieh ..... D14/454  
D393,015 S \* 3/1998 Kaneko et al. .... D14/454

FIG. 1 is a perspective view showing my new design.  
FIG. 2 is a front view thereof.  
FIG. 3 is a rear view thereof.  
FIG. 4 is a right end view thereof.  
FIG. 5 is a left end view thereof.  
FIG. 6 is a top view thereof.  
FIG. 7 is a bottom view thereof; and,  
FIG. 8 is a bottom perspective view thereof.

**1 Claim, 8 Drawing Sheets**



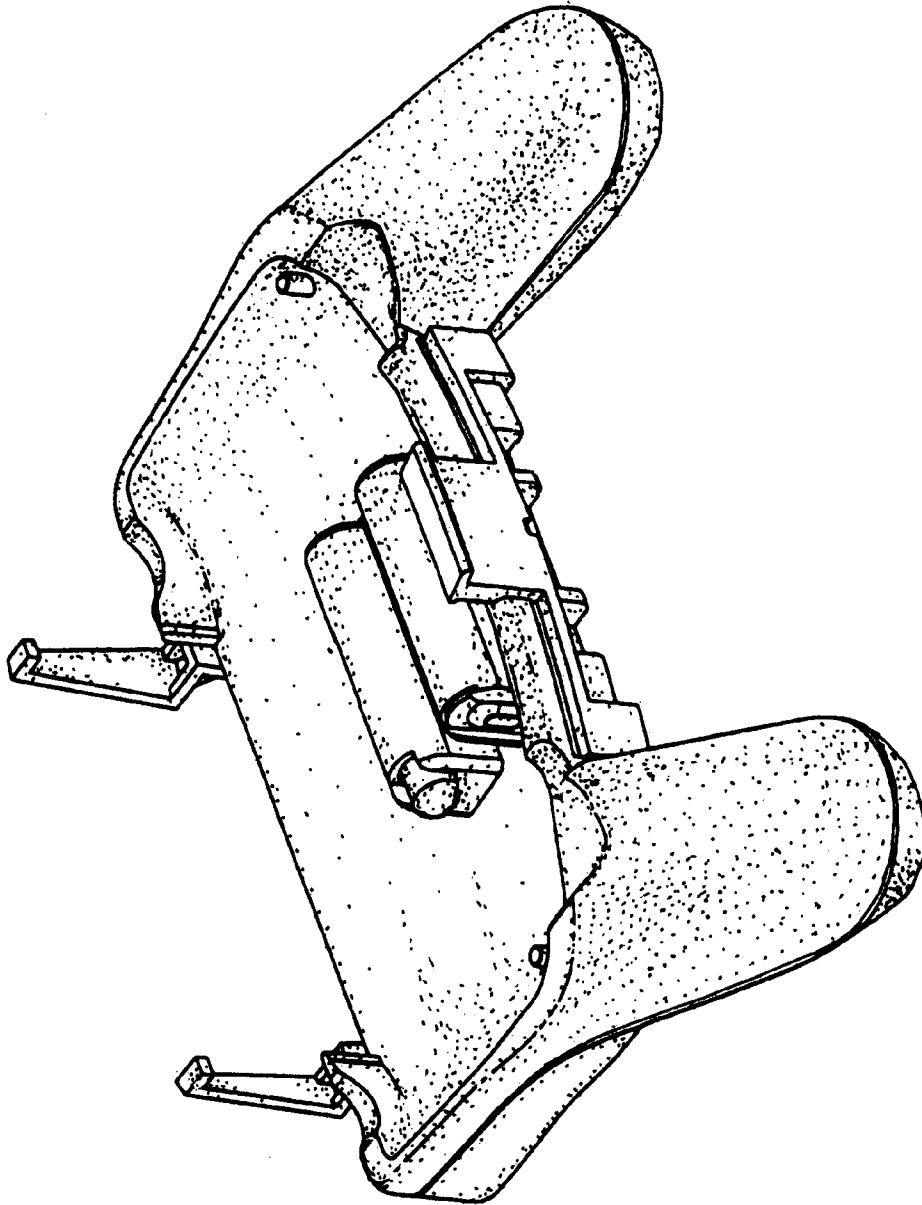


FIG. 1

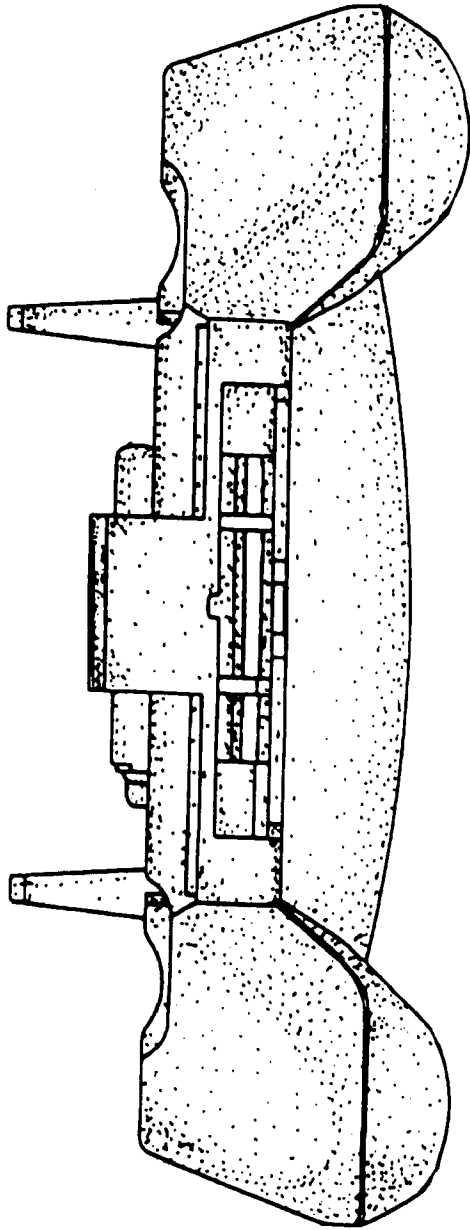


FIG. 2

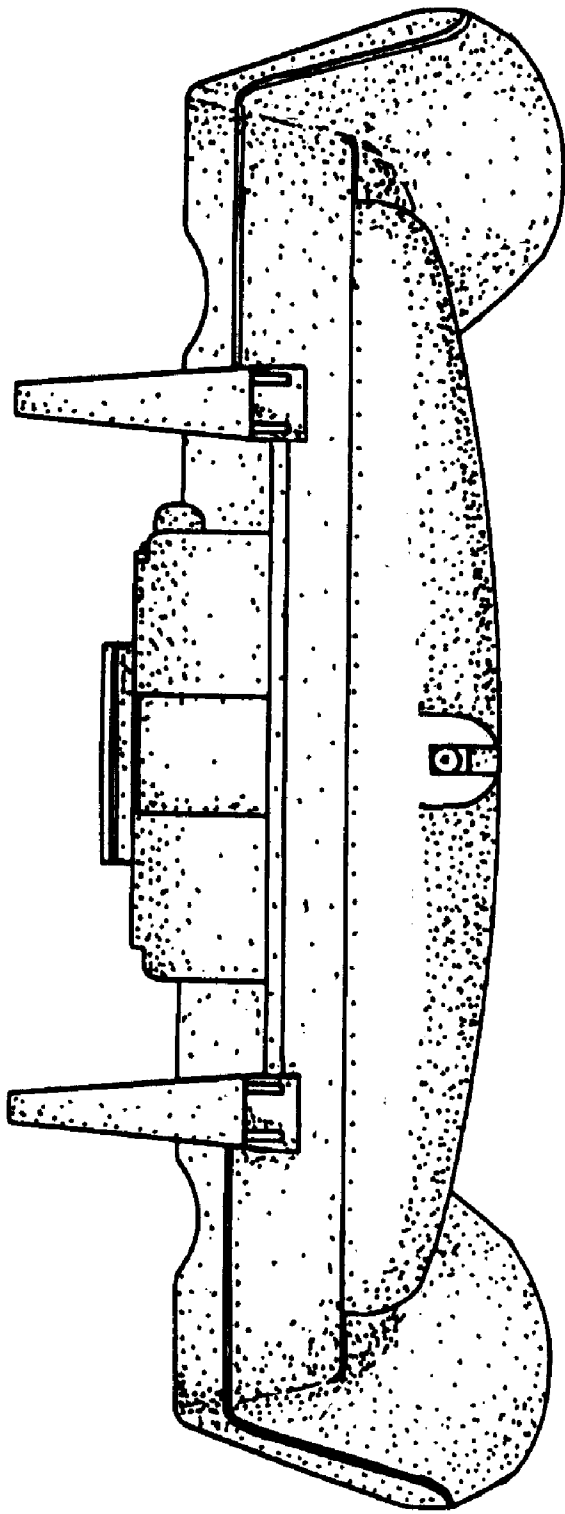


FIG. 3

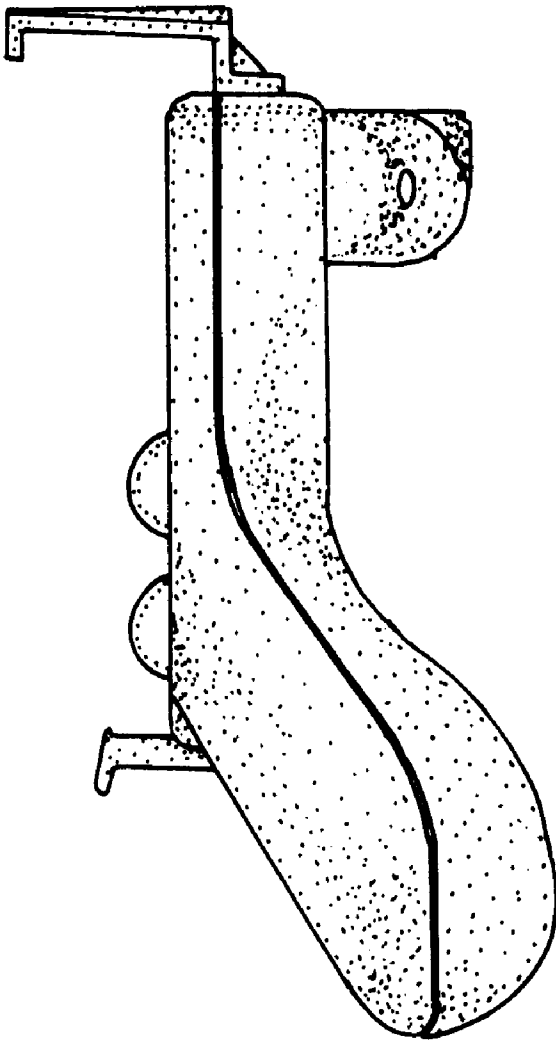


FIG. 4

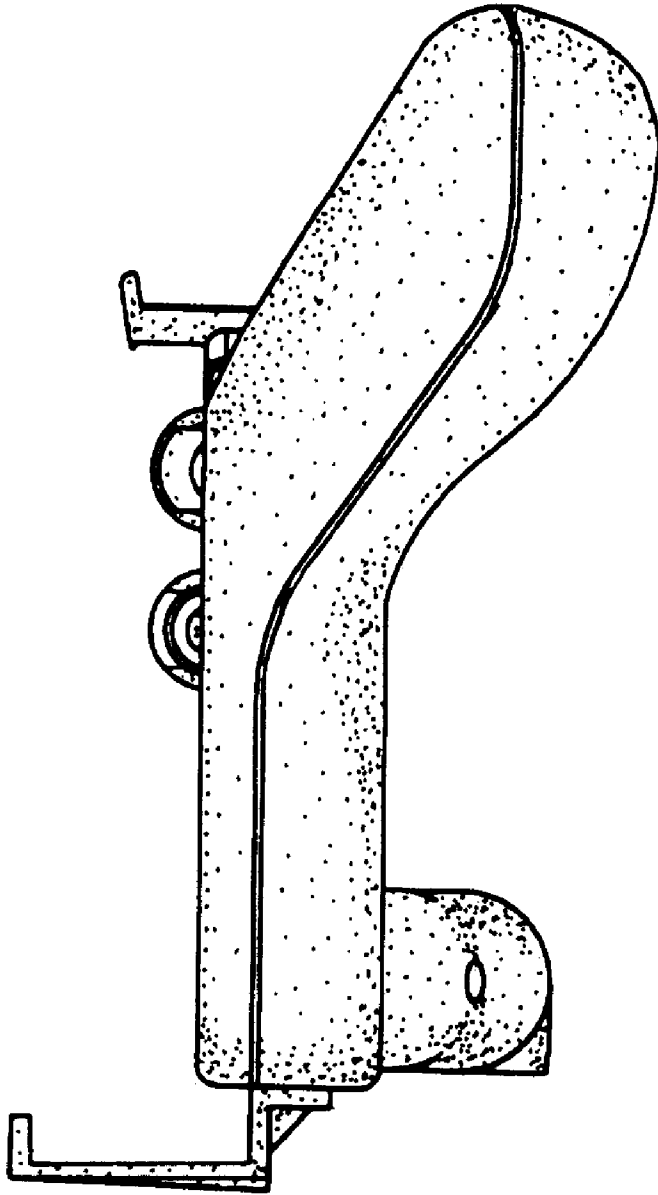


FIG. 5

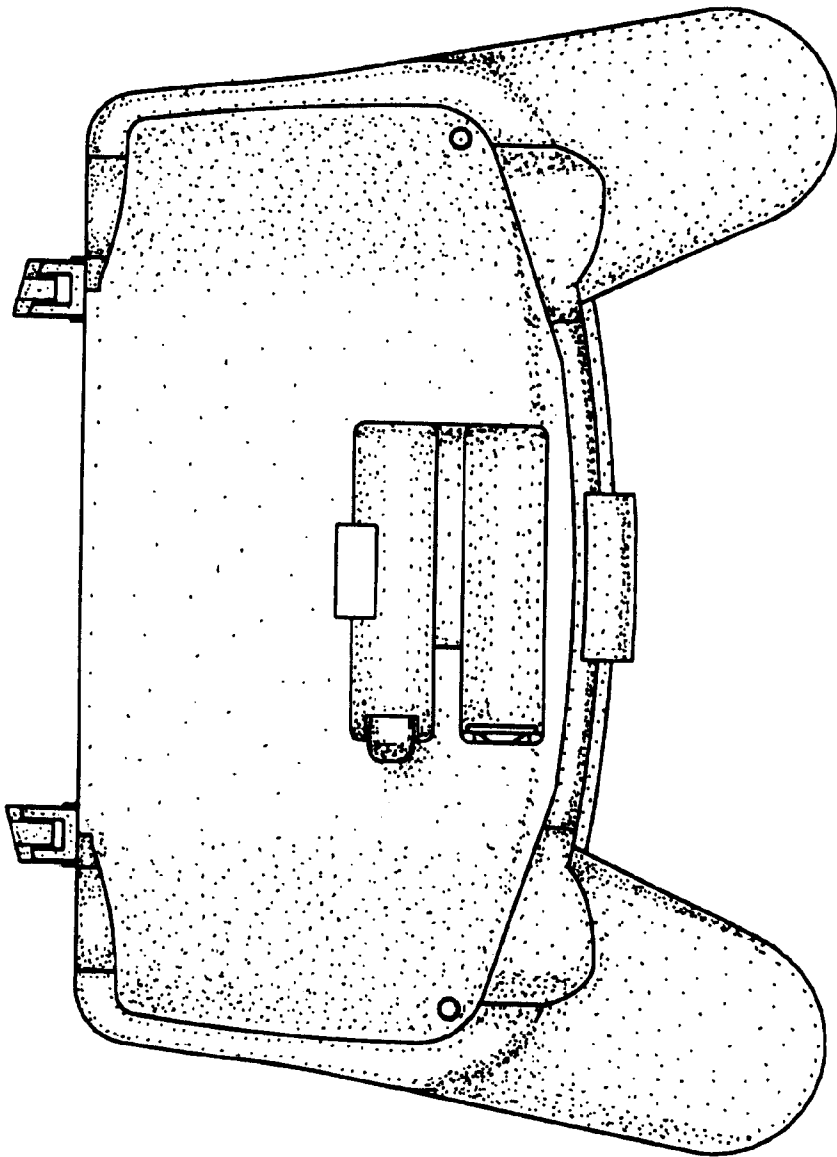


FIG. 6

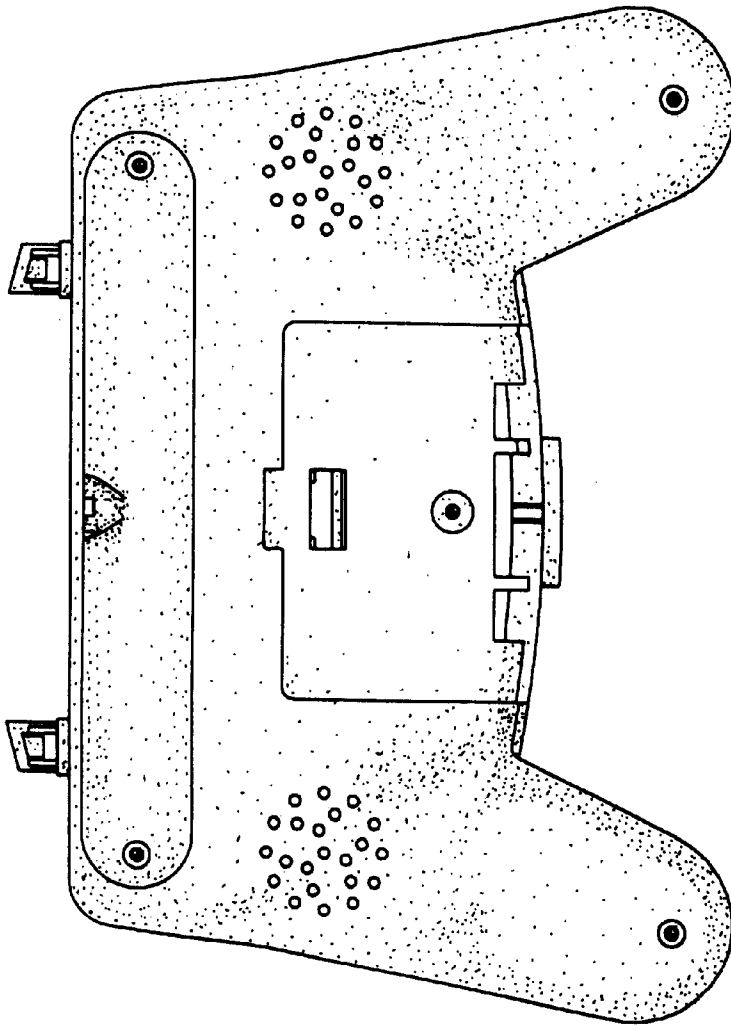


FIG. 7



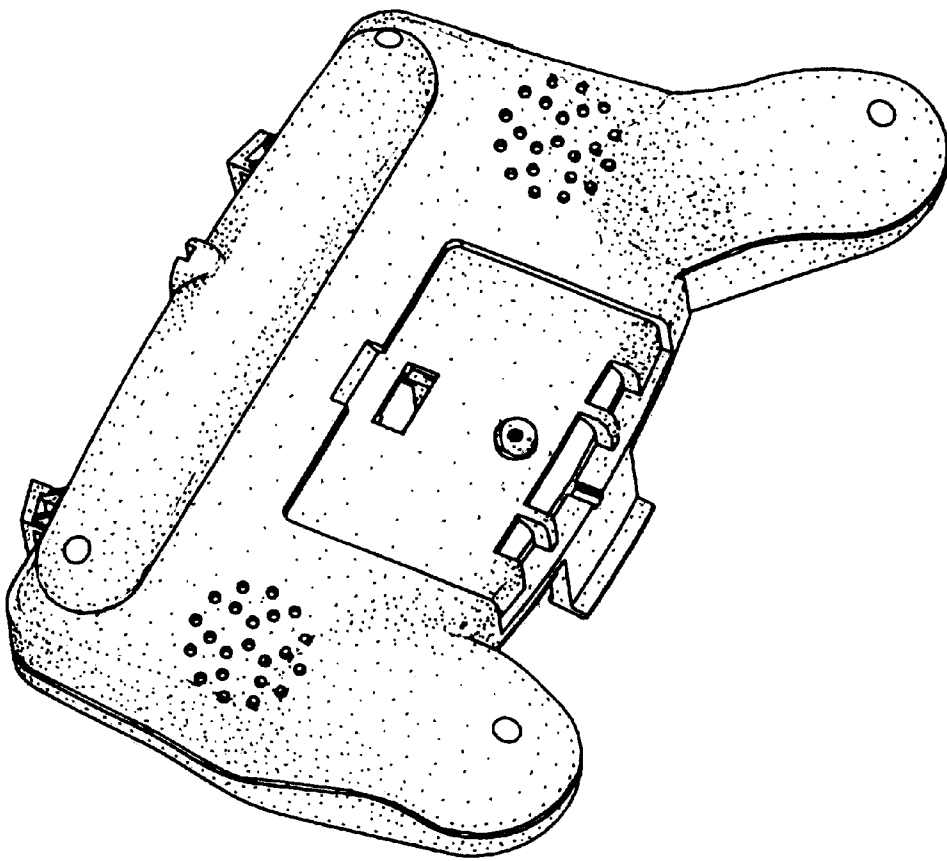


FIG. 8