



US0D1048544S

(12) **United States Design Patent**  
**Johnson et al.**

(10) **Patent No.:** **US D1,048,544 S**

(45) **Date of Patent:** **\*\* Oct. 22, 2024**

(54) **CONTAINER WITH A DETACHABLE TRAY**

**DESCRIPTION**

(71) Applicant: **Adakai Holdings, LLC**, Scottsdale, AZ (US)

(72) Inventors: **Chelsea Johnson**, Scottsdale, AZ (US);  
**Dustin Johnson**, Scottsdale, AZ (US)

(73) Assignee: **Adakai Holdings, LLC**, Scottsdale, AZ (US)

(\*\*) Term: **15 Years**

(21) Appl. No.: **29/793,290**

(22) Filed: **Nov. 24, 2020**

(51) **LOC (14) Cl.** ..... **27-06**

(52) **U.S. Cl.**

USPC ..... **D27/189**

(58) **Field of Classification Search**

USPC ..... D27/189, 173, 174, 183, 186; D9/414,  
D9/420, 421, 423, 430, 432, 433  
(Continued)

(56) **References Cited**

**U.S. PATENT DOCUMENTS**

D398,715 S \* 9/1998 Descalzo ..... D27/189  
D409,329 S \* 5/1999 Bucher ..... D27/189  
(Continued)

**OTHER PUBLICATIONS**

Cigar Cutter with Cigar Ashtray By: Lazysenpai found on Amazon (Feb. 15, 2024) <https://www.amazon.com/Cigar-Ashtray-Accessories-Detachable-Cigarettes/dp/B0CBKVVX721?th=1> (Nov. 14, 2023).\*

*Primary Examiner* — Rebecca Tsehaye

(74) *Attorney, Agent, or Firm* — KW Law, LLP

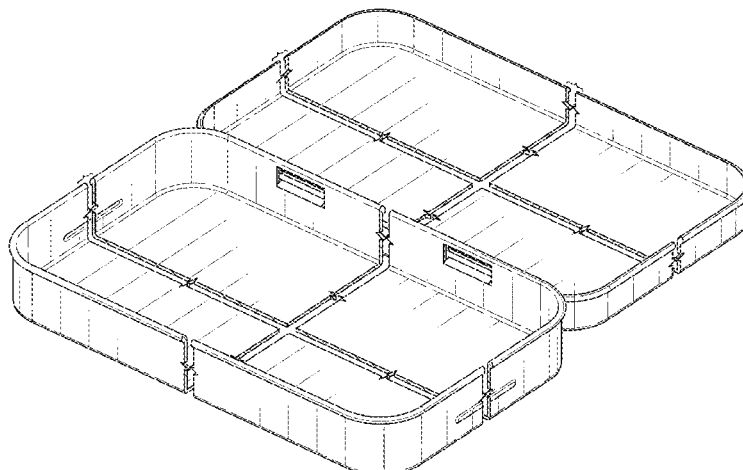
(57) **CLAIM**

The ornamental design for a container with a detachable tray, as shown and described.

FIG. 1 is a top-front perspective view of a container with a detachable tray in an open configuration with the detachable tray not depicted, in accordance with the present design; FIG. 2 is a front elevation view thereof; FIG. 3 is a back elevation view thereof; FIG. 4 is a left-side elevation view thereof; FIG. 5 is a right-side elevation view thereof; FIG. 6 is a top elevation view thereof; FIG. 7 is a bottom elevation view thereof; FIG. 8 is a top-front perspective view of the container with the detachable tray in a closed configuration with the tray not depicted, in accordance with the present design; FIG. 9 is a front elevation view thereof; FIG. 10 is a back elevation view thereof; FIG. 11 is a left-side elevation view thereof; FIG. 12 is a right-side elevation view thereof; FIG. 13 is a top elevation view thereof; and FIG. 14 is a bottom elevation view thereof; FIG. 15 is a top-front perspective view of the detachable tray detached from the container and with the container not depicted, in accordance with the present design; FIG. 16 is a front elevation view thereof; FIG. 17 is a back elevation view thereof; FIG. 18 is a left-side elevation view thereof; FIG. 19 is a right-side elevation view thereof; FIG. 20 is a top elevation view thereof; and FIG. 21 is a bottom elevation view thereof; FIG. 22 is a top-front perspective view of the container with the detachable tray in a closed configuration with the tray attached, in accordance with the present design; FIG. 23 is a bottom back perspective view thereof; FIG. 24 is a top-front perspective view of the container with the detachable tray in an open configuration with the tray attached, in accordance with the present design; FIG. 25 is a bottom-back perspective view thereof; FIG. 26 is a top-front perspective view of the container with the detachable tray in an open configuration with the tray detached, in accordance with the present design; and FIG. 27 is a bottom-back perspective view thereof.

The broken lines shown in the drawings depict portions of the container with a detachable tray that form no part of the claimed design. The container with a detachable tray is

(Continued)



shown with a symbolic break in its length. The appearance of any portion of the article between the break lines forms no part of the claimed design.

**1 Claim, 21 Drawing Sheets**

(58) **Field of Classification Search**

CPC ..... A24F 15/00; A24F 15/02; A24F 15/12;  
A24F 15/18; B65B 19/00; B65B 19/02;  
B65B 19/18; B65B 19/20; B65B 19/11;  
B65B 19/34

See application file for complete search history.

(56) **References Cited**

U.S. PATENT DOCUMENTS

D612,094	S	*	3/2010	Bellamah .....	D27/189
D734,535	S	*	7/2015	Dyer .....	D27/189
D853,023	S	*	7/2019	Bailey .....	D27/189
D889,739	S	*	7/2020	Ringrose .....	D27/186
D891,693	S	*	7/2020	Godwin, III .....	D27/186
D943,823	S	*	2/2022	Yang .....	D27/189
D951,636	S	*	5/2022	Li .....	D3/295
D980,516	S	*	3/2023	Slate .....	D27/189
D980,517	S	*	3/2023	Slate .....	D27/189
D981,036	S	*	3/2023	Slate .....	D27/189
D982,824	S	*	4/2023	Cash .....	D27/183
D1,001,501	S	*	10/2023	Dugoni .....	D3/294
D1,009,357	S	*	12/2023	Yang .....	D27/189

\* cited by examiner

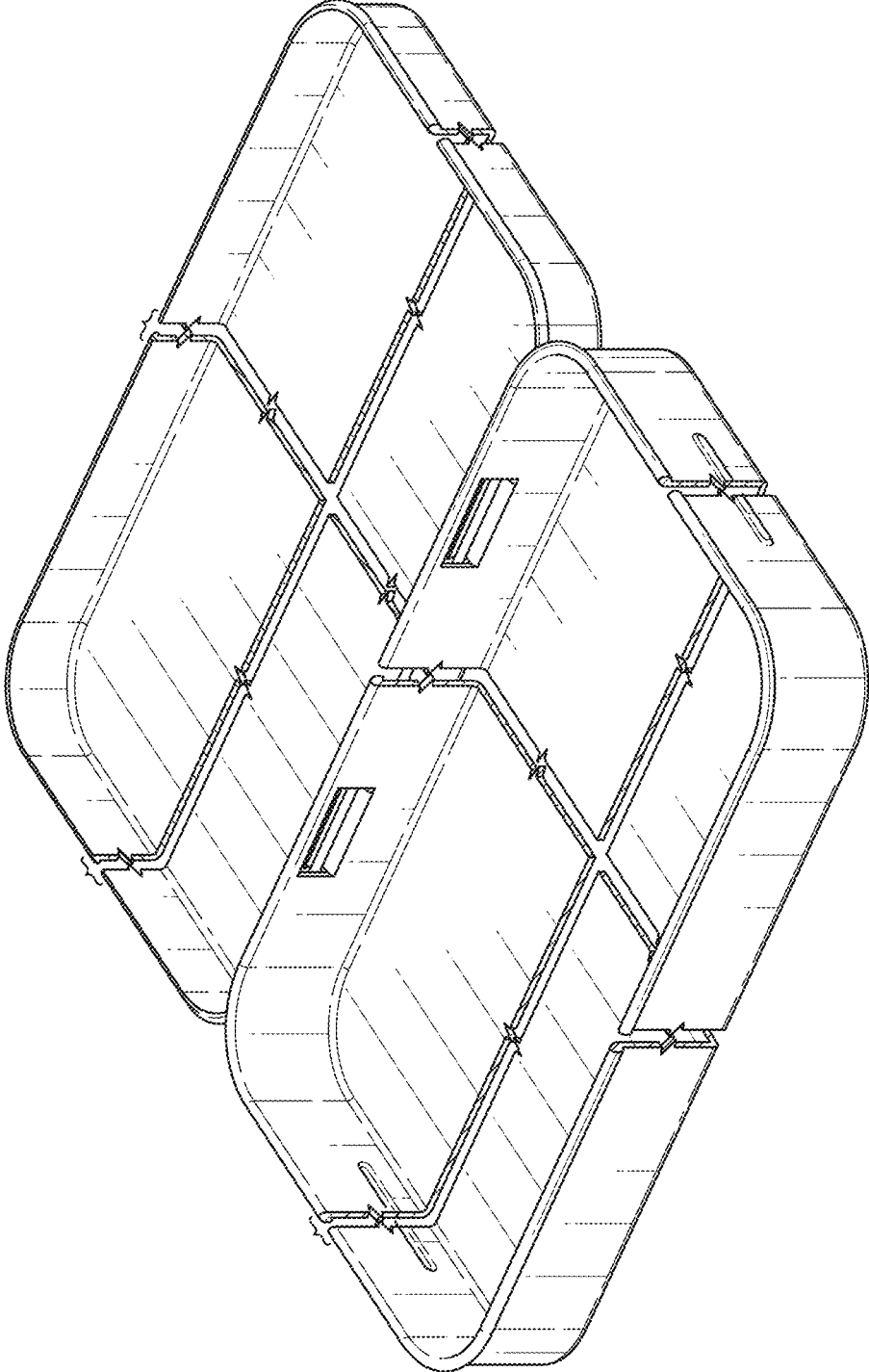


FIG. 1

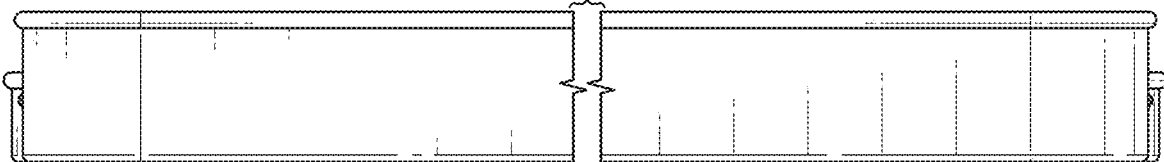


FIG. 2

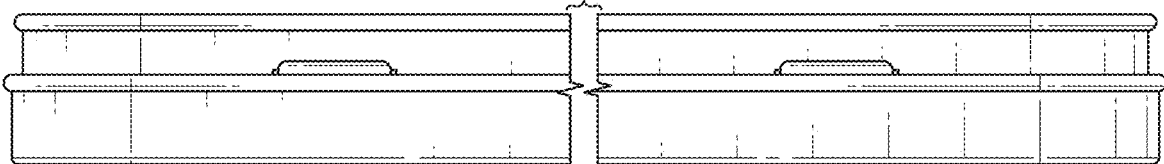


FIG. 3

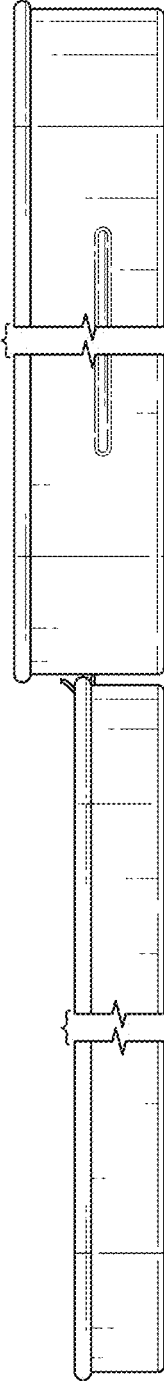


FIG. 4

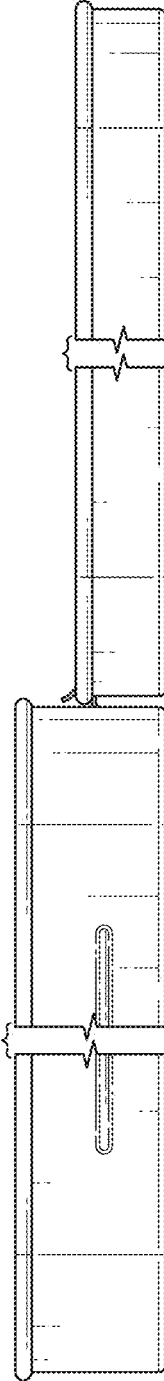


FIG. 5

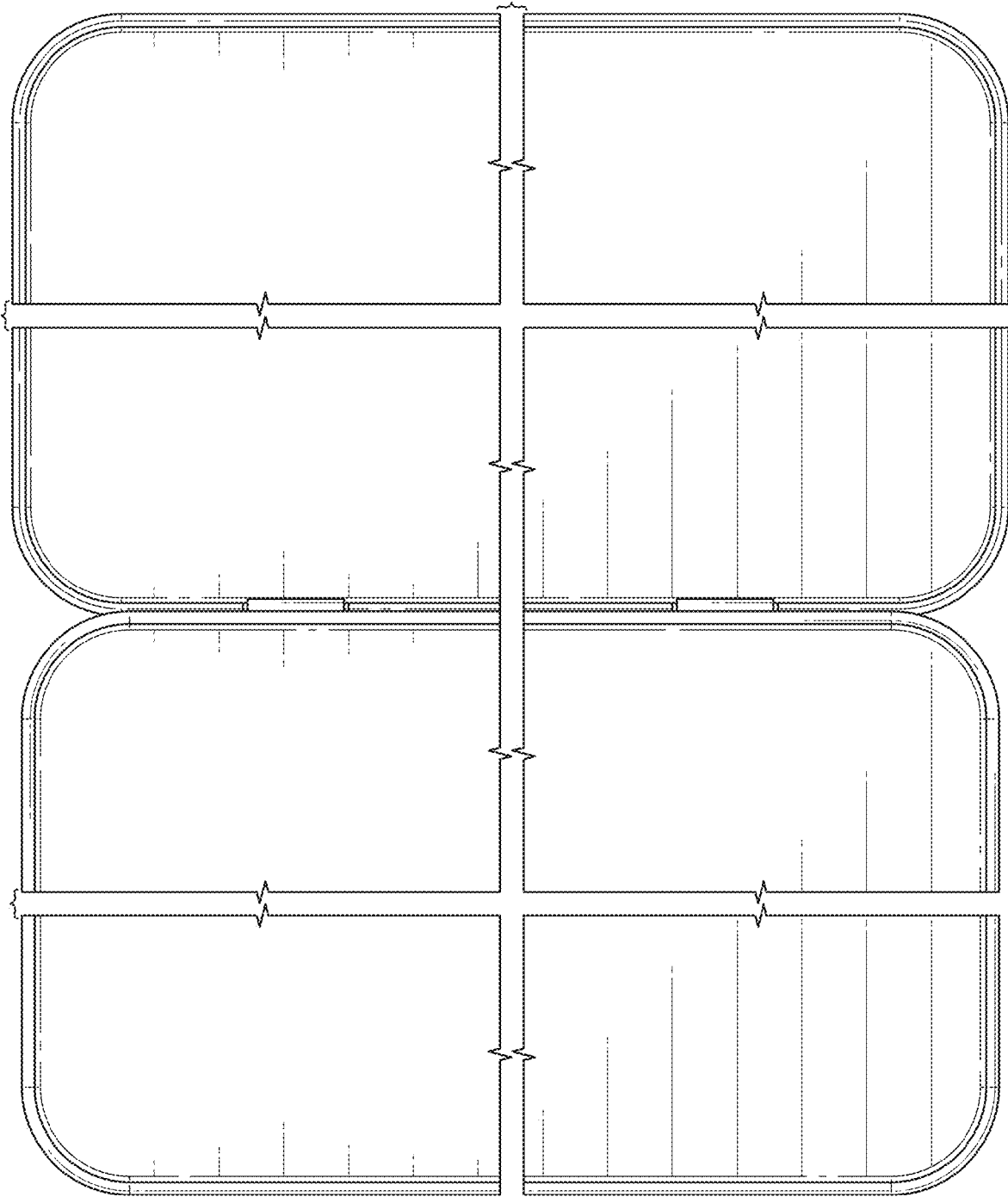


FIG. 6

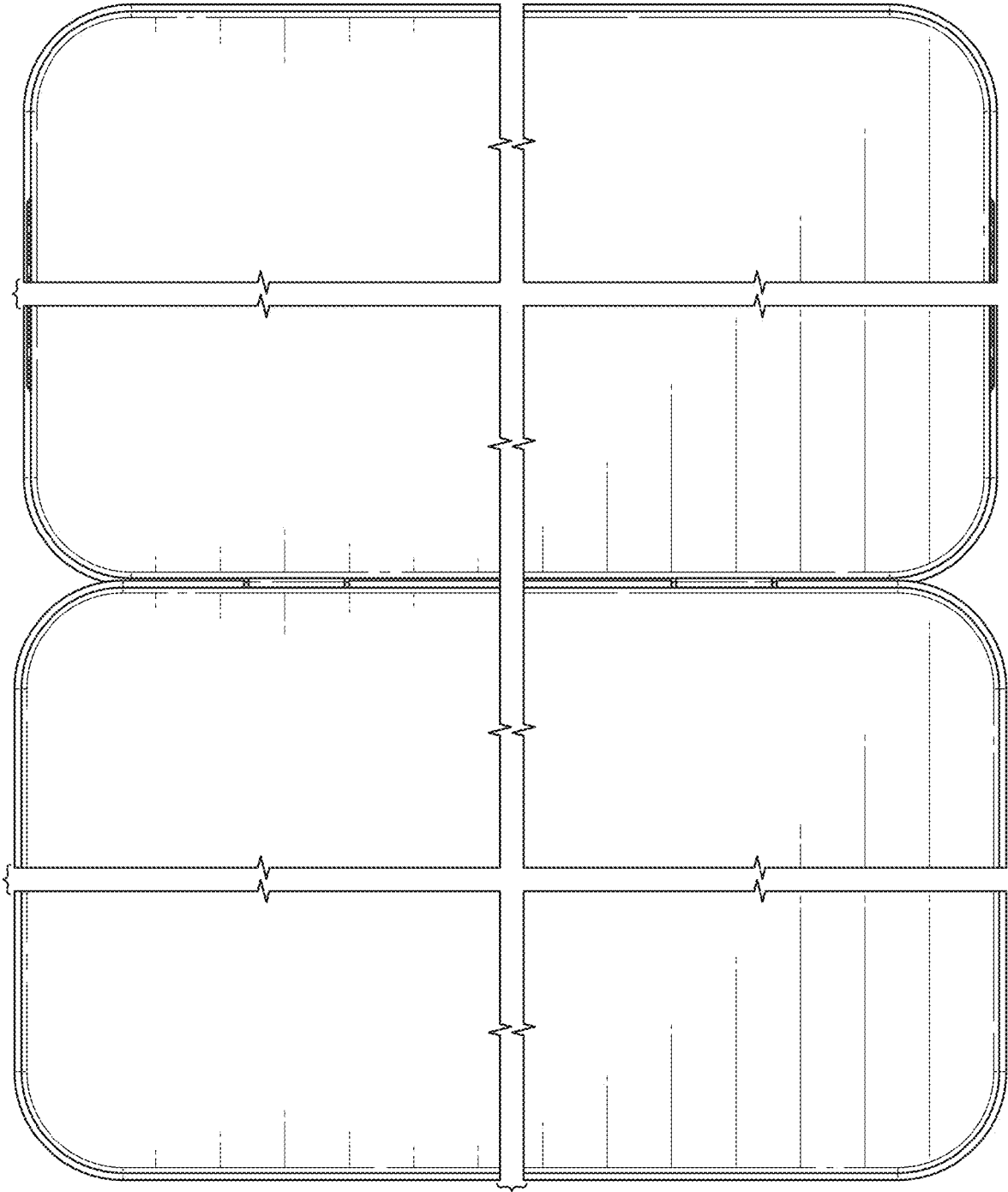


FIG. 7

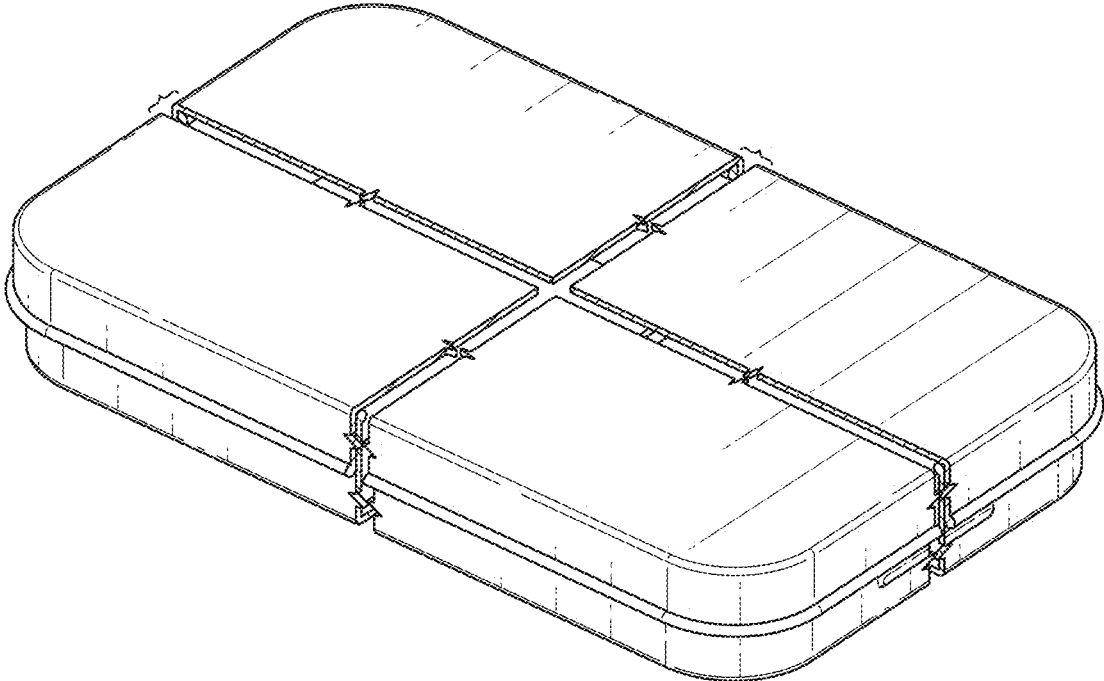


FIG. 8



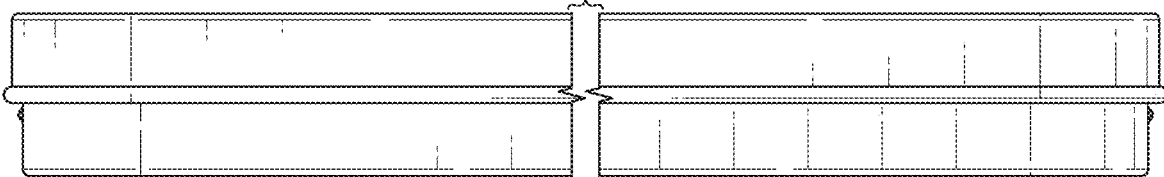


FIG. 9

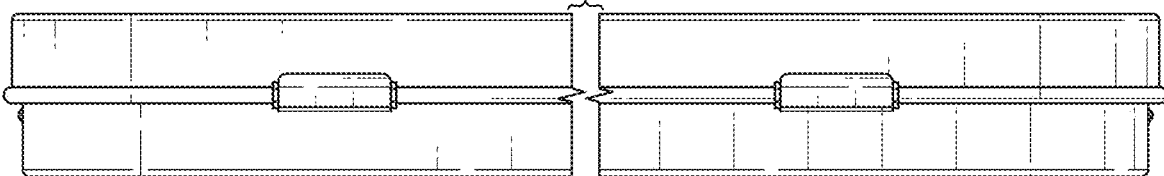


FIG. 10

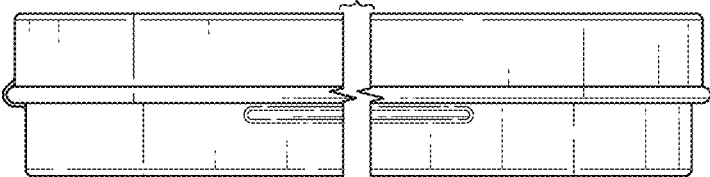


FIG. 11

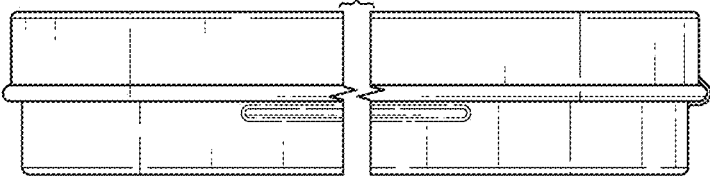


FIG. 12

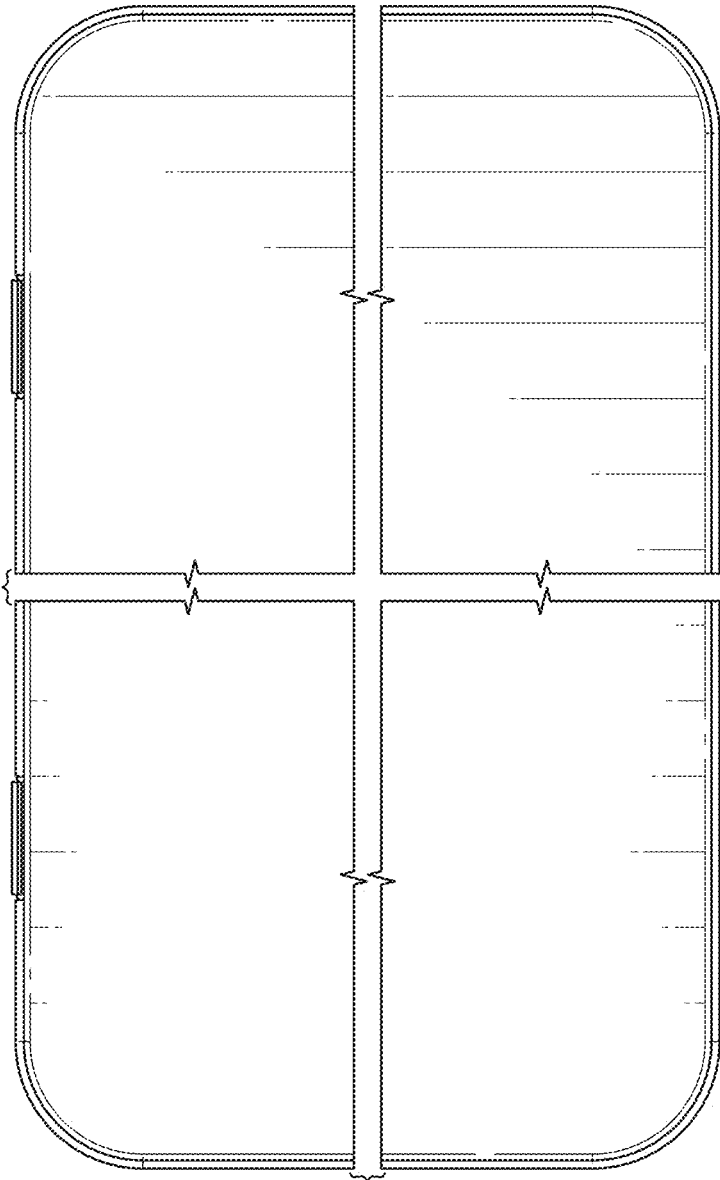


FIG. 13

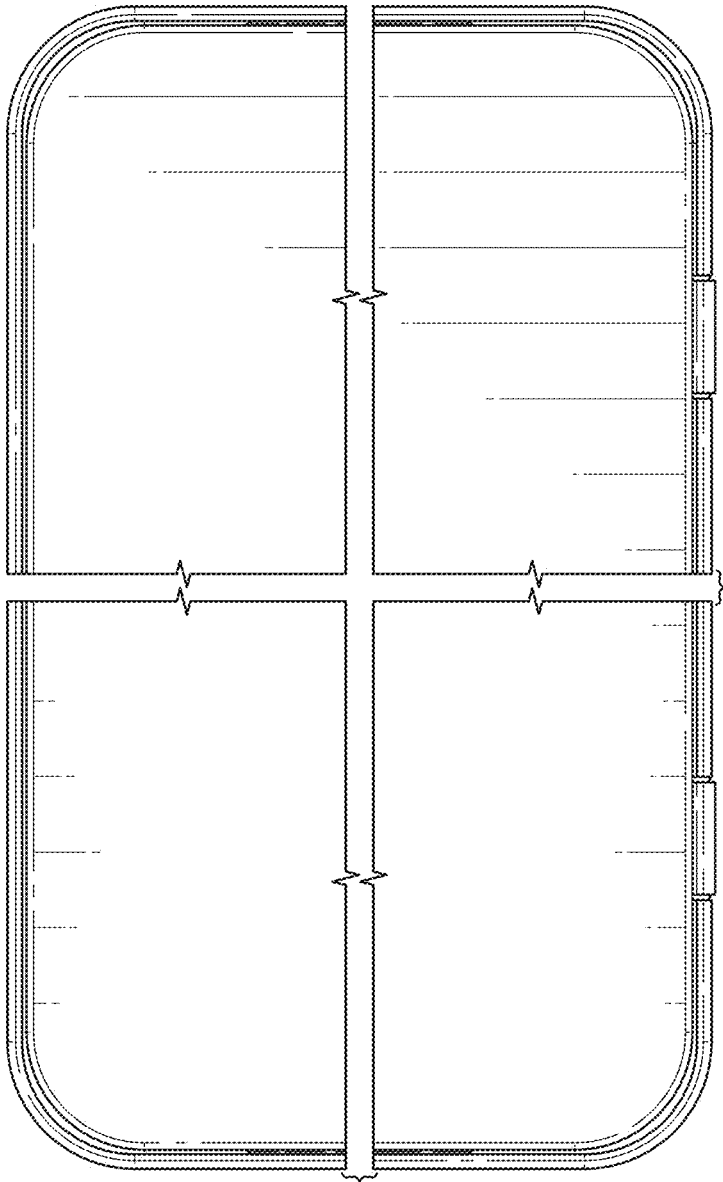


FIG. 14

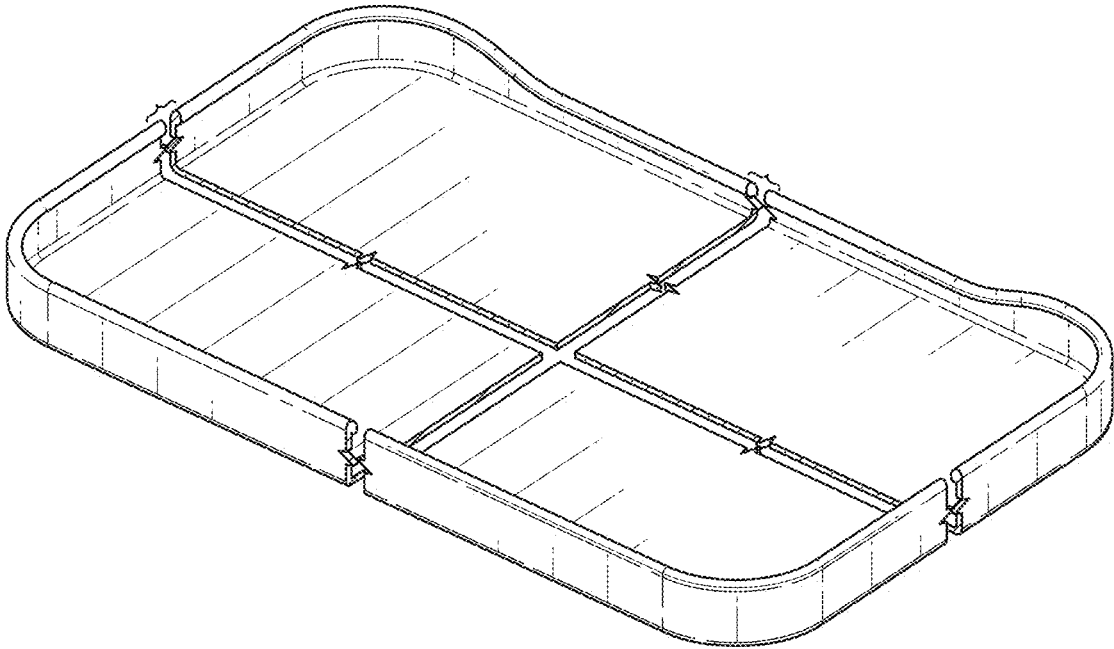


FIG. 15

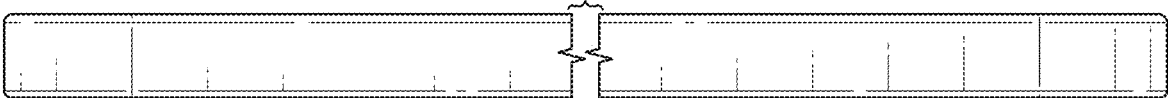


FIG. 16

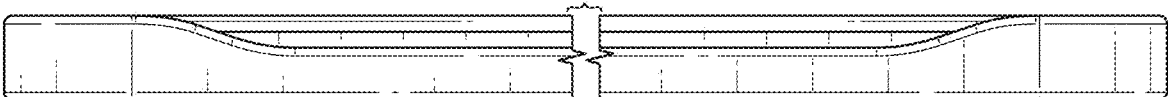


FIG. 17

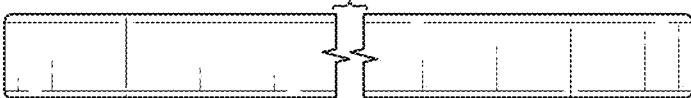


FIG. 18

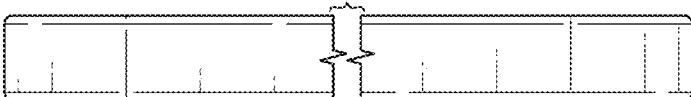


FIG. 19

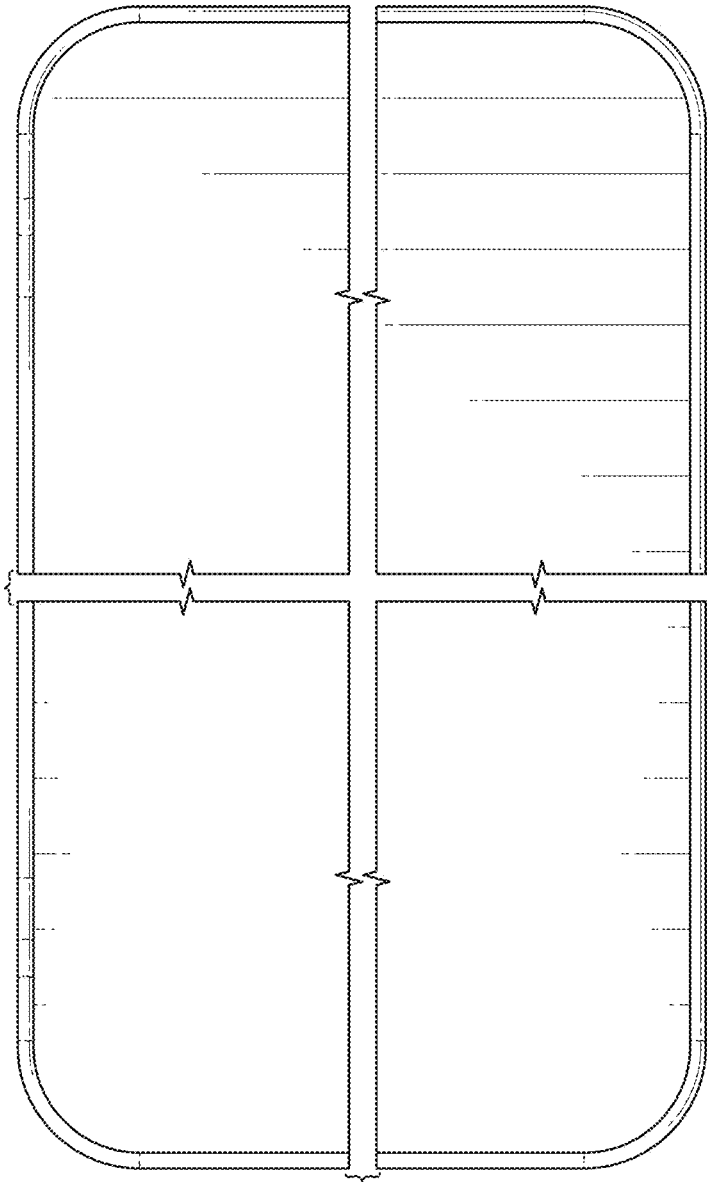


FIG. 20



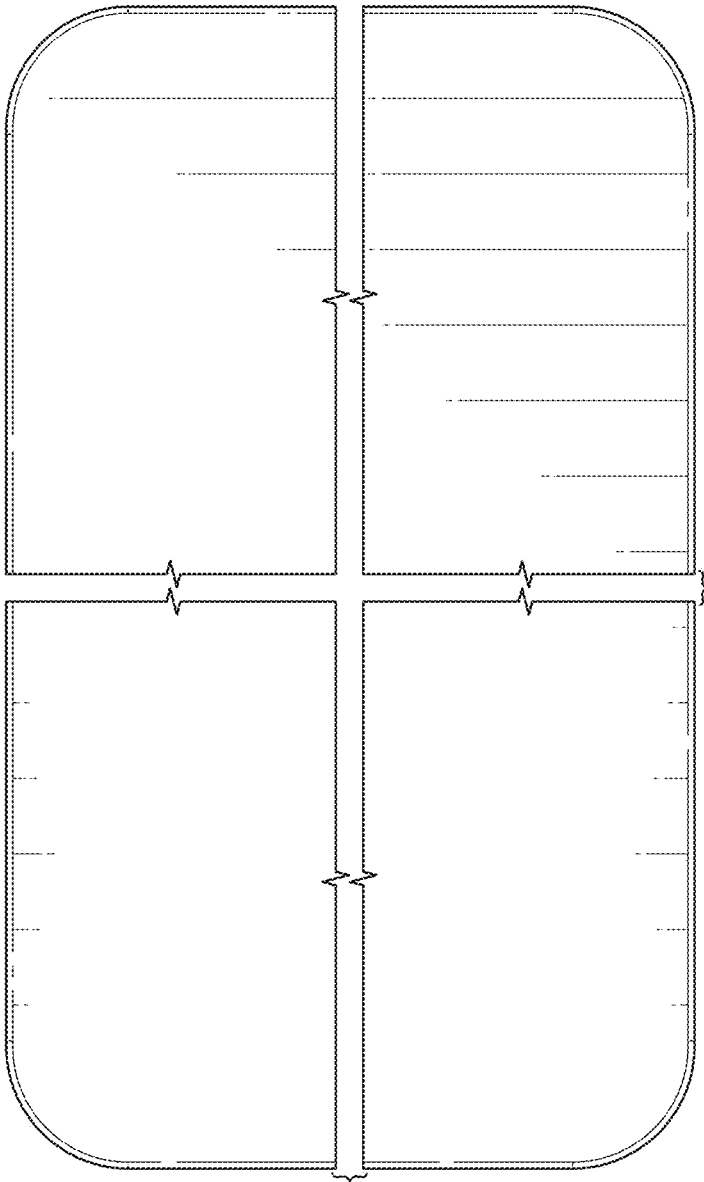


FIG. 21

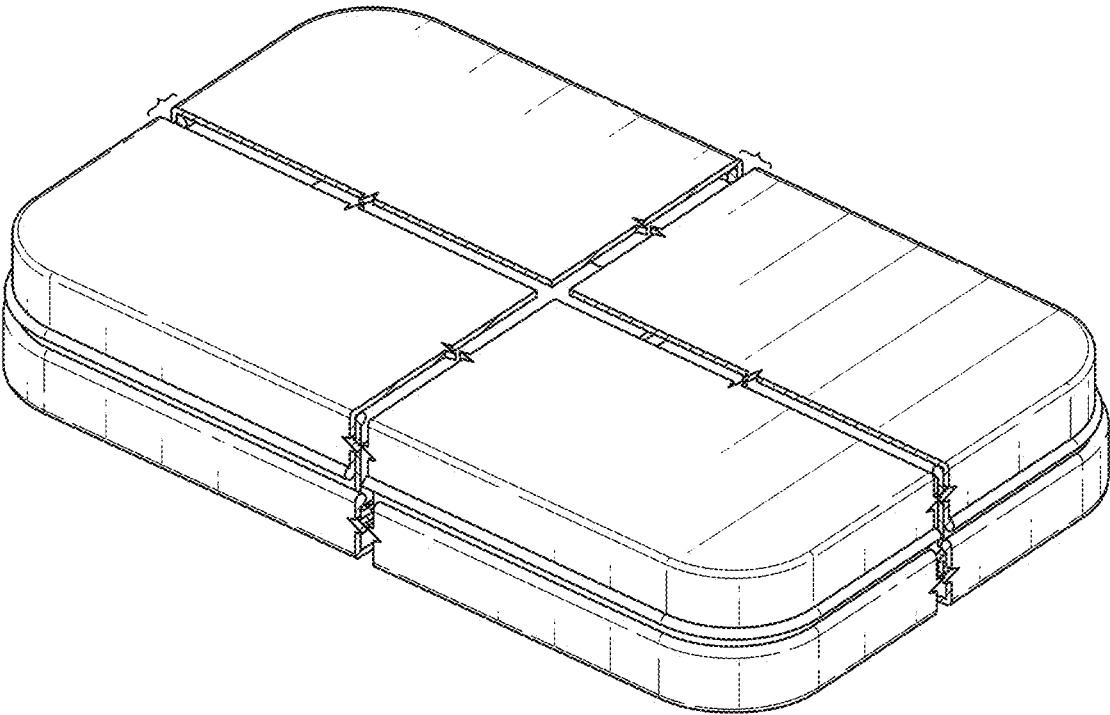


FIG. 22

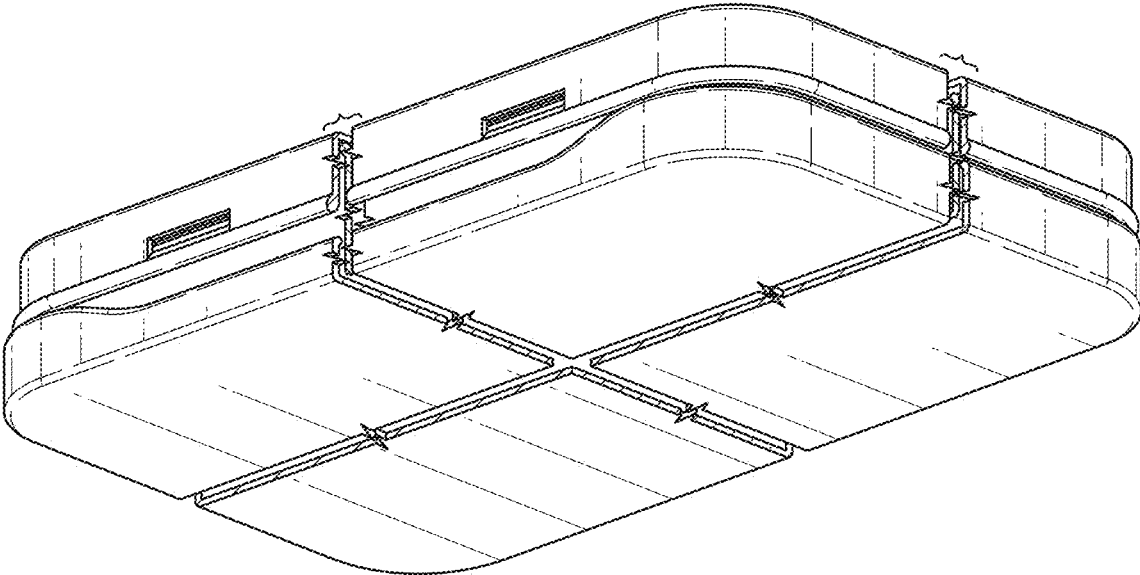


FIG. 23

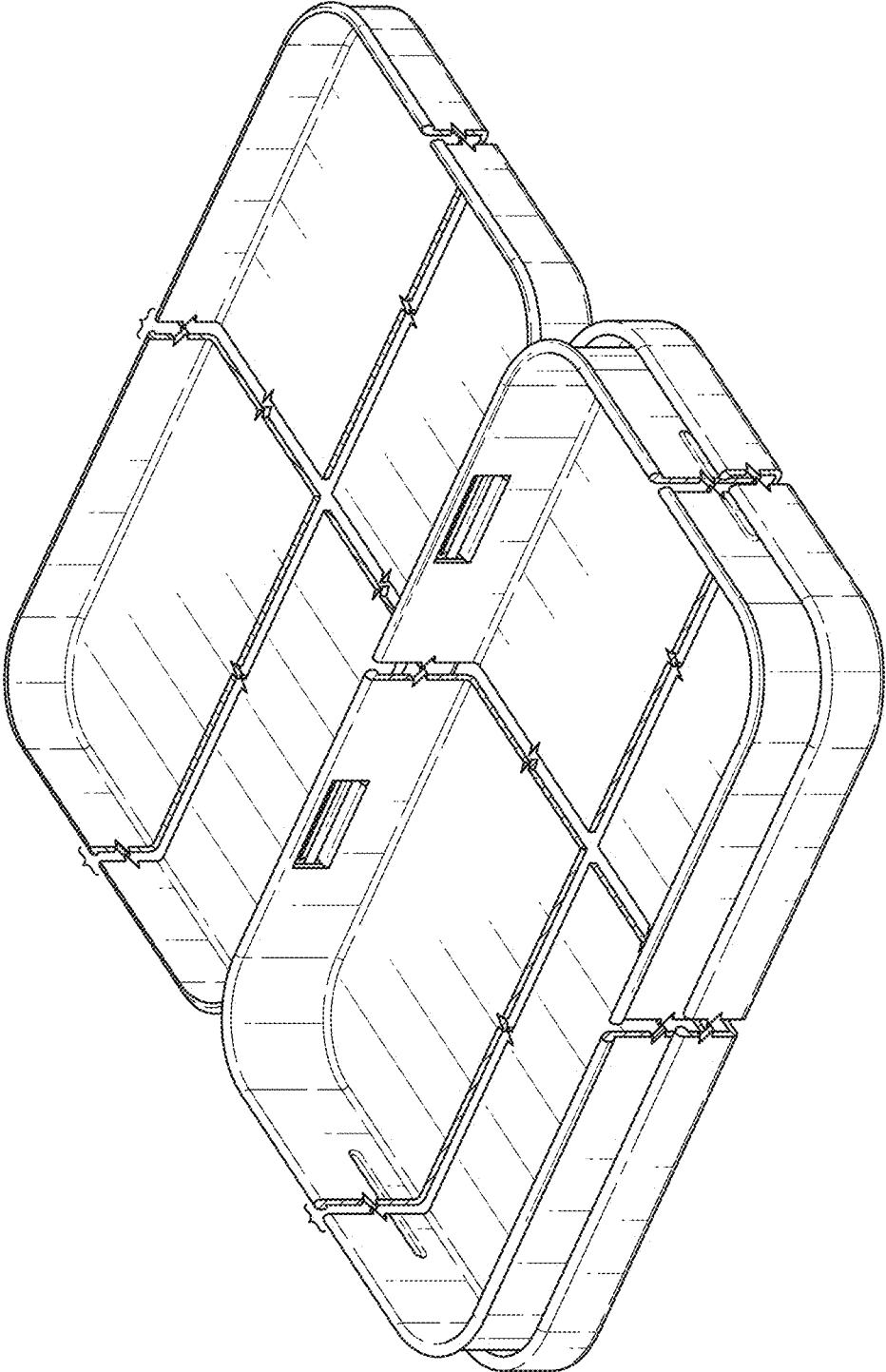


FIG. 24

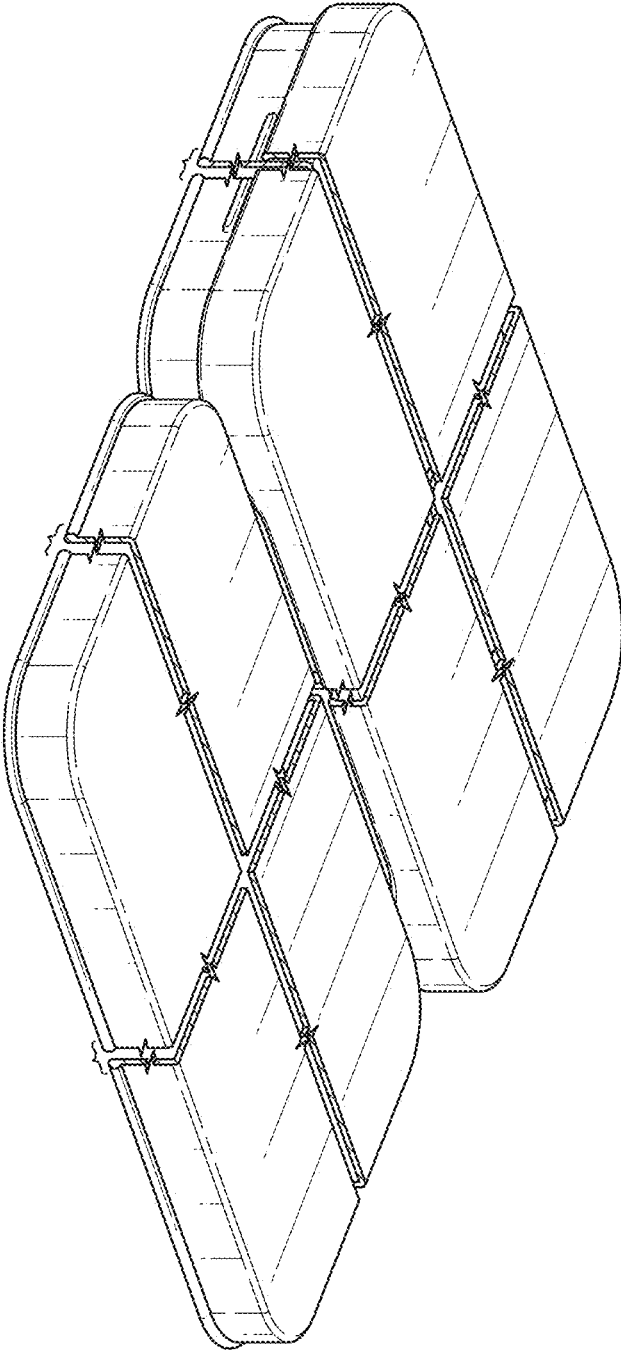


FIG. 25

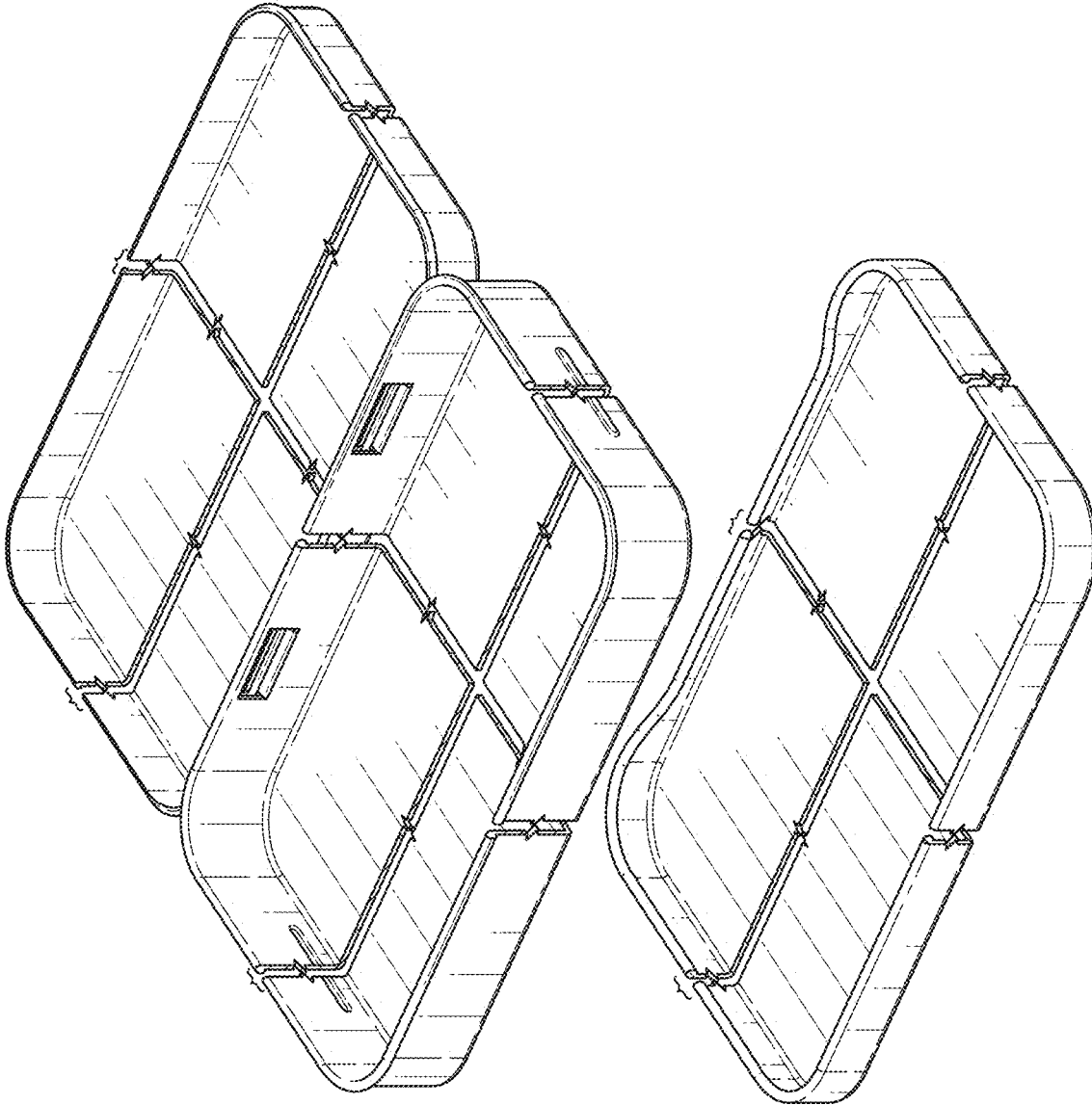


FIG. 26

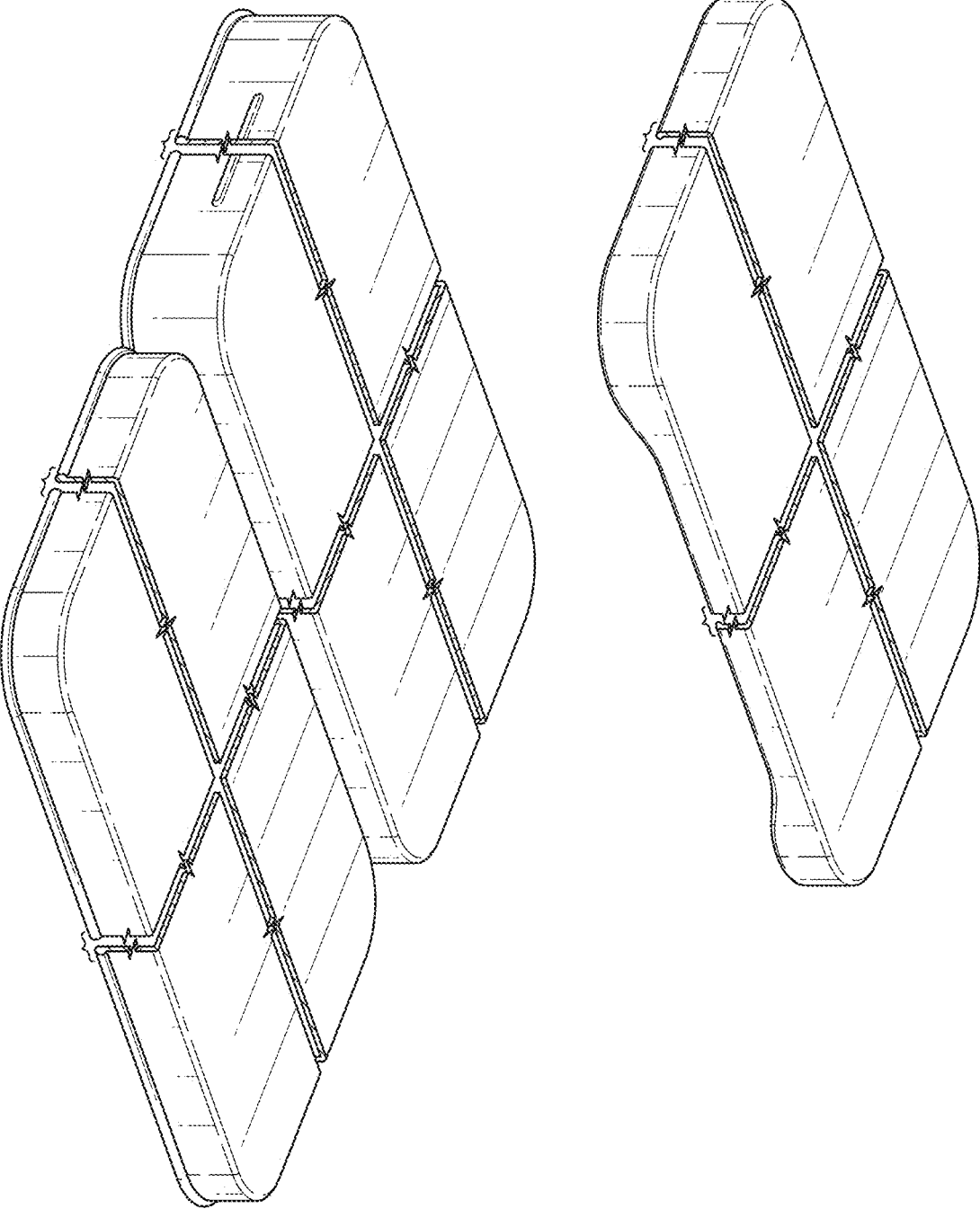


FIG. 27