



US00D661811S

(12) **United States Design Patent**
Ferguson et al.

(10) **Patent No.:** **US D661,811 S**
(45) **Date of Patent:** **** Jun. 12, 2012**

(54) **HEAD FOR A GALVANIC SKIN TREATMENT DEVICE**

(75) Inventors: **Scott B. Ferguson**, Highland, UT (US);
Dale G. Kern, Hyde Park, UT (US);
James N. Doyle, Jr., Fort Myers, FL (US);
Bruno Gimelli, Zollikofen (CH)

(73) Assignee: **NSE Products, Inc.**, Provo, UT (US)

(**) Term: **14 Years**

(21) Appl. No.: **29/351,904**

(22) Filed: **Dec. 14, 2009**

(51) **LOC (9) Cl.** **28-03**

(52) **U.S. Cl.** **D24/200**

(58) **Field of Classification Search** D24/200,
D24/133, 144, 170, 185, 186, 215; 606/2,
606/32, 89; 607/2, 96, 98, 99, 115, 145,
607/148; 601/1, 15-22

See application file for complete search history.

(56) **References Cited**

U.S. PATENT DOCUMENTS

4,907,601	A	3/1990	Frick	
D342,319	S *	12/1993	Cheng	D24/200
D344,137	S *	2/1994	Yoo	D24/200
D357,322	S *	4/1995	Matthews	D24/200
5,514,167	A	5/1996	Smith et al.	
5,667,487	A	9/1997	Henley	
D385,351	S *	10/1997	Manzie et al.	D24/144
6,119,038	A	9/2000	Cook	
6,266,560	B1	7/2001	Zhang et al.	
6,347,246	B1	2/2002	Perrault et al.	
D460,554	S *	7/2002	Park	D24/133
6,424,862	B1	7/2002	Brown, III et al.	
D479,336	S *	9/2003	La Bianco et al.	D24/215
D481,463	S	10/2003	Cook et al.	
D484,605	S	12/2003	Cook et al.	
D486,233	S *	2/2004	Cook et al.	D24/200
D487,154	S *	2/2004	Cook et al.	D24/200

6,743,215	B2	6/2004	Bernabei	
6,766,199	B2	7/2004	Cook et al.	
D496,731	S *	9/2004	Park	D24/133
7,194,316	B2	3/2007	Bousfield et al.	
D539,916	S *	4/2007	Baldachini	D24/215
7,305,269	B2	12/2007	Cook et al.	
D567,387	S *	4/2008	Nan	D24/215
7,383,083	B2	6/2008	Fischer et al.	
7,386,347	B2 *	6/2008	Chung et al.	607/148
7,395,110	B2	7/2008	Hofmann et al.	
7,415,306	B2	8/2008	Levin et al.	
D636,886	S *	4/2011	Lopez	D24/200
2002/0193831	A1	12/2002	Smith	
2004/0220456	A1	11/2004	Eppstein	
2004/0265395	A1	12/2004	Sun et al.	
2005/0064528	A1	3/2005	Kwon et al.	
2005/0197618	A1	9/2005	Plummer et al.	

* cited by examiner

Primary Examiner — David Muller

(74) *Attorney, Agent, or Firm* — Dorsey & Whitney LLP

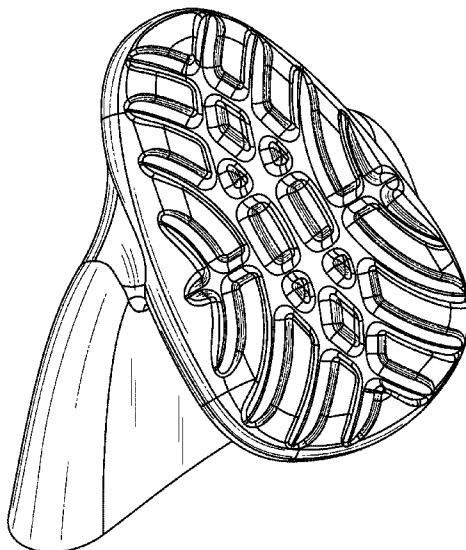
(57) **CLAIM**

The ornamental design for a head for a galvanic skin treatment device, as shown and described.

DESCRIPTION

FIG. 1 is a front view of a head for a galvanic skin treatment device showing our new design;
FIG. 2 is a right side view thereof;
FIG. 3 is a top view thereof;
FIG. 4 is a rear view there;
FIG. 5 is a perspective view thereof from the rear and right;
FIG. 6 is a perspective view thereof from the front and left; and,
FIG. 7 is a bottom view thereof.
The dash dot line immediately adjacent to the claimed bottom edge in FIG. 7 represents the boundary of the claimed design. The dashed lines in the figures illustrate the portions of the design that form no part of the claimed design. None of the broken lines form any part of the claimed design.

1 Claim, 7 Drawing Sheets



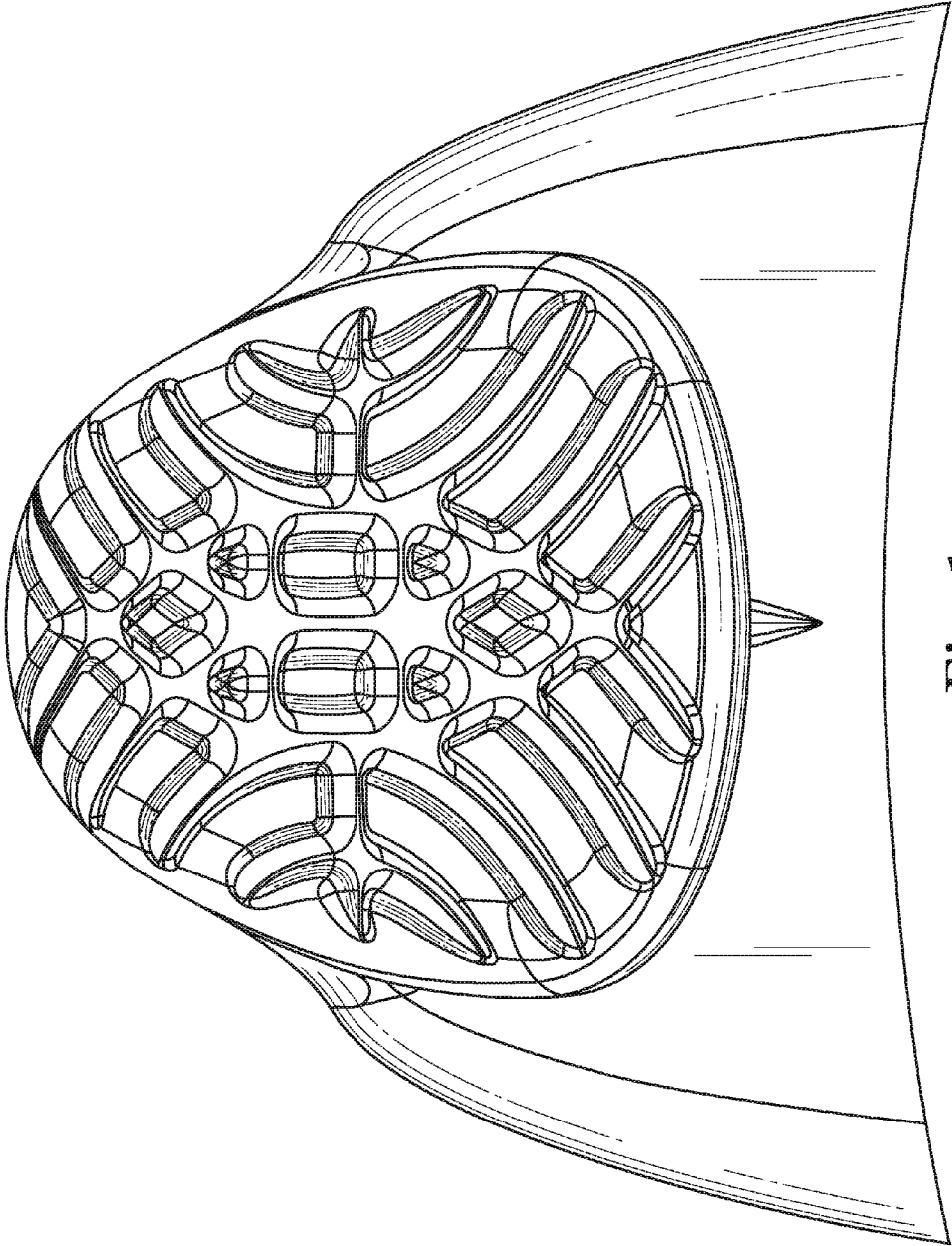


Fig. 1

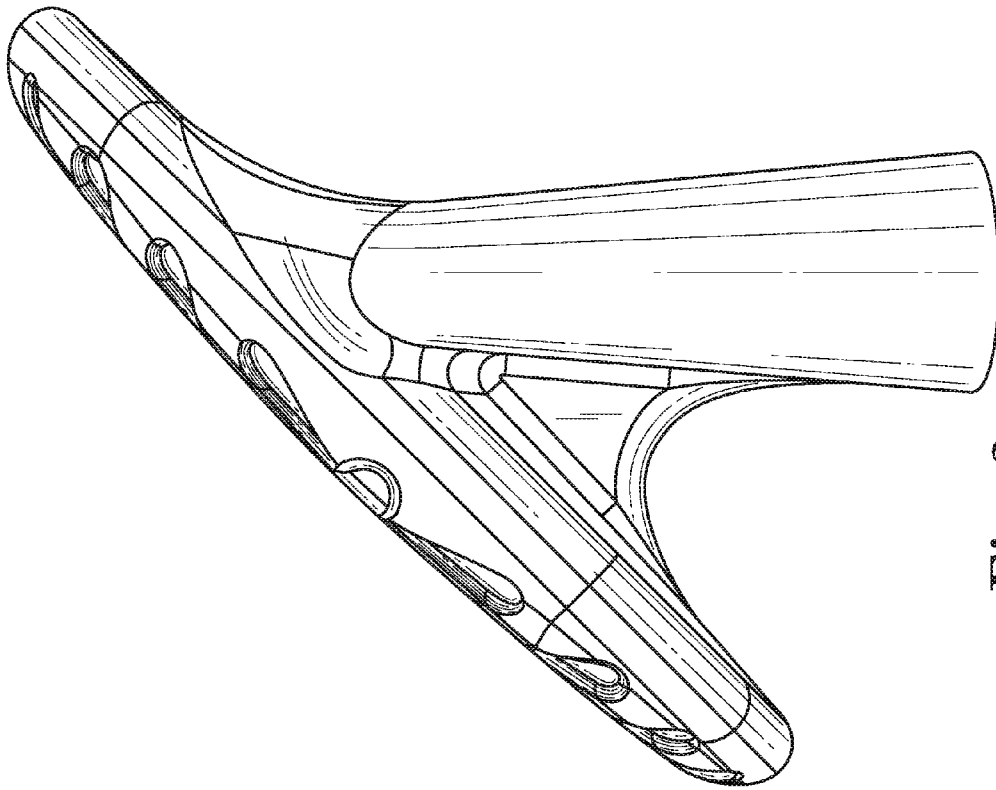


Fig. 2

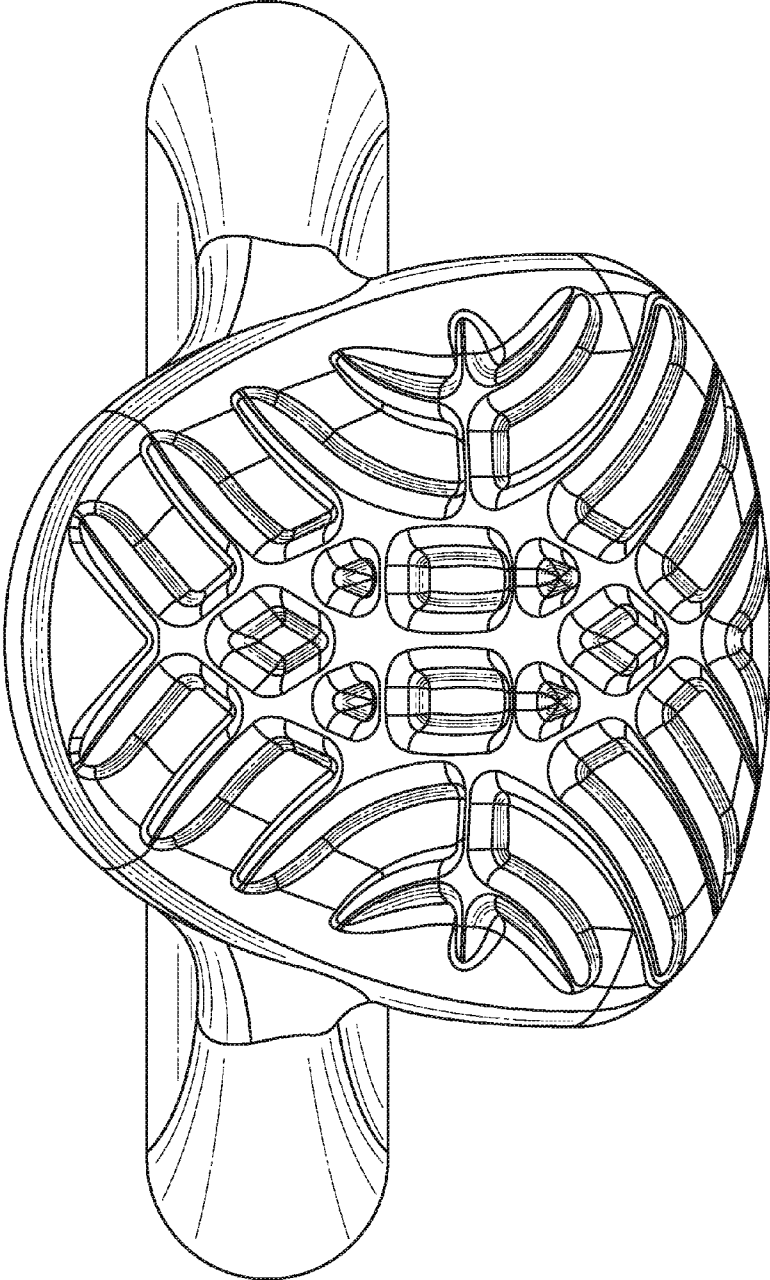


Fig. 3

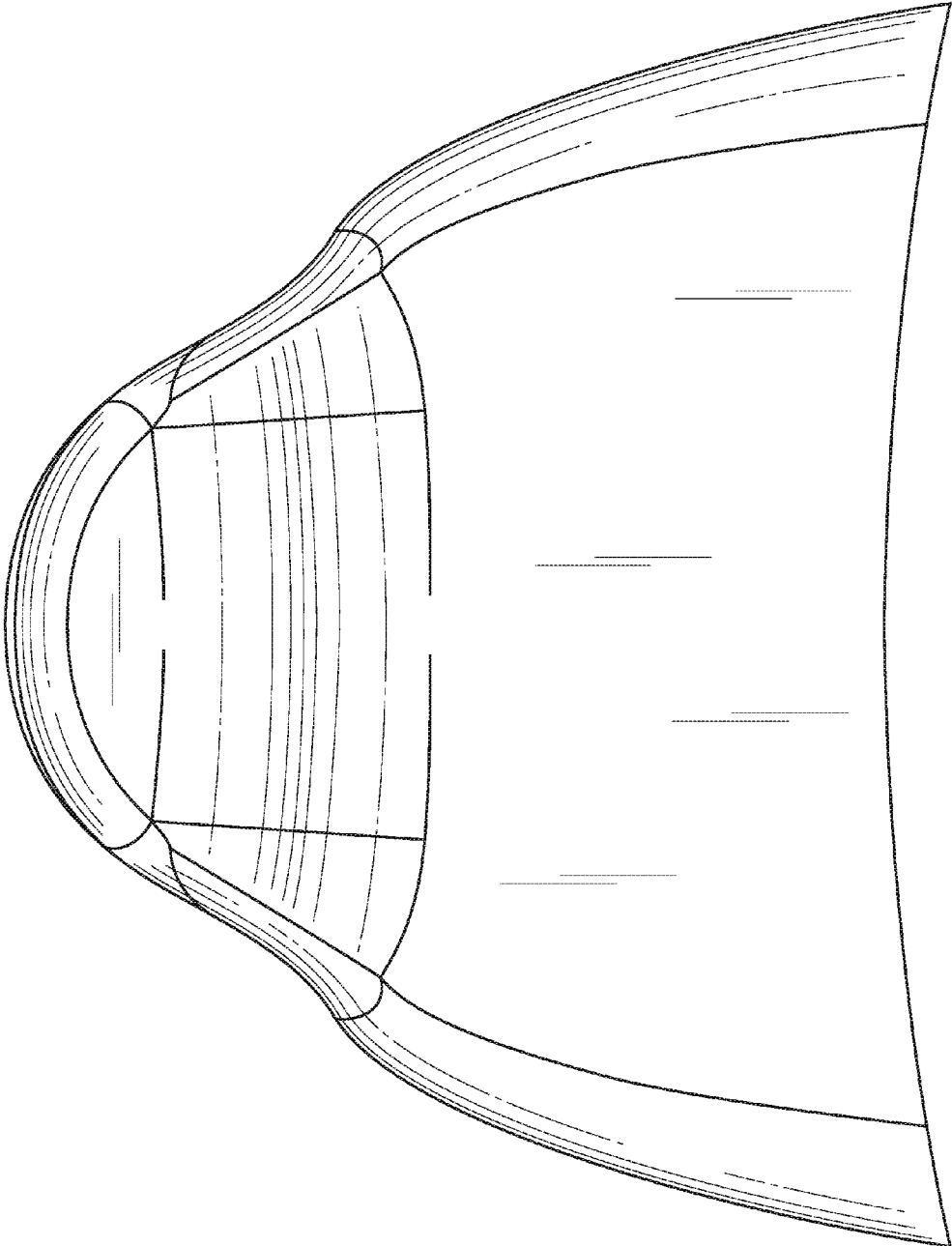


Fig. 4

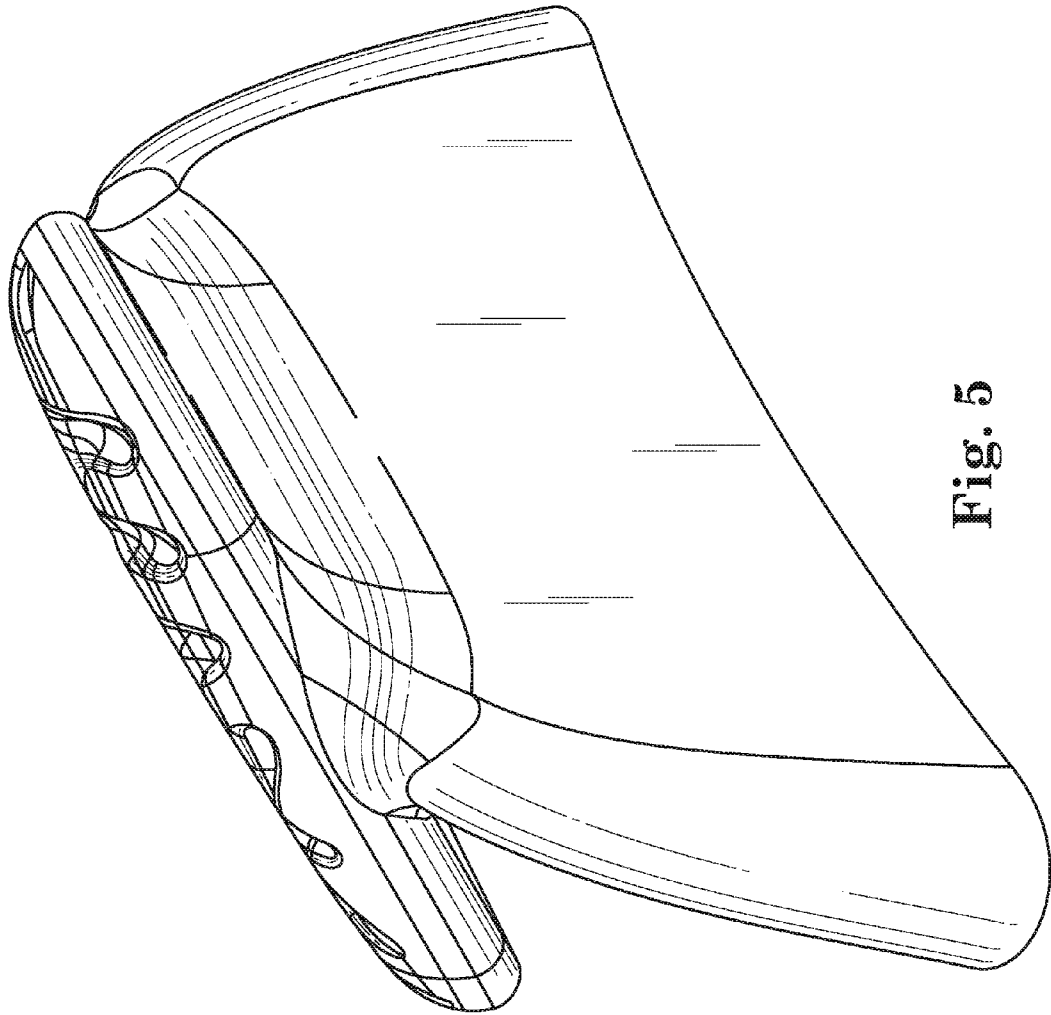


Fig. 5

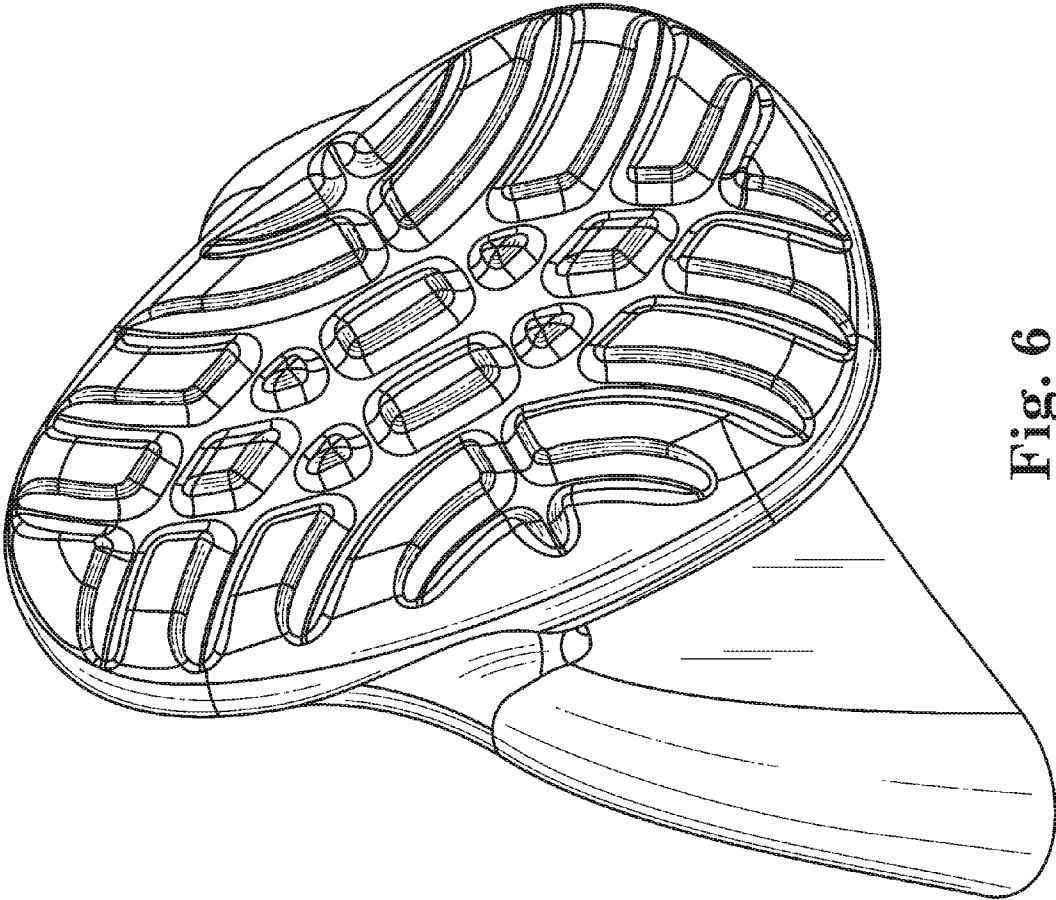


Fig. 6

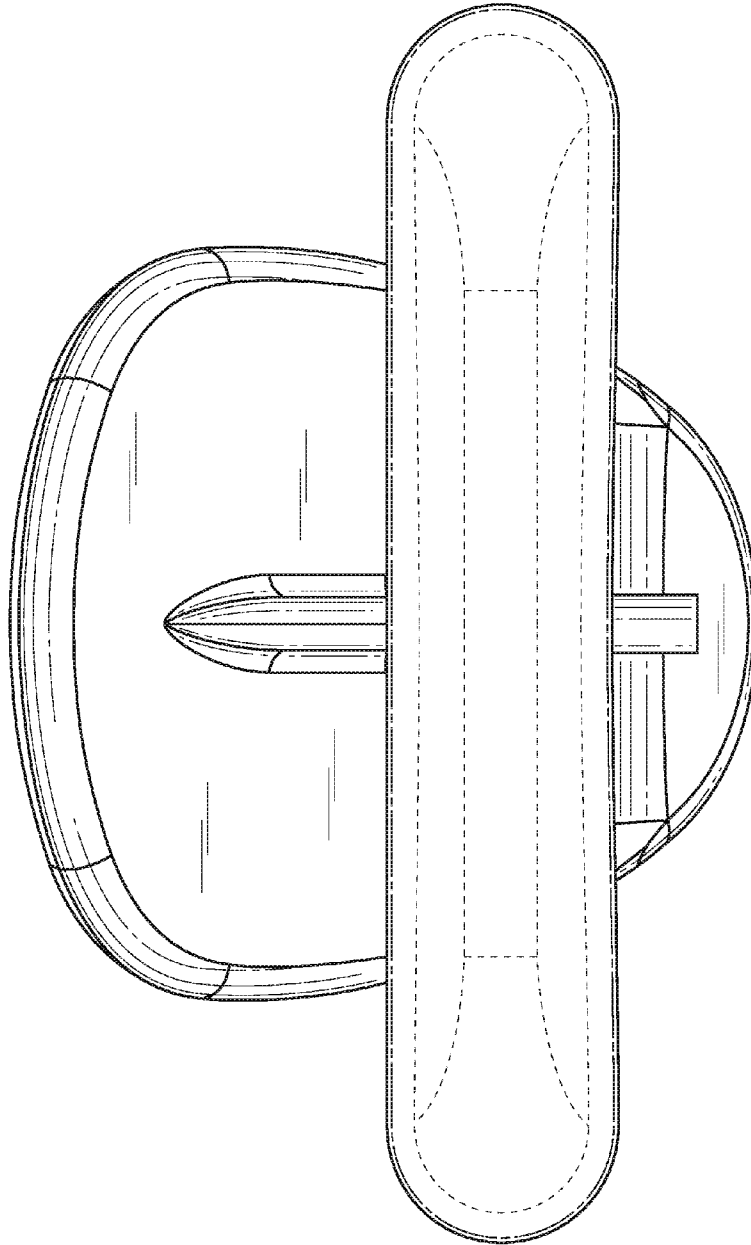


Fig. 7