



US00D906023S

(12) **United States Design Patent**
Burton et al.

(10) **Patent No.:** **US D906,023 S**

(45) **Date of Patent:** **** Dec. 29, 2020**

(54) **DISPLAY STAND**

4,110,946 A * 9/1978 Louthier, Jr. A47B 47/042
312/26
D258,256 S * 2/1981 Brown D6/657
4,429,932 A * 2/1984 Brennan A47B 43/02
229/12

(71) Applicant: **Sonos, Inc.**, Santa Barbara, CA (US)

(72) Inventors: **Maximillian Burton**, Santa Barbara, CA (US); **Quinn Huffstetler**, Santa Barbara, CA (US); **Hoang M. Nguyen**, Santa Barbara, CA (US); **Anthony Sperduti**, Santa Barbara, CA (US)

(Continued)

FOREIGN PATENT DOCUMENTS

CN 303855412 S 9/2016
CN 305196837 S 6/2019

(Continued)

(73) Assignee: **Sonos, Inc.**, Santa Barbara, CA (US)

(**) Term: **15 Years**

OTHER PUBLICATIONS

(21) Appl. No.: **29/696,162**

<https://www.macrumors.com/2012/04/16/new-dedicated-apple-product-displays-showing-up-at-walmart/> (Year: 2012).*

(22) Filed: **Jun. 25, 2019**

(Continued)

Related U.S. Application Data

Primary Examiner — Manpreet S Matharu
Assistant Examiner — Keith J Wilson
(74) *Attorney, Agent, or Firm* — KPPB LLP

(63) Continuation of application No. 29/570,254, filed on Jul. 6, 2016, now Pat. No. Des. 862,938.

(51) **LOC (12) Cl.** **20-02**

(52) **U.S. Cl.**
USPC **D6/672**

(58) **Field of Classification Search**
USPC D6/657, 659, 660, 662, 663, 672
CPC .. A47F 3/00; A47F 3/001; A47F 3/004; A47F 3/005; A47F 3/007; A47F 2003/008; A47F 5/00; A47B 45/00
See application file for complete search history.

(57) **CLAIM**

The ornamental design for a display stand, as shown and described.

DESCRIPTION

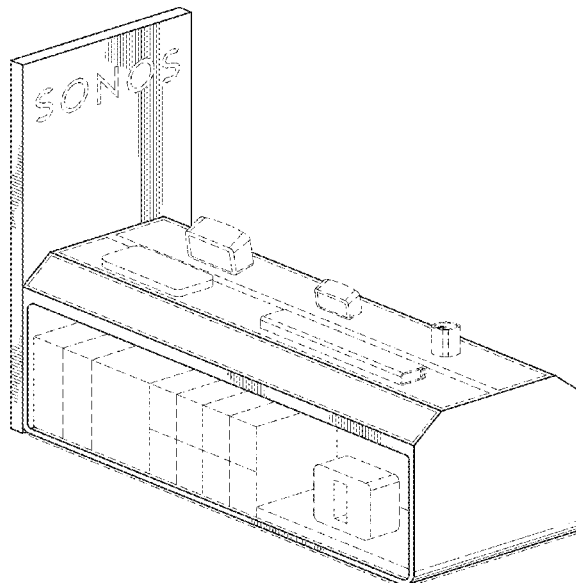
FIG. 1 is an isometric view of a display stand in accordance with a first embodiment of the invention.
FIG. 2 is a first side elevational view of the display stand in accordance with the first embodiment of the invention.
FIG. 3 is a second side elevational view of the display stand in accordance with the first embodiment of the invention.
FIG. 4 is a front elevational view of the display stand in accordance with the first embodiment of the invention; and, FIG. 5 is a rear elevational view of the display stand in accordance with the first embodiment of the invention.
The features shown in broken lines represents portions of a display stand that form no part of claimed design.

(56) **References Cited**

U.S. PATENT DOCUMENTS

D141,377 S * 5/1945 Miller D6/657
3,100,460 A * 8/1963 McElroy A47B 57/16
108/10
D232,289 S * 8/1974 Moretine D6/675
D233,970 S * 12/1974 Hodges D6/657

1 Claim, 3 Drawing Sheets



(56)

References Cited

U.S. PATENT DOCUMENTS

- 4,438,993 A * 3/1984 Rabas A47F 3/00
16/267
- D274,203 S * 6/1984 Everett D6/675
D274,205 S * 6/1984 Kates D6/705
D275,626 S * 9/1984 Moore D6/675
D286,115 S * 10/1986 Evans D6/675
D287,443 S * 12/1986 Norling D6/682
D290,204 S * 6/1987 Bruget D6/675
D300,887 S * 5/1989 Evans D6/657
D301,413 S * 6/1989 Rosen D6/661
D337,454 S * 7/1993 Short D6/661
D341,776 S * 11/1993 Broyles D19/77
5,265,729 A * 11/1993 Carlin B65D 25/06
206/55
- D352,850 S * 11/1994 Fujii D6/675.1
5,464,103 A * 11/1995 O'Brien A47B 57/20
211/13
- D365,706 S * 1/1996 Campbell D6/683
5,595,127 A * 1/1997 Eustace A47B 47/025
108/10
- 5,662,399 A * 9/1997 Henkel A47B 43/00
108/10
- D393,963 S * 5/1998 Mansour D6/662
D396,581 S * 8/1998 Schubert D34/17
D426,401 S * 6/2000 Conway, Jr. D6/661
D464,498 S * 10/2002 Riga D6/673
D491,744 S * 6/2004 Harwanko D6/657
D492,860 S * 7/2004 Bertoncini D6/661
D493,046 S * 7/2004 McDiarmid D6/661
D531,835 S * 11/2006 Harwanko D6/662
D568,632 S * 5/2008 Suzuki D6/657
7,374,047 B2 * 5/2008 Bryson A47F 5/116
108/10
- D583,588 S 12/2008 Maki
D584,902 S * 1/2009 Neff D6/657
D589,536 S * 3/2009 Seki D15/81
D591,078 S * 4/2009 Singler D14/30
D591,083 S 4/2009 Singler et al.
D591,979 S 5/2009 Singler et al.
D597,343 S * 8/2009 Thakur D6/683
D599,581 S * 9/2009 Martinez D6/675
D632,903 S * 2/2011 Paul D6/675
D637,421 S * 5/2011 Theisen D6/675.1
D637,422 S * 5/2011 Theisen D6/675
D669,284 S * 10/2012 Canavan D6/675
D675,846 S * 2/2013 Monaldi D6/661
D679,521 S 4/2013 Hamm et al.
D688,494 S 8/2013 Hamm et al.
D693,156 S 11/2013 Hamm et al.
D697,340 S 1/2014 Vardaro
D708,459 S 7/2014 Heirakuji et al.
D712,176 S * 9/2014 Tamilarasan D6/515
D713,658 S 9/2014 Tio et al.
D722,459 S * 2/2015 Schluetter D6/675
D725,947 S 4/2015 Tio et al.
D727,666 S 4/2015 Wagemans et al.
D729,560 S * 5/2015 Hamm D6/702
D730,665 S * 6/2015 Murakami D6/675
D733,088 S * 6/2015 Garneau D14/17
D734,067 S * 7/2015 Vogt D6/661
D734,965 S 7/2015 Tio et al.
D740,594 S 10/2015 Trinh
D741,091 S 10/2015 Tio et al.
D741,626 S 10/2015 Tapias
D744,770 S * 12/2015 Middendorf D6/662
D752,369 S * 3/2016 Coleman D6/675
- D754,993 S * 5/2016 Nathan D6/675
D756,137 S * 5/2016 Abelmann D6/336
D757,127 S * 5/2016 Rautavuori D15/79
D758,105 S * 6/2016 Taraczky D6/672
D758,106 S * 6/2016 Hamm D6/672
D764,834 S 8/2016 Citterio
D764,840 S 8/2016 Pinna et al.
D766,626 S * 9/2016 Peden D6/675
D769,651 S 10/2016 Tio et al.
D774,805 S 12/2016 Thiele
D777,477 S 1/2017 Germany
D777,478 S 1/2017 Krauss
D779,240 S 2/2017 Tio et al.
D779,859 S * 2/2017 Richardson D6/675
D781,622 S * 3/2017 Horsky et al. D6/675
D784,735 S * 4/2017 Hirata D6/661.3
D785,975 S * 5/2017 Thaler D6/673
D785,994 S * 5/2017 Brown D6/675
D790,260 S 6/2017 Tio et al.
D806,447 S 1/2018 Burton et al.
D806,448 S * 1/2018 Burton D6/657
D807,086 S 1/2018 Tio et al.
D815,864 S * 4/2018 Burton D6/675
D821,116 S 6/2018 Hamm et al.
D824,702 S 8/2018 Tio et al.
D834,356 S 11/2018 Chapuis et al.
D841,370 S 2/2019 Theisen et al.
D842,627 S 3/2019 Siminoff et al.
D842,628 S 3/2019 Siminoff et al.
D843,139 S * 3/2019 Burton D6/672
D844,349 S * 4/2019 Burton D6/672
D866,226 S * 11/2019 Burton D6/672
D866,227 S * 11/2019 Burton D6/672
D877,546 S 3/2020 Spielmann et al.
D878,114 S 3/2020 Xu et al.
D881,746 S 4/2020 Ballestas
2004/0104187 A1 * 6/2004 McCain A47B 73/002
211/75
2006/0118502 A1 * 6/2006 Polvere A47F 5/112
211/13
2007/0125736 A1 * 6/2007 O'Reilly A47B 46/005
211/18
2015/0021286 A1 * 1/2015 Lo A47B 43/00
211/19
2015/0313359 A1 * 11/2015 Bennie A47B 47/0066
211/13

FOREIGN PATENT DOCUMENTS

CN 305802882 S 5/2020
EM 002971739-0001 2/2016
EM 002971739-0002 2/2016
EM 002971739-0003 2/2016

OTHER PUBLICATIONS

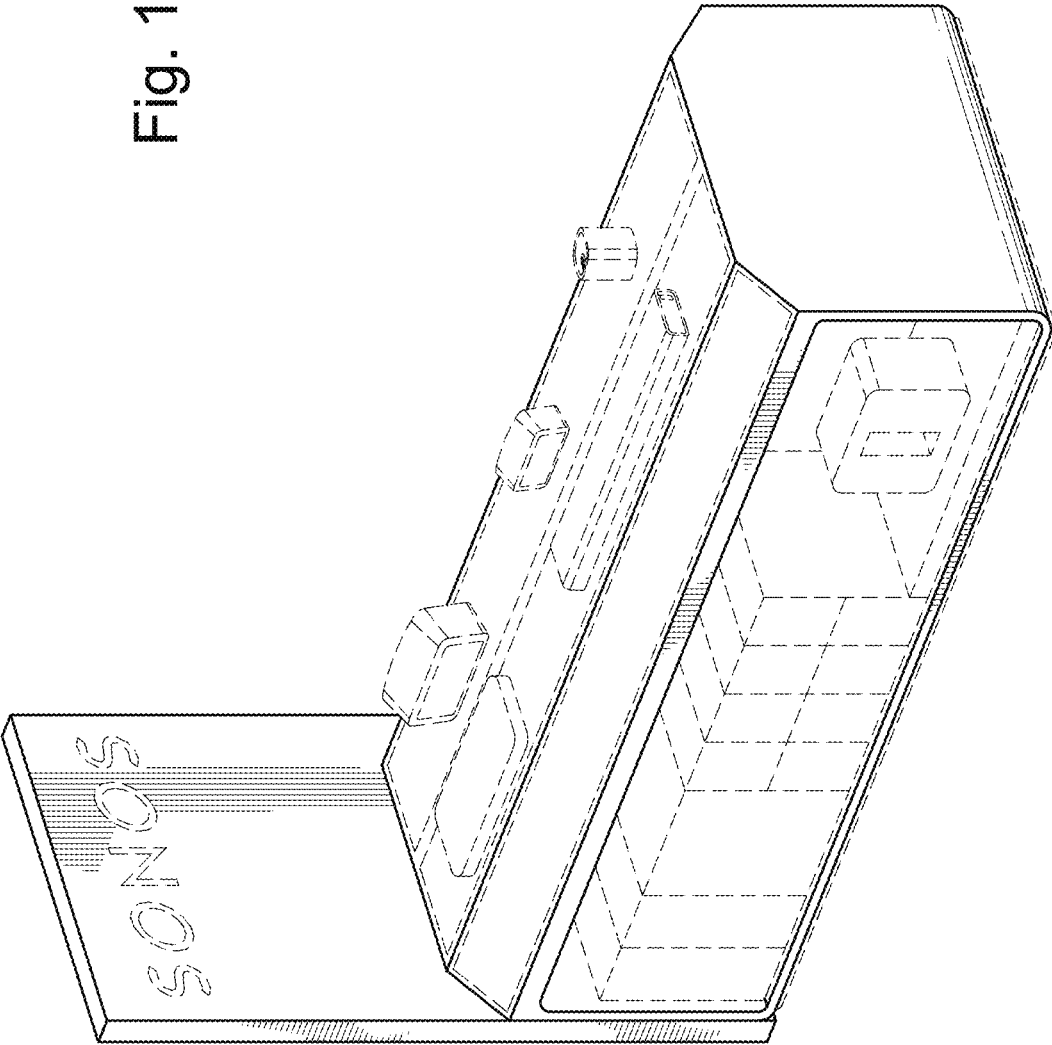
"Slatwall L Shaped Merchandiser with Drawers Maple", <https://thefixturezone.com/slatwall-l-shaped-merchandiser-with-drawenmaple.html> (Year: 2019), 1 pg.

"Zagg InvisibleShield Kiosk at Barton Creek Square", 2019, retrieved from <https://www.nbifixtures.com/kiosks/zagg-invisibleshield-kiosk-at-barton-creek-square/>, 4 pgs.

Marques, "Apple instala novos displays promocionais em miniloja dentro do Walmart", Apr. 15, 2012, retrieved from <https://macmagazine.uol.com.br/2012/04/15/%E2%86%AA-apple-instala-novos-displays-promocionais-em-miniloja-dentro-do-walmart/>, 5 pgs.

* cited by examiner

Fig. 1



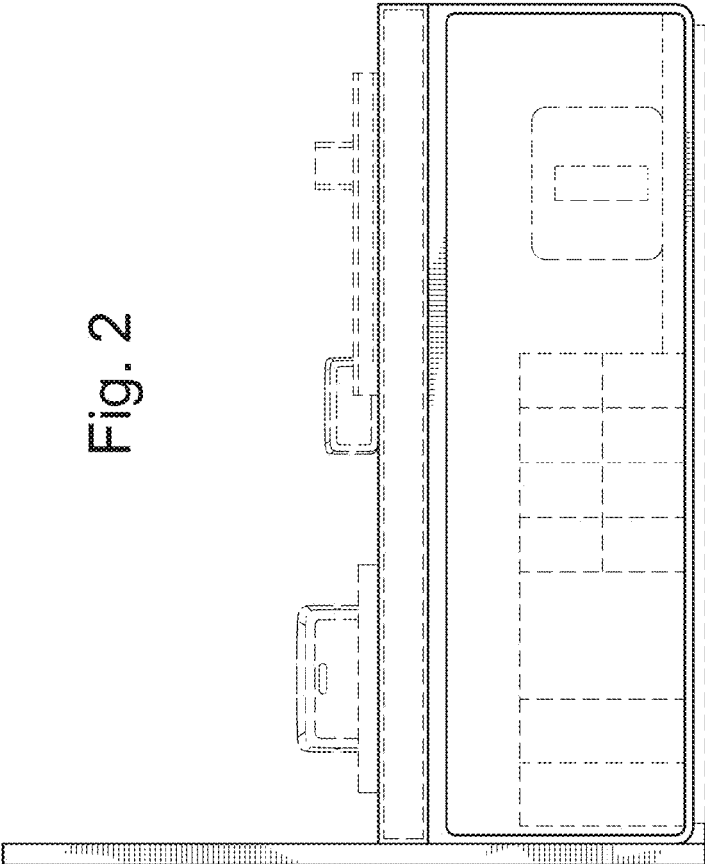


Fig. 2

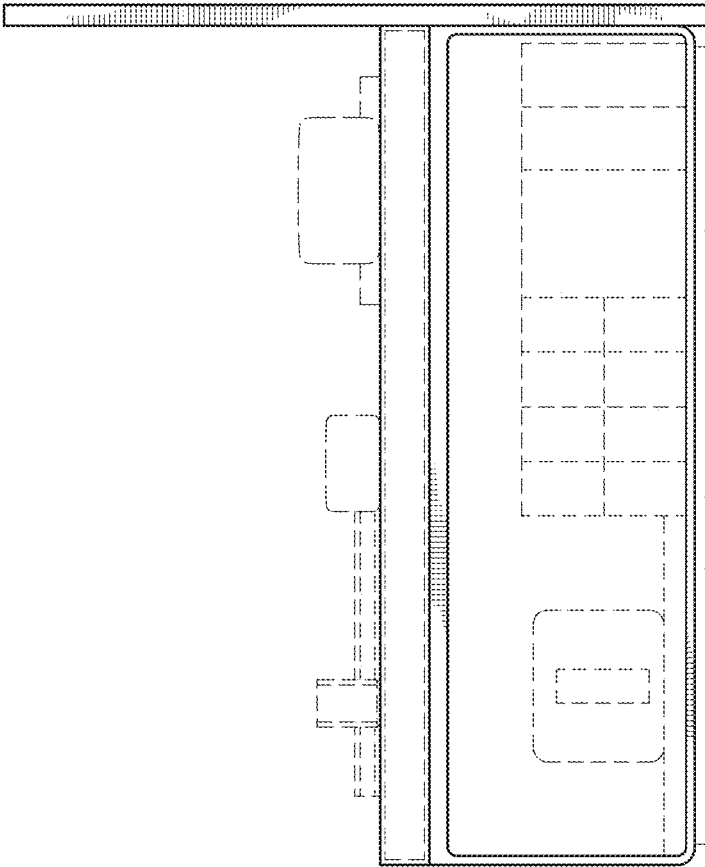


Fig. 3

Fig. 5

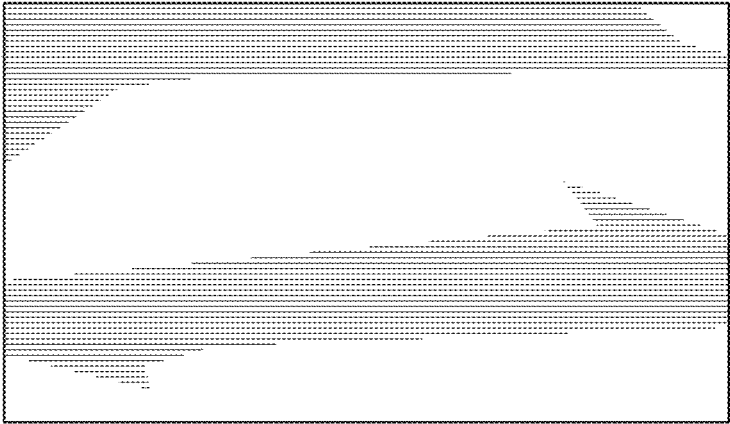


Fig. 4

