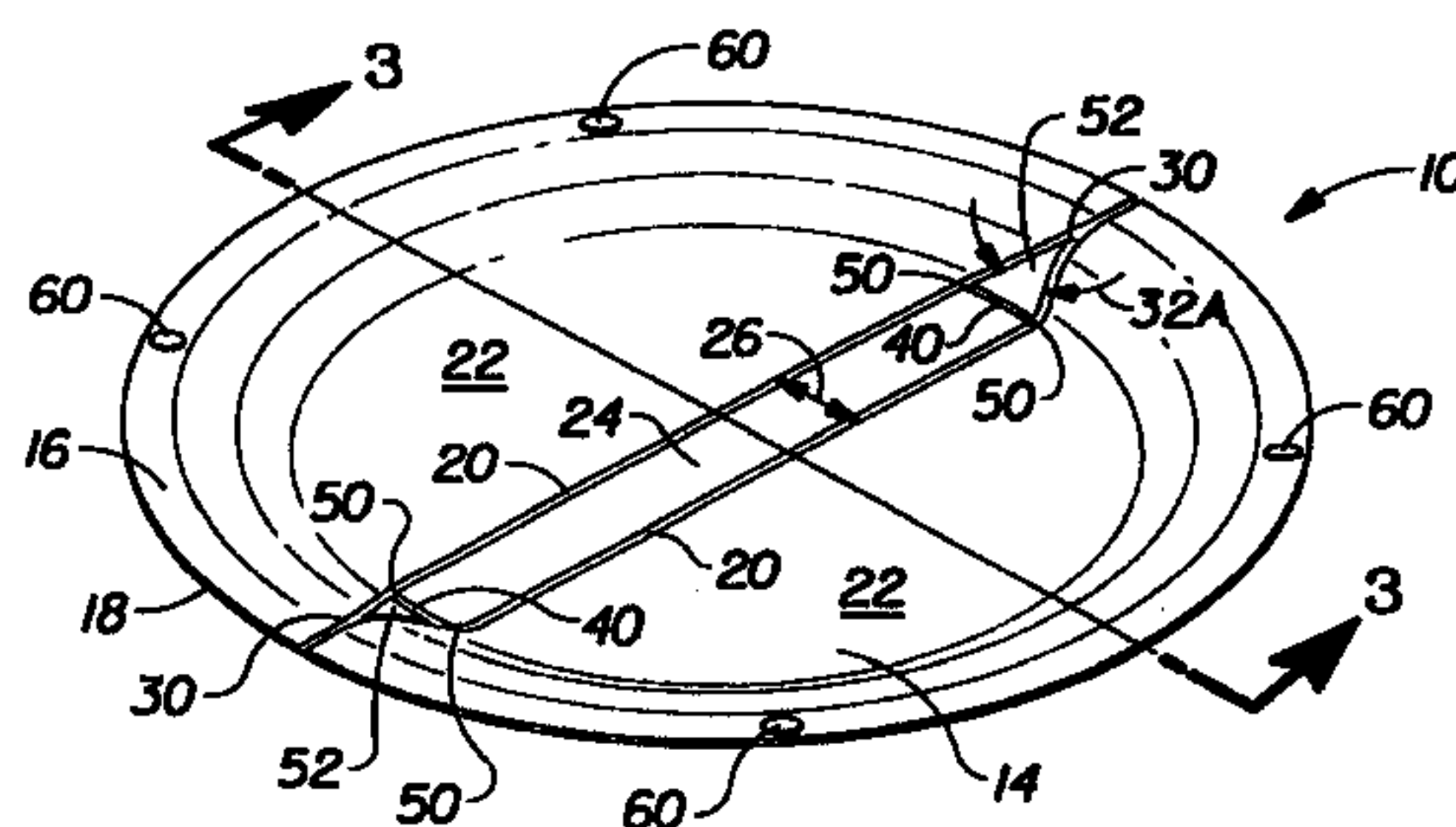




(72) TOUSSANT, JOHN WILLIAM, US
(72) MORRIS, PETER, US
(71) THE PROCTER & GAMBLE COMPANY, US
(51) Int.Cl.⁶ B65D 1/34, B65D 43/16
(30) 1998/03/19 (09/045,776) US
(54) **RECIPIENT A NOURRITURE ARTICULE**
(54) **ARTICULABLE FOOD CONTAINER**



(57) Cette invention se rapporte à un récipient à nourriture articulé, qui peut passer d'une première position ouverte à une seconde position fermée. Dans la première position ouverte, le récipient à nourriture sert à recevoir des aliments. L'utilisateur peut en outre manger dans ce récipient à nourriture, pendant que celui-ci se trouve dans sa première position ouverte. Dans la seconde position fermée, le récipient à nourriture recouvre ou renferme les aliments. La position fermée sert à conserver les aliments, à les chauffer, à les transporter entre le lieu où ils sont servis et leur lieu de consommation et/ou à mettre au rebut les restes du repas une fois celui-ci terminé. Ce récipient à nourriture peut être réalisé sous la forme d'une assiette, d'un bol, d'un plateau, d'une double coque ou de tout autre configuration connue.

(57) An articable food container. The food container is articable from and between a first open position to a second closed position. In the first open position the food container can receive food. Additionally, the user may eat from the food container while it is in the first open position. In the second closed position, the food container covers or encloses the food. The closed position is useful for storing the food, heating the food, transporting the food between the point of service and the point of consumption, and/or disposing of the remnants of the food once the meal is completed. The food container may take the form of a plate, bowl, tray, clam shell, or other known configurations.



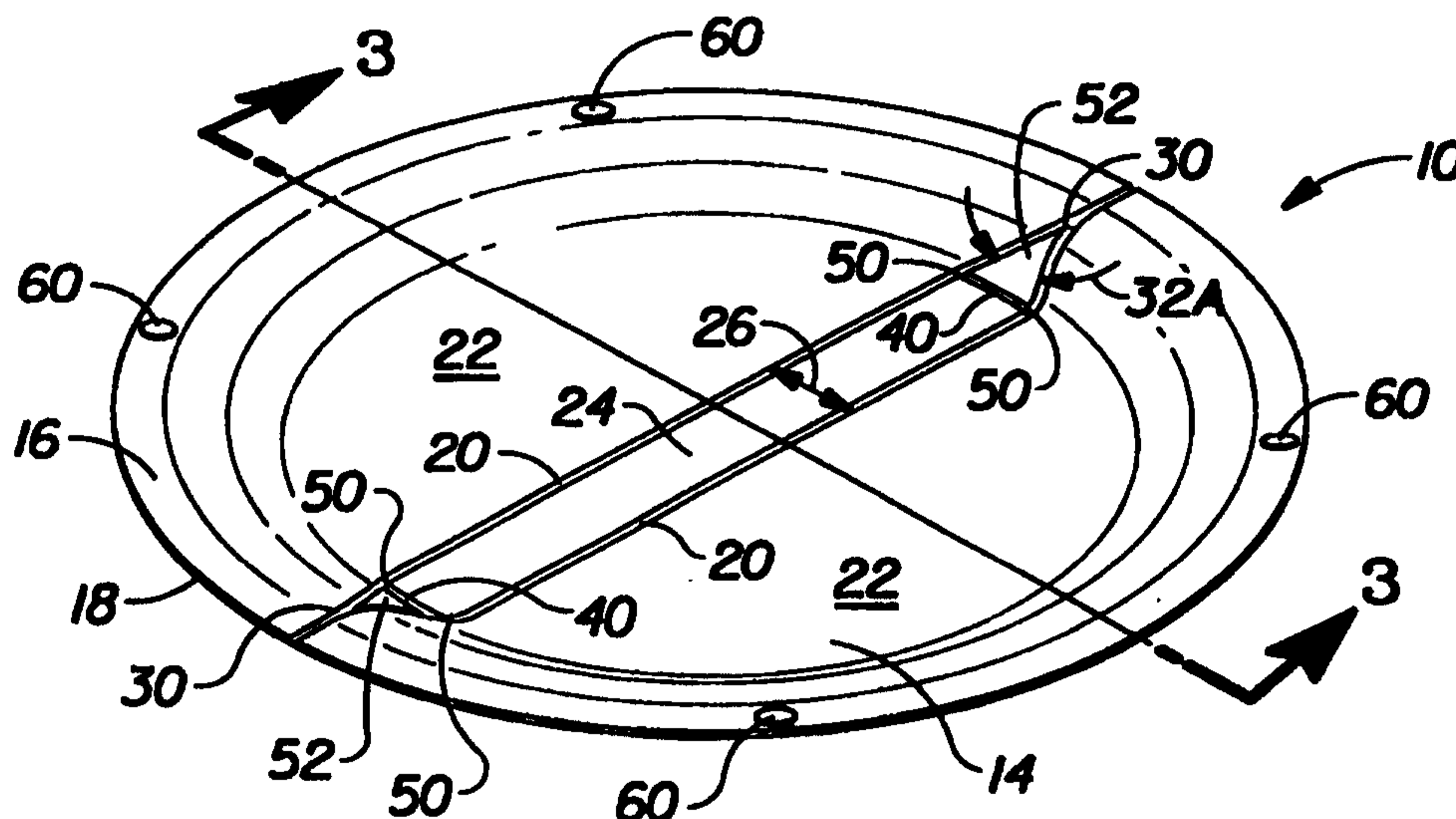
PCT

WORLD INTELLECTUAL PROPERTY ORGANIZATION
International Bureau

INTERNATIONAL APPLICATION PUBLISHED UNDER THE PATENT COOPERATION TREATY (PCT)

(51) International Patent Classification ⁶ : B65D 1/34, 43/16	A1	(11) International Publication Number: WO 99/47424 (43) International Publication Date: 23 September 1999 (23.09.99)
<p>(21) International Application Number: PCT/IB99/00420</p> <p>(22) International Filing Date: 15 March 1999 (15.03.99)</p> <p>(30) Priority Data: 09/045,776 19 March 1998 (19.03.98) US</p> <p>(71) Applicant: THE PROCTER & GAMBLE COMPANY [US/US]; One Procter & Gamble Plaza, Cincinnati, OH 45202 (US).</p> <p>(72) Inventors: TOUSSANT, John, William; 8169 Shadybrook Drive, West Chester, OH 45069 (US). MORRIS, Peter; 7965 Indian Hill Road, Cincinnati, OH 45243 (US).</p> <p>(74) Agents: REED, T., David et al.; The Procter & Gamble Company, 5299 Spring Grove Avenue, Cincinnati, OH 45217-1087 (US).</p>	<p>(81) Designated States: AL, AM, AT, AT (Utility model), AU, AZ, BA, BB, BG, BR, BY, CA, CH, CN, CU, CZ, CZ (Utility model), DE, DE (Utility model), DK, DK (Utility model), EE, EE (Utility model), ES, FI, FI (Utility model), GB, GD, GE, GH, GM, HR, HU, ID, IL, IN, IS, JP, KE, KG, KP, KR, KZ, LC, LK, LR, LS, LT, LU, LV, MD, MG, MK, MN, MW, MX, NO, NZ, PL, PT, RO, RU, SD, SE, SG, SI, SK, SK (Utility model), SL, TJ, TM, TR, TT, UA, UG, UZ, VN, YU, ZW, ARIPO patent (GH, GM, KE, LS, MW, SD, SL, SZ, UG, ZW), Eurasian patent (AM, AZ, BY, KG, KZ, MD, RU, TJ, TM), European patent (AT, BE, CH, CY, DE, DK, ES, FI, FR, GB, GR, IE, IT, LU, MC, NL, PT, SE), OAPI patent (BF, BJ, CF, CG, CI, CM, GA, GN, GW, ML, MR, NE, SN, TD, TG).</p> <p>Published <i>With international search report.</i></p>	

(54) Title: ARTICULABLE FOOD CONTAINER



(57) Abstract

An articable food container. The food container is articable from and between a first open position to a second closed position. In the first open position the food container can receive food. Additionally, the user may eat from the food container while it is in the first open position. In the second closed position, the food container covers or encloses the food. The closed position is useful for storing the food, heating the food, transporting the food between the point of service and the point of consumption, and/or disposing of the remnants of the food once the meal is completed. The food container may take the form of a plate, bowl, tray, clam shell, or other known configurations.

ARTICULABLE FOOD CONTAINER

FIELD OF THE INVENTION

This invention relates to food containers, particularly a food container which may be disposable, and more particularly a food container which, in use, can assume two positions - a first position for receiving food, etc., and a second position for enclosing the contents of the container.

BACKGROUND OF THE INVENTION

Disposable food containers are well known in the art. Disposable food containers include common paper plates, bowls, clam shells, trays, etc.

The art has paid considerable attention to making, molding, and deforming these food containers out of a single plane. In this latter process a blank is provided. The blank may have radial grooves at its peripheral region. The blank is inserted between mating dies and pressed. The radial grooves provide for accumulation of the material deformed by the dies. Exemplary art includes U.S. Patents 3,033,434, issued May 8, 1962 to Carson; 4,026,458, issued May 31, 1977 to Morris et al., the disclosures of which are incorporated herein by reference; 4,606,496, issued August 19, 1986 to Marx et al.; 4,609,140, issued September 2, 1986 to van Handel et al.; 4,721,500, issued Jan. 26, 1988 to van Handel et al.; 5,230,939, issued July 27, 1993 to Baum; 5,326,020, issued July 5, 1994 to Cheshire et al. However, none of these attempts in the art provide a way to use the articles described therein in a configuration other than that originally provided. Typically the articles, such as food containers, are provided in a generally open configuration with sloped side walls. The sloped side walls reduce the occurrences of food spilling from the food container.

Often the user would enjoy the convenience of a food container which can be open to receive food, and to eat the food placed on or in the container. At other times, the user

would appreciate a container which can cover or otherwise enclose the food. Covering the food is useful in a variety of situations. For example, if the food is to be cooked (or even heated) in a microwave oven, covering, or preferably enclosing, the food reduces splattering and controls moisture loss. The user may wish to cover the food to keep it warm during the time between cooking and eating. The user may also wish to cover the food while transporting it, as may occur when food is prepared and/or served at a first location and eaten at a second location.

One attempt in the art to provide these conveniences is to provide a clam shell. A clam shell is a container and lid hingedly connected together. The container and lid mating surfaces are preferably symmetric about the hinge line and may have a locking mechanism to hold the lid/container combination in the closed position. Clam shells are typically used in fast food restaurants for serving hamburgers, chicken nuggets, etc. However, the use of clam shells has drawbacks. For example, clam shells are typically small, approximating the size of a hamburger. If one wishes to have an entire plate of food, the clam shell would have to be sized to accommodate. This would require a food container and lid of equal size, so that the lid could cover the food. However, this arrangement represents wasted material. Typically one does not need or wish to cover the entire plate of food at once. For example, certain foods may later be added to the food container without heating. The full sized lid/container combination of the clam shell is unnecessary. Exemplary clam shells are shown in U.S. Patent 4,778,439, issued October 18, 1988 to Alexander; 5,205,476, issued April 27, 1993 to Sorenson; and 5,577,989, issued November 29, 1996 to Neary, the disclosures of which are incorporated herein by reference.

Accordingly, it is an object of this invention to provide a food container which can be used in two different positions. It is further an object of this invention to provide a food container which can be used in a first open position for receiving food, and a second

closed position for covering the food or remnants thereof. Finally, it is an object of this invention to provide a food container which is stable in two different positions.

BRIEF DESCRIPTION OF THE DRAWINGS

Figure 1 is a perspective view of a food container according to the present invention, the food container being in an open position.

Figure 2 is an instantaneous vertical section view of the food container of Fig. 1 in a closed position.

Figure 3 is an instantaneous vertical sectional view taken along lines 3-3 of Fig. 1 and showing the fastening devices behind the cutting plane.

Figure 4 is an instantaneous vertical sectional view of the food container of Figs. 1-3 shown in an intermediate position, between the open and closed positions.

Figures 5-6 are instantaneous vertical sectional view of asymmetric embodiments of two food containers suitable for use with the present invention, the cutting plane having been taken generally parallel to the spinal hinge lines, the embodiment of figure 5 having a central region with two different depths and a peripheral region of negligible radial width and the embodiment of figure 6 having an upstanding partition therein.

Figure 7 is a top plan view of a food container according to the present invention, the food container being in an open position and having the spine offset relative to a diameter of the food container.

Figure 8 is a vertical sectional view of the food container of Figure 7 in a closed position.

Figure 9 is a top plan view of a food container according to the present invention, the food container being in an open position and having the common points centered on a diameter of the food container but the spine width offset relative to the diameter.

Figure 10 is a vertical sectional view of the food container of Figure 9 in a closed position.

Figure 11 is a top plan view of a food container having different major and minor axis, and being articulable about both axes.

Figure 12A and 12B are fragmentary schematic representations of a top plan view and a vertical sectional view, respectively, showing the correspondence and instantaneous

angles between the transition region and peripheral region of a food container as it deviates in the Z-direction from the horizontal in Fig. 12B and the spinal hinge lines as they converge and diverge in Fig. 12A.

SUMMARY OF THE INVENTION

The invention comprises a food container. The food container is articulable about a plurality of multi-planar hinge lines. The hinge lines divide the container into an inboard spine and outboard wings. Preferably each wing is an isomere of the other, although, asymmetric food containers are contemplated.

In another execution, the invention comprises a bi-stable food container. The food container is transformable between two positions, a first open position wherein the food container can receive food and a second closed position wherein the food container covers the food. The food container has a central region and a circumjacent peripheral region. The peripheral region is raised relative to the central region when the food container is in its normal position.

In another embodiment, the invention comprises a method of using a disposable food container for preparing or eating food therefrom. The method comprises the steps of providing a food container having an open position for receiving food and a closed position for covering the food. Food is deposited on the food container while in the open position. The food container is closed to cover the food on the food container. While enclosed, the food container can be used to store, heat or dispose of the food.

DETAILED DESCRIPTION OF THE INVENTION

Referring to Figures 1-3, the food container 10 according to the present invention may comprise a relatively shallow plate, a bowl, a tray, a clam shell, or any other configuration known in the art.

The food container 10 is articulable between a first open position and a second closed position. In the first open position the central region 14 of the food container 10 according to the present invention may be macroscopically monoplanar and accessible for food to be deposited thereon. In the second closed position, the food container 10 has a smaller footprint, and covers or even encloses the food or remnants thereof. The first and

second positions are defined by structural features of the food container 10. The first and second positions do not occur randomly or by accident as for example, may occur when a paper plate according to the prior art is crumpled for disposal.

The food container 10 according to the present invention is considered to be bistable. By "bistable" it is meant that the food container 10 can indefinitely remain in either the first or second position. The food container 10 does not move from the first position to the second, from the second position to the first or from either position to an intermediate position without external influence. Nor does the food container 10 assume other positions or configurations as illustrated in Fig. 4 without external influence. Furthermore, the food container 10 enjoys unexpected rigidity while in the first position.

Examining the food container 10 of Figs. 1-3 in more detail, the food container 10 comprises a central region 14 and a circumjacent peripheral region 16. The central region 14 and peripheral region 16 are disposed in two different planes. The central region 14 defines the X-Y plane of the food container 10. The Z-direction of the food container 10 lies perpendicular to the X-Y plane. Of course, one of ordinary skill will recognize the food container 10 will necessarily contain a transition region from the central region 14 to the peripheral region 16. In normal use, the peripheral region 16 is typically raised relative to the central region 14. The peripheral region 16 is joined thereto at a non-perpendicular angle.

The boundary and shape of the peripheral region 16 are defined by the edge 18 of the food container 10. It is to be recognized that the dimensions and relative proportions of the peripheral region 16 and central region 14 of the food container 10 will vary according to the exact size and intended use of the food container 10. While a round food container 10 is illustrated in Fig. 1, one of ordinary skill will recognize that any suitable shape and depth of food container 10 may be selected for use with the present invention and the invention is not so limited. Other suitable shapes include squares, rectangles, ovals, various polygons, etc.

It is not necessary that either the central region 14 or the peripheral region 16 be flat, parallel to the X-Y plane, or be generally planar. One of ordinary skill will recognize that, for example, bowls having a generally concave shaped bottom will be suitable for use with the present invention. It is only necessary that the central region 14 and the

peripheral region 16 be spaced apart in the Z-direction. The Z-direction distance from the bottom surface of the central region 14 (taken while the food container 10 is in its normal in-use and open, generally horizontal position) to the top surface of the peripheral region 16 is referred to as the Z-direction depth 19 of the food container 10. If there are different Z-direction depths 19 at different portions of the food container 10, the Z-direction depth 19 is taken at the vertices 50, discussed below, of the spinal hinge lines 20. It is to be recognized that different vertices 50 may define different Z-direction depths 19. Fig. 5 illustrates a food container having dual Z-direction depths 19.

Referring back to Fig. 3, the food container 10 according to present invention is divided by a plurality of, and preferably two, hinge lines 20. A preferred configuration has spaced apart first and second hinge lines 20, referred to as spinal hinge lines 20.

The spinal hinge lines 20 divide the food container 10 into two wings 22, and a spine 24 disposed between the wings 22. The wings 22 are outboard of the spine 24. Ordinarily each wing 22 is an isomere of the other. However, it is to be recognized that asymmetrical configurations may be desirable and are within the scope of the claimed invention as shown in Figs. 5-10.

The spinal hinge lines 20 allow the wings 22 to be articulated about either spinal hinge line 20. Preferably the articulation is reversible and more preferably sustainable for a number of cycles, so that the food container 10 may be opened and closed a number of times.

Both portions of the food container 10, i.e., the wings 22 and the spine 24, may be articulated about the spinal hinge line 20. Of course, the articulation is in a direction generally perpendicular to the spinal hinge lines 20.

Preferably the spinal hinge lines 20 are generally parallel and symmetrical with one another. However, it is to be recognized that the spinal hinge lines 20 may be slightly concave towards each other or slightly convex away from each other or a combination thereof. If a clam shell is selected for the food container 10, the spinal hinge lines 20 should be generally perpendicular to the hinge of the clam shell.

Referring back to Figs. 1 and 2 and examining the spine 24 in more detail, the spine 24 has a width 26, taken generally perpendicular to the principal direction of the spinal hinge lines 20. If the spinal hinge lines 20 are not straight, the width 26 of the spine 24 is

taken directly perpendicular to the spinal hinge lines 20 at the point(s) where the spinal hinge lines 20 intercept the peripheral region 16. The width 26 of the spine 24 is measured along this perpendicular, from the centerline of the first spinal hinge line 20 to the centerline of the second spinal hinge line 20 along the outer surfaces of the food container 10 while it is in the closed position of Fig. 2.

The width 26 of the spine 24 is important to providing the bistable characteristics of the food container 10. Preferably, the width 26 of the spine 24 is approximately two times the Z-dimension depth 19 from the central region 14 to the peripheral region 16, taken at the vertices 50 described above. By proportioning the width 26 of the spine 24 to be approximately two times the Z-dimension depth 19, the food container 10 can remain in the closed position without undue stress or being unstable. The spine width 26 will be tapered if the Z-direction depth 19 varies between the diametrically opposed vertices 50.

Referring to Figs. 7-8, it is not necessary that the spine 24 be centered on the food container 10 or centered on a diameter D of a round food container 10. For example, the spine 24 may be offset relative to the diameter D of a round food container. Such configurations are feasible and within the scope of the claimed invention. This arrangement allows for partial covering of the contents of the food container. This embodiment may be useful where increased venting or contact between the contents and the atmosphere is desired.

Referring to Figs. 9-10, the common points 30 of the spine 24 may also be centered on a diameter D, with the spinal hinges line 20 unequally spaced, in the width direction, from this diameter. In this configuration, the common points 30 are diametrically opposed, unlike the embodiments of Figs 7-8 where the common points 30 lie on a chord. In the embodiment of Figs. 9-10, the wings 22 will not be isomeres of one another. Instead, one wing 22 will be shorter, in the width direction, than the other wing 22. However, it is to be recognized as illustrated in Fig. 10 that when the food container 10 is articulated to the closed position, the spine 24 will not be perpendicular to the wings 22. Instead, the spine 24 will be disposed in a non-perpendicular relationship relative to the wings 22.

Referring to Figs. 1, 7, and 9, as the spinal hinge lines 20 approach the peripheral region 16 of the food container 10, the spinal hinge lines 20 may converge towards one another. Upon convergence, the spinal hinge lines 20 intercept each other at a common point 30 juxtaposed with the peripheral region 16 of the food container 10. Preferably the common point 30 is coincident the highest Z-direction elevation of the peripheral region 16.

Referring to Figs. 12A and 12B, the hinge lines 20 may converge towards this common point 30 at a predetermined azimuthal angle 32A. The instantaneous azimuthal angle 32A measured as the included angle between the spinal hinge lines 20, is nominally equivalent to two times the instantaneous angle 32B taken in the Z-direction, at which the peripheral region 16 of the food container 10 rises from the central region 14 of the food container 10.

Referring to Figs. 1, 7, 9, 11, and 12A the spinal hinge lines 20 may be provided by any means well known in the art. Preferably, the spinal hinge lines 20 comprise lines of weakness, reducing the bending force across that hinge line 20 and allowing the food container 10 to fold in a predetermined manner. The spinal hinge lines 20 may be disposed on the tension side 36 or the compression side 38 of the food container 10. Suitable spinal hinge lines 20 include score lines, and perforations if the intended use does not involve liquids. Material can be cut or removed from the food container 10 to form the spinal hinge lines 20. Preferably, however, material is compressed or densified to form the spinal hinge lines 20. Scoring design and techniques are well known in the art.

The spinal hinge lines 20 according to the present invention are considered to be multi-planar. By "multi-planar" it is meant that the spinal hinge lines 20 traverse a single direction, and extend, at least for a discernible distance, in a direction having a vector component perpendicular to the first direction.

Preferably, the point at which the spinal hinge lines 20 deviate from the first direction is coincident a topographical or structural feature of the food container 10. As illustrated in the figures the spinal hinge lines 20 generally deviate from planarity at the points where the spinal hinge lines 20 intercept the peripheral region 16 of the food container 10.

At these points, one or more connector hinge lines 40 having a principal direction generally perpendicular to the spinal hinge lines 20 may be provided. Preferably two such connector hinge lines 40 are provided and are diametrically opposite the center of the food container 10, as illustrated in Fig. 1. The connector hinge lines 40 may be juxtaposed with and approximate the inwardly disposed portion of the peripheral region 16 of the food container 10. Preferably, the connector hinge lines 40 are congruent thereto and therefore, may subtend an arc equivalent to the width 26 of the spine 24.

The connector hinge lines 40 intercept the spinal hinge lines 20 at two vertices 50. The vertices 50 are disposed on the radially outermost portion of the central region 14, and coincident the Z-direction elevation of the central region 14. The two vertices 50 and their respective common point 30 (where the spinal hinge lines 20 intercept one another) form a generally triangular panel 52. Without being bound by theory, it is believed the triangular panel 52 may inflect from a concave inward position to a concave outward position and assist the food container 10 in remaining in the first and second positions. However it has been found that the existence of material in the triangular panels 52 is not critical to the claimed invention, although its absence will allow leakage.

The food container 10 according to the present invention may be made of a rigid material, particularly a material which provides for inflection of triangular panel 52, as noted above. Suitable rigid materials include foam, plastic, and various other synthetic materials. The food container 10 may be made of cellulose and, if so, may be made of solid bleached sulfite or layers of various types of fibers including recycled cellulose. If desired, additional rigidity and thermal insulating capability may be provided by the materials selected for the food container 10. For example, the food container 10 may be made of corrugated board.

Corrugated board comprises a generally flat layer, and a corrugated layer. The corrugated layer is not joined at all positions to the flat layer, but instead has ribs which are spaced apart from the flat layer and troughs joined to the flat layer. The ribs and troughs are often straight and parallel, but may be sinusoidal. In cross section, a rib may be S-shaped, C-shaped, Z-shaped, or have any other configuration known in the art. Furthermore, if desired, a second flat panel may be joined to the corrugated medium and disposed oppositely from the first flat panel.

The food container 10 may be molded from a pulp slurry or pressed from a blank between mating plate-shaped platens. Both methods of manufacture are well known in the art.

If desired one or more fastening devices 60 may be added to the food container 10 to assist in maintaining the food container 10 in the closed second position. Fastening devices 60 are well known in the art. For the embodiment described herein, having a generally round shape two fastening devices 60 may be provided on the food container 10. The fastening devices 60 may be disposed at positions subtending an included angle of 60° or greater. For the embodiments described herein, a 90° included angle allows the fastening devices 60 to be positioned midway between the common points 30 and the point on the edge 18 of the food container 10 furthest from the spine 24 when the food container 10 is in the closed position.

Suitable fastening devices 60 include those having two complementary portions which are peripherally spaced apart, and preferably oppositely disposed. One portion is disposed on each isomere of the food container 10. Suitable fastening devices 60 include pressure sensitive adhesive, selectively activatable adhesive, hook and loop fasteners, tab and slot fasteners, and cohesive fasteners. Selectively activatable adhesive may be used if one wishes to completely seal the food container 10 according to the present invention for relatively long term food storage. The fastening devices 60 may be made generally in accordance with commonly assigned U.S. Patents 4,979,613 issued December 25, 1990 to McLaughlin et al.; 5,230,851 issued July 27, 1993 to Thomas; or 5,662,758 issued Sept. 2, 1997 to Hamilton et al., the disclosures of which are incorporated herein by reference. If desired embossed and deformable mating snap fasteners wherein one wing of the food container 10 locks or mechanically latches into the other wing of the food container 10 may be utilized.

While disposable food containers 10 have been described above, it is to be recognized that durable and reusable food containers are within the scope of the claimed invention as well. Additionally, the materials from which the food container 10 are made need not be the same throughout. For example, the spine 24 of the food container 10 may be made of a heavier material than the wings 22. Also, one wing 22 may be longer, heavier or differently shaped than the other wing 22 if, for example, it is desired to have

the second wing 22 serve primarily as a lid for the first wing 22. Also, the wings 22 need not be isomeres of each other. Asymmetrical configurations (as taken both parallel and perpendicular to the spine 24) as illustrated in Figs. 5-10, are within the scope of the claimed invention as well. Additionally, the food container 10 may comprise an upstanding partition, as illustrated in Fig. 6, to provide separate compartments within the food container 10. The upstanding partition may intercept the spinal hinge lines 20.

The food container 10 may be executed in a variety of configurations and geometries. However, one of ordinary skill will recognize there are practical limits to the possible geometries. For example, as the radius of the central region 14 approaches the Z-direction depth 19 of the food container 10, the volume of the food container 10 will be limited when it is in the closed position.

Furthermore, the peripheral region 16 of each wing 22 of the food container 10 need not be in registry with the peripheral region 16 of the other wing 22 when the food container 10 is in the closed position. Although such embodiments are illustrated one of ordinary skill will recognize that a food container 10 having the peripheries 16 of the wings 22 offset from one another in the closed position may also be desirable as illustrated in Fig. 8. Such a configuration allows for venting of steam, etc., during cooking.

Referring to Fig. 11, the food container 10 of the present invention is suitable for use with elliptical and other non-aximmetrically shaped food containers 10. For example, the food container may have unequal major and minor axes A, I. In such a configuration, a spine 24 and spinal hinge lines 20 may be provided in the two mutually perpendicular directions coincident the major and minor axes A, I. Of course, one will recognize that a spine 24 and spinal hinge lines 20 may be provided in a direction intermediate the major axis A and minor axis I of the food container 10. The embodiment of Fig. 11 provides the advantage that, depending upon the direction selected for articulation from the open position to the closed position, the food container 10 may have different aspect ratios in the closed position. Thus, contents of different shapes may be readily accommodated by the food container 10. Also, a round food container 10 may be provided with plural spines 24 and associated spiral hinge lines 20.

Many other combinations and variations are feasible and within the scope of the appended claims.

12
~~13-1~~**WHAT IS CLAIMED IS:**

1. A food container 10 having a central region 14 and a peripheral region 16
5 circumscribing said central region 14, said central region 14 and said peripheral
 region 16 being disposed in two different planes, said central region 14 of said
 food container 10 being articulable about a plurality of multi-planar hinge lines
 20, each said hinge line 20 traversing a first direction and extending for a
10 discernible distance in a direction having a vector component perpendicular to
 said first direction, characterized in that said multi-planar hinge lines 20 divide
 said food container 10 into two articulable outboard wings 22 and a spine 24
 disposed between said wings 22.
2. A food container 10 according to Claim 1 wherein said hinge lines 20 divide
 said food container 10 into isomeric sections.
- 15 3. A food container 10 according to Claim 2 having two hinge lines 20, wherein
 said food container 10 has an edge 18 at the peripheral region 16 thereof, and
 said two hinge lines 20 converge at two peripherally spaced apart points
 juxtaposed with said edge 18.
4. A food container 10 according to Claims 1, 2, 3 and 4 wherein said hinge lines
20 20 comprise first and second spaced apart hinge lines 20, said container further
 comprising two connector hinge lines 40, said two connector hinge lines 40
 joining said first and second spaced apart hinge lines 20, preferably said
 connector hinge lines 40 being generally perpendicular to said first and second
 hinge lines 20.
- 25 5. A bi-stable food container 10, said food container 10 having a central region 14
 and a circumjacent peripheral region 16, said peripheral region 16 being
 disposed in a different plane than said central region 14, said food container 10
 being articulably transformable between two positions, a first open position
 wherein said food container 10 can receive food, and a second closed position,
30 wherein said food container 10 covers food, characterized in that said food
 container 10 can indefinitely remain in either said first position or said second
 position without a separate locking device, said food container 10 not moving

AMENDED SHEET

13
14-1

from said first position to said second position, or from said second position to said first position, or from either said position to an intermediate position, without external influence.

- 5 6. A food container 10 according to Claim 5 wherein said food container 10 is articuable between said first and second positions about two spaced apart hinge lines 20 and said central region 14 and said peripheral region 16 are spaced apart by a Z-direction depth 19, and said hinge lines 20 are spaced apart a distance equal to twice said Z-direction depth 19, said hinge lines 20 intercepting said peripheral region 16, said spacing being measured generally perpendicular to said hinge lines 20 at the position where said hinge lines 20 intercept said peripheral region 16.
- 10 7. A food container 10 according to Claim 1, 2, 3, 4, 5 and 6 wherein said food container 10 is articuable between a first open position and a second closed position, said food container 10 further comprising a closure 60, said closure 60 maintaining said food container 10 in said second closed position when used therefor.
- 15 ~~8. A method of using a food container 10 for preparing food or eating food therefrom and optionally disposing of residual food, said method comprising the steps of:~~
- 20 providing a food container 10, said food container 10 having an open position for receiving food thereon and a closed position for covering said food, said food container being in said open position;
- 25 depositing food thereon;
- characterized in that said food container 10 is articulated about a plurality of hinge lines 20, each hinge line 20 traversing a first direction and extending for a discernible distance in the direction having a vector component perpendicular to said first direction, said hinge lines 20 dividing said food container 10 into two outboard wings 22 and a spine 24 disposed between said wings 22 to cover food deposited on a wing of said food container 10.
- 30 9. A method according to Claim 8 further comprising the step of:
- ~~storing food in said food container 10 prior to eating said food;~~

- ~~from said first position to said second position, or from said second position to said first position, or from either said position to an intermediate position, without external influence.~~
- 5 6. A food container 10 according to Claim 5 wherein said food container 10 is articuable between said first and second positions about two spaced apart hinge lines 20 and said central region 14 and said peripheral region 16 are spaced apart by a Z-direction depth 19, and said hinge lines 20 are spaced apart a distance equal to twice said Z-direction depth 19, said hinge lines 20 intercepting said peripheral region 16, said spacing being measured generally perpendicular to said hinge lines 20 at the position where said hinge lines 20 intercept said peripheral region 16.
- 10 7. A food container 10 according to Claim 1, 2, 3, 4, 5 and 6 wherein said food container 10 is articuable between a first open position and a second closed position, said food container 10 further comprising a closure 60, said closure 60 maintaining said food container 10 in said second closed position when used therefor.
- 15 8. A method of using a food container 10 for preparing food or eating food therefrom and optionally disposing of residual food, said method comprising the steps of:
- 20 providing a food container 10, said food container 10 having an open position for receiving food thereon and a closed position for covering said food, said food container being in said open position;
- depositing food thereon;
- 25 characterized in that said food container 10 is articulated about a plurality of multi-planar hinge lines 20, each hinge line 20 traversing a first direction and extending for a discernible distance in the direction having a vector component perpendicular to said first direction, said hinge lines 20 dividing said food container 10 into two outboard wings 22 and a spine 24 disposed between said wings 22 to cover food deposited on a wing of said food container 10.
- 30 ~~9. A method according to Claim 8 further comprising the step of storing food in said food container 10 prior to eating said food;~~

9. A method according to Claim 8 further comprising the step of storing food in said food container 10 prior to eating said food; and preferably further comprising the steps of heating said food while said food container 10 is in said closed position; and opening said food container to said open position.

5 10. A method of serving food, said method comprising the steps of:
providing a food container 10, said food container 10 having an open position for receiving food thereon and a closed position for covering said food, said food container being articulable between said open position and said closed position, said food container 10 being in said open position;
depositing food thereon;
10 characterized in that said food container 10 is articulated about a plurality of multi-planar hinge lines 20, each hinge line 20 traversing a first direction and extending for a discernible distance in the direction having a vector component perpendicular to said first direction, said hinge lines 20 dividing said food container 10 into two outboard wings 22 and a spine 24 disposed between said
15 wings 22 to said closed position, thereby enclosing said food;
heating said food;
said food container 10 is articulated to said open position.

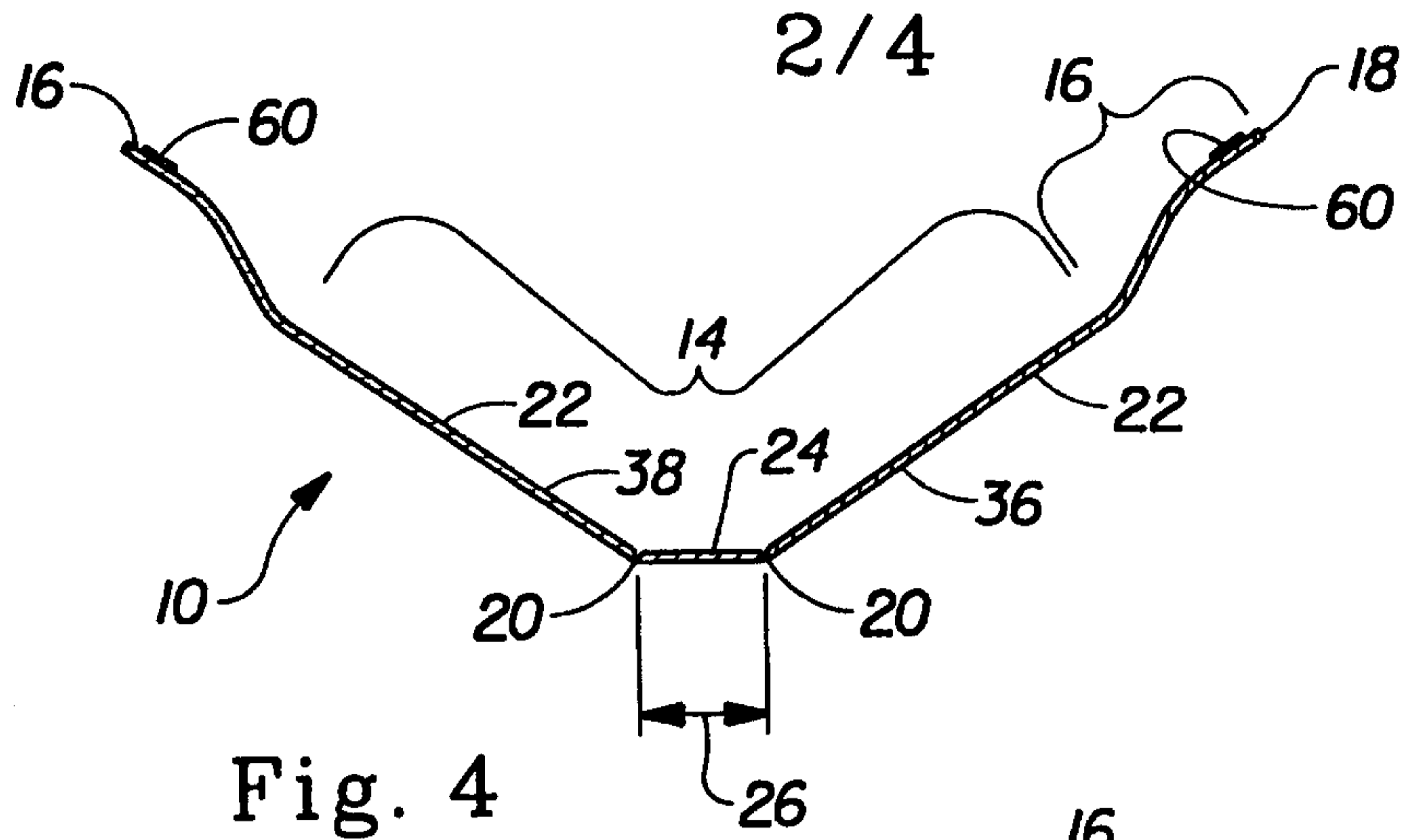


Fig. 4

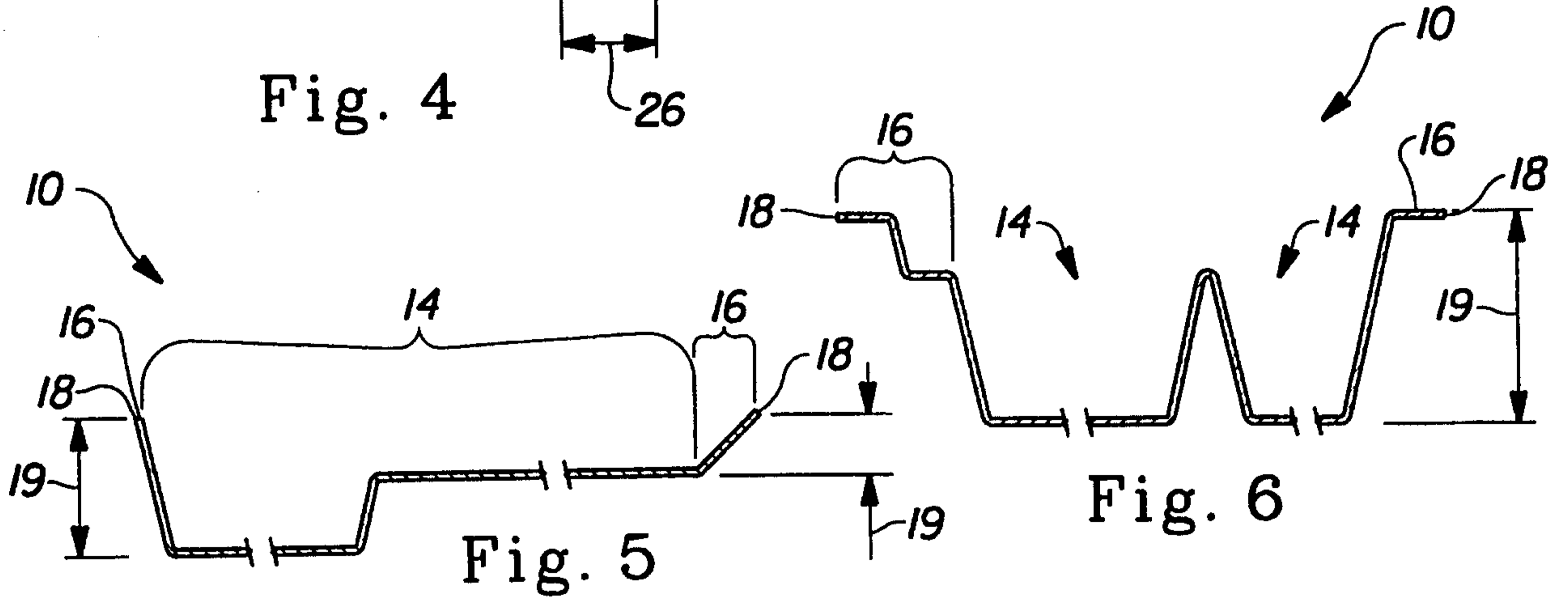


Fig. 5

Fig. 6

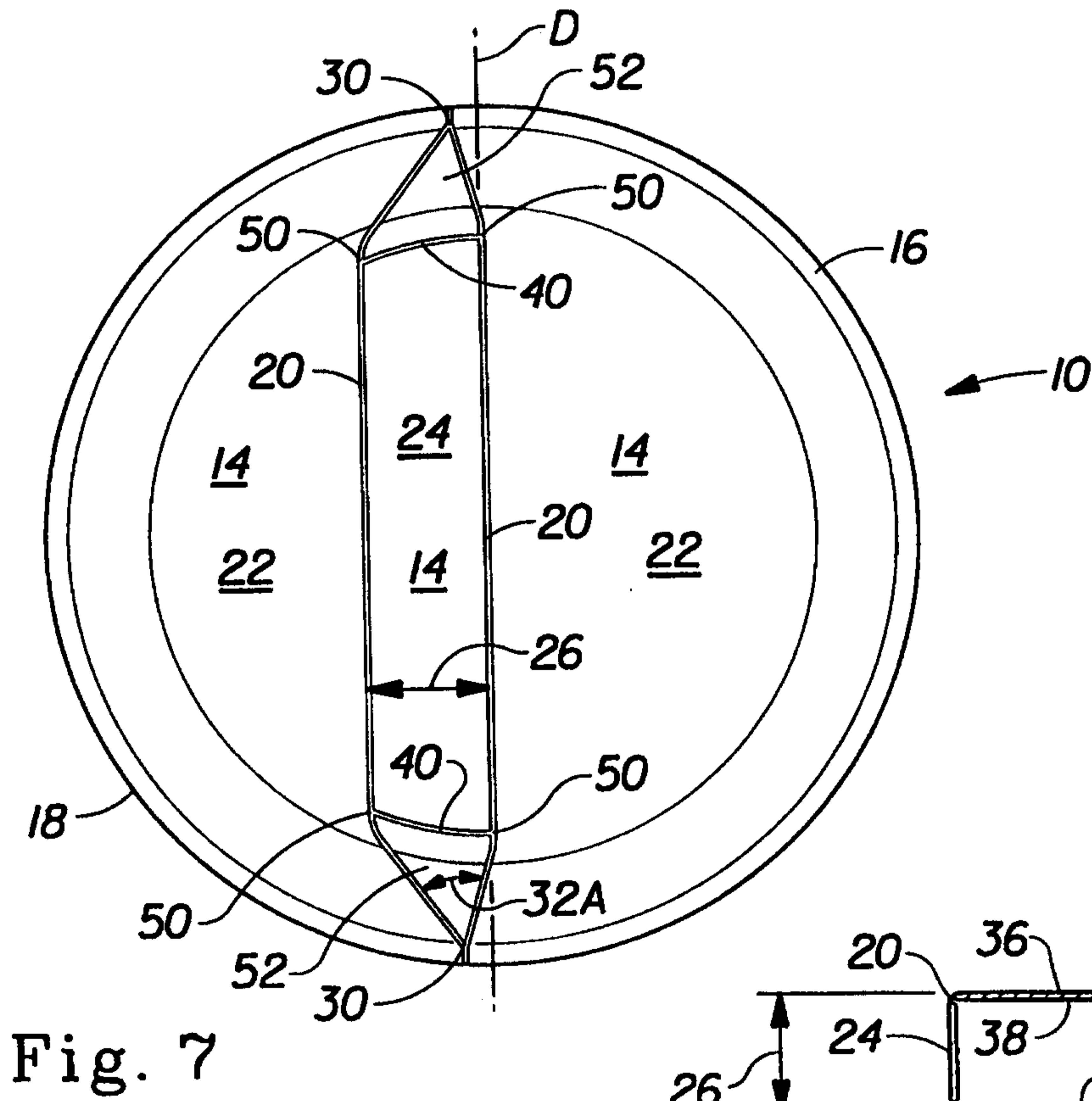


Fig. 7

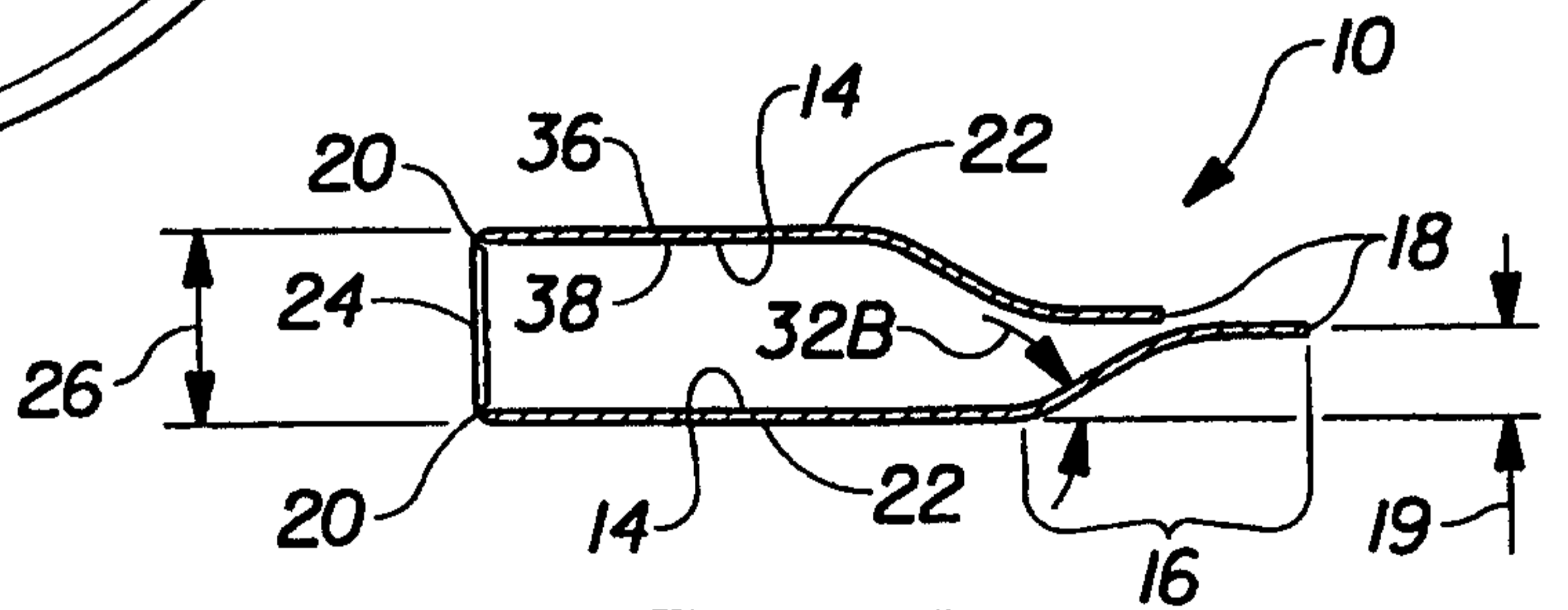
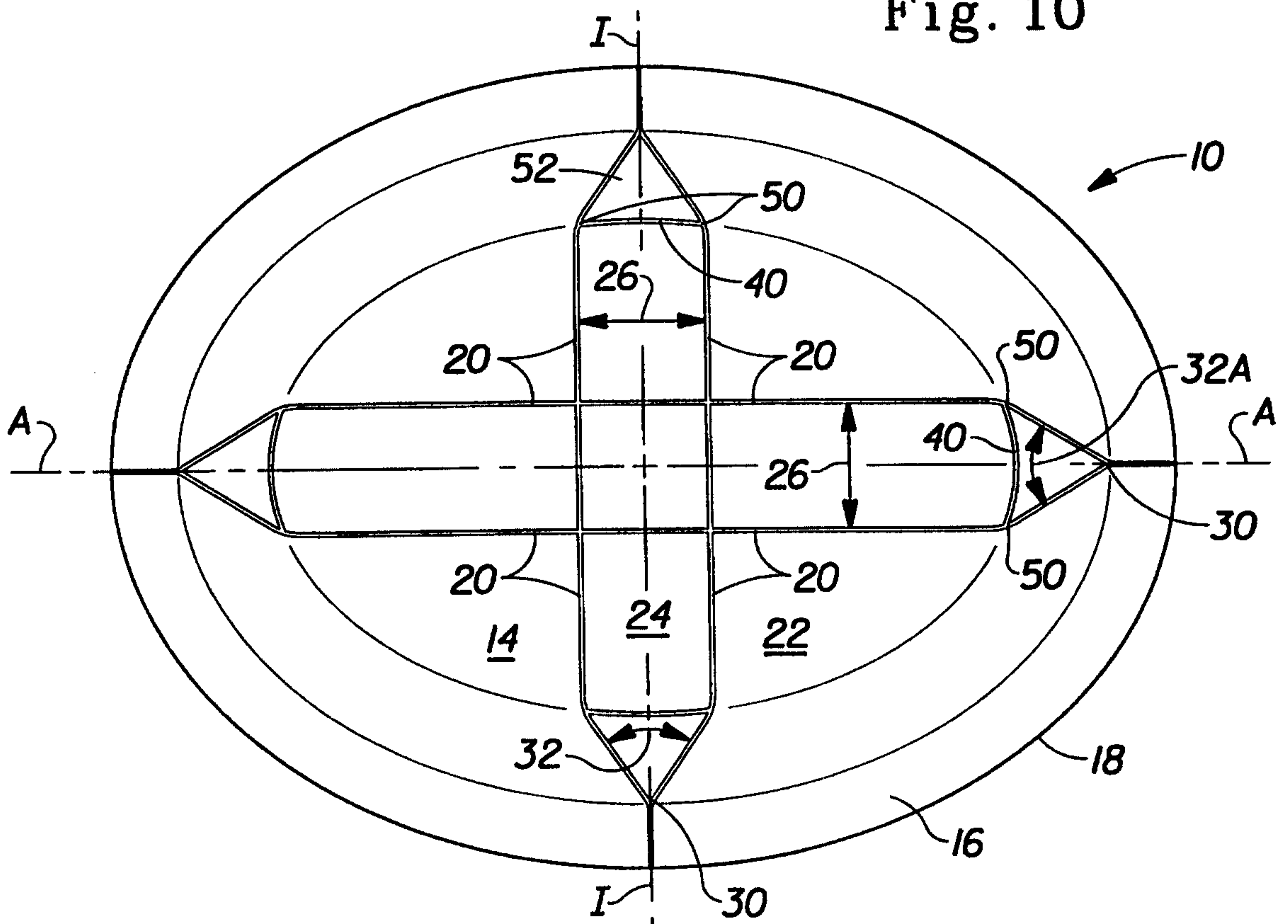
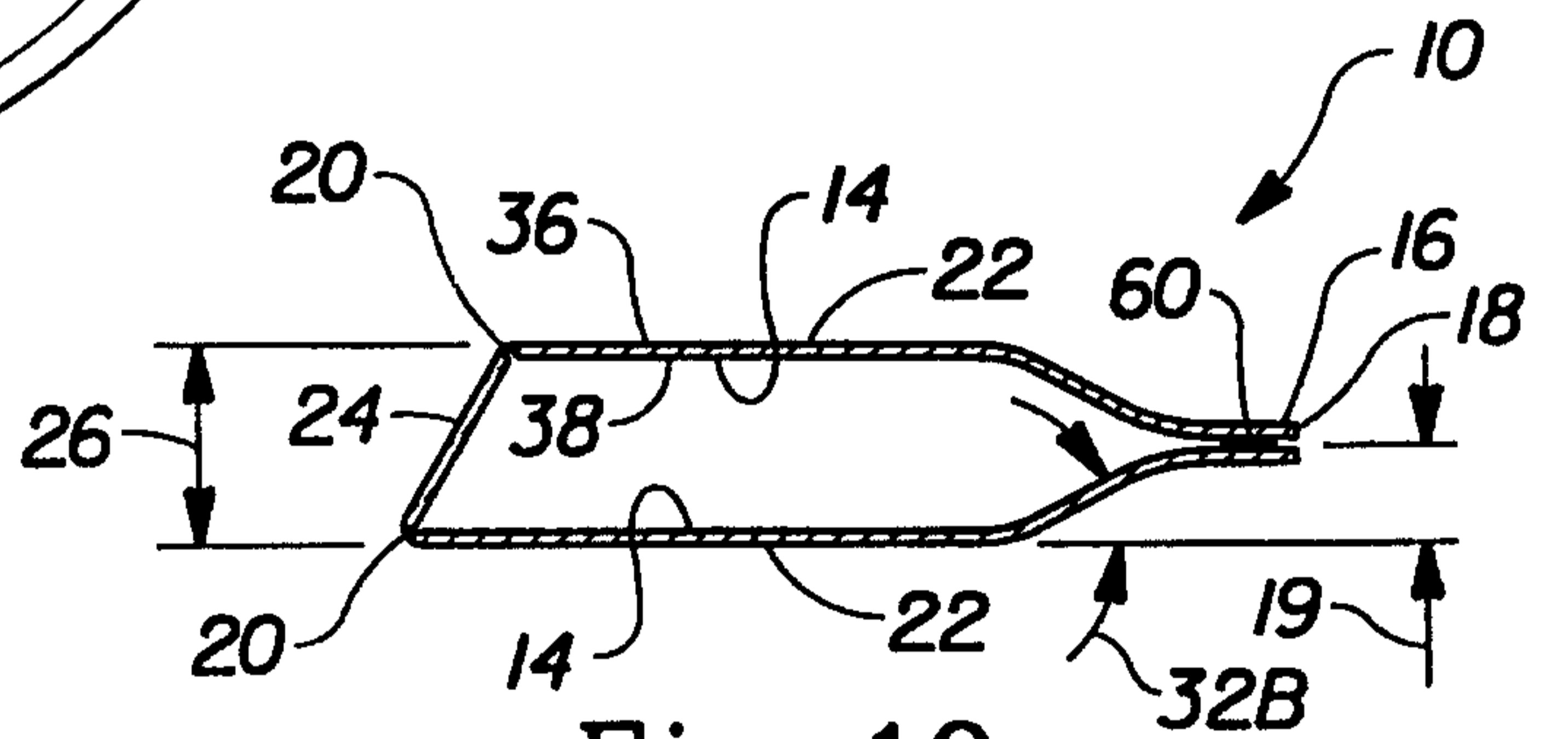
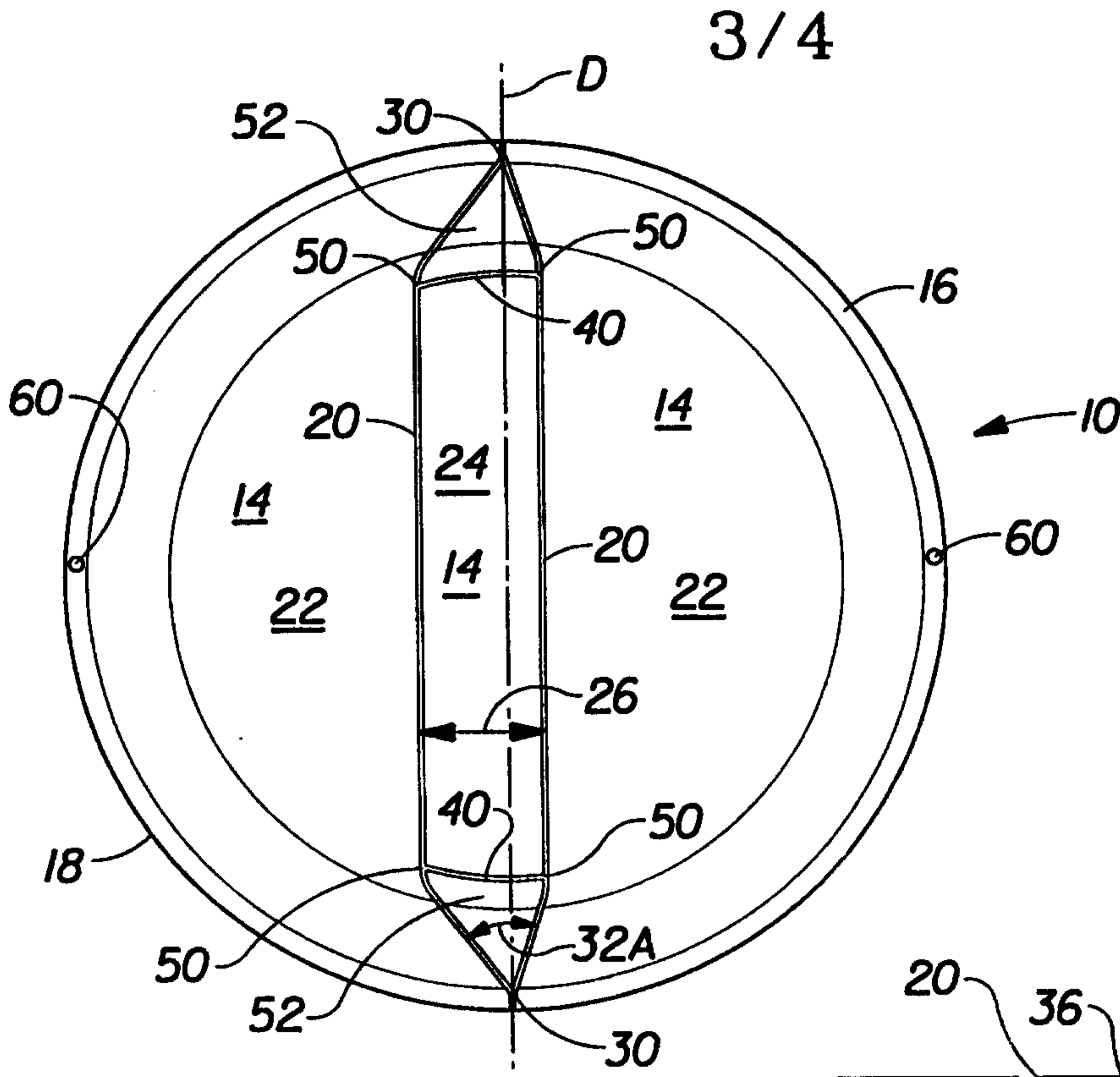


Fig. 8



4 / 4

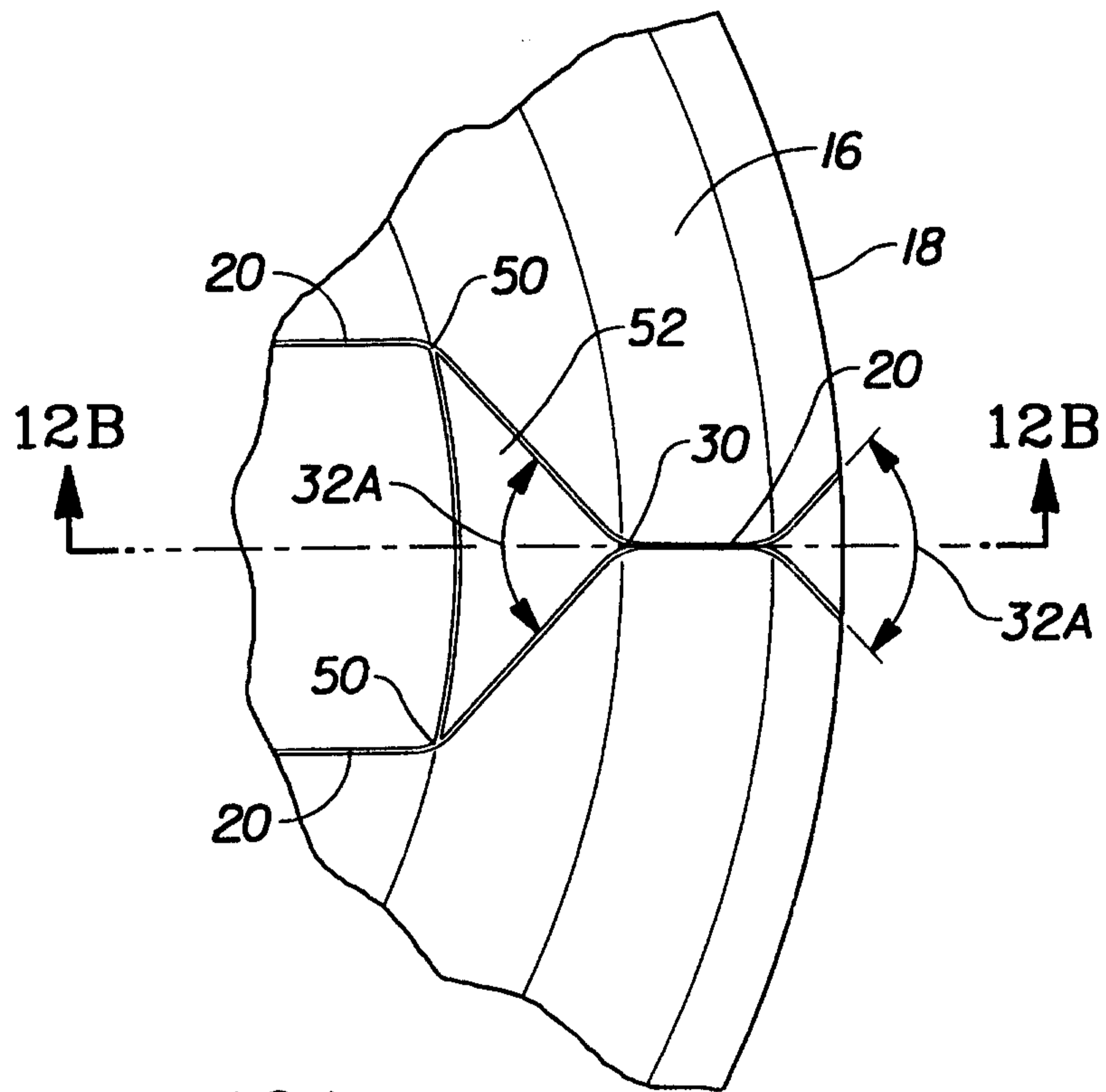


Fig. 12A

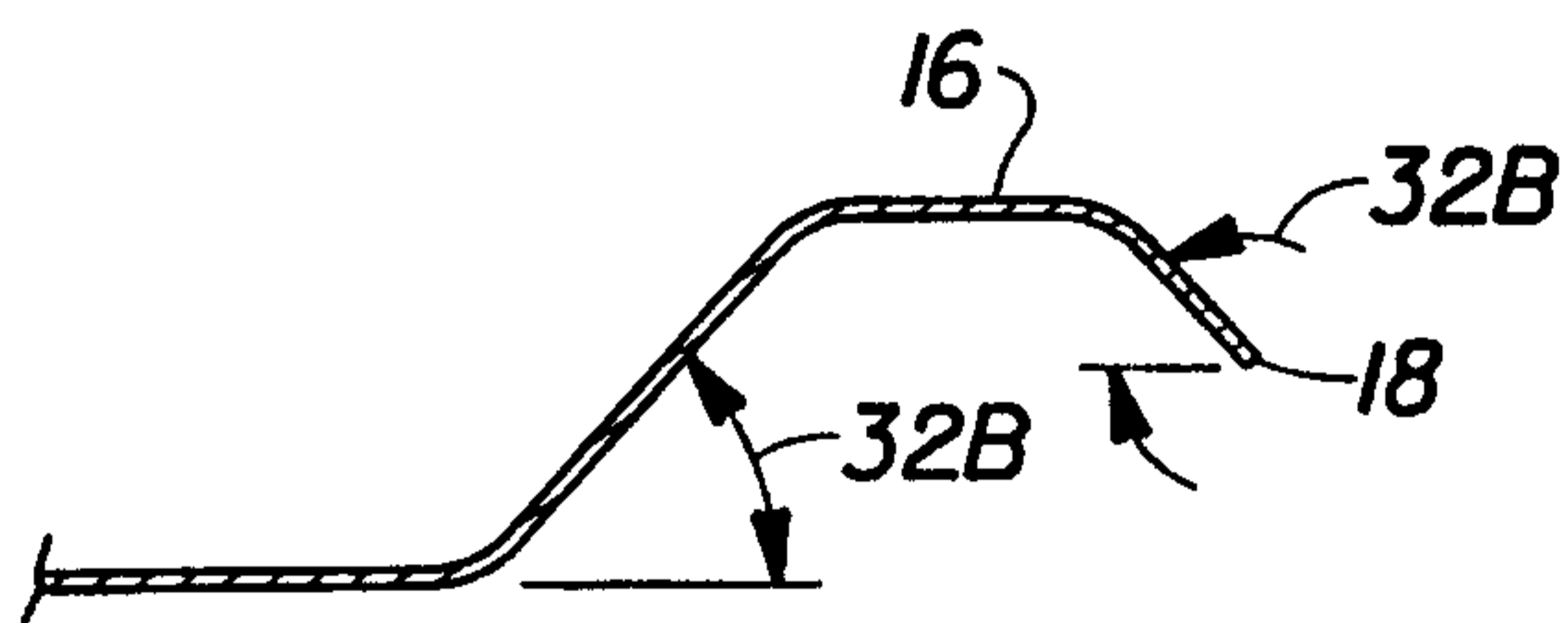


Fig. 12B

