

[54] ELECTRIC FRAGRANCE DISPENSER

[75] Inventor: Chella Luthy, New York, N.Y.

[73] Assignee: Creative Environments Inc., New York, N.Y.

[**] Term: 14 Years

[21] Appl. No.: 114,774

[22] Filed: Oct. 30, 1987

[52] U.S. Cl. D23/366

[58] Field of Search D23/355, 364, 366, 367; 219/271, 274, 273, 276; 261/142; 422/123, 124, 125, 4; D13/28, 29, 32, 38

[56] References Cited

U.S. PATENT DOCUMENTS

| | | | | |
|------------|---------|-----------|-------|---------|
| D. 100,527 | 7/1936 | Dreyfuss | | D13/28 |
| 2,611,068 | 9/1952 | Wellens | | 422/125 |
| 2,691,716 | 10/1954 | Wellens | | 219/271 |
| 3,748,438 | 7/1973 | Costello | | 219/271 |
| 4,391,781 | 7/1983 | van Lit | | 422/125 |
| 4,588,874 | 5/1986 | Napierski | | 219/271 |
| 4,813,344 | 3/1989 | Greif | | 422/124 |

FOREIGN PATENT DOCUMENTS

| | | | | |
|---------|--------|----------------|-------|---------|
| 473267 | 5/1951 | Canada | | 219/276 |
| 1012354 | 7/1952 | France | | 219/274 |
| 296845 | 2/1954 | Switzerland | | 422/4 |
| 1514712 | 6/1978 | United Kingdom | | 422/123 |

OTHER PUBLICATIONS

British Plastics, 7/53, p. 260, Heavy-Duty Electrical Plug and Socket (E. F. Cole, Ltd.).

Primary Examiner—James M. Gandy
Assistant Examiner—Lisa Lichtenstein
Attorney, Agent, or Firm—Milde & Robinson

[57] CLAIM

The ornamental design for an electric fragrance dispenser, as shown.

DESCRIPTION

FIG. 1 is a perspective view of the electrical fragrance dispenser, showing my new design.
FIG. 2 is an enlarged front elevation view thereof.
FIG. 3 is an enlarged side elevation view thereof.
FIG. 4 is an enlarged rear elevation view thereof.

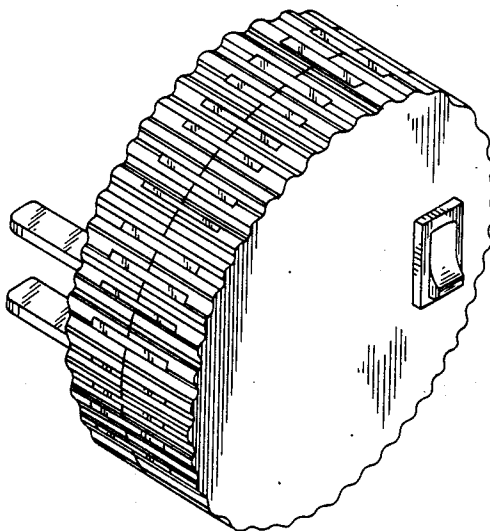


FIG. 1

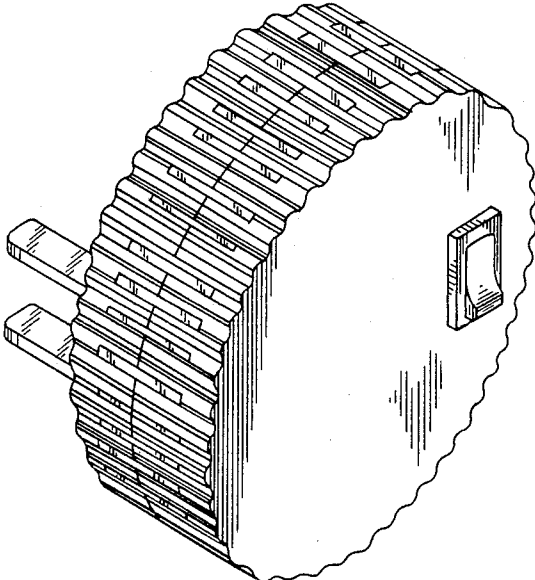


FIG. 2

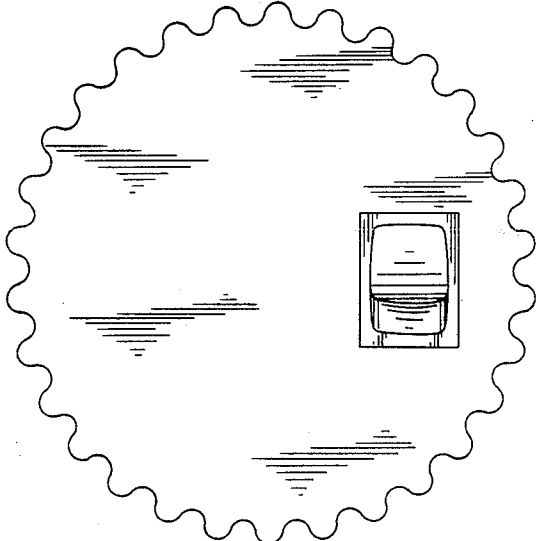


FIG. 3

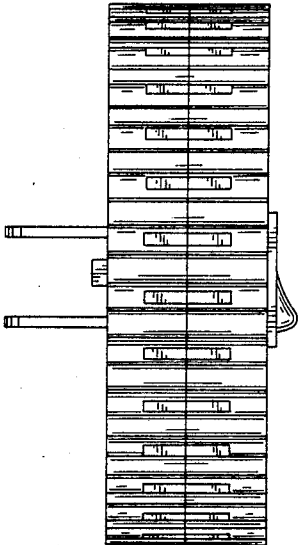


FIG. 4

