



US00D922176S

(12) **United States Design Patent**
Bullock et al.

(10) **Patent No.:** **US D922,176 S**

(45) **Date of Patent:** **** Jun. 15, 2021**

- (54) **LATCH**
- (71) Applicant: **YETI Coolers, LLC**, Austin, TX (US)
- (72) Inventors: **Dustin Bullock**, Austin, TX (US); **John Loudenslager**, Austin, TX (US); **John Fritz**, Austin, TX (US); **Michael Cieszko**, Austin, TX (US); **Andrew J. Winterhalter**, Austin, TX (US)

2,856,092 A	10/1958	Knapp
3,035,733 A	5/1962	Knapp
3,414,160 A	12/1968	Weber
4,143,695 A	3/1979	Hoehn
4,162,029 A	7/1979	Gottsegen et al.
4,351,165 A	9/1982	Gottsegen et al.
4,368,819 A	1/1983	Durham
4,459,827 A	7/1984	Rhodes
4,484,682 A	11/1984	Crow
4,537,044 A	8/1985	Putnam
4,592,482 A	6/1986	Seager

(Continued)

(73) Assignee: **YETI Coolers, LLC**, Austin, TX (US)

(**) Term: **15 Years**

FOREIGN PATENT DOCUMENTS

(21) Appl. No.: **29/711,745**

BE	463027 A	3/1946
CA	152932 A	1/1914

(Continued)

(22) Filed: **Nov. 1, 2019**

Related U.S. Application Data

(63) Continuation of application No. 16/218,089, filed on Dec. 12, 2018, now Pat. No. 10,766,672.

(51) **LOC (13) Cl.** **08-07**

(52) **U.S. Cl.** **D8/336**

(58) **Field of Classification Search**

USPC D8/331, 336, 339, 342

CPC E05B 65/48; E05B 65/50; E05B 65/52;

E05B 65/5246; E05B 65/5253; E05B

65/5215; B65D 43/164; A45C 13/00;

A45C 13/10

See application file for complete search history.

(56) **References Cited**

U.S. PATENT DOCUMENTS

1,004,688 A	10/1911	Hunt
2,555,126 A	5/1951	Greve
2,652,698 A	9/1953	Schlumbohm
2,706,895 A	4/1955	Thompson et al.
2,803,368 A	8/1957	Koch
2,850,885 A	9/1958	Mohr et al.

May 27, 2020—(WO) Partial International Search—PCT/US2019/065859.

(Continued)

Primary Examiner — Doris Clark

(74) *Attorney, Agent, or Firm* — Banner & Witcoff, Ltd.

(57) **CLAIM**

The ornamental design for a latch, as shown and described.

DESCRIPTION

FIG. 1 is a front, right, perspective view of a latch showing our new design;

FIG. 2 is a front view thereof;

FIG. 3 is a rear view thereof;

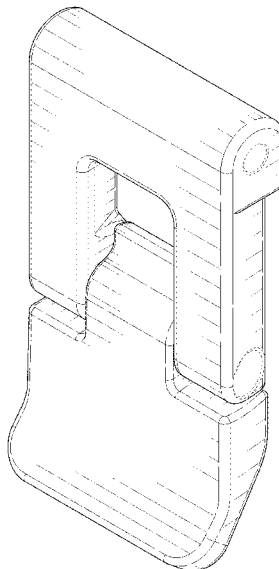
FIG. 4 is a left side view thereof;

FIG. 5 is a right side view thereof;

FIG. 6 is a top view thereof; and,

FIG. 7 is a bottom view thereof.

1 Claim, 5 Drawing Sheets



(56)

References Cited

U.S. PATENT DOCUMENTS

4,623,076	A	11/1986	Karpal	6,789,692	B2	9/2004	Prezelin	
4,648,512	A	3/1987	Tarozzi et al.	6,789,693	B2	9/2004	Lassiter	
4,802,344	A	2/1989	Livingston et al.	6,955,381	B2	10/2005	Parker et al.	
4,846,493	A	7/1989	Mason	6,976,370	B2	12/2005	Fiene	
4,858,444	A	8/1989	Scott	6,993,931	B1	2/2006	Hamilton	
4,873,841	A	10/1989	Bradshaw et al.	7,013,671	B1	3/2006	Bolda	
4,939,912	A	7/1990	Leonovich, Jr.	7,066,347	B2	6/2006	Slovak et al.	
D311,476	S	10/1990	Kumakura	D528,368	S	9/2006	Maldonado	
4,988,216	A	1/1991	Lyman	7,128,369	B2	10/2006	Boggs et al.	
5,007,250	A	4/1991	Musiela	7,147,125	B1	12/2006	Slovak et al.	
5,024,359	A	6/1991	Thomas	7,243,676	B2	7/2007	Bailey	
5,044,513	A	9/1991	Van Berne	D548,565	S	8/2007	Vickers	
5,050,767	A	9/1991	Peer	7,313,927	B2	1/2008	Barker	
D324,165	S	2/1992	Bressler et al.	7,328,818	B2	2/2008	Prabucki	
5,095,718	A	3/1992	Ormond et al.	7,344,028	B2	3/2008	Hanson	
5,169,018	A	12/1992	Fiore	7,357,709	B2	4/2008	Zukor et al.	
5,184,477	A	2/1993	Brown et al.	7,360,784	B2	4/2008	Stewart et al.	
D333,775	S	3/1993	Krape	7,389,608	B1	6/2008	MacKay	
5,213,381	A	5/1993	Anderson	7,412,846	B2	8/2008	Sekiya et al.	
5,249,438	A	10/1993	Rhaney et al.	7,461,871	B2	12/2008	Vauchel	
5,251,460	A	10/1993	DeMarco et al.	7,540,364	B2	6/2009	Sanderson	
5,251,542	A	10/1993	Itoh et al.	D598,194	S	8/2009	Turvey et al.	
5,259,215	A	11/1993	Rocca	7,597,478	B2	10/2009	Pruchnicki et al.	
5,284,294	A	2/1994	Floyd	D603,684	S *	11/2009	Martis	D8/331
5,295,365	A	3/1994	Redford	7,621,417	B2	11/2009	Peterson et al.	
5,313,817	A	5/1994	Meinders	7,658,213	B1	2/2010	Anderson et al.	
5,319,937	A	6/1994	Fritsch et al.	7,677,406	B2	3/2010	Maxxon	
5,329,787	A	7/1994	Friday	7,677,580	B2	3/2010	Vanderberg et al.	
5,350,081	A	9/1994	Graham	7,726,880	B2	6/2010	Zimmerman et al.	
5,363,977	A	11/1994	Hoff	7,735,334	B2	6/2010	Johnson	
5,373,708	A	12/1994	Dumoulin, Jr.	7,806,271	B1	10/2010	Kraska	
5,400,610	A	3/1995	Macedo	7,837,053	B2	11/2010	Arnett et al.	
5,403,095	A	4/1995	Melk	7,841,635	B2	11/2010	Fuchs	
5,423,426	A	6/1995	Harper	7,874,743	B2	1/2011	Berkey et al.	
5,447,041	A	9/1995	Piechota	7,905,243	B2	3/2011	Minard et al.	
5,460,285	A	10/1995	Harding, Sr.	8,016,153	B2	9/2011	Boenig et al.	
5,562,228	A	10/1996	Ericson	8,052,004	B2	11/2011	Cheng et al.	
5,626,373	A	5/1997	Chambers et al.	8,123,236	B1	2/2012	Helenihi	
5,738,238	A	4/1998	Yang	8,152,367	B2	4/2012	Roberts et al.	
5,740,940	A	4/1998	Weiss	8,176,749	B2	5/2012	LaMere et al.	
5,845,515	A	12/1998	Nelson	8,191,747	B2	6/2012	Pruchnicki	
5,860,281	A	1/1999	Coffee et al.	8,215,518	B2	7/2012	Hyde et al.	
5,865,037	A	2/1999	Bostic	8,251,245	B2	8/2012	DiPietro et al.	
5,913,448	A	6/1999	Mann et al.	8,256,156	B1	9/2012	Burgoyne, Jr.	
5,944,205	A	8/1999	LaJoie et al.	8,297,464	B2	10/2012	Grenier et al.	
5,971,218	A	10/1999	Le	8,308,008	B2	11/2012	Perry et al.	
6,067,813	A	5/2000	Smith	8,353,418	B2	1/2013	Bork	
D427,885	S *	7/2000	Ayrest	8,430,284	B2	4/2013	Broadbent et al.	
				8,544,648	B2	10/2013	Cleveland et al.	
				8,544,670	B2	10/2013	Brilmyer	
				8,562,520	B2	10/2013	Rockrohr	
				8,573,002	B2	11/2013	Ledoux et al.	
				8,590,724	B2	11/2013	Kreidler et al.	
				8,596,485	B2	12/2013	Lindsay	
				8,622,235	B2	1/2014	Suhecki	
				8,622,279	B2	1/2014	Bamett	
				8,678,024	B2	3/2014	Freiler	
				8,701,928	B2	4/2014	Samson	
				D707,100	S	6/2014	Kinsky et al.	
				8,740,010	B1	6/2014	Page	
				8,746,498	B2	6/2014	Maldonado et al.	
				8,794,469	B2	8/2014	Bratsch	
				8,887,515	B2	11/2014	Patstone	
				D721,569	S *	1/2015	Ziegler	D8/339
				8,939,315	B2	1/2015	Pillow et al.	
				8,944,476	B1	2/2015	Henderson	
				8,967,419	B2	3/2015	Gerber et al.	
				8,979,073	B2	3/2015	Lykins et al.	
				8,979,144	B2	3/2015	Paugh et al.	
				9,027,722	B1	5/2015	Parker	
				9,052,025	B2	6/2015	Zinn et al.	
				9,091,477	B2	7/2015	Magnus	
				D739,302	S	9/2015	Nilsen et al.	
				9,126,747	B2	9/2015	Burgess et al.	
				9,132,598	B2	9/2015	Ernst	
				9,139,352	B2	9/2015	Seiders et al.	
				9,140,476	B2	9/2015	Eckhoff et al.	
				9,163,871	B1	10/2015	Costello	
				D744,810	S	12/2015	Pittman	
6,092,661	A	7/2000	Mogil					
6,158,745	A	12/2000	Deighton					
6,176,499	B1	1/2001	Conrado et al.					
6,192,703	B1	2/2001	Salyer et al.					
6,193,097	B1	2/2001	Martin Perianes et al.					
6,199,570	B1	3/2001	Patarra					
6,244,066	B1	6/2001	LaRose					
6,244,458	B1	6/2001	Frysinger et al.					
6,296,134	B1	10/2001	Cardinale					
6,296,165	B1	10/2001	Mears					
6,305,547	B1	10/2001	Curran					
6,336,577	B1	1/2002	Harris et al.					
6,398,272	B1	6/2002	Plummer et al.					
6,409,066	B1	6/2002	Schneider et al.					
6,427,886	B1	8/2002	Essex					
6,457,750	B1	10/2002	Sokurenko et al.					
6,484,880	B1	11/2002	Shaeffer					
6,622,881	B2	9/2003	Hardigg					
D482,241	S	11/2003	Tyler					
6,698,608	B2	3/2004	Parker et al.					
D489,595	S *	5/2004	Gleichauf					B62J 9/00 D8/336
6,736,309	B1	5/2004	Westerman et al.					
6,739,150	B2	5/2004	Mompo Garcia					
D491,440	S	6/2004	Pfeiffer et al.					
D492,184	S	6/2004	Parker et al.					

(56)

References Cited

U.S. PATENT DOCUMENTS

9,199,782	B1	12/2015	Cliatt	2010/0288776	A1	11/2010	Bodum
D747,950	S	1/2016	Jacobsen et al.	2011/0062157	A1	3/2011	Grimm
D747,951	S	1/2016	Jacobsen et al.	2011/0127264	A1	6/2011	Whalen
D748,452	S	2/2016	Jacobsen et al.	2011/0197625	A1	8/2011	Urban et al.
9,260,129	B2	2/2016	Thompson	2011/0215125	A1	9/2011	Lopez
9,265,318	B1	2/2016	Williams et al.	2011/0226785	A1	9/2011	Sakell
D750,953	S	3/2016	Jacobsen et al.	2012/0318808	A1	12/2012	McCormick
9,271,553	B2	3/2016	Ponx	2013/0043250	A1	2/2013	Kreidler et al.
9,271,595	B2	3/2016	Lee	2014/0226920	A1	8/2014	Passavia
9,278,704	B2	3/2016	Cates	2014/0252010	A1	9/2014	Miller
9,282,797	B1	3/2016	Soto	2015/0008242	A1	1/2015	Kpabar, Jr.
9,296,543	B2	3/2016	Wooldridge et al.	2015/0047635	A1	2/2015	Poree
9,310,118	B2	4/2016	Zavitsanos	2015/0136796	A1	5/2015	Muehlhauser
9,320,938	B1	4/2016	Belmore	2015/0300721	A1	10/2015	Rigoli
9,341,003	B2*	5/2016	Ely E05B 65/5276	2015/0345853	A1	12/2015	Oeyen
9,341,275	B2	5/2016	Peck et al.	2015/0375918	A1	12/2015	Holderness et al.
D759,590	S	6/2016	Wang	2016/0031617	A1	2/2016	Fauchaux, Jr. et al.
9,389,010	B1	7/2016	Booker, Sr.	2016/0073751	A1	3/2016	Charlebois et al.
9,414,893	B2	8/2016	Jacobson	2016/0113131	A1	4/2016	Ernesti et al.
9,415,787	B2	8/2016	Mericle	2016/0135559	A1	5/2016	Scally
9,462,796	B1	10/2016	Ellis et al.	2016/0244239	A1	8/2016	Nash
9,550,508	B1	1/2017	Parra	2017/0020256	A1	1/2017	Jankura et al.
9,572,410	B2*	2/2017	Fiedler E05B 47/004	2017/0055665	A1	3/2017	Lanzisera
9,578,938	B1	2/2017	Verneuille	2017/0101301	A1	4/2017	Volin
9,616,910	B2	4/2017	Chaloux et al.	2017/0156525	A1	6/2017	Guy et al.
9,648,990	B1	5/2017	Corney	2017/0159989	A1	6/2017	Bodnar
9,668,510	B2	6/2017	Doman	2017/0197765	A1	7/2017	Hu et al.
9,669,986	B1	6/2017	Evans	2017/0254578	A1	9/2017	Kriesel
9,676,522	B1	6/2017	Stovall	2017/0259956	A1	9/2017	Hori et al.
9,718,070	B2	8/2017	Arminak et al.	2017/0292756	A1	10/2017	Fenko et al.
9,726,415	B1	8/2017	Spalti	2017/0305638	A1	10/2017	Sonntag et al.
9,738,296	B2	8/2017	McBeth	2017/0313492	A1	11/2017	Seiders et al.
9,809,357	B2	11/2017	Arnold et al.	2017/0320653	A1	11/2017	Mogil et al.
9,849,901	B2	12/2017	Jackman	2017/0343247	A1	11/2017	Ahmad et al.
9,857,119	B2	1/2018	Keenan	2018/0003425	A1	1/2018	Goodloe
9,878,841	B2	1/2018	Holderness et al.	2018/0015938	A1	1/2018	DeFrancia
9,888,977	B2	2/2018	Thomas et al.	2018/0016068	A1	1/2018	Valencia
9,956,978	B1	5/2018	Worley	2018/0087819	A1	3/2018	Triska et al.
9,976,789	B2	5/2018	Grepper	2018/0127007	A1	5/2018	Kravchenko
D820,049	S	6/2018	Ahlstrom et al.	2018/0132586	A1	5/2018	Flaherty
9,989,299	B1	6/2018	Ballard	2018/0141718	A1	5/2018	Ahlstrom et al.
D826,027	S	8/2018	Carey et al.	2018/0186547	A1	7/2018	Morine et al.
D835,472	S	12/2018	Seiders et al.	2018/0354687	A1	12/2018	Seiders et al.
D844,386	S	4/2019	Ahlstrom et al.	2019/0048631	A1	2/2019	Li
10,316,550	B2*	6/2019	Reinhart B62J 9/00	2019/0152677	A1	5/2019	Hoyt
D900,588	S*	11/2020	Rolfs D8/331	2019/0161240	A1	5/2019	Ahlstrom et al.
2003/0111476	A1	6/2003	Serio	2019/0217999	A1	7/2019	Wood
2003/0136702	A1	7/2003	Redzisz et al.	2019/0315538	A1	10/2019	Cheng
2004/0025531	A1	2/2004	Holloman-Hughes et al.				
2004/0144783	A1	7/2004	Anderson et al.				
2004/0182870	A1	9/2004	Rodgers				
2004/0262319	A1	12/2004	Fisher				
2005/0082305	A1	4/2005	Dais et al.				
2005/0109776	A1	5/2005	Camp				
2005/0127081	A1	6/2005	Leba et al.				
2005/0263527	A1	12/2005	Maldonado et al.				
2005/0269541	A1	12/2005	Bodum				
2005/0279124	A1	12/2005	Maldonado				
2006/0017293	A1	1/2006	Tonelli				
2006/0042897	A1	3/2006	Sanderson				
2006/0276768	A1	12/2006	Miller et al.				
2007/0284377	A1	12/2007	Chandler				
2008/0134714	A1	6/2008	Villanueva				
2008/0145919	A1	6/2008	Franklin et al.				
2008/0164265	A1	7/2008	Conforti				
2008/0178629	A1	7/2008	Meether				
2008/0190940	A1	8/2008	Scott				
2009/0114646	A1	5/2009	Whalen				
2009/0158770	A1	6/2009	Cohrs et al.				
2009/0188736	A1	7/2009	Niddam et al.				
2009/0217699	A1	9/2009	Ball				
2009/0274398	A1	11/2009	Men				
2010/0126196	A1	5/2010	McCance				
2010/0200588	A1	8/2010	Bergman et al.				
2010/0212351	A1	8/2010	Chapin et al.				

FOREIGN PATENT DOCUMENTS

CN	106246966	A	12/2016
CN	304286831		9/2017
DE	8229359	U1	12/1982
DE	102010054187	A1	6/2012
DE	202017006895	U1	9/2018
EP	1700551	A2	9/2006
EP	2135816	A1	12/2009
EP	2852505	A1	4/2015
EP	2861899	A1	4/2015
GB	1818		4/1909
GB	2045135	A	2/1996
GB	2095684		11/2000
GB	2096851		1/2001
GB	3005022		1/2003
GB	3025672		12/2006
WO	9821534	A1	5/1998
WO	2006007266	A2	1/2006
WO	14074113	A1	5/2014
WO	2016066817	A1	5/2016
WO	17072531	A1	5/2017
WO	17182290	A1	10/2017
WO	18005859	A2	1/2018

OTHER PUBLICATIONS

July 28, 2020—(WO) International Search Report & Written Opinion—
PCT/US19/065859.

(56)

References Cited

OTHER PUBLICATIONS

Apr. 8, 2021—(NZ) Examination Report 2—App. No. 427609.
Dometic Patrol 35 https://shop.dometic.com/store/dometic/en_US/pd/productID.5178771400 (12 pp) Oct. 23, 2019.
[gore.com/protectivevents—screw-in series—“Increase outdoor enclosure durability in harsh environments”](https://www.gore.com/protectivevents—screw-in-series—“Increase outdoor enclosure durability in harsh environments”) p. 1-4.
Nov. 4, 2020—(CN) Office Action—App. No. 202030157746.X.

* cited by examiner

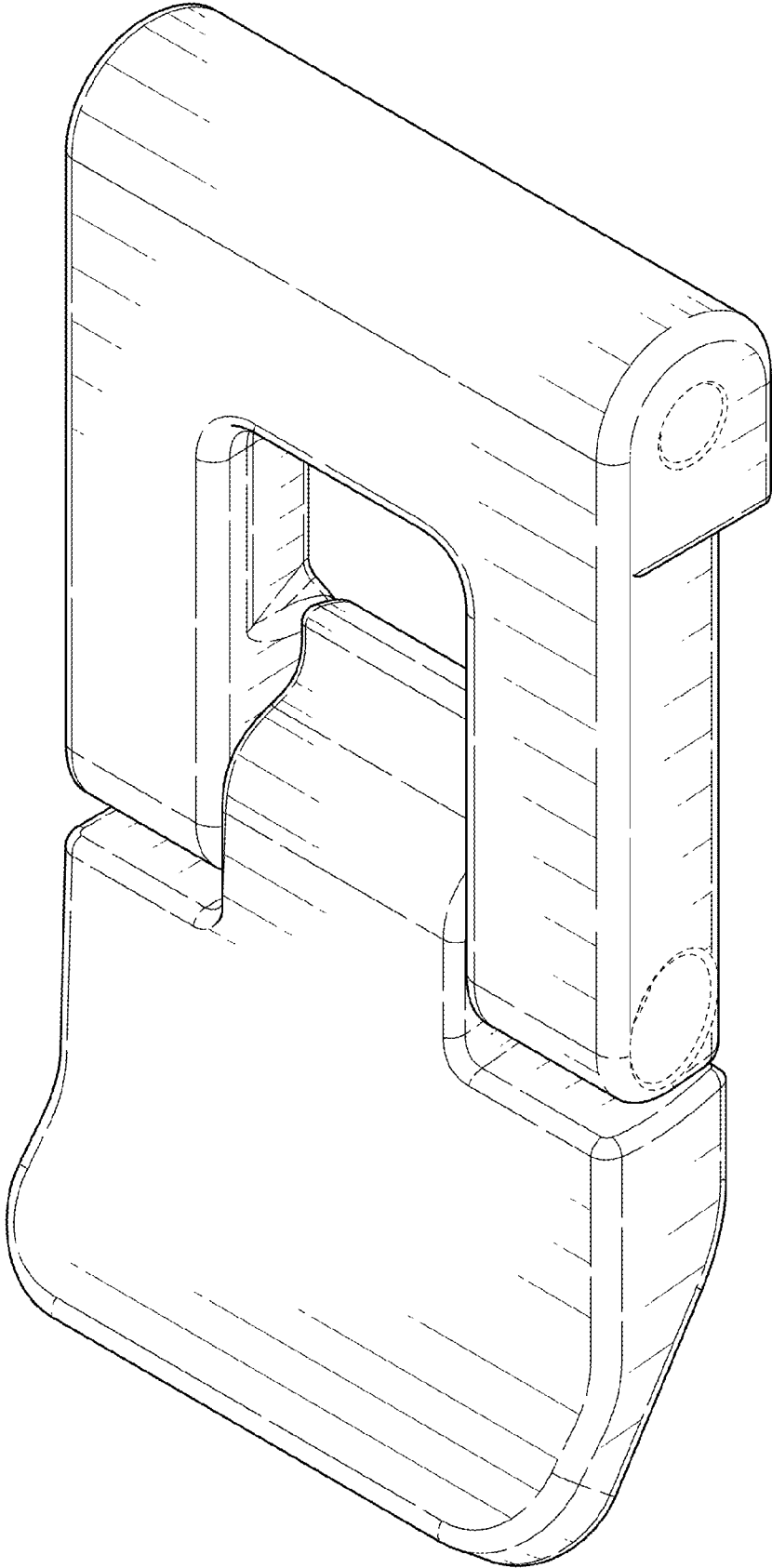


FIG. 1

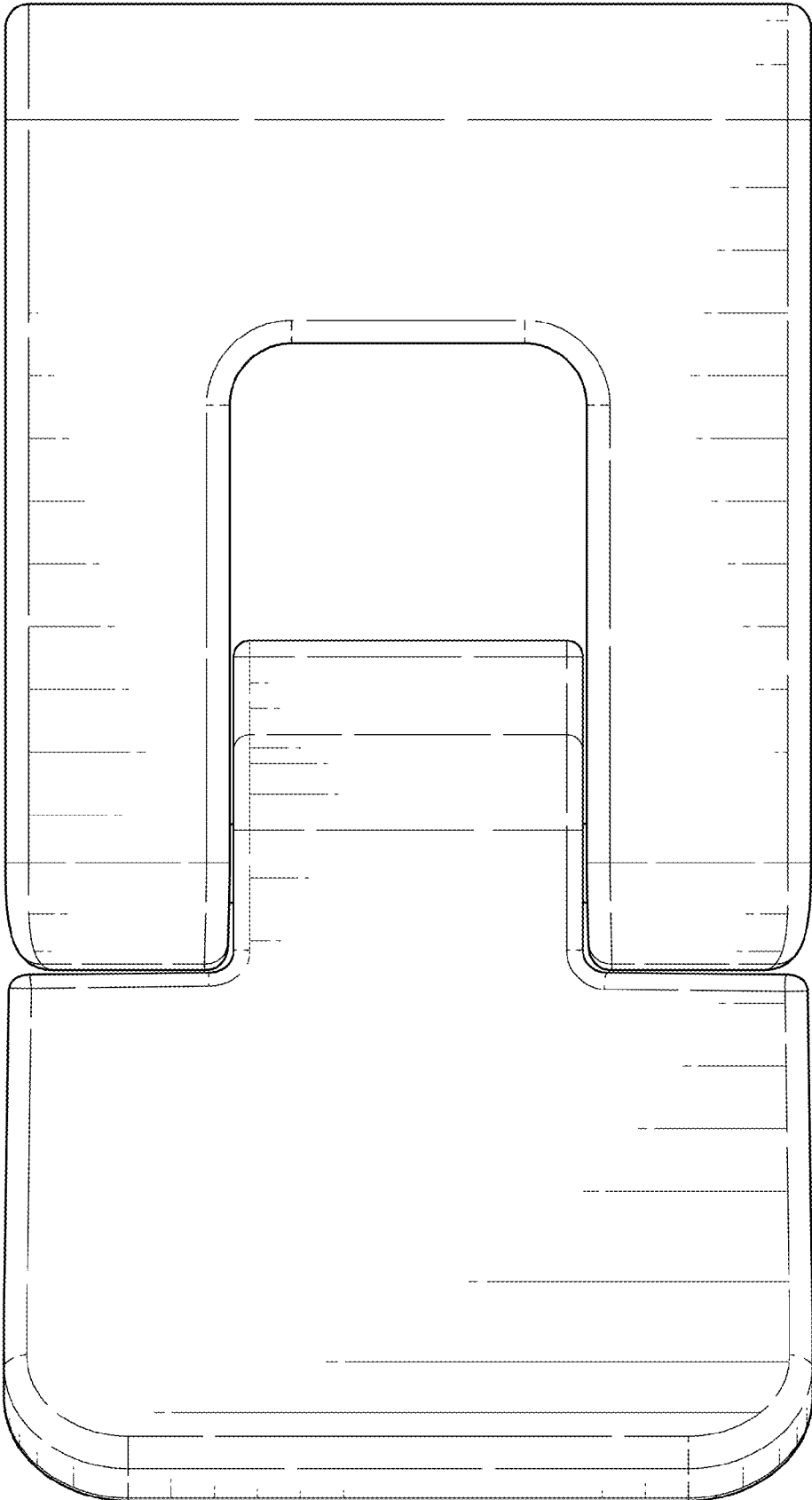


FIG. 2

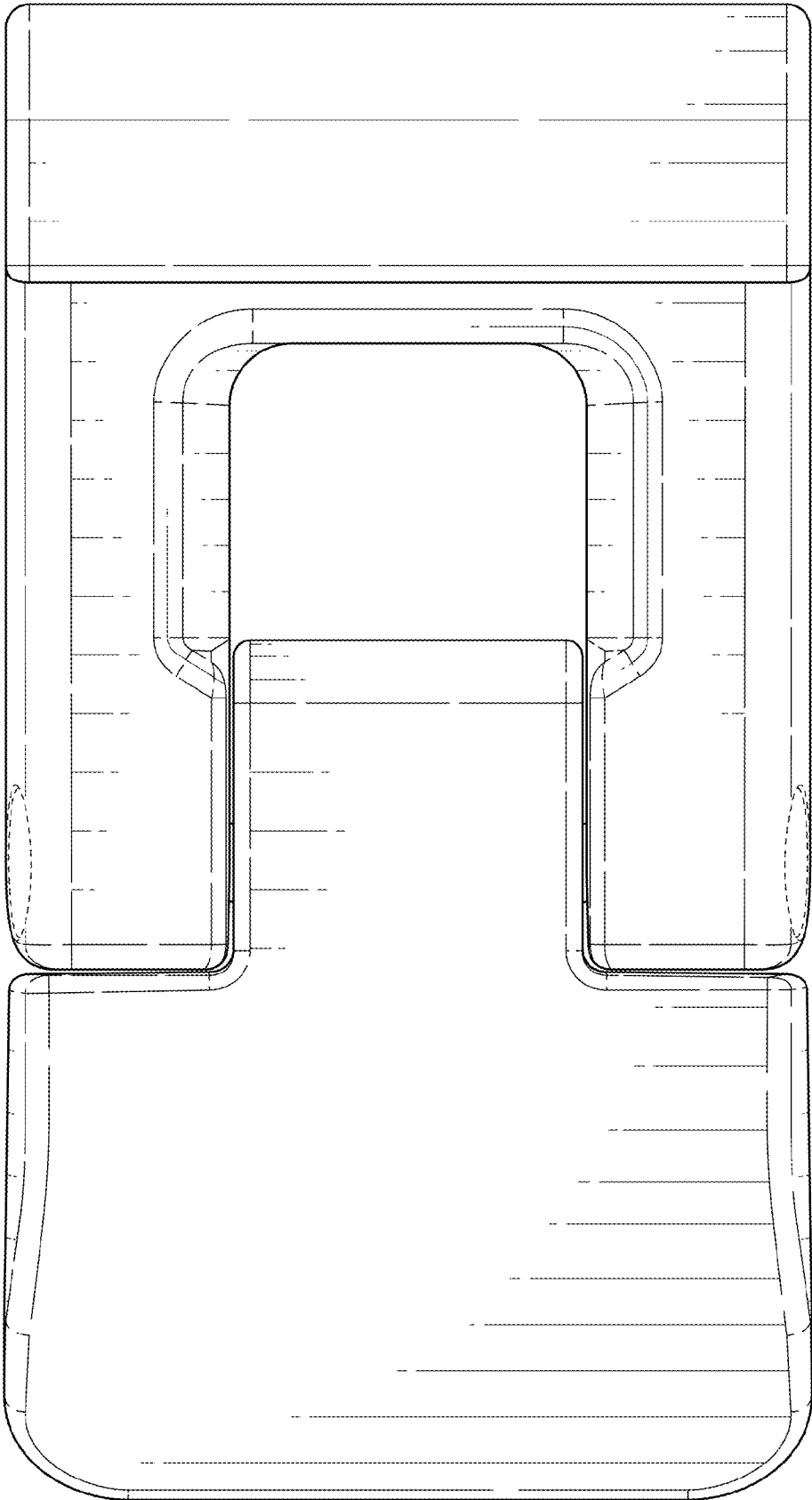


FIG. 3

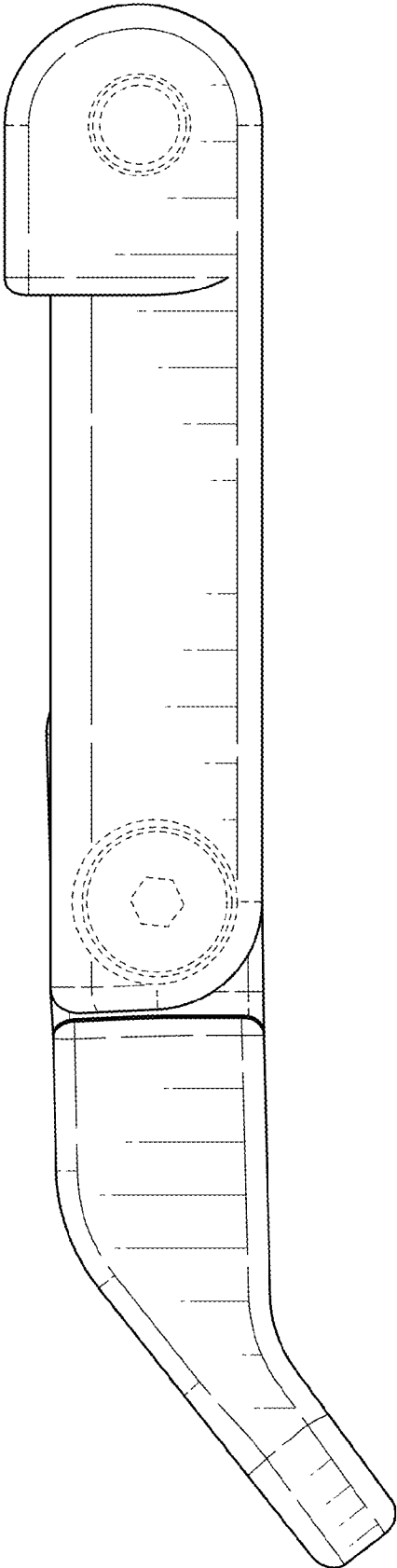


FIG. 4

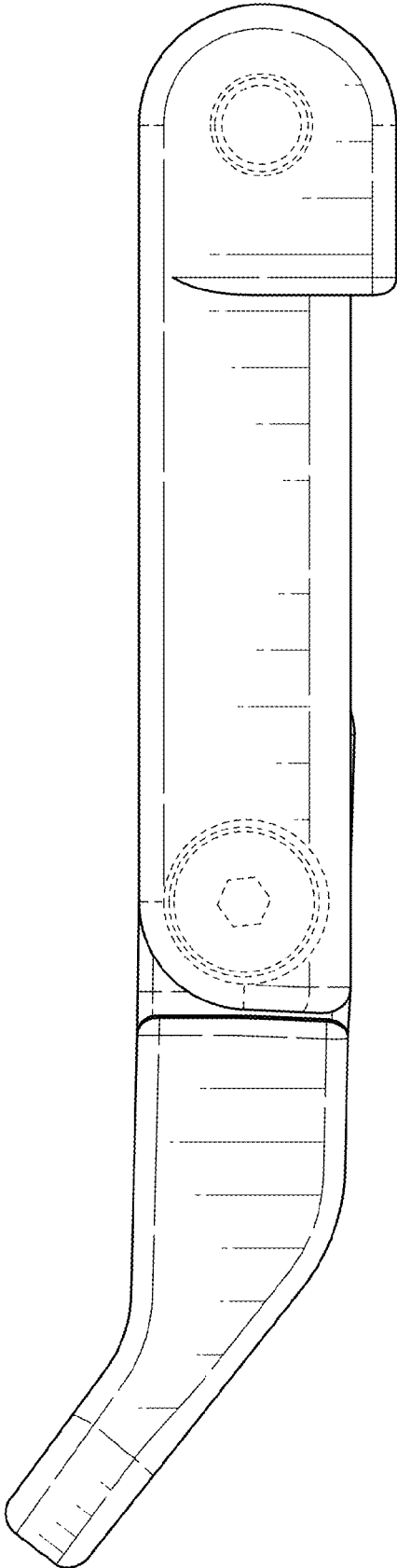


FIG. 5

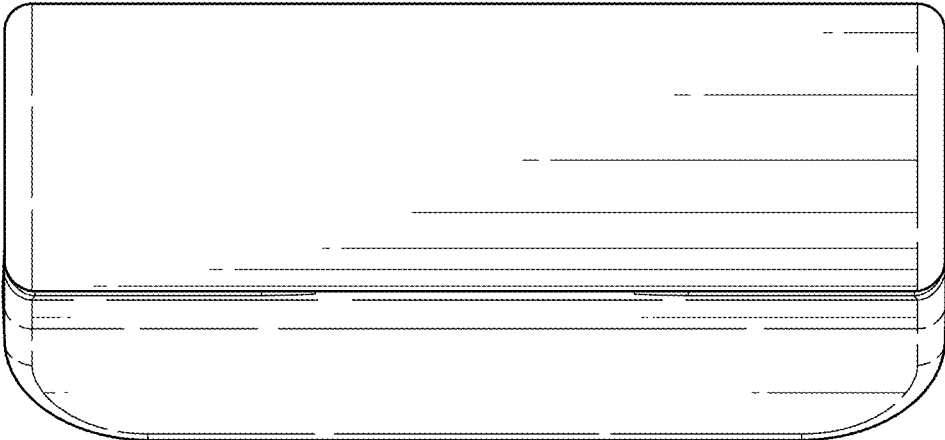


FIG. 6

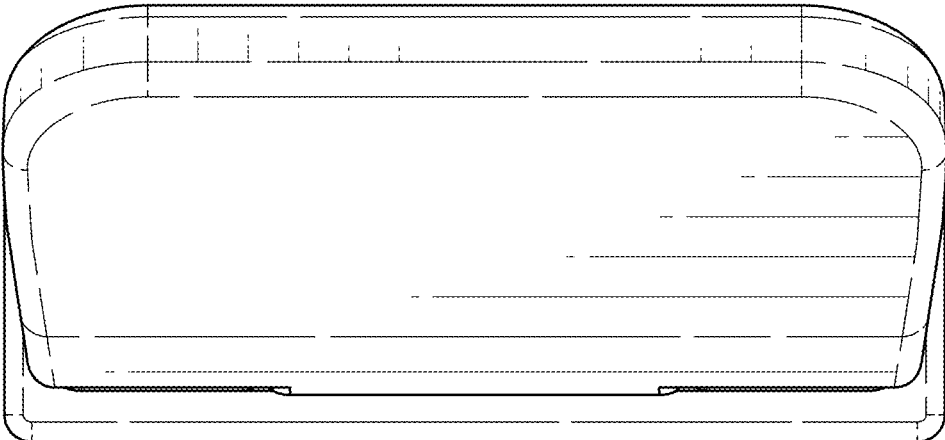


FIG. 7