



US00D873816S

(12) **United States Design Patent**
Wu et al.

(10) **Patent No.:** US D873,816 S

(45) **Date of Patent:** ** Jan. 28, 2020

(54) **NOTEBOOK COMPUTER**

OTHER PUBLICATIONS

(71) Applicants: **Tung-Ying Wu**, Taipei (TW);
Ming-Chung Liu, Taipei (TW);
Kuan-Chang Lee, Taipei (TW)

Wandi J., Sliden'joy: The World's First Gadget That Triples Your Laptop's Screen, posted at Tech Info Blog, posting date Mar. 16, 2016. Site visited Oct. 29, 2019. URL: <<http://id-techinfo.blogspot.com/2016/03/sliden-world-first-gadget-that-triples.html>> (Year: 2016).*

(72) Inventors: **Tung-Ying Wu**, Taipei (TW);
Ming-Chung Liu, Taipei (TW);
Kuan-Chang Lee, Taipei (TW)

Primary Examiner — Kevin K Rudzinski
Assistant Examiner — Kathleen L Jones
(74) *Attorney, Agent, or Firm* — JCIPRNET

(73) Assignee: **COMPAL ELECTRONICS, INC.**,
Taipei (TW)

(57) **CLAIM**

(**) Term: **15 Years**

The ornamental design for a notebook computer, as shown and described.

(21) Appl. No.: **29/630,420**

DESCRIPTION

(22) Filed: **Dec. 20, 2017**

(51) **LOC (12) Cl.** **14-02**

(52) **U.S. Cl.**
USPC **D14/315**

(58) **Field of Classification Search**

USPC D14/315-328, 331, 334-335, 339-340;
D18/1-2, 7, 11, 12.2-12.3; D25/48.7
CPC G06F 1/166; G06F 1/1613; G06F 1/1616;
G06F 1/1618; G06F 1/162; G06F 1/1622;
G06F 1/1624; G06F 1/1633; G06F
1/1615; G06F 1/1643; G06F 1/1654;
G06F 1/1669; G06F 1/203; G06F 1/1688
See application file for complete search history.

FIG. 1 is a perspective view of a notebook computer showing our new design;
FIG. 2 is another perspective view thereof;
FIG. 3 is a front view thereof;
FIG. 4 is a rear view thereof;
FIG. 5 is a left side view thereof;
FIG. 6 is a right side view thereof;
FIG. 7 is a top view thereof;
FIG. 8 is a bottom view thereof;
FIG. 9 is a cross-section view taken along the line 9-9 of FIG. 5 with the internal parts being omitted;
FIG. 10 is enlarged view thereof encircled portion of FIG. 1;
FIG. 11 is enlarged view thereof encircled portion of FIG. 2;
FIG. 12 is enlarged view thereof encircled portion of FIG. 3;
FIG. 13 is enlarged view thereof encircled portion of FIG. 3;
FIG. 14 is enlarged view thereof encircled portion of FIG. 7;
FIG. 15 is enlarged view thereof encircled portion of FIG. 8;
and,
FIG. 16 is a perspective view thereof showing the display is moved.
The dashed broken lines showing portions of the notebook computer form no part of the claimed design.

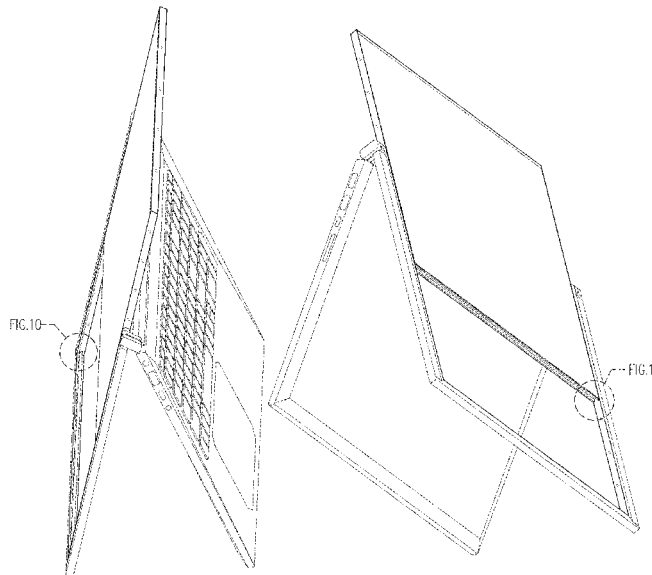
(56) **References Cited**

U.S. PATENT DOCUMENTS

3,640,559 A * 2/1972 Royer E05C 17/60
292/288
4,799,332 A * 1/1989 Haas E06B 1/62
49/406

(Continued)

1 Claim, 15 Drawing Sheets



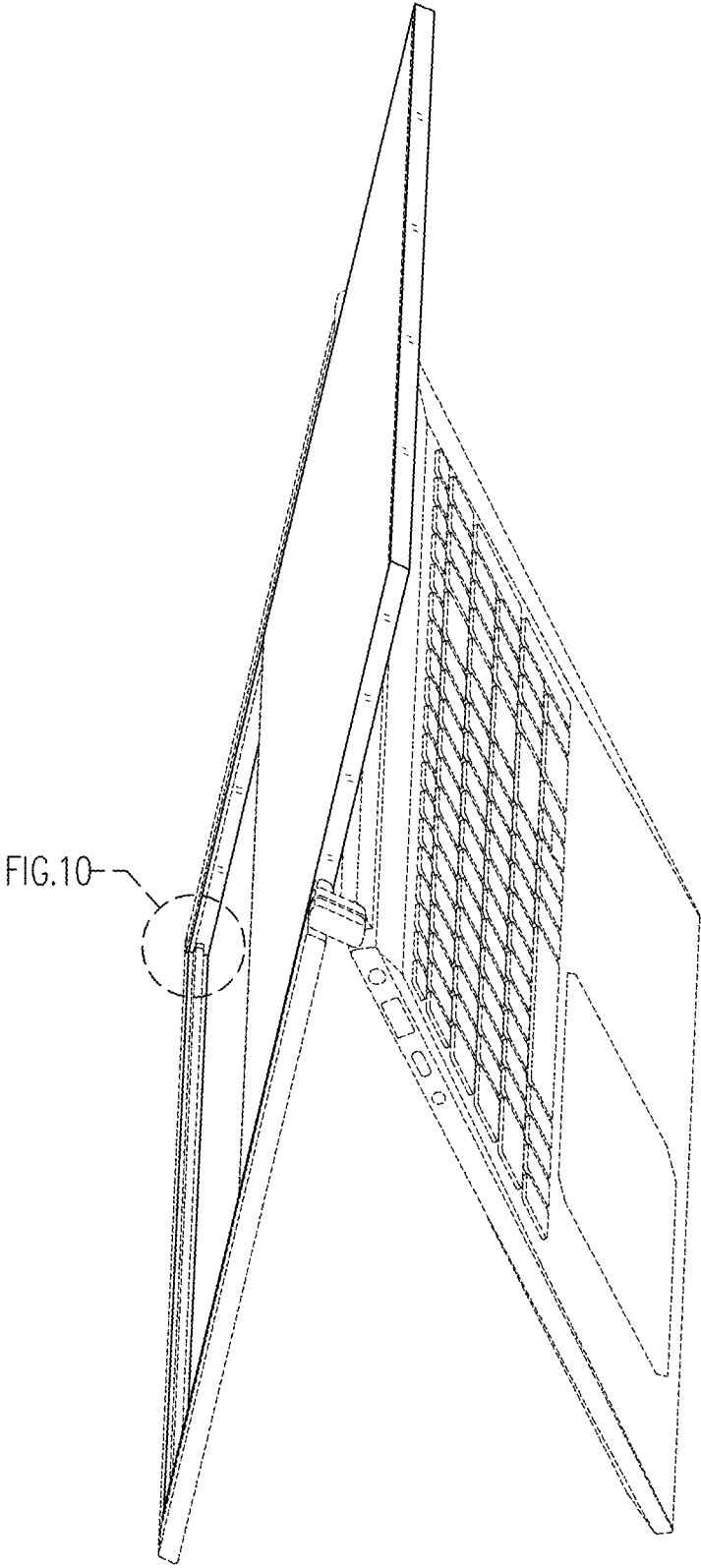


FIG. 1

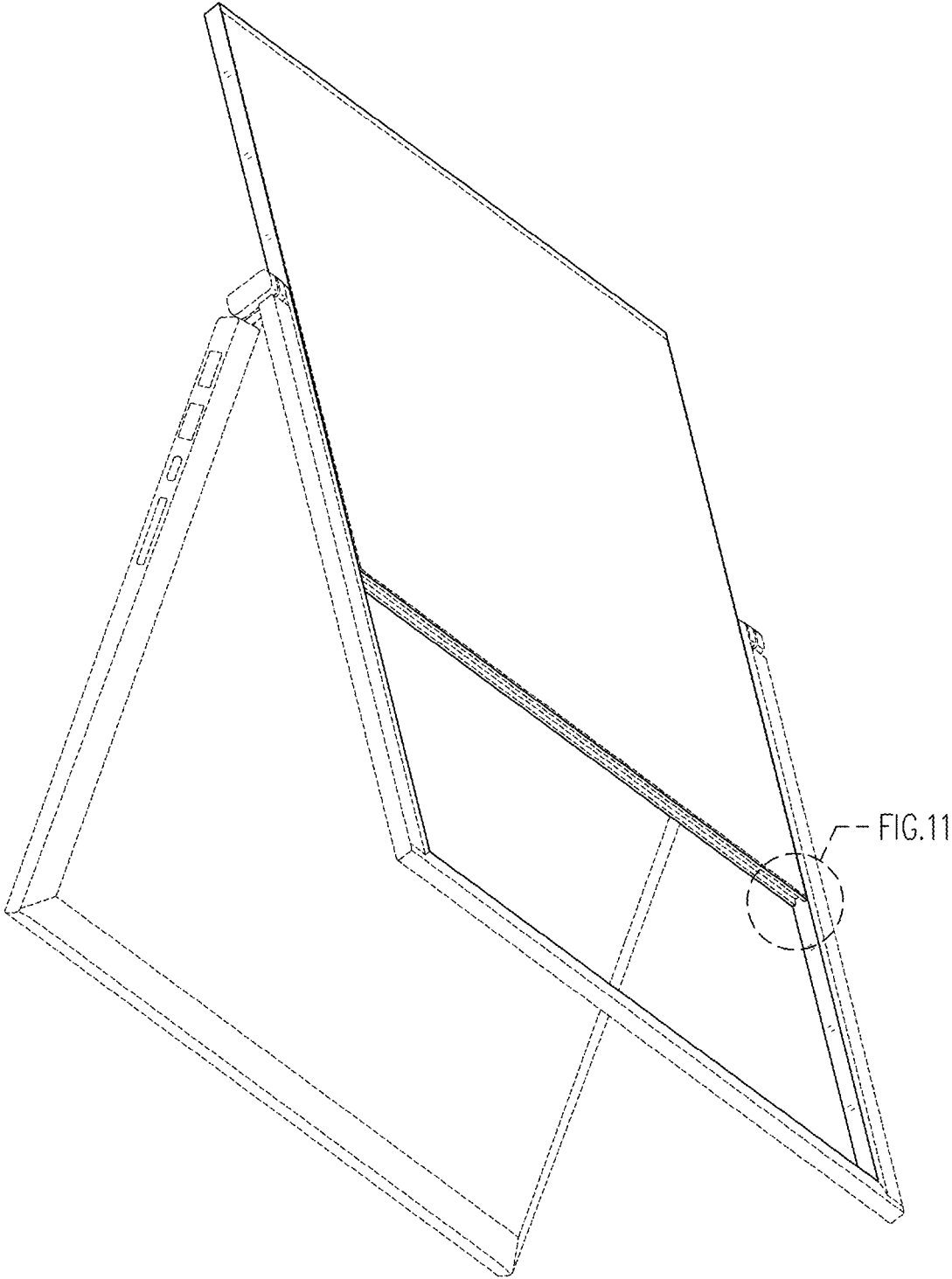


FIG. 2

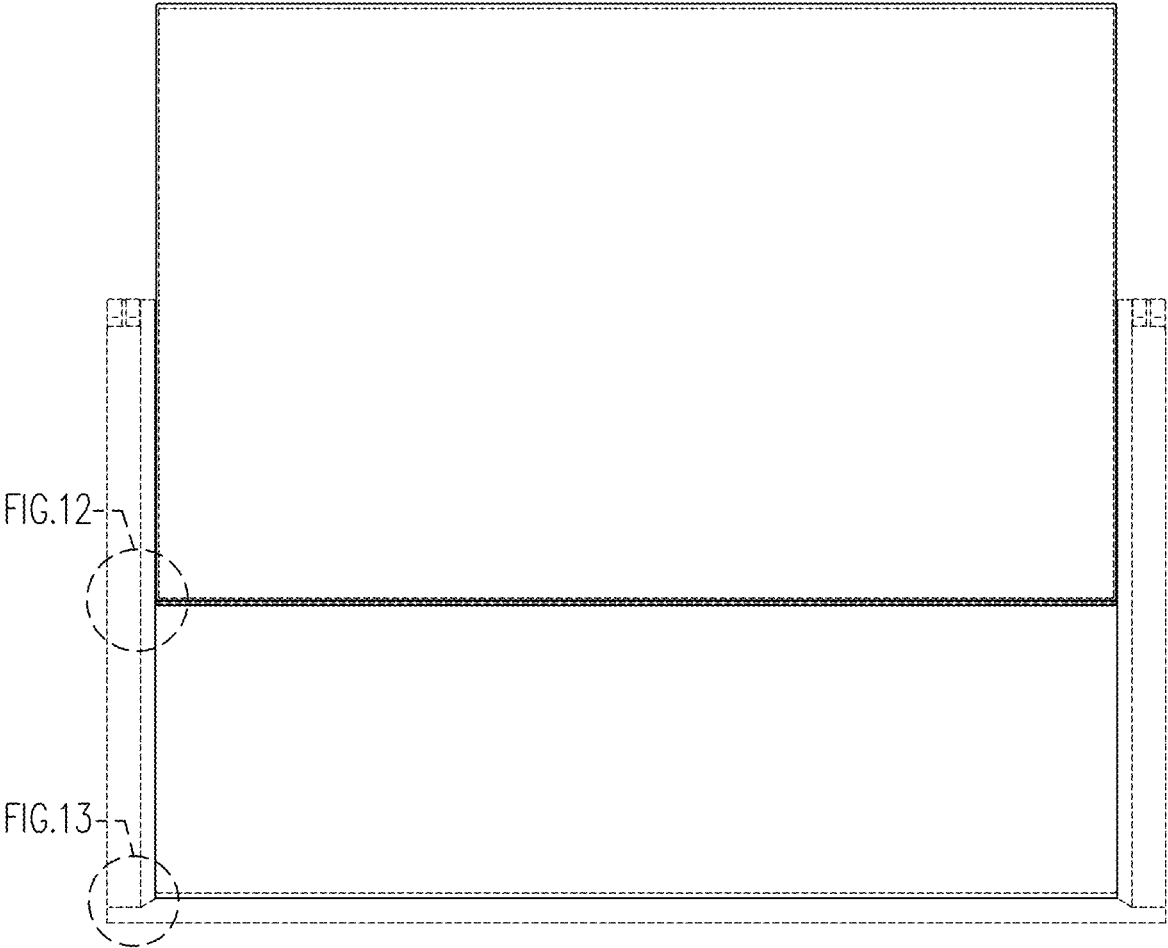


FIG. 3

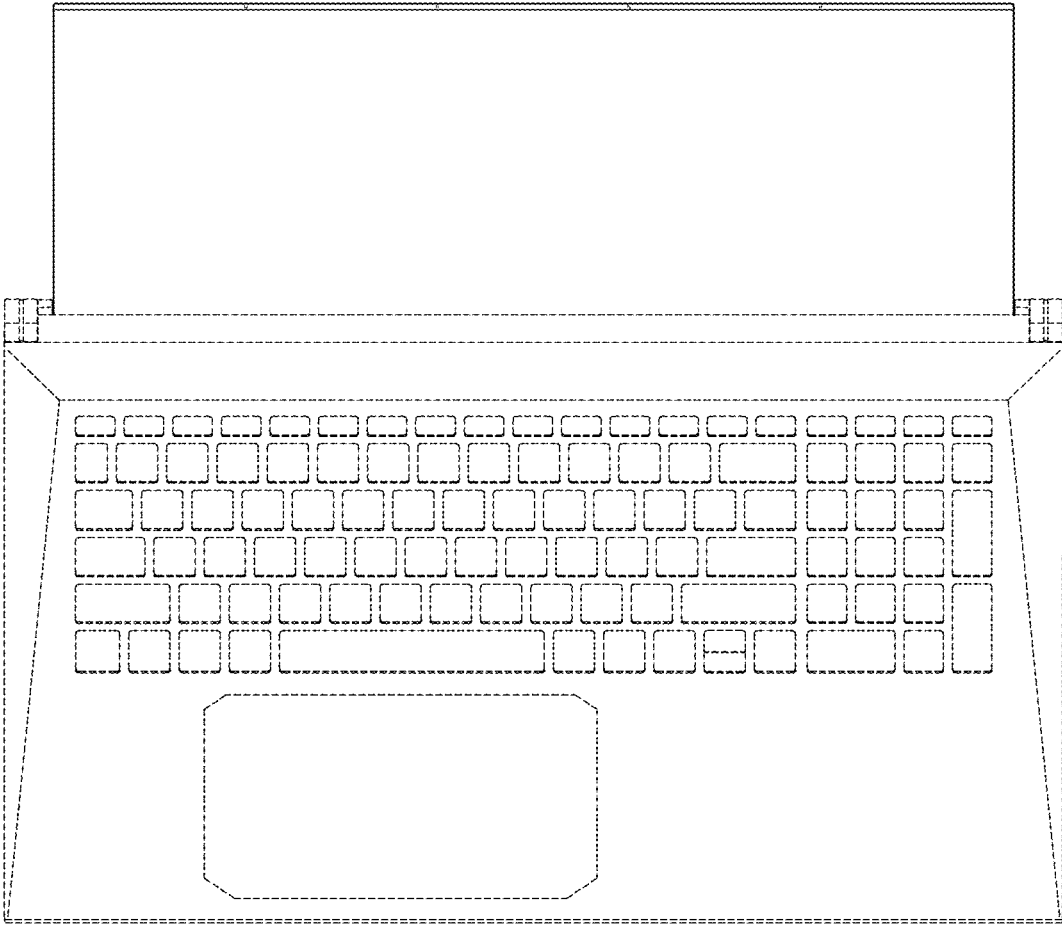


FIG. 4

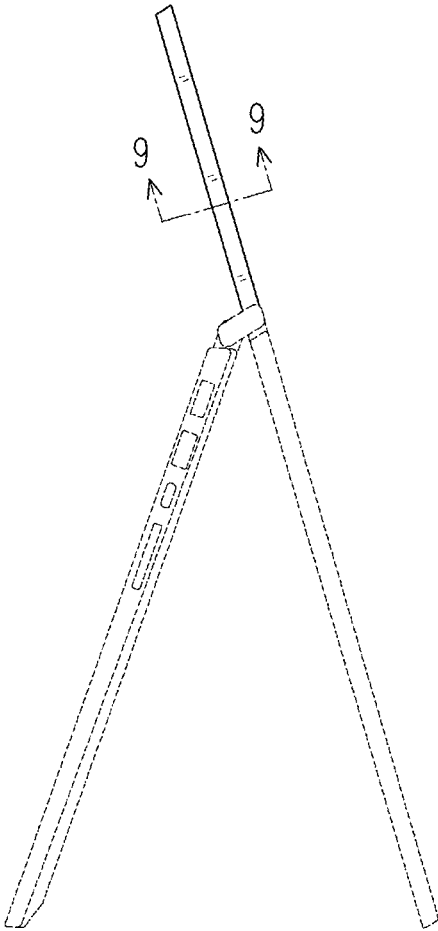


FIG. 5

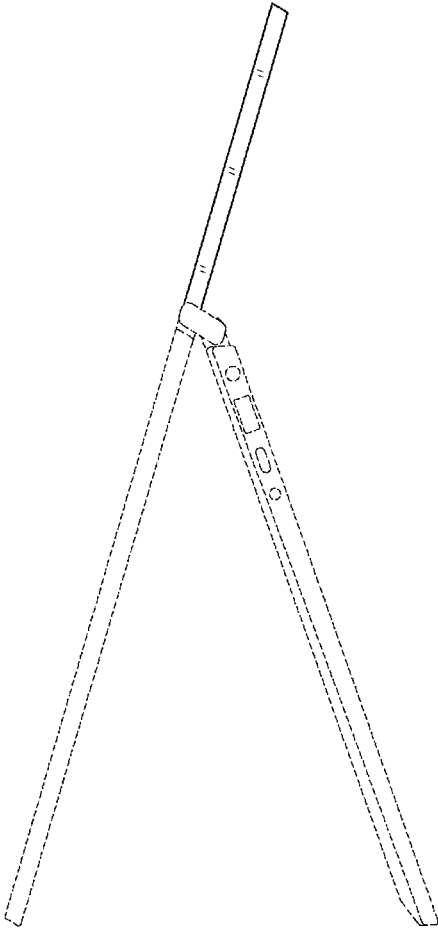


FIG. 6

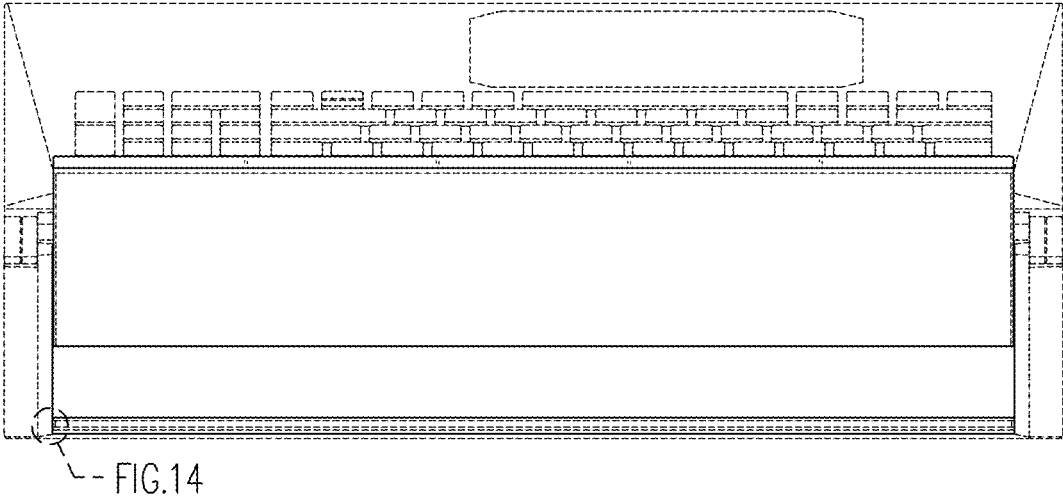


FIG. 7

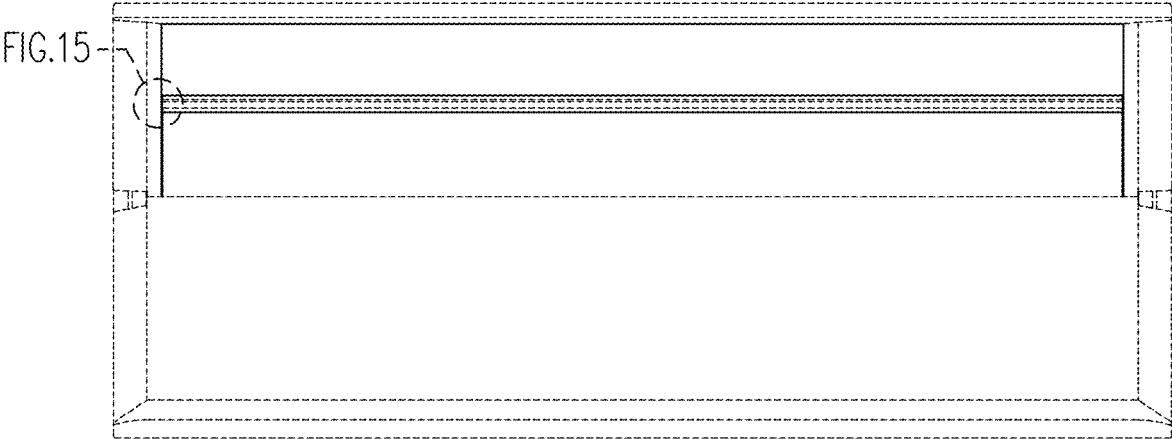


FIG. 8



FIG. 9

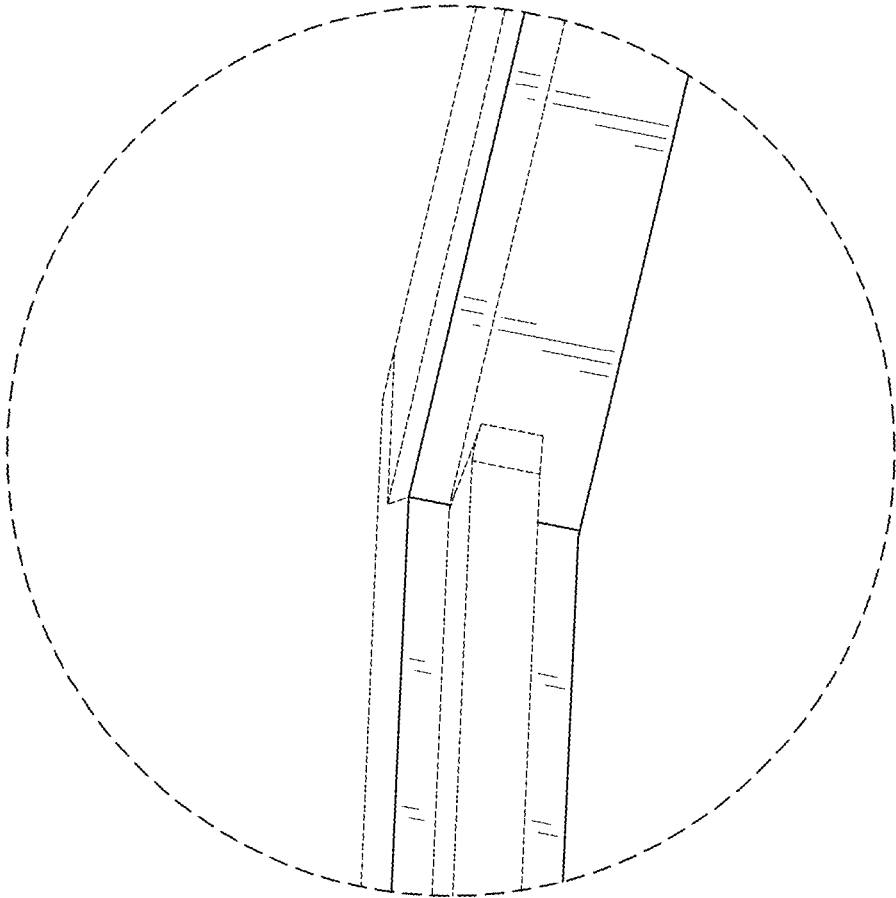


FIG. 10

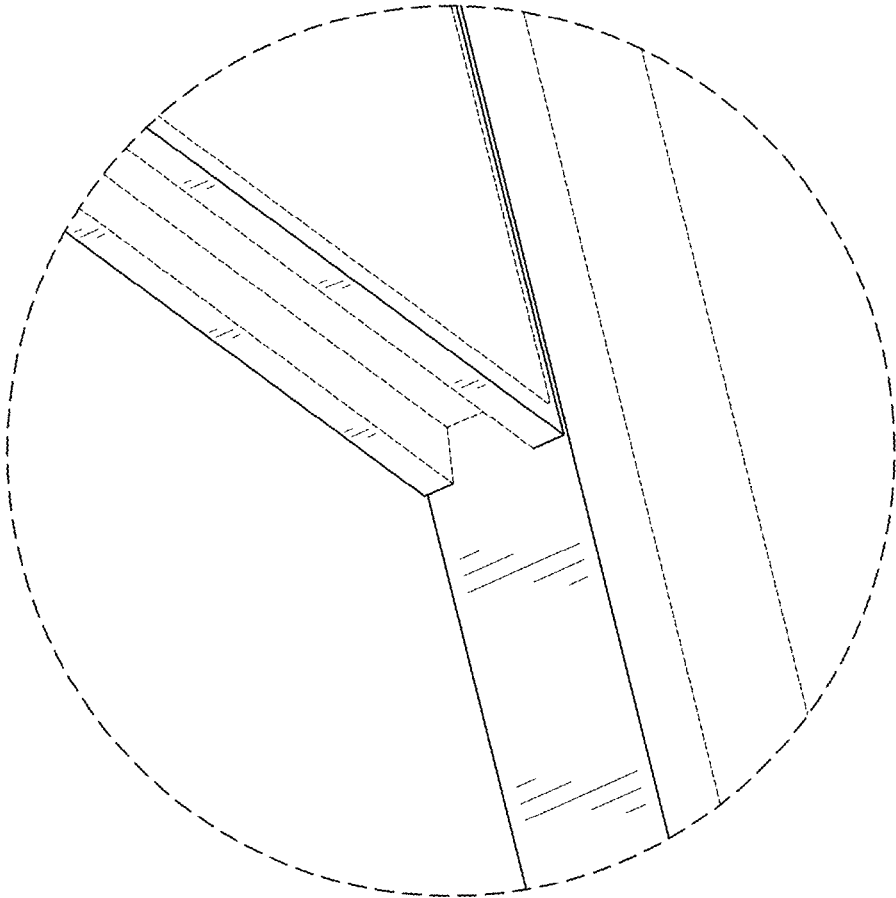


FIG. 11

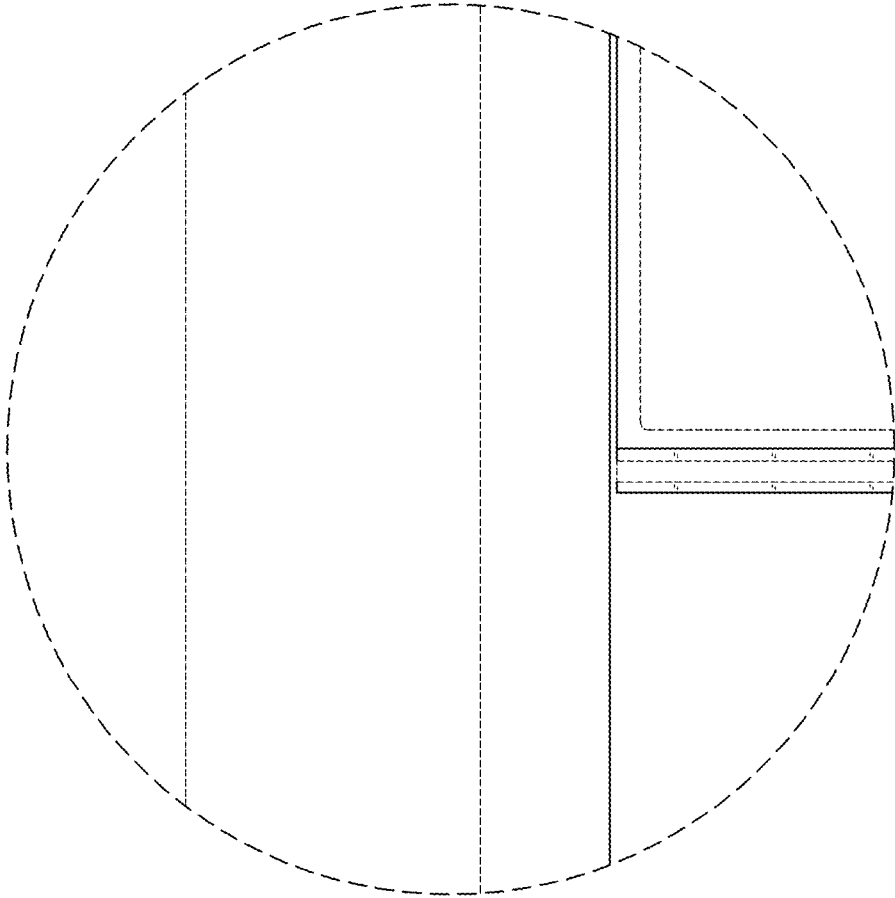


FIG. 12

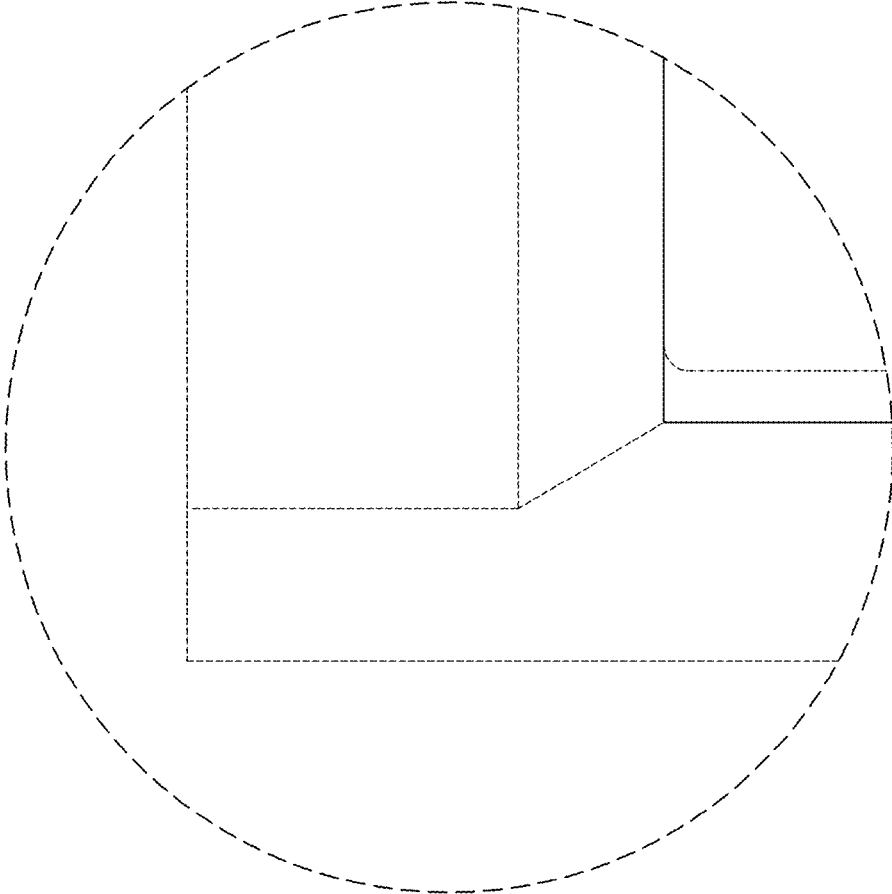


FIG. 13

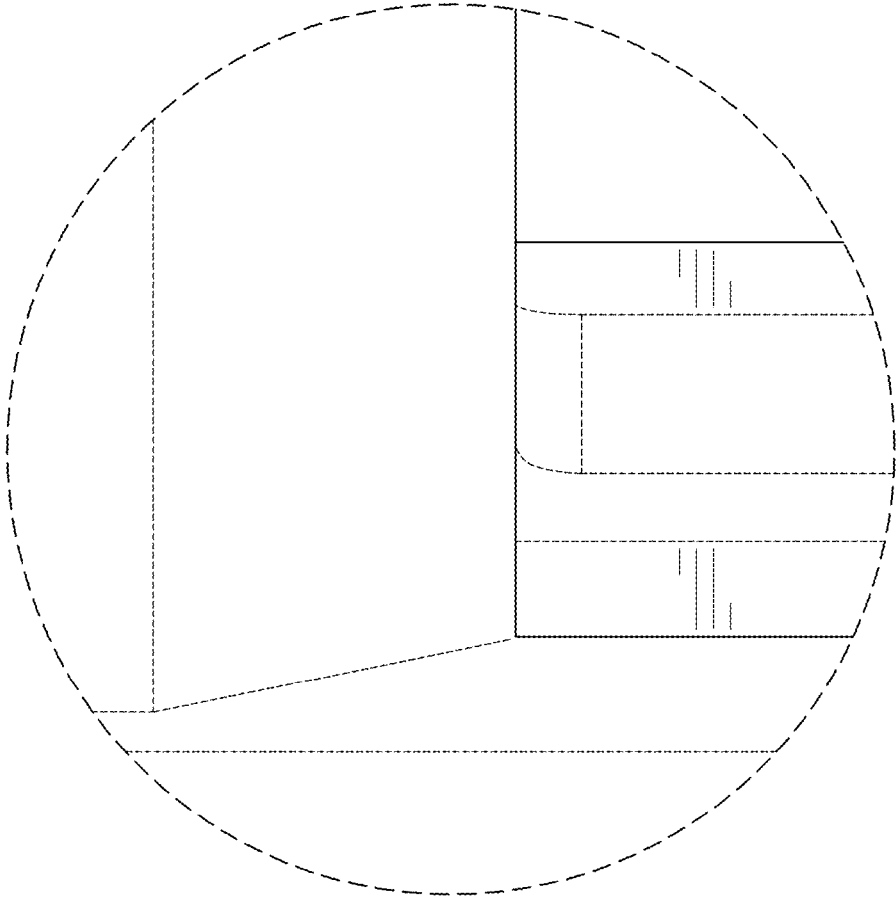


FIG. 14

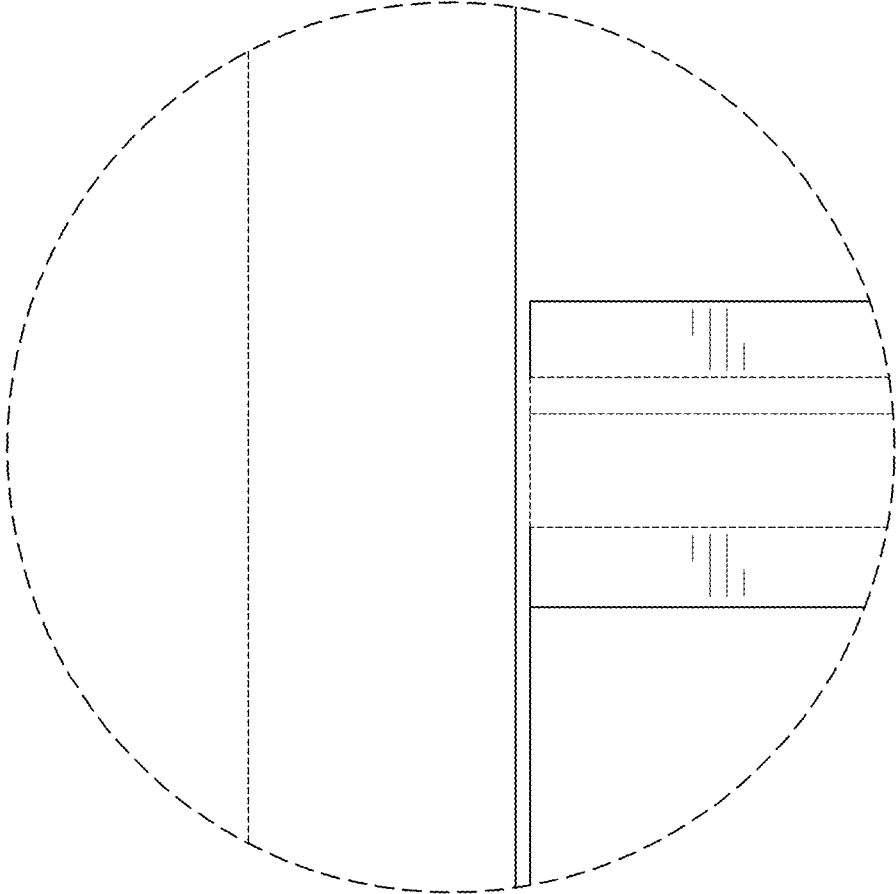


FIG. 15

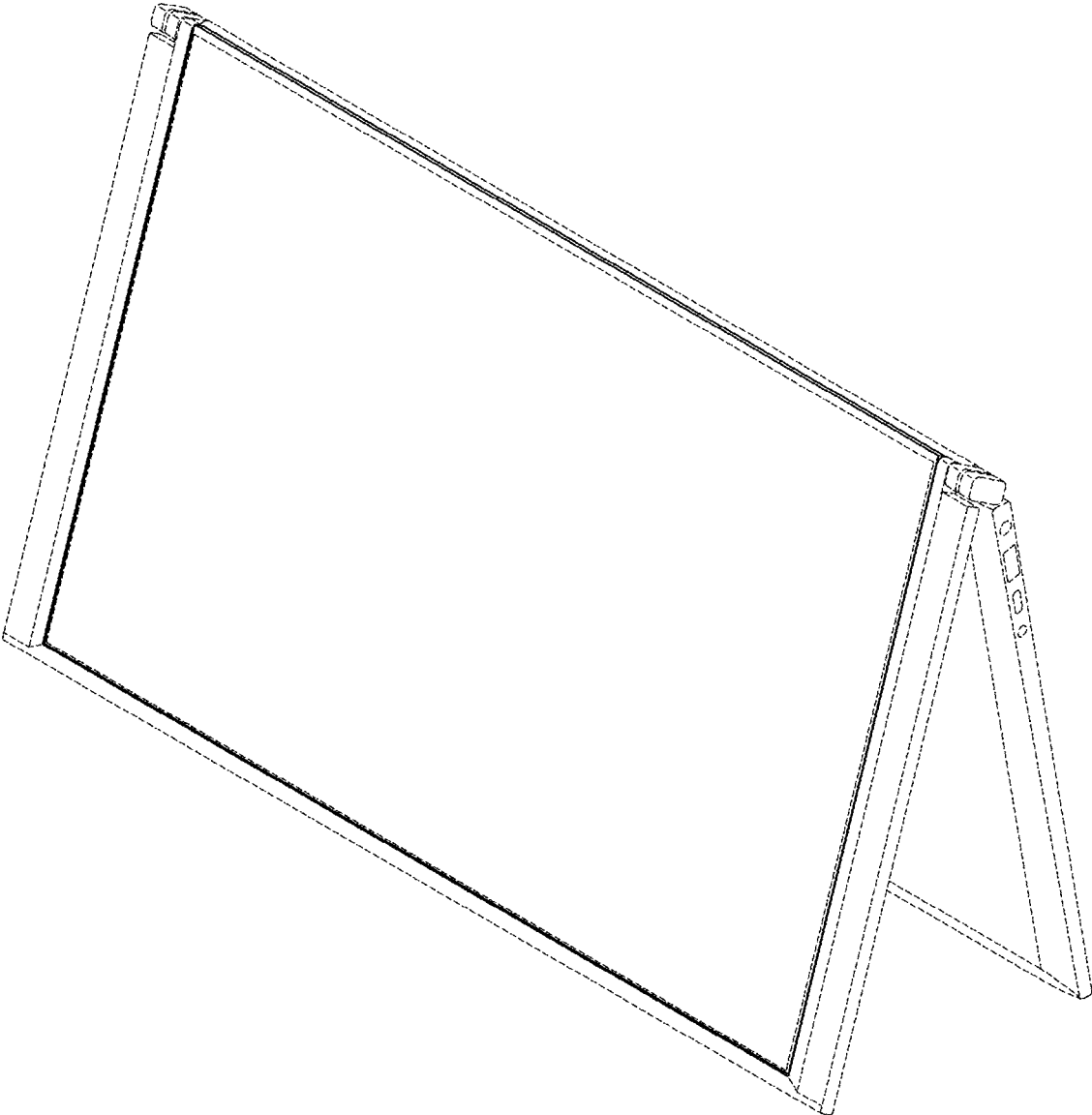


FIG. 16