

(21) Application No: 0522097.5
(22) Date of Filing: 29.10.2005

(71) Applicant(s):
John Burnett
59 Parklands, Penperlleni, PONTYPOOL,
NP4 0BE, United Kingdom

(72) Inventor(s):
John Burnett

(74) Agent and/or Address for Service:
John Burnett
59 Parklands, Penperlleni, PONTYPOOL,
NP4 0BE, United Kingdom

(51) INT CL:
B60S 9/02 (2006.01) **F16M 11/26** (2006.01)

(52) UK CL (Edition X):
B7J J106

(56) Documents Cited:
GB 2389830 A **GB 2244331 A**
GB 2199292 A **AU 200020852 A1**
US 6012185 A **US 4776548 A**
US 4108421 A

(58) Field of Search:
UK CL (Edition X) **B7J**
INT CL **B60P, B60S, B66F, E06C, F16M**
Other: **WPI, EPODOC**

(54) Abstract Title: **Caravan support blocks**

(57) A support block which can be placed beneath a corner steady or jockey wheel of a caravan on a steeply inclined or undulating site has a base 1 and an outer case 2 within which an inner prop support 3 is adapted to move telescopically. Dowels 4A-4D can be inserted into holes provided in the outer case 2 and corresponding receiving slots in the inner prop support 3 to maintain the inner prop support at a required height. A plurality of holes may be provided in the inner prop support to enable height adjustment. A groove 3A may be provided on the upper surface of the inner prop support to accommodate a jockey wheel or corner steady when the caravan is lowered onto the support block. The device allows a caravan to be levelled when the slope of a site prevents the standard caravan jockey wheel or corner steadies from reaching the ground even when fully extended.

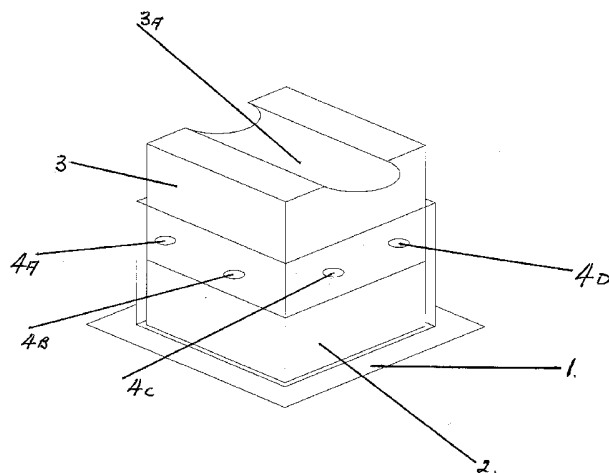


FIGURE 1

1/2

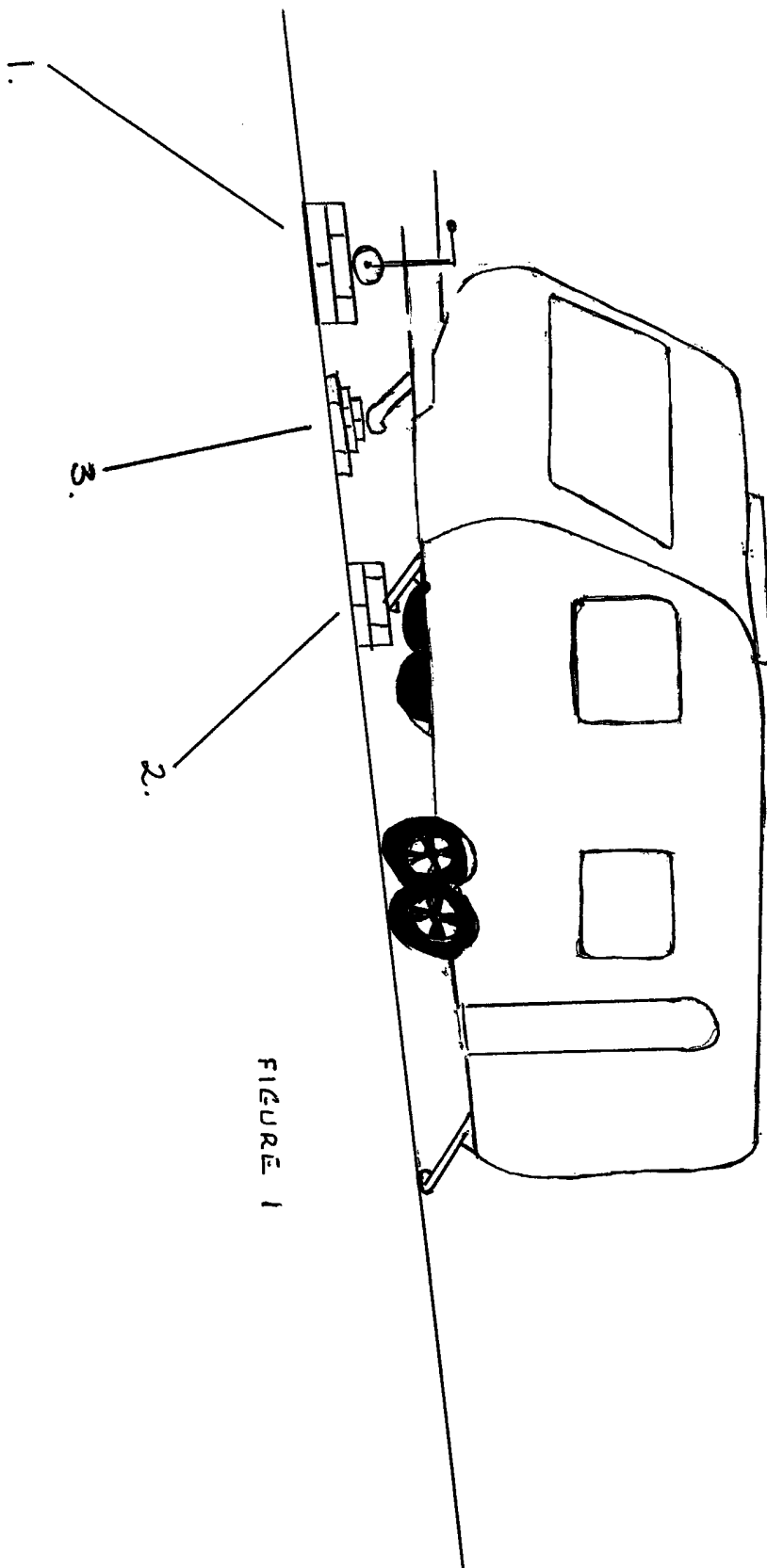


FIGURE 1

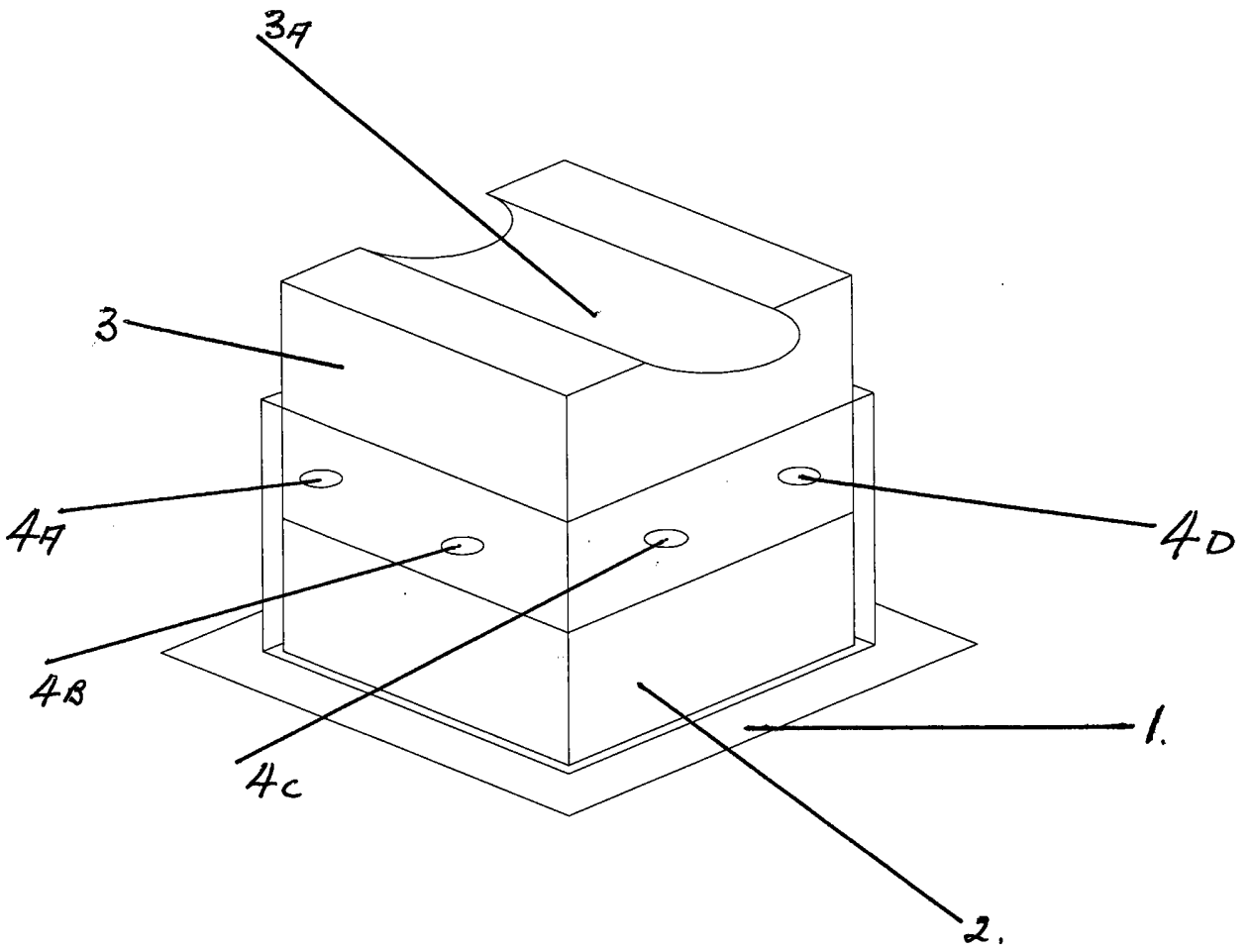


FIGURE 1

2431627

1.

DESCRIPTION:

TOURING CARAVAN – SITE SUPPORT BLOCKS.

This invention relates to devices which will support the weight of a touring caravan when sited on a sloping site or pitch.

When holiday makers are allocated to a sloping pitch at a Camping Park, it is essential they ensure their units are parked level from side to side and front to back. Unless this levelling is achieved, occupation of the caravan will prove uncomfortable, and water from sink and shower units will not drain away into waste containers situated outside the caravan.

When a caravan is sited on a slightly undulating pitch, the standard Corner Steady Legs and Jockey Wheels usually have sufficient reach to achieve a level position. However, when pitch slope is excessive, standard equipment as fitted by caravan manufacturers, will not reach the ground even when fully extended.

Bridging the gap between ground and fully extended Corner Steady Leg/Jockey Wheel is usually achieved by campers utilising hard plastic 'saucer shaped' stacking plates, timber blocks, bricks, or any other solid material which will maintain the weight of the caravan. This procedure is neither convenient nor safe. To overcome these problems the invention proposes the use of adjustable extension supports which can be placed under Corner Steady Legs and Jockey Wheels quickly and with safety. The adjustment built into the invention will allow compensation for any subsequent sinkage should the ground be soft.

An example of the invention is described by reference to the accompanying drawings:

Figure 1 shows a Touring Caravan which has been chocked up with materials carried by the owner; and

Figure 2 shows an adjustable Corner Steady/Jockey Wheel adjustable support according to the invention. These adjustable supports would be placed under the jockey wheel (marked 1) and the two corner steadies (marked 2 & 3) at Figure 1 and Page ½.

2.

Claims:

1. **A Touring Caravan Site Support Block, comprising ground-engaging attachment for siting beneath caravan Jockey Wheel and Corner steadies on undulating ground.**
2. **A Touring Caravan Site Support Block according to claim 1 comprising three sections, namely, a flat base ground-engaging section, an outer case section and an inner prop support block section.**
3. **A Touring Caravan Site Support Block according to claim 1 in which four dowel rods are attached through corners of outer case and inner prop support block sections, to allow for height adjustment of the unit.**
4. **A Touring Caravan Site Support Block according to claim 1 which has a groove to the surface of the inner prop support, to accommodate the positioning of Caravan Jockey Wheel and/or Caravan Corner Steadies.**
5. **A Touring Caravan Site Support Block according to claim 1 which has four in-line matching holes to corners of outer case and inner prop support block sections, to accommodate dowel rods for height adjustment purposes.**

3.

Application No: GB0522097.5

Examiner: Wayne Fleet

Claims searched: 1-5

Date of search: 27 January 2006

Patents Act 1977: Search Report under Section 17

Documents considered to be relevant:

Category	Relevant to claims	Identity of document and passage or figure of particular relevance
X	1, 2 & 4	US 6012185 A (WOODS) See figures 1 & 2 especially
X	1	GB 2389830 A (SHEPHERDSON) See whole document
X	1	GB 2199292 A (GREEN) See whole document
X	1	GB 2244331 A (THOMSON) See whole document
X	1	US 4776548 A (BEZENEK) See whole document
X	1	US 4108421 A (EXTINE) See whole document
X	1	AU 200020852 A1 (GEPPERT) See whole document

Categories:

X	Document indicating lack of novelty or inventive step	A	Document indicating technological background and/or state of the art.
Y	Document indicating lack of inventive step if combined with one or more other documents of same category.	P	Document published on or after the declared priority date but before the filing date of this invention.
&	Member of the same patent family	E	Patent document published on or after, but with priority date earlier than, the filing date of this application.

Field of Search:

Search of GB, EP, WO & US patent documents classified in the following areas of the UKC^x :

B7J

Worldwide search of patent documents classified in the following areas of the IPC

B60P; B60S; B66F; E06C; F16M



4.

The following online and other databases have been used in the preparation of this search report

WPI, EPODOC