



US00D353825S

# United States Patent [19]

[11] Patent Number: Des. 353,825

Forbes

[45] Date of Patent: \*\* Dec. 27, 1994

[54] VIDEO CAMERA STAND

[76] Inventor: Perry L. Forbes, Rte. 3, Box 150,  
Goodview, Va. 24095

[\*\*] Term: 14 Years

[21] Appl. No.: 6,838

[22] Filed: Apr. 9, 1993

[52] U.S. Cl. .... D16/242

[58] Field of Search ..... D16/242, 243, 244, 245;  
354/81, 82, 293; 248/183, 178, 188.4; 224/908;  
352/243

[56] References Cited

U.S. PATENT DOCUMENTS

D. 270,916	10/1983	Cheplo	.....	D16/243
D. 308,389	6/1990	Horn et al.	.....	D16/242
D. 309,907	8/1990	Herb	.....	D16/242
D. 323,181	1/1992	Puskas et al.	.....	D16/243
D. 340,940	11/1993	Ellenberger et al.	.....	D16/242
2,651,981	9/1953	Calhoun	.....	352/243
4,329,041	5/1982	Mädge et al.	.....	354/293
5,197,702	3/1993	Sasaki	.....	248/178

Primary Examiner—Bernard Ansher

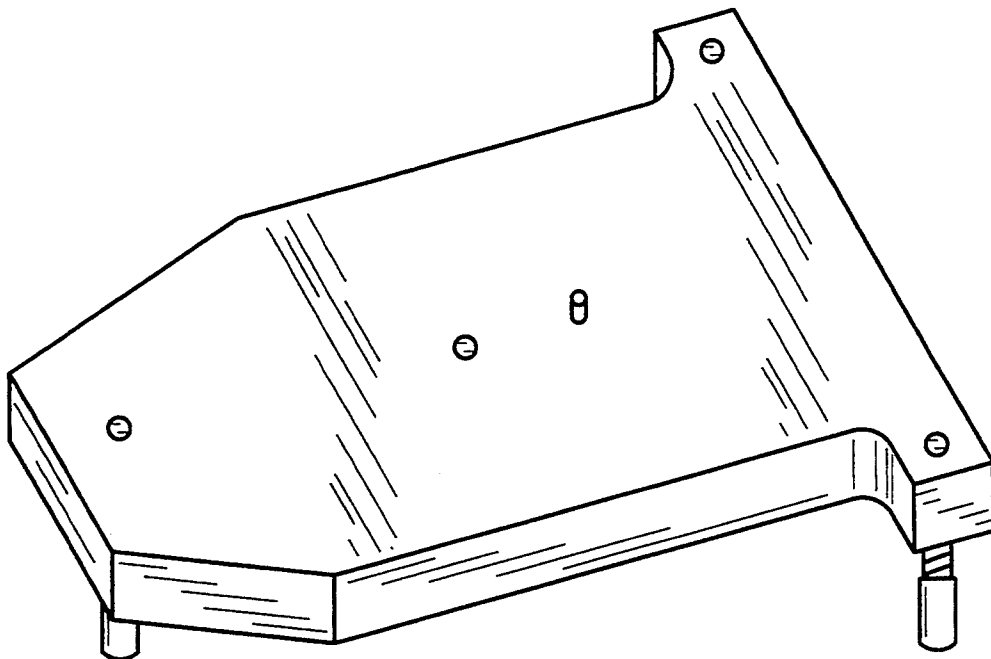
Assistant Examiner—Adir Aronovich

[57] CLAIM

The ornamental design for a video camera stand, as shown and described.

DESCRIPTION

FIG. 1 is a top plan view of a video camera stand showing my new design;  
 FIG. 2 is a bottom plan view thereof;  
 FIG. 3 is a right side elevational view, the left side view being a mirror image thereof;  
 FIG. 4 is a front elevational view thereof;  
 FIG. 5 is a rear elevational view thereof;  
 FIG. 6 is a top plan view of a second embodiment of the video camera stand;  
 FIG. 7 is a bottom plan view of the video camera stand as shown in FIG. 6;  
 FIG. 8 is a right side elevational view of the embodiment as seen in FIG. 6, the left side view being a mirror image thereof and the front and rear views being identical to the front and rear views shown in the first embodiment;  
 FIG. 9 is a top, front perspective view thereof; and,  
 FIG. 10 is a bottom, rear perspective view thereof.



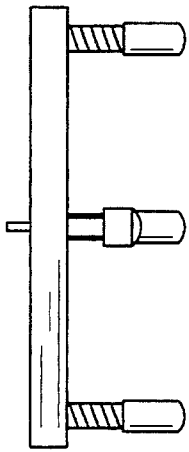


FIG. 5

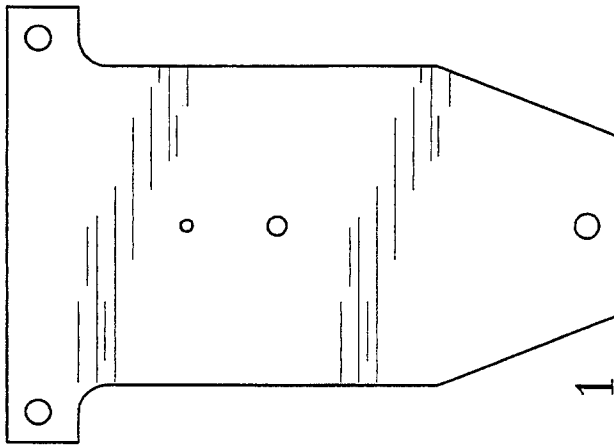


FIG. 1

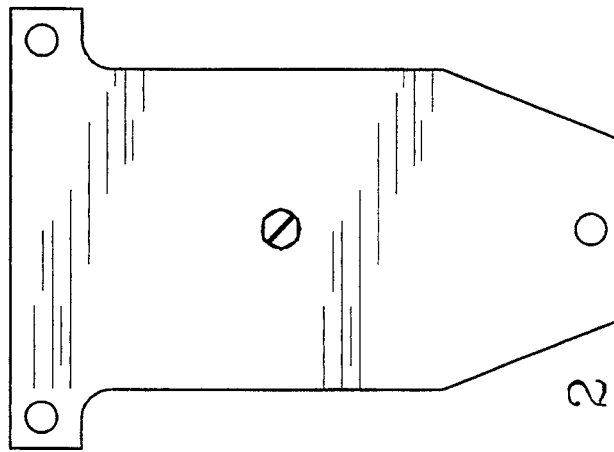


FIG. 2

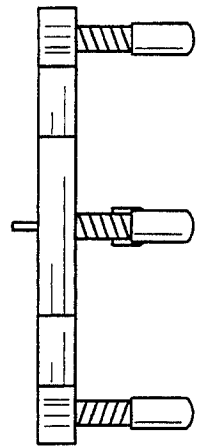


FIG. 4

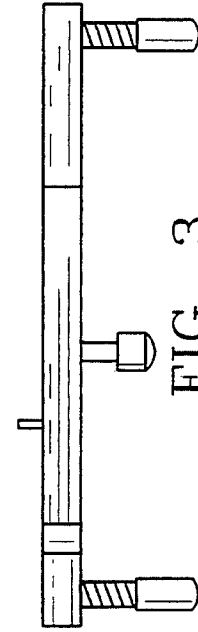


FIG. 3

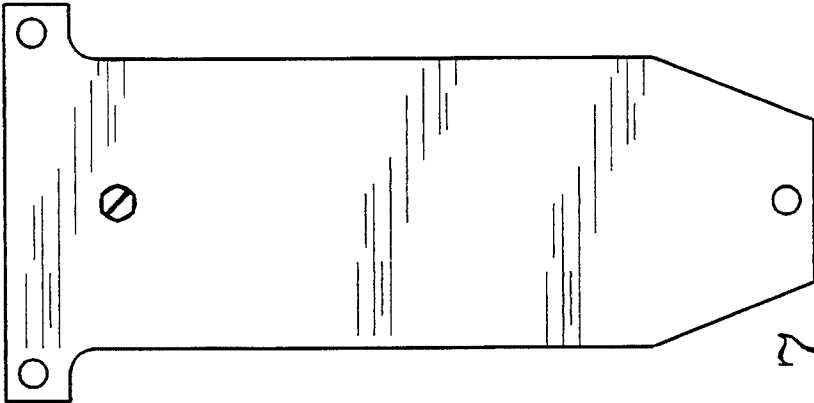


FIG. 7

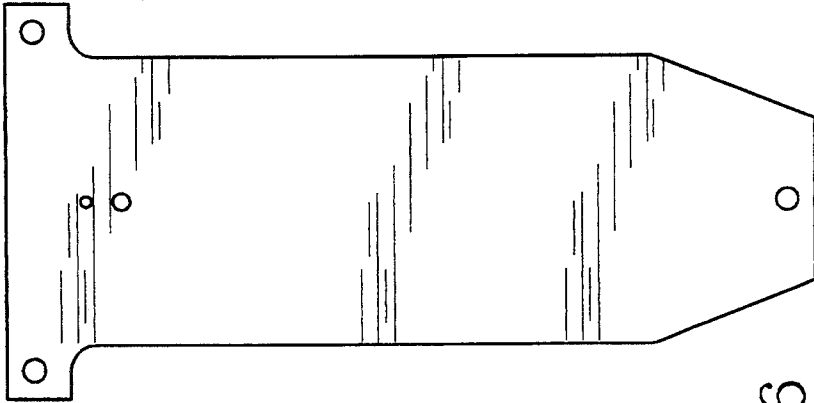


FIG. 6

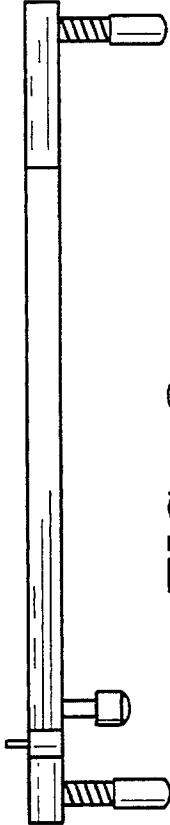


FIG. 8

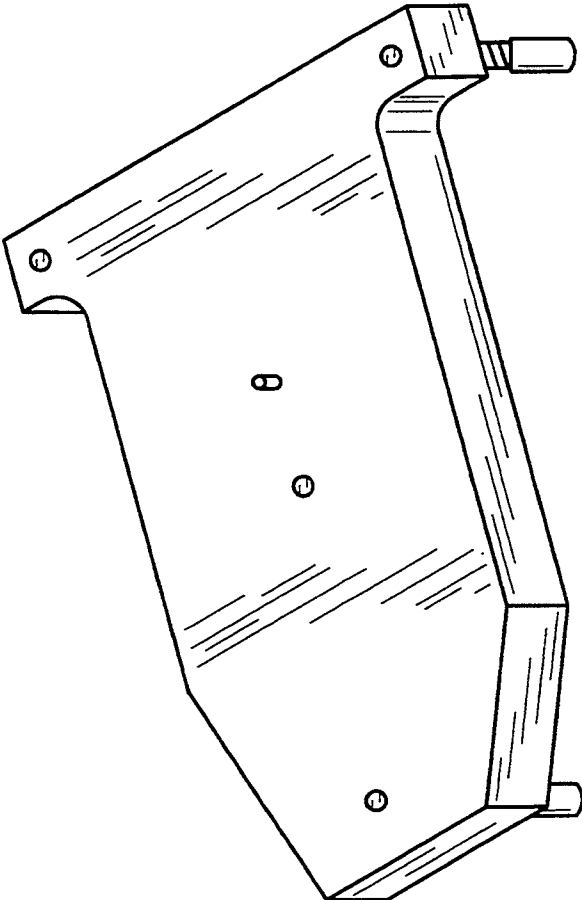


FIG. 9

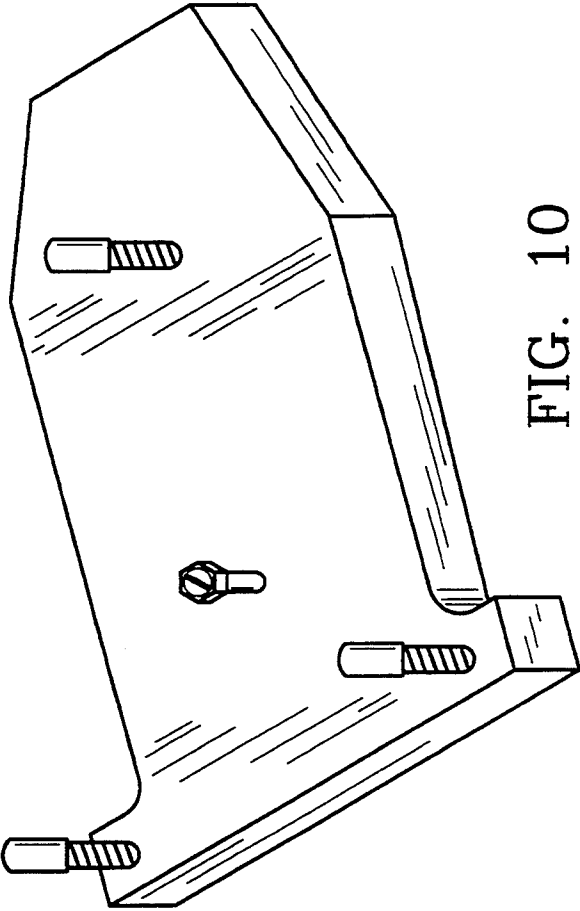


FIG. 10