



US00D882264S

(12) **United States Design Patent**
Zhang

(10) **Patent No.:** **US D882,264 S**

(45) **Date of Patent:** **** Apr. 28, 2020**

(54) **BAG FOR NOTEBOOK COMPUTERS**

(71) Applicant: **Hai Zhang**, Guangdong (CN)

(72) Inventor: **Hai Zhang**, Guangdong (CN)

(**) Term: **15 Years**

(21) Appl. No.: **29/658,182**

(22) Filed: **Jul. 30, 2018**

(51) **LOC (12) Cl.** **03-01**

(52) **U.S. Cl.**
USPC **D3/299**

(58) **Field of Classification Search**
USPC D3/205, 230, 273, 274, 275, 276, 281,
D3/284, 290, 292, 294-297, 299, 302,
D3/905, 901, 903

CPC A45C 5/04; A45C 11/00; A45C 11/16
See application file for complete search history.

(56) **References Cited**

U.S. PATENT DOCUMENTS

D135,892 S *	6/1943	Rouner	D3/299
D236,556 S *	8/1975	Di Paola et al.	D3/299
D263,095 S *	2/1982	Wajs	D3/299
D329,327 S *	9/1992	Holtzclaw, Jr.	D3/243
D356,210 S *	3/1995	Howell	D3/227
D438,008 S *	2/2001	Snider	D3/299
D522,750 S *	6/2006	Girod	D3/303
D531,407 S *	11/2006	Montague	D3/290
D660,592 S *	5/2012	Mecchella	D3/299

D677,466 S *	3/2013	Passavant	D3/290
D804,820 S *	12/2017	Tobias	D3/283
D824,170 S *	7/2018	Tobias	D3/283
D828,032 S *	9/2018	Brundage	D3/303
D858,987 S *	9/2019	Zhang	D3/283

* cited by examiner

Primary Examiner — Holly E Thurman

(74) *Attorney, Agent, or Firm* — Prakash Nama; Global IP Services, PLLC

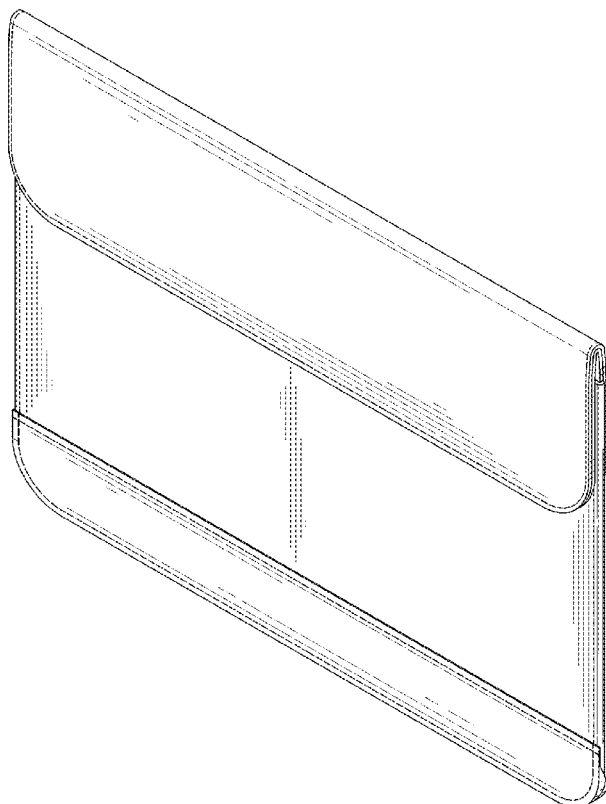
(57) **CLAIM**

The ornamental design for a bag for notebook computers, as shown and described.

DESCRIPTION

FIG. 1 is a perspective view of a bag for notebook computers showing my new design;
FIG. 2 is a front elevational view thereof;
FIG. 3 is a rear elevational view thereof;
FIG. 4 is a left side view thereof;
FIG. 5 is a right side view thereof;
FIG. 6 is a top plan view thereof; and,
FIG. 7 is a bottom plan view thereof.
The broken lines shown in FIGS. are stitchings which are part of the claimed design.

1 Claim, 7 Drawing Sheets



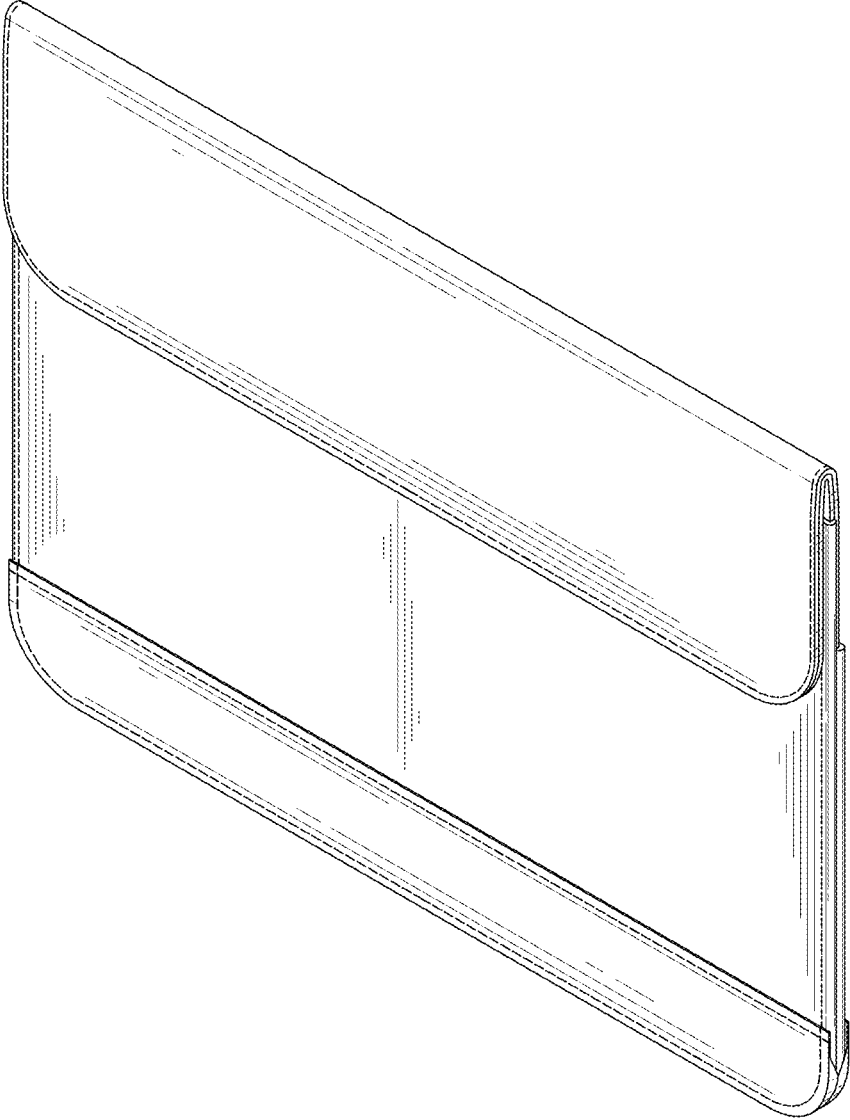


FIG. 1

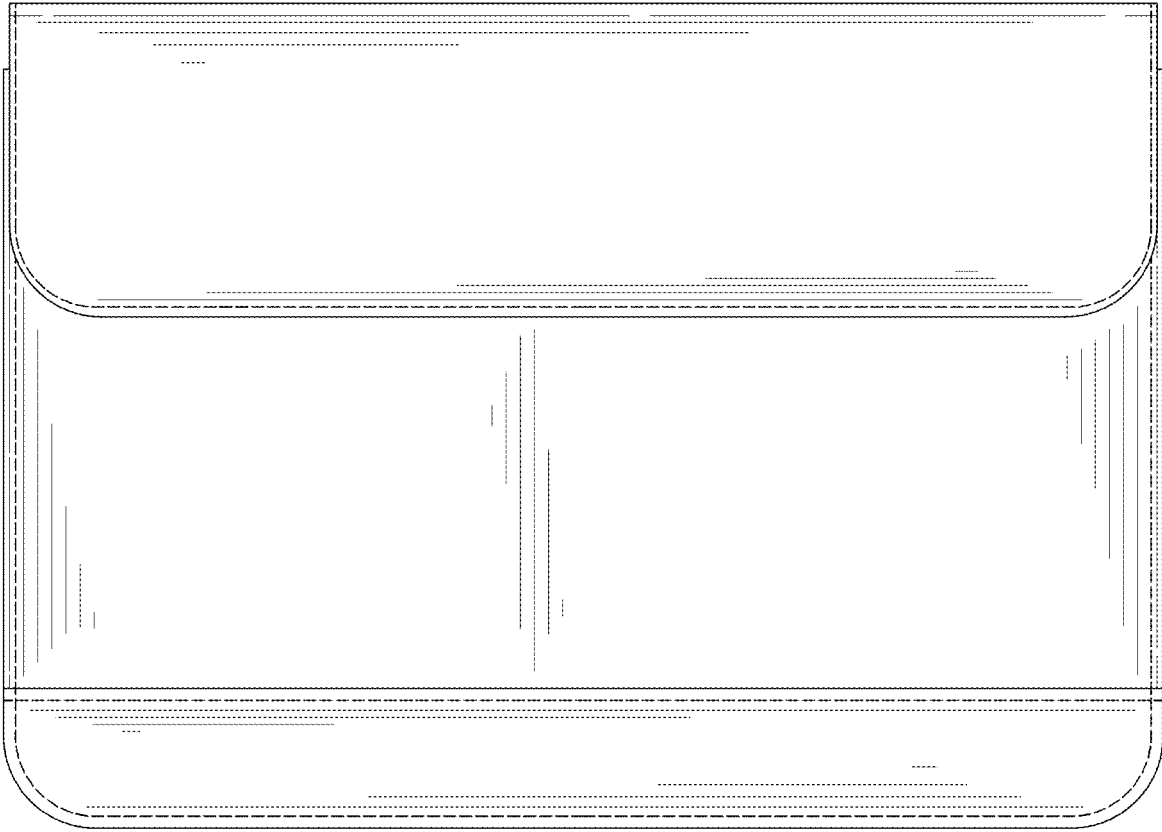


FIG. 2

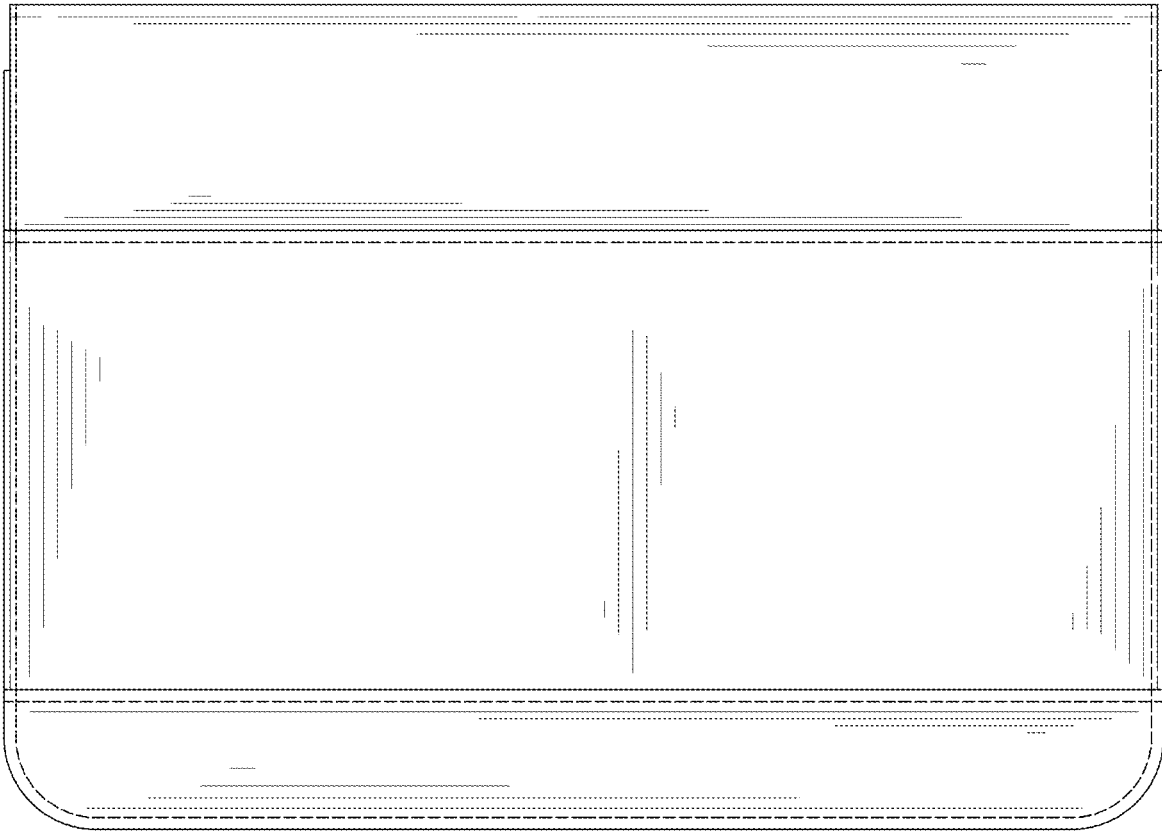


FIG. 3

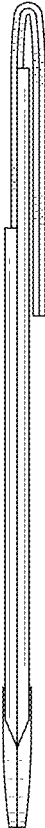


FIG. 4



FIG. 5



FIG. 6



FIG. 7