



US00D945617S

(12) **United States Design Patent**  
**Wright**

(10) **Patent No.:** **US D945,617 S**

(45) **Date of Patent:** **\*\* Mar. 8, 2022**

(54) **KNIFE BLADE SURGICAL TOOL**

OTHER PUBLICATIONS

(71) Applicant: **Mark B. Wright**, Jackson, ID (US)

Parallel Graft Knife Blade, 11mm. Arthrex.com. Date viewed: Aug. 24, 2021. Retrieved from internet: <https://www.arthrex.com/products/AR-2285-11> (Year: 2021).\*

(72) Inventor: **Mark B. Wright**, Jackson, ID (US)

\* cited by examiner

(\*\*) Term: **15 Years**

*Primary Examiner* — Eric L Goodman

*Assistant Examiner* — Lee D. Starr

(21) Appl. No.: **29/720,161**

(74) *Attorney, Agent, or Firm* — Richard D. Clarke

(22) Filed: **Jan. 10, 2020**

(51) **LOC (13) Cl.** ..... **24-02**

(52) **U.S. Cl.**

USPC ..... **D24/146**

(58) **Field of Classification Search**

USPC .... D24/146, 147, 133, 127; D8/7, 8, 70, 90,  
D8/98; D7/693–697, 649, 650  
CPC ..... A61B 17/14; A61B 17/142; A61B 17/144;  
A61B 17/147; A61B 17/32; A61B  
17/320056; A61B 17/320064; A61B  
17/320068; A61B 17/320082; A61B  
17/3209

See application file for complete search history.

(57) **CLAIM**

I claim the ornamental design for a knife blade surgical tool, as shown and described.

**DESCRIPTION**

FIG. 1 is a top perspective view of the knife blade surgical tool;

FIG. 2 is a top plan view of the knife blade surgical tool shown in FIG. 1;

FIG. 3 is a right side elevation view of the knife blade surgical tool shown in FIG. 1, wherein the left side elevation view is a mirror image of this FIG. 3;

FIG. 4 is a front elevation view of the knife blade surgical tool shown in FIG. 1, wherein the rear elevation view is a mirror image of this FIGS. 4; and,

FIG. 5 is a bottom view of the knife blade surgical tool shown in FIG. 1.

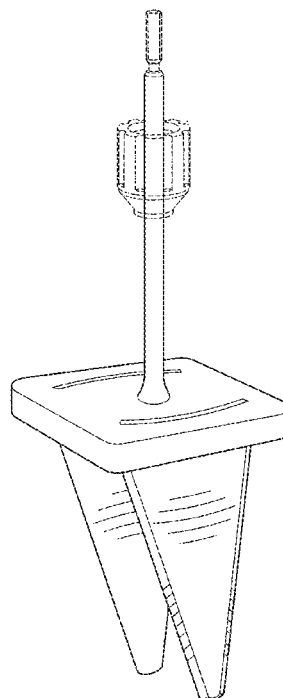
The broken line showing of the ribbed circular connecting feature depicts environmental subject matter and forms no part of the claim. All other broken lines in the drawings depict portions of the knife blade surgical tool that form no part of the claimed design.

(56) **References Cited**

U.S. PATENT DOCUMENTS

D308,618 S *	6/1990	Shenouda	.....	D7/697
4,969,267 A *	11/1990	Anenberg	.....	B26B 3/04 30/304
D726,317 S *	4/2015	DeLaRosa	.....	D24/147
D728,100 S *	4/2015	Hasebe	.....	D24/147
D852,955 S *	7/2019	Pfeffer	.....	D24/146
D923,788 S *	6/2021	Sweitzer	.....	D24/146
2018/0263635 A1 *	9/2018	Zhan	.....	A61B 17/32
2019/0254696 A1 *	8/2019	Sun	.....	A61B 17/1615

**1 Claim, 2 Drawing Sheets**



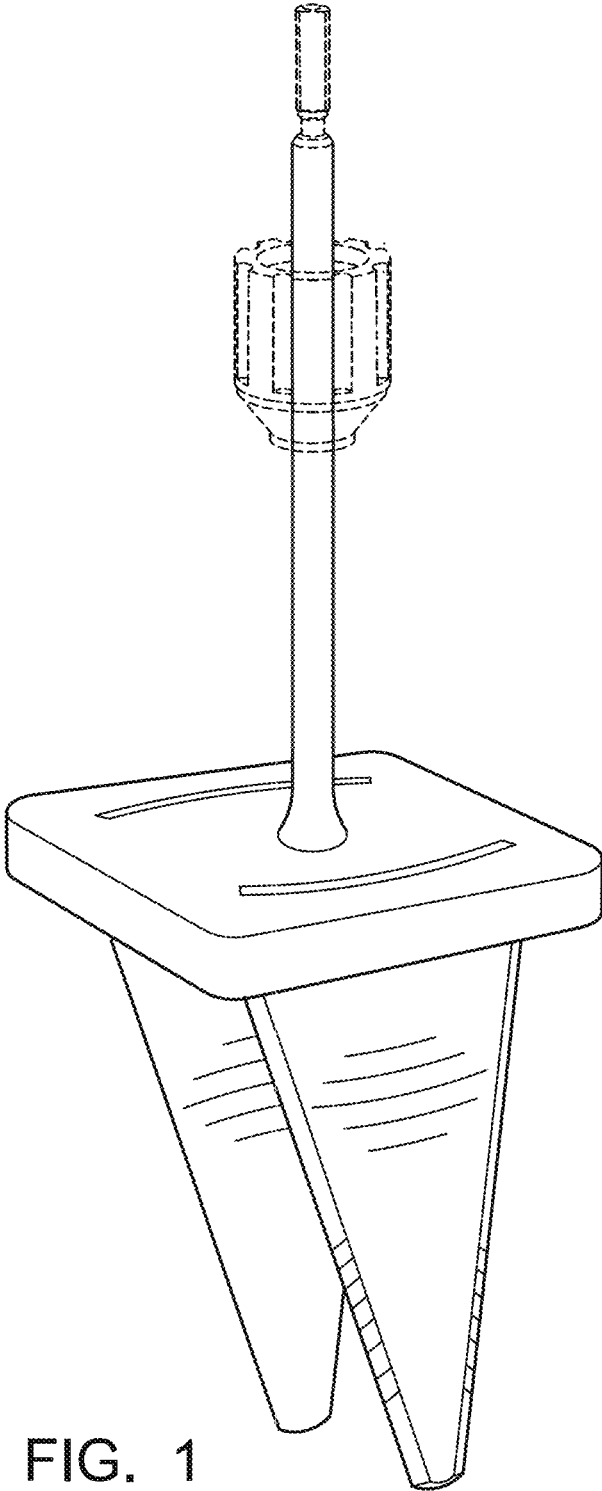


FIG. 1

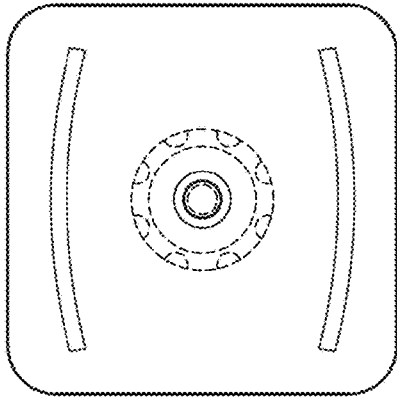


FIG. 2

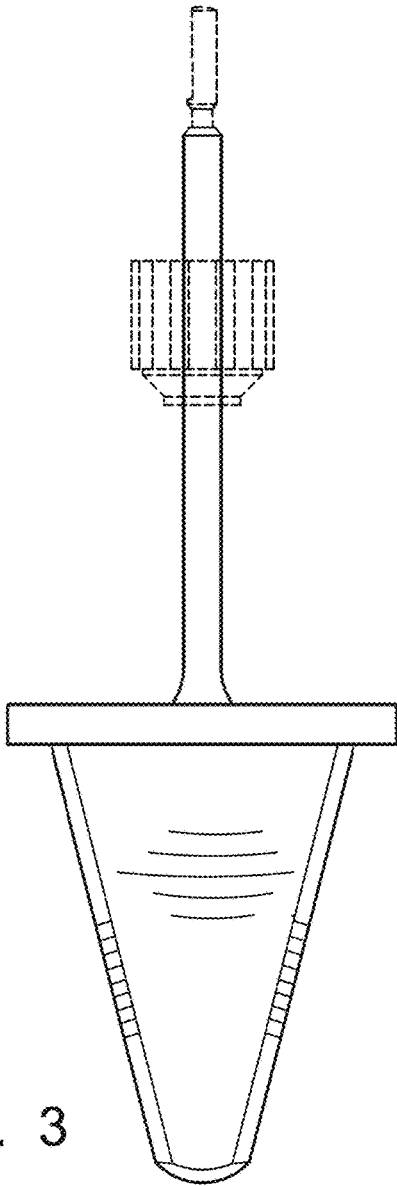


FIG. 3

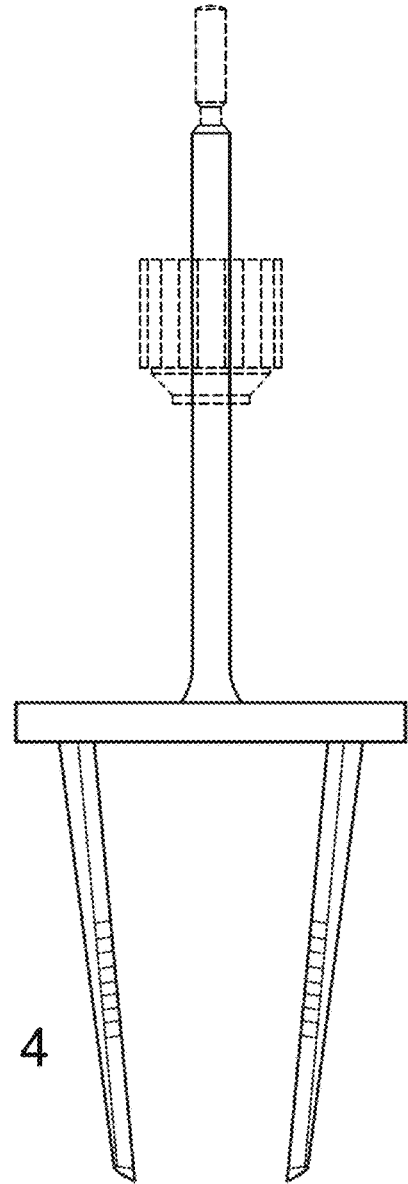


FIG. 4

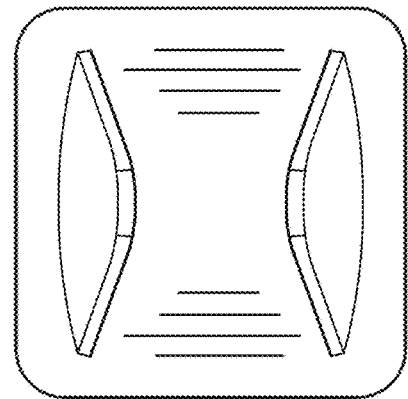


FIG. 5