

[54] **SHOWER OUTLET FITTING** 3,231,200 1/1966 Heald 239/310

[75] Inventors: **Gary A. Fleischmann**, Sheboygan, Wis.; **Lawrence C. Peabody**, Rindge, N.H.

[73] Assignee: **Kohler Co.**, Kohler, Wis.

[**] Term: **14 Years**

[21] Appl. No.: **138,838**

[22] Filed: **Apr. 10, 1980**

[51] Int. Cl. **D23-01**

[52] U.S. Cl. **D23/35**

[58] Field of Search **D23/34-39;**
4/191, 192; 239/456, 460

[56] **References Cited**

U.S. PATENT DOCUMENTS

D. 101,440	10/1936	Dreyfuss	D23/35
D. 188,644	8/1960	Kohler	D23/35
D. 189,117	10/1960	Kohler	D23/35
2,000,791	5/1935	Schmiedeknecht	4/192
2,285,831	6/1942	Pennypacker	239/460

OTHER PUBLICATIONS

House and Garden, Apr. 1949, p. 154, "Self-Cleaning Shower Head" item.
Kohler Co. Catalog, p. 146, K-7351, K-7371 and K-7397 items.

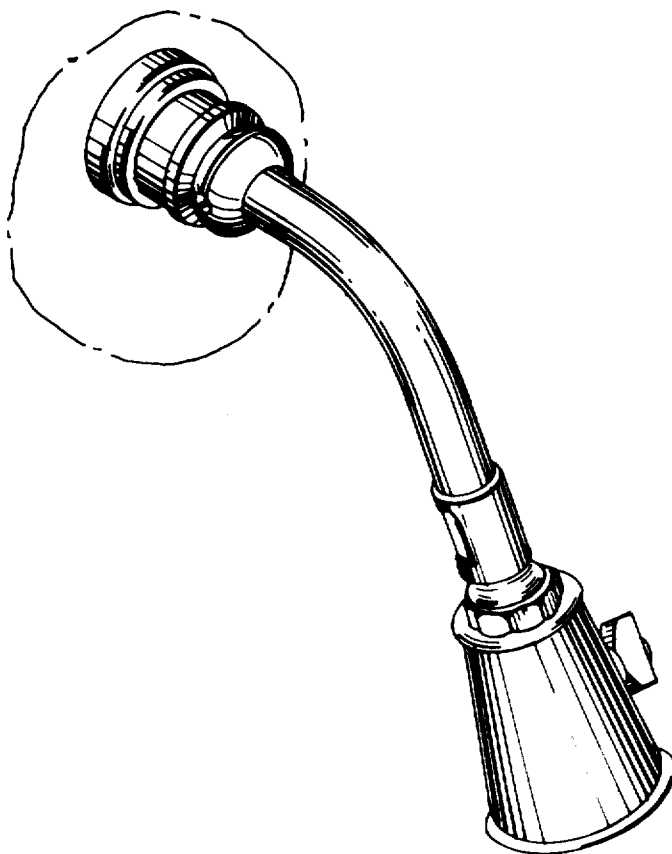
Primary Examiner—James R. Largen
Attorney, Agent, or Firm—Quarles & Brady

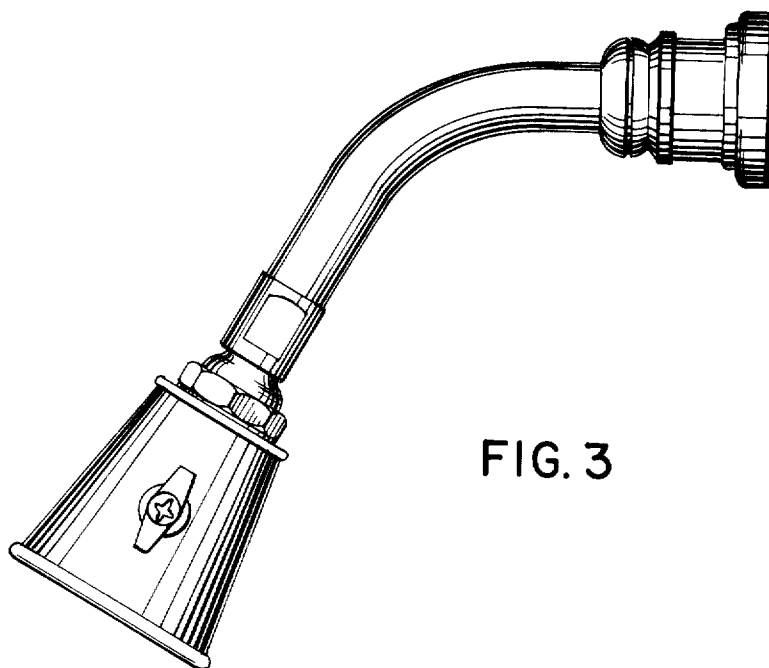
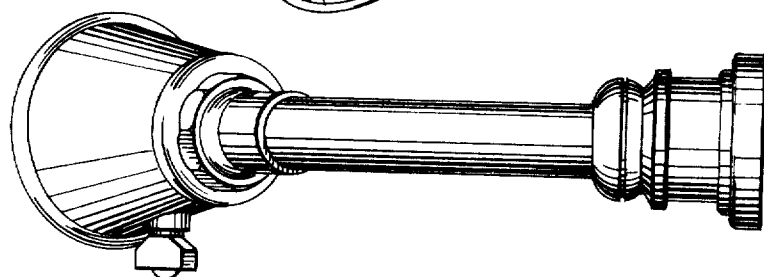
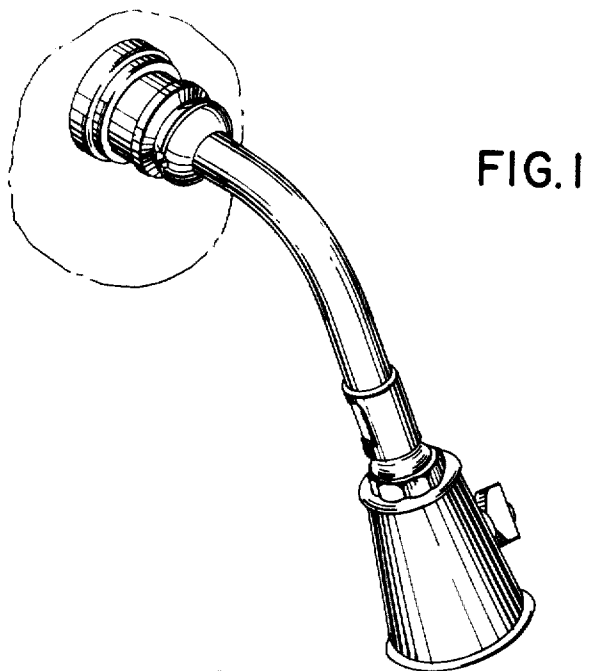
[57] **CLAIM**

The ornamental design for a shower outlet fitting, as shown and described.

DESCRIPTION

FIG. 1 is a perspective view of a shower outlet fitting showing our new design;
FIG. 2 is a top plan view thereof;
FIG. 3 is a right side elevational view thereof;
FIG. 4 is a left side elevational view thereof;
FIG. 5 is a front elevational view thereof; and
FIG. 6 is a bottom plan view thereof.
The fragmentary broken line representation of a wall in FIG. 1 is for purposes of illustration only.





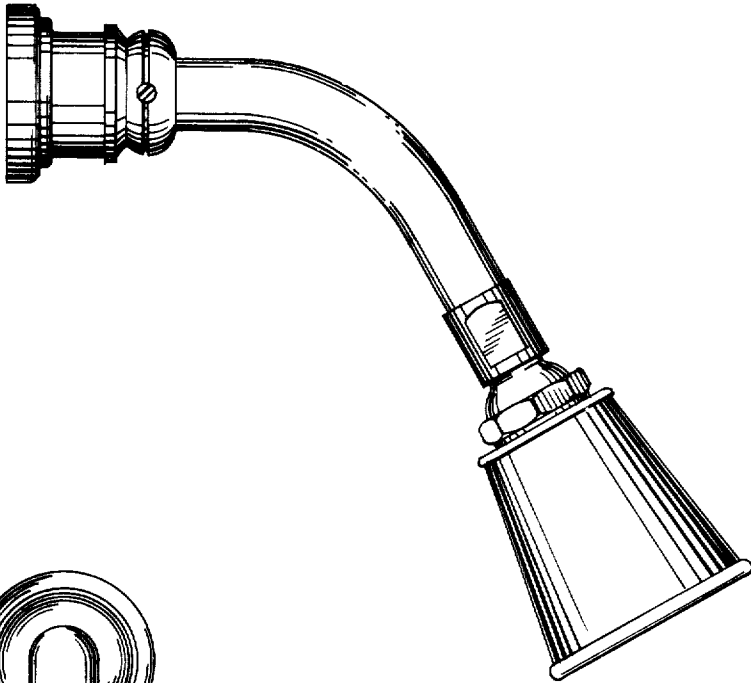


FIG. 4

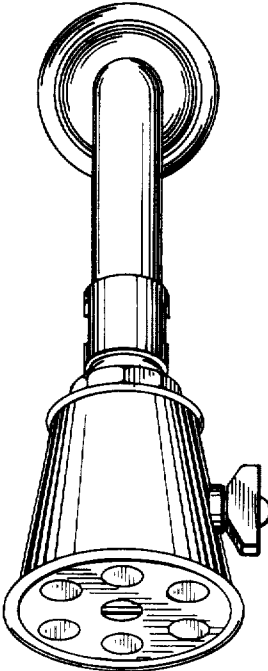


FIG. 5

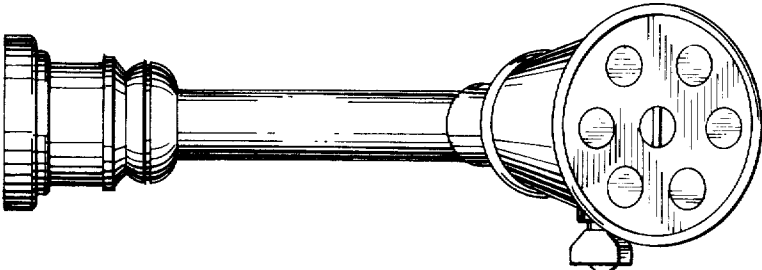


FIG. 6