



US00D340218S

United States Patent [19]

[11] Patent Number: **Des. 340,218**

Delage et al.

[45] Date of Patent: **** Oct. 12, 1993**

[54] TOP TRUNK FOR BICYCLE

[56] **References Cited**

[75] Inventors: **Alain Delage, Montreal; Richard Lamoureux, L'Assomption, both of Canada**

U.S. PATENT DOCUMENTS

D. 254,062	1/1980	Anton	D12/158
D. 264,458	5/1982	Vetter et al.	D12/158
D. 273,578	4/1984	Hsu	D12/158
D. 308,191	5/1990	Yamada et al.	D12/158

[73] Assignee: **Plastiques Anchor Ltee, L'Assomption, Canada**

Primary Examiner—Wallace R. Burke
Assistant Examiner—Melody N. Brown
Attorney, Agent, or Firm—ROBIC

[**] Term: **14 Years**

[57] **CLAIM**

[21] Appl. No.: **850,776**

The ornamental design for a top trunk for bicycle, as shown and described.

[22] Filed: **Mar. 13, 1992**

DESCRIPTION

[30] **Foreign Application Priority Data**

Dec. 17, 1991 [CA]	Canada	17-12-91-5
[52] U.S. Cl.		D12/158
[58] Field of Search	D12/158; 224/30 R, 30 A, 224/32 R, 32 A, 39	

FIG. 1 is a perspective view of a top trunk for bicycle, showing our new design;
 FIG. 2 is a front elevational view thereof;
 FIG. 3 is a rear elevational view thereof;
 FIG. 4 is a side elevational view thereof, the opposite side being a mirror image of that shown;
 FIG. 5 is a top plan view thereof; and,
 FIG. 6 is a bottom plan view thereof.

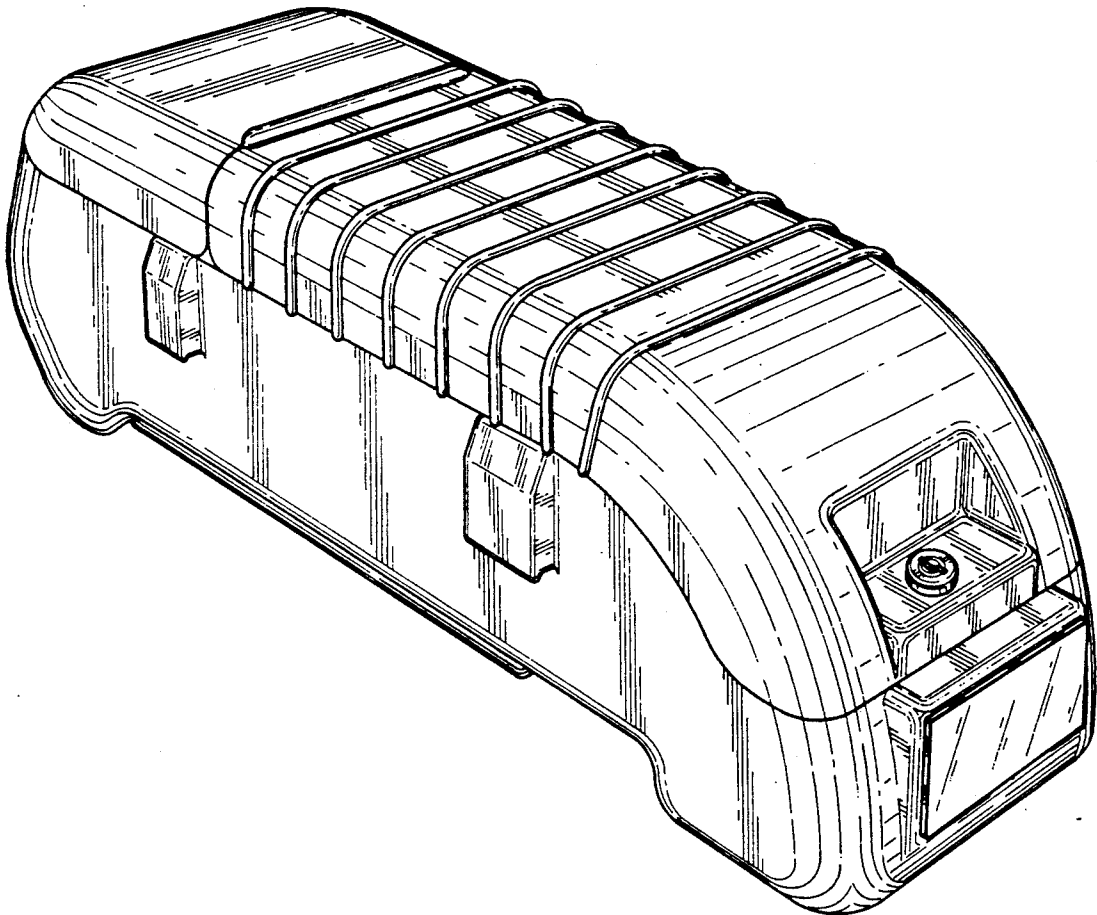
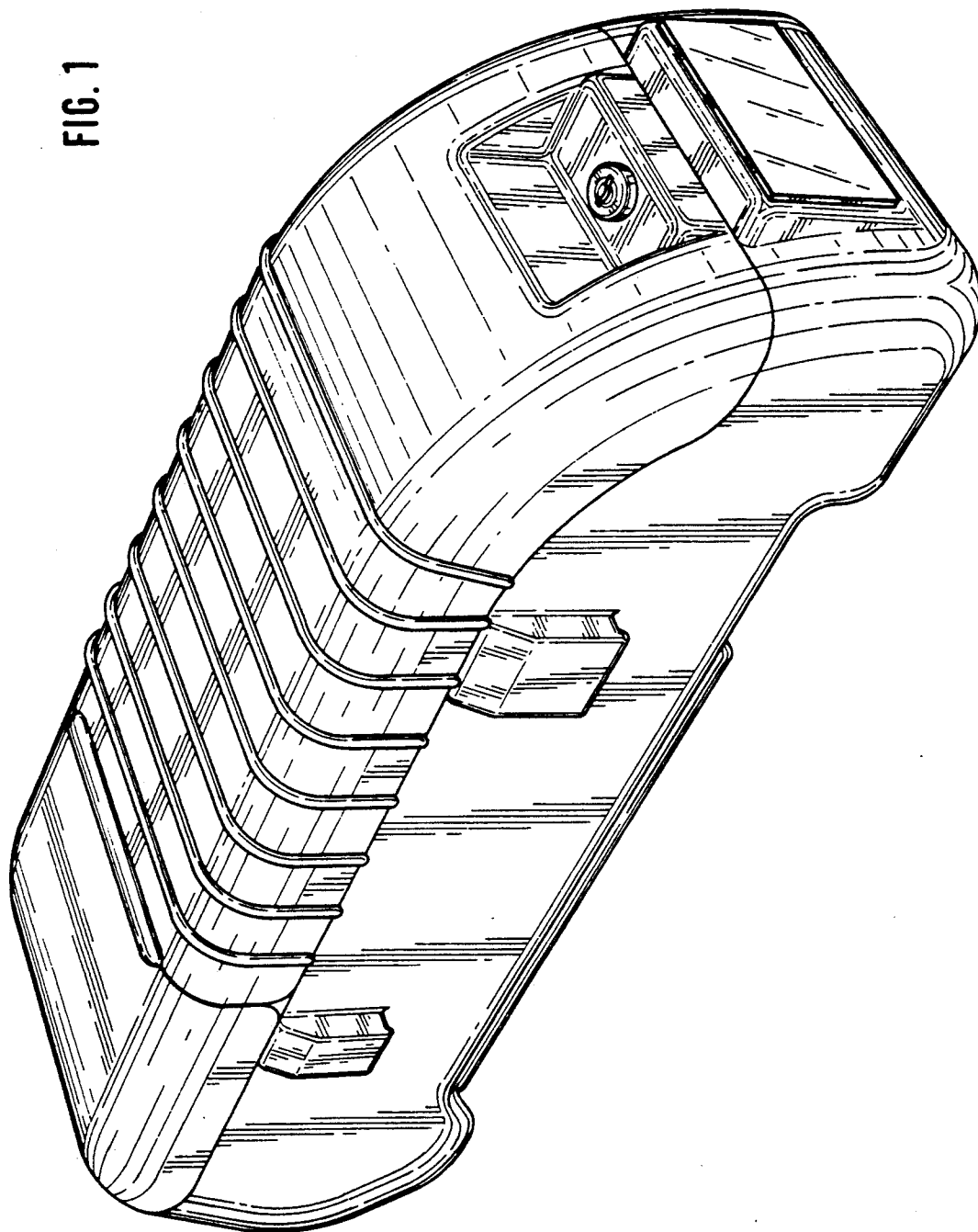


FIG. 1



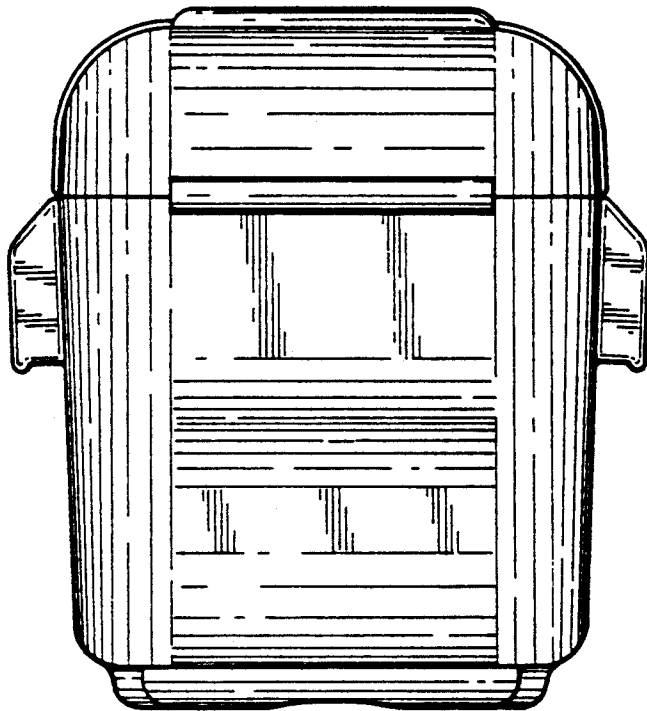


FIG. 2

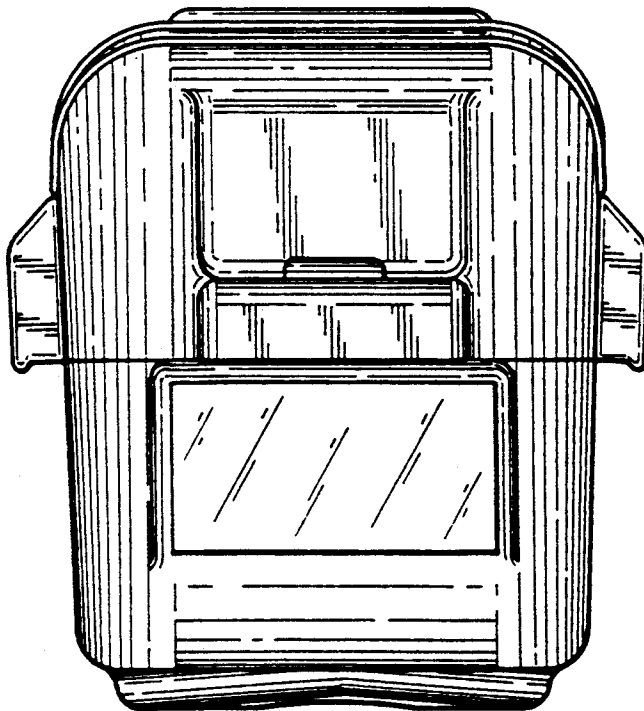
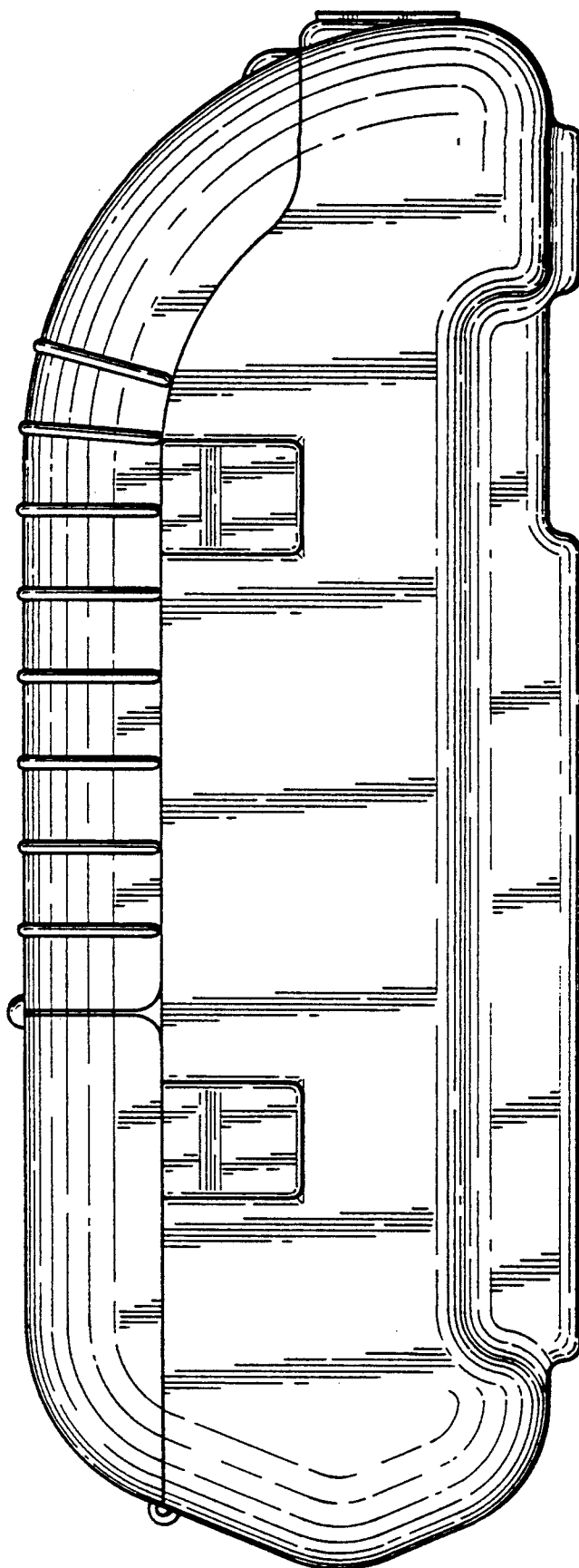


FIG. 3

FIG. 4



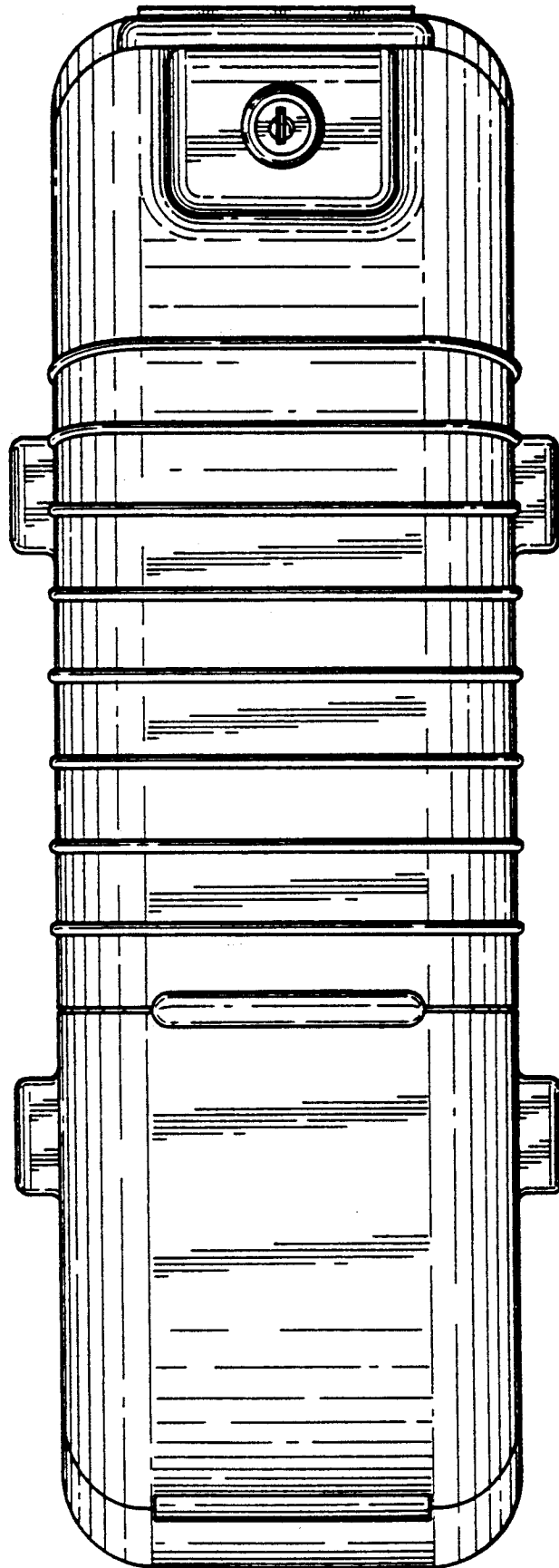


FIG. 5

FIG. 6

