

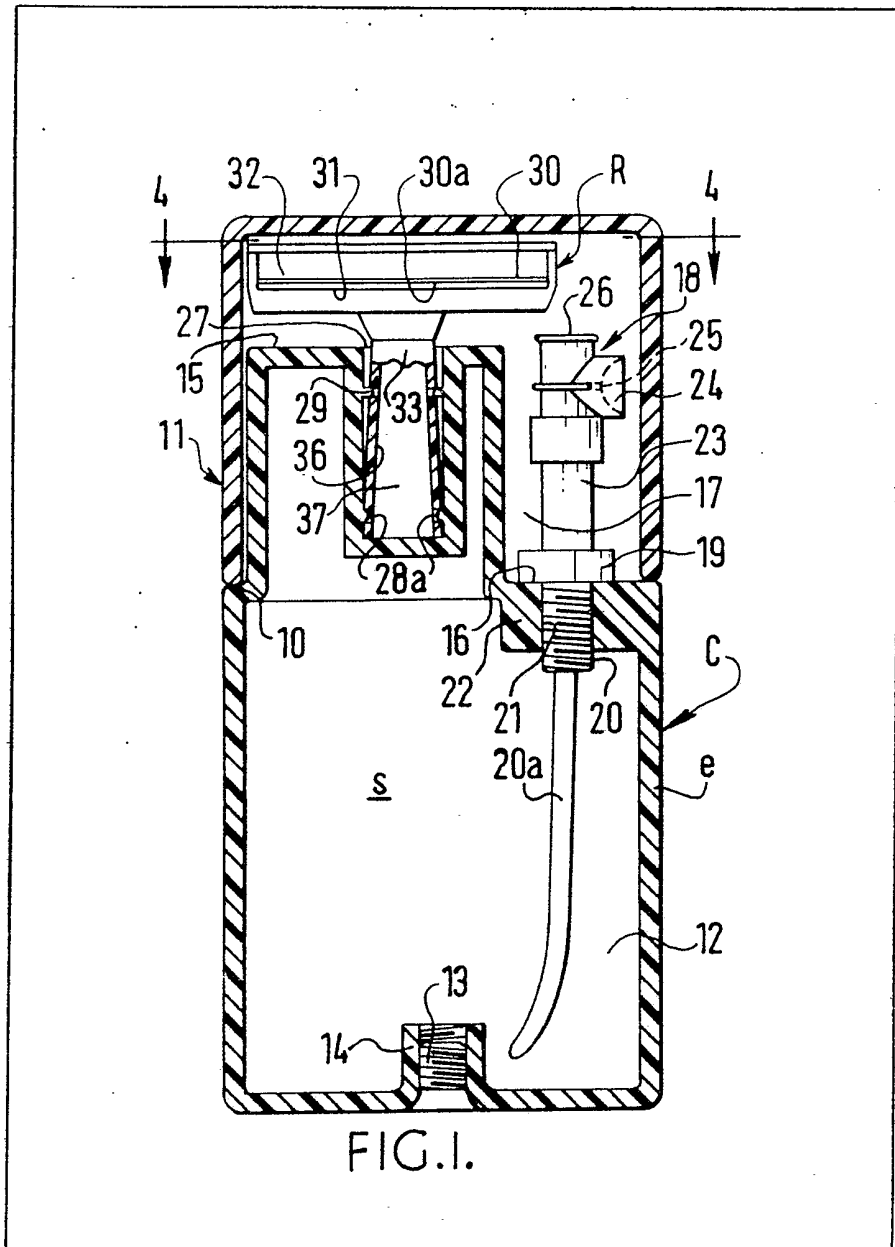
(12) UK Patent Application (19) GB (11) 2 075 406 A

- (21) Application No 8015278
- (22) Date of filing 8 May 1980
- (43) Application published 18 Nov 1981
- (51) INT CL³ B26B 21/44 // 21/52
- (52) Domestic classification B4B 31B 33E
- (56) Documents cited None
- (58) Field of search B4B
- (71) Applicant Charles H. Bennett, 8320 Russell Street, Utica, Michigan 48087, United States of America
- (72) Inventor Charles H. Bennett
- (74) Agents Marks & Clerk, 57—60 Lincoln's Inn Fields, London WC2A 3LS

(54) Combined razor holder and shaving fluid dispenser

(57) A reusable, pocket-size container, having a chamber 12 for holding a shaving lather and adapted to be gripped by the hand of the shaver, has an open-ended well 37 in its upper end which is separated from the lather chamber and configured to receive a disposable safety razor comprising a stem 33 and an overhanging shaving

head 32. The stem is withdrawable from a stored position within the well to a raised position in which it is automatically held in shaving position. It can also be completely withdrawn from the well to permit the replacement of a fully used razor with another. A device 18 is provided to dispense lather from the chamber and a cap is provided for the top of the container to house the components when the device is not in use.



GB 2 075 406 A

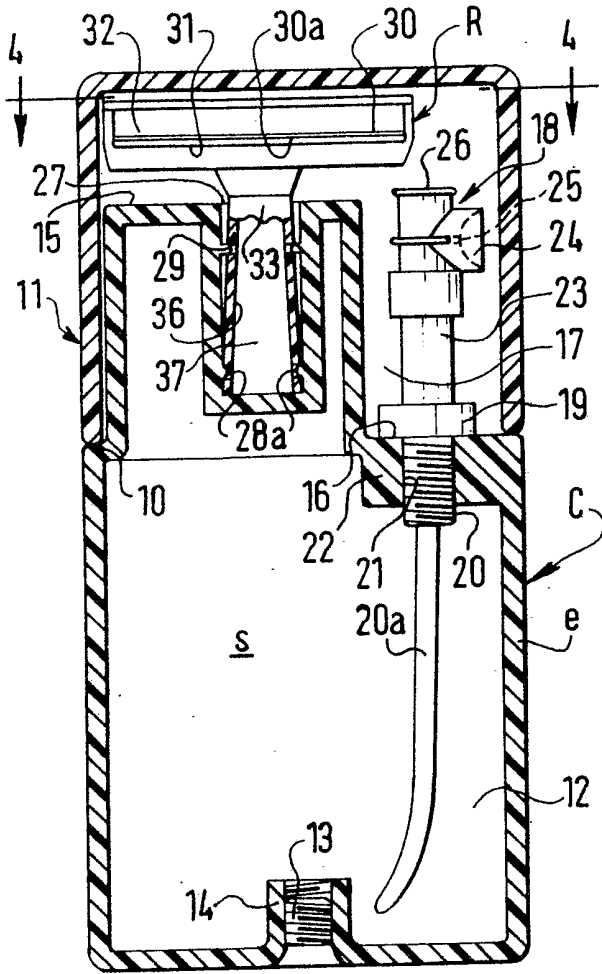


FIG. 1.

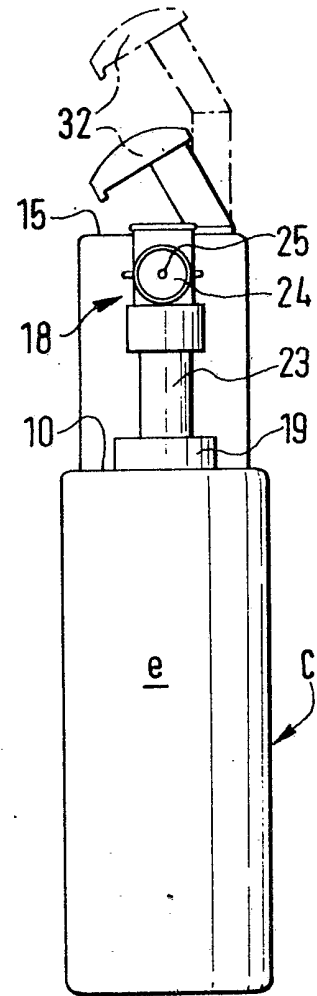


FIG. 2.

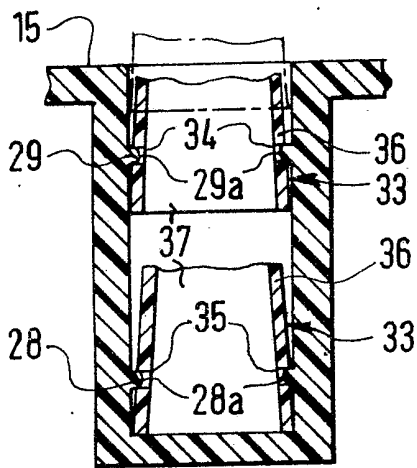


FIG. 3.

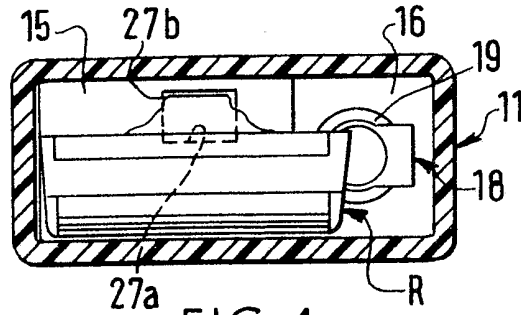


FIG. 4.

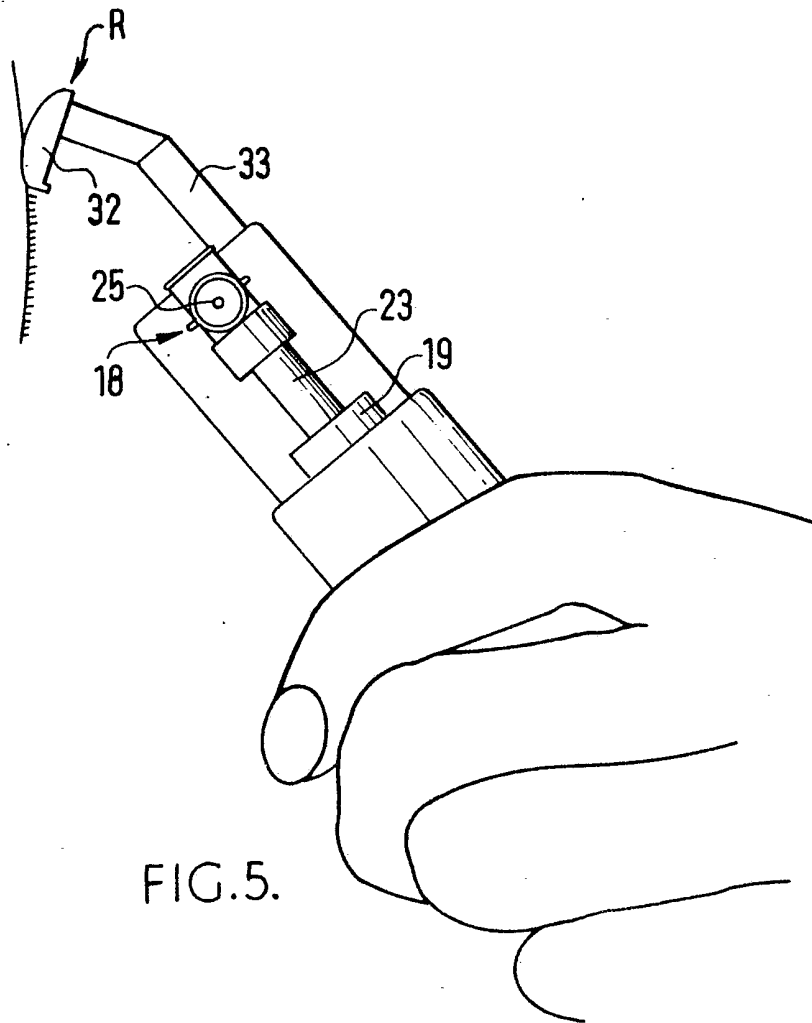


FIG. 5.

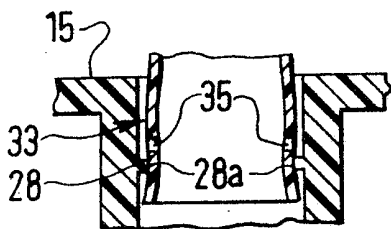


FIG. 6.

SPECIFICATION

Combined razor holder and shaving fluid dispenser

The present invention relates generally to
 5 combined razor holders and shaving lather
 dispensers of the type which both dispense a
 shaving lotion or lather and provide a blade for
 shaving purposes. The invention relates to
 improvements in devices of the character
 10 generally disclosed in prior U.S. patents 1,744,902;
 2,501,987; 2,743,732; 2,886,265; 3,176,391;
 3,426,769; 3,703,765; 3,726,009; 3,985,146;
 4,074,428; and 4,077,119.

Background of the Invention

15 The present invention relates to a compact,
 portable combined shaving liquid dispenser and
 razor holder which is extremely useful for the
 purpose of providing quick or emergency shaves
 for those who, in the modern business world, find
 20 themselves temporarily without the usual home
 shaving facilities. As such, the invention
 contemplates a device or about the size of a
 conventional package of cigarettes which can be
 gripped by the hand of a user employing the
 25 device to shave. A reusable refillable container,
 which contains sufficient lather for a number of
 shaves is provided and the device further utilizes a
 disposable safety razor which can be discarded
 after its blade has been used a number of times.

Objects of the Invention

30 It is an object of the present invention to
 provide a combined shaving lather dispenser and
 razor holder in which the lather holder and
 dispenser is refillable and useful as a handle for a
 35 disposable razor which can be moved from a
 retracted position to a shaving position, and thus
 discarded when its blade has dulled.

Another object of the invention is to provide a
 shaving device of the character described which is
 40 particularly useful for travelers, for example, and
 yet provides more than a single shave.

Still another object of the invention is to
 provide a shaving device which, after use, can be
 readily cleaned and stored sanitarly for future use.

45 Another further object of the invention is to
 provide a shaving device of the character
 described which has few parts, is appealing to
 prospective users, and can be sufficiently
 inexpensively constructed that it is commercially
 50 practical.

Summary of the Invention

The afore-mentioned and other objects of the
 invention are satisfied by providing an
 inexpensive, portable, compact shaving device
 55 which includes a lather-filled container having its
 top wall formed to provide a separate, open-ended
 well for receiving the stem of a disposable safety
 razor. The well and stem are provided with
 automatic stop mechanism which permits the
 60 stem to be pulled from a fully retracted storage
 position to a partially retracted shaving position in

65 which the razor is held rigidly for shaving. While
 both the container and razor can be used to shave
 a number of times, the invention contemplates
 refilling and sustained use of the container, and
 the replacement of the razor when the razor blade
 becomes dulled.

70 Other objects, features, and advantages of the
 present invention will become apparent with
 perusal of the detailed description of the preferred
 embodiment of the invention when taken in
 conjunction with the appended drawings, wherein:

75 Figure 1 is a sectional, elevational view
 showing the disposable razor in stored position
 and the container cap in place;

Figure 2 is an end elevational view thereof, with
 the cap removed and the broken lines indicating a
 raised position of the razor in which the device is
 ready for use as a shaving implement;

80 Figure 3 is an enlarged, sectional, side
 elevational view of the razor stem-
 accommodating well, the lower end of the razor
 stem being shown fragmentarily in two different
 positions and the chain lines indicating the
 85 manner in which the razor may be completely
 removed from the well to permit razor
 replacement.

Figure 4 is a sectional top plane view taken on
 the line 4—4 of Figure 1;

90 Figure 5 is a side elevational view illustrating
 the manner in which the device is used for
 shaving; and

95 Figure 6 is an enlarged sectional fragmentary
 view illustrating the manner in which the razor
 stem deforms to permit it to be moved within and
 up out of the well.

Detailed Description

100 Referring now more particularly to the
 drawings, the combined razor holder and shaving
 fluid dispenser of the present invention comprises
 a one-piece molded plastic container generally
 designated C which is necked in or shouldered as
 at 10 to frictionally accommodate a closure cap
 11. As will be apparent from the drawings, the
 105 container C which has an interior shaving lather
 holding chamber 12 is generally oblong in shape
 and is larger in its width dimension (see Figure 11)
 than in its depth dimension (see Figure 2). In
 practice, the fully assembled container, as
 110 disclosed in Figure 1, will be of about the size of a
 package of cigarettes and will be easily gripped by
 the hand of the shaver, as Figure 5 indicates.

The container C is to be a refillable container
 capable of sustained use and, therefore, is
 115 preferably molded of a suitable plastic such as
 polypropylene or one of the other polyolefins in
 the wall thickness indicated, provides a
 substantially rigid body. The chamber 12 is
 subject to refilling via a removable screw 13,
 120 threadly received in the boss or sleeve 14
 moulded into the bottom of container C. It will be
 seen that the container C is of special shape and
 that its top wall, which I have generally designated
 15, is tepped down as at 16 for the purpose of
 125 forming a recess 17 within which the upper end of

a conventional dispenser 18 can be housed. Dispenser 18 can be, for instance, the spring returned, top push, vacuum pump which is commonly used to dispense window cleaning solution, for instance, and is marketed by Drackett Corporation of Cincinnati, Ohio. Such devices include a mount 19 having a threaded sleeve 20 secured in threaded opening 21 provided in an increased thickness top wall portion 22 of casing C. Such devices incorporate a depressable sleeve 23 having a nozzle 24 with a dispensing outlet 25. When the sleeve 23 is depressed by pushing downwardly on its top surface 26, a vacuum is created by the pump which causes shaving lotion drawn into the open ended inlet tube 20a to be ejected in the form of a charge of lotion through outlet opening 25 to the hand of a shaver who then can rub it on his beard in the usual manner. Alternatively, a dispensing device of the character disclosed in patent 3,426,769, which is quite similar, may be used.

Molded in the top wall 15 of the container casing C is a well 27 which extends generally vertically parallel to the recess 17 provided to house the dispenser 18. As Figure 1 indicates, the well 27 is generally centrally located relative to the end walls e of the casing, but is off centrally located with respect to the sidewalls s of casing C (see Figures 2 and 4). It will be seen that the well 27 is also oblong in shape and includes sidewalls 27a and end walls 27b. The sidewalls 27a include lower and upper vertically spaced projections 28 and 29, respectively, provided with curvilinear stem-confronting surfaces 28a and 29a.

The disposable razor I have generally designated R is of the safety razor type and comprises a one-piece plastic mass molded of polypropylene or another suitable plastic material. In this disposable construction, the blade insert 30 which has cutting edge 30a opposite slotted opening 31 is molded directly into the enlarged over-hanging head 32 for tapered razor stem 33. It will be observed that the stem 33 is tubular and that it has vertically spaced apart upper and lower openings or recesses 34 and 35 provided in stem end walls 36. The thickness of walls 36, and also stem sidewalls 37, is such that the deformation shown in Figure 6 can take place when the stem 33 is pulled upwardly or pushed downwardly with sufficient force to cause the projections 28 and 29 to deform the sidewalls of the stem as they move out of and past projections 28 and 29. As Figure 6 indicates, when the stem 33 is pulled upwardly or pushed downwardly, the curvilinear surfaces 28a and 29a cam the stem sidewalls 36 inwardly to permit the movement of stem 33 within the well 27. Because the stem 33 tapers slightly, the projections 29 must project inwardly slightly beyond the projections 28.

60 The Operation

In the storage position illustrated in Figure 1, razor stem 33 is held in retracted position by virtue of the engagement of projections 28 and 29 in the openings 34 and 35 provided in stem 33.

65 When it is desired to use the shaving implement to shave the surface such as the bearded face surface shown in Figure 5, the cap 11, which is frictionally or otherwise suitably interengaged in position on container C, is pulled upwardly and removed. As indicated earlier, to obtain shaving lotion to rub on the face is a simple matter of depressing stem sleeve 26 to receive lather from the dispensing opening 25. The user then grasps the head 30 of razor R and pulls the stem 33 upwardly to move razor R to the broken line position shown in Figure 2. When he exerts sufficient force, the projections 28 and 29 cam the sidewalls 36 of razor stem 33 inwardly sufficiently to permit the lower end of the razor stem 33 to move from the lower position shown in Figure 3 to the upper position in which projections 29 are engaged in opening 35. In this position, the interengagement of projections 29 in openings 35 is sufficient to hold the razor R rigidly in position.

85 To remove the razor R completely, for purposes of replacement, the user may simply pull the razor R upwardly (as indicated by the broken line position in Figure 3) to remove the projections 29 from the openings 35. He may then pull the razor stem 33 completely out of the well 27 and reinsert a replacement razor, pushing downwardly to the retracted storage position shown in Figure 1 in which both sets of projections 28 and 29 are engaged in both sets of recesses 35 and 34, respectively.

It is to be understood that the drawings and descriptive matter are in all cases to be interpreted as merely illustrative of the principles of the invention, rather than as limiting the same in any way, since it is contemplated that various changes may be made in various elements to achieve like results without departing from the spirit of the invention or the scope of the appended claims.

CLAIMS

105 1. In a compact, portable, pocket size, shaving product; a reusable container having a chamber for holding a shaving lotion and configured to be gripped by the hand of a shaver; said container having an open ended vertical well of predetermined length in the upper end of the container, separated from said chamber; and open to the top wall of the container at its upper end; a device for dispensing lather from said container; a disposable safety razor comprising a stem with an overhanging head having an exposed blade; the stem being of a cross-sectional size and shape to be received in said well; releasable means cooperating between said well and stem for releasably holding said stem in a lowermost position in which the razor head is adjacent the top wall of the container in stored position; and in a raised position extended from said well substantially, in which the head is in shaving position; the said releasable means permitting withdrawal of the stem from the well entirely to permit the replacement of one razor with another; and a removable container cap for the upper end of the container and exposed safety razor

head.

2. The product of claim 1 wherein the top wall of the container is stepped to provide a recess opposite and generally vertically parallel with said well; and a dispenser nozzle having a portion extending into said lather chamber is housed in said recess so that the razor head can extend partly out over said recess and nozzle.

3. The product of claim 1 wherein the container and cap are oblong in shape and have a greater width than depth; and the well is substantially centrally disposed widthwise while being off-centrally disposed in a depthwise direction.

4. The product of claim 1 wherein said releasable means comprises stop surfaces on the interior wall of the well and the stem, the surfaces on one being vertically spaced to hold the razor in retracted and shaving positions.

5. The product of claim 4 in which said vertically spaced surfaces are on the interior wall of the well and the stem is deformable to permit movement of the razor past said vertically spaced surfaces with exertion of a force which cams the stem walls inwardly to a depressed position.

6. The product of claim 5 in which said vertically spaced surfaces comprise curvilinear projections which are seatable in a recess provided in said stem.

7. The product of claim 6 in which said stem is tubular and its walls are flexible relative to the well interior wall.

8. In a pocket size, transportable shaving device; a reusable container, defining a chamber for holding a shaving lather, which can be gripped by the hand of a shaver; and a device for dispensing lather from said container; the improvements wherein: the container has an open ended vertical well in its upper end; a disposable safety razor, comprising a stem with an overhanging head having an exposed blade, has its stem received in said well; and releasable means cooperating between said well and stem is provided for releasably holding said stem in a position partially withdrawn from the well in which the razor head is automatically located and rigidly supported in shaving position; the said releasable means permitting retraction of the stem to razor storing position and withdrawal of the stem from the well entirely to permit the replacement of one razor with another.

9. The device of claim 8 in which said releasable means comprises cam means in the well and the stem walls are deformable.

10. The device of claim 9 in which said cam means comprise projections and said stem walls have openings for receiving said projections.