



US00D703631S

(12) **United States Design Patent**
Hallar et al.

(10) **Patent No.:** **US D703,631 S**

(45) **Date of Patent:** **** Apr. 29, 2014**

(54) **ALL-IN-ONE INFORMATION HANDLING SYSTEM**

(71) Applicant: **Dell Products L.P.**, Round Rock, TX (US)

(72) Inventors: **James H Hallar**, Austin, TX (US); **Wai Lim Chan**, Singapore (SG)

(73) Assignee: **Dell Products L.P.**, Round Rock, TX (US)

(**) Term: **14 Years**

(21) Appl. No.: **29/468,397**

(22) Filed: **Sep. 30, 2013**

(51) **LOC (10) Cl.** **14-03**

(52) **U.S. Cl.**

USPC **D14/129**; D14/126

(58) **Field of Classification Search**

USPC D14/125-134, 239, 371, 136, 374-377, D14/440, 450, 448, 336, 342, 159; 312/7.2; 348/836, 838, 180, 184, 325, 739; 341/12; 248/917-924, 465; 345/104, 345/133, 156, 168, 87, 173; 720/605, 669, 720/600, 655; 369/99, 197; D21/329, 515, D21/577, 622, 333, 433, 448, 452, 450, 331, D21/505; D6/477, 479, 300; 273/148 B; 446/484, 175, 356; D10/15, 26

See application file for complete search history.

(56) **References Cited**

U.S. PATENT DOCUMENTS

4,729,533 A * 3/1988 Hillary et al. 248/184.1
6,015,120 A * 1/2000 Sweere et al. 248/123.11

D512,424 S * 12/2005 Kim D14/375
D537,079 S * 2/2007 Park D14/375
7,258,311 B2 * 8/2007 Yen et al. 248/133
D592,621 S * 5/2009 Han D14/126
D616,401 S * 5/2010 Choi D14/126
D631,042 S * 1/2011 Chen D14/337
D642,145 S * 7/2011 Kim et al. D14/126
D649,947 S * 12/2011 Won et al. D14/126
D657,791 S * 4/2012 Kim et al. D14/374
D682,797 S * 5/2013 Lee et al. D14/126
D684,944 S * 6/2013 Seong D14/126

* cited by examiner

Primary Examiner — Raphael Barkai

(74) *Attorney, Agent, or Firm* — Terrile, Cannatti, Chambers & Holland, LLP; Stephen A. Terrile

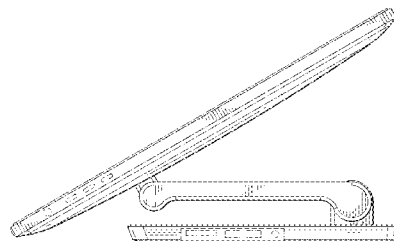
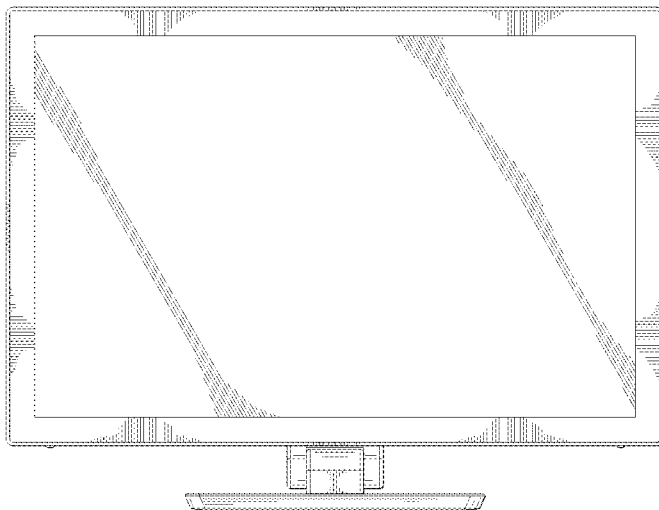
(57) **CLAIM**

We claim the ornamental design for an all-in-one information handling system, as shown and described.

DESCRIPTION

FIG. 1 is a front perspective view of the all-in-one information handling system comprising the present invention; FIG. 2 is a front view thereof; FIG. 3 is a rear view thereof; FIG. 4 is a left side view thereof; FIG. 5 is a right side view thereof; FIG. 6 is a top view thereof; FIG. 7 is a bottom view thereof; FIG. 8 is a rear perspective view thereof; FIG. 9 is another left side view thereof; and, FIG. 10 is another left side view thereof. Broken lines shown in the drawings illustrate portions of the all-in-one information handling system, and form no part of the claimed design.

1 Claim, 8 Drawing Sheets



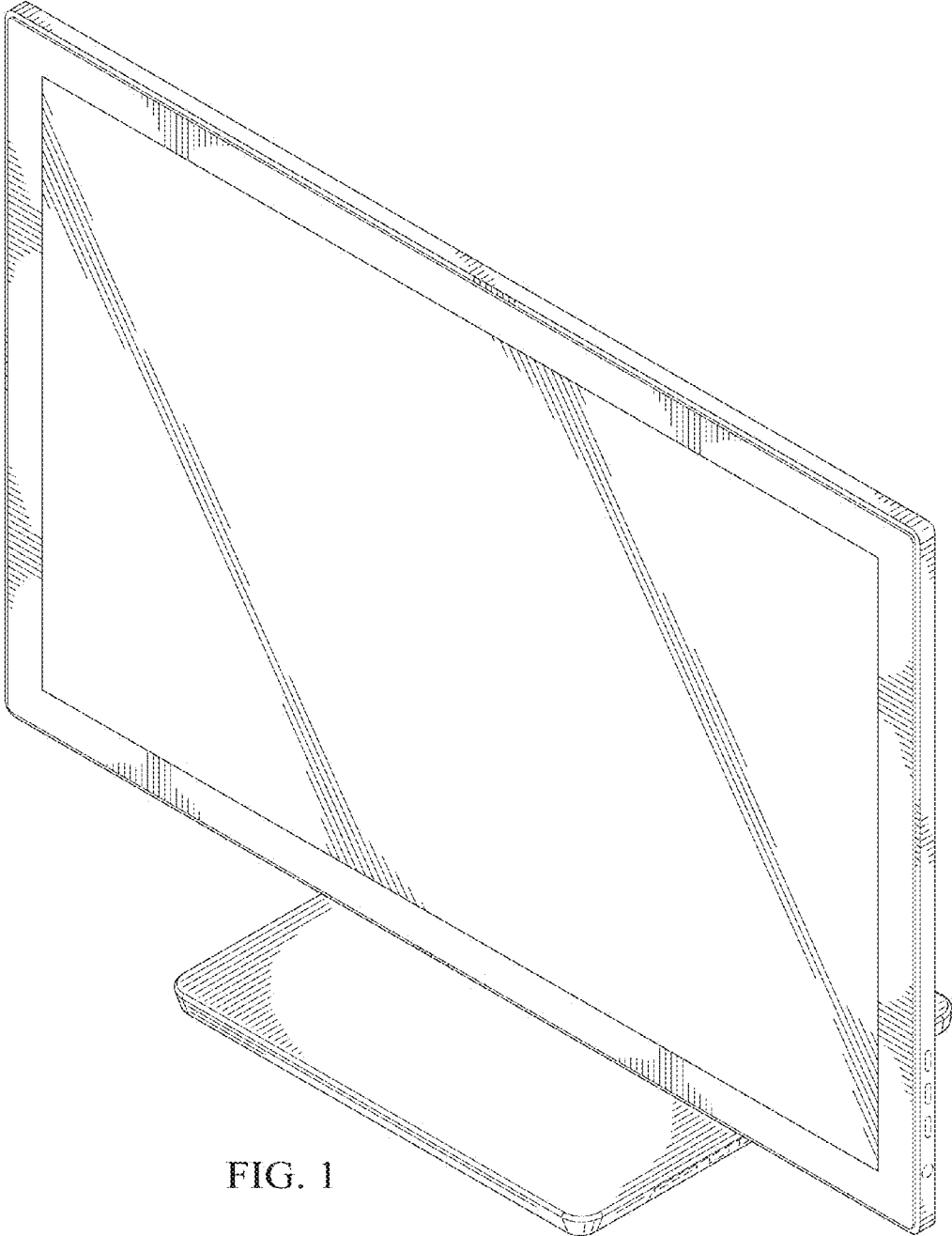


FIG. 1

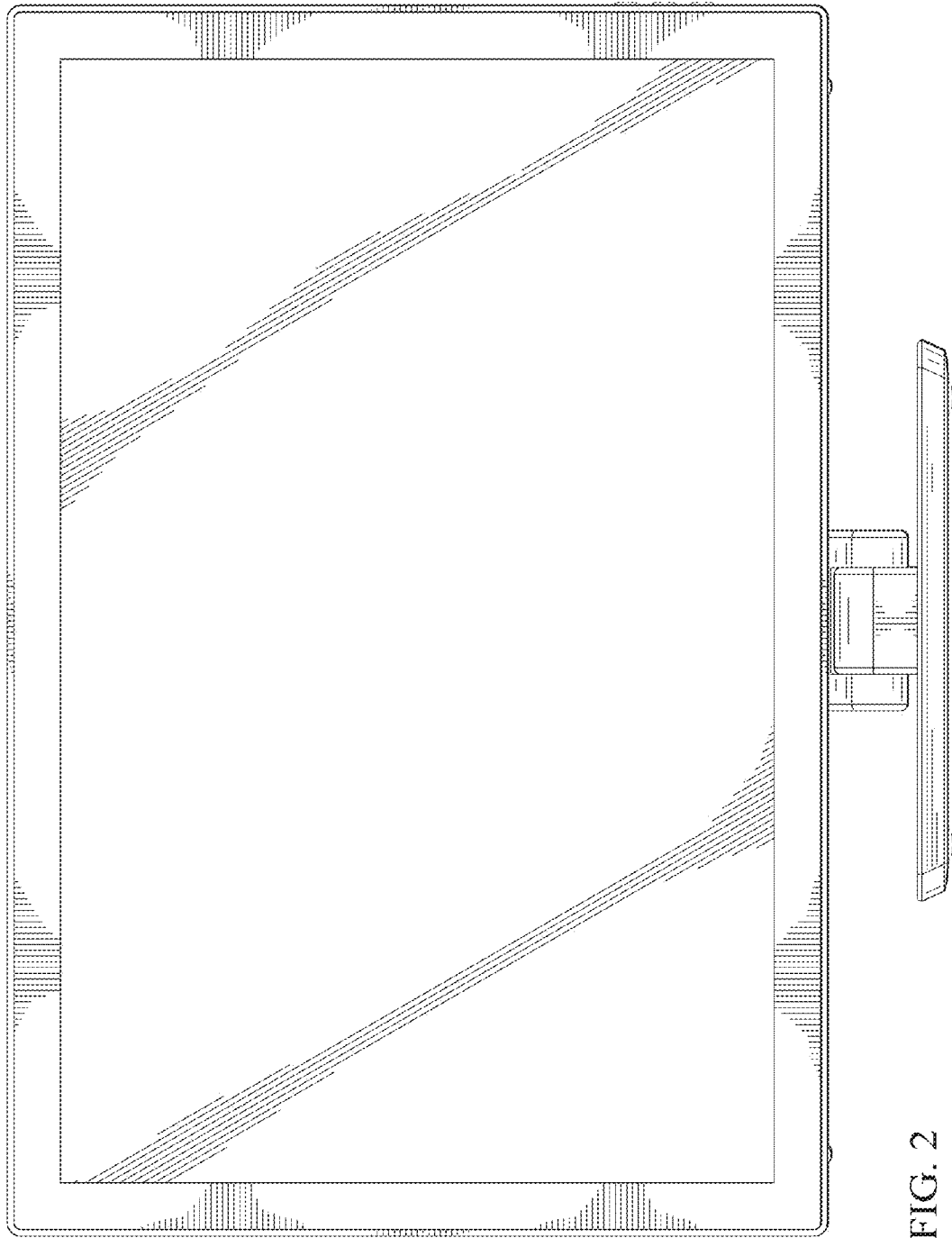
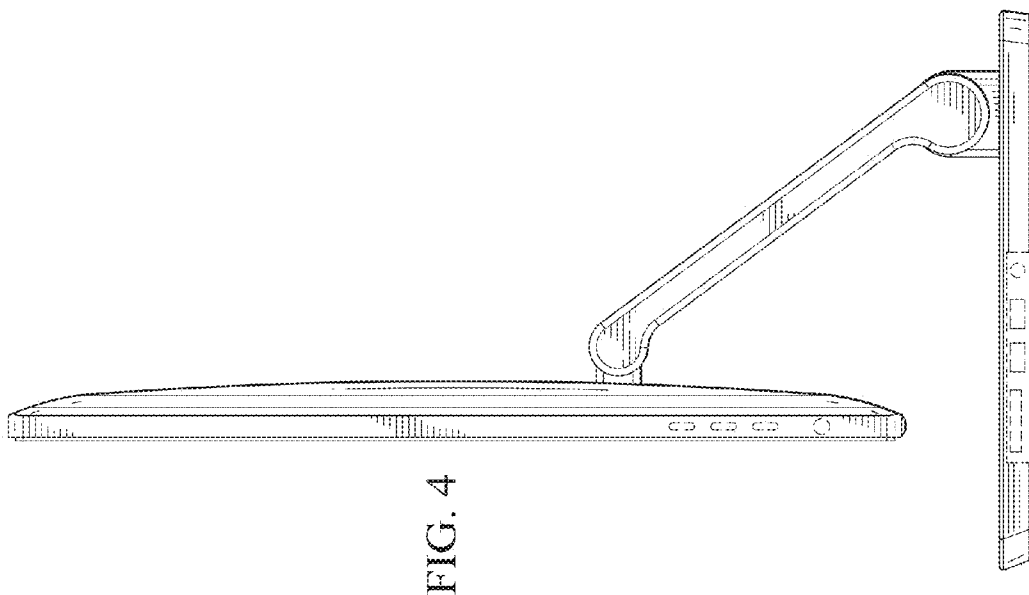
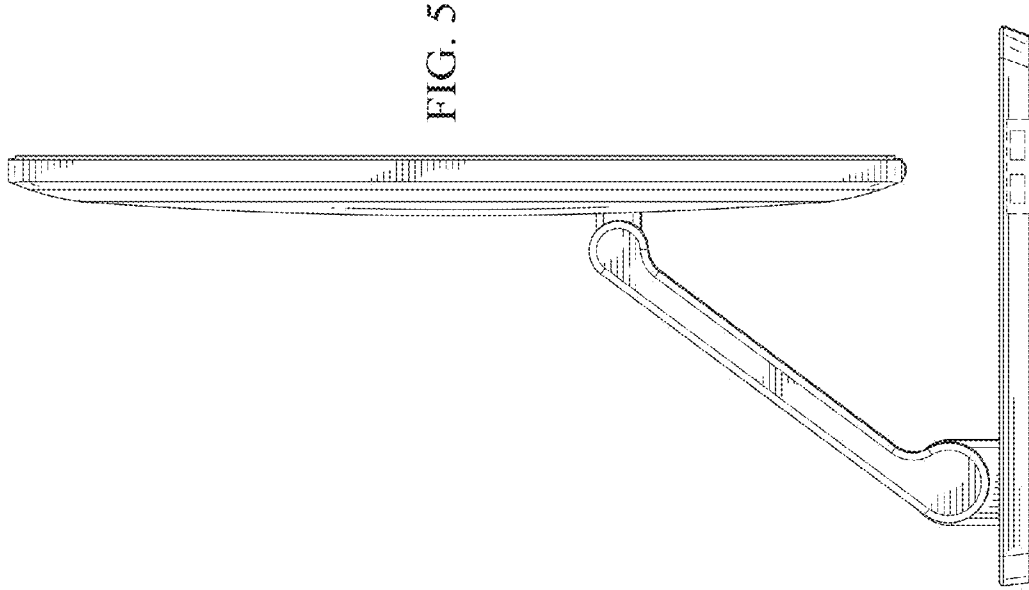


FIG. 2



FIG. 3



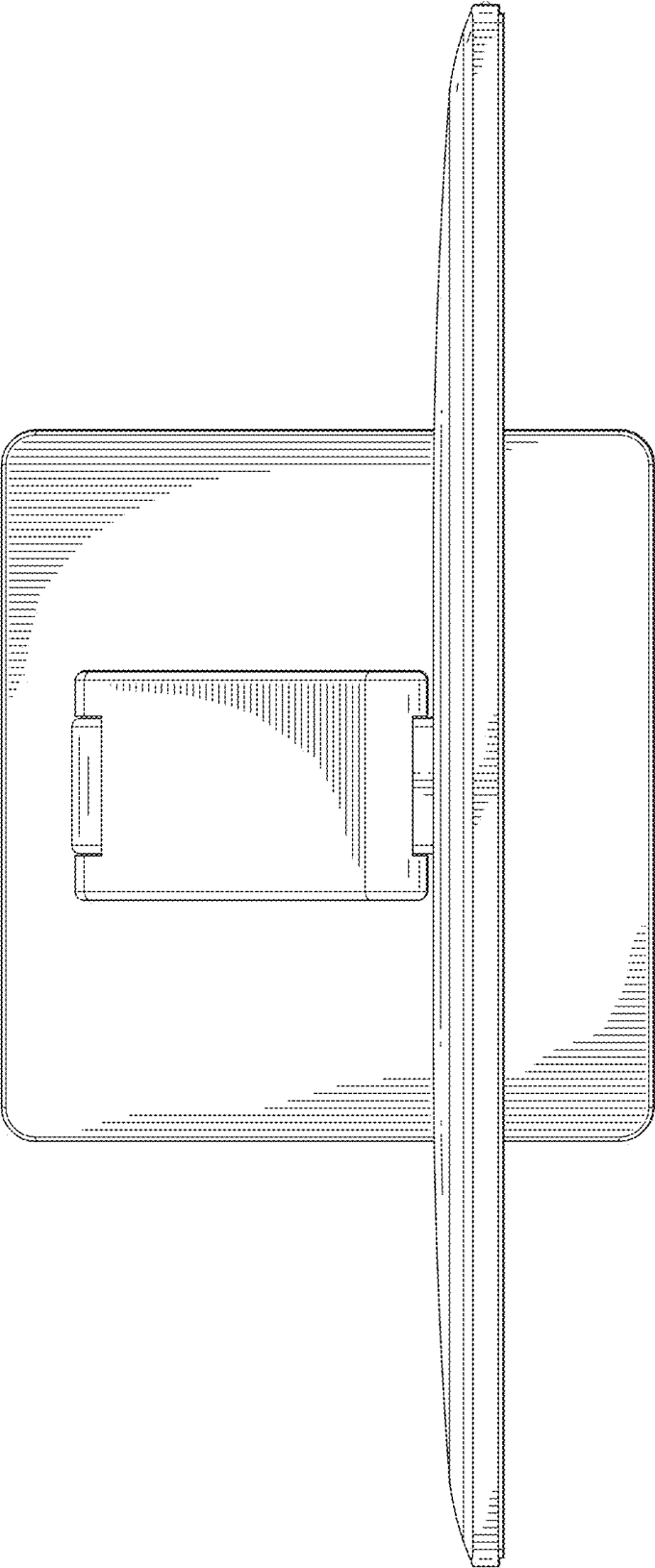


FIG. 6

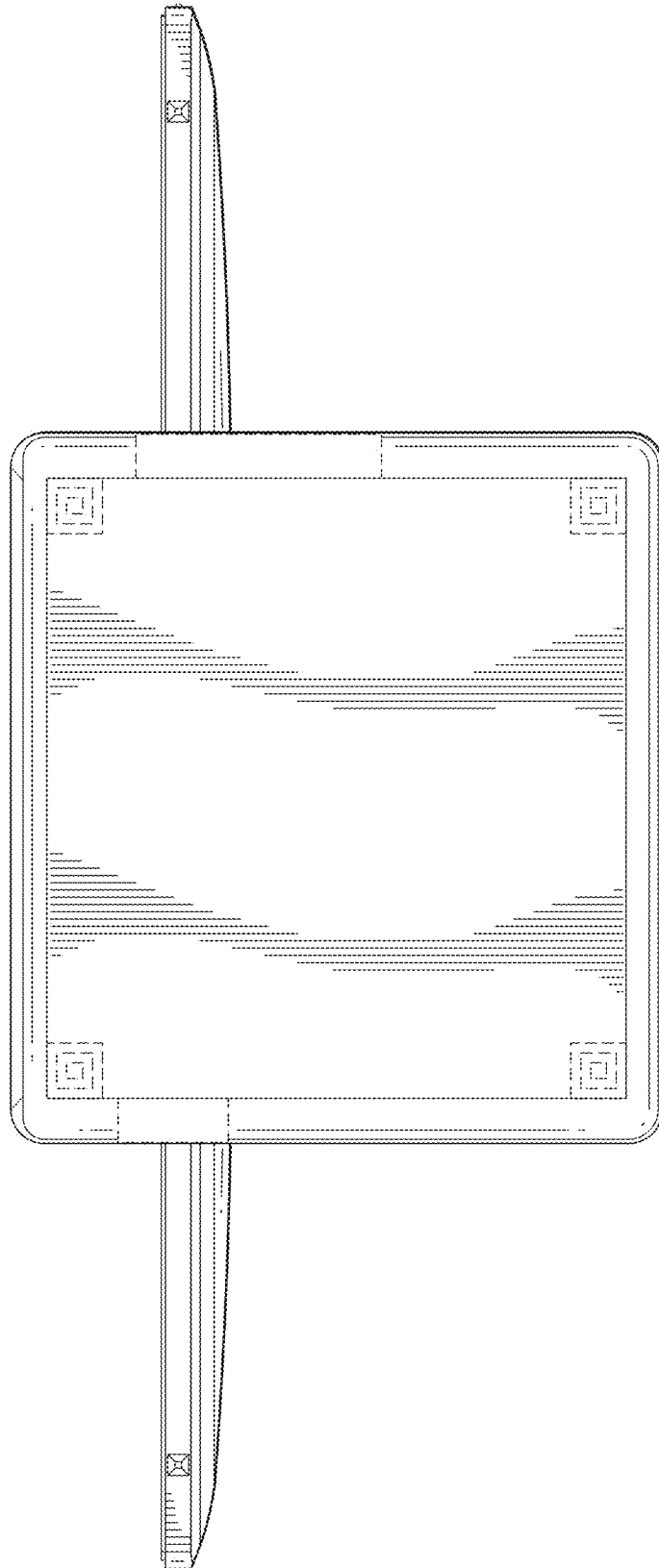


FIG. 7

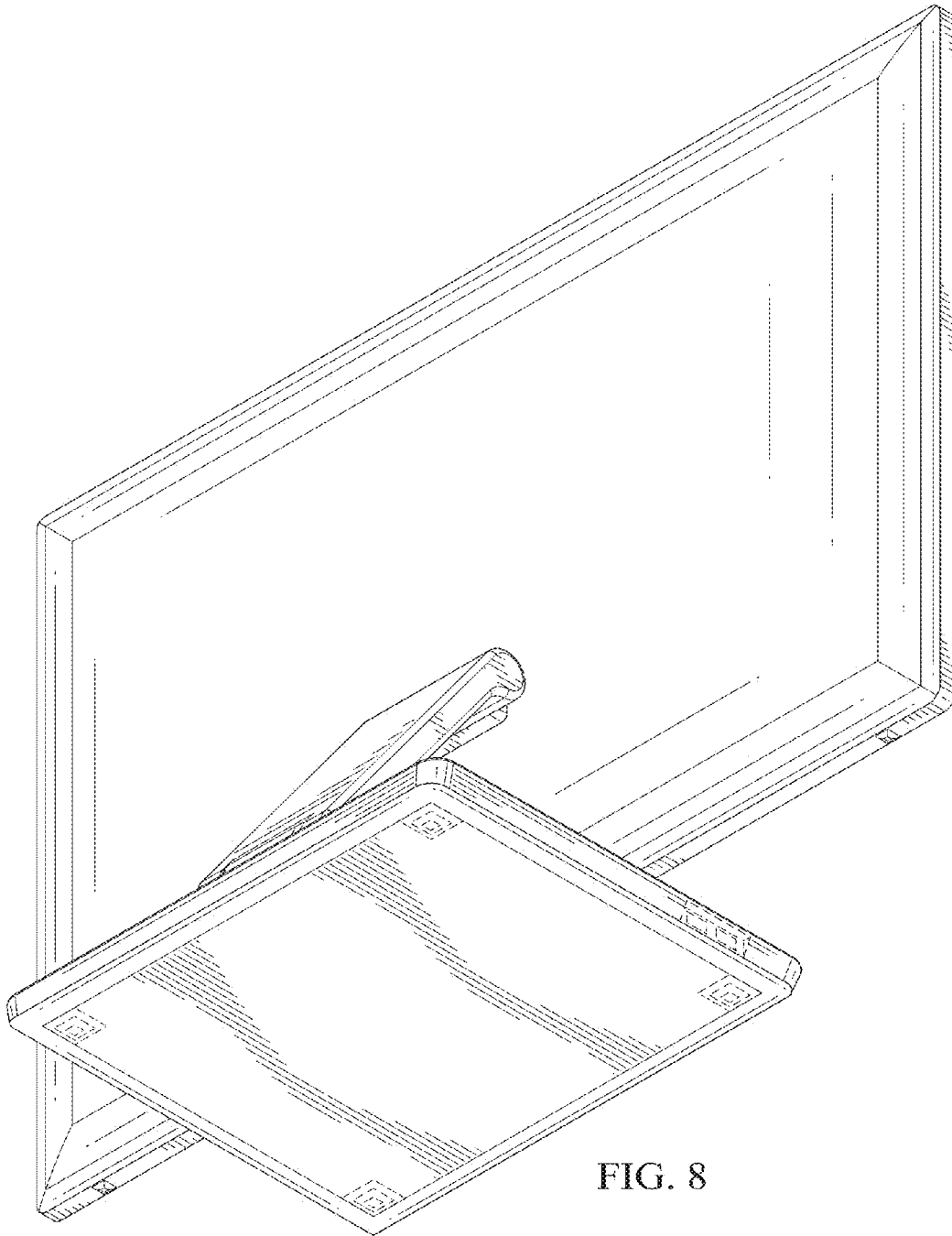


FIG. 8

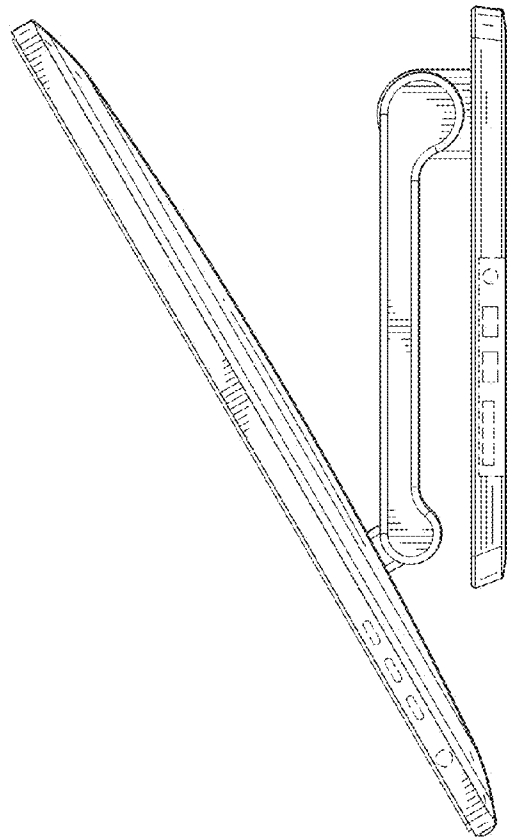


FIG. 10

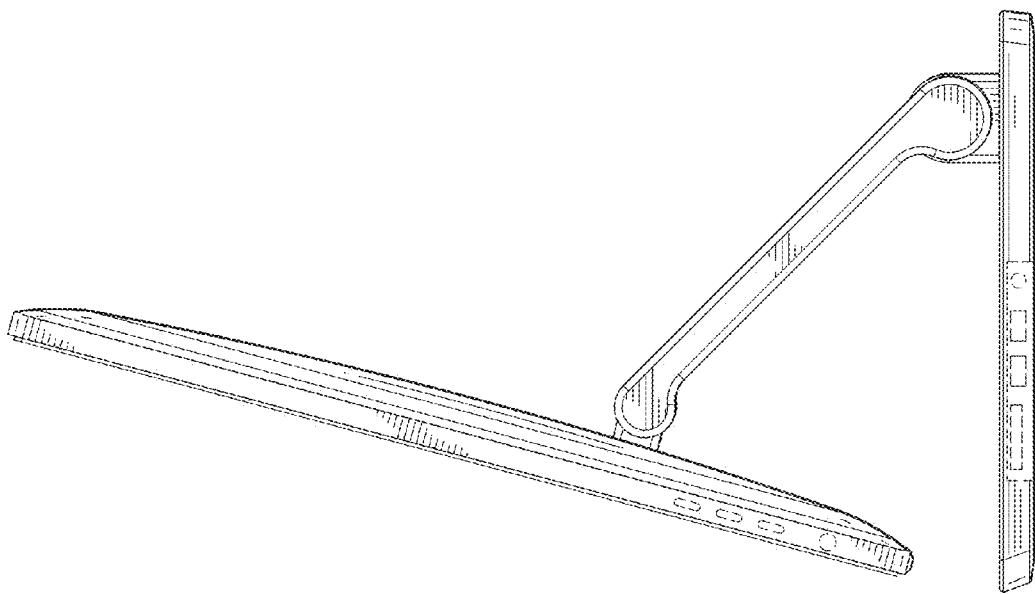


FIG. 9