



US00D525247S

(12) **United States Design Patent**
Rubin et al.

(10) **Patent No.:** **US D525,247 S**

(45) **Date of Patent:** **** Jul. 18, 2006**

- (54) **MICRO-PRO FLASH DRIVE**
- (75) Inventors: **Bennett S. Rubin**, Pepper Pike, OH (US); **Ronald Rich**, Burton, OH (US)
- (73) Assignee: **Crestwood Partners, LLC**, Mayfield Village, OH (US)
- (**) Term: **14 Years**

| | | | | | |
|-----------------|---|---------|---------------|-------|-----------|
| D480,389 S | * | 10/2003 | Schulz et al. | | D14/240 |
| D492,307 S | * | 6/2004 | Aqqad et al. | | D14/356 |
| 6,763,410 B1 | * | 7/2004 | Yu | | 710/74 |
| D500,302 S | * | 12/2004 | Deguchi | | D14/167 |
| D513,005 S | * | 12/2005 | Kobayakawa | | D14/435 |
| 2003/0223286 A1 | * | 12/2003 | Lee | | 365/200 |
| 2004/0017635 A1 | * | 1/2004 | Chang et al. | | 360/97.01 |
| 2004/0233645 A1 | * | 11/2004 | Chen | | 361/737 |

- (21) Appl. No.: **29/245,386**
- (22) Filed: **Dec. 23, 2005**

Related U.S. Application Data

- (62) Division of application No. 29/230,442, filed on May 23, 2005.
- (51) **LOC (8) Cl.** **14-02**
- (52) **U.S. Cl.** **D14/435**
- (58) **Field of Classification Search** D14/240, D14/242, 356, 433, 435-6, 474; 360/97.01; 361/685-6, 737, 752; 439/136, 141, 147, 439/638; 365/51, 63, 131; 710/52, 300
See application file for complete search history.

References Cited

- (56) **U.S. PATENT DOCUMENTS**
- D304,191 S * 10/1989 Sekine D14/192
- 5,140,108 A * 8/1992 Miyajima 174/52.1
- D372,707 S * 8/1996 Grewe et al. D14/435
- D417,869 S * 12/1999 Yasutomi D14/168
- 6,522,534 B1 * 2/2003 Wu 361/686

FOREIGN PATENT DOCUMENTS

- EP 847848 A1 * 6/1998
- WO WO 3063174 A1 * 7/2003

* cited by examiner

Primary Examiner—Robin Webster
Assistant Examiner—Karen E. Patterson
 (74) *Attorney, Agent, or Firm*—Smith, Gambrell & Russell, LLP

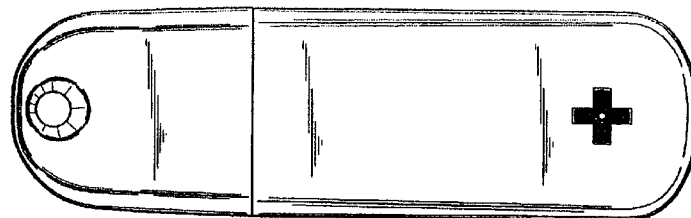
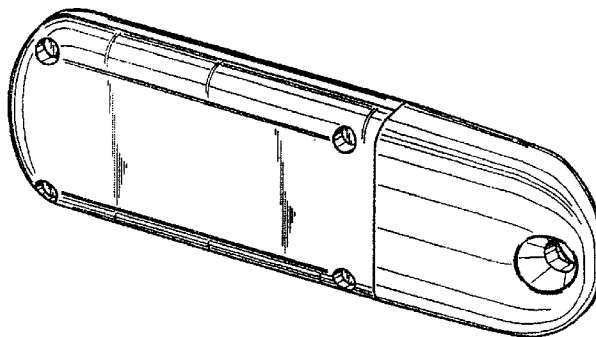
(57) **CLAIM**

The ornamental design for micro-pro flash drive, as shown and described.

DESCRIPTION

- FIG. 1 is a perspective view.
- FIG. 2 is a front view.
- FIG. 3 is a back view.
- FIG. 4 is a left side view.
- FIG. 5 is a right side view.
- FIG. 6 is a top view; and,
- FIG. 7 is a bottom view.

1 Claim, 4 Drawing Sheets



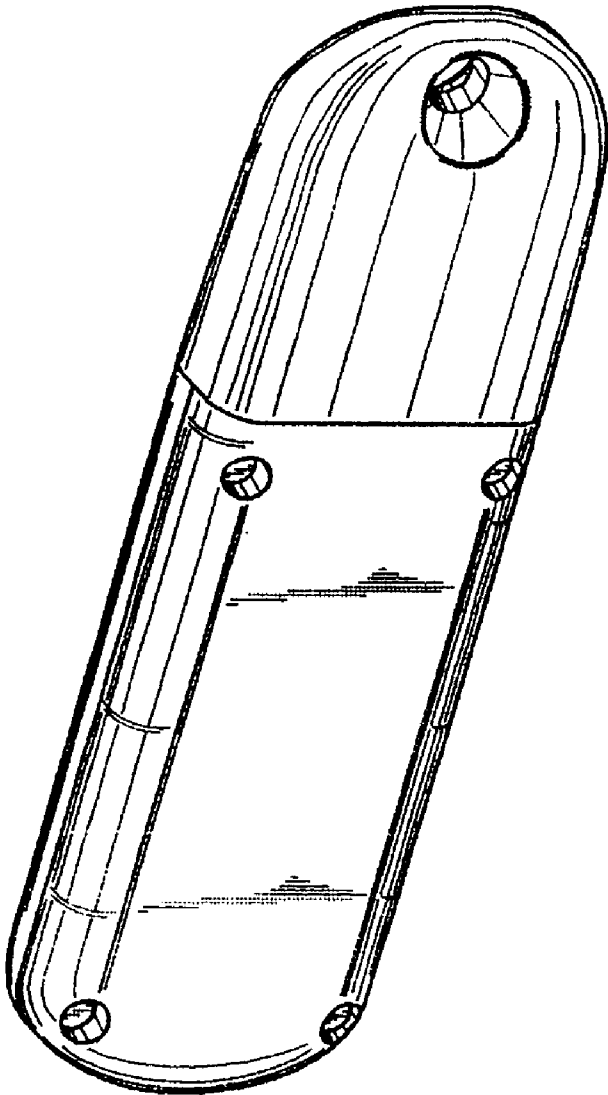


FIG. 1

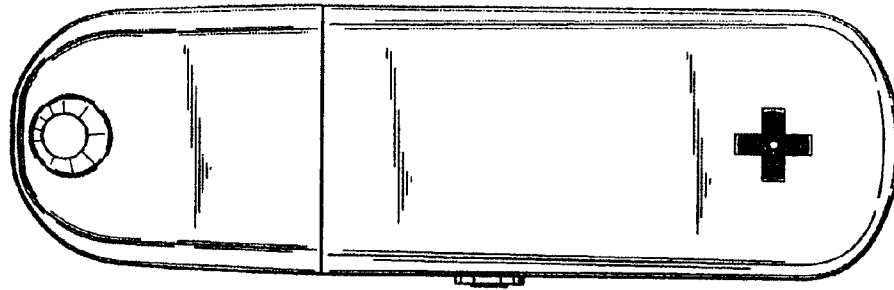


FIG. 2

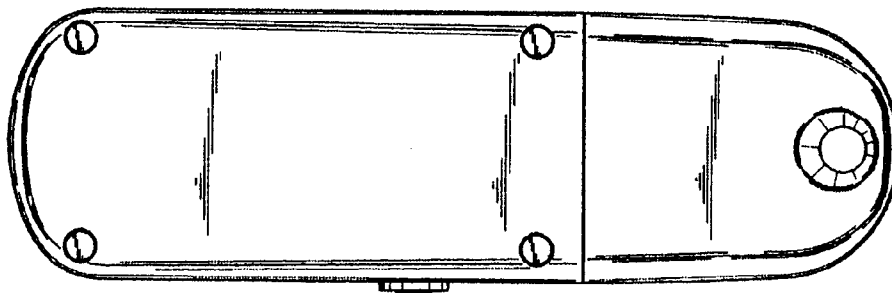


FIG. 3



FIG. 4

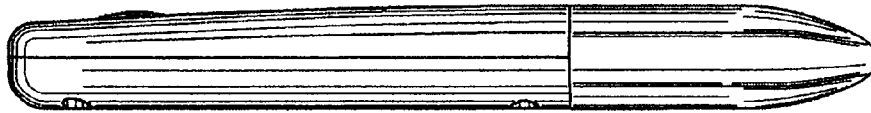


FIG. 5



FIG. 6



FIG. 7