



US00D556019S

(12) **United States Design Patent**
Symons

(10) **Patent No.:** **US D556,019 S**

(45) **Date of Patent:** **** Nov. 27, 2007**

(54) **COMBINED CABLE MANAGEMENT
DEVICE WITH SUCTION CUP
ATTACHMENT END AND BELT CLIP**

(74) *Attorney, Agent, or Firm*—Law Office of David Hong

(57) **CLAIM**

(75) Inventor: **Dominic Symons**, Pasadena, CA (US)

The ornamental design for a combined cable management device with suction cup attachment end and belt clip, as shown and described.

(73) Assignee: **Blue Lounge Design, LLC**, Pasadena, CA (US)

(**) Term: **14 Years**

DESCRIPTION

(21) Appl. No.: **29/245,939**

FIG. 1 is a perspective view of my new design for a combined cable management device with suction cup attachment end and belt clip with the belt clip portion removed for clarity of illustration;

(22) Filed: **Dec. 31, 2005**

Related U.S. Application Data

FIG. 2 is an exploded view of the complete design;

(63) Continuation-in-part of application No. 11/038,686, filed on Jan. 19, 2005, now Pat. No. 7,077,693.

FIG. 3 is a perspective view thereof with the belt clip portion joined with the cable management portion;

(51) **LOC (8) Cl.** **08-05**

FIG. 4 is a front plan view of the cable management portion;

(52) **U.S. Cl.** **D8/356**; D8/395

FIG. 5 is a rear plan view of the cable management portion;

(58) **Field of Classification Search** D8/382,
D8/356, 354, 349, 105, 395, 394; 242/916,
242/600, 405.2, 405.1, 400.1, 177, 160.3,
242/159, 118; 439/501; 24/561; 248/214,
248/229.26, 316.7

FIG. 6 is a perspective view of the rear of the cable management portion;

See application file for complete search history.

FIG. 7 is a right side view of the cable management portion;

FIG. 8 is a left side view of the cable management portion;

FIG. 9 is a top plan view of the cable management portion;

FIG. 10 is a bottom plan view of the cable management portion;

FIG. 11 is a perspective view of the front of the belt clip portion;

FIG. 12 is a front plan view of the belt clip portion;

FIG. 13 is a perspective view of the rear of the belt clip portion;

FIG. 14 is a rear plan view of the belt clip portion;

FIG. 15 is a right side view of the belt clip portion, the left side view being a mirror image thereof;

FIG. 16 is a top plan view of the belt clip portion; and,

FIG. 17 is a bottom plan view of the belt clip portion.

References Cited

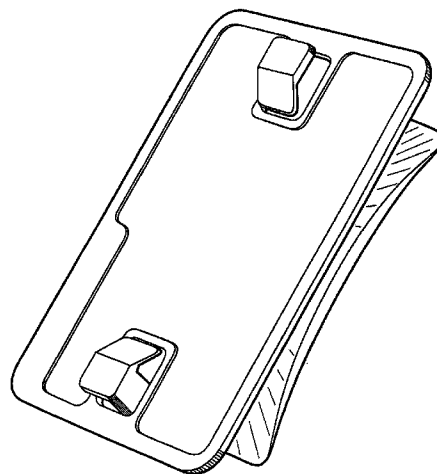
U.S. PATENT DOCUMENTS

- D140,381 S * 2/1945 Anderson D8/356
- D265,381 S * 7/1982 Borja D8/356
- D378,018 S * 2/1997 Ouellette D3/215
- D456,240 S * 4/2002 Liao D8/356
- 6,942,173 B1 * 9/2005 Abramov 242/400.1
- D530,192 S * 10/2006 Becerra D8/395
- D531,012 S * 10/2006 Shih D8/373
- D539,528 S * 4/2007 Hastings D3/215
- 2006/0144987 A1 * 7/2006 Clark 242/400.1

* cited by examiner

Primary Examiner—Robert M. Spear
Assistant Examiner—Susan Bennett Hattan

1 Claim, 17 Drawing Sheets



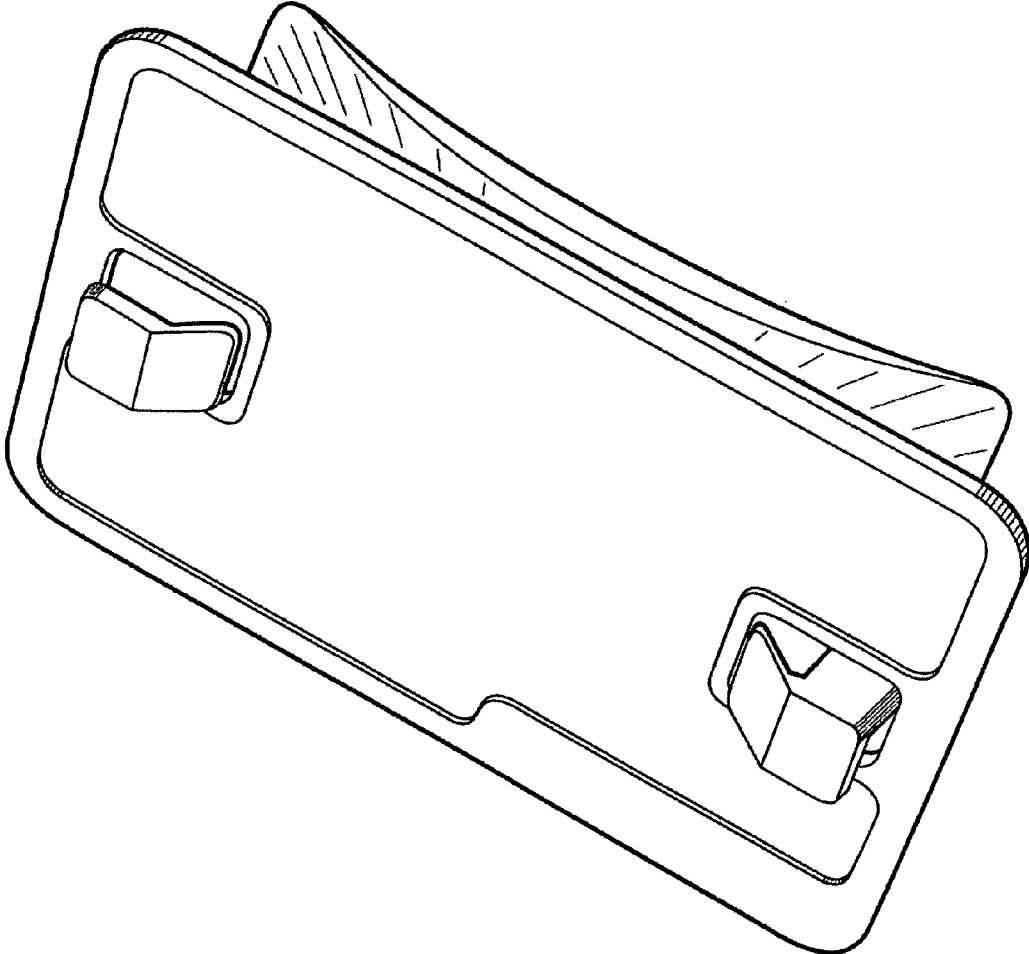


FIG. 1

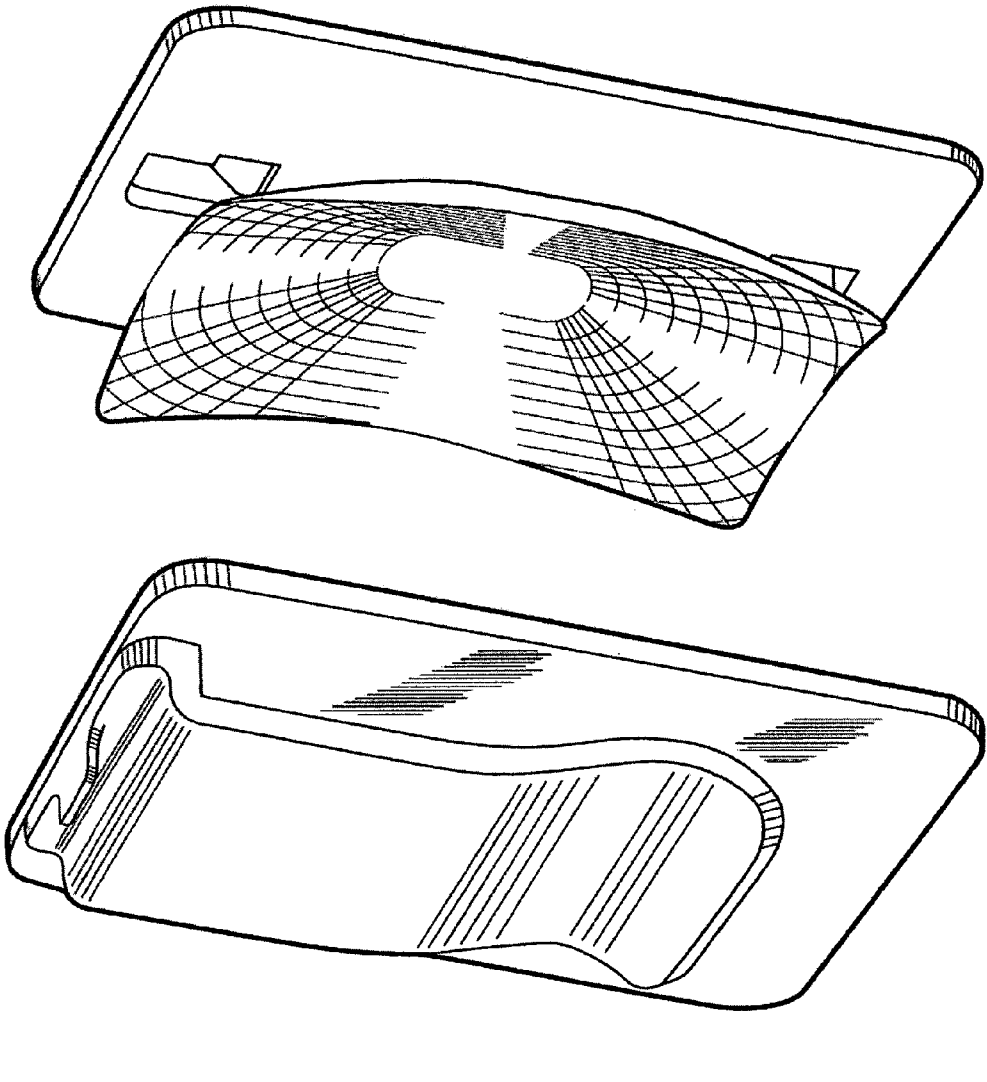


FIG. 2

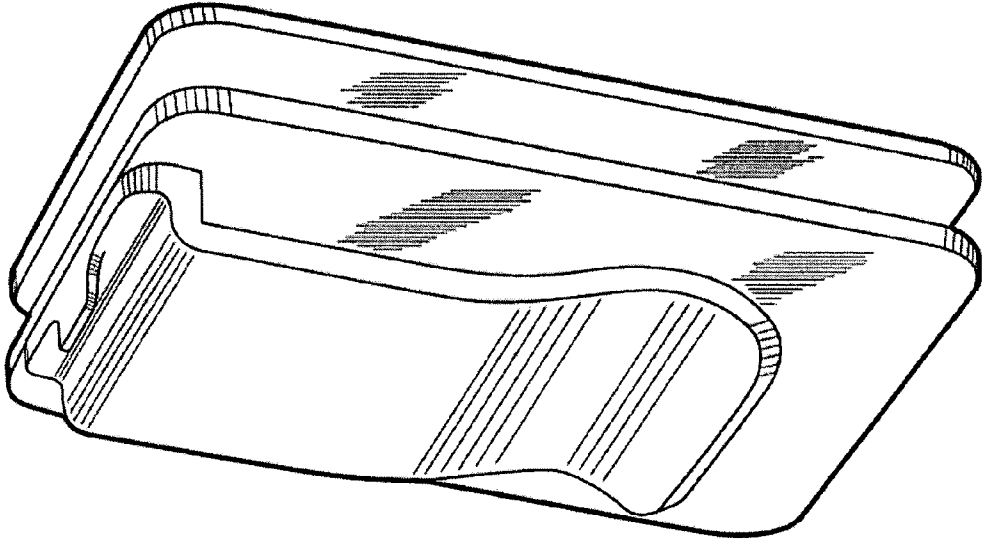


FIG. 3

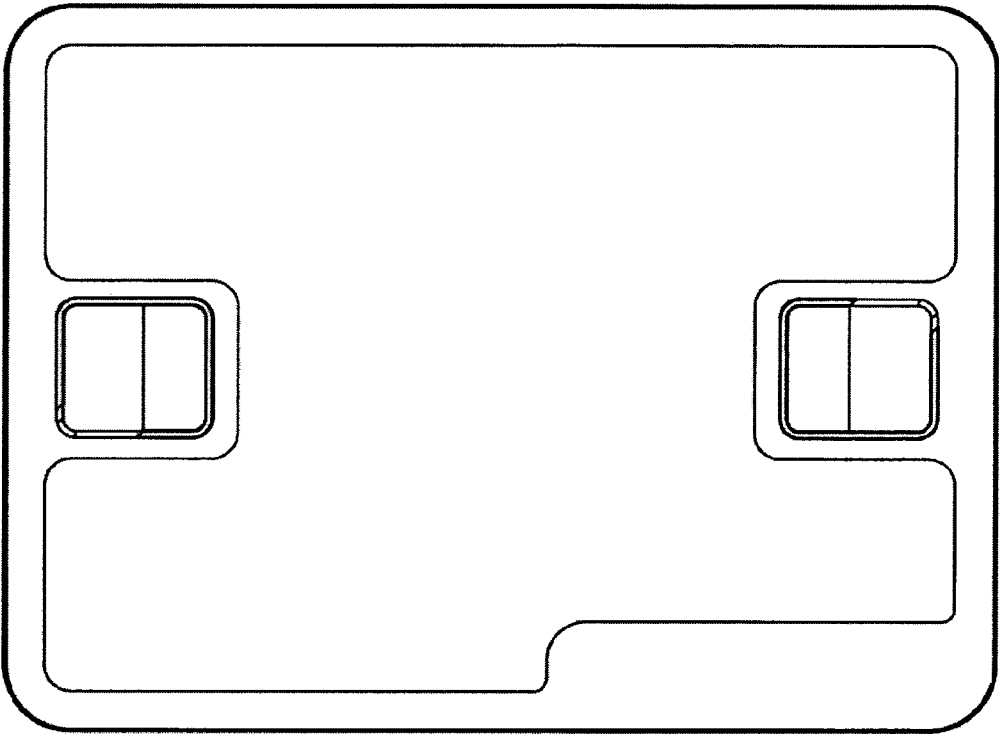


FIG. 4

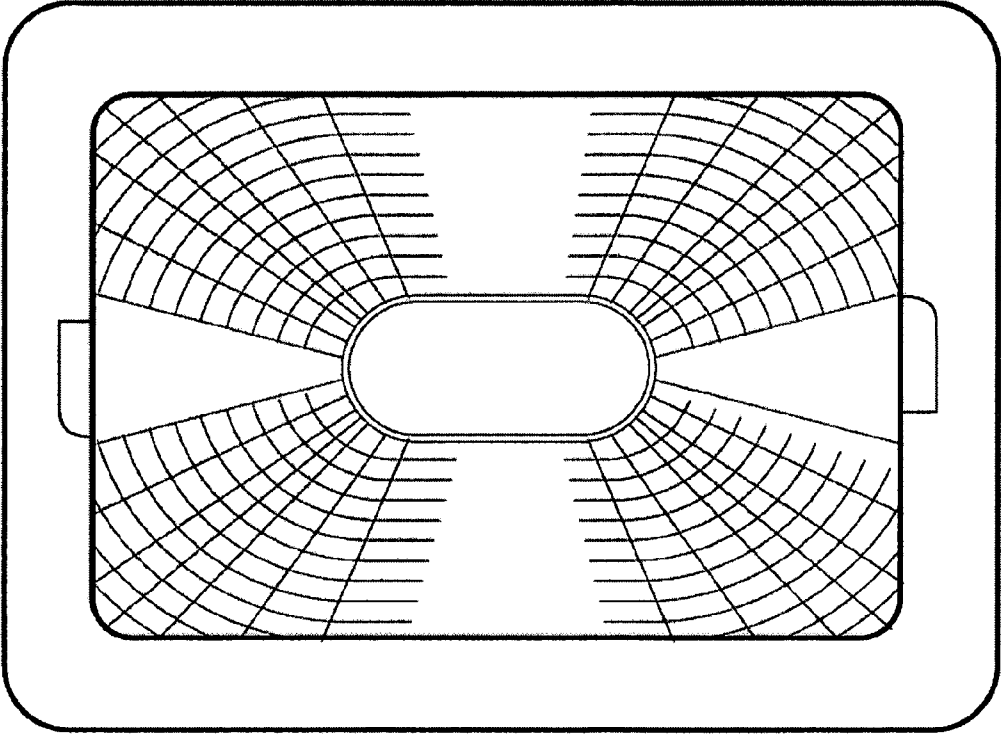


FIG. 5

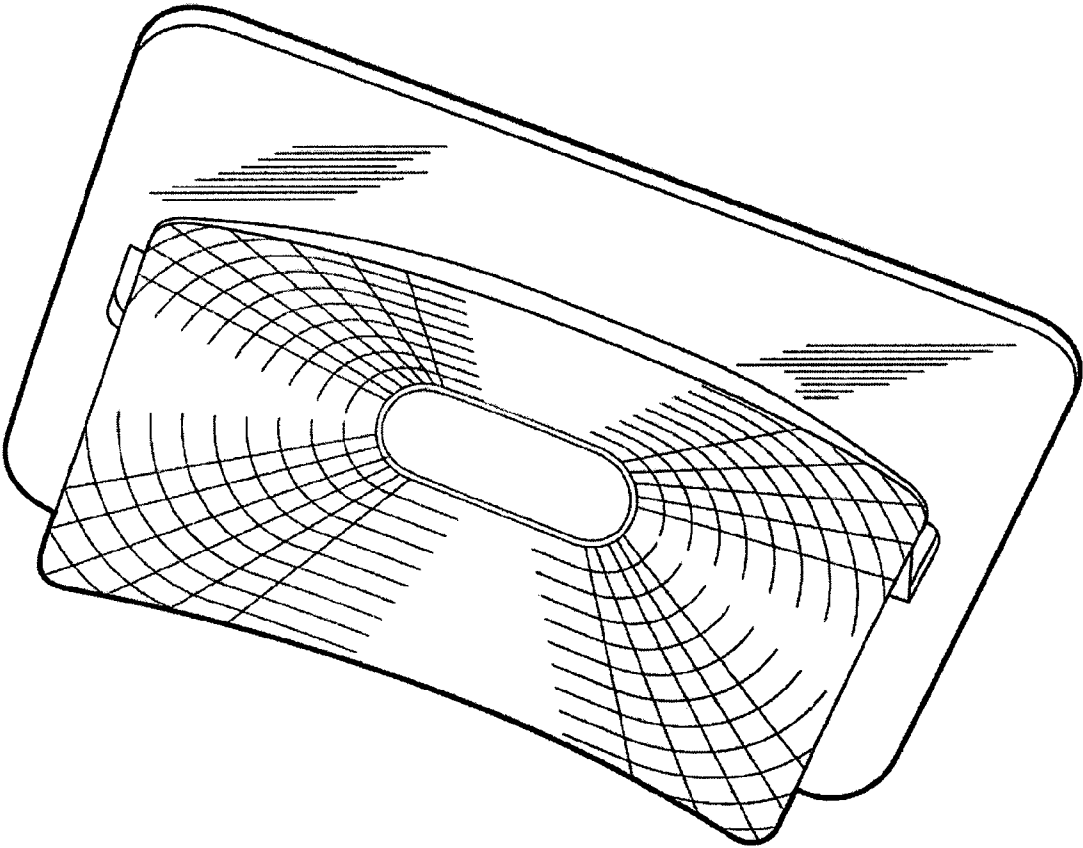


FIG. 6

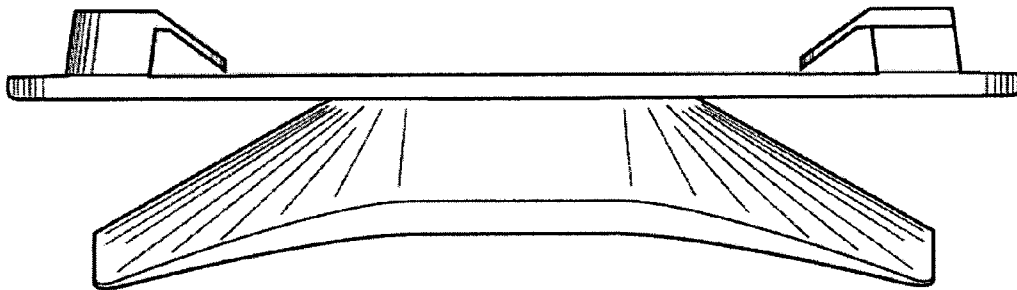


FIG. 7

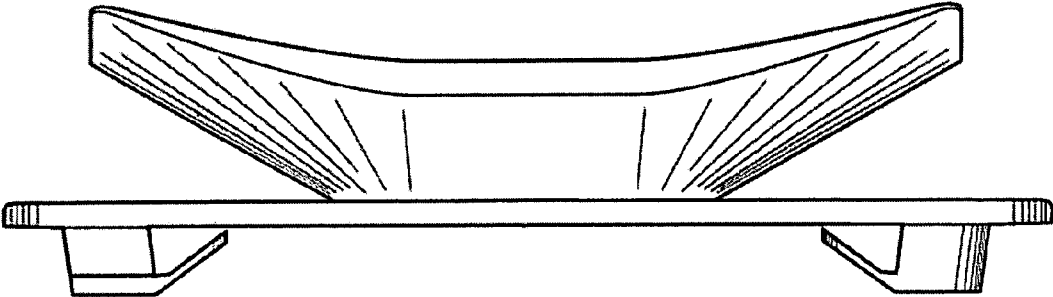


FIG. 8

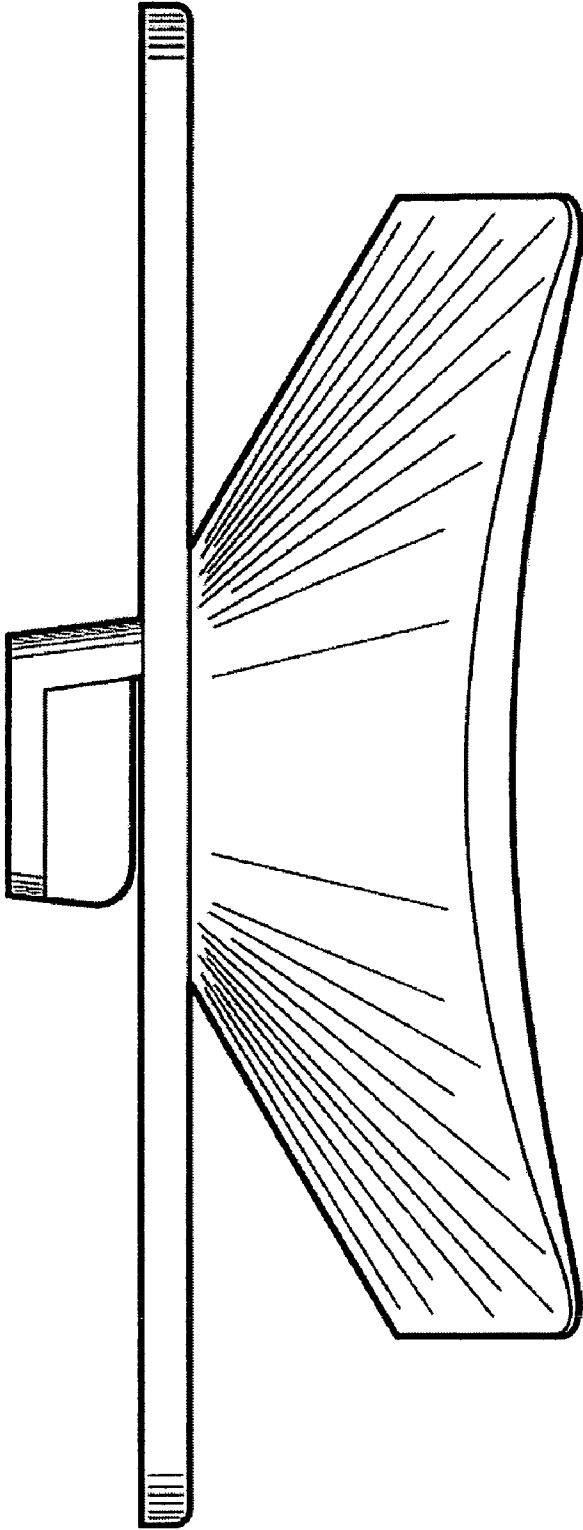


FIG. 9

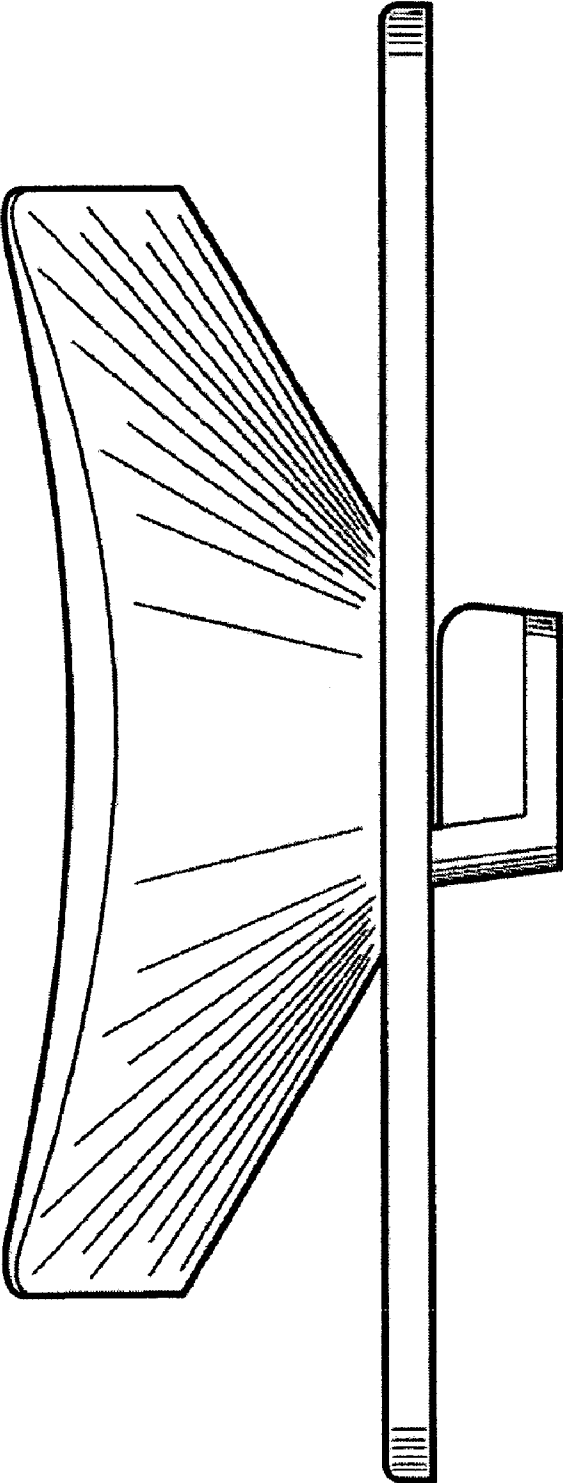


FIG. 10

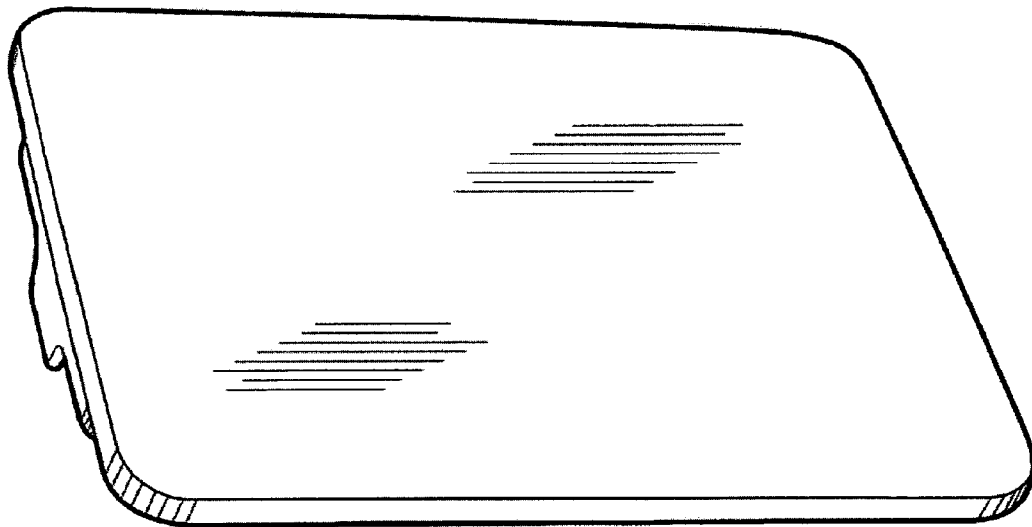


FIG. 11

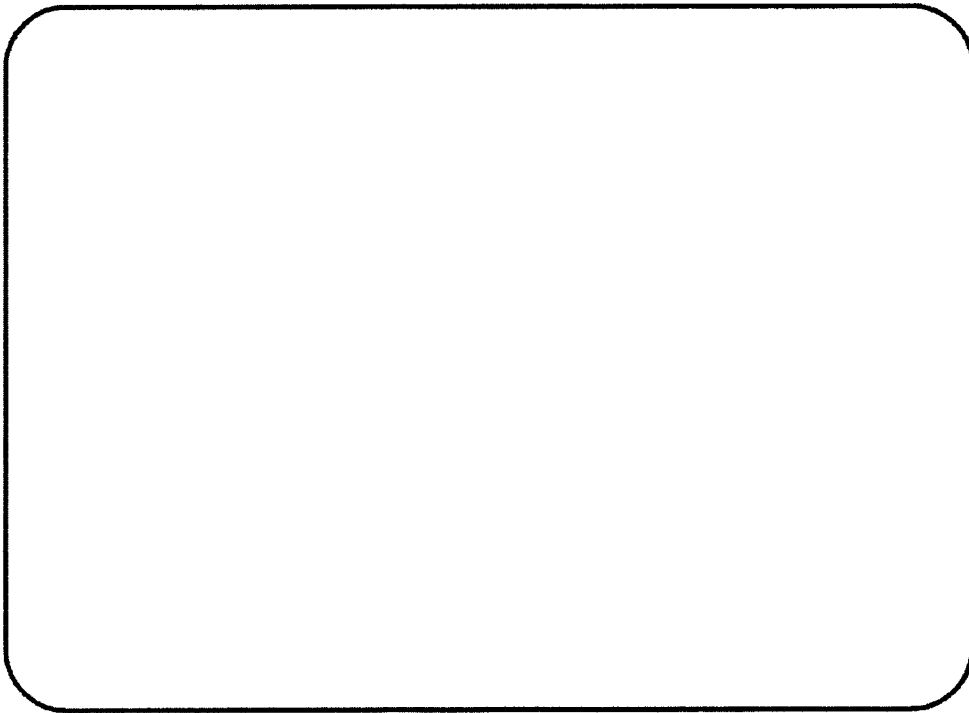


FIG. 12

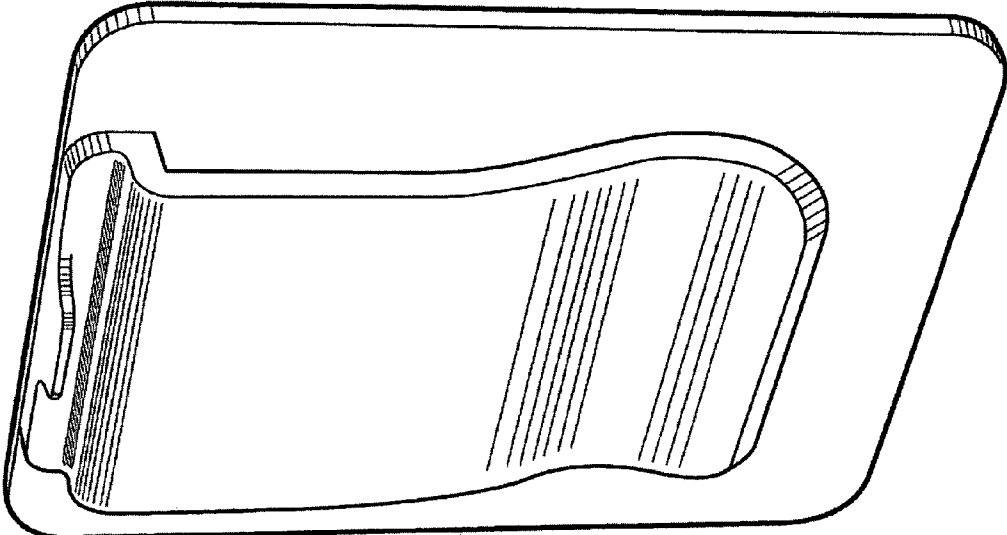


FIG. 13

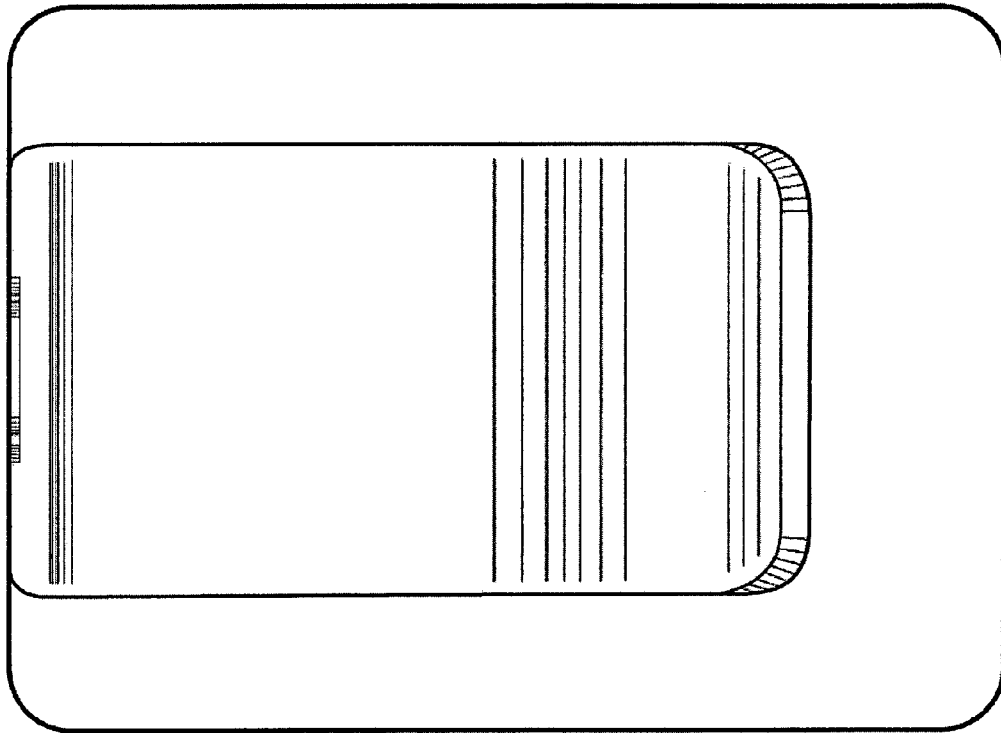


FIG. 14

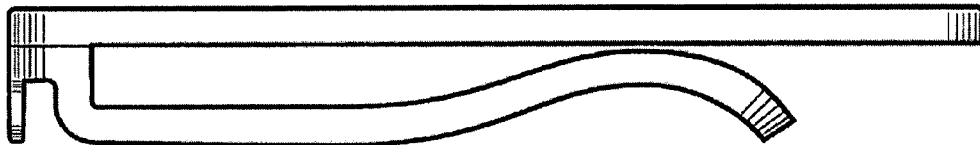


FIG. 15

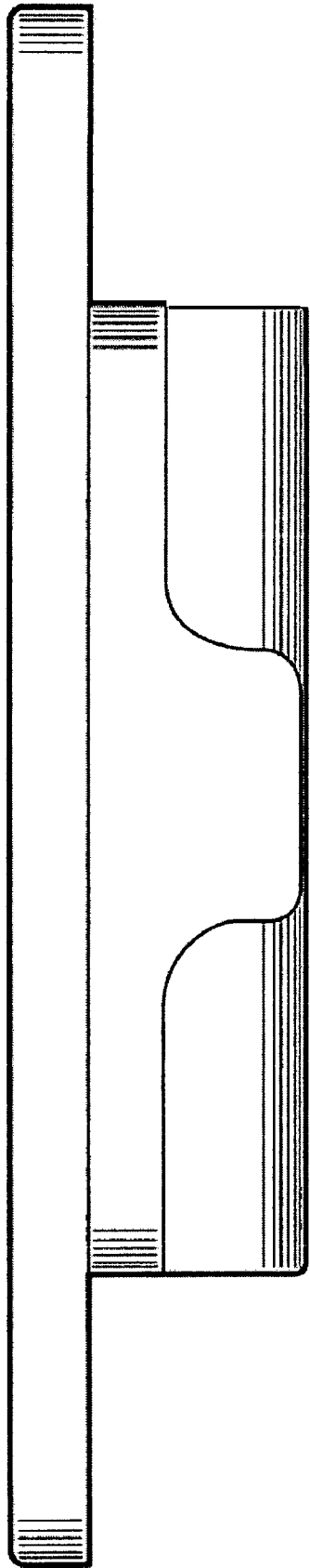


FIG. 16

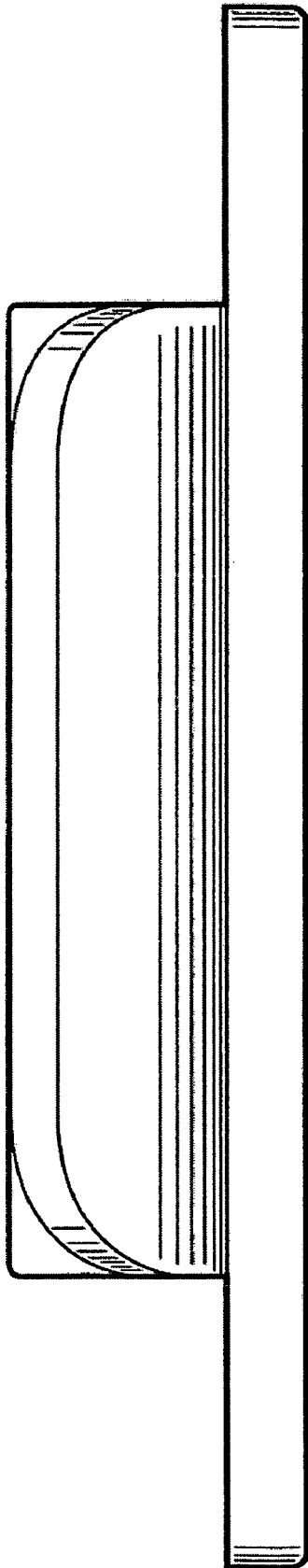


FIG. 17