



US00D585378S

(12) **United States Design Patent**  
**Haber**

(10) **Patent No.:** **US D585,378 S**

(45) **Date of Patent:** **\*\* Jan. 27, 2009**

(54) **PLUG**

(75) Inventor: **Joseph Haber**, Brooklyn, NY (US)

(73) Assignee: **NCC NY, LLC**, New York, NY (US)

(\*\*) Term: **14 Years**

(21) Appl. No.: **29/281,818**

(22) Filed: **Jul. 3, 2007**

(51) **LOC (9) Cl.** ..... **13-03**

(52) **U.S. Cl.** ..... **D13/138.2**

(58) **Field of Classification Search** ..... D13/107-110,  
D13/118-119, 137.1-139.8, 184; D14/251,  
D14/253, 432, 434; 320/107-115; 307/64,  
307/85, 150, 151; 363/143, 146; 439/152-160,  
439/484, 692, 694

See application file for complete search history.

(56) **References Cited**

**U.S. PATENT DOCUMENTS**

D165,991 S \* 2/1952 Ludwig ..... D13/138.1  
D345,342 S \* 3/1994 Fox ..... D13/138.1  
D355,160 S \* 2/1995 Velasco ..... D13/138.2

D447,118 S \* 8/2001 Lee ..... D13/138.2  
D519,079 S \* 4/2006 Suckle ..... D13/138.1  
D535,947 S \* 1/2007 Suckle et al. .... D13/138.2  
7,311,558 B2 \* 12/2007 Adams et al. .... 439/680

\* cited by examiner

*Primary Examiner*—Cathron C Brooks  
*Assistant Examiner*—Rosemary K Tarcza

(57) **CLAIM**

The ornamental design for a plug, as shown and described.

**DESCRIPTION**

FIG. 1 is a front right perspective view of a plug showing my new design;

FIG. 2 is a front elevational view thereof;

FIG. 3 is a rear elevational view thereof;

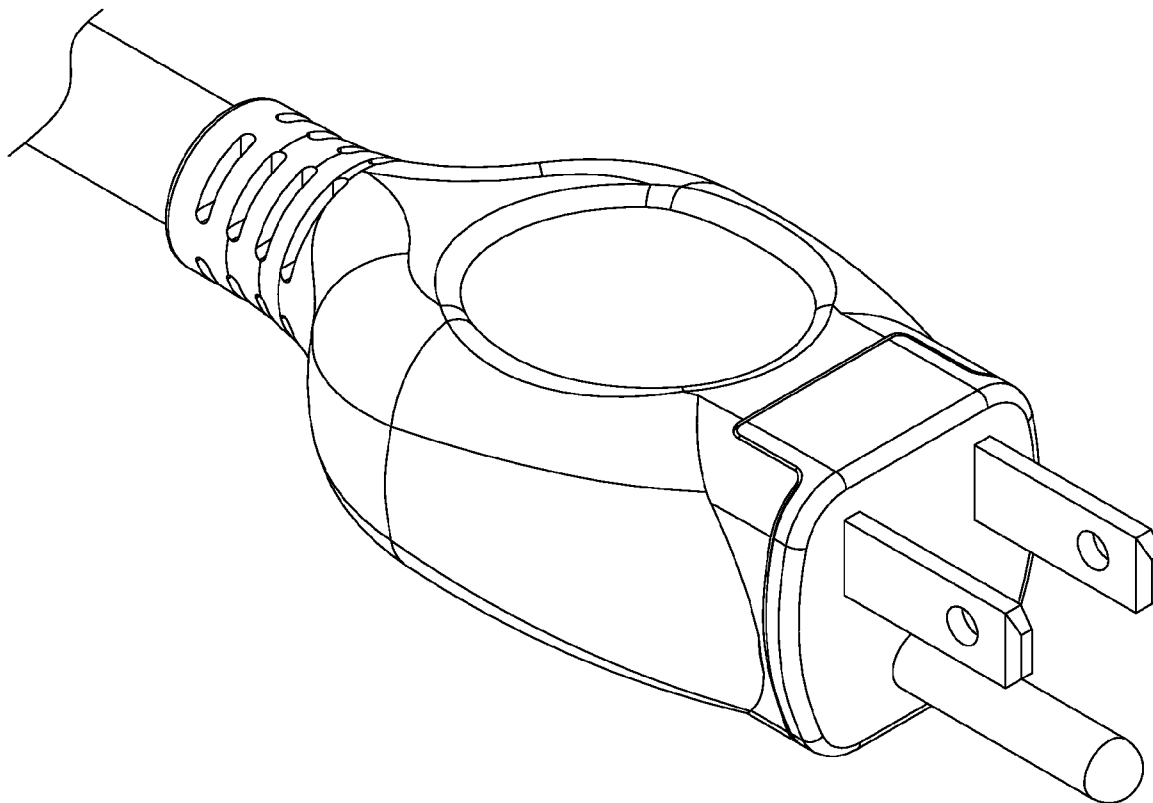
FIG. 4 is a left side elevation view thereof;

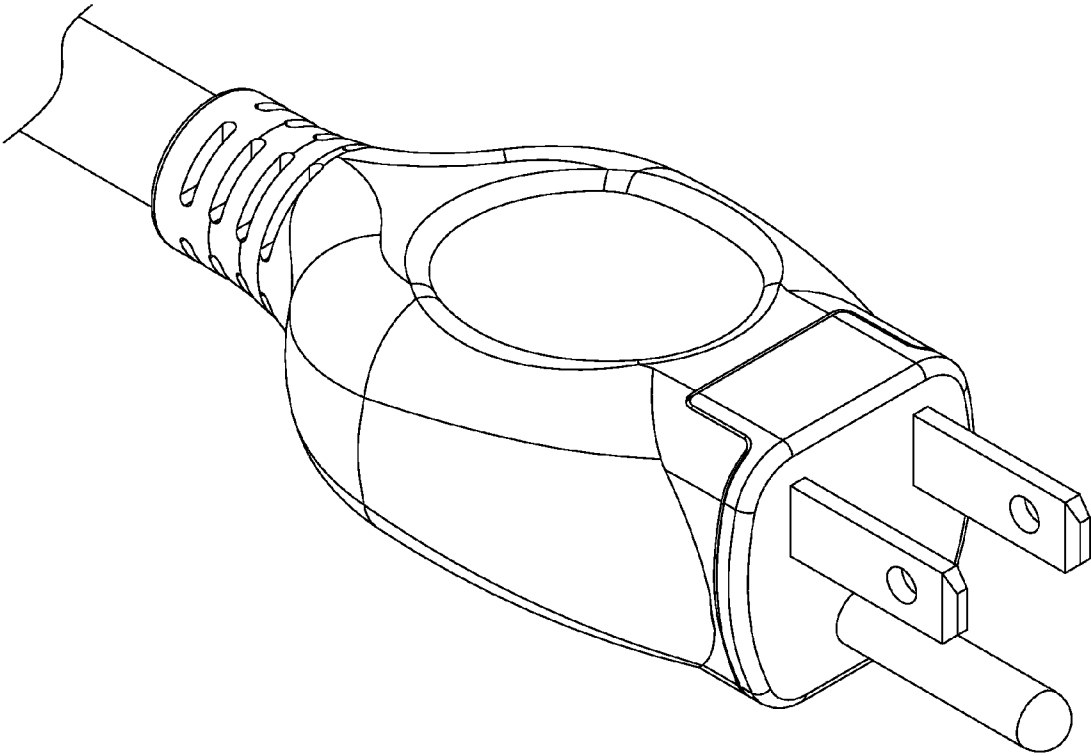
FIG. 5 is a right side elevation view thereof;

FIG. 6 is a top plan view thereof; and,

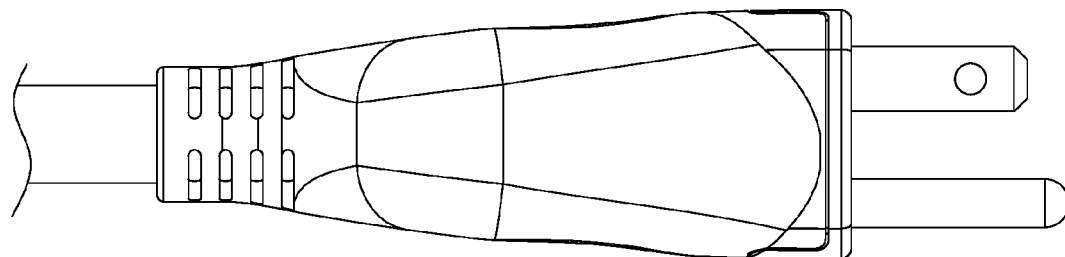
FIG. 7 is a bottom plan view thereof.

**1 Claim, 4 Drawing Sheets**

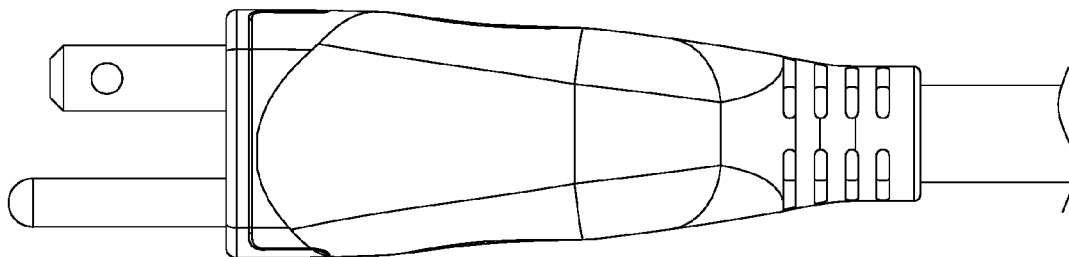




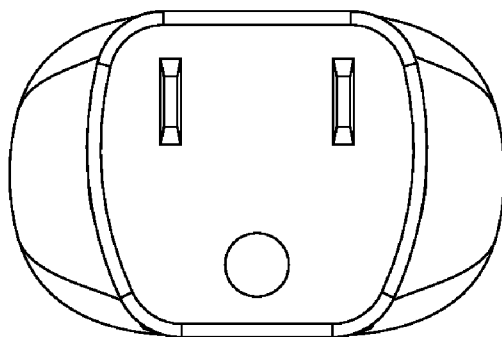
*FIG. 1*



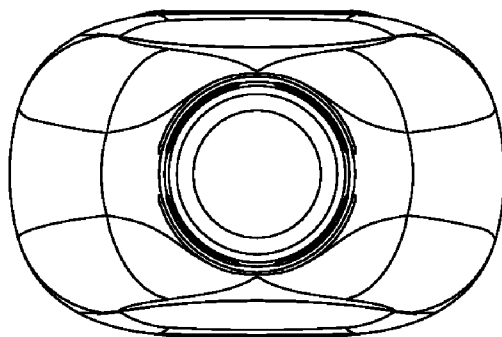
*FIG. 2*



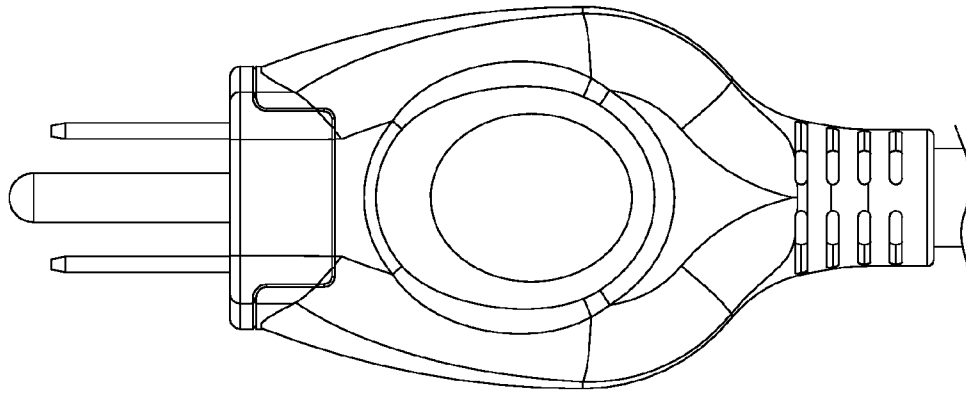
*FIG. 3*



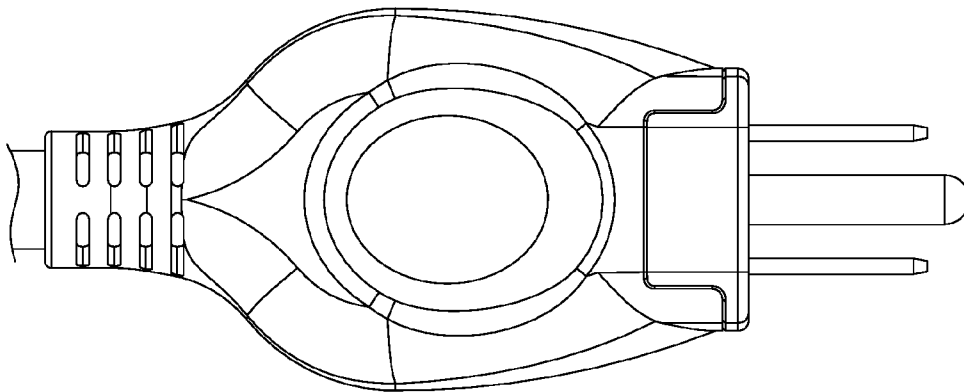
*FIG. 4*



*FIG. 5*



*FIG. 7*



*FIG. 6*