



US00D352588S

United States Patent [19]

[11] Patent Number: **Des. 352,588**

Orphan

[45] Date of Patent: **** Nov. 15, 1994**

[54] **SHOPPING CART ATTACHMENT**

[76] Inventor: **John T. Orphan**, 404 N. Barryknoll St., Anaheim, Calif. 92807

[**] Term: **14 Years**

[21] Appl. No.: **3,398**

[22] Filed: **Jan. 8, 1993**

[52] U.S. Cl. **D34/27**

[58] Field of Search 280/33.991, 33.992; 224/277, 273; D34/27, 17, 18, 19, 20, 21

[56] **References Cited**

U.S. PATENT DOCUMENTS

D. 284,610	7/1986	Harris et al.	D34/27
D. 321,577	11/1991	Ellis et al.	D34/27
2,864,189	12/1958	Campbell	280/33.992
2,888,761	6/1959	Miller	D34/27
3,539,204	11/1970	Keller	280/33.992
3,993,319	11/1976	Day	280/33.992
4,274,567	6/1981	Sawyer	280/33.992
4,742,943	5/1988	Trubiano	244/277

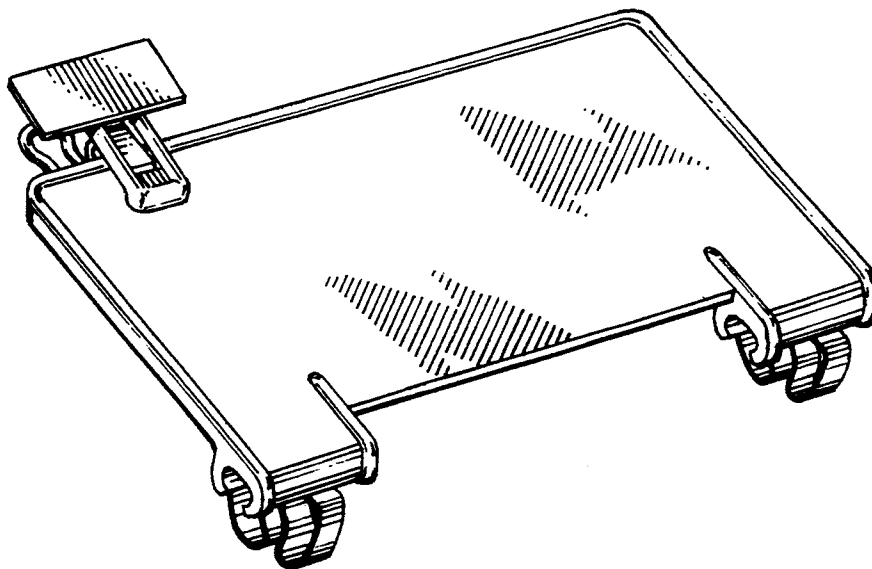
Primary Examiner—Kay H. Chin
Attorney, Agent, or Firm—G. Donald Weber, Jr.

[57] **CLAIM**

The ornamental design for a shopping cart attachment, as shown and described.

DESCRIPTION

FIG. 1 is an isometric view of the shopping cart attachment of the instant invention;
FIG. 2 is a top plan view of the shopping cart attachment of the instant invention;
FIG. 3 is a bottom plan view of the shopping cart attachment of the instant invention;
FIG. 4 is a front elevational view of the shopping cart attachment of the instant invention;
FIG. 5 is a rear elevational view of the shopping cart attachment of the instant invention;
FIG. 6 is one side view of the shopping cart attachment of the instant invention; and,
FIG. 7 is the other side view of the shopping cart attachment of the instant invention.



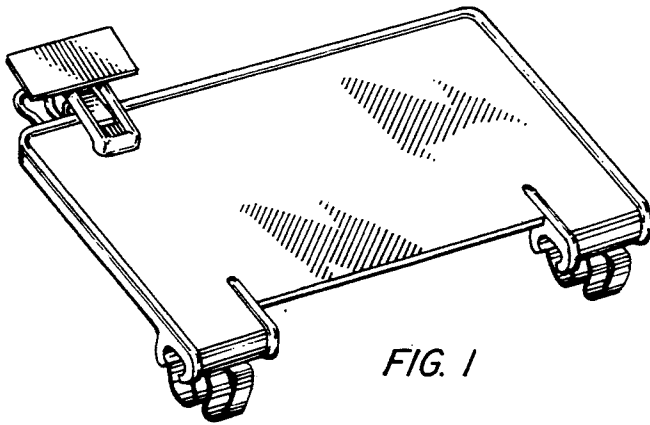


FIG. 1

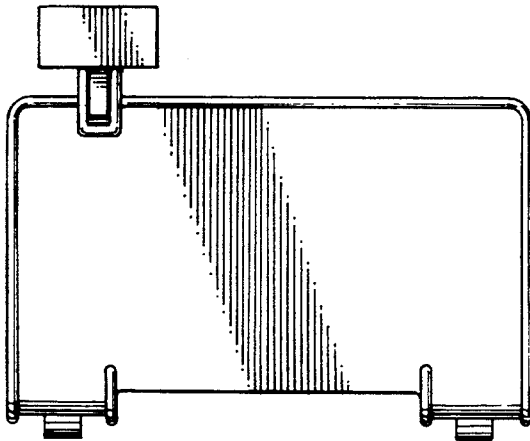


FIG. 2

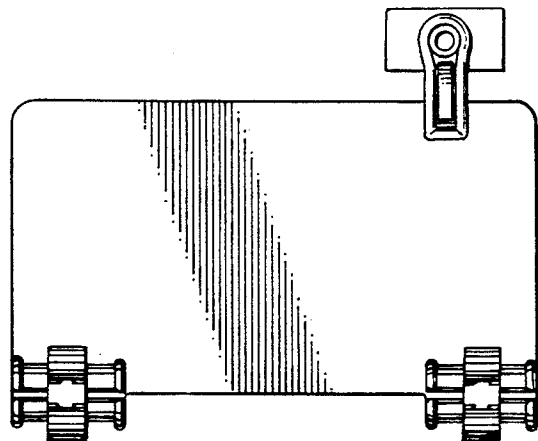


FIG. 3

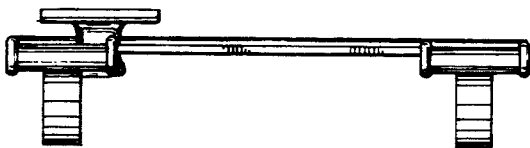


FIG. 4

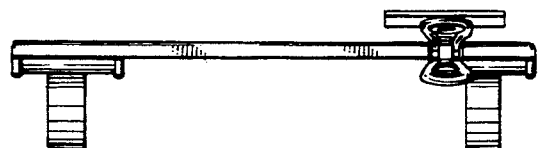


FIG. 5

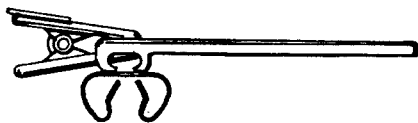


FIG. 6

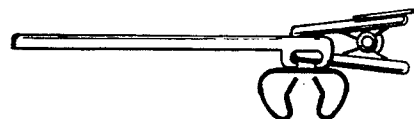


FIG. 7