



US00D946986S

(12) **United States Design Patent**  
**Nakamura**

(10) **Patent No.:** **US D946,986 S**

(45) **Date of Patent:** **\*\* Mar. 29, 2022**

- (54) **STAPLER**
- (71) Applicant: **MAX CO., LTD.**, Tokyo (JP)
- (72) Inventor: **Katsuya Nakamura**, Tokyo (JP)
- (73) Assignee: **MAX CO., LTD.**, Tokyo (JP)
- (\*\*) Term: **15 Years**
- (21) Appl. No.: **29/759,844**
- (22) Filed: **Nov. 25, 2020**

D512,461 S *	12/2005	Tsuruha	.....	D19/73
D512,616 S *	12/2005	Harris	.....	D19/72
D512,617 S *	12/2005	Adams	.....	D19/72
D512,890 S *	12/2005	Harris	.....	D19/72
D514,410 S *	2/2006	Adams	.....	D8/49
D515,893 S *	2/2006	Adams	.....	D8/49
D516,888 S *	3/2006	Harris	.....	D19/72
D522,825 S *	6/2006	Adams	.....	D8/49
D535,168 S *	1/2007	Hattori	.....	D8/50
D913,065 S *	3/2021	Chan	.....	D8/50
2002/0166884 A1 *	11/2002	Luo	.....	B25C 5/0228 227/131

\* cited by examiner

*Primary Examiner* — Austin Murphy

(74) *Attorney, Agent, or Firm* — Weihrouch IP

(30) **Foreign Application Priority Data**

May 26, 2020 (JP) ..... 2020010331D

(51) **LOC (13) Cl.** ..... **19-02**

(52) **U.S. Cl.**  
USPC ..... **D8/50; D8/49**

(58) **Field of Classification Search**  
USPC ..... D8/49, 50, 61, 68, 69; D19/72, 73, 65,  
D19/69; D21/532; D24/145; 7/158,  
7/160; 227/4, 5, 6, 7, 8, 120, 127, 128,  
227/131, 132, 134, 144, 156, 175.1;  
606/139, 143, 153, 219  
CPC ..... B25C 5/0228; B25C 5/15  
See application file for complete search history.

(56) **References Cited**

**U.S. PATENT DOCUMENTS**

D441,796 S *	5/2001	Chan	.....	D19/73
D512,290 S *	12/2005	Adams	.....	D19/72

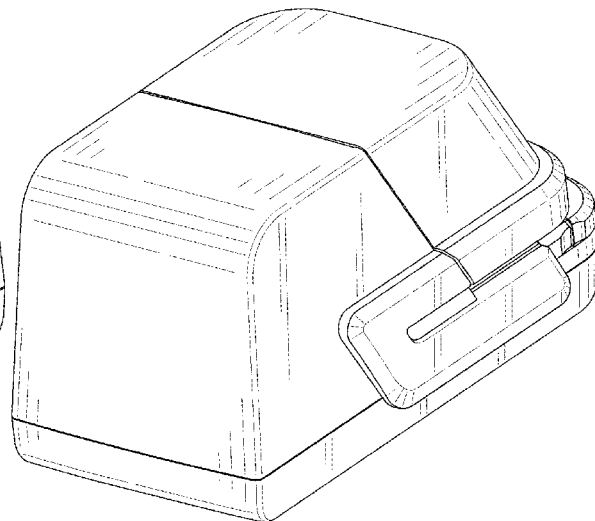
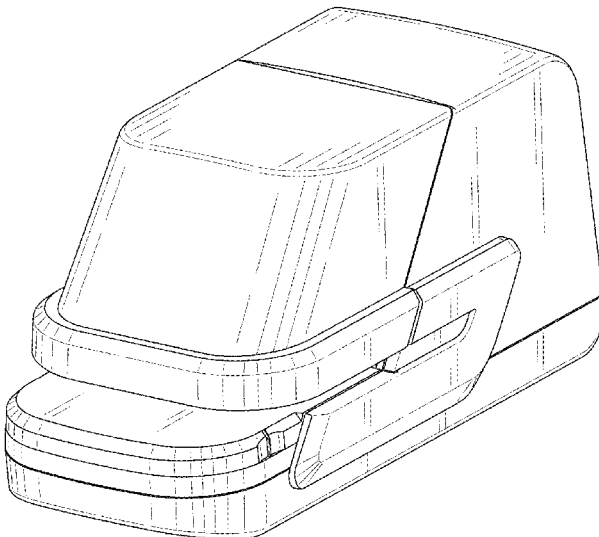
(57) **CLAIM**

The ornamental design for a stapler, as shown and described.

**DESCRIPTION**

FIG. 1 is a perspective view of the front, top and right side of a stapler showing my new design;  
 FIG. 2 is a perspective view of the rear, top and left side thereof;  
 FIG. 3 is a right side view thereof;  
 FIG. 4 is a left side view thereof;  
 FIG. 5 is a front view thereof;  
 FIG. 6 is a rear view thereof;  
 FIG. 7 is a top view thereof; and,  
 FIG. 8 is a bottom view thereof.

**1 Claim, 5 Drawing Sheets**



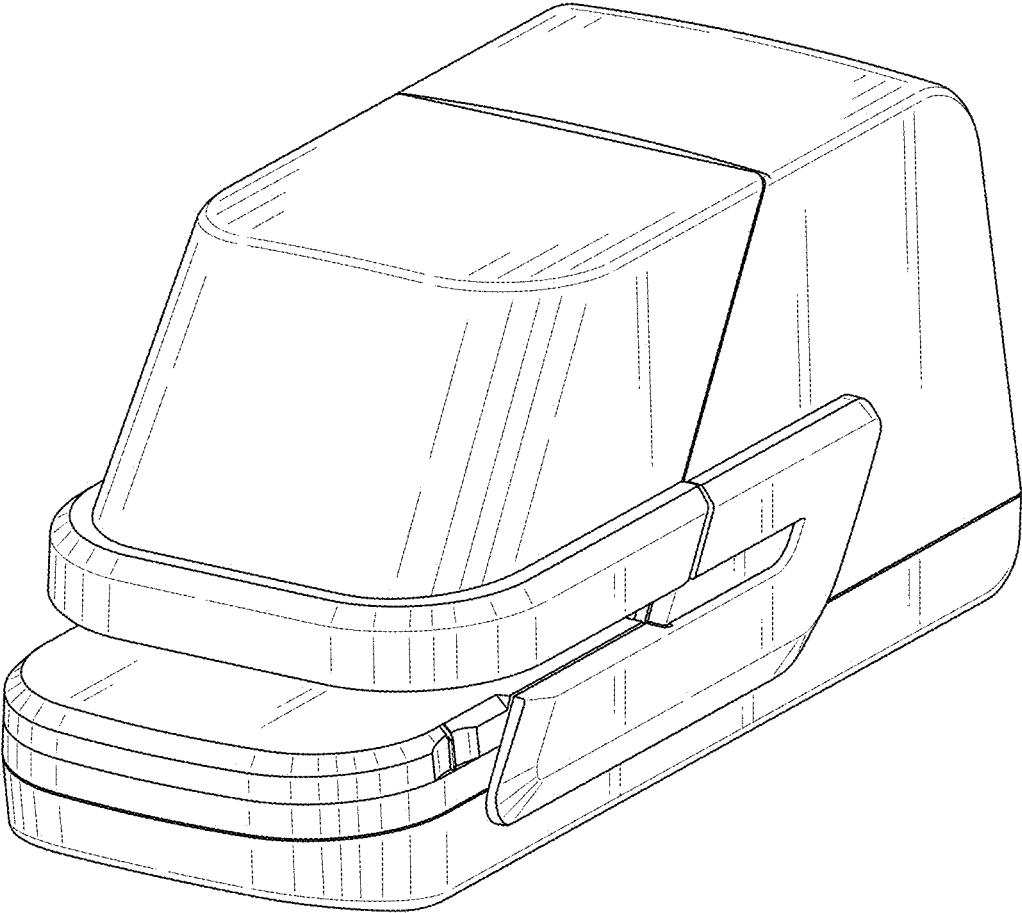


FIG. 1

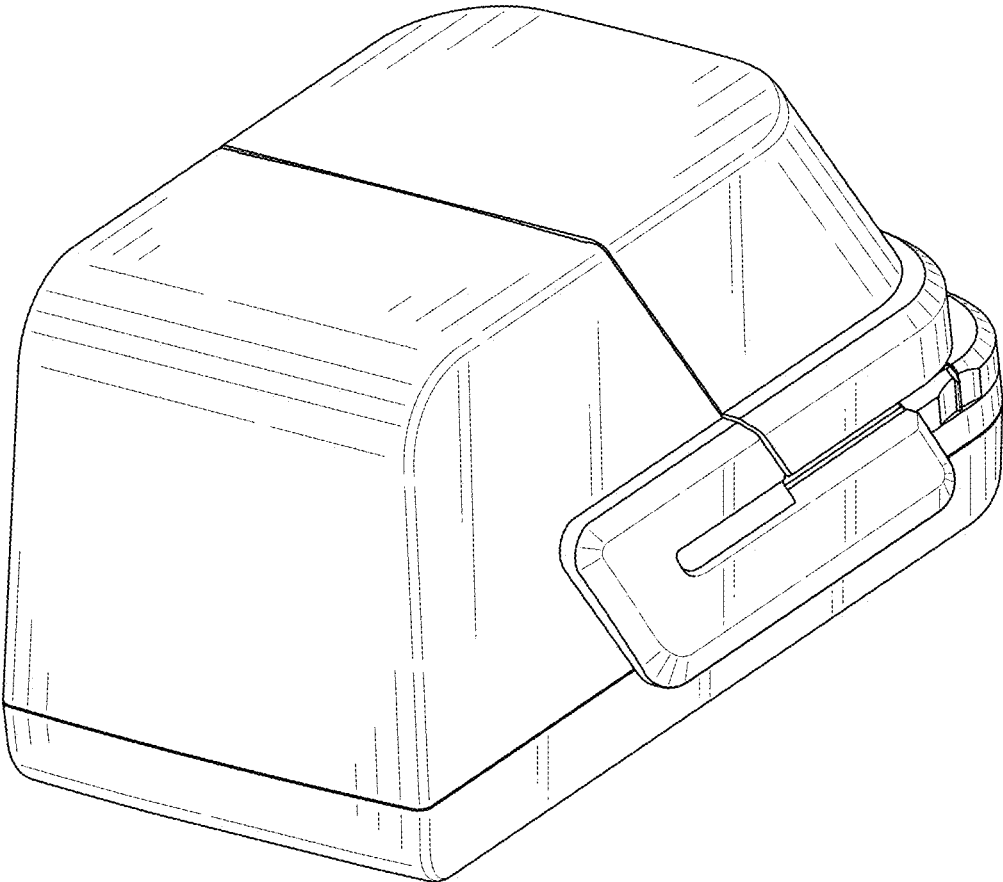


FIG. 2

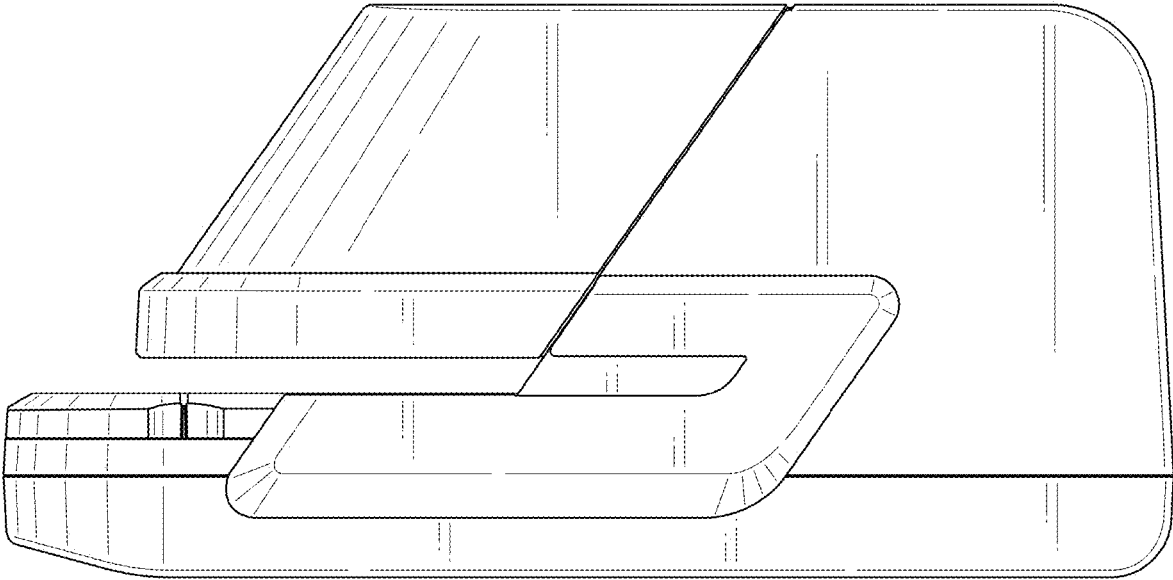


FIG. 3

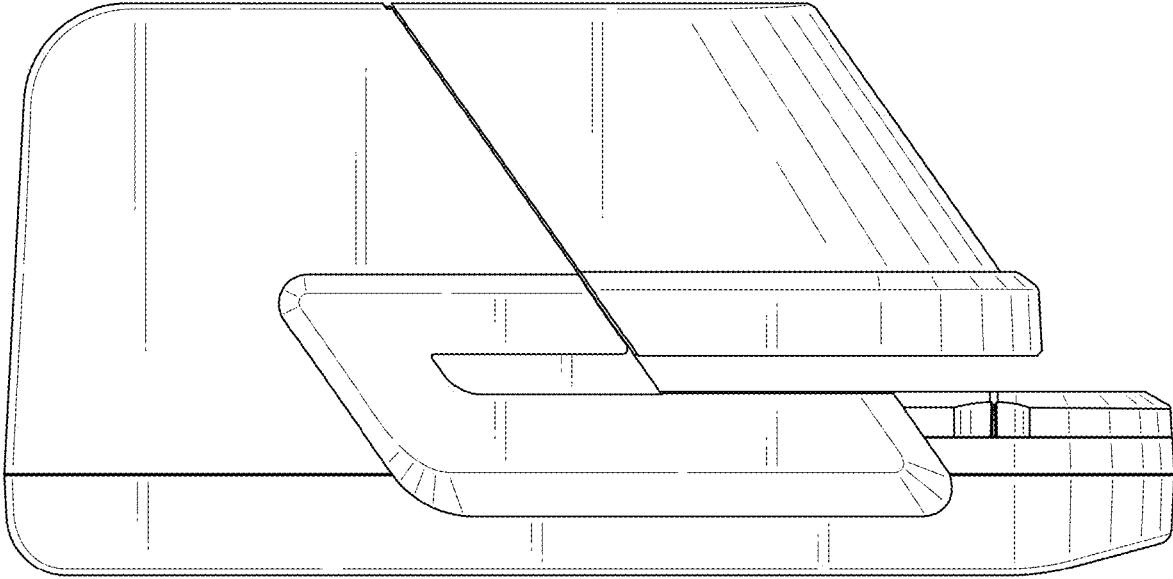


FIG. 4

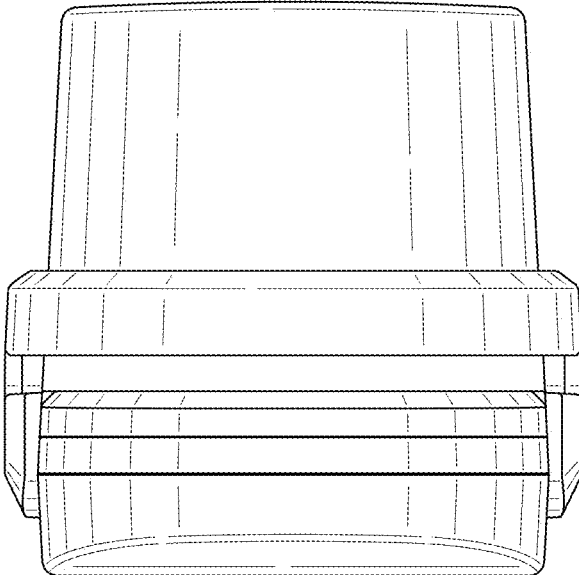


FIG. 5

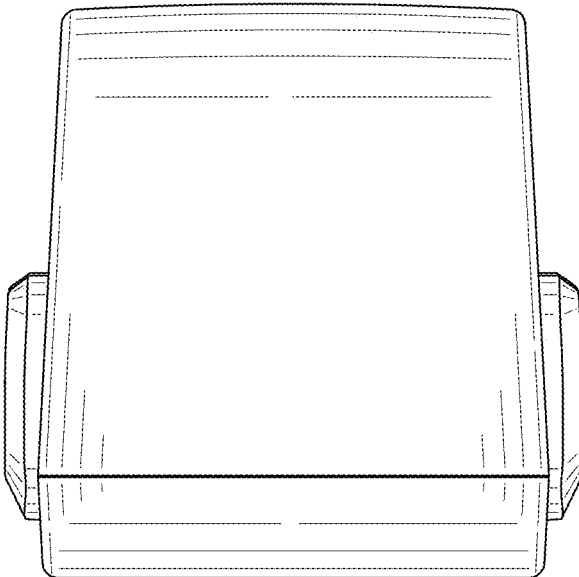


FIG. 6

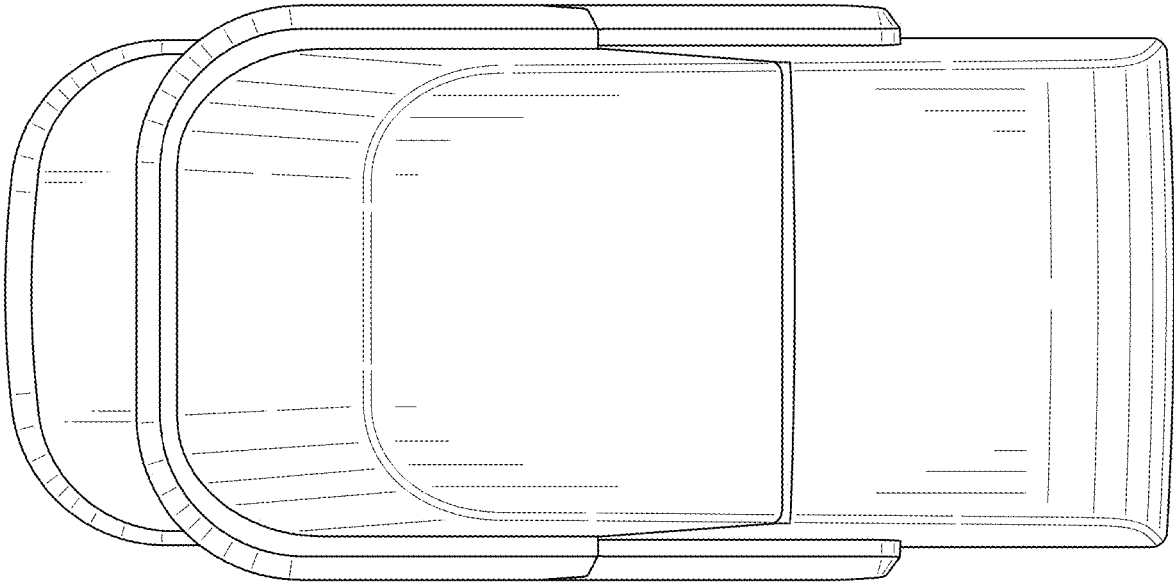


FIG. 7

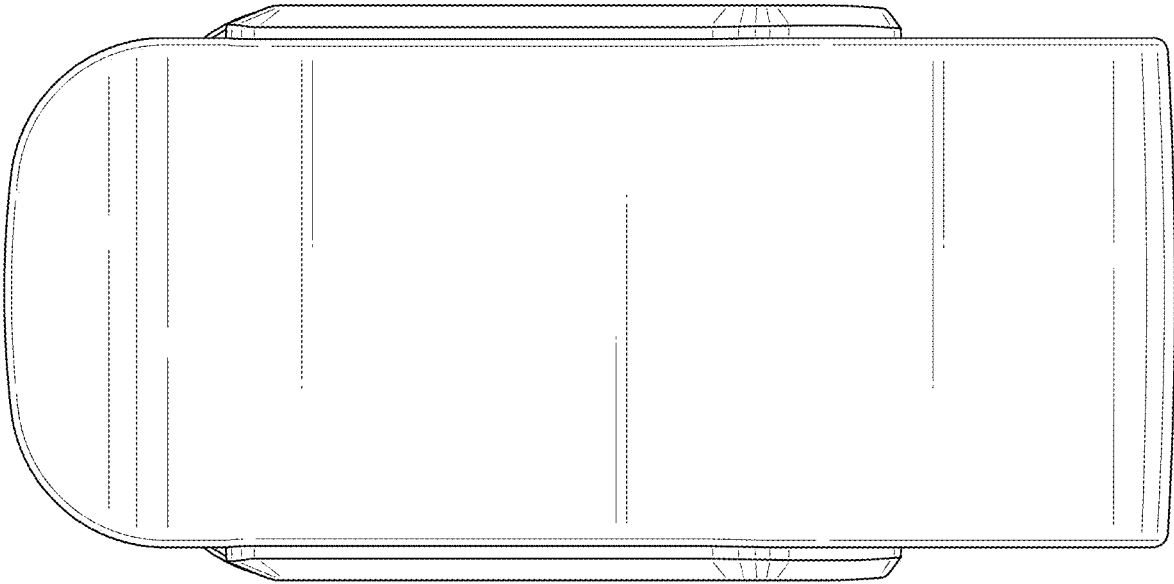


FIG. 8