



US00D924941S

(12) **United States Design Patent** (10) **Patent No.:** **US D924,941 S**  
**Sinn et al.** (45) **Date of Patent:** **\*\* Jul. 13, 2021**

(54) **ADAPTER COVER FOR A GROUND ENGAGING MACHINE IMPLEMENT**  
(71) Applicant: **Caterpillar Inc.**, Peoria, IL (US)  
(72) Inventors: **Eric Sinn**, Tremont, IL (US); **Douglas Serrurier**, Morton, IL (US); **Rammagy Yoeu**, Dunlap, IL (US)  
(73) Assignee: **Caterpillar Inc.**, Peoria, IL (US)  
(\*\*) Term: **15 Years**

4,428,131 A 1/1984 Hahn  
4,587,751 A 5/1986 Sjogren et al.  
4,716,667 A 1/1988 Martin  
5,075,986 A 12/1991 Smith et al.  
5,088,214 A 2/1992 Jones  
5,666,748 A 9/1997 Emrich et al.  
9,315,972 B2 4/2016 Anisy et al.  
D782,546 S 3/2017 Balan et al.  
9,963,857 B2 5/2018 Ruvang  
D841,433 S 2/2019 Lardon et al.  
10,428,494 B1 10/2019 Lombardo et al.  
2013/0269221 A1 10/2013 Pippins  
2020/0157765 A1 5/2020 Sinn et al.

(Continued)

(21) Appl. No.: **29/762,676**

(22) Filed: **Dec. 17, 2020**

OTHER PUBLICATIONS

U.S. Appl. No. 29/682,757, filed Mar. 7, 2019 (unpublished).

(Continued)

Related U.S. Application Data

(63) Continuation of application No. 29/682,759, filed on Mar. 7, 2019, now Pat. No. Des. 905,764.

(51) **LOC (13) Cl.** ..... **15-03**

(52) **U.S. Cl.** ..... **D15/28**  
USPC ..... **D15/28**

(58) **Field of Classification Search**  
USPC ..... D15/11, 28, 29; 37/456, 452, 450, 446, 37/454, 449, 453, 455, 903; 403/379.5, 403/DIG. 1; 111/152; 172/724, 730, 172/766, 770, 771, 721, 713, 699, 772  
CPC ..... Y10T 29/49826; Y10T 403/589; Y10T 403/7018; Y10T 403/7075; E02F 9/28; E02F 9/2825; E02F 9/2833; E02F 9/2866; E02F 9/2858; E02F 9/2808; E02F 9/2841  
See application file for complete search history.

(56) **References Cited**

U.S. PATENT DOCUMENTS

3,082,555 A 3/1963 Hill  
3,137,352 A 6/1964 Petersen  
4,317,300 A 3/1982 Emrich et al.  
4,326,348 A 4/1982 Emrich  
4,335,532 A 6/1982 Hahn et al.

*Primary Examiner* — Mark A Goodwin

(74) *Attorney, Agent, or Firm* — Saidman Design Law Group

(57) **CLAIM**

The ornamental design for an adapter cover for a ground engaging machine implement, as shown and described.

**DESCRIPTION**

FIG. 1 is a front perspective view of an adapter cover for a ground engaging machine implement showing our new design;

FIG. 2 is a front view thereof;

FIG. 3 is a rear view thereof;

FIG. 4 is a left side view thereof;

FIG. 5 is a right side view thereof;

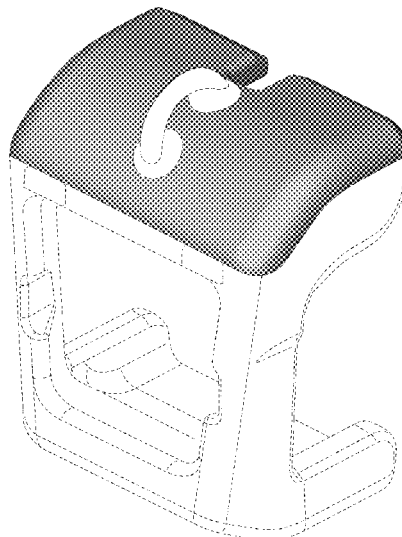
FIG. 6 is a top view thereof; and,

FIG. 7 is a bottom view thereof.

Grayscale shading illustrates contour.

The broken lines illustrate structure or features which form no part of the claimed design.

**1 Claim, 4 Drawing Sheets**



(56)

**References Cited**

U.S. PATENT DOCUMENTS

2020/0157776 A1 5/2020 Sinn et al.  
2020/0157777 A1 5/2020 Sinn et al.  
2020/0157778 A1 5/2020 Sinn et al.  
2020/0157779 A1 5/2020 Sinn et al.  
2020/0157780 A1 5/2020 Sinn et al.

OTHER PUBLICATIONS

U.S. Appl. No. 29/682,759, filed Mar. 7, 2019 (unpublished).  
U.S. Appl. No. 16/951,186, filed Nov. 18, 2020 (unpublished).  
U.S. Appl. No. 16/951,231, filed Nov. 18, 2020 (unpublished).  
U.S. Appl. No. 16/951,630, filed Nov. 18, 2020 (unpublished).  
U.S. Appl. No. 29/758,754, filed Nov. 18, 2020 (unpublished).  
U.S. Appl. No. 29/758,763, filed Nov. 18, 2020 (unpublished).

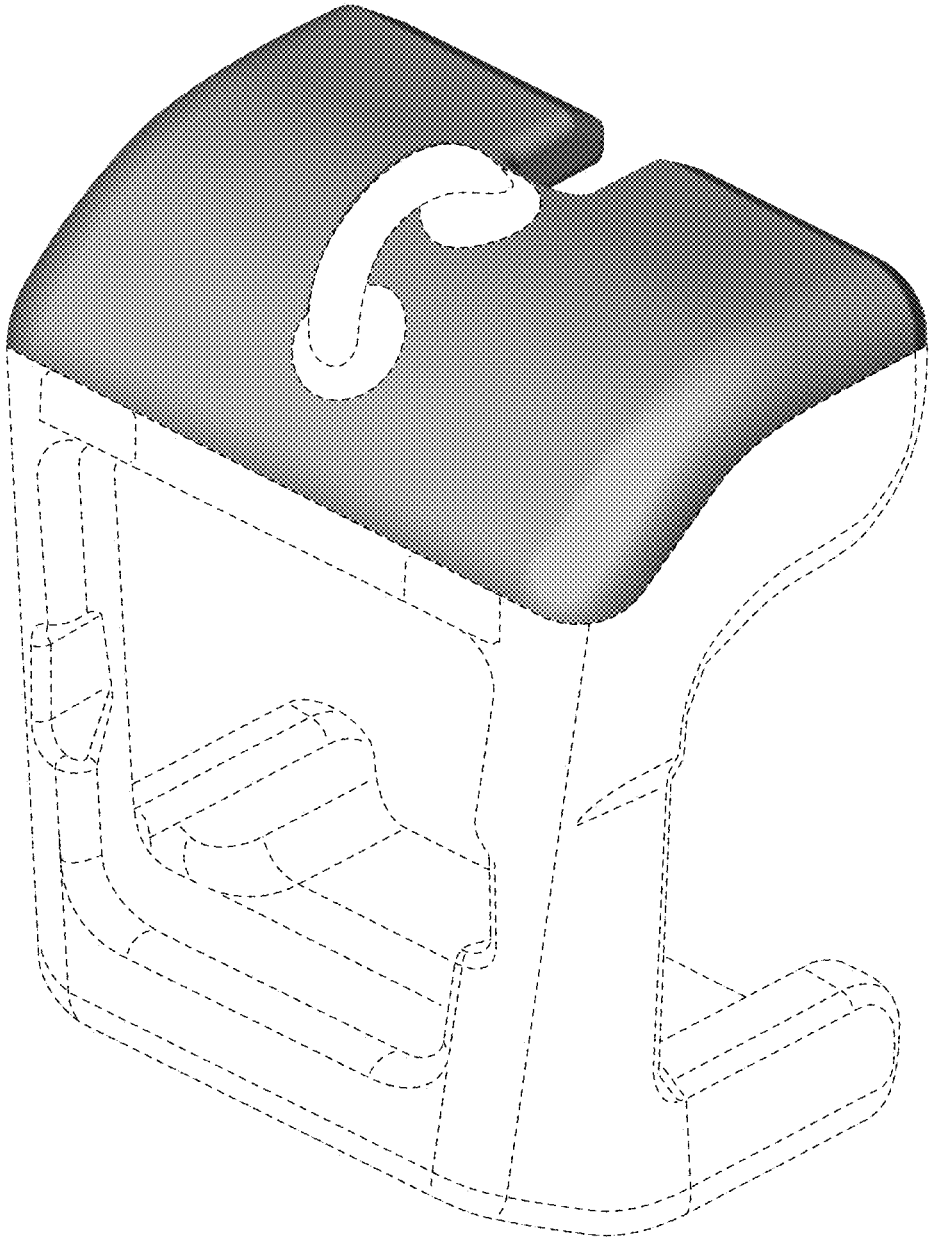


FIG. 1

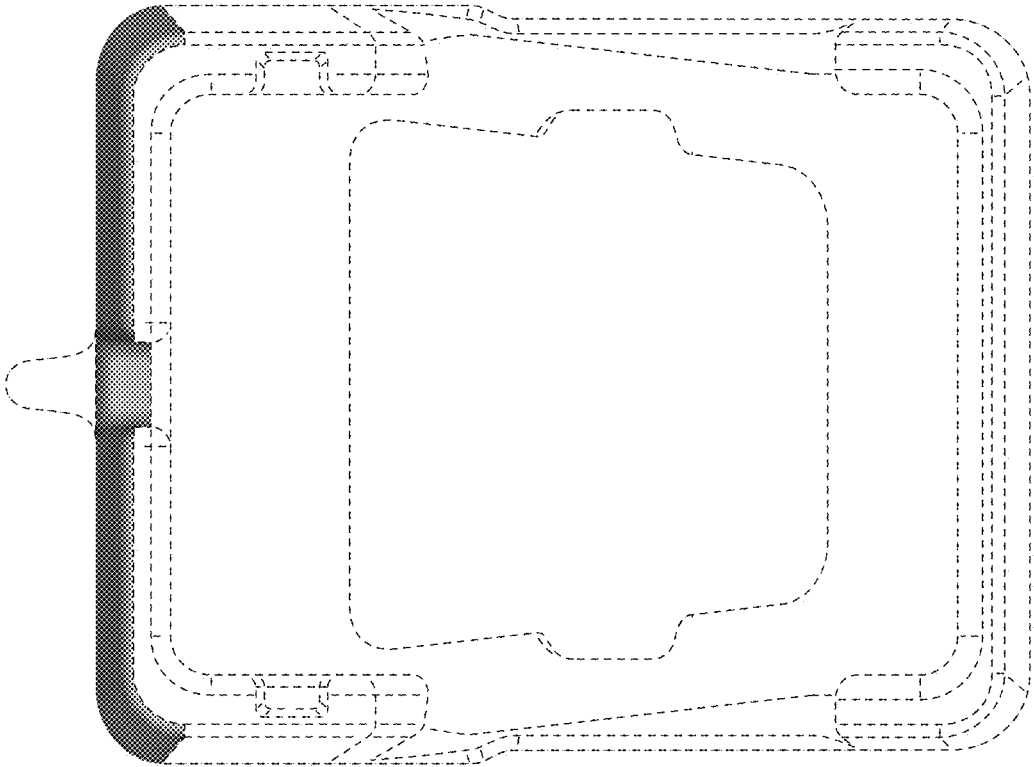


FIG. 3

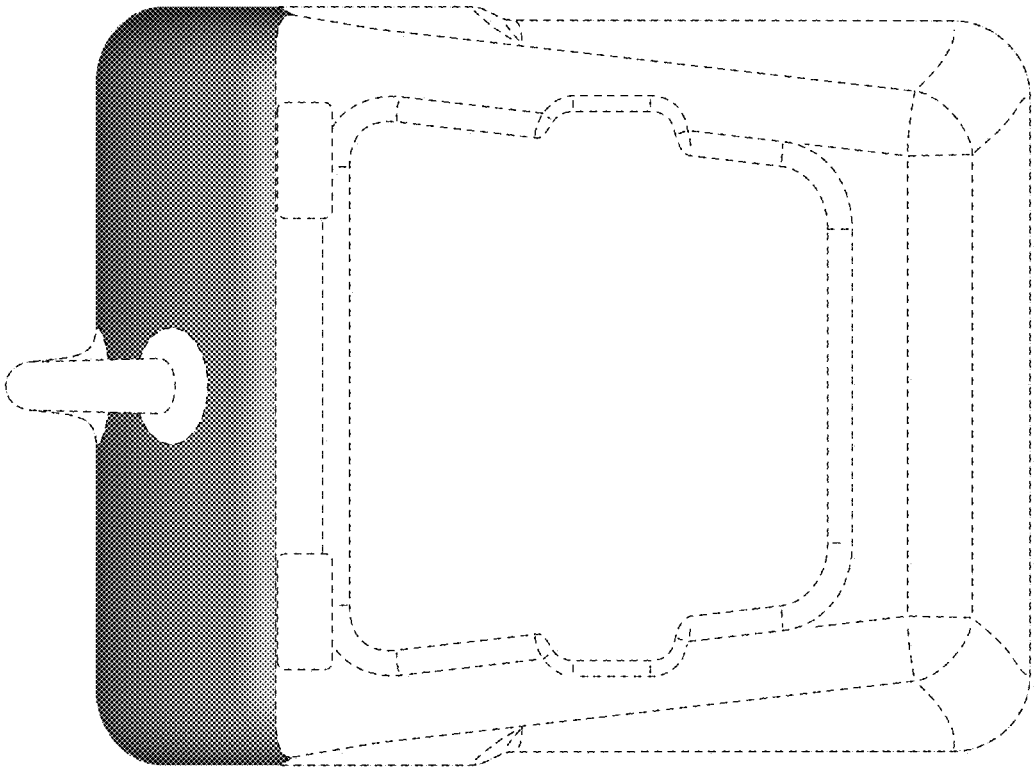


FIG. 2

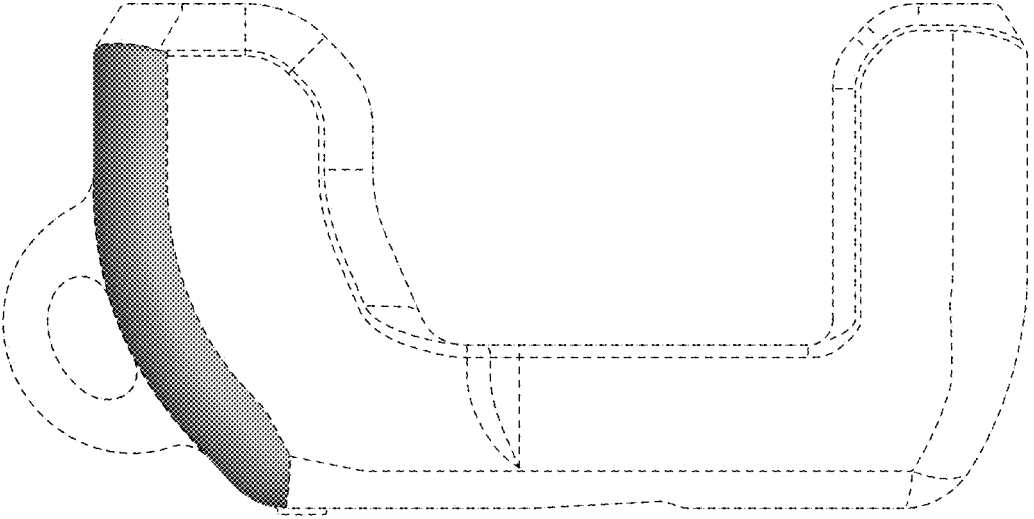


FIG. 5

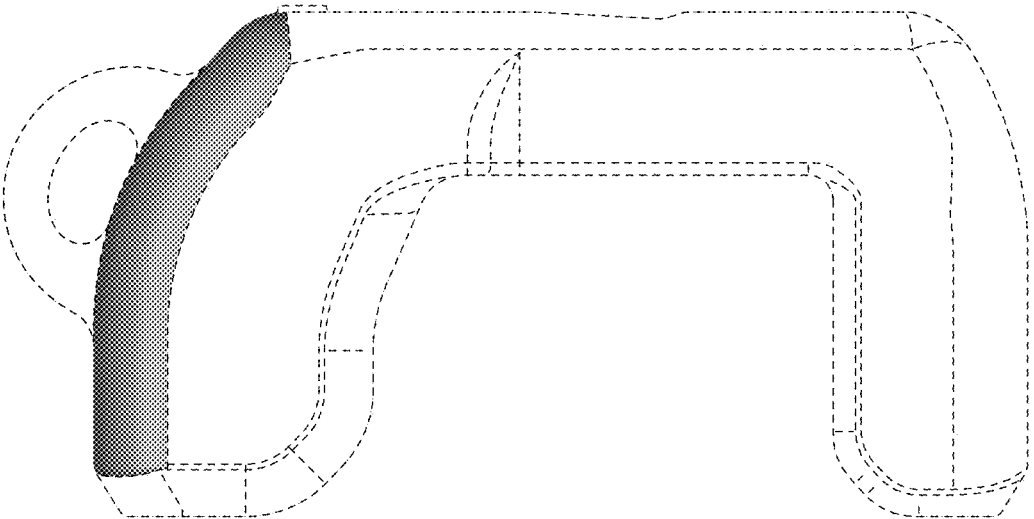


FIG. 4

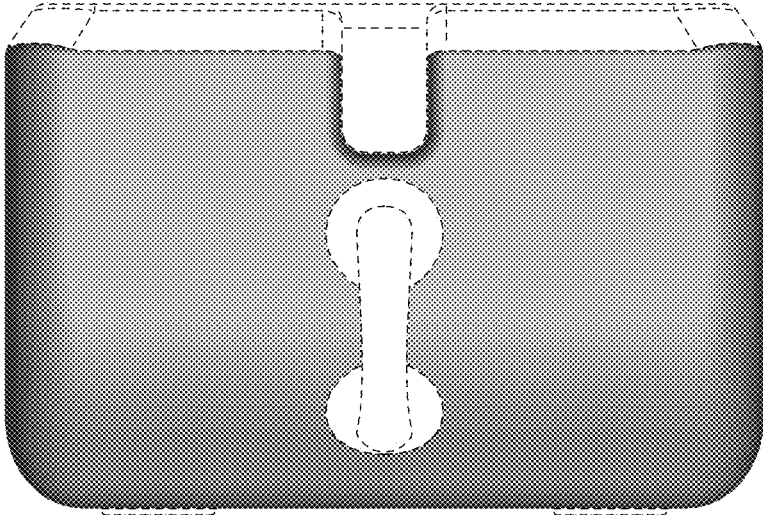


FIG. 6

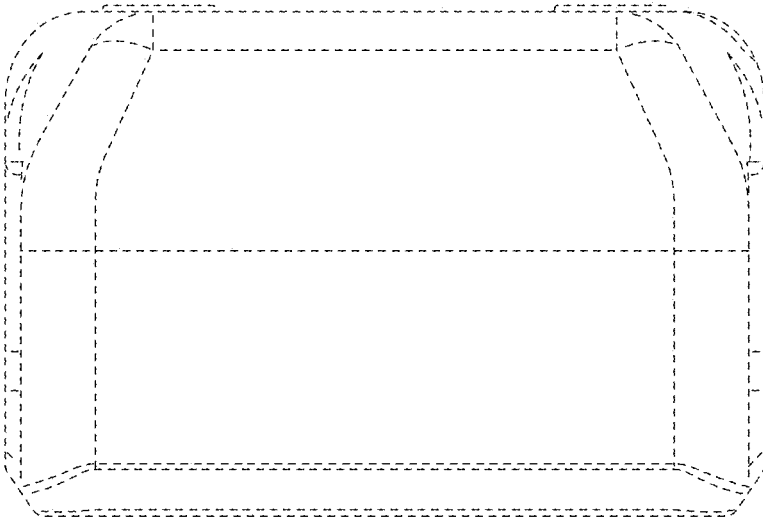


FIG. 7