



US00D680272S

(12) **United States Design Patent**
Cheng

(10) **Patent No.:** **US D680,272 S**

(45) **Date of Patent:** **** Apr. 16, 2013**

(54) **LIGHT SOLIDIFYING DEVICE**

(75) Inventor: **Kuo-Chang Cheng**, New Taipei (TW)

(73) Assignee: **Cosmex Co., Ltd.**, New Taipei (TW)

(**) Term: **14 Years**

(21) Appl. No.: **29/408,638**

(22) Filed: **Dec. 14, 2011**

(51) **LOC (9) Cl.** **28-03**

(52) **U.S. Cl.**

USPC **D28/54.1**; D28/58

(58) **Field of Classification Search** D24/107,
D24/133, 152, 176-177, 185, 209-210, 214,
D24/180-181; D28/54.1, 56, 58, 62; D26/104;
34/275; 132/73, 73.5; 250/504 R, 504 H,
250/461.1; 252/588; 607/88, 90, 94; 600/241,
600/245; 433/29, 32, 215, 35-36
See application file for complete search history.

(56) **References Cited**

U.S. PATENT DOCUMENTS

D115,677 S * 7/1939 Ullmo D26/104
D259,738 S * 6/1981 Boschetti D24/210
5,249,367 A * 10/1993 Nafziger et al. 34/275
D433,137 S * 10/2000 Pollock et al. D24/176

D450,389 S * 11/2001 Chang D24/210
6,465,799 B1 * 10/2002 Kimble et al. 250/504 R
D643,576 S * 8/2011 Chan D28/58
2010/0293805 A1 * 11/2010 Chang 34/202
2011/0277338 A1 * 11/2011 Li et al. 34/275
2012/0060757 A1 * 3/2012 Li et al. 118/620

* cited by examiner

Primary Examiner — Wan Laymon

(74) *Attorney, Agent, or Firm* — Lin & Associates IP, Inc.

(57) **CLAIM**

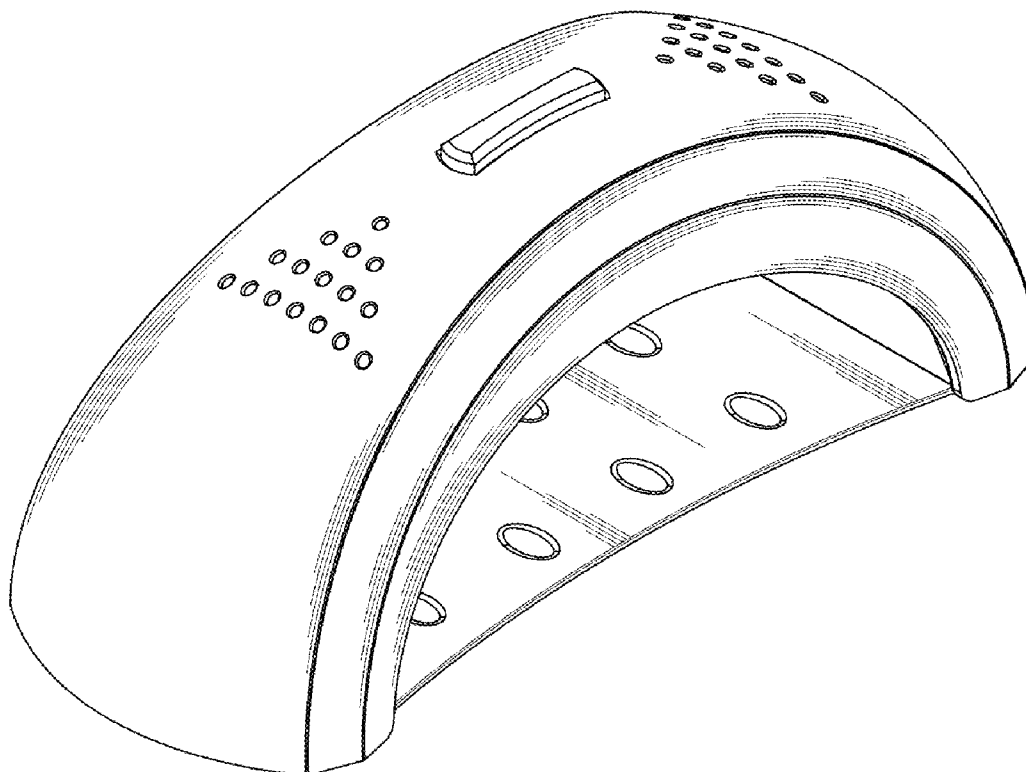
The ornamental design for a light solidifying device, as shown and described.

DESCRIPTION

FIG. 1 is a perspective view of a light solidifying device showing my new design;
FIG. 2 is a front elevational view thereof;
FIG. 3 is a rear elevational view thereof;
FIG. 4 is a left elevational view thereof;
FIG. 5 is a right elevational view thereof;
FIG. 6 is a top view thereof; and,
FIG. 7 is a bottom view thereof.

The portions of the light solidifying device shown in broken lines form no part of the claimed design.

1 Claim, 7 Drawing Sheets



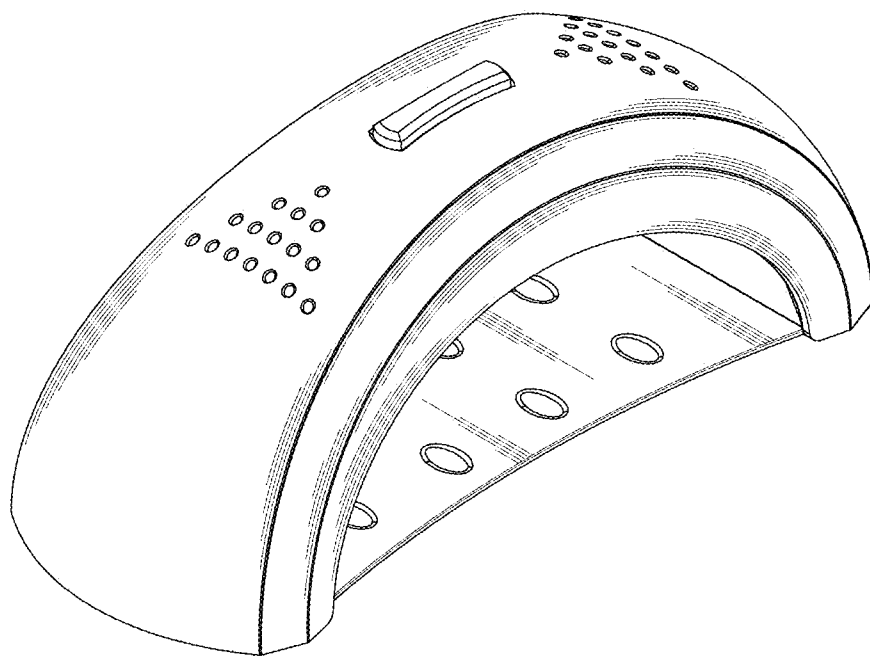


FIG. 1

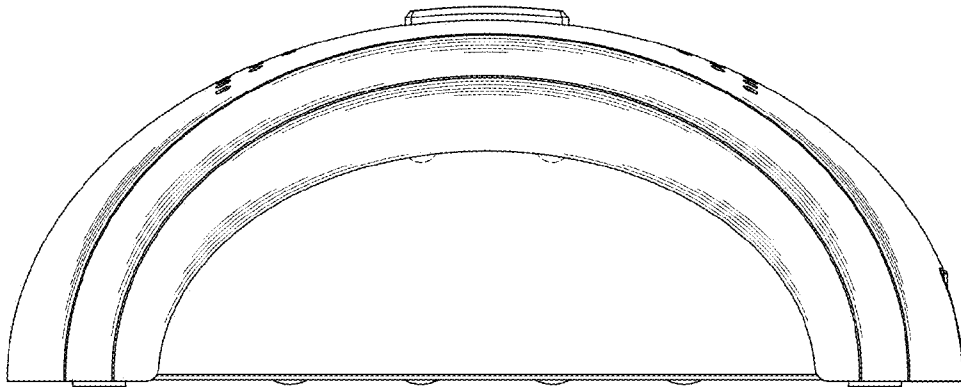


FIG. 2

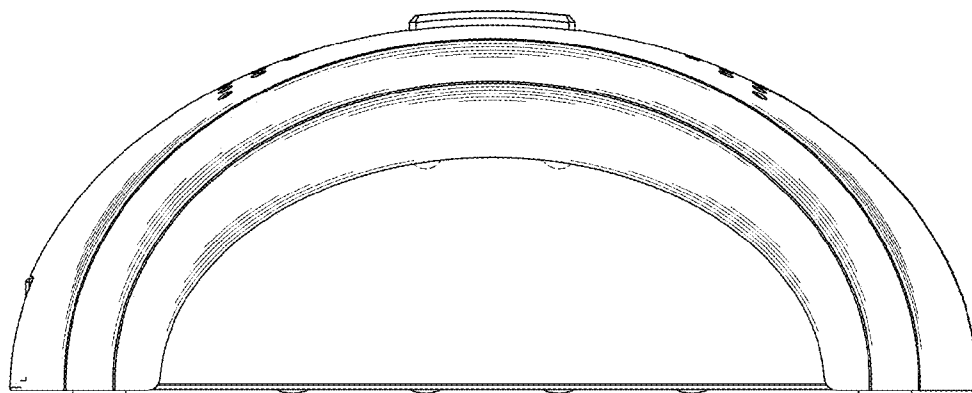


FIG. 3

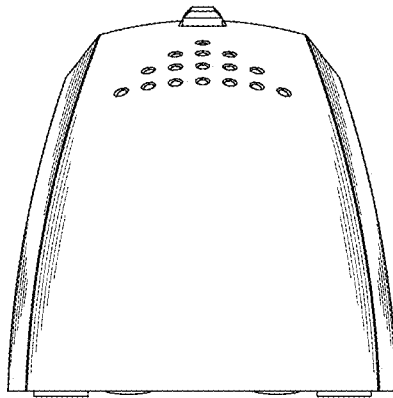


FIG. 4

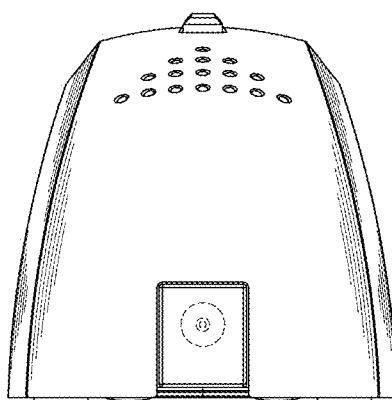


FIG. 5

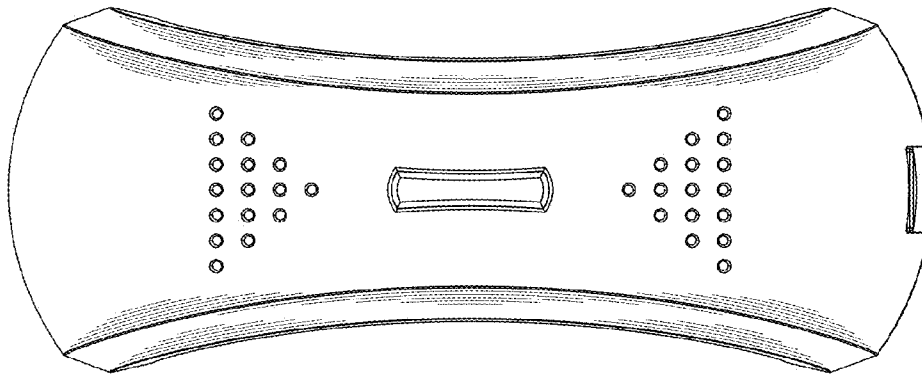


FIG. 6

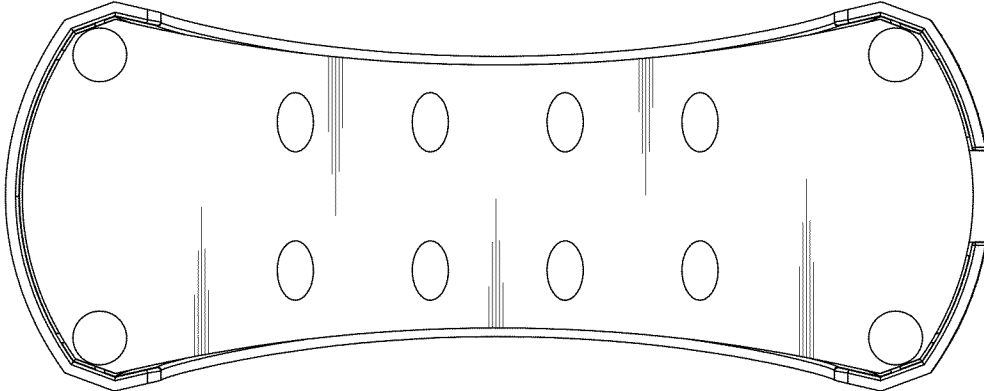


FIG. 7