



US00D774176S

(12) **United States Design Patent**
Wang

(10) **Patent No.:** **US D774,176 S**

(45) **Date of Patent:** **** Dec. 13, 2016**

(54) **COMBINED CEILING FAN HOUSING AND LIGHT KIT**

(71) Applicant: **YOUNGO LIMITED**, Hong Kong (CN)

(72) Inventor: **Cliff Wang**, Taichung (TW)

(73) Assignee: **YOUNGO LIMITED**, Central (HK)

(**) Term: **15 Years**

(21) Appl. No.: **29/536,463**

(22) Filed: **Aug. 17, 2015**

(51) **LOC (10) Cl.** **23-04**

(52) **U.S. Cl.**
USPC **D23/385**

(58) **Field of Classification Search**
USPC D23/370, 355, 314, 414, 371, 377, 385;
415/121.1; D14/432
CPC F04D 29/329; F04D 29/526; F04D 25/082;
F04D 29/325; F04D 29/703; F04D 29/547
See application file for complete search history.

(56) **References Cited**

U.S. PATENT DOCUMENTS

RE18,960 E * 10/1933 Dauman D26/88
D348,729 S * 7/1994 Mason D23/411
D356,152 S * 3/1995 Collmar D23/377
D372,080 S * 7/1996 Dolan D23/377

D384,737 S * 10/1997 Gee, II D23/377
D419,660 S * 1/2000 Zuege D23/377
D450,831 S * 11/2001 Hsieh D23/377
6,382,917 B1 * 5/2002 Zuege F04D 29/34
416/210 R
D476,728 S * 7/2003 Gajewski D23/377
D535,051 S * 1/2007 Stauffer D26/128
D596,734 S * 7/2009 Kihara D23/377
D707,807 S * 6/2014 Pan D23/377
D758,561 S * 6/2016 Dolan D23/411
D759,799 S * 6/2016 Wang D23/385

* cited by examiner

Primary Examiner — Cynthia Underwood

(74) *Attorney, Agent, or Firm* — Muncy, Geissler, Olds & Lowe, P.C.

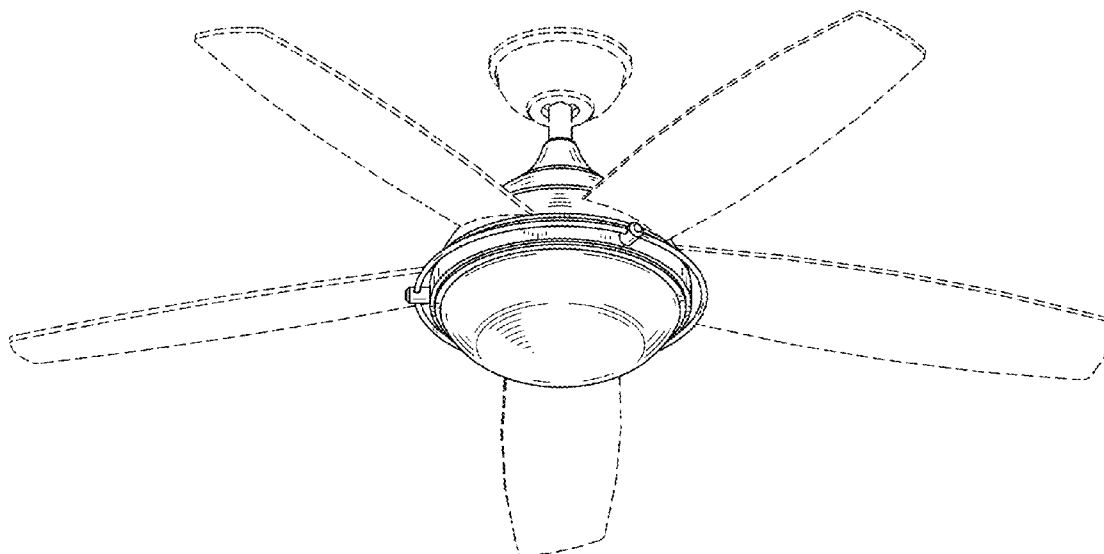
(57) **CLAIM**

The ornamental design for a combined ceiling fan housing and light kit, as shown and described.

DESCRIPTION

FIG. 1 is a perspective view of the present design;
FIG. 2 is a front view of the present design;
FIG. 3 is a rear view of the present design;
FIG. 4 is a left side view of the present design;
FIG. 5 is a right side view of the present design;
FIG. 6 is a top view of the present design; and,
FIG. 7 is a bottom view of the present design.
The broken lines represent environment that forms no part of the claim.

1 Claim, 7 Drawing Sheets



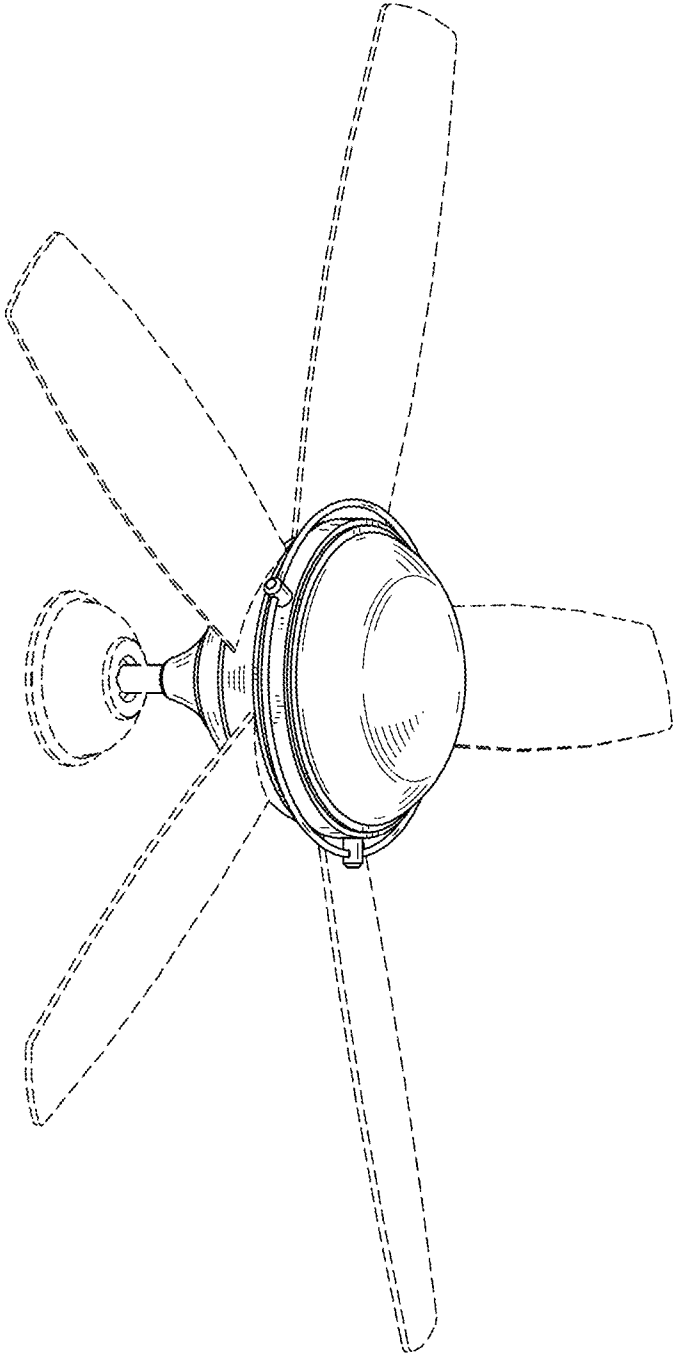


FIG. 1

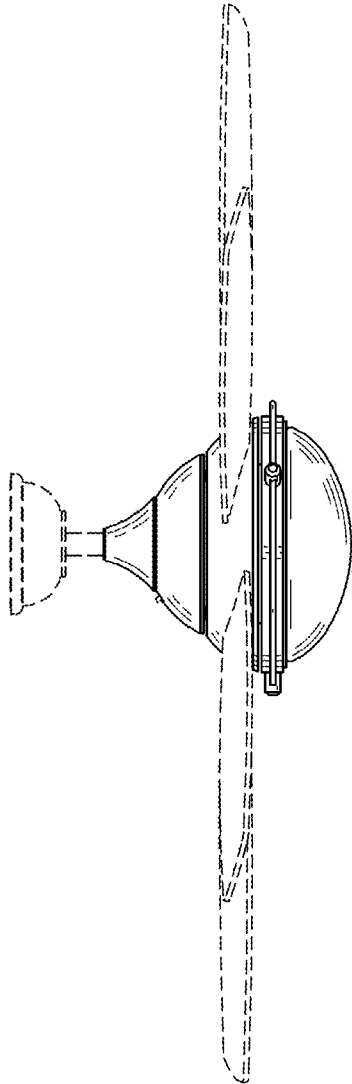


FIG. 2

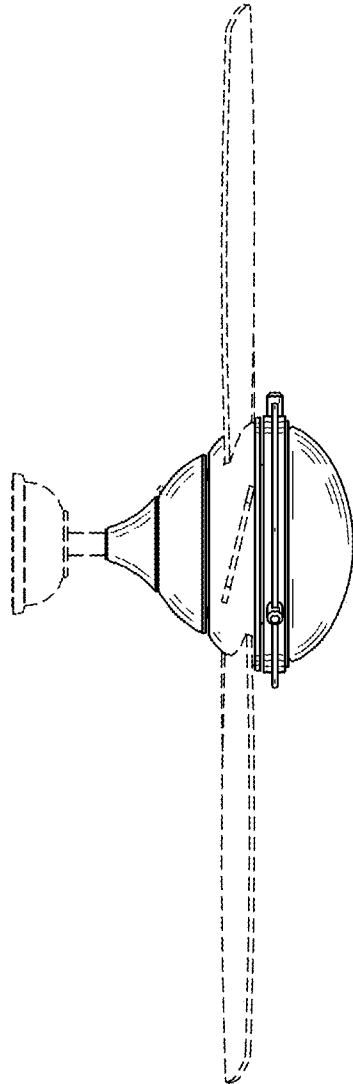


FIG. 3

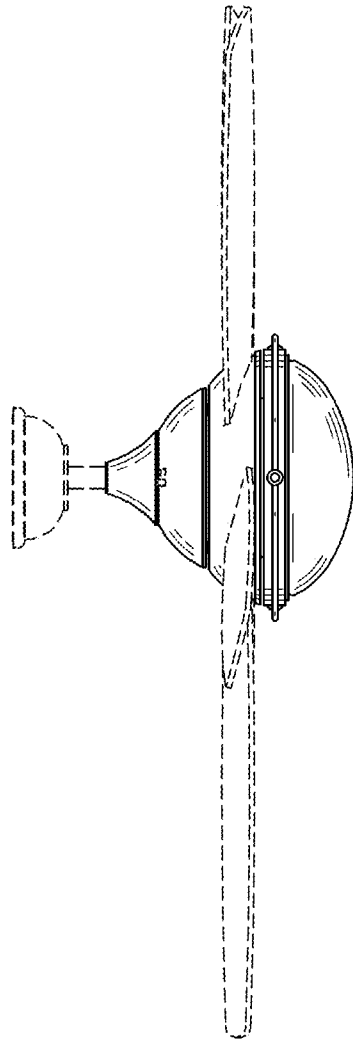


FIG. 4

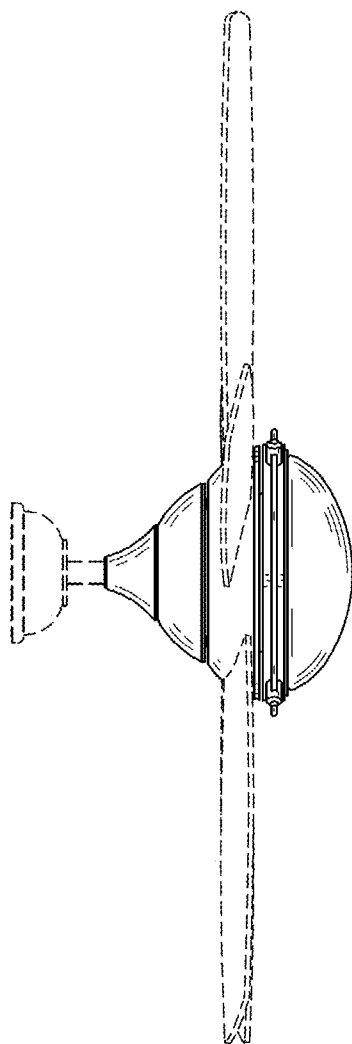


FIG. 5

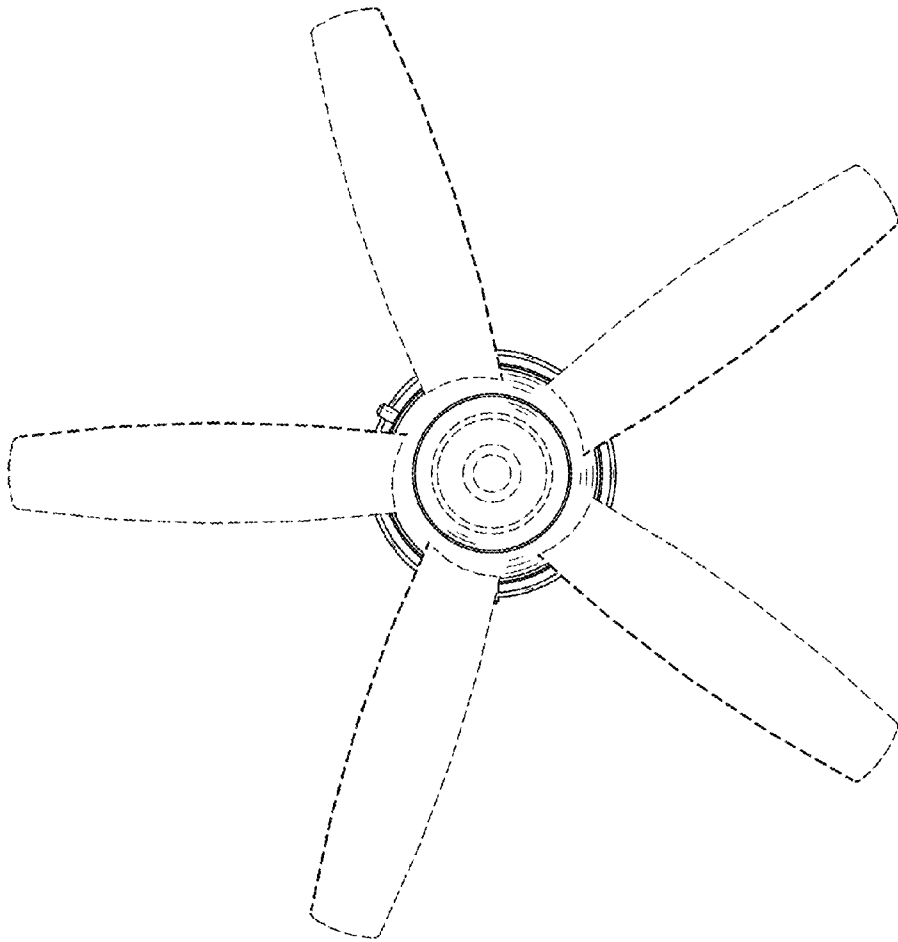


FIG. 6

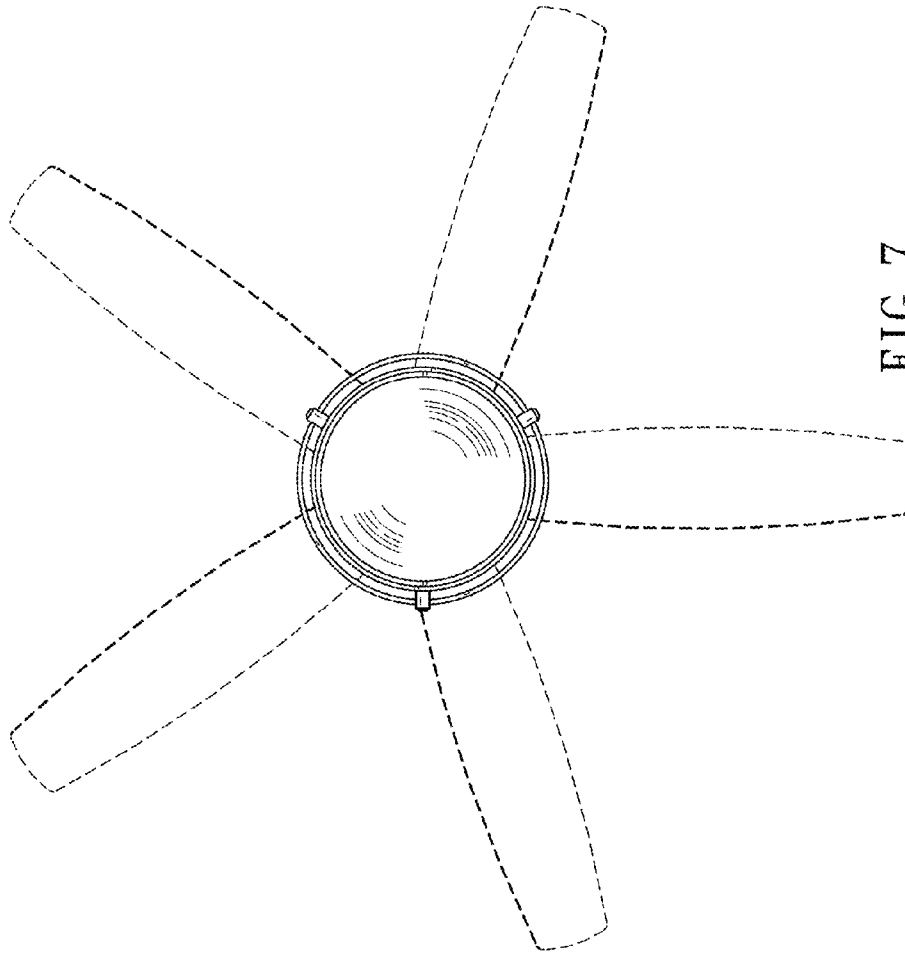


FIG. 7