



(12) **United States Design Patent**
McMurtrey et al.

(10) **Patent No.:** **US D872,962 S**
(45) **Date of Patent:** **** Jan. 14, 2020**

(54) **CART**
(71) Applicant: **Unarco Industries LLC**, Wagoner, OK (US)
(72) Inventors: **Wesley McMurtrey**, Bixby, OK (US); **Valentin E. Alvarez**, Broken Arrow, OK (US); **Gregory Alan Cox**, Muskogee, OK (US); **Mamie Elizabeth Dayan Vogel**, Atlanta, GA (US); **Stephen Michael Seymour**, Edmond, OK (US); **Garrett David Johnson**, Oklahoma City, OK (US)

5,149,114 A 9/1992 Lewandowski et al.
5,350,182 A 9/1994 Hurst
5,409,245 A 4/1995 Kern et al.
5,470,087 A 11/1995 Mainard et al.
6,203,029 B1 3/2001 Ondrasik
6,923,456 B2 8/2005 Ryan et al.
D542,997 S * 5/2007 Coderre D34/17
(Continued)

FOREIGN PATENT DOCUMENTS

DE 3117767 A1 11/1982
DE 3442124 A1 5/1986
(Continued)

OTHER PUBLICATIONS

Jun. 11, 2018—(WO) Partial ISR—App. No. PCT/US2018/015245.
(Continued)

Primary Examiner — Gino Colan
(74) *Attorney, Agent, or Firm* — Banner & Witcoff, Ltd.

(73) Assignee: **Unarco Industries LLC**, Wagoner, OK (US)
(**) Term: **15 Years**
(21) Appl. No.: **29/605,416**
(22) Filed: **May 25, 2017**
(51) **LOC (12) Cl.** **12-02**
(52) **U.S. Cl.**
USPC **D34/21**
(58) **Field of Classification Search**
USPC D34/12, 16–18, 20–24, 26, 27;
280/47.34, 33.993, 33.992, 33.991
CPC .. B62B 5/06; B62B 3/02; B62B 11/00; B62B
3/14; B62B 3/144; B62B 3/022
See application file for complete search history.

(57) **CLAIM**

The ornamental design for a cart, as shown and described.

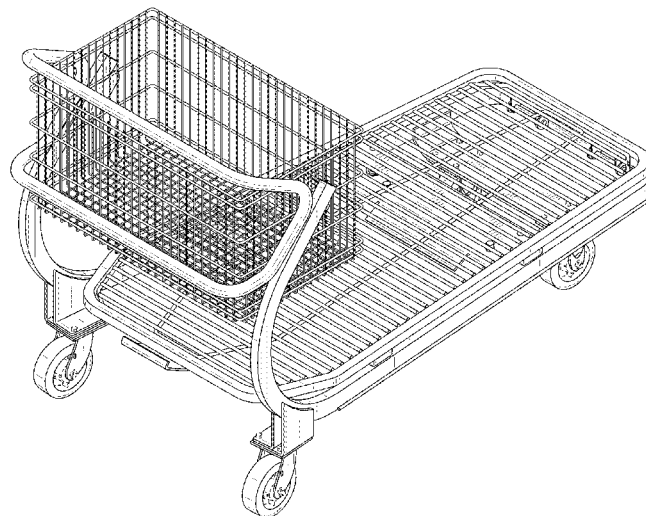
DESCRIPTION

FIG. 1 is a top, rear, right perspective view of a cart showing our new design;
FIG. 2 is a left side elevation view thereof;
FIG. 3 is a right side elevation view thereof;
FIG. 4 is a rear view thereof;
FIG. 5 is a front view thereof;
FIG. 6 is a top view thereof; and,
FIG. 7 is a bottom view thereof.
The even-length broken lines immediately adjacent to the shaded area represent unclaimed boundaries of the design. The other even-length broken lines in the figures are to show portions of the cart that form no part of the claimed design.

1 Claim, 7 Drawing Sheets

(56) **References Cited**
U.S. PATENT DOCUMENTS

2,556,532 A 6/1951 Goldman
2,639,161 A 5/1953 Goldman
D198,448 S 6/1964 Moran
3,147,021 A 9/1964 Lachance
3,337,227 A 8/1967 Castaldo
3,809,202 A 5/1974 Tyszkiewicz
4,647,055 A 3/1987 Weill



(56)

References Cited

U.S. PATENT DOCUMENTS

7,216,875 B2 5/2007 O'Quin
 D548,421 S 8/2007 Walter
 7,303,198 B2 12/2007 Higgins
 D576,372 S * 9/2008 Walter D34/17
 D580,617 S * 11/2008 Walter D34/12
 D584,023 S * 12/2008 Walter D34/12
 7,673,886 B2 3/2010 Ondrasik
 7,681,891 B2 * 3/2010 Deal B62B 3/1472
 280/33.991
 D615,723 S 5/2010 Walter
 7,857,108 B2 12/2010 Amdahl et al.
 8,256,777 B2 * 9/2012 Deal B62B 3/1472
 280/33.992
 3,544,858 A1 10/2013 Eberlein
 D700,762 S * 3/2014 Walter D34/27
 8,998,218 B1 4/2015 Bitondo et al.
 D742,088 S * 10/2015 Walter D34/21
 9,371,084 B2 6/2016 Peters et al.
 D800,986 S 10/2017 Magnusson
 D814,135 S * 3/2018 McMurtrey D34/27
 D814,136 S * 3/2018 McMurtrey D34/27
 2004/0201187 A1 10/2004 Ondrasik
 2005/0012284 A1 1/2005 Prather et al.

2007/0063460 A1 3/2007 O'Quin
 2008/0084035 A1 4/2008 Johnson et al.
 2013/0026725 A1 1/2013 Eberlein
 2013/0069326 A1 3/2013 Padgett et al.
 2014/0038788 A1 2/2014 Goldman
 2016/0075361 A1 3/2016 Stauff et al.
 2017/0036686 A1 2/2017 Peters et al.
 2017/0174187 A1 6/2017 Jones et al.

FOREIGN PATENT DOCUMENTS

DE 29806825 U1 6/1998
 EP 0267817 A1 5/1988
 EP 0352647 A2 1/1991
 GB 1156349 A 6/1969
 WO 9301077 A1 1/1993
 WO 2016138048 A1 9/2016

OTHER PUBLICATIONS

Jul. 31, 2018—(US) Non-Final Office Action—U.S. Appl. No. 15/879,659.
 Aug. 2, 2018—(WO) ISR and WO—App. No. PCT/US2018/015245.

* cited by examiner

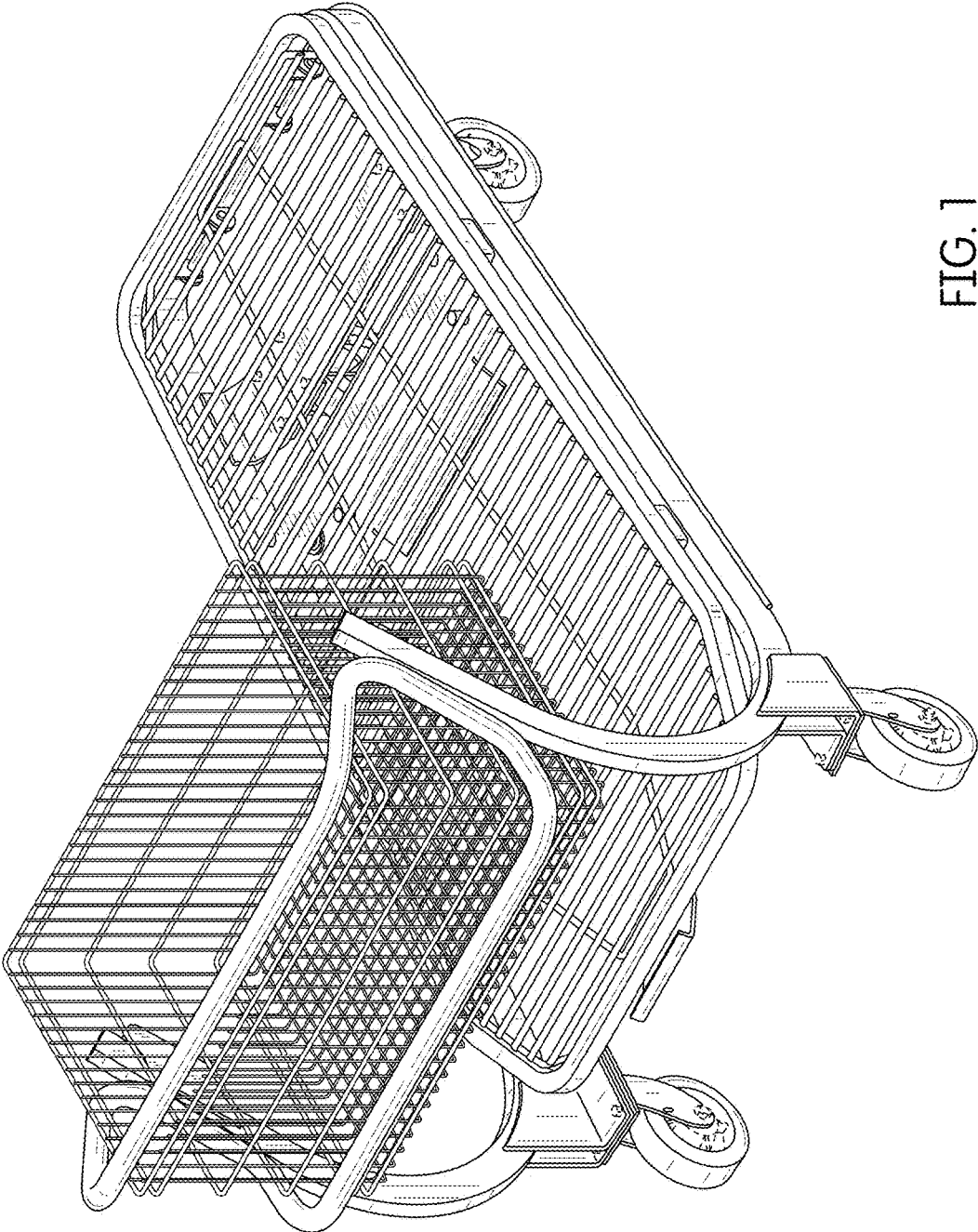


FIG. 1

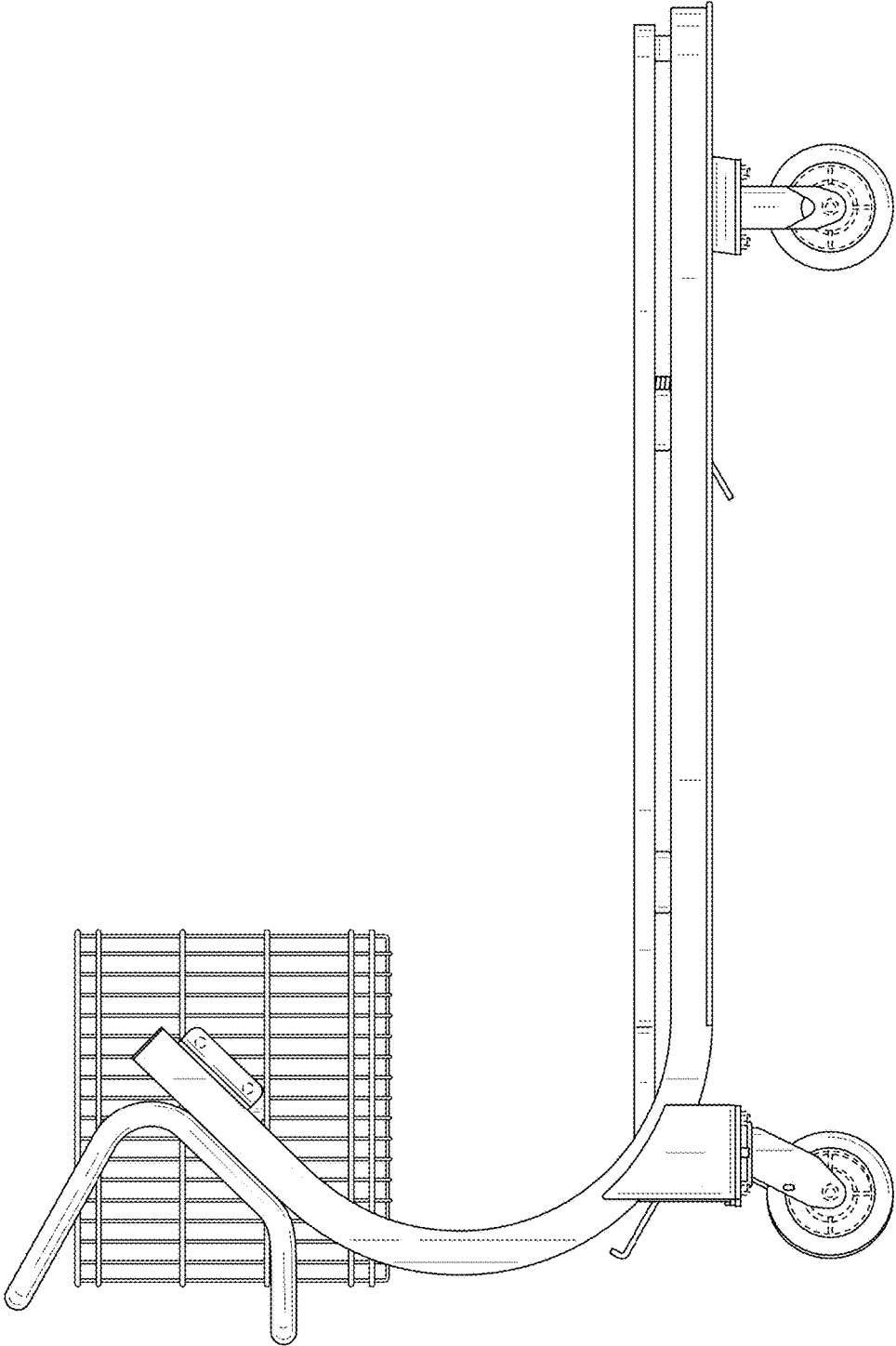


FIG. 2

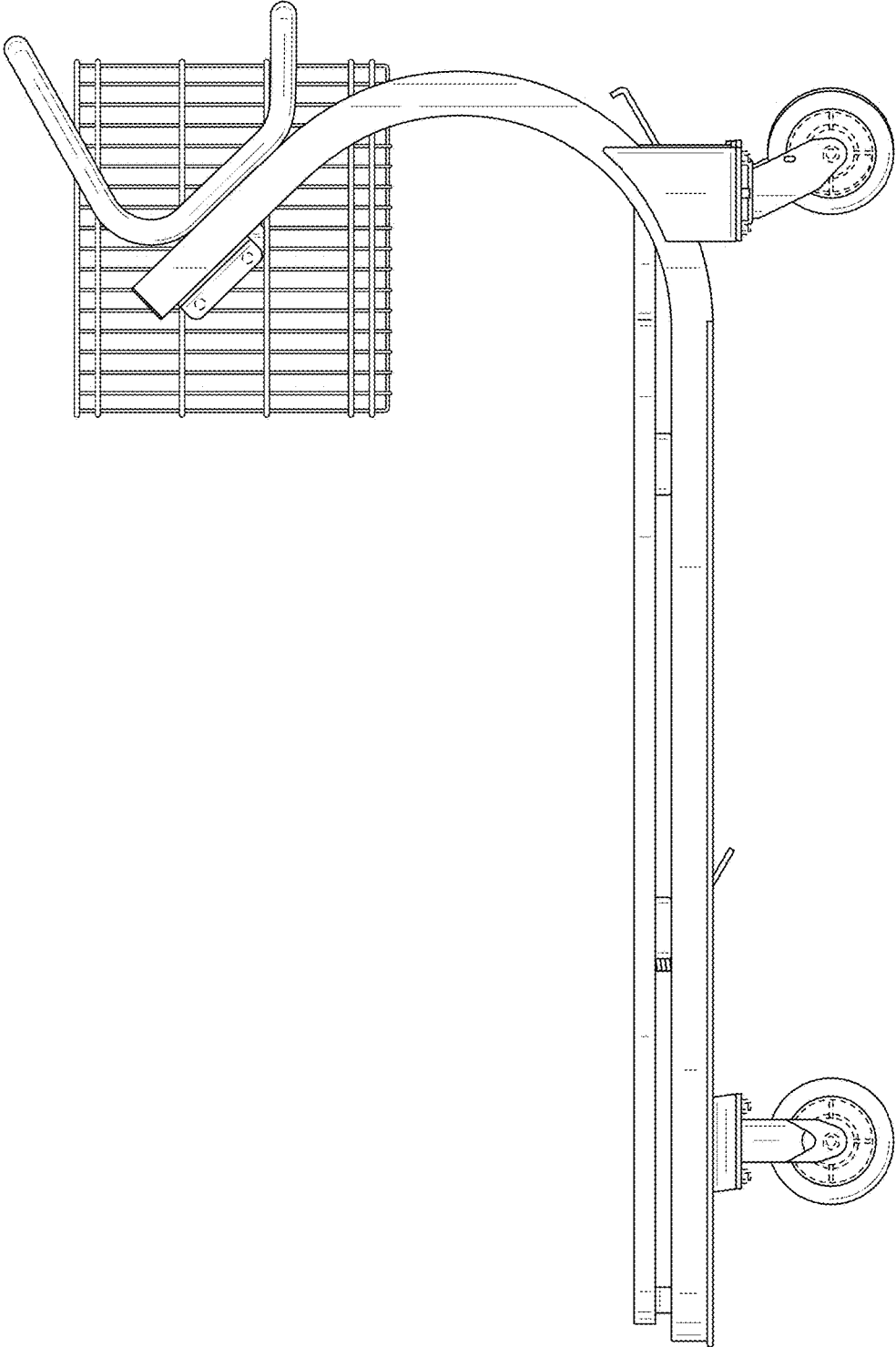


FIG. 3

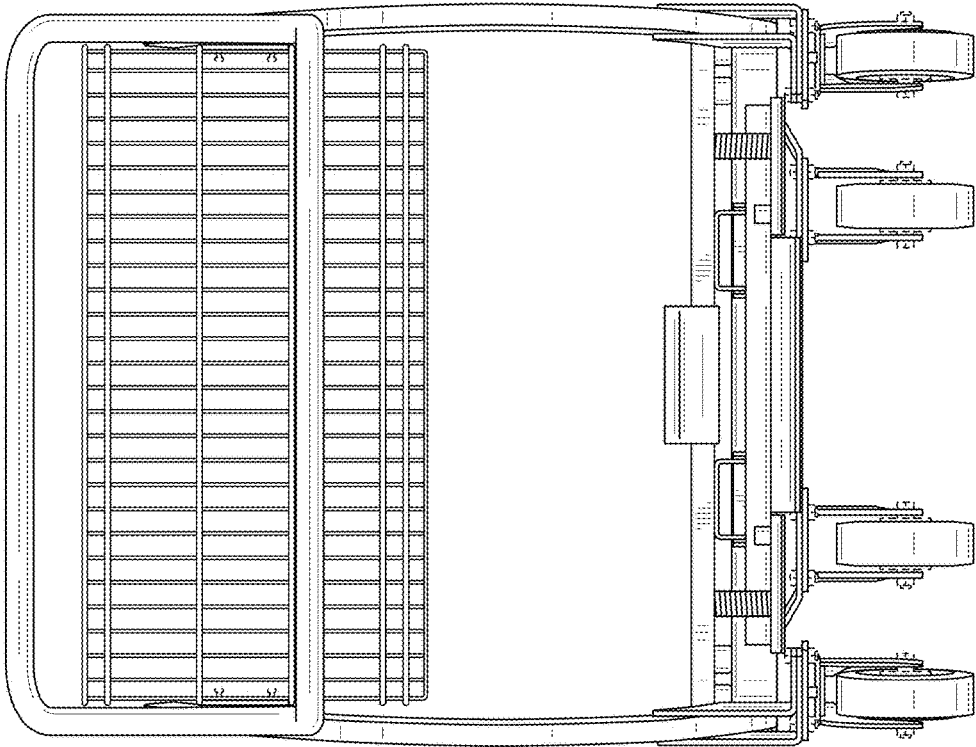


FIG. 4

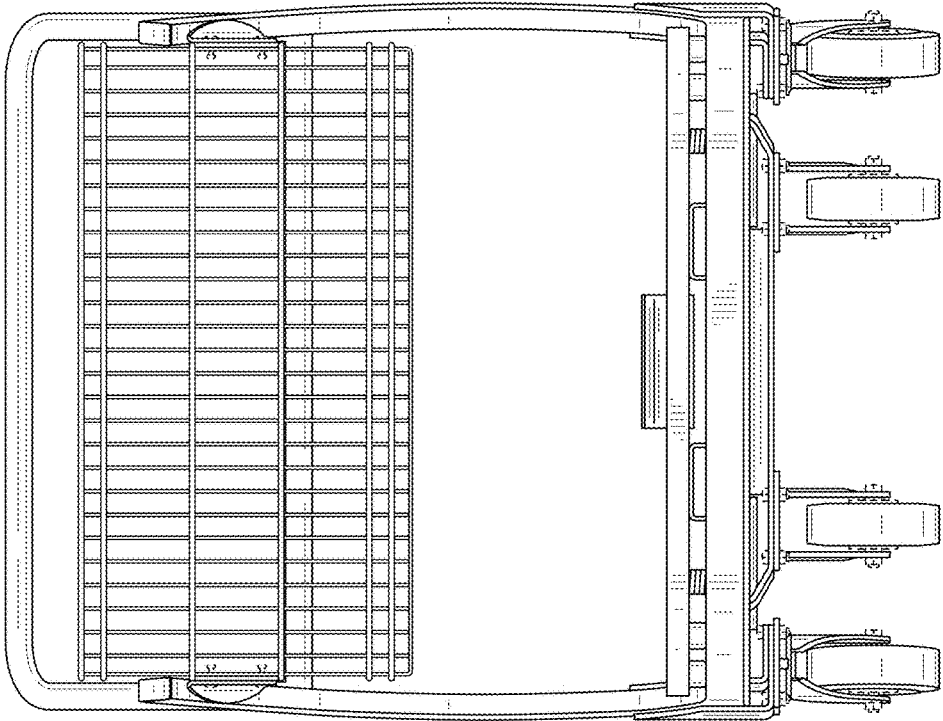


FIG. 5

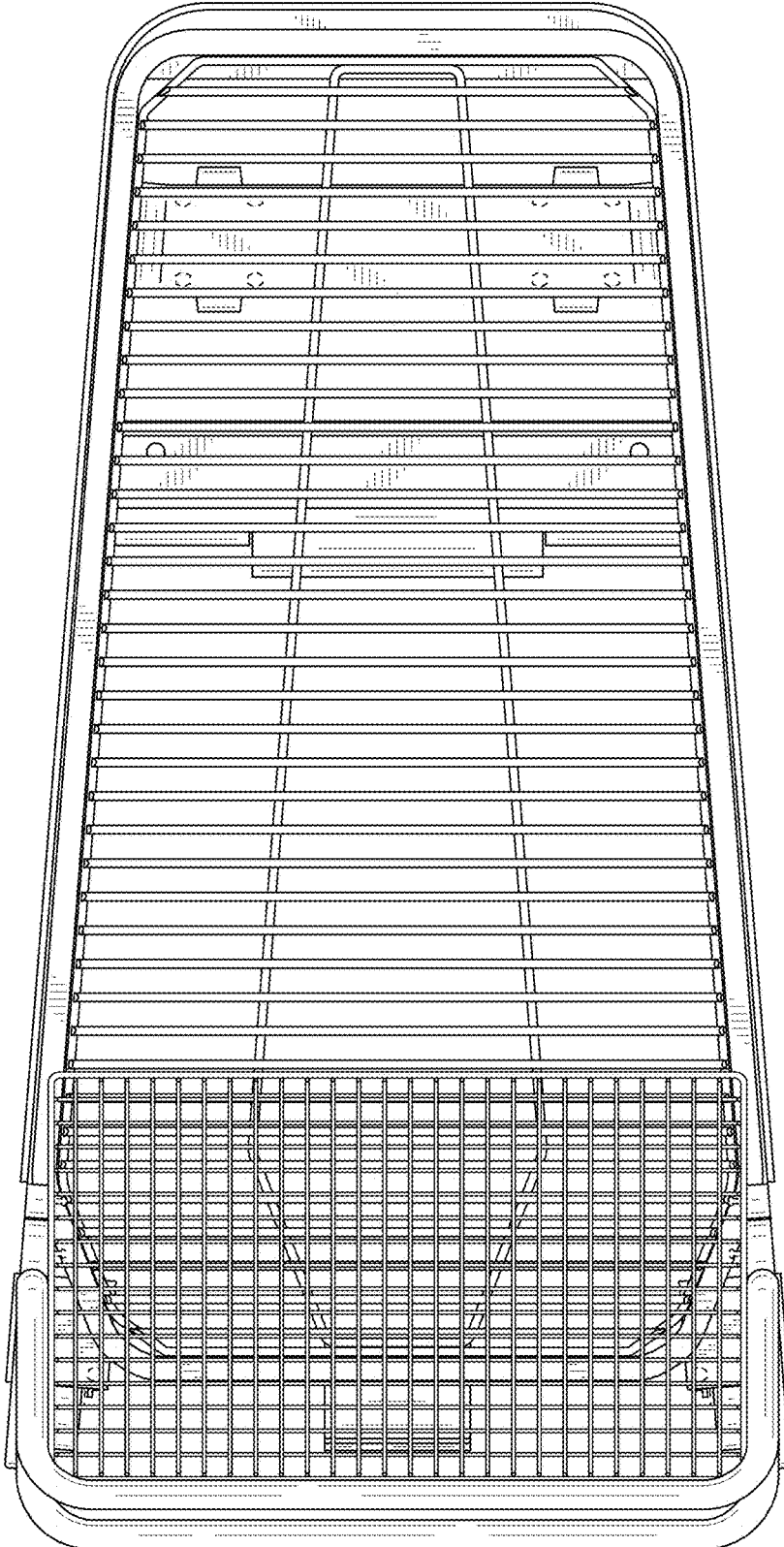


FIG. 6

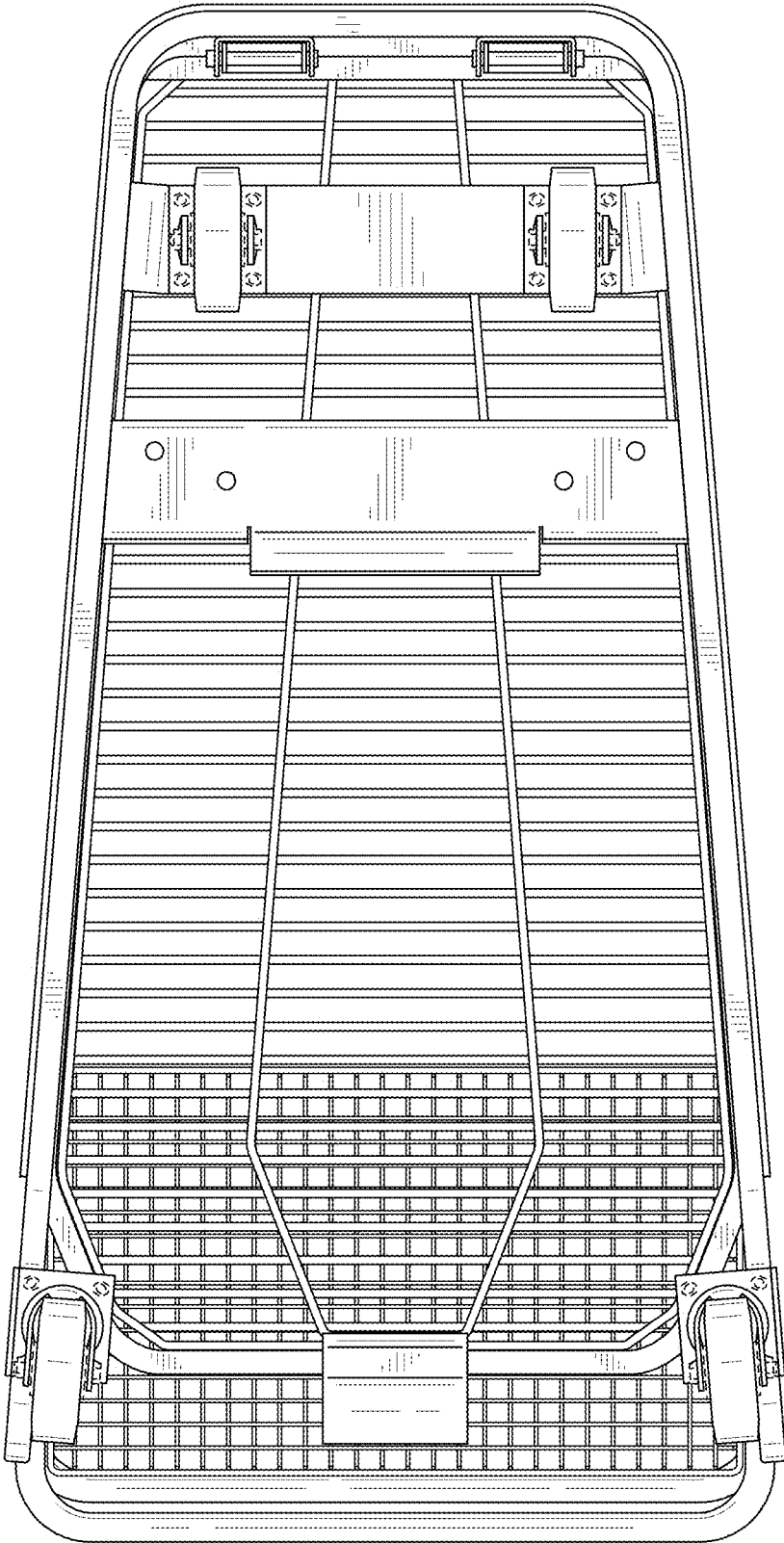


FIG. 7