



- (51) International Patent Classification:
E04B 1/28 (2006.01) E04B 2/96 (2006.01)
E04B 2/56 (2006.01) E04B 2/74 (2006.01)
- (21) International Application Number: PCT/IB2013/059918
- (22) International Filing Date: 5 November 2013 (05.11.2013)
- (25) Filing Language: Italian
- (26) Publication Language: English
- (30) Priority Data: BS2012A000157 5 November 2012 (05.11.2012) IT
- (71) Applicant: TOP GLASS EU SA [CH/CH]; Via Cantonale 16, CH-6348 Lugano (CH).
- (72) Inventor; and
- (71) Applicant : BERTOLDINI, Augusto [IT/IT]; Via Risorgimento, 32, I-23834 Premana (lecco) (IT).
- (72) Inventor: BRANCA, Alfonso; Via Duccio di Boninsegna, 12, I-20145 Milano (IT).
- (74) Agent: SUTTO, Luca; C/o Ponzellini Gioia E Associati S.r.l., Via Mascheroni, 31, I-20145 Milano (IT).
- (81) Designated States (unless otherwise indicated, for every kind of national protection available): AE, AG, AL, AM, AO, AT, AU, AZ, BA, BB, BG, BH, BN, BR, BW, BY, BZ, CA, CH, CL, CN, CO, CR, CU, CZ, DE, DK, DM, DO, DZ, EC, EE, EG, ES, FI, GB, GD, GE, GH, GM, GT, HN, HR, HU, ID, IL, IN, IR, IS, JP, KE, KG, KN, KP, KR, KZ, LA, LC, LK, LR, LS, LT, LU, LY, MA, MD, ME, MG, MK, MN, MW, MX, MY, MZ, NA, NG, NI, NO, NZ, OM, PA, PE, PG, PH, PL, PT, QA, RO, RS, RU, RW, SA, SC, SD, SE, SG, SK, SL, SM, ST, SV, SY, TH, TJ, TM, TN, TR, TT, TZ, UA, UG, US, UZ, VC, VN, ZA, ZM, ZW.
- (84) Designated States (unless otherwise indicated, for every kind of regional protection available): ARIPO (BW, GH, GM, KE, LR, LS, MW, MZ, NA, RW, SD, SL, SZ, TZ,

[Continued on next page]

(54) Title: SUPPORT FRAMEWORK FOR BUILDING CASING, BUILDING CASING, BUILDING STRUCTURE AND METHOD FOR MANUFACTURING THEREOF

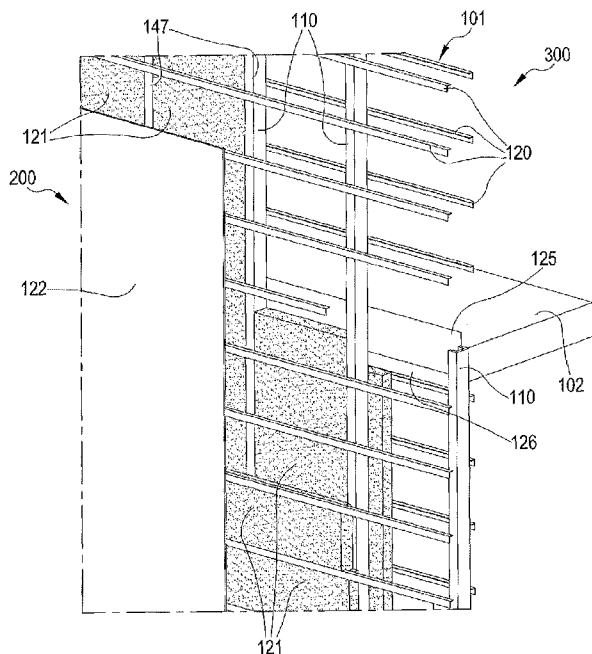


FIG.40

(57) Abstract: A support framework (101) for building casings (200) using pultruded uprights, a building casing (200) and a building structure (300). Also described are a process for realizing and installation of the building structure (300), as well as manufacturing processes of the various components of the framework.





UG, ZM, ZW), Eurasian (AM, AZ, BY, KG, KZ, RU, TJ, TM), European (AL, AT, BE, BG, CH, CY, CZ, DE, DK, EE, ES, FI, FR, GB, GR, HR, HU, IE, IS, IT, LT, LU, LV, MC, MK, MT, NL, NO, PL, PT, RO, RS, SE, SI, SK, SM, TR), OAPI (BF, BJ, CF, CG, CI, CM, GA, GN, GQ, GW, KM, ML, MR, NE, SN, TD, TG).

— *before the expiration of the time limit for amending the claims and to be republished in the event of receipt of amendments (Rule 48.2(h))*

(88) Date of publication of the international search report:

24 July 2014

Published:

— *with international search report (Art. 21(3))*

INTERNATIONAL SEARCH REPORT

International application No PCT/IB2013/059918

A. CLASSIFICATION OF SUBJECT MATTER INV. E04B1/28 E04B2/56 E04B2/96 ADD. E04B2/74				
According to International Patent Classification (IPC) or to both national classification and IPC				
B. FIELDS SEARCHED				
Minimum documentation searched (classification system followed by classification symbols) E04B				
Documentation searched other than minimum documentation to the extent that such documents are included in the fields searched				
Electronic data base consulted during the international search (name of data base and, where practicable, search terms used) EPO-Internal, WPI Data				
C. DOCUMENTS CONSIDERED TO BE RELEVANT				
Category*	Citation of document, with indication, where appropriate, of the relevant passages	Relevant to claim No.		
X	US 2006/254167 A1 (ANTONIC JAMES P [US]) 16 November 2006 (2006-11-16) paragraph [0004]; figures 1,2,5,6,22,34 paragraph [0047] - paragraph [0068] paragraph [0079] - paragraph [0082] -----	1-86, 364-375		
X	US 2008/307739 A1 (CLUCAS SCOTT [US]) 18 December 2008 (2008-12-18) paragraph [0031] - paragraph [0035]; figures 2,4,5,5A,5B -----	364,365, 370,371, 374		
X	EP 1 621 692 A1 (RIGUELLE M JACQUES [BE]) 1 February 2006 (2006-02-01) paragraph [0036] - paragraph [0038]; figure 1 ----- -/--	1-86		
<input checked="" type="checkbox"/> Further documents are listed in the continuation of Box C. <input checked="" type="checkbox"/> See patent family annex.				
* Special categories of cited documents : <table style="width: 100%; border: none;"> <tr> <td style="width: 50%; border: none; vertical-align: top;"> "A" document defining the general state of the art which is not considered to be of particular relevance "E" earlier application or patent but published on or after the international filing date "L" document which may throw doubts on priority claim(s) or which is cited to establish the publication date of another citation or other special reason (as specified) "O" document referring to an oral disclosure, use, exhibition or other means "P" document published prior to the international filing date but later than the priority date claimed </td> <td style="width: 50%; border: none; vertical-align: top;"> "T" later document published after the international filing date or priority date and not in conflict with the application but cited to understand the principle or theory underlying the invention "X" document of particular relevance; the claimed invention cannot be considered novel or cannot be considered to involve an inventive step when the document is taken alone "Y" document of particular relevance; the claimed invention cannot be considered to involve an inventive step when the document is combined with one or more other such documents, such combination being obvious to a person skilled in the art "&" document member of the same patent family </td> </tr> </table>			"A" document defining the general state of the art which is not considered to be of particular relevance "E" earlier application or patent but published on or after the international filing date "L" document which may throw doubts on priority claim(s) or which is cited to establish the publication date of another citation or other special reason (as specified) "O" document referring to an oral disclosure, use, exhibition or other means "P" document published prior to the international filing date but later than the priority date claimed	"T" later document published after the international filing date or priority date and not in conflict with the application but cited to understand the principle or theory underlying the invention "X" document of particular relevance; the claimed invention cannot be considered novel or cannot be considered to involve an inventive step when the document is taken alone "Y" document of particular relevance; the claimed invention cannot be considered to involve an inventive step when the document is combined with one or more other such documents, such combination being obvious to a person skilled in the art "&" document member of the same patent family
"A" document defining the general state of the art which is not considered to be of particular relevance "E" earlier application or patent but published on or after the international filing date "L" document which may throw doubts on priority claim(s) or which is cited to establish the publication date of another citation or other special reason (as specified) "O" document referring to an oral disclosure, use, exhibition or other means "P" document published prior to the international filing date but later than the priority date claimed	"T" later document published after the international filing date or priority date and not in conflict with the application but cited to understand the principle or theory underlying the invention "X" document of particular relevance; the claimed invention cannot be considered novel or cannot be considered to involve an inventive step when the document is taken alone "Y" document of particular relevance; the claimed invention cannot be considered to involve an inventive step when the document is combined with one or more other such documents, such combination being obvious to a person skilled in the art "&" document member of the same patent family			
Date of the actual completion of the international search	Date of mailing of the international search report			
31 March 2014	10/06/2014			
Name and mailing address of the ISA/ European Patent Office, P.B. 5818 Patentlaan 2 NL - 2280 HV Rijswijk Tel. (+31-70) 340-2040, Fax: (+31-70) 340-3016	Authorized officer Galanti, Flavio			

INTERNATIONAL SEARCH REPORT

International application No.
PCT/IB2013/059918

Box No. II Observations where certain claims were found unsearchable (Continuation of item 2 of first sheet)

This international search report has not been established in respect of certain claims under Article 17(2)(a) for the following reasons:

1. Claims Nos.:
because they relate to subject matter not required to be searched by this Authority, namely:

2. Claims Nos.:
because they relate to parts of the international application that do not comply with the prescribed requirements to such an extent that no meaningful international search can be carried out, specifically:

3. Claims Nos.:
because they are dependent claims and are not drafted in accordance with the second and third sentences of Rule 6.4(a).

Box No. III Observations where unity of invention is lacking (Continuation of item 3 of first sheet)

This International Searching Authority found multiple inventions in this international application, as follows:

see additional sheet

1. As all required additional search fees were timely paid by the applicant, this international search report covers all searchable claims.
2. As all searchable claims could be searched without effort justifying an additional fees, this Authority did not invite payment of additional fees.
3. As only some of the required additional search fees were timely paid by the applicant, this international search report covers only those claims for which fees were paid, specifically claims Nos.:
4. No required additional search fees were timely paid by the applicant. Consequently, this international search report is restricted to the invention first mentioned in the claims; it is covered by claims Nos.:

1-86, 364-375

Remark on Protest

- The additional search fees were accompanied by the applicant's protest and, where applicable, the payment of a protest fee.
- The additional search fees were accompanied by the applicant's protest but the applicable protest fee was not paid within the time limit specified in the invitation.
- No protest accompanied the payment of additional search fees.

INTERNATIONAL SEARCH REPORT

International application No PCT/IB2013/059918

C(Continuation). DOCUMENTS CONSIDERED TO BE RELEVANT

Category*	Citation of document, with indication, where appropriate, of the relevant passages	Relevant to claim No.
X	US 1 818 418 A (MILLARD EMMOR H) 11 August 1931 (1931-08-11) page 1, line 59 - page 3, line 23; figure 1 -----	1-86
X	US 5 846 018 A (FROBOSILO RAYMOND C [US] ET AL) 8 December 1998 (1998-12-08) column 3, line 9 - line 44; figures 2,4 -----	1-86
X	US 4 121 391 A (SCHROEDER DONALD EARL) 24 October 1978 (1978-10-24) column 2, line 11 - column 3, line 22; figure 1 -----	1-86

FURTHER INFORMATION CONTINUED FROM PCT/ISA/ 210

This International Searching Authority found multiple (groups of) inventions in this international application, as follows:

1. claims: 1-86, 364-375

A support framework comprising a plurality of uprights and connected by constraining elements

1.1. claims: 364-375

A wall structure comprising a plurality of uprights and a plurality of closure panels

2. claims: 87-179

A support framework comprising a plurality of uprights and at least a projecting element whereby a connecting device engages a first end of the projecting element with an upright

3. claims: 180-279

A support framework comprising a plurality of uprights and at least a stirrup

4. claims: 280-319, 362, 363

A connecting device for support frameworks

5. claims: 320-361

A stirrup for a support framework

INTERNATIONAL SEARCH REPORT

Information on patent family members

International application No PCT/IB2013/059918

Patent document cited in search report	Publication date	Patent family member(s)	Publication date
US 2006254167 A1	16-11-2006	US 2006254167 A1	16-11-2006
		US 2010071302 A1	25-03-2010
		US 2010095611 A1	22-04-2010
		US 2010095612 A1	22-04-2010
		WO 2006116417 A2	02-11-2006

US 2008307739 A1	18-12-2008	NONE	

EP 1621692 A1	01-02-2006	EP 1621692 A1	01-02-2006
		EP 1784544 A1	16-05-2007
		WO 2006008293 A1	26-01-2006

US 1818418 A	11-08-1931	NONE	

US 5846018 A	08-12-1998	NONE	

US 4121391 A	24-10-1978	NONE	
