



(12) **United States Design Patent**  
**Wersland et al.**

(10) **Patent No.:** **US D949,400 S**  
(45) **Date of Patent:** **\*\* Apr. 19, 2022**

(54) **VIBRATION THERAPY DEVICE**  
(71) Applicant: **FLEXIR RECOVERY, LLC**, West Hollywood, CA (US)

D920,531 S \* 5/2021 Xu ..... D24/215  
D920,532 S \* 5/2021 Xu ..... D24/215  
D921,215 S \* 6/2021 Xu ..... D24/215  
(Continued)

(72) Inventors: **Jason Wersland**, Manhattan Beach, CA (US); **Benjamin Nazarian**, Beverly Hills, CA (US); **Jaime Sanchez Solana**, Los Angeles, CA (US); **Eduardo Merino**, Beverly Hills, CA (US)

**OTHER PUBLICATIONS**

Bestbuy, "Flexir Recovery Muscle Massager", Oct. 5, 2021. <https://www.bestbuy.com/site/flexir-recovery-muscle-massager-black/6469987.p?skuld=6469987&ref=212&loc=1>. Shown on p. 1. (Year: 2021).\*

(73) Assignee: **FLEXIR RECOVERY, LLC**, West Hollywood, CA (US)

*Primary Examiner* — Michael A Maharajh  
(74) *Attorney, Agent, or Firm* — Jeffer Mangels Butler & Mitchell LLP; Brennan C. Swain, Esq.

(\*\*) Term: **15 Years**

(21) Appl. No.: **29/739,186**

(57) **CLAIM**

The ornamental design for a vibration therapy device, as shown and described.

(22) Filed: **Jun. 23, 2020**  
(51) **LOC (13) Cl.** ..... **28-03**  
(52) **U.S. Cl.**  
USPC ..... **D24/215**

**DESCRIPTION**

(58) **Field of Classification Search**  
USPC ..... D24/200, 211, 212, 213, 214, 215; D8/14.1; D28/13  
CPC ..... A61H 15/0085; A61H 23/0263; A61H 1/008; A61H 15/00; A61H 1/006; A61H 2201/1635; A61H 15/02  
See application file for complete search history.

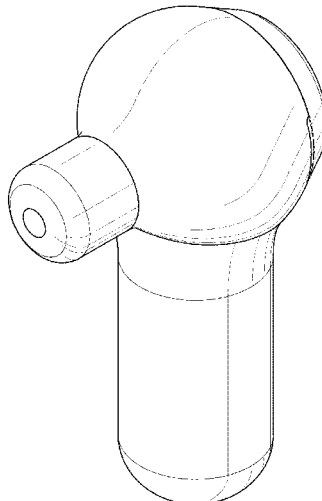
FIG. 1 is a perspective view of a vibration therapy device, showing our new design;  
FIG. 2 is a front elevational view thereof;  
FIG. 3 is a rear elevational view thereof;  
FIG. 4 is a right side elevational view thereof, the left side elevational view being a mirror image thereof;  
FIG. 5 is a top plan view thereof;  
FIG. 6 is a bottom plan view thereof;  
FIG. 7 is a perspective view of a vibration therapy device, showing our new design;  
FIG. 8 is a front elevational view thereof;  
FIG. 9 is a rear elevational view thereof;  
FIG. 10 is a right side elevational view thereof, the left side elevational view being a mirror image thereof;  
FIG. 11 is a top plan view thereof; and,  
FIG. 12 is a bottom plan view thereof.  
The broken lines shown in the figures are for the purpose of illustrating portions of the vibration therapy device that form no part of the claimed design.

(56) **References Cited**

**U.S. PATENT DOCUMENTS**

D356,162 S \* 3/1995 Spahr ..... D24/215  
D478,385 S \* 8/2003 Dirks ..... D24/215  
D837,636 S \* 1/2019 Wersland ..... D8/356  
D847,364 S \* 4/2019 Lee ..... D24/215  
D855,822 S 8/2019 Marton  
D866,790 S \* 11/2019 Lee ..... D24/215  
10,492,984 B2 12/2019 Marton  
D874,015 S 1/2020 Marton  
10,561,574 B1 2/2020 Marton  
D886,317 S 6/2020 Marton  
D900,329 S \* 10/2020 Xu ..... D24/215  
D918,411 S \* 5/2021 Xu ..... D24/215

**1 Claim, 12 Drawing Sheets**



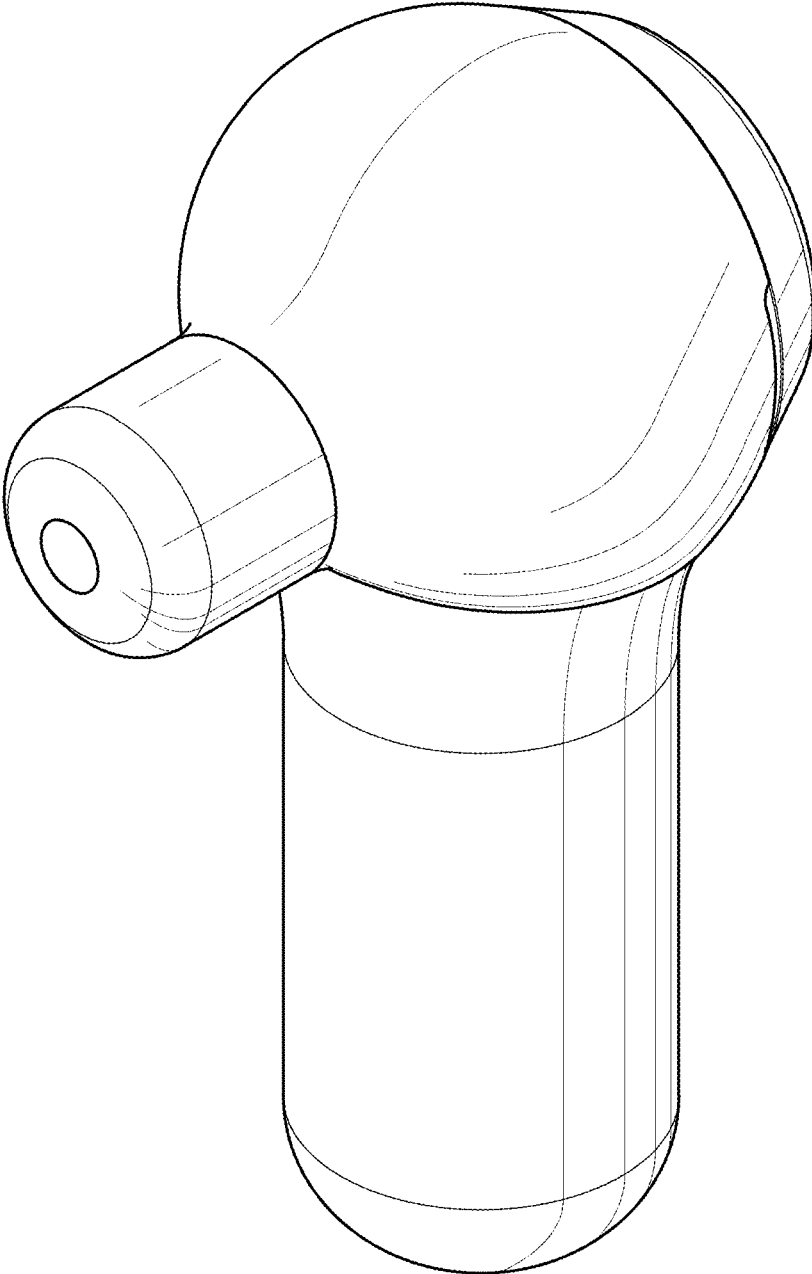
(56)

**References Cited**

U.S. PATENT DOCUMENTS

D924,424 S \* 7/2021 Wang ..... D24/215  
D925,751 S \* 7/2021 Wu ..... D24/211  
D932,038 S \* 9/2021 Park ..... D24/211  
D932,045 S \* 9/2021 Shen ..... D24/215  
2019/0254921 A1 8/2019 Marton  
2020/0000678 A1\* 1/2020 Kao ..... A61H 1/00  
2020/0085675 A1\* 3/2020 Lee ..... A61H 15/0085  
2020/0214930 A1\* 7/2020 Wersland ..... A61H 1/00  
2020/0352821 A1\* 11/2020 Wersland ..... A61H 23/0263  
2020/0405574 A1\* 12/2020 Wersland ..... A61H 1/008  
2021/0022955 A1\* 1/2021 Wersland ..... A61H 1/006  
2021/0059898 A1\* 3/2021 Wersland ..... A61H 15/00  
2021/0186800 A1\* 6/2021 Wersland ..... A61H 1/006

\* cited by examiner



*FIG. 1*

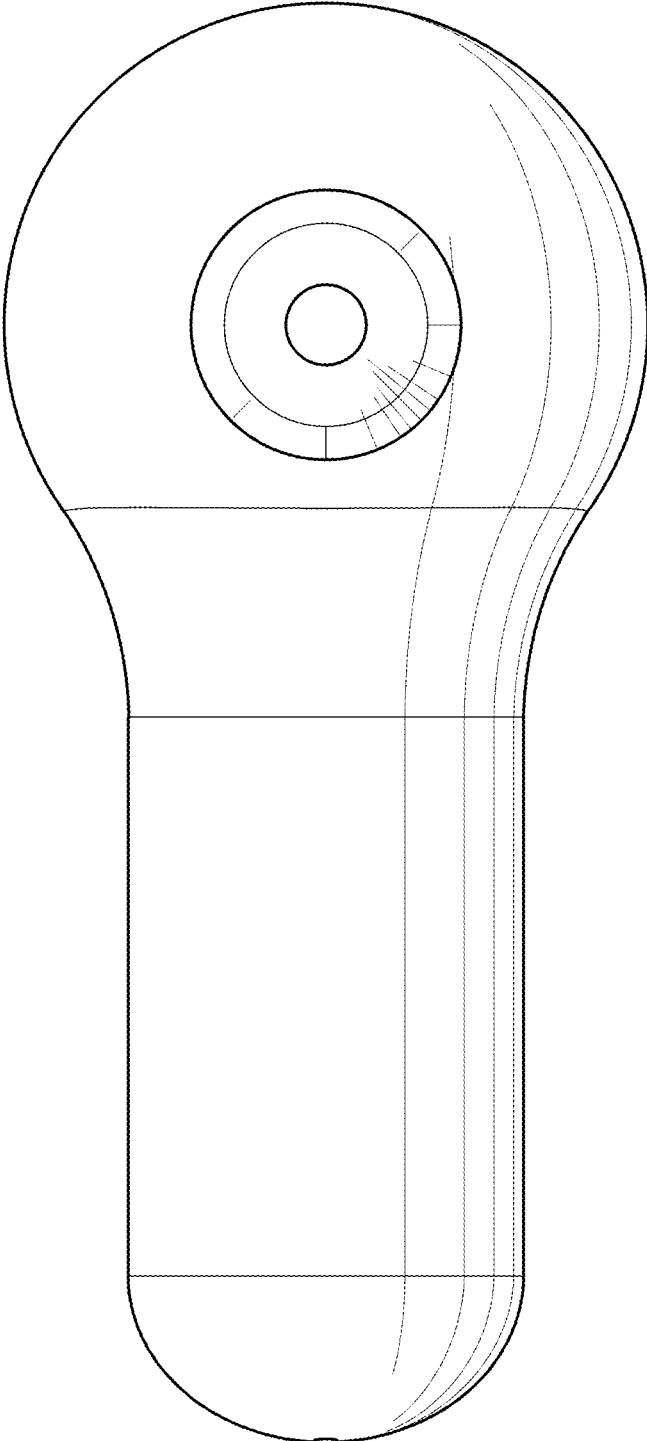
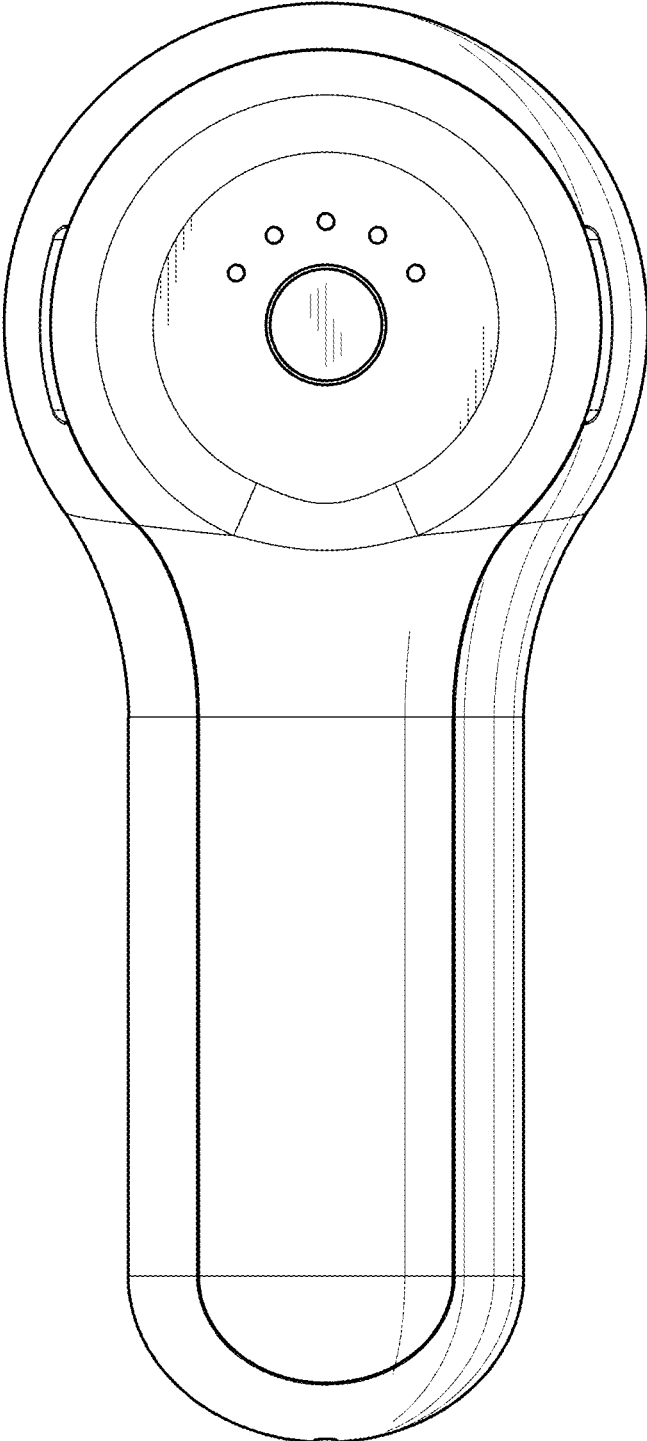


FIG. 2



*FIG. 3*

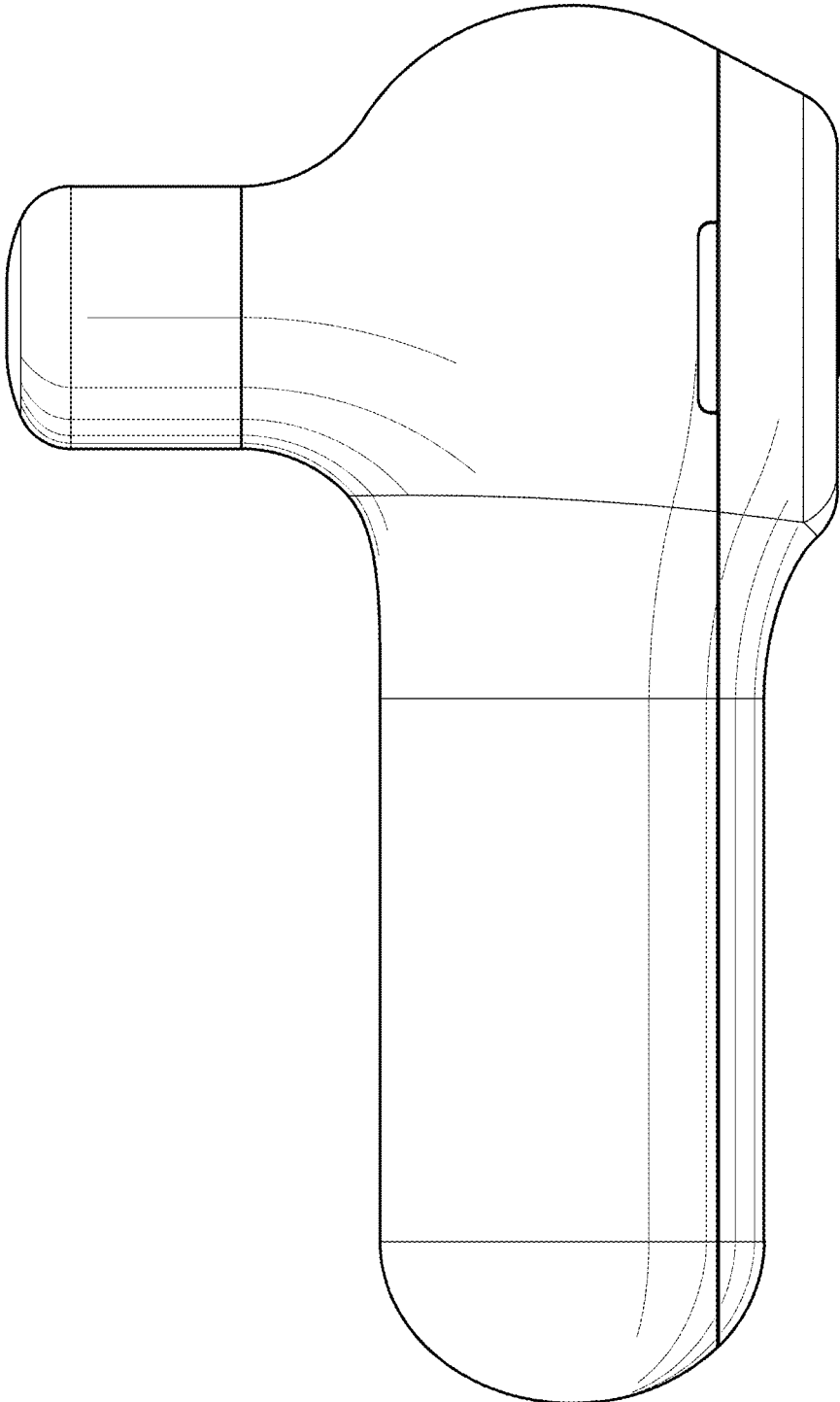
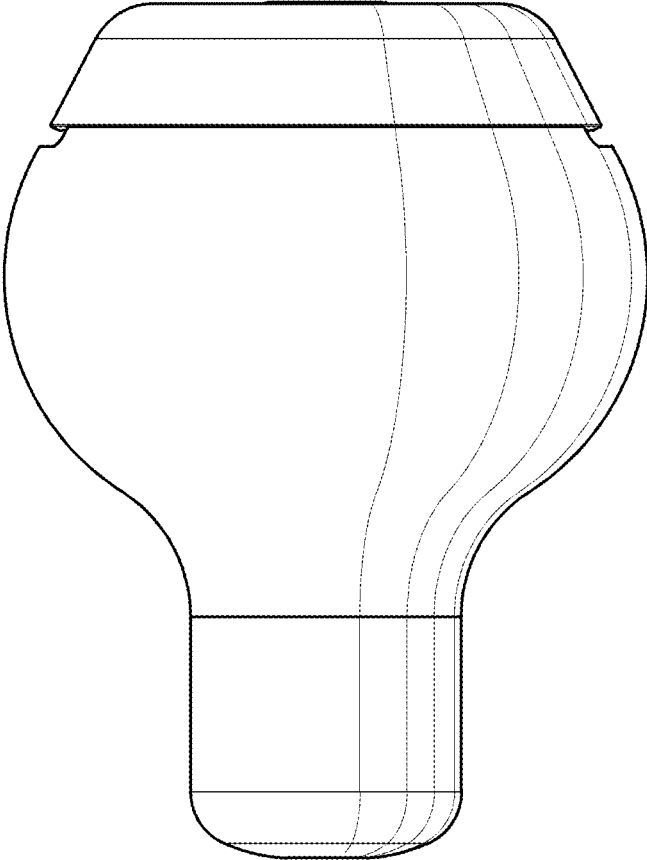
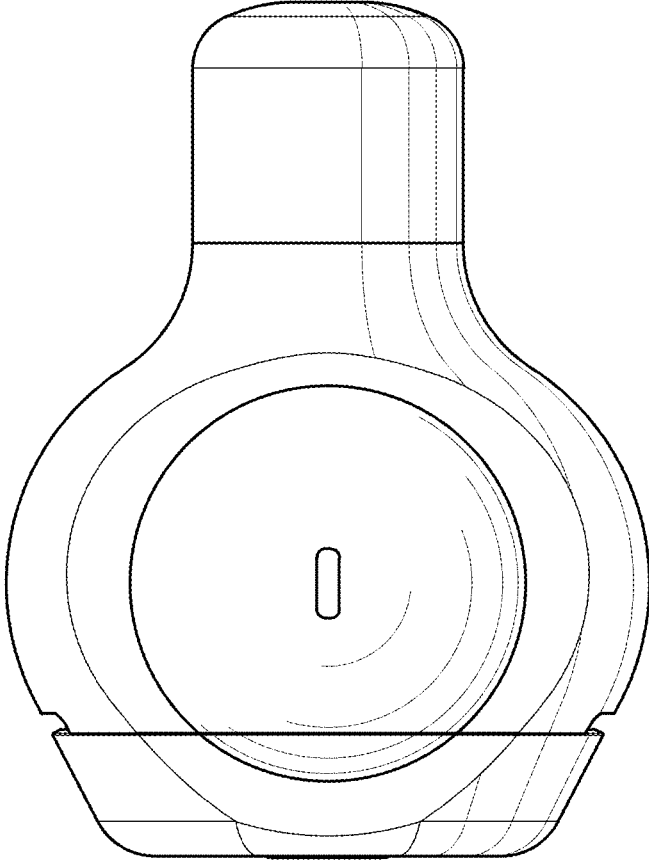


FIG. 4

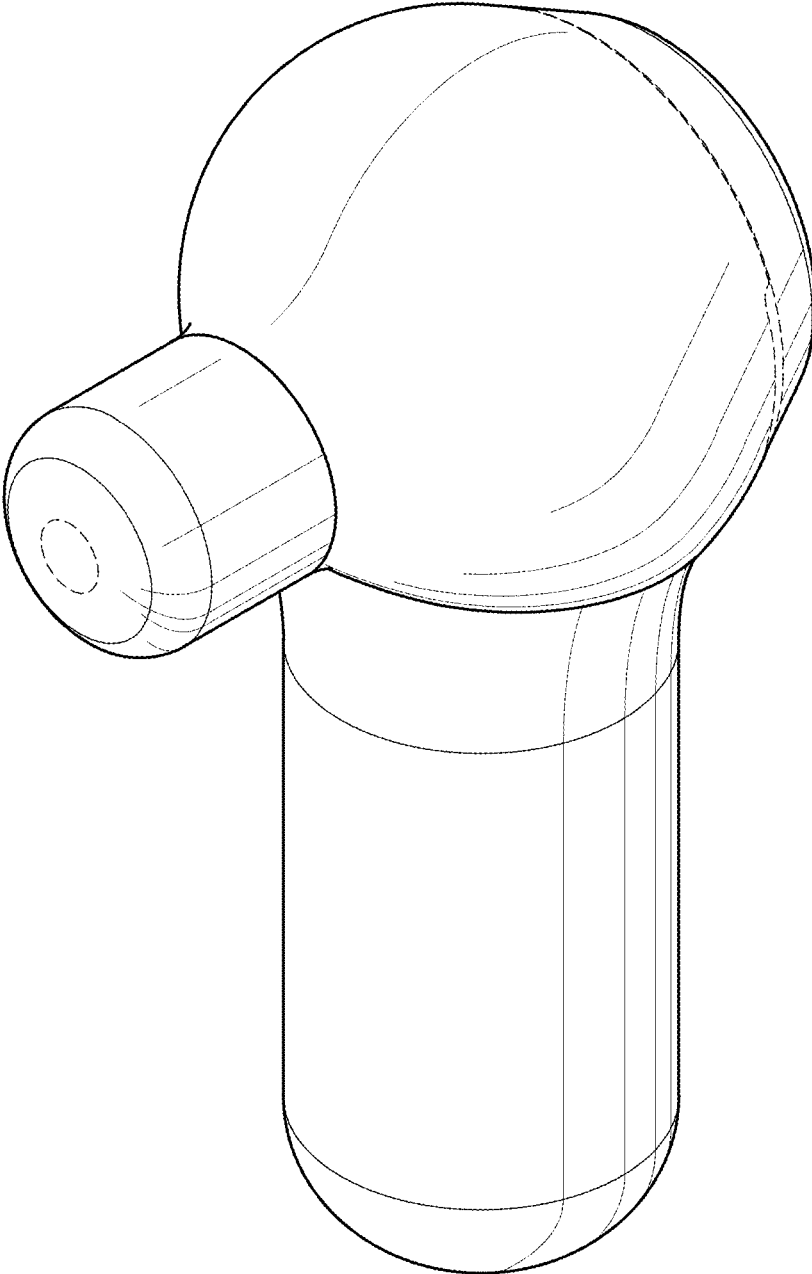


*FIG. 5*



*FIG. 6*





*FIG. 7*

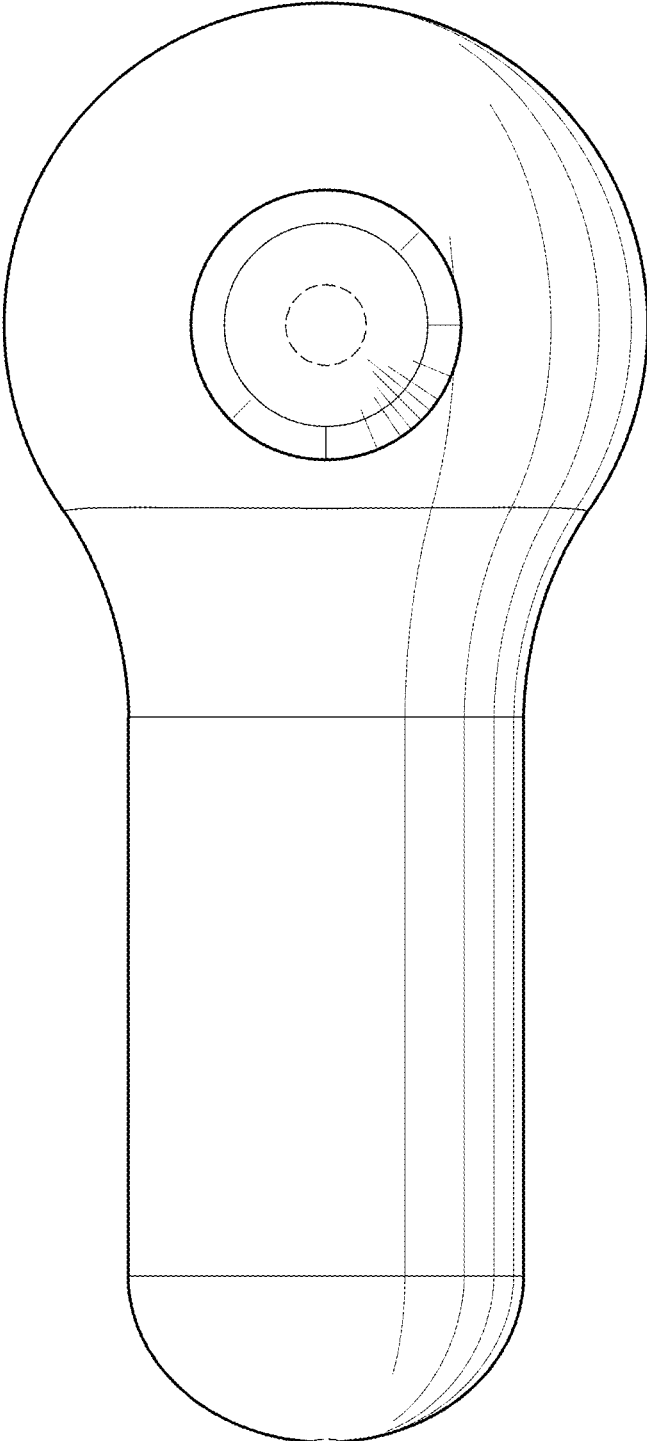


FIG. 8

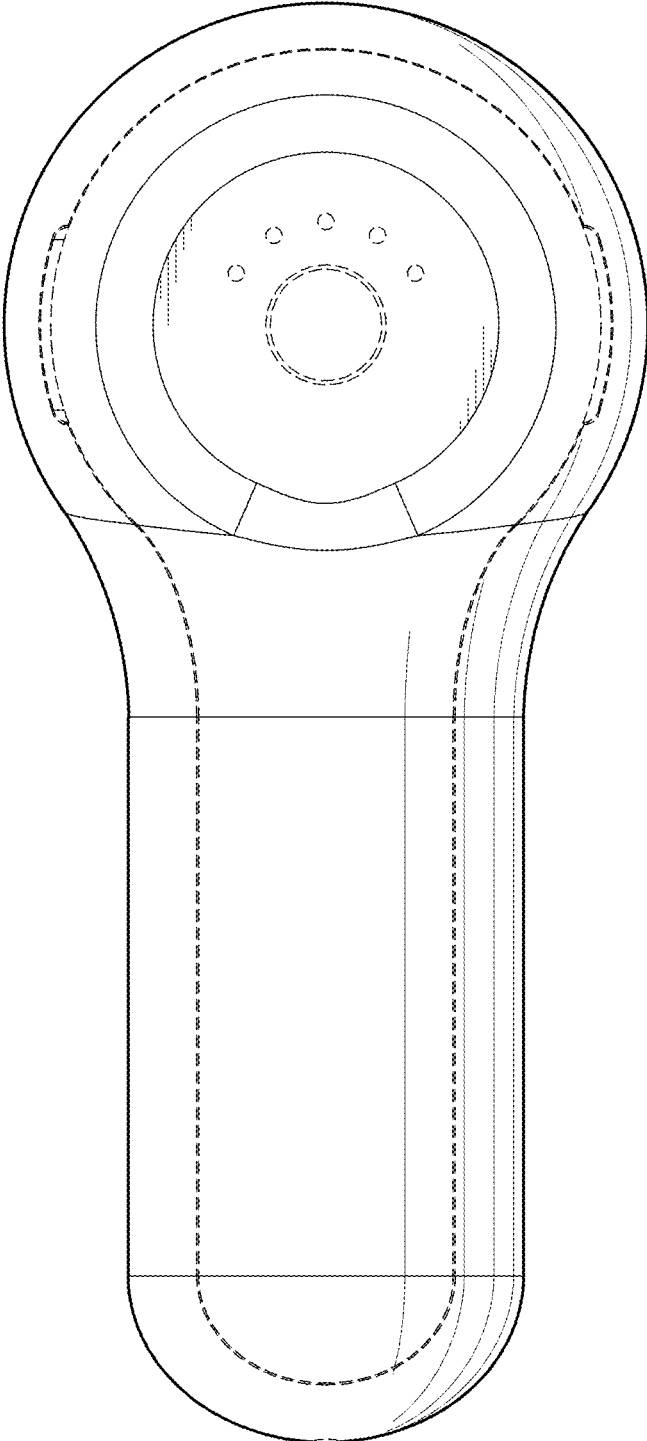


FIG. 9

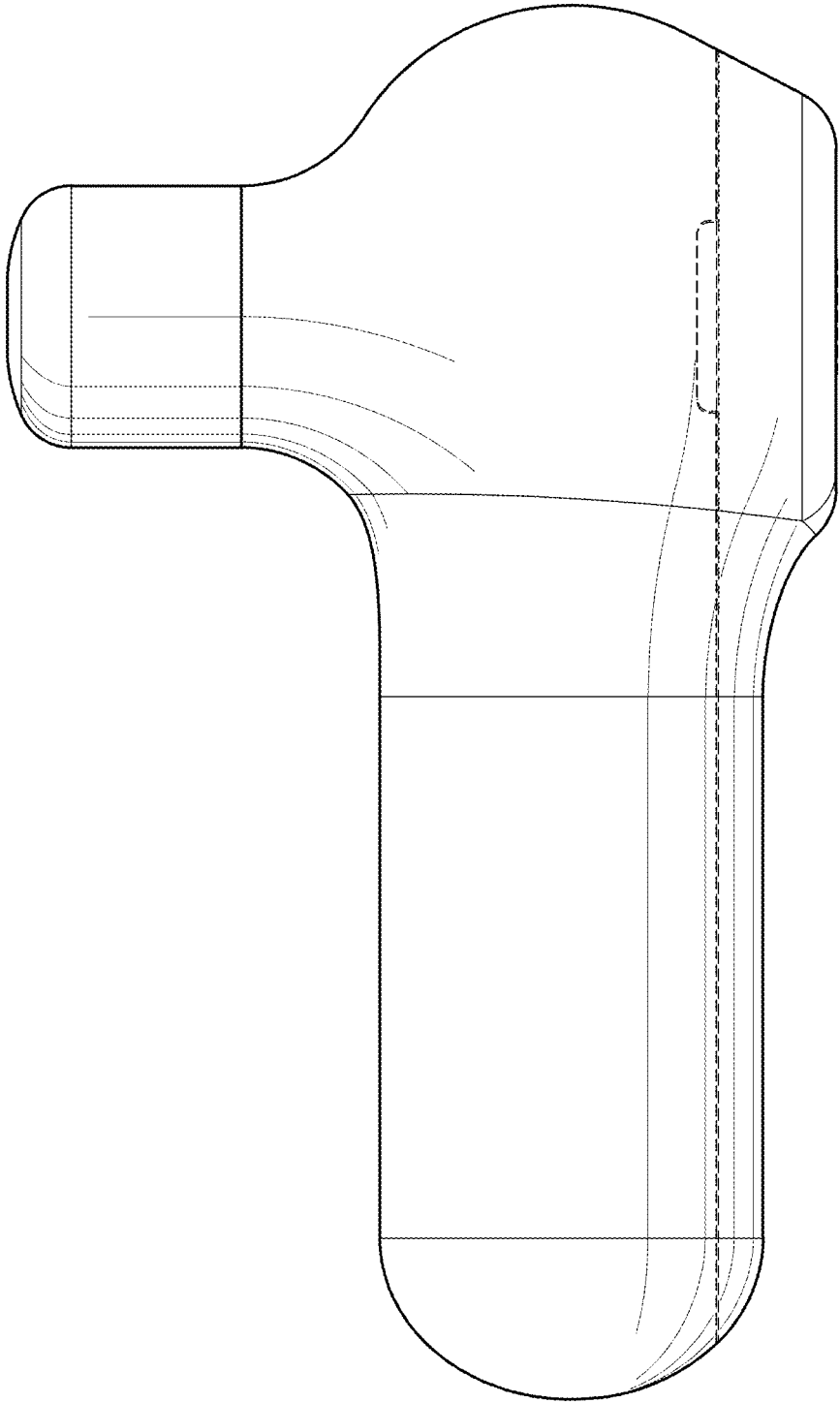
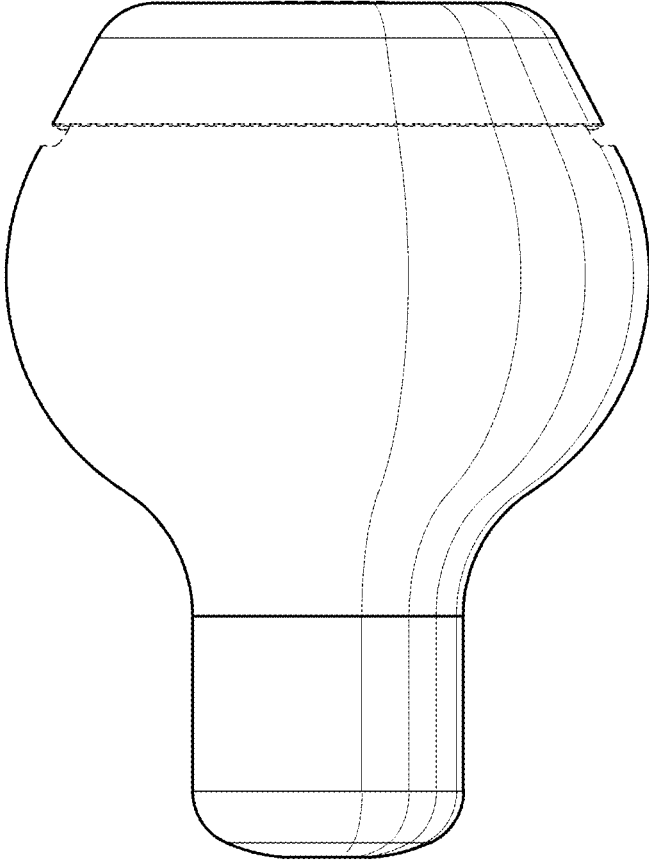
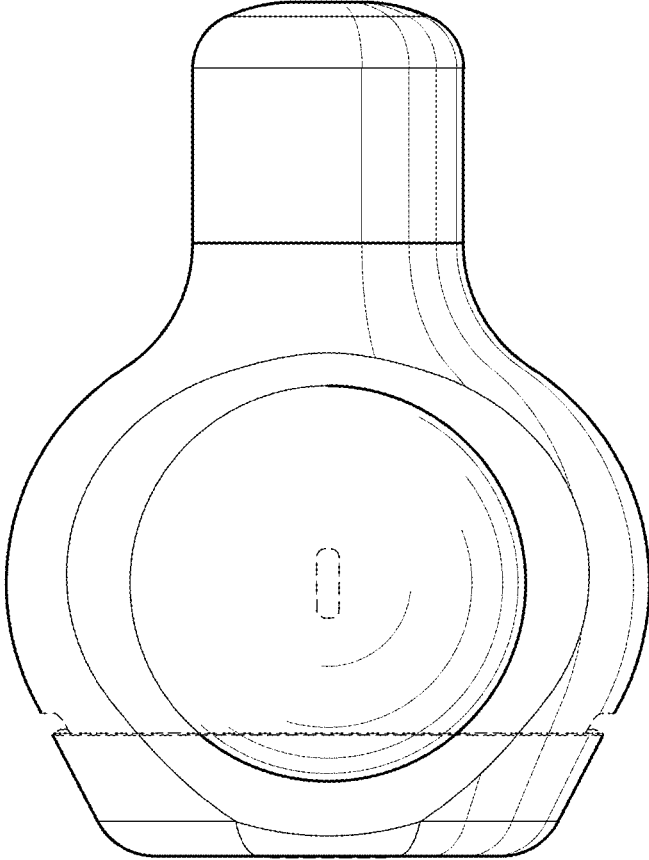


FIG. 10



*FIG. 11*



*FIG. 12*