



US00D929172S

(12) **United States Design Patent
Olds**

(10) **Patent No.:** **US D929,172 S**

(45) **Date of Patent:** **** Aug. 31, 2021**

(54) **TRAY**
(71) Applicant: **Melynnie D. Olds**, Grand Rivers, KY
(US)
(72) Inventor: **Melynnie D. Olds**, Grand Rivers, KY
(US)
(**) Term: **15 Years**

6,823,773 B2 * 11/2004 Swinford A47J 37/0694
99/426
D658,427 S * 5/2012 Cloutier D7/360
D709,727 S * 7/2014 Cloutier D7/363
D796,251 S * 9/2017 Dodane D7/360
D826,637 S * 8/2018 Thurlow D7/409
10,258,192 B1 * 4/2019 Cloutier A47J 36/16
D865,444 S * 11/2019 Young D7/402
D903,399 S * 12/2020 Xue D7/360

(Continued)

(21) Appl. No.: **29/720,061**
(22) Filed: **Jan. 9, 2020**
(51) **LOC (13) Cl.** **07-02**
(52) **U.S. Cl.**
USPC **D7/354**
(58) **Field of Classification Search**
USPC D7/323, 331, 352, 354, 355, 356, 357,
D7/358, 359, 360, 361, 362, 363, 364,
D7/365, 366, 372, 373, 376, 377, 402,
D7/409, 410, 412, 414, 611, 678, 679,
D7/753; D3/304; D9/736, 749, 755,
D9/758, 760, 456; D1/105, 123, 124
CPC .. A47J 29/00; A47J 29/02; A47J 29/06; A47J
36/00; A47J 36/02; A47J 36/06; A47J
36/16; A47J 36/24; A47J 36/022; A47J
36/027; A47J 37/00; A47J 37/01; A47J
37/04; A47J 37/06; A47J 37/10; A47J
37/07; A47J 43/20; A47G 19/28; F25D
2331/807; A21B 3/00; A21B 3/13; A21B
3/131; A21B 3/132; A21B 3/135; A21B
3/136; A21B 3/137; A21B 3/15; A21B
5/00; A21B 5/02; A21B 5/04
See application file for complete search history.

FOREIGN PATENT DOCUMENTS

EP 1459664 A1 * 9/2004 A47J 37/01

OTHER PUBLICATIONS

Stainless Steel Roasting Pan with Rack, announced Dec. 11, 2018
[online], retrieved Dec. 16, 2020, retrieved from internet, <https://www.homedepot.com/p/Stainless-Steel-Roasting-Pan-with-Rack-MW3553/304027323>.*

(Continued)

Primary Examiner — Dana K Weiland
Assistant Examiner — Messina L Smith

(57) **CLAIM**

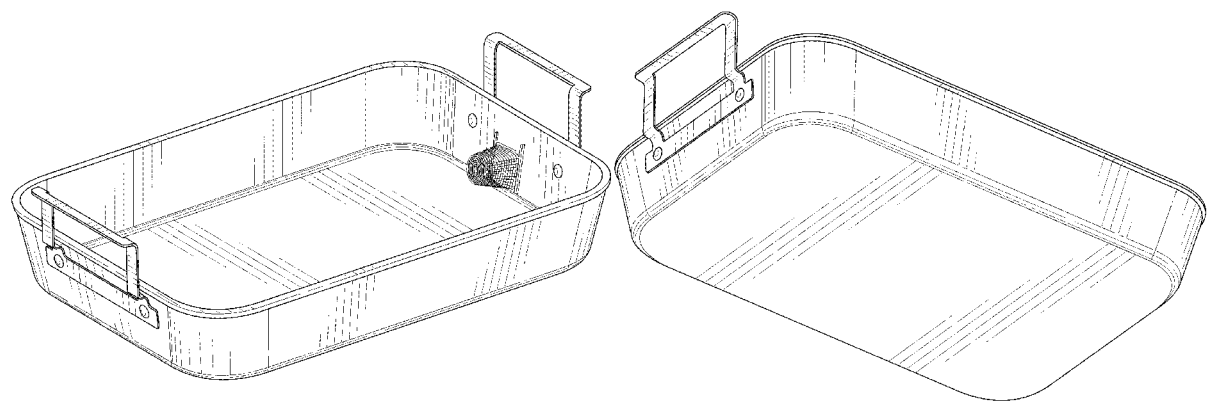
The ornamental design for a tray, as shown and described.

DESCRIPTION

FIG. 1 is a front-top perspective view of a tray showing my new design;
FIG. 2 is a front-bottom perspective view thereof;
FIG. 3 is a rear-top perspective view thereof;
FIG. 4 is a rear-bottom perspective view thereof;
FIG. 5 is a front elevational view thereof;
FIG. 6 is a rear elevational view thereof;
FIG. 7 is a left elevational view thereof;
FIG. 8 is a right elevational view thereof;
FIG. 9 is a top plan view thereof; and,
FIG. 10 is a bottom plan view thereof.

1 Claim, 10 Drawing Sheets

(56) **References Cited**
U.S. PATENT DOCUMENTS
2,046,973 A * 7/1936 Schroeder A47J 37/0676
99/425
D340,614 S * 10/1993 Kaeding D7/354
6,213,005 B1 * 4/2001 Sherman A47J 27/002
220/573.1



(56)

References Cited

U.S. PATENT DOCUMENTS

2003/0000396 A1* 1/2003 Leonard A47J 43/287
99/482
2007/0181006 A1* 8/2007 Measom A47J 43/18
99/345
2008/0060530 A1* 3/2008 Tetreault B29C 33/14
99/355
2018/0078088 A1* 3/2018 Mirchandani A47J 36/025
2019/0350406 A1* 11/2019 Swayne A47J 37/067

OTHER PUBLICATIONS

Tramontina 80203/003DS Gourmet Stainless Steel Rectangular Roasting Pan, announced Nov. 21, 2012 [online], retrieved Dec. 16, 2020, retrieved from internet, <https://www.amazon.com/Tramontina-80203-003DS-Rectangular-Stainless/dp/B00KMDM2MO>.
Zwilling Ceramic Roasting Pan, announced ©2020 [online], retrieved Dec. 16, 2020, retrieved from internet, <https://thebakerspin.com/zwilling-ceramic-roasting-pan-polished.html>.

* cited by examiner

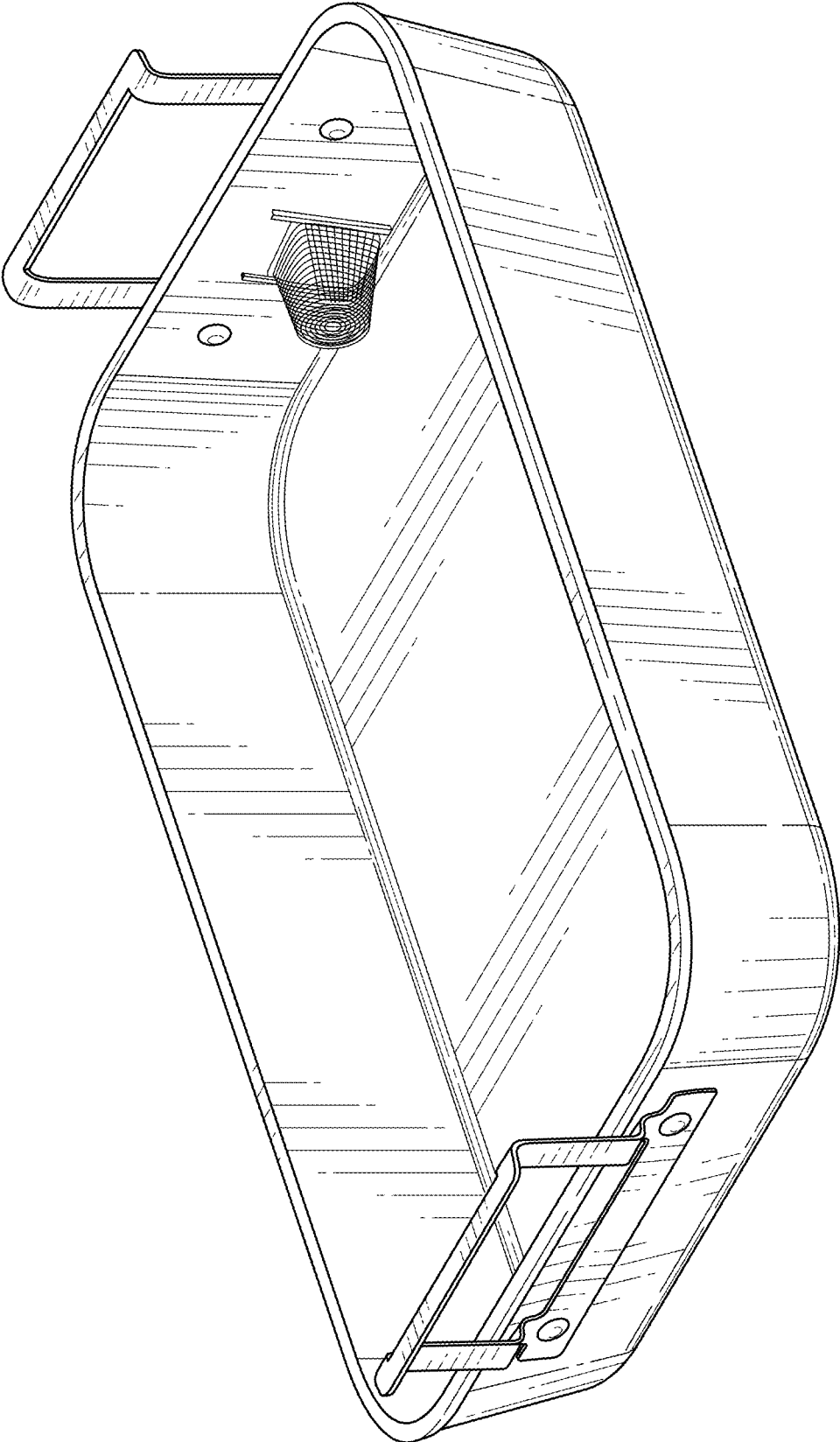


FIG. 1

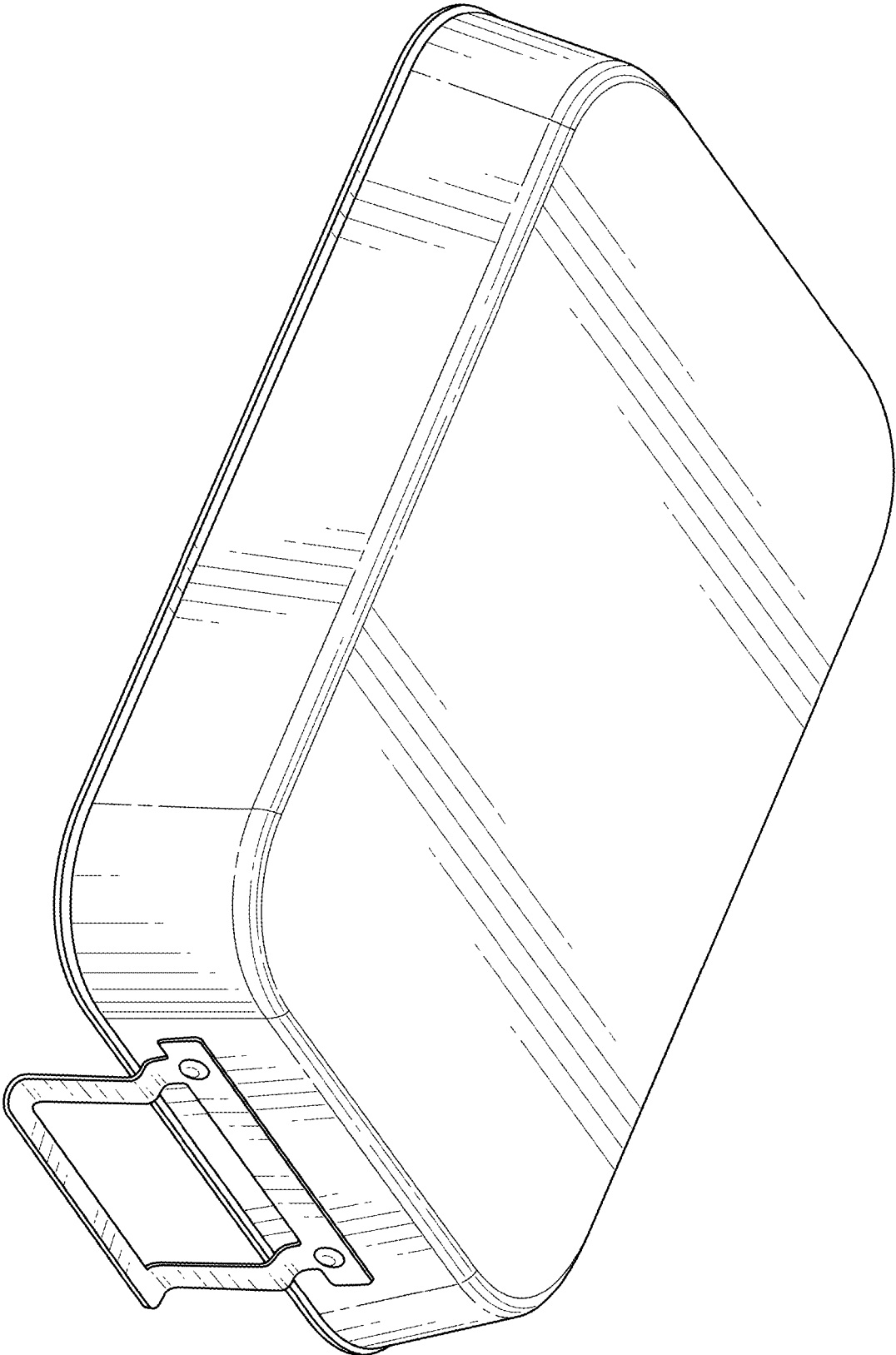


FIG. 2

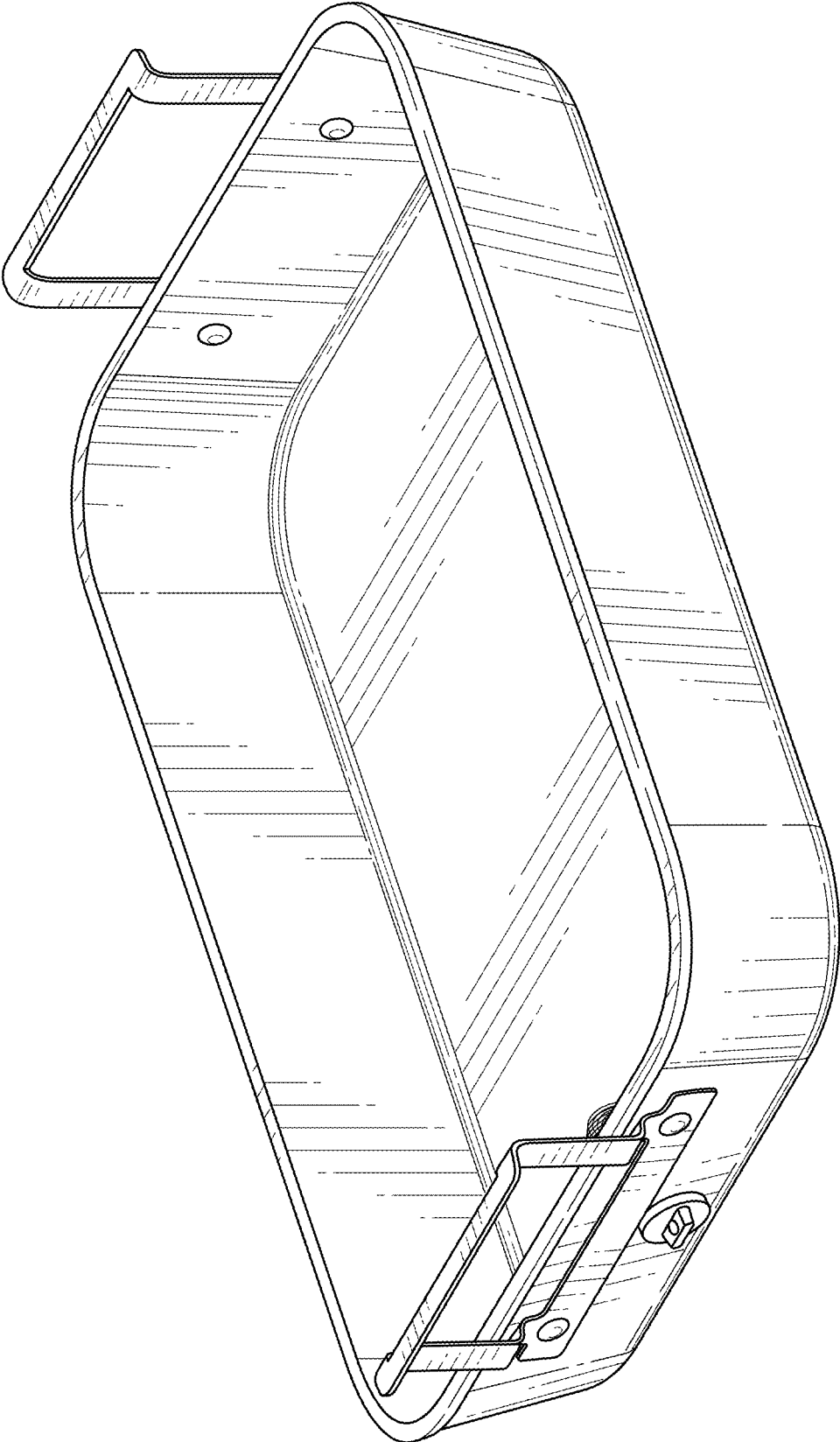


FIG. 3

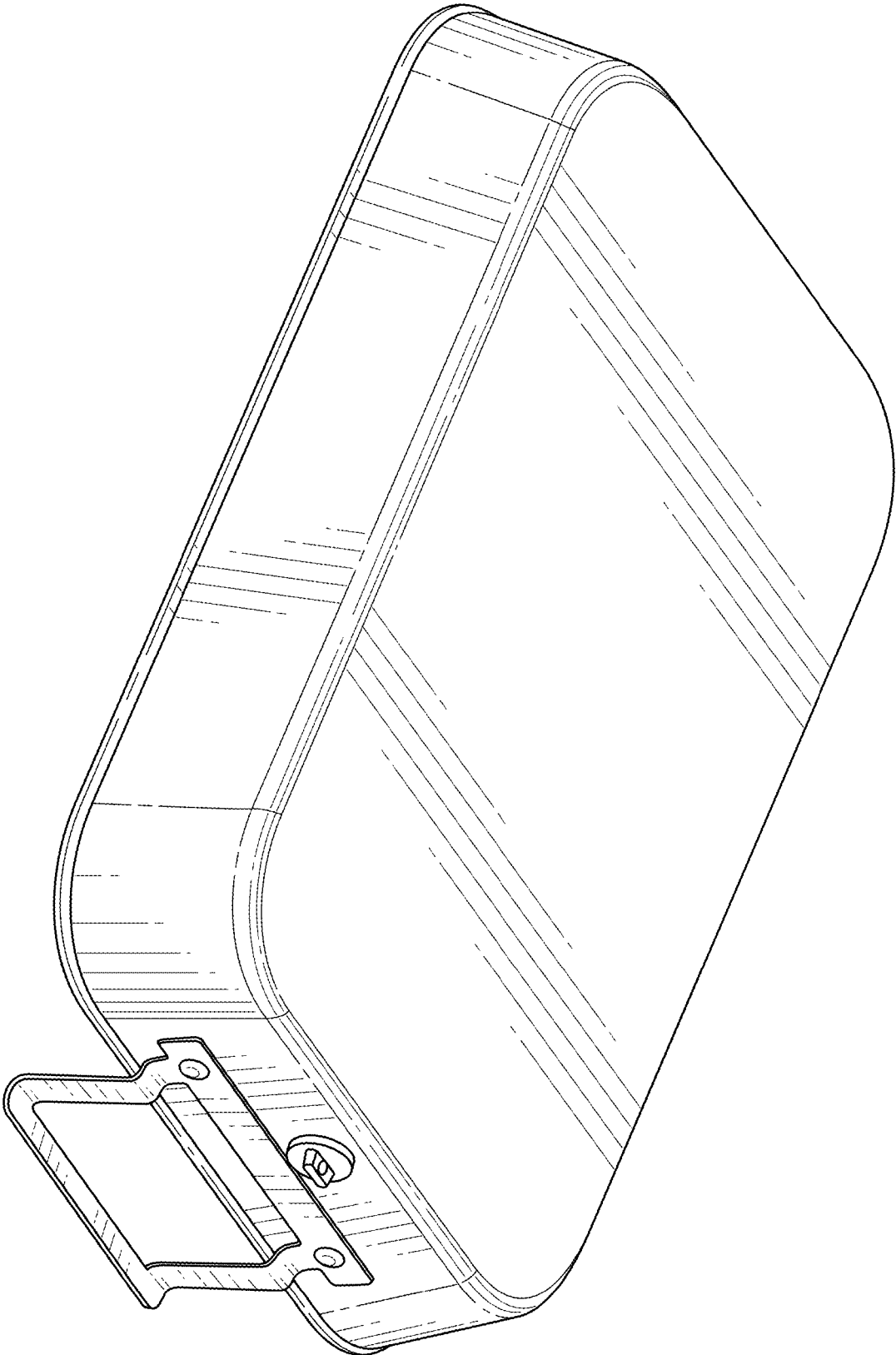


FIG. 4

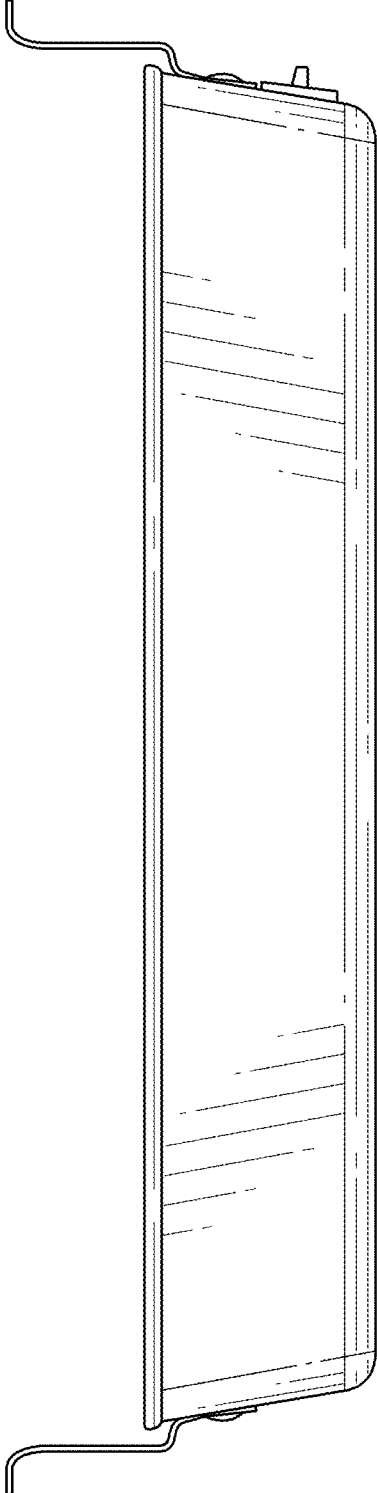


FIG. 5

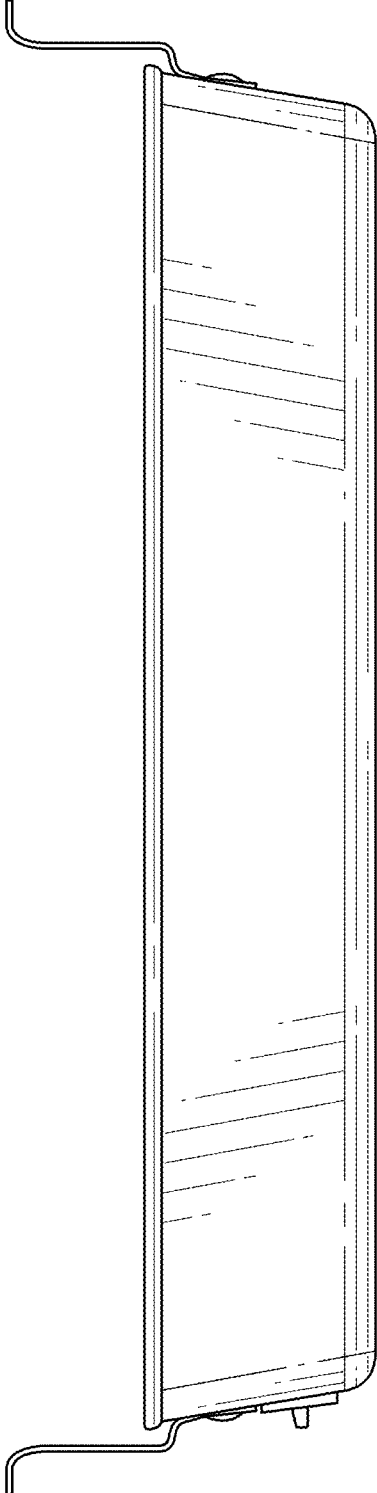


FIG. 6

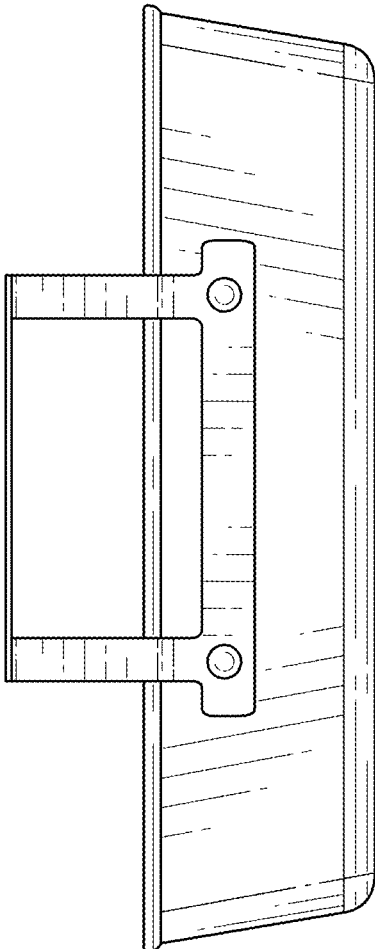


FIG. 7

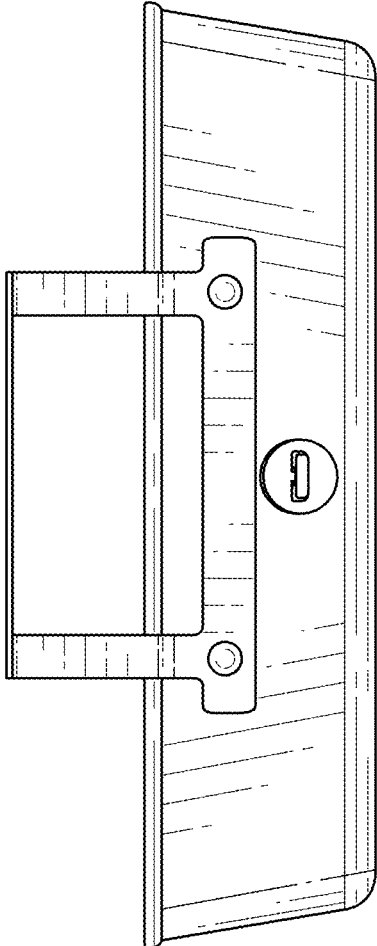


FIG. 8

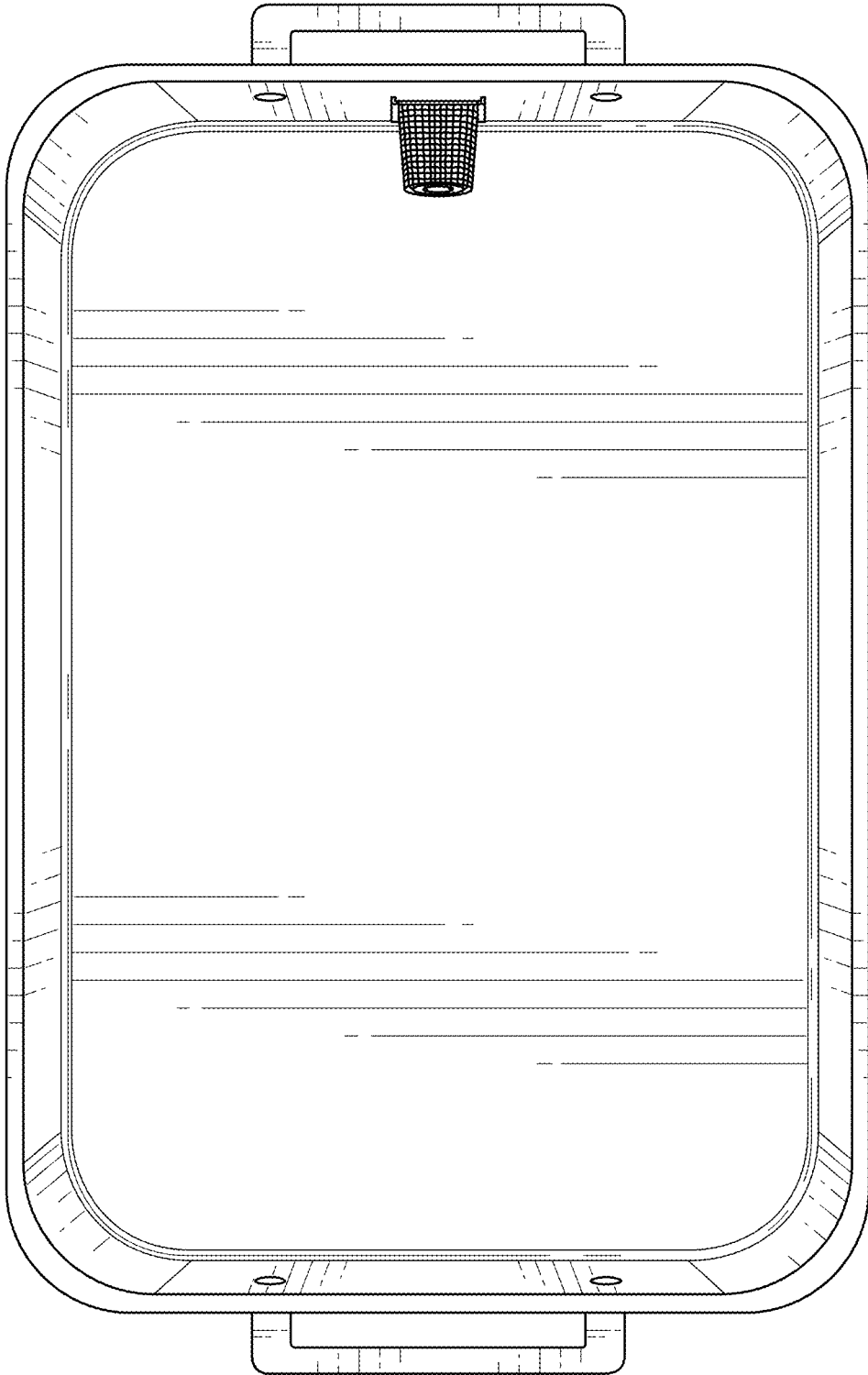


FIG. 9

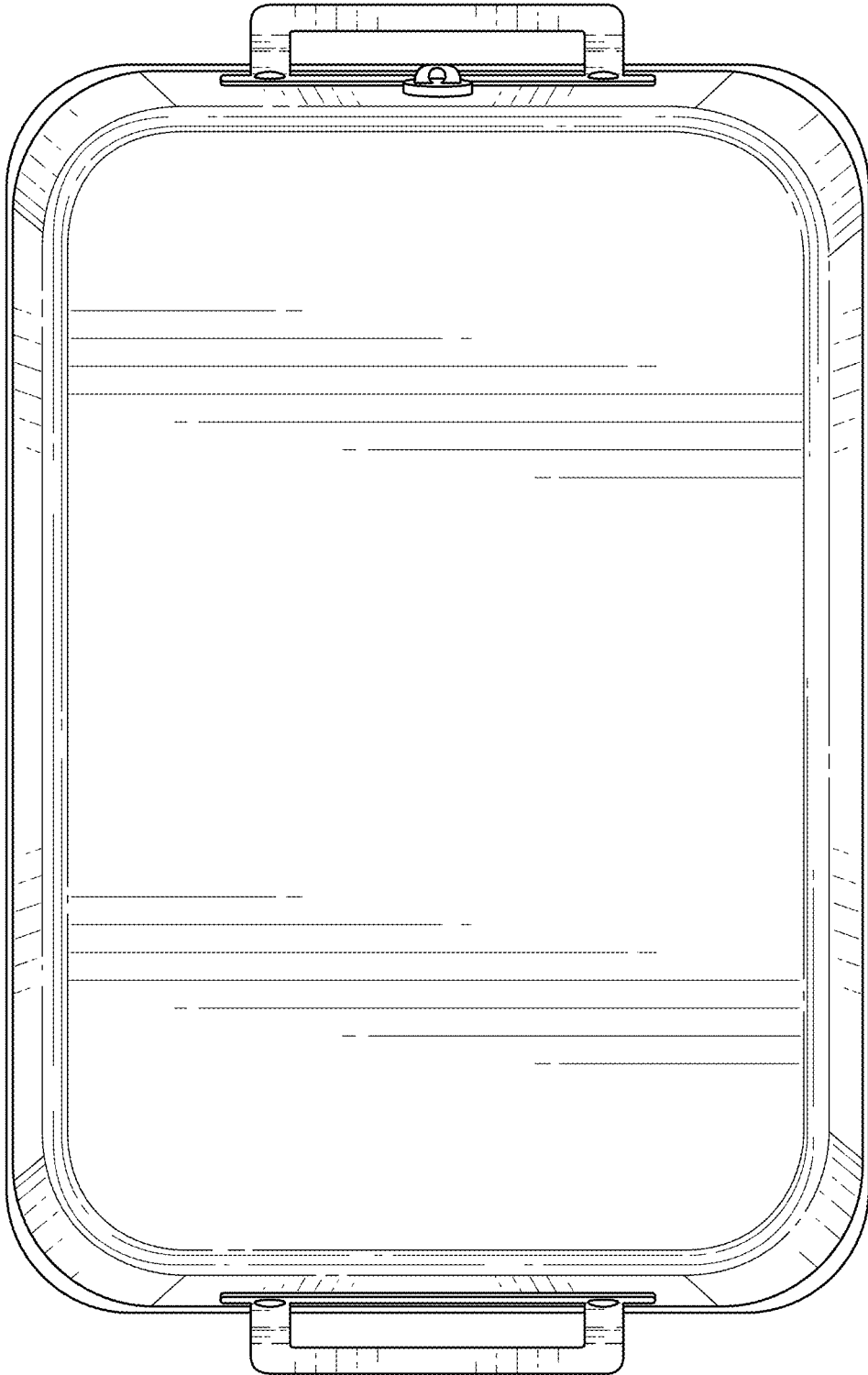


FIG. 10