



US00D795925S

(12) **United States Design Patent**
Mantzke

(10) **Patent No.:** **US D795,925 S**

(45) **Date of Patent:** **** Aug. 29, 2017**

(54) **DISPLAY SCREEN OR PORTION THEREOF WITH ICON**

(71) Applicant: **HITACHI, LTD.**, Tokyo (JP)

(72) Inventor: **Jürgen Mark Mantzke**, Redmond, WA (US)

(73) Assignee: **HITACHI, LTD.**, Tokyo (JP)

(**) Term: **14 Years**

(21) Appl. No.: **29/488,199**

(22) Filed: **Apr. 16, 2014**

(51) **LOC (10) Cl.** **14-04**

(52) **U.S. Cl.**
USPC **D14/491**

(58) **Field of Classification Search**
USPC D14/485-495
CPC G06F 17/50; G06F 17/5045; G06F 17/5086-17/5095; G06F 3/04815; G06F 2203/04802; G06T 17/00; G06T 2200/24; G06T 19/20; G06T 13/80; G06T 15/02; G06K 9/00671
See application file for complete search history.

(56) **References Cited**

U.S. PATENT DOCUMENTS

- 4,573,683 A * 3/1986 Lamle A63F 9/12
273/157 R
- 4,813,678 A * 3/1989 Collazo A63F 3/00
273/146
- 5,393,063 A * 2/1995 Ichimaru A63F 9/12
273/160
- 5,678,015 A * 10/1997 Goh G06F 3/04815
345/419
- 5,918,881 A * 7/1999 Kirby A63F 9/0415
273/146
- 5,995,104 A * 11/1999 Kataoka G05G 9/047
715/848

- 6,023,850 A * 2/2000 Trapet G01B 21/042
33/502
- 6,056,290 A * 5/2000 Holloway A63F 9/0838
273/153 S
- 6,232,976 B1 * 5/2001 Dalal G06T 15/04
345/419
- 6,327,623 B2 * 12/2001 Watts G06F 1/3203
709/229
- 6,426,761 B1 * 7/2002 Kanevsky G06F 3/0481
715/764
- 6,460,850 B1 * 10/2002 Dodek, II A63F 9/12
273/156
- 6,467,205 B1 * 10/2002 Flagg G09D 3/00
273/157 R

(Continued)

OTHER PUBLICATIONS

Arrow logo and icon vector glossy 3D elements free vector, posted at all-free-download.com by cgvector, posting date not posted, © 2015 All-Free-Download, [site visited Oct. 8, 2015]. Available from internet: <http://all-free-download.com/free-vector/download/arrow_logo_and_icon_vector_glossy_3d_elements_567452.html>.*

(Continued)

Primary Examiner — Barbara Fox
Assistant Examiner — Dana K Weiland
(74) *Attorney, Agent, or Firm* — Procopio, Cory, Hargreaves & Savitch LLP

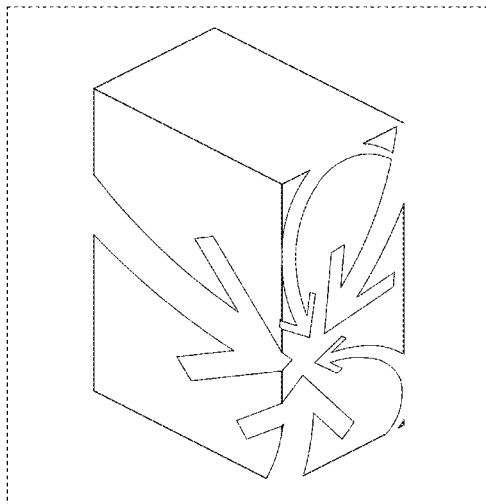
(57) **CLAIM**

The ornamental design for a display screen or portion thereof with icon, as shown and described.

DESCRIPTION

The sole FIGURE illustrates a front view of a display screen or portion thereof with icon showing the new design. The broken line showing of the display screen or portion thereof forms no part of the claimed design.

1 Claim, 1 Drawing Sheet



(56)

References Cited

OTHER PUBLICATIONS

All-Free-Download, [site visited Oct. 8, 2015]. Available from internet: <http://all-free-download.com/free-vector/download/dynamic_arrow_icons_01_vector_160829.html>.*

Three dimensional effect of dynamic arrow vector free vector, posted at all-free-download.com by zcool.com.cn, posting date not posted, © 2015 All-Free-Download, [site visited Oct. 8, 2015]. Available from internet: <http://all-free-download.com/free-vector/download/threedimensional_effect_of_dynamic_arrow_vector_152593.html>.*

Folder With Arrows Pointing Down, posted at all-free-download.com by vectorfresh, posting date not posted, © 2015 All-Free-Download, [site visited Oct. 8, 2015]. Available from internet: <http://all-free-download.com/free-vector/download/folder_with_arrows_pointing_down_144981.html>.*

Globe with Arrow Icon Set, posted shutterstock.com by mossa art, posting date not posted, © 2003-2015 Shutterstock, Inc., [site visited Oct. 8, 2015]. Available from internet: <http://www.shutterstock.com/pic-116280538/stock-vector-globe-with-arrow-icon-set.html?src=pp-same_artist-116280541-1&ws=1>.*

Logo of Abstract Arrow Design Elements, posted at all-free-download.com by freedesignfile, posting date not posted, © 2015 All-Free-Download, [site visited Oct. 8, 2015]. Available from internet: <http://all-free-download.com/free-vector/download/vector_logo_of_abstract_arrow_design_elements_527444.html>.*

Abstract Arrow Icon Set, posted shutterstock.com by mossa art, posting date not posted, © 2003-2015 Shutterstock, Inc., [site visited Oct. 8, 2015]. Available from internet: <http://www.shutterstock.com/pic.mhtml?id=116280541&irgwc=1&utm_source=38874&utm_medium=Affiliate&utm_campaign=Nguyen%20Duy%20Phi&tpl=38874-43068>.*

Cube With Arrow, posted at DreamsTime.com by Aleksandar Mirkovic, posting date not posted, © 2000-2016 Dreamstime, [site visited Apr. 26, 2016]. Available from internet:<<http://www.dreamstime.com/stock-illustration-cube-arrow-d-red-curve-icon-vector-design-image44375673>>.*

3D Cube Logo With Arrow, posted at DreamsTime.com by SwillKlitch, posting date not posted, © 2000-2016 Dreamstime, [site visited Apr. 26, 2016]. Available from internet:<<http://www.dreamstime.com/stock-illustration-d-cube-logo-arrow-blue-vector-image44508677>>.*

Cube With Arrow, posted at DreamsTime.com by Aleksandar Mirkovic, posting date not posted, © 2000-2016 Dreamstime, [site visited Apr. 26, 2016]. Available from internet:<<http://www.dreamstime.com/stock-illustration-cube-arrow-d-blue-curve-icon-vector-design-image44375600>>.*

Abstract Square Design Illustration, posted at iStockPhoto.com by JulienGrondin, posted Feb. 3, 2009, © 2016 iStockPhoto LP, [site visited Apr. 26, 2016]. Available from internet:<<http://www.istockphoto.com/vector/abstract-square-design-gm93061966-8391136>>.*

3D Shapes PSD & Icons, posted at graphicsfuel.com by Rafi, posted Dec. 7, 2010, © 2015 GraphicsFuel.com, [site visited Apr. 26, 2016]. Available from internet:<<http://www.graphicsfuel.com/2010/12/3d-shapes-psd-icons/>>.*

Packaging, Business, Delivery, Box, cardboard, package, fragile icon, undated [online], [site visited Apr. 5, 2017]. Available from Internet, URL: <<https://www.shareicon.net/packaging-business-delivery-box-cardboard-package-fragile-785307>>.*

Box Orange Arrow, undated [online], [site visited Apr. 5, 2017]. Available from Internet, URL: <<http://arrows-free.com/71-sphere/007-sphere.html>>.*

Box with an arrow sign pointing down, announced 3013 [online], [site visited Apr. 5, 2017]. Available from Internet, URL: <http://www.flaticon.com/free-icon/box-with-an-arrow-sign-pointing-down-hand-drawn-symbol_35452>.*

Box with an arrow sign pointing down, announced 3013 [online], [site visited Apr. 5, 2017]. Available from Internet, URL: <http://www.flaticon.com/free-icon/box-with-an-arrow-sign-pointing-down-hand-drawn-symbol_35452>.*

* cited by examiner

