

- [54] **TELEPHONE BASE WITH EXTENDER**
- [75] **Inventors: Donald M. Genaro, Haworth, N.J.; Jerome M. Gotway; Norris R. Hall, both of Indianapolis, Ind.; John N. McGarvey, Drexel Hill, Pa.**
- [73] **Assignee: AT&T Bell Laboratories, Murray Hill, N.J.**
- [**] **Term: 14 Years**
- [21] **Appl. No.: 612,466**
- [22] **Filed: May 21, 1984**

Related U.S. Application Data

- [62] **Division of Ser. No. 455,888, Jan. 5, 1983.**
- [52] **U.S. Cl. D14/60; D14/59**
- [58] **Field of Search D14/53, 55, 56, 59, D14/60, 61, 62, 65; 179/179, 178, 100 R, 100 C, 100 D, 147, 146 R**

References Cited

U.S. PATENT DOCUMENTS

- D. 185,799 8/1959 Dreyfuss et al. D14/55
- D. 252,331 7/1979 Baase et al. D14/60
- D. 252,569 8/1979 Genaro et al. D14/60
- D. 252,570 8/1979 Genaro et al. D14/60
- D. 252,929 9/1979 Genaro et al. D14/53
- D. 253,344 11/1979 Genaro et al. D14/60
- D. 253,821 1/1980 Genaro et al. D14/60
- D. 262,211 12/1981 Janda D14/60
- D. 262,626 1/1982 Genaro et al. D14/60

- D. 265,401 7/1982 Genaro et al. D14/60
- D. 271,691 12/1983 Bhat et al. D14/60
- D. 271,872 12/1983 Janda D14/61
- D. 271,971 12/1983 Genaro et al. D14/60
- D. 272,441 1/1984 Carn D14/60
- 3,849,608 11/1974 Bustus et al. 179/146 R

Primary Examiner—Wallace R. Burke
Assistant Examiner—Horace B. Fay
Attorney, Agent, or Firm—M. A. Morra

[57] **CLAIM**

The ornamental design for a telephone base with extender, substantially as shown and described.

DESCRIPTION

FIG. 1 is a top and side perspective view from above of a telephone base with extender showing our new design;
 FIG. 2 is a top plan view thereof;
 FIG. 3 is a right side elevational view thereof, the left side being identical;
 FIG. 4 is a bottom plan view thereof;
 FIG. 5 is an end elevational view, the end opposite being substantially identical;
 FIG. 6 is a rear, side and bottom perspective view of a second embodiment thereof, the only difference being that the base with extender is attached to an elevating stand for desk-mounted use; and
 FIG. 7 is a rear, side and bottom perspective view of a third embodiment thereof, the only difference being that the base with extender is attached to a stand-off base for wall-mounted use.

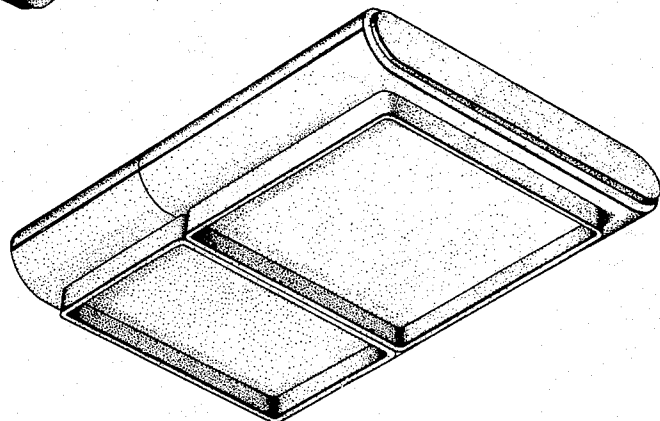
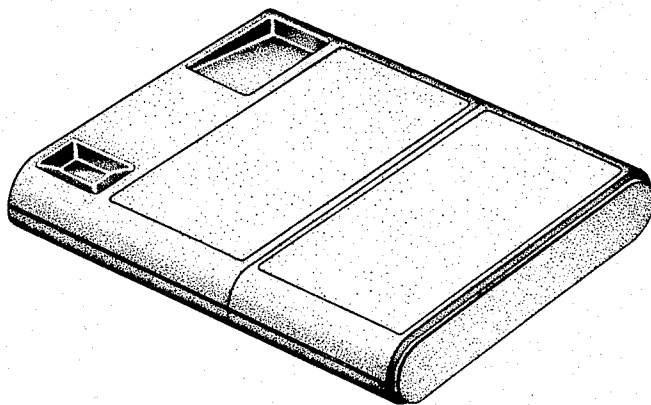


FIG. 1

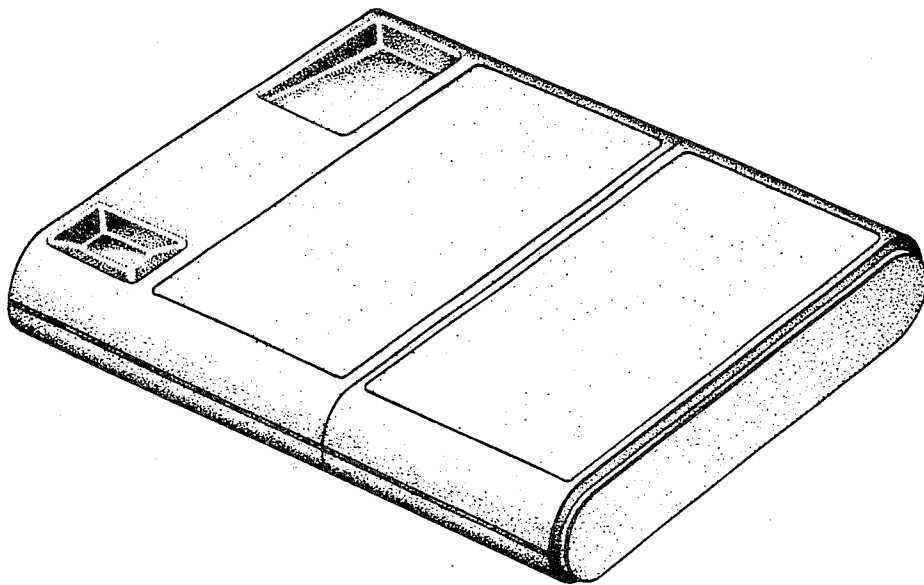


FIG. 2

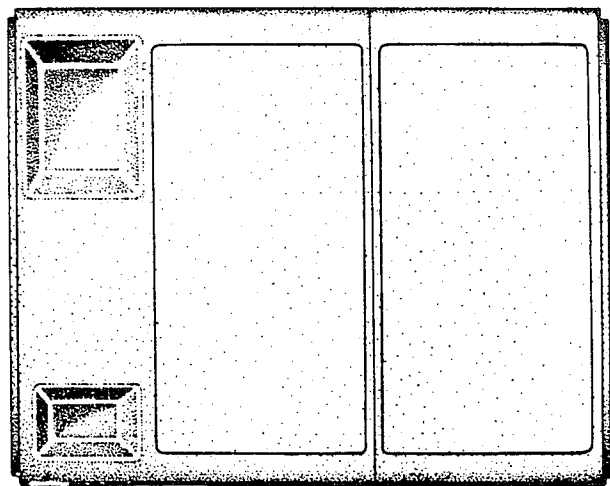


FIG. 3

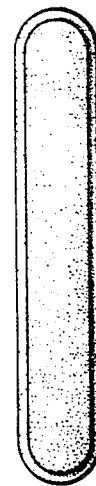


FIG. 4

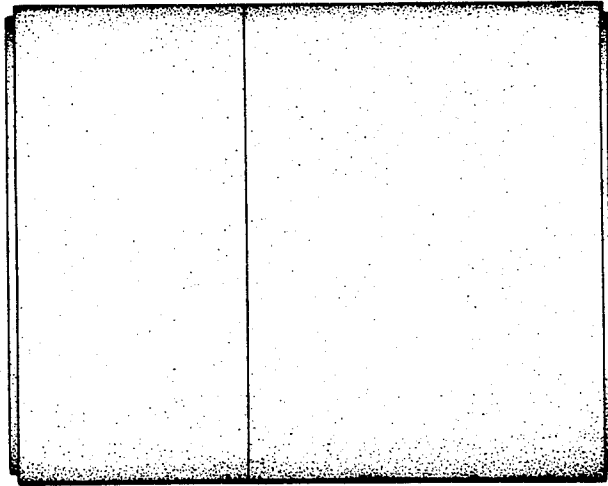


FIG. 5

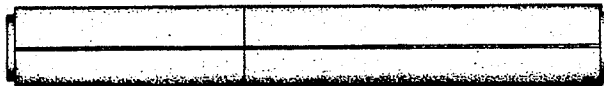


FIG. 6

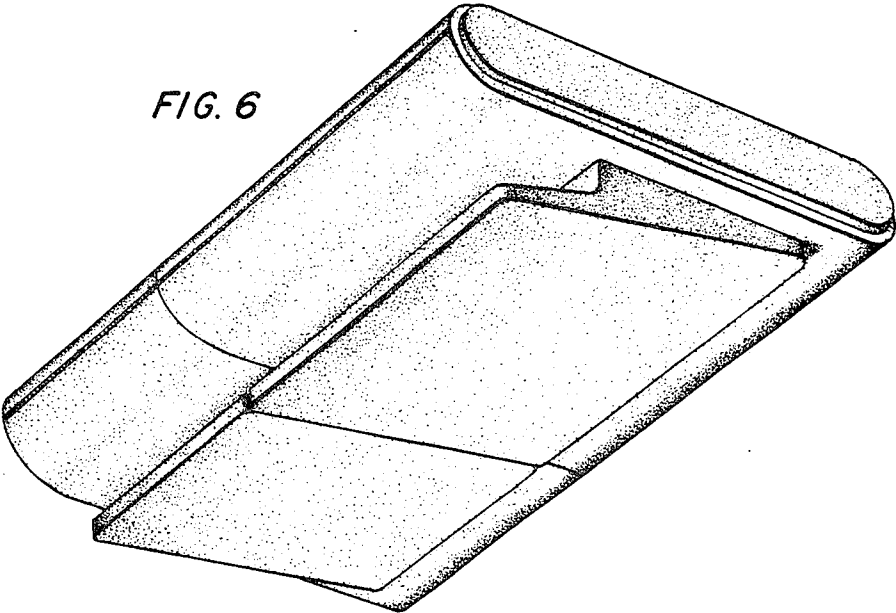


FIG. 7

