



US00D606661S

(12) **United States Design Patent**
Colombo

(10) **Patent No.:** **US D606,661 S**

(45) **Date of Patent:** **** *Dec. 22, 2009**

(54) **BABY BOTTLE**

(76) Inventor: **Elizabeth Colombo**, 1826 Albermarle Ave., East Meadow, NY (US) 11554

(*) Notice: This patent is subject to a terminal disclaimer.

(**) Term: **14 Years**

(21) Appl. No.: **29/300,909**

(22) Filed: **May 29, 2008**

(51) **LOC (9) Cl.** **07-01**

(52) **U.S. Cl.** **D24/197**

(58) **Field of Classification Search** D24/193-199;
D3/22, 202, 215, 226, 229-230; D9/447-449,
D9/511, 537-538, 541, 547, 551, 556, 560,
D9/569, 573; D7/511, 533, 607, 619.1, 624.2-624.3;
215/6, 11.1-11.6, 12.1, 13.1, 255, 256, 378,
215/387, 398, 902, DIG. 8; 446/73, 81, 175;
248/102, 363; 294/64.1, 106; 220/739, 902-903,
220/DIG. 27; 222/158, 455, 457

See application file for complete search history.

(56) **References Cited**

U.S. PATENT DOCUMENTS

3,768,683	A *	10/1973	Van Den Bosch	215/11.5
D251,612	S *	4/1979	Lagergren et al.	D24/197
4,386,696	A	6/1983	Goncalves		
5,060,811	A	10/1991	Fox		
5,419,445	A	5/1995	Kaesemeyer		
D368,138	S *	3/1996	Hamilton	D24/197
5,638,968	A *	6/1997	Baron et al.	215/11.4
5,692,627	A *	12/1997	Feng	215/11.5

D417,505	S *	12/1999	Nuzzo	D24/197
6,024,625	A *	2/2000	Pearce	446/81
D478,993	S	8/2003	Mitchell et al.		
6,742,665	B2 *	6/2004	Lombardo	215/11.5
7,111,760	B2 *	9/2006	Pagovich et al.	222/158
D532,298	S *	11/2006	Vogel	D9/447
7,150,369	B1	12/2006	Fryar		
2007/0017890	A1 *	1/2007	Al-Jadh	215/11.1
2007/0284329	A1 *	12/2007	Hayes et al.	215/11.1

* cited by examiner

Primary Examiner—Robert M. Spear

Assistant Examiner—Susan E Krakower

(74) *Attorney, Agent, or Firm*—Paul R Martin

(57) **CLAIM**

The ornamental design for a baby bottle, as shown and described.

DESCRIPTION

FIG. 1 is a perspective view of my design;

FIG. 2 is a side elevational view of my design, the opposite side view being a mirror image thereof;

FIG. 3 is a top view of my design;

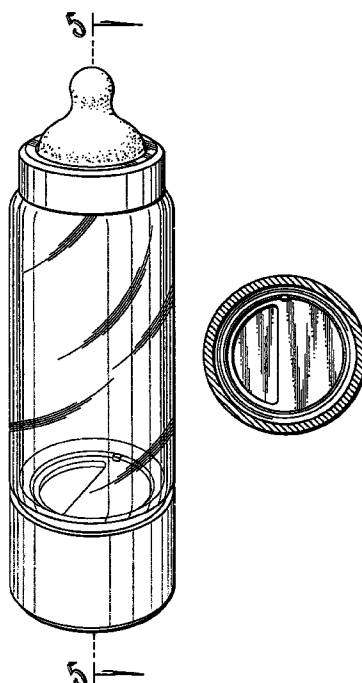
FIG. 4 is a bottom view of my design;

FIG. 5 is a cross-sectional view of my design along the line 5-5 of FIG. 1; and,

FIG. 6 is a cross-sectional view of my design along the line 6-6 of FIG. 5.

The broken lines illustrate environmental elements which form no part of the claimed design.

1 Claim, 3 Drawing Sheets



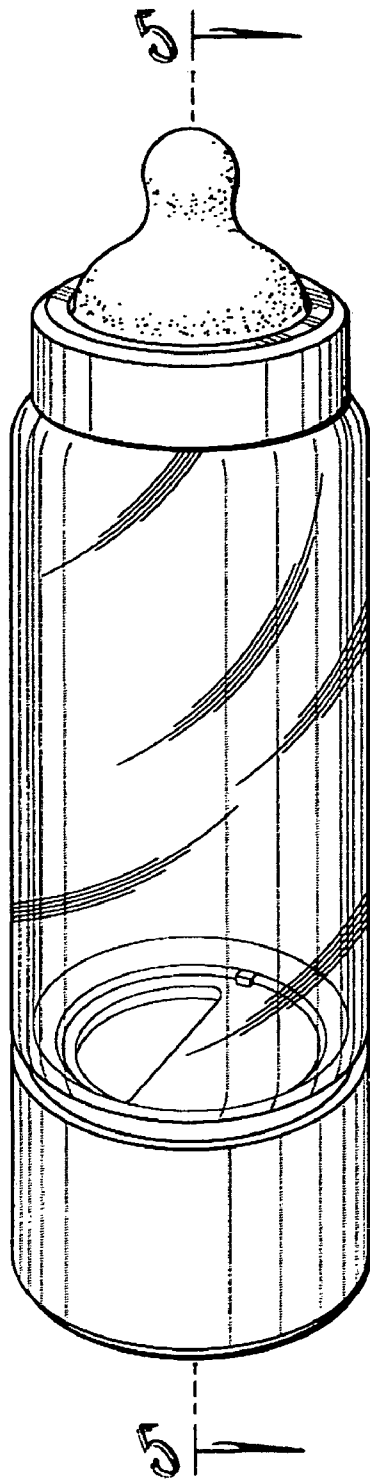


FIG. 1

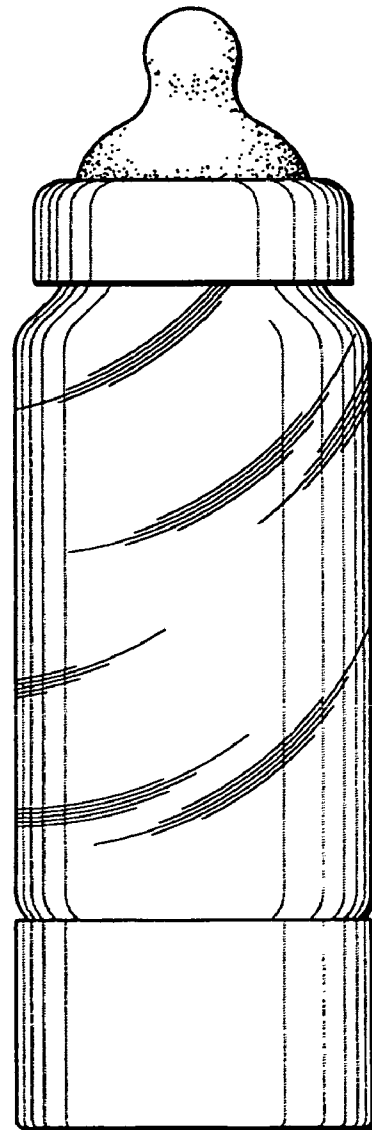


FIG. 2

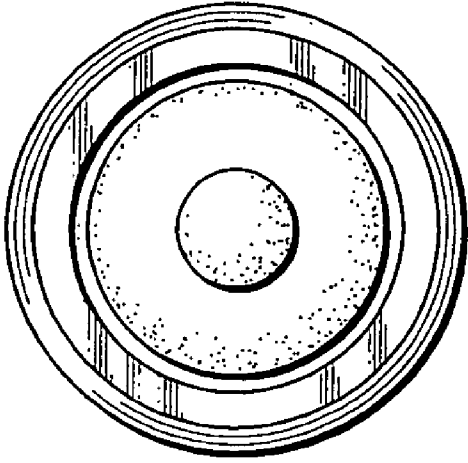


FIG. 3

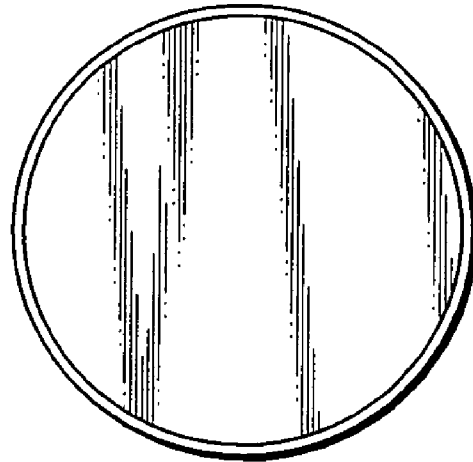


FIG. 4

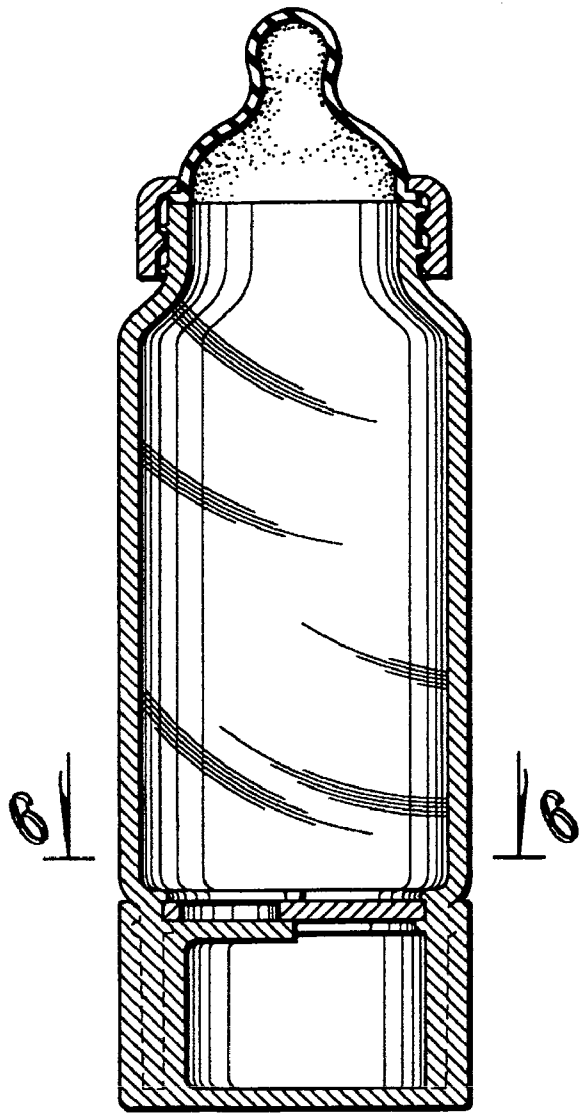


FIG. 5

