



US00D774489S

(12) **United States Design Patent**  
**Loh Jun Kern et al.**

(10) **Patent No.:** **US D774,489 S**

(45) **Date of Patent:** **\*\* Dec. 20, 2016**

- (54) **PAIR OF EARPHONES**
- (71) Applicant: **Sennheiser electronic GmbH & Co. KG**, Wedemark (DE)
- (72) Inventors: **Rodney Loh Jun Kern**, Singapore (SG); **Chang Tat Lee**, Singapore (SG); **Alden Koh**, Singapore (SG); **Thomas Pierre Rene Tellier**, Singapore (SG)
- (73) Assignee: **Sennheiser electronic GmbH & Co. KG**, Wedemark (DE)
- (\*\*) Term: **14 Years**
- (21) Appl. No.: **29/519,004**
- (22) Filed: **Mar. 2, 2015**

(30) **Foreign Application Priority Data**

- Sep. 3, 2014 (EM) ..... 002530527-0001
- Sep. 3, 2014 (EM) ..... 002530527-0004
- Sep. 3, 2014 (EM) ..... 002530527-0008
- Sep. 3, 2014 (EM) ..... 002530527-0013

- (51) **LOC (10) Cl.** ..... **14-01**
- (52) **U.S. Cl.** ..... **D14/205**

- (58) **Field of Classification Search**
- USPC D14/223, 205; 181/129, 130, 135; 379/430, 379/431; 381/380, 381; 455/90.1, 455/575.1
- CPC ..... H04R 1/10
- See application file for complete search history.

(56) **References Cited**

**U.S. PATENT DOCUMENTS**

- 1,406,510 A \* 2/1922 Weber ..... H04R 1/1016  
381/328
- 3,440,365 A \* 4/1969 Hazell ..... H04M 1/05  
379/430

- 4,720,857 A \* 1/1988 Burris ..... H04M 1/05  
379/430
- D316,550 S \* 4/1991 Sogabe ..... D14/168
- D340,932 S \* 11/1993 Yan ..... D14/249
- 5,410,608 A \* 4/1995 Lucey ..... H04R 1/083  
381/360
- D357,921 S \* 5/1995 Ming-Chin ..... D14/223
- D382,874 S \* 8/1997 Peschke ..... D14/142
- D431,553 S \* 10/2000 Suzuki ..... D14/223

(Continued)

*Primary Examiner* — Paula Greene  
(74) *Attorney, Agent, or Firm* — Frommer Lawrence & Haug LLP

(57) **CLAIM**

The ornamental design for pair of earphones, as shown and described.

**DESCRIPTION**

FIG. 1 is an isometric view of the pair of earphones in accordance with a first embodiment of the invention.

FIG. 2 is a left side view of the pair of earphones in accordance with a first embodiment of the invention.

FIG. 3 is a rear side view of the pair of earphones in accordance with a first embodiment of the invention.

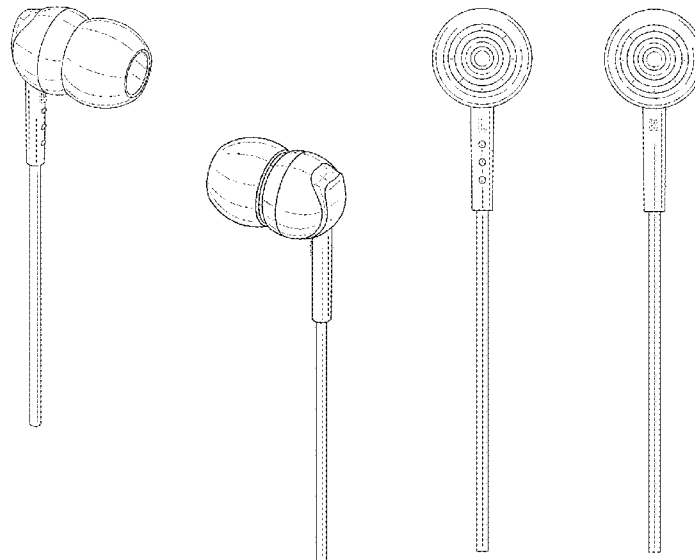
FIG. 4 is a right side view of the pair of earphones in accordance with a first embodiment of the invention.

FIG. 5 is a front side view of the pair of earphones in accordance with a first embodiment of the invention.

FIG. 6 is a top view of the pair of earphones in accordance with a first embodiment of the invention; and,

FIG. 7 is a bottom view of the pair of earphones in accordance with a first embodiment of the invention.

**1 Claim, 7 Drawing Sheets**



(56)

References Cited

U.S. PATENT DOCUMENTS

D485,548 S *	1/2004	Obata	.....	D14/223	D621,389 S *	8/2010	Nagayama	.....	D14/223
D550,657 S *	9/2007	Gan	.....	D14/223	D626,117 S *	10/2010	Lowry	.....	D14/223
D554,109 S *	10/2007	Ledbetter	.....	D14/223	D627,764 S *	11/2010	Tsai	.....	D14/223
D555,152 S *	11/2007	Wang	.....	D14/223	D637,181 S *	5/2011	Fuller	.....	D14/223
D566,099 S *	4/2008	Komiyama	.....	D14/206	D642,163 S *	7/2011	Lee	.....	D14/223
D567,217 S *	4/2008	Kamo	.....	D14/205	D643,417 S *	8/2011	Lee	.....	D14/223
D569,841 S *	5/2008	Chung	.....	D14/205	D657,780 S *	4/2012	Dahlberg	.....	D14/223
D572,242 S *	7/2008	Yang	.....	D14/205	D664,951 S *	8/2012	Ang	.....	D14/223
D591,264 S *	4/2009	Hong	.....	D14/205	D673,531 S *	1/2013	Lee	.....	D14/223
D591,721 S *	5/2009	Densho	.....	D14/205	D697,050 S *	1/2014	Thompson	.....	D14/206
7,551,748 B2 *	6/2009	Kamo	.....	H04R 1/1016 381/328	D700,905 S *	3/2014	Pavitsich	.....	D14/223
D598,894 S *	8/2009	Masuda	.....	D14/205	D702,668 S *	4/2014	Narita	.....	D14/223
D599,778 S *	9/2009	Ando	.....	D14/205	D710,334 S *	8/2014	Yang	.....	D14/223
D605,628 S *	12/2009	Ando	.....	D14/205	D711,356 S *	8/2014	Yang	.....	D14/223
D614,168 S *	4/2010	Rogers	.....	D14/206	D711,858 S *	8/2014	Yang	.....	D14/223
D619,122 S *	7/2010	Nomura	.....	D14/223	D718,286 S *	11/2014	Yang	.....	D14/223
					D729,775 S *	5/2015	Seo	.....	D14/205
					2007/0098201 A1 *	5/2007	Chen	.....	H04R 1/1016 381/380

\* cited by examiner

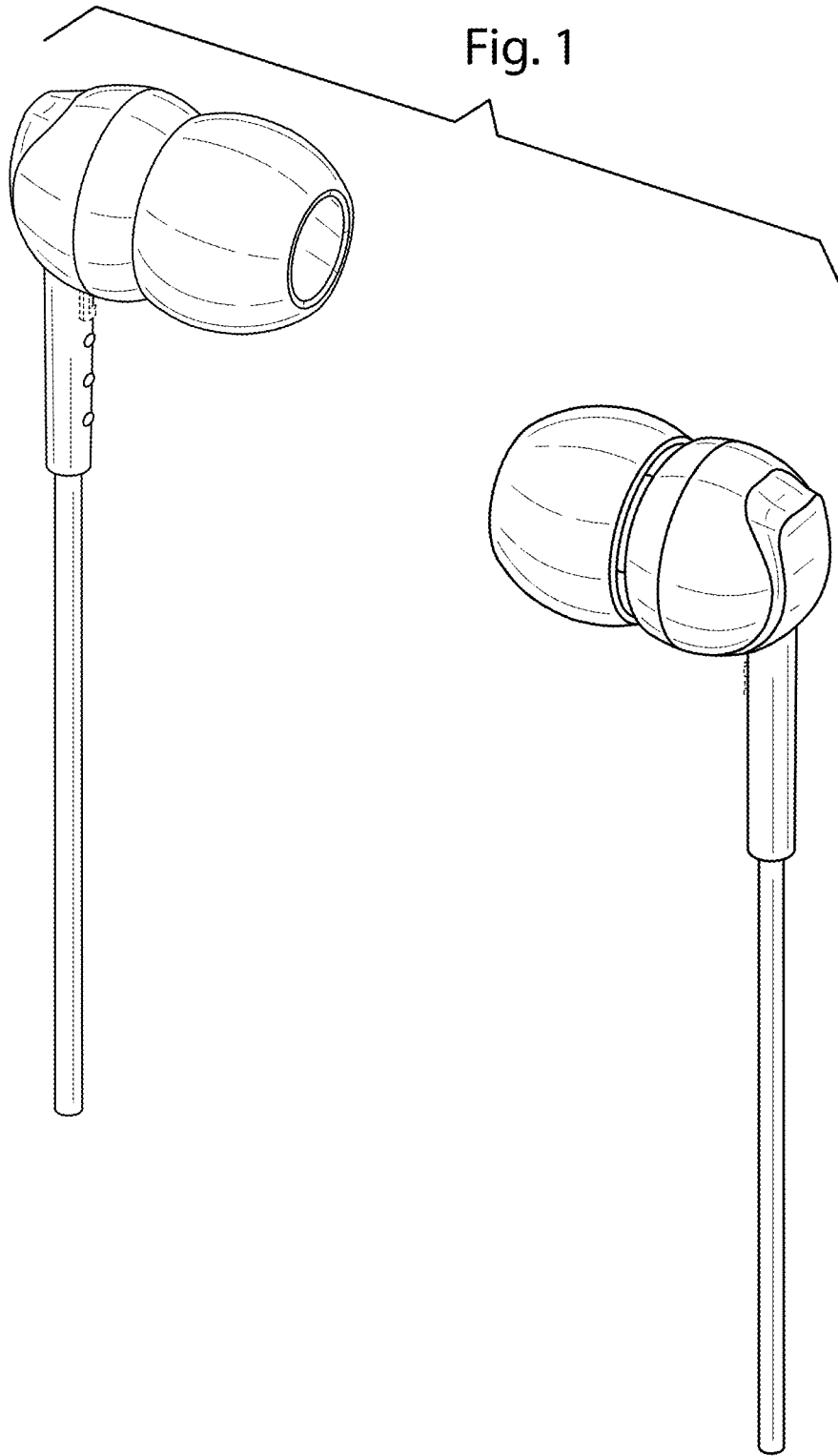


Fig. 2

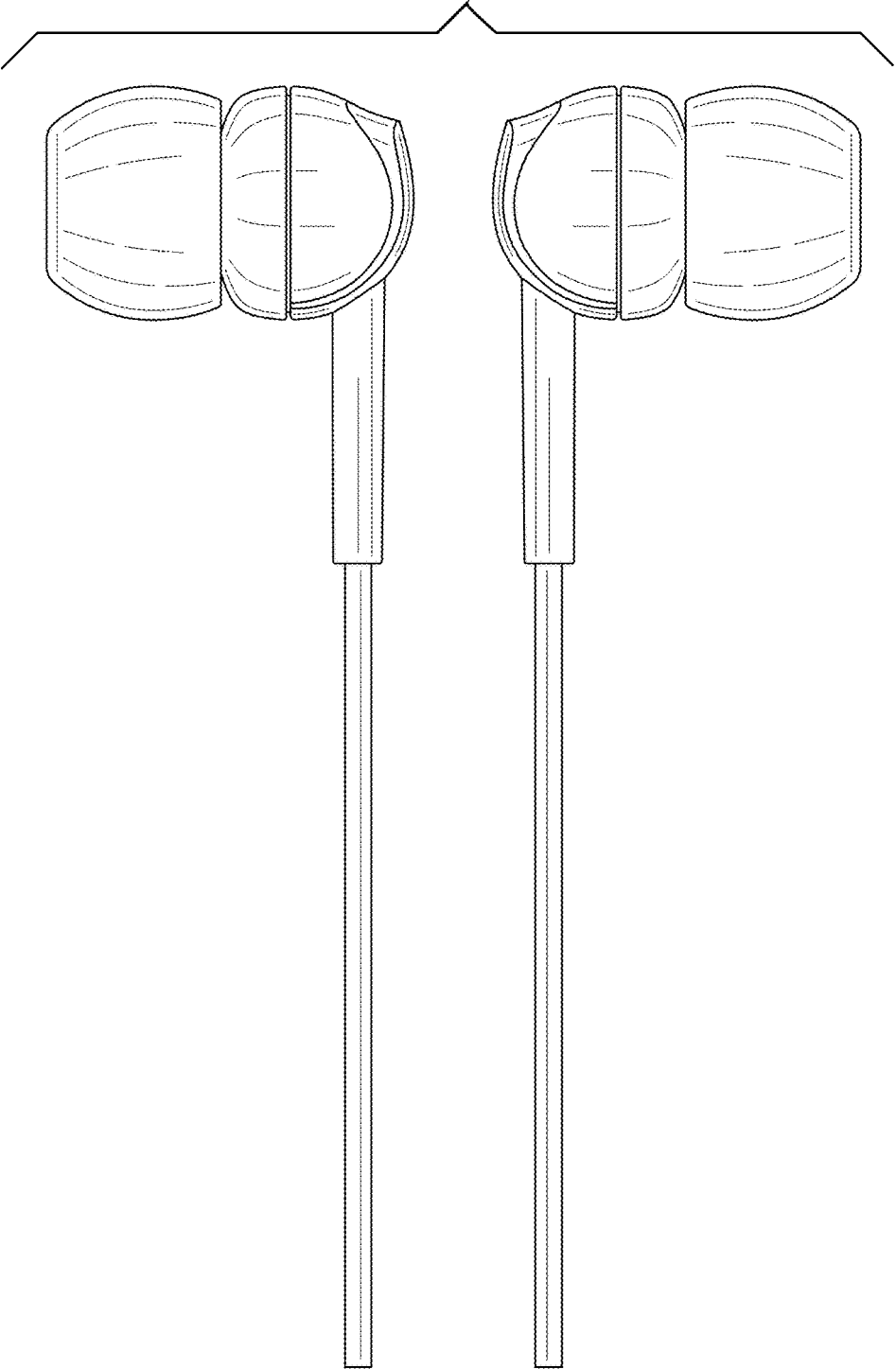


Fig. 3

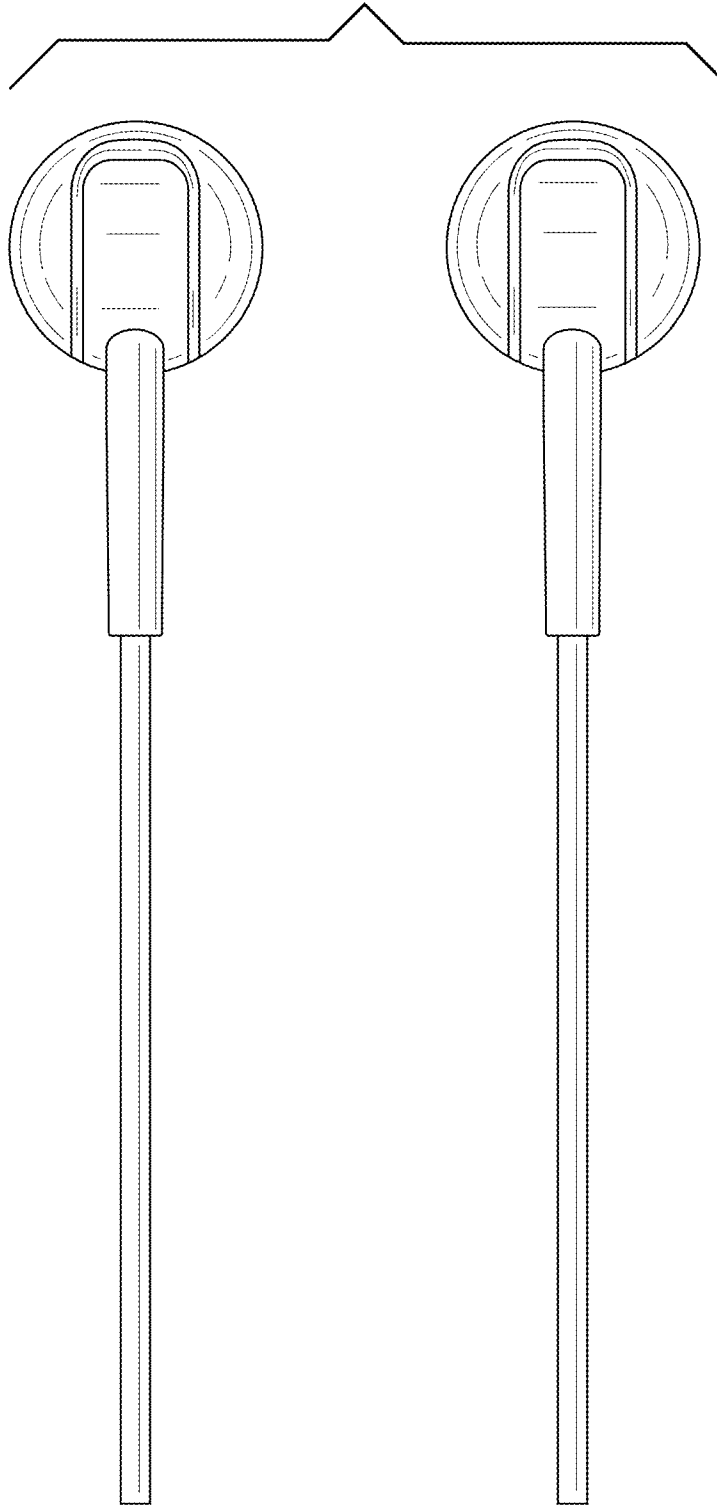


Fig. 4

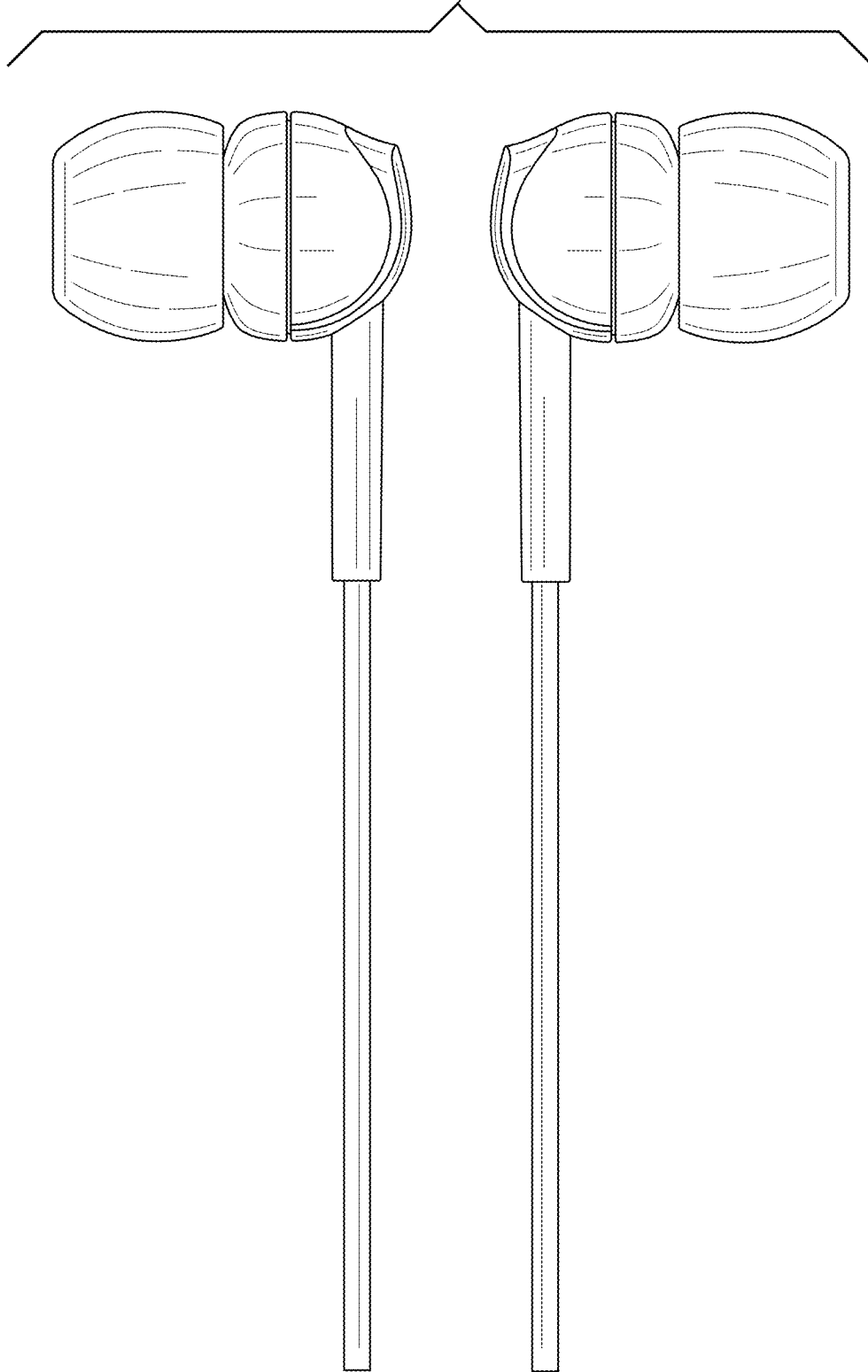


Fig. 5

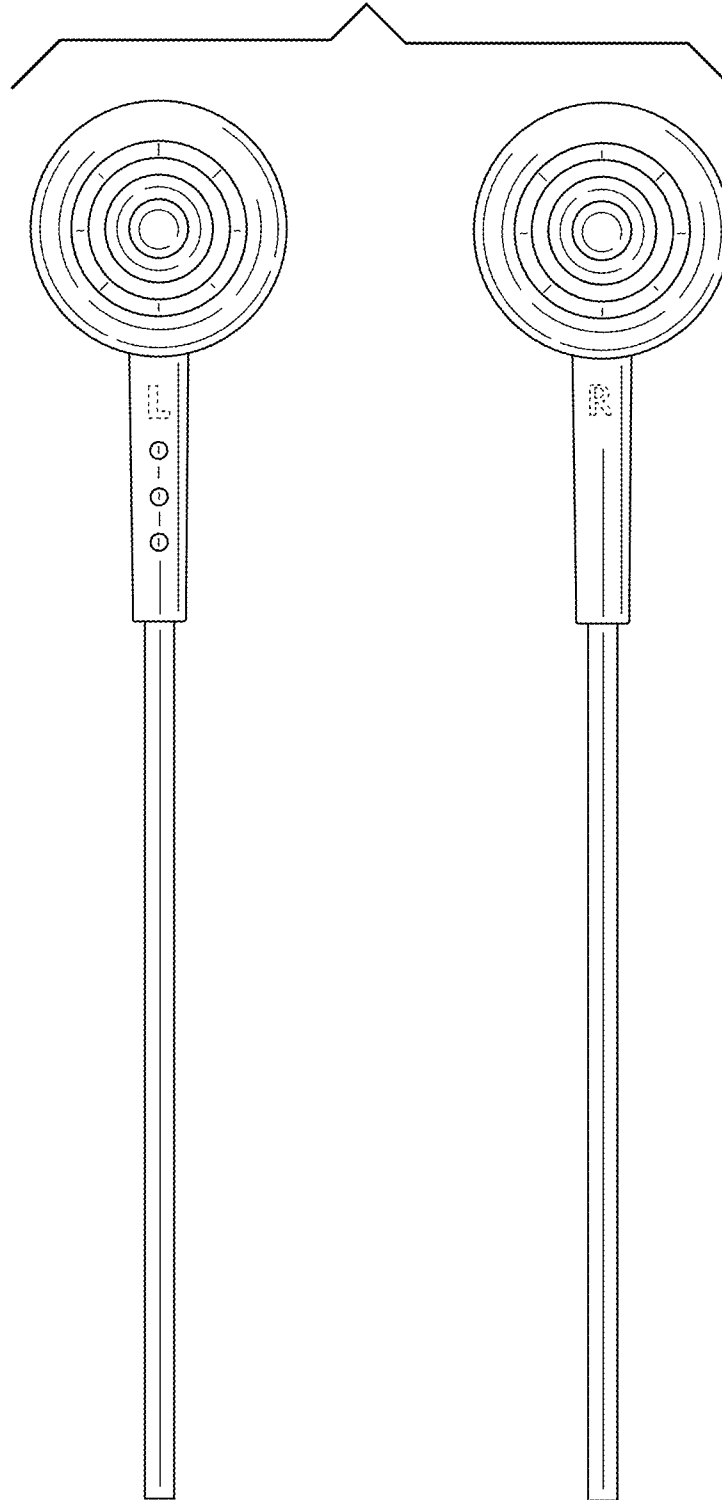


Fig. 6

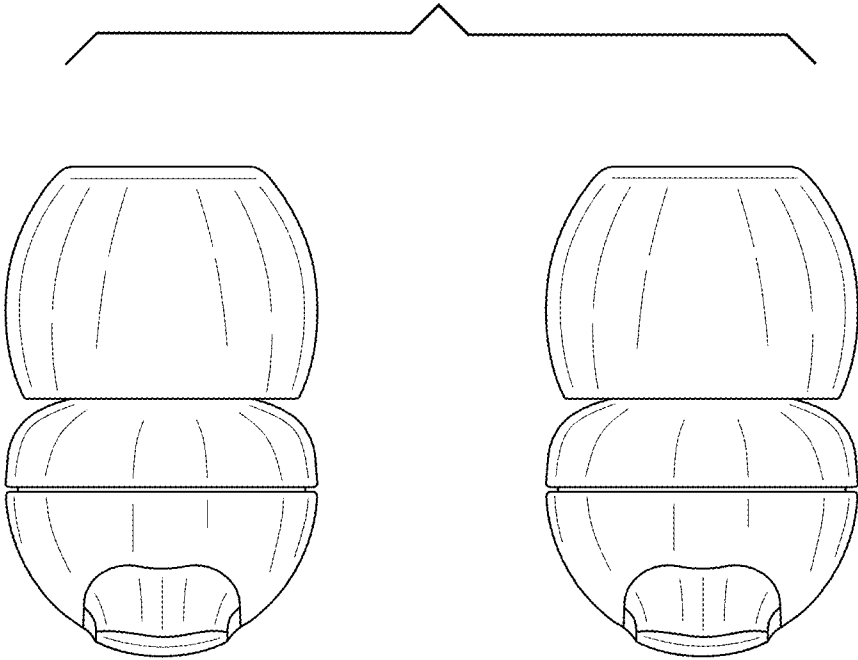




Fig. 7

