



US00D779073S

(12) **United States Design Patent**
Höbel et al.

(10) **Patent No.:** **US D779,073 S**
(45) **Date of Patent:** **** Feb. 14, 2017**

(54) **MEDICAL APPARATUS AND EQUIPMENT**

(71) Applicant: **MEDICA MEDIZINTECHNIK GMBH, Hochdorf (DE)**

(72) Inventors: **Otto Höbel, Hochdorf (DE); Jürgen Hinderhofer, Biberach (DE)**

(73) Assignee: **MEDICA-MEDIZINTECHNIK GMBH, Hochdorf (DE)**

(**) Term: **15 Years**

(21) Appl. No.: **35/500,156**

(22) Filed: **Sep. 11, 2015**

(80) **Hague Agreement Data**

Int. Filing Date: **Sep. 11, 2015**
Int. Reg. No.: **DM/087507**
Int. Reg. Date: **Sep. 11, 2015**
Int. Reg. Pub. Date: **Sep. 25, 2015**

(51) **LOC (10) Cl.** **24-02**

(52) **U.S. Cl.**
CPC **G01N 27/07 (2013.01)**
USPC **D24/183**

(58) **Field of Classification Search**
USPC D24/183-186, 230-233; 601/24, 98, 134, 601/146, 240-242; D6/361-367, 382, D6/480-482, 502
CPC G01N 27/07; G01N 33/54366; G01N 33/54373; G01N 35/025; G01N 33/558; G01N 21/8483; A61B 5/026; C12M 1/3446; A61K 38/00

See application file for complete search history.

(56) **References Cited**

U.S. PATENT DOCUMENTS

439,255 A * 10/1890 Ruebsam A61F 5/04 602/35
2,511,659 A * 6/1950 Wilson A61F 5/04 296/20

3,661,150 A * 5/1972 Peterssen A61F 5/04 602/35
3,717,144 A * 2/1973 Bimler A63B 23/0417 602/16
D229,359 S * 11/1973 Nightingale D24/188
4,566,440 A * 1/1986 Berner A61H 1/0255 601/34
4,602,619 A * 7/1986 Wolf A61H 1/0222 606/241
4,627,423 A * 12/1986 Kampner A61H 1/0222 5/633
4,664,099 A * 5/1987 Pearl, Jr. A61F 5/04 602/33
4,664,101 A * 5/1987 Granberg A61H 1/0218 602/33
4,998,722 A * 3/1991 Scott A63B 21/0552 482/130
5,097,553 A * 3/1992 Boland A61H 1/0292 5/632
D341,726 S * 11/1993 Stevens D6/361
5,306,231 A * 4/1994 Cullum A61H 1/0218 602/32
D367,118 S * 2/1996 Miller D24/188

(Continued)

Primary Examiner — Richard E Chilcot

(74) *Attorney, Agent, or Firm* — Andrew Wilford

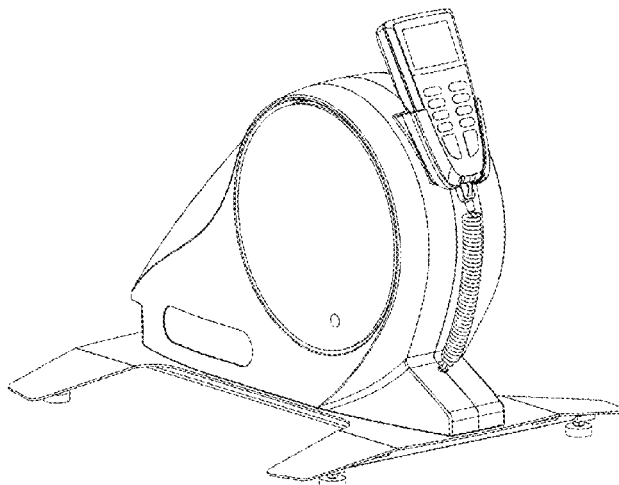
(57) **CLAIM**

The ornamental design for a medical apparatus and equipment, as shown and described.

DESCRIPTION

FIG. 1 is a perspective view of the invention; FIG. 2 is a left-side elevational view of the invention, the right-side elevational view being a mirror image thereof; FIG. 3 is a front elevational view of the invention; FIG. 4 is a back elevational view of the invention; and FIG. 5 is a top view of the invention, details that would be visible in a bottom view being disclaimed.

1 Claim, 5 Drawing Sheets



(56)

References Cited

U.S. PATENT DOCUMENTS

D521,301	S	*	5/2006	Dickson	D6/601
D536,096	S	*	1/2007	Hoogland	D24/183
D565,734	S	*	4/2008	Scott	D24/183
D569,980	S	*	5/2008	Bass	D24/183
D584,820	S	*	1/2009	Scott	D24/183
D627,891	S	*	11/2010	Lu	D24/183
D633,620	S	*	3/2011	Avett	D24/183
D655,418	S	*	3/2012	Hancock	D24/183
D659,250	S	*	5/2012	Cottrell	D24/183
D663,426	S	*	7/2012	Davis, III	D24/183
D673,278	S	*	12/2012	Orrico	D24/188
D673,684	S	*	1/2013	Piermarini	D24/183
D675,327	S	*	1/2013	Lu	D24/183
D711,000	S	*	8/2014	Ravikumar	D24/184
D753,311	S	*	4/2016	Long	D24/186
D753,312	S	*	4/2016	Long	D24/186
2007/0287946	A1	*	12/2007	Kendrick	A61F 5/04 602/36

* cited by examiner

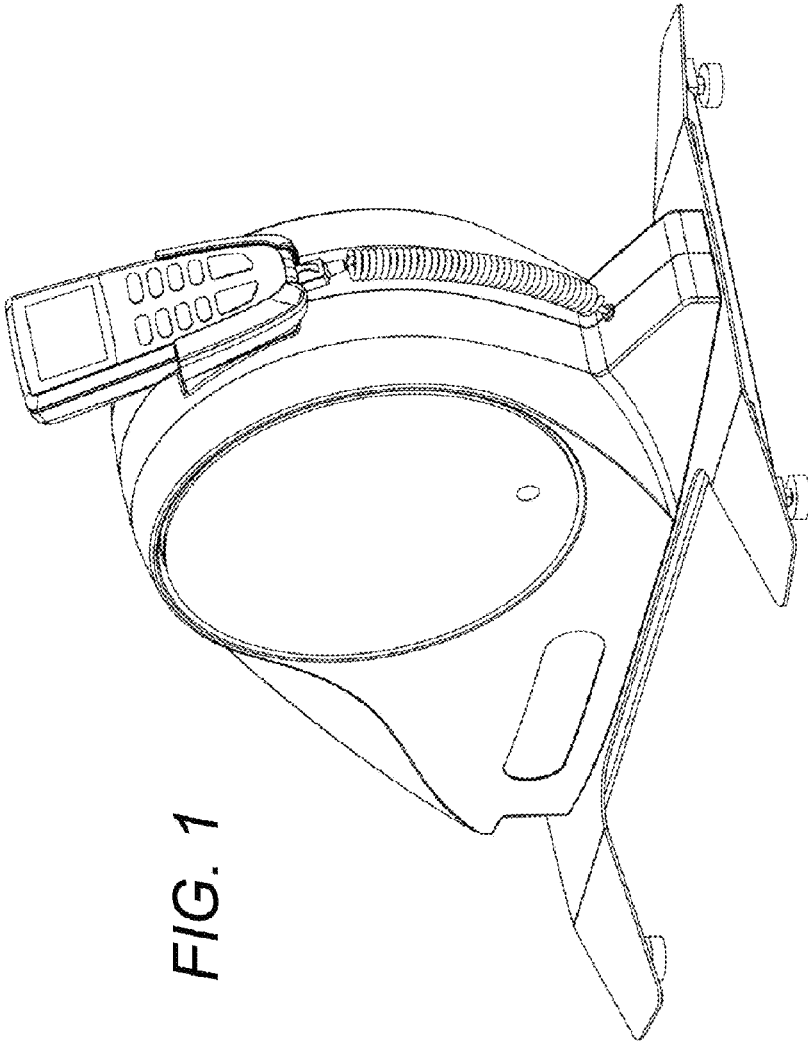
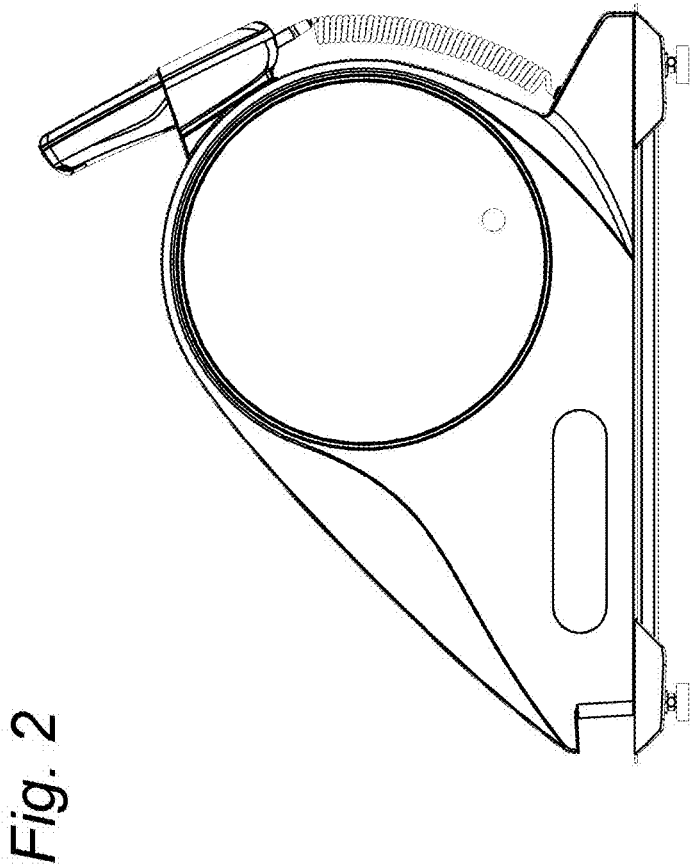


FIG. 1



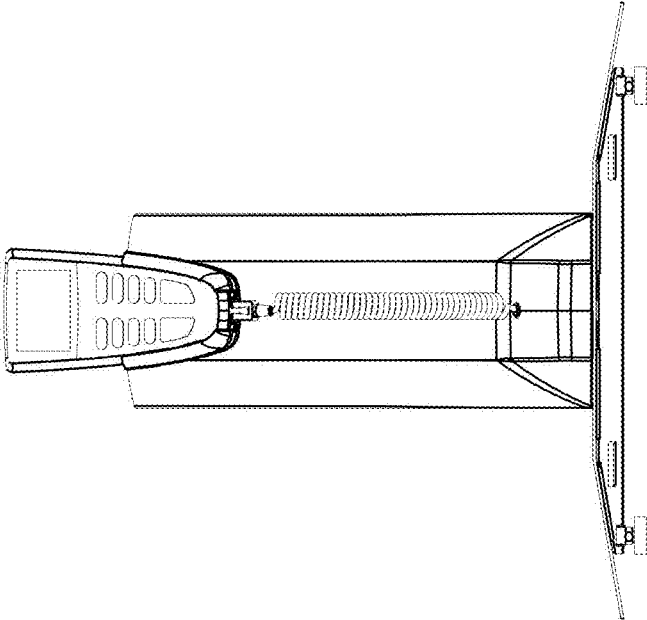


Fig. 3

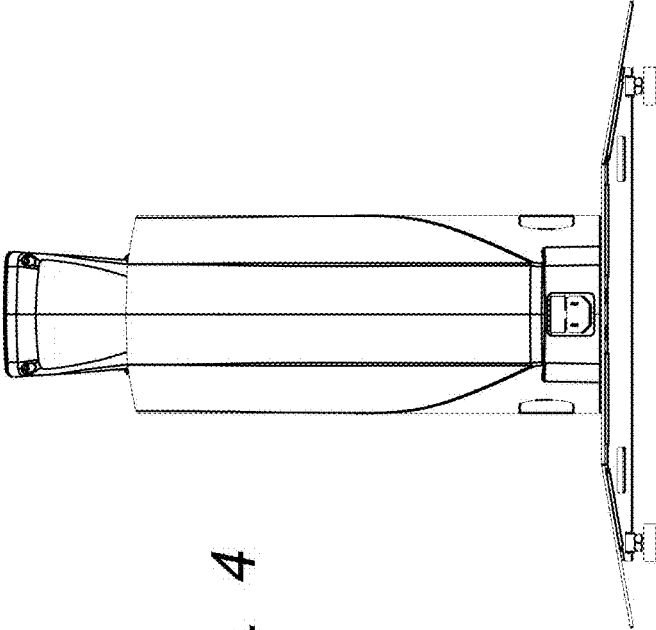


Fig. 4

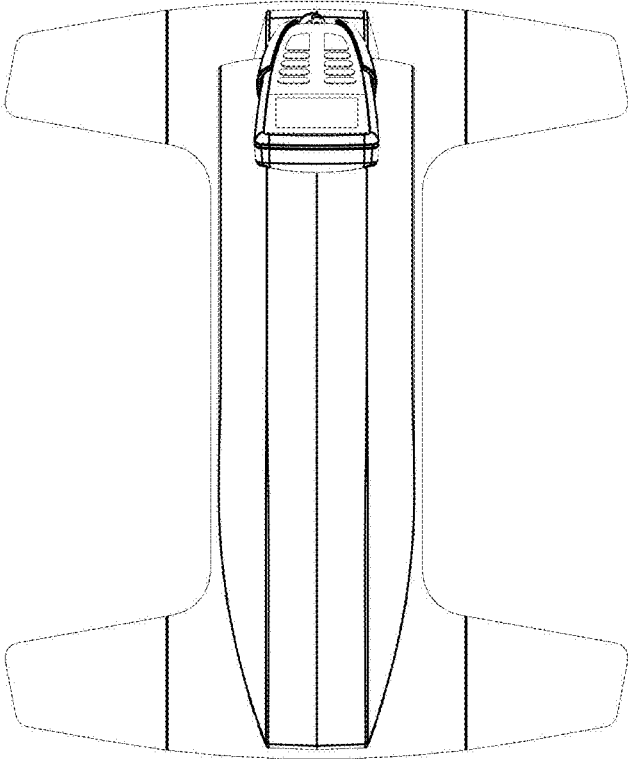


Fig. 5