



US00D550508S

(12) **United States Design Patent**  
**Tien**

(10) **Patent No.:** **US D550,508 S**

(45) **Date of Patent:** **\*\* Sep. 11, 2007**

(54) **TUMBLER**

(75) Inventor: **Kuang-Hsia Tien**, Pasadena, CA (US)

(73) Assignee: **Sweda Company, LLC**, Monrovia, CA (US)

(\*\*) Term: **14 Years**

(21) Appl. No.: **29/273,688**

(22) Filed: **Mar. 8, 2007**

D442,030 S *	5/2001	Freed .....	D7/523
D447,693 S *	9/2001	Warner et al. ....	D9/776
D460,894 S *	7/2002	Ziegenfus et al. ....	D7/523
D464,849 S *	10/2002	Norris et al. ....	D7/523
D471,764 S *	3/2003	Janky .....	D7/510
D477,183 S *	7/2003	Janky .....	D7/509
D479,437 S *	9/2003	Gluck .....	D7/523
D480,267 S *	10/2003	Freed et al. ....	D7/510
D486,996 S *	2/2004	Karp .....	D7/510
D494,011 S *	8/2004	Janky et al. ....	D7/533
D502,844 S *	3/2005	Rohe .....	D7/510
D535,152 S *	1/2007	Gluck .....	D7/523

\* cited by examiner

**Related U.S. Application Data**

(62) Division of application No. 29/242,069, filed on Nov. 4, 2005, now Pat. No. Des. 544,300.

(51) **LOC (8) Cl.** ..... **07-01**

(52) **U.S. Cl.** ..... **D7/510; D7/511; D7/523**

(58) **Field of Classification Search** ..... D7/392-394, D7/509-511, 523, 531-533, 536, 605, 608, D7/619.1, 622, 624.2; 215/382, 384, 386-388, 215/392, 394, 396, 398, DIG. 7; 220/62.12, 220/592.17, 669, 696, 710, 710.5, 711, 713, 220/715, 719, 739

See application file for complete search history.

(56) **References Cited**

**U.S. PATENT DOCUMENTS**

D249,111 S *	8/1978	Geyer .....	D7/523
D408,221 S *	4/1999	Asberg .....	D7/511
D425,758 S *	5/2000	Freed .....	D7/533
D433,599 S *	11/2000	Kristiansen et al. ....	D7/523
D436,296 S *	1/2001	Freed .....	D7/523

*Primary Examiner*—T. Chase Nelson

*Assistant Examiner*—Karen Acker

(74) *Attorney, Agent, or Firm*—Clement Cheng

(57) **CLAIM**

The ornamental design for a tumbler, as shown and described.

**DESCRIPTION**

FIG. 1 is a front perspective view.

FIG. 2 is a side view.

FIG. 3 is a back view.

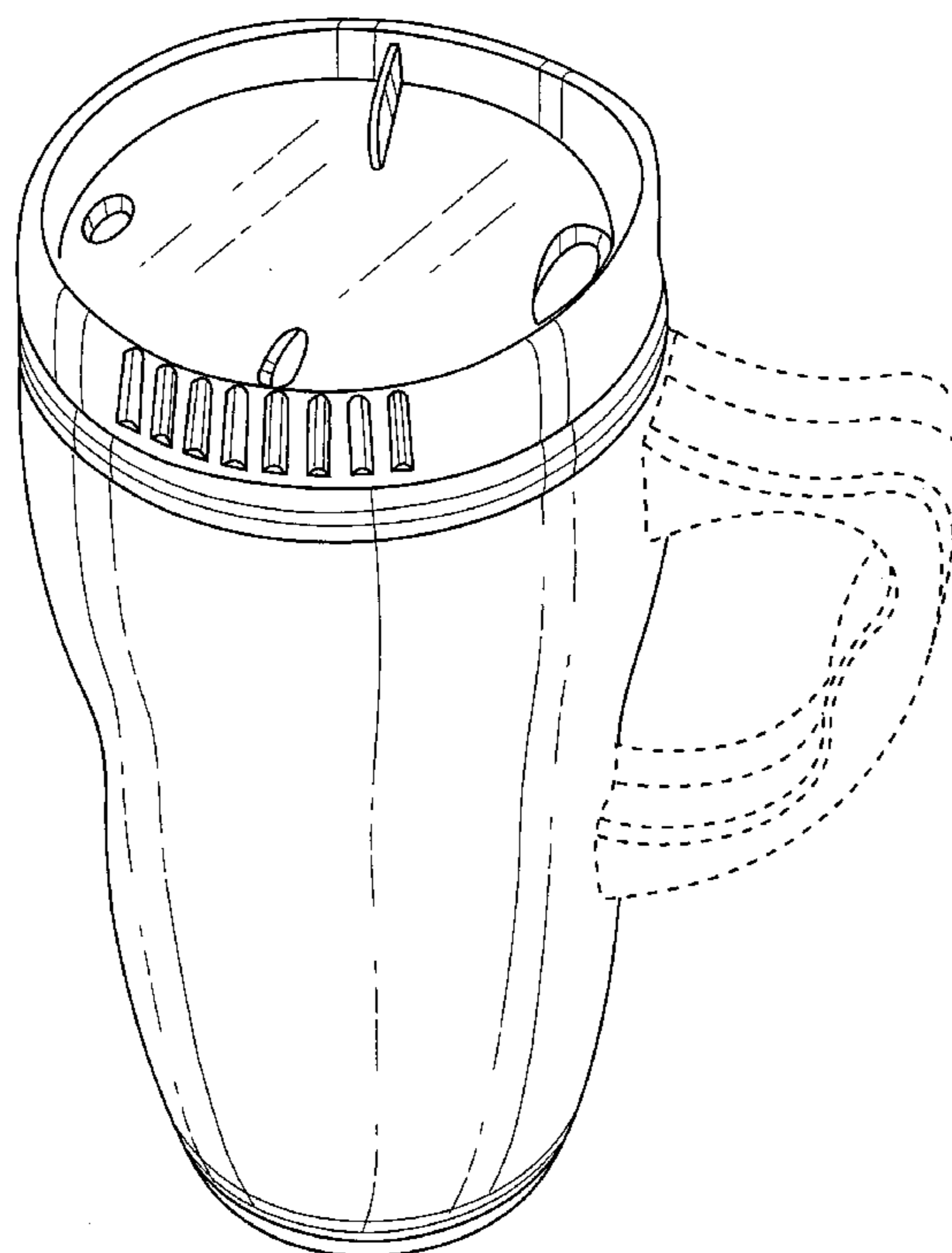
FIG. 4 is a front view.

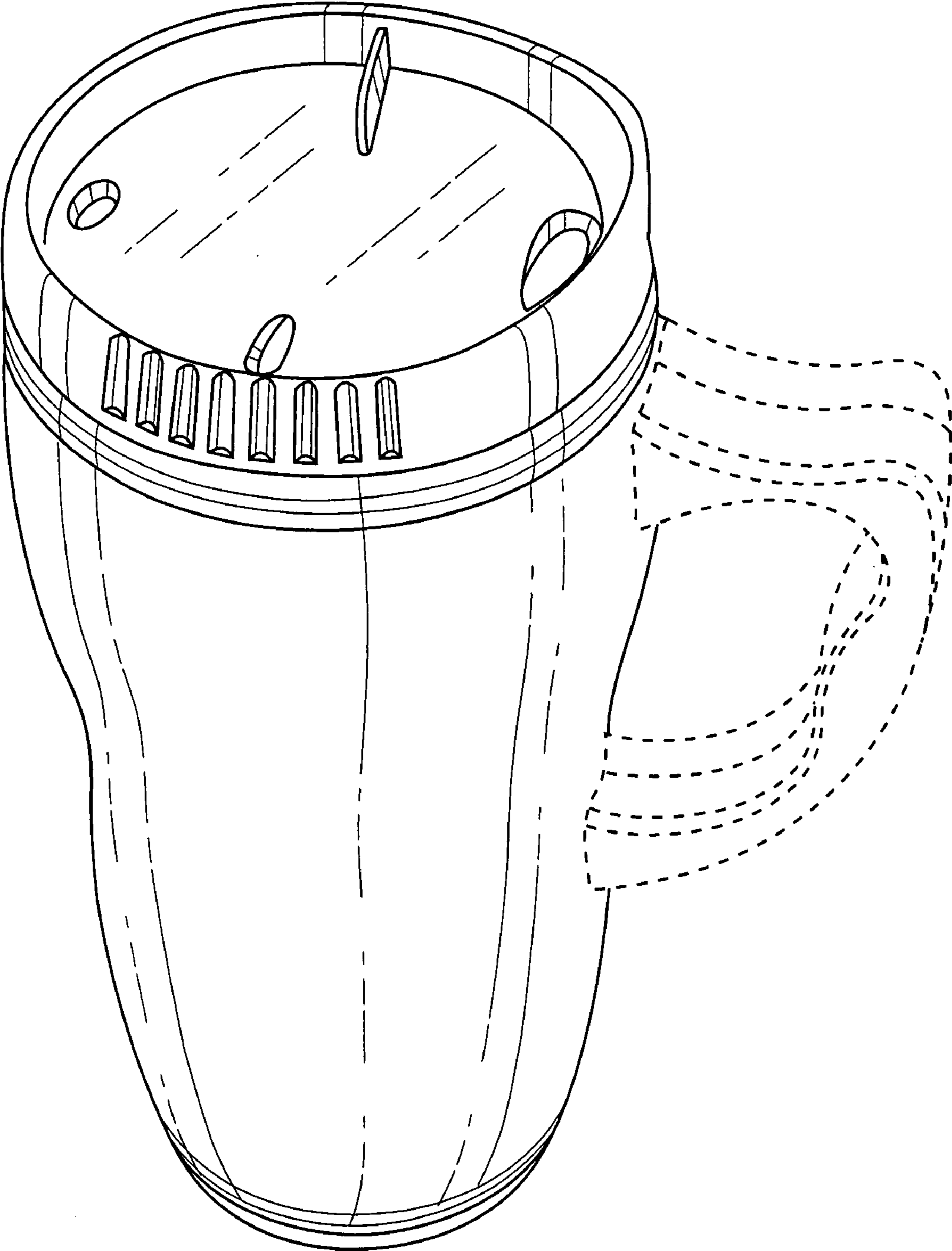
FIG. 5 is a side view opposite that of FIG. 2.

FIG. 6 is a top view; and,

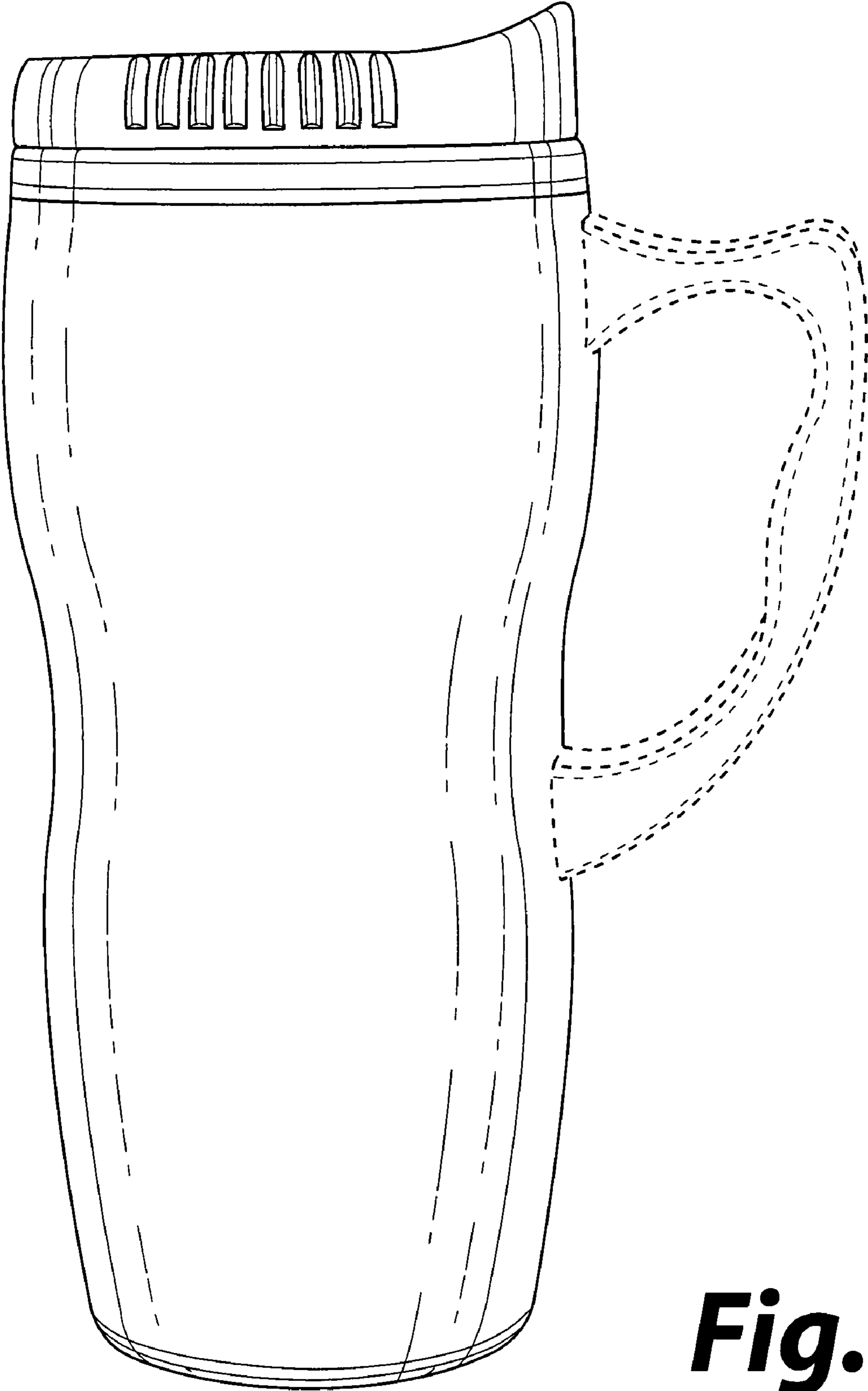
FIG. 7 is a bottom view.

**1 Claim, 7 Drawing Sheets**

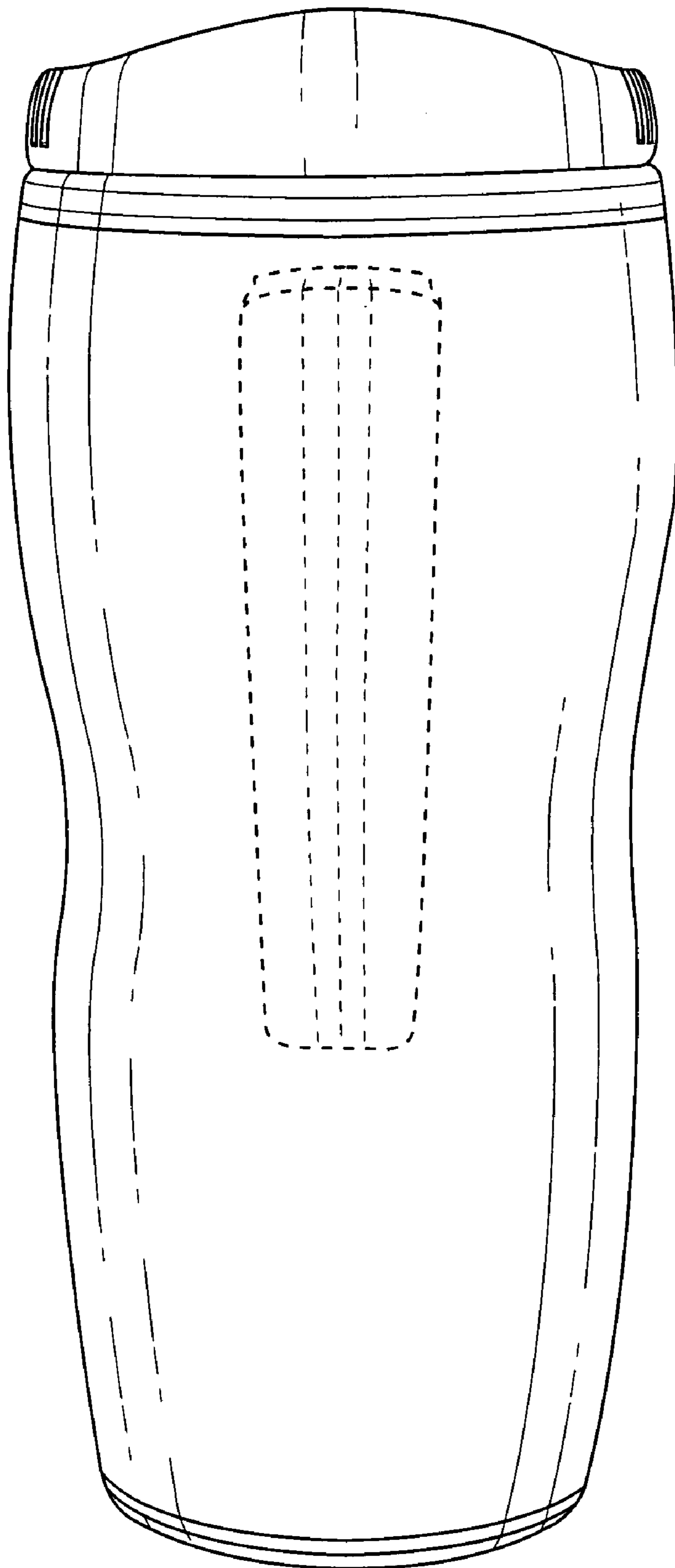




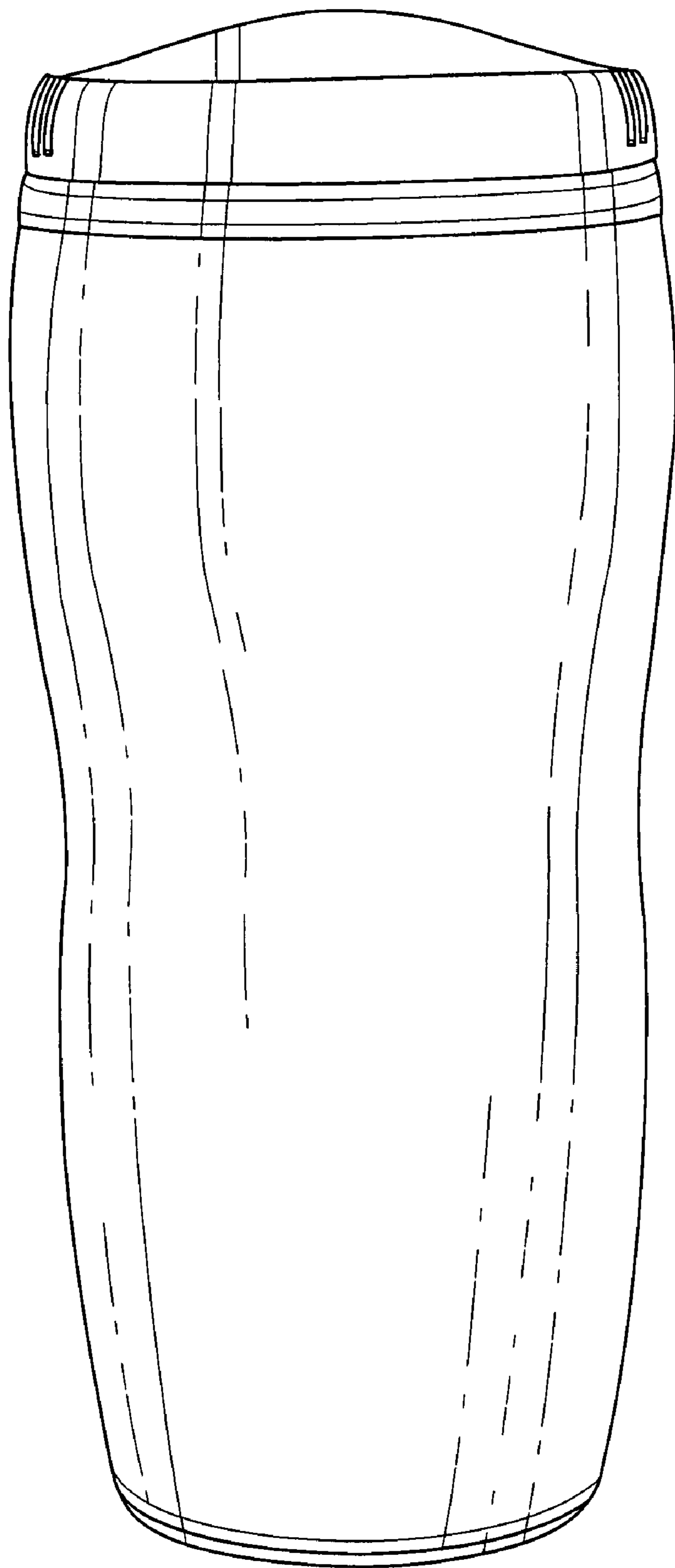
**Fig. 1**



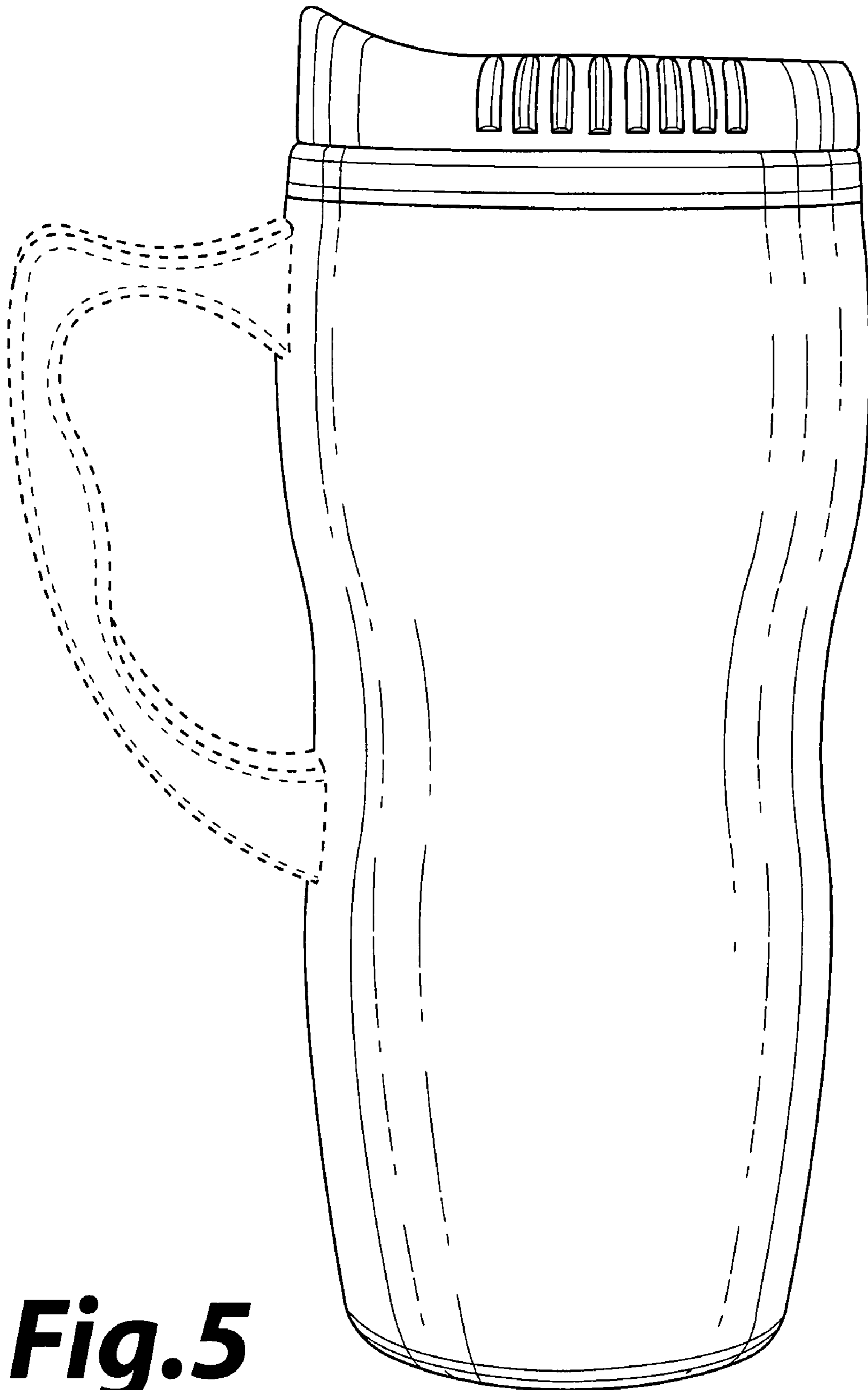
**Fig.2**



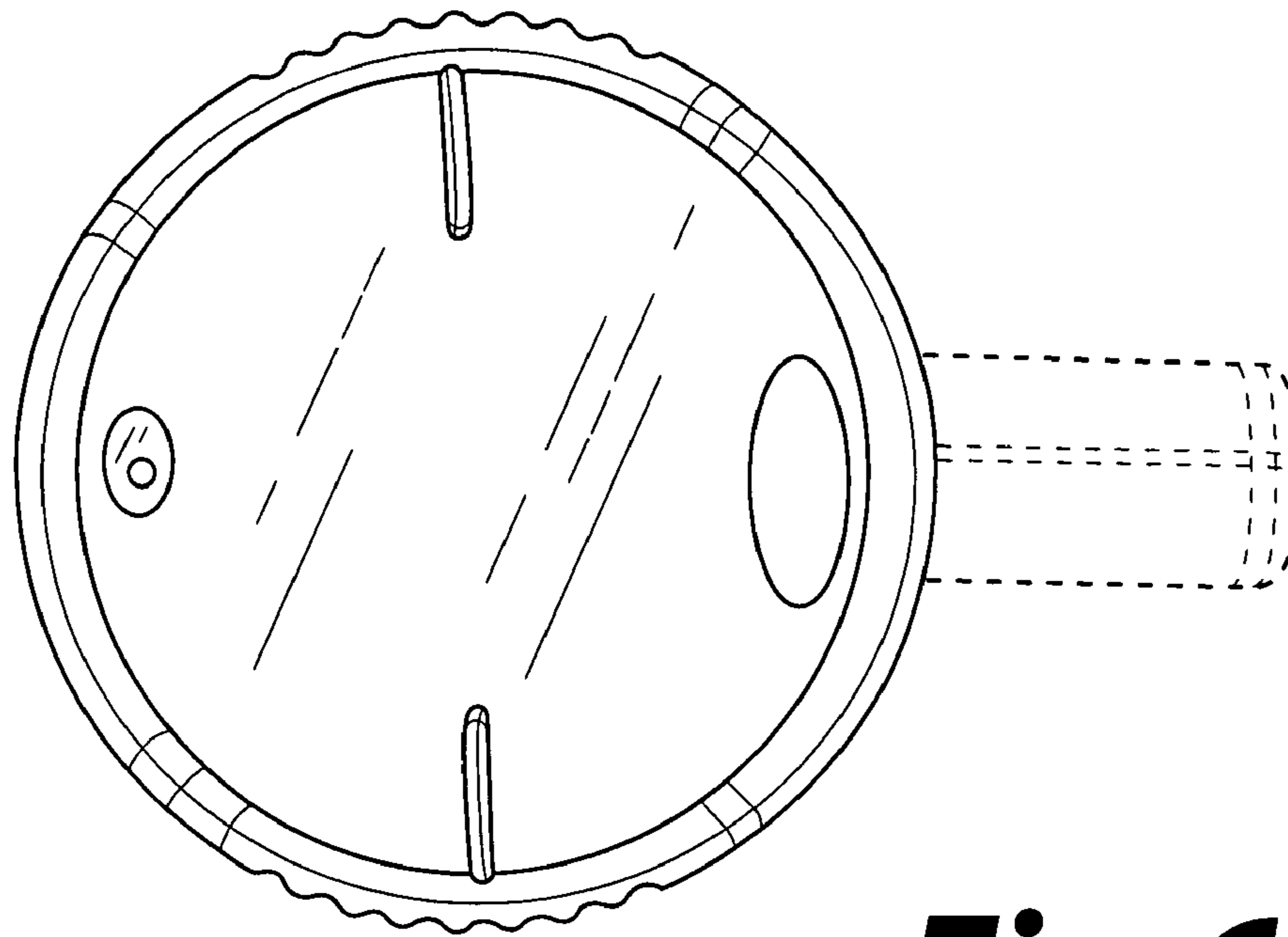
***Fig.3***



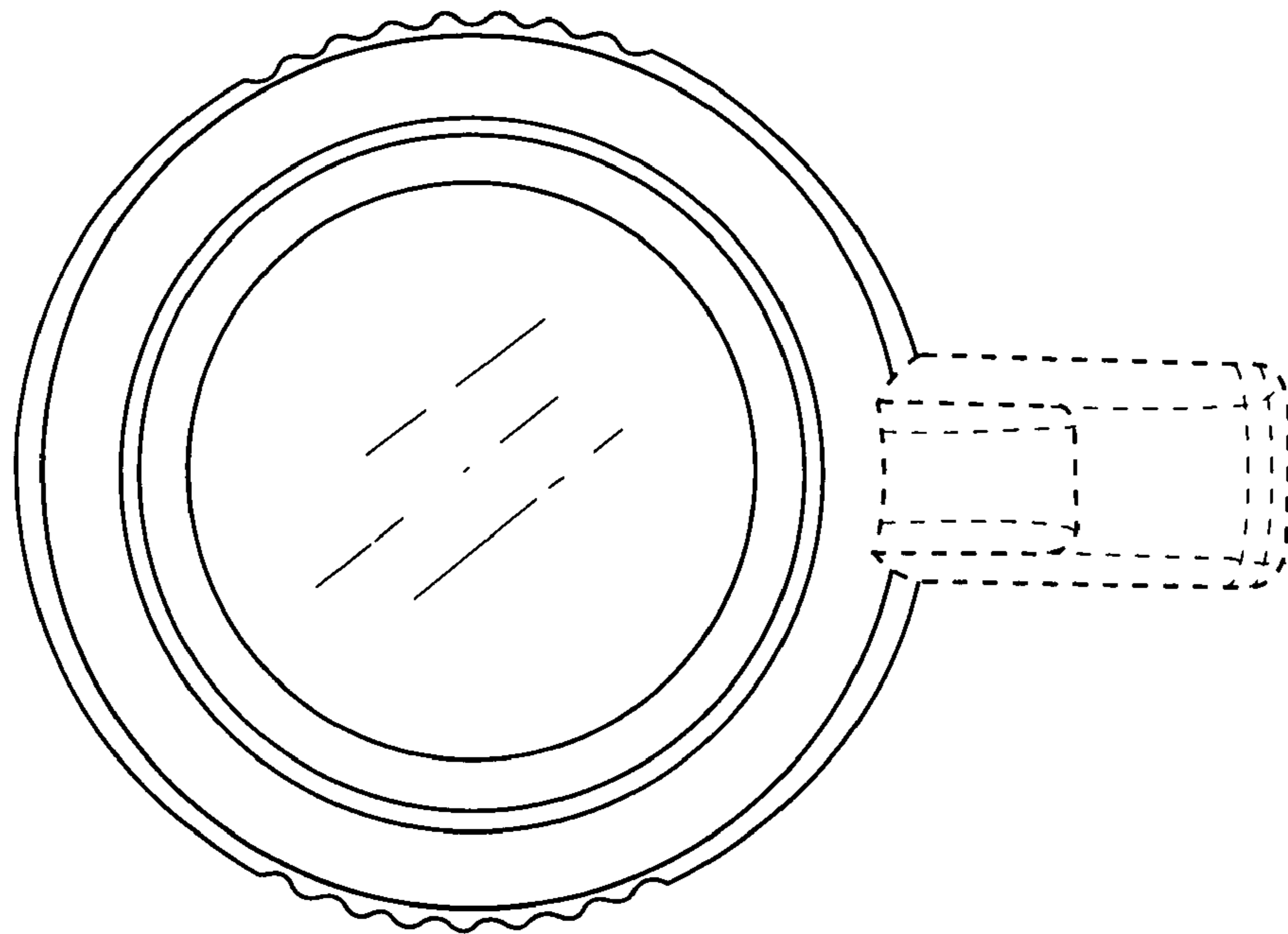
**Fig.4**



**Fig. 5**



***Fig.6***



***Fig.7***