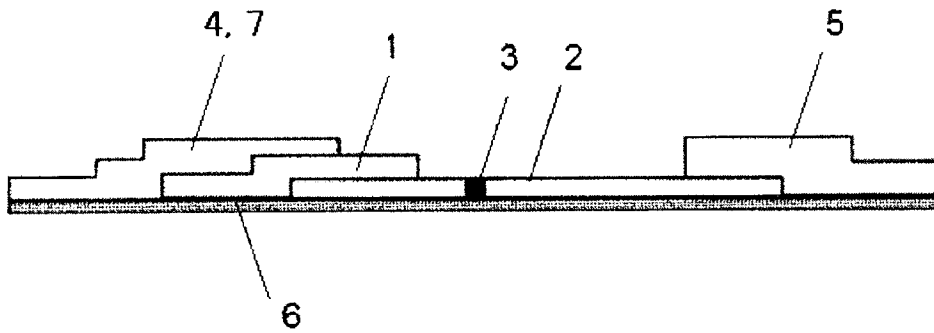


### Abstract

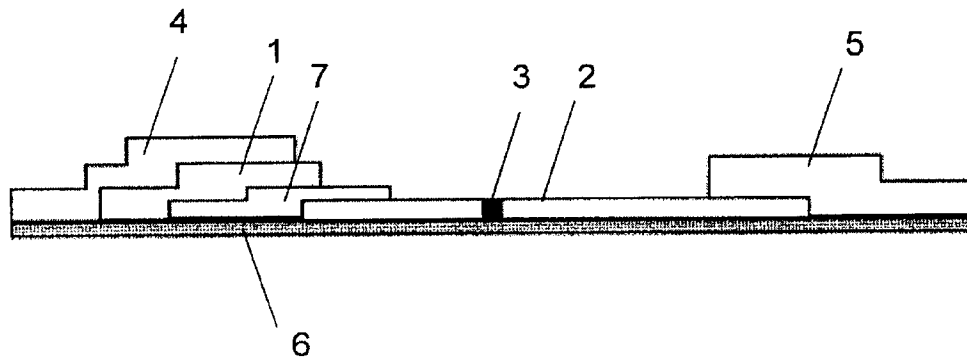
#### “METHOD FOR DETECTING SPECIFIC SUBSTANCE IN MILK”

An immunochromatographic method for detecting a specific substance contained in milk, which comprises (1) the step of contacting the milk with a test strip having a first part retaining a labeled first antibody directed to the specific substance or the specific substance that is labeled, a second part disposed downstream from the first part, on which a second antibody directed to the specific substance is immobilized, and a third part disposed upstream from the first part or the second part and having voids enabling removal of milk fat globules contained in the milk, at the third part or a further upstream part, and (2) the step of flowing the milk up to the second part or a further downstream part to obtain a detectable signal of the label at the second part or a further downstream part.

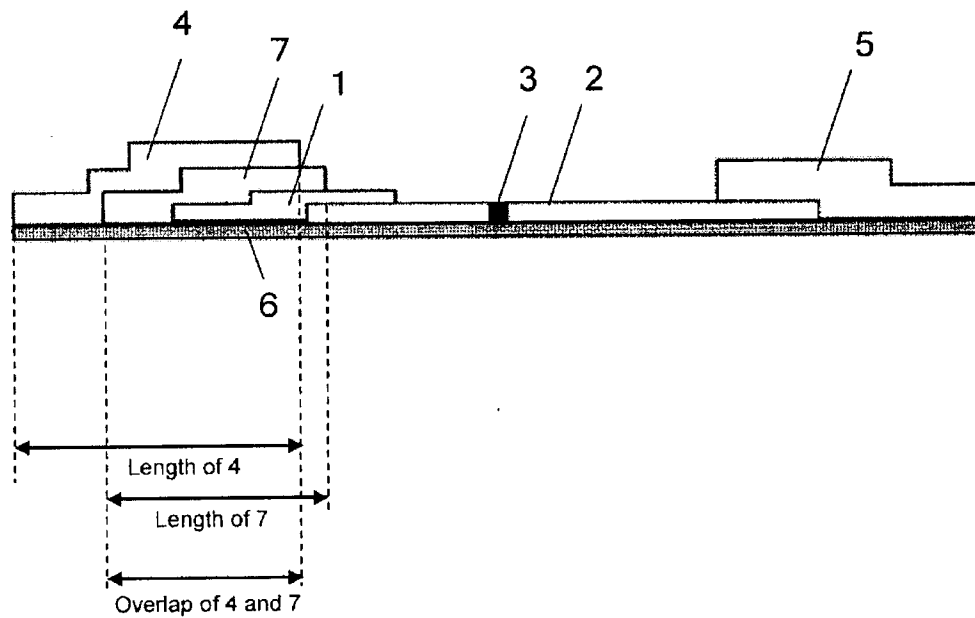
[Fig.1]



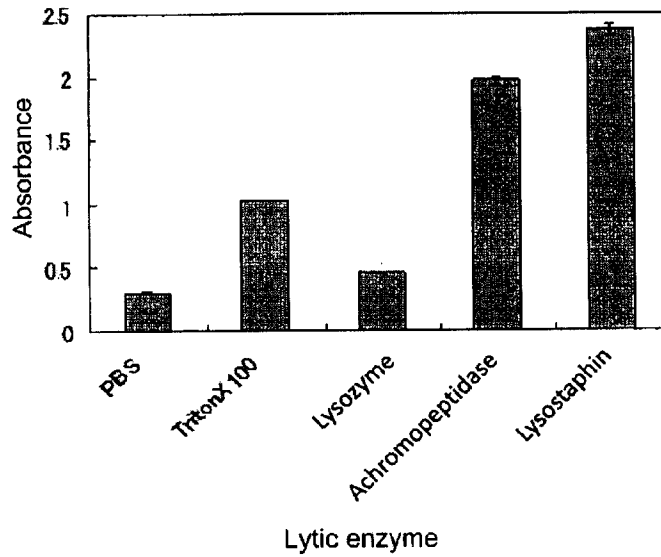
[Fig.2]



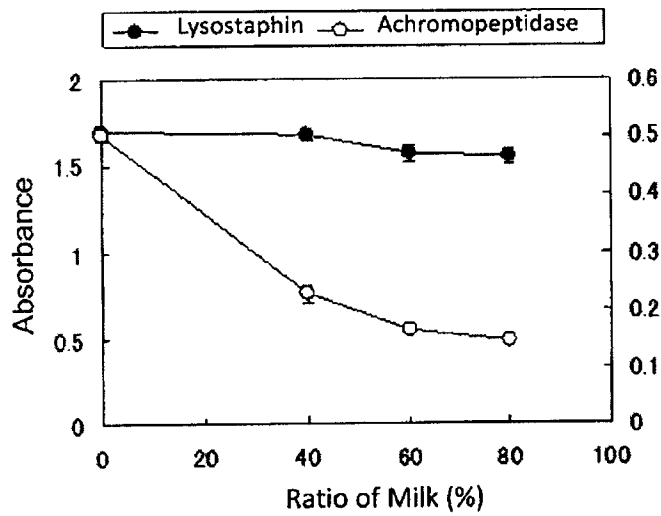
[Fig.3]



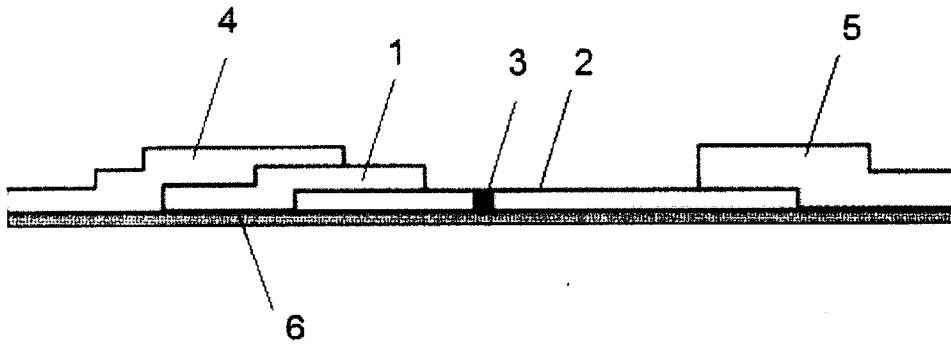
[Fig.4]



[Fig.5]



[Fig.6]



[Fig.7]

