



(12) **United States Design Patent**  
**Wang**

(10) **Patent No.:** **US D1,030,467 S**  
(45) **Date of Patent:** **\*\* Jun. 11, 2024**

(54) **WIRE CLIP**

- (71) Applicant: **Pengxiang Wang**, Lianyungang (CN)
- (72) Inventor: **Pengxiang Wang**, Lianyungang (CN)
- (\*\*) Term: **15 Years**
- (21) Appl. No.: **29/923,889**
- (22) Filed: **Jan. 3, 2024**
- (51) **LOC (14) Cl.** ..... **08-08**
- (52) **U.S. Cl.**  
USPC ..... **D8/396**
- (58) **Field of Classification Search**  
USPC ..... D8/349, 380, 382, 394, 395, 396, 364;  
D13/154  
CPC ..... F16L 3/327; F16L 3/22; F16L 3/00; F16L  
3/08; H02G 3/32  
See application file for complete search history.

OTHER PUBLICATIONS

Cable Clips with Large Adhesive Surface, posted Jul. 27, 2023 [online], [retrieved Mar. 19, 2024]. Retrieved from internet, <https://www.amazon.com/Adhesive-SurfaceCable-Management-Organizer-Transparent/dp/B0CCY97P1K/> (Year: 2023).\*

\* cited by examiner

*Primary Examiner* — Calvin E Vasant  
*Assistant Examiner* — Benjamin L. Gray  
(74) *Attorney, Agent, or Firm* — George D. Morgan

(56) **References Cited**

U.S. PATENT DOCUMENTS

D168,491	S	*	12/1952	Alvarez	.....	D8/395
D177,955	S	*	6/1956	Arbogast	.....	D8/355
2,858,093	A	*	10/1958	Werner	..... E21B	17/1035
						174/136
D186,435	S	*	10/1959	Wilson	.....	D8/395
D241,709	S	*	10/1976	Bouche	.....	D8/356
D256,963	S	*	9/1980	Harrington	.....	D3/206
D353,578	S	*	12/1994	Johnson	.....	D13/154
D367,999	S	*	3/1996	McCallum	.....	D8/395
D436,223	S	*	1/2001	Pascanu	.....	D27/161
6,760,530	B1	*	7/2004	Mandry	..... G02B	6/4471
						439/528
D800,536	S	*	10/2017	Kelley	.....	D8/354
D950,370	S		5/2022	DeVore et al.		
D1,009,599	S	*	1/2024	Claudin	..... E04F	15/02022
						D8/354
2021/0296875	A1	*	9/2021	Lee	..... B65H	75/4473

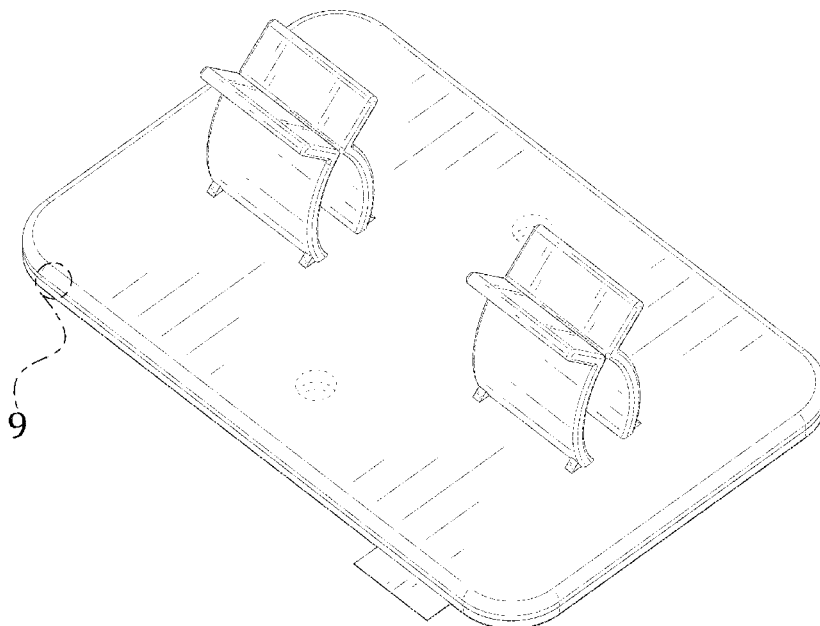
(57) **CLAIM**

The ornamental design for a wire clip, as shown and described.

**DESCRIPTION**

FIG. 1 is a front perspective view of a wire clip, showing my new design;  
FIG. 2 is a rear perspective view thereof;  
FIG. 3 is a front view thereof;  
FIG. 4 is a rear view thereof;  
FIG. 5 is a left side view thereof;  
FIG. 6 is a right side view thereof;  
FIG. 7 is a top view thereof;  
FIG. 8 is a bottom view thereof; and,  
FIG. 9 is an enlarged detail view of area 9 in FIG. 1.  
The broken lines in the drawings illustrate the portions of the wire clip, which form no part of the claimed design.  
The dash-dot-dash broken lines represent boundaries of the enlarged portion and form no part of the claimed design.

**1 Claim, 9 Drawing Sheets**



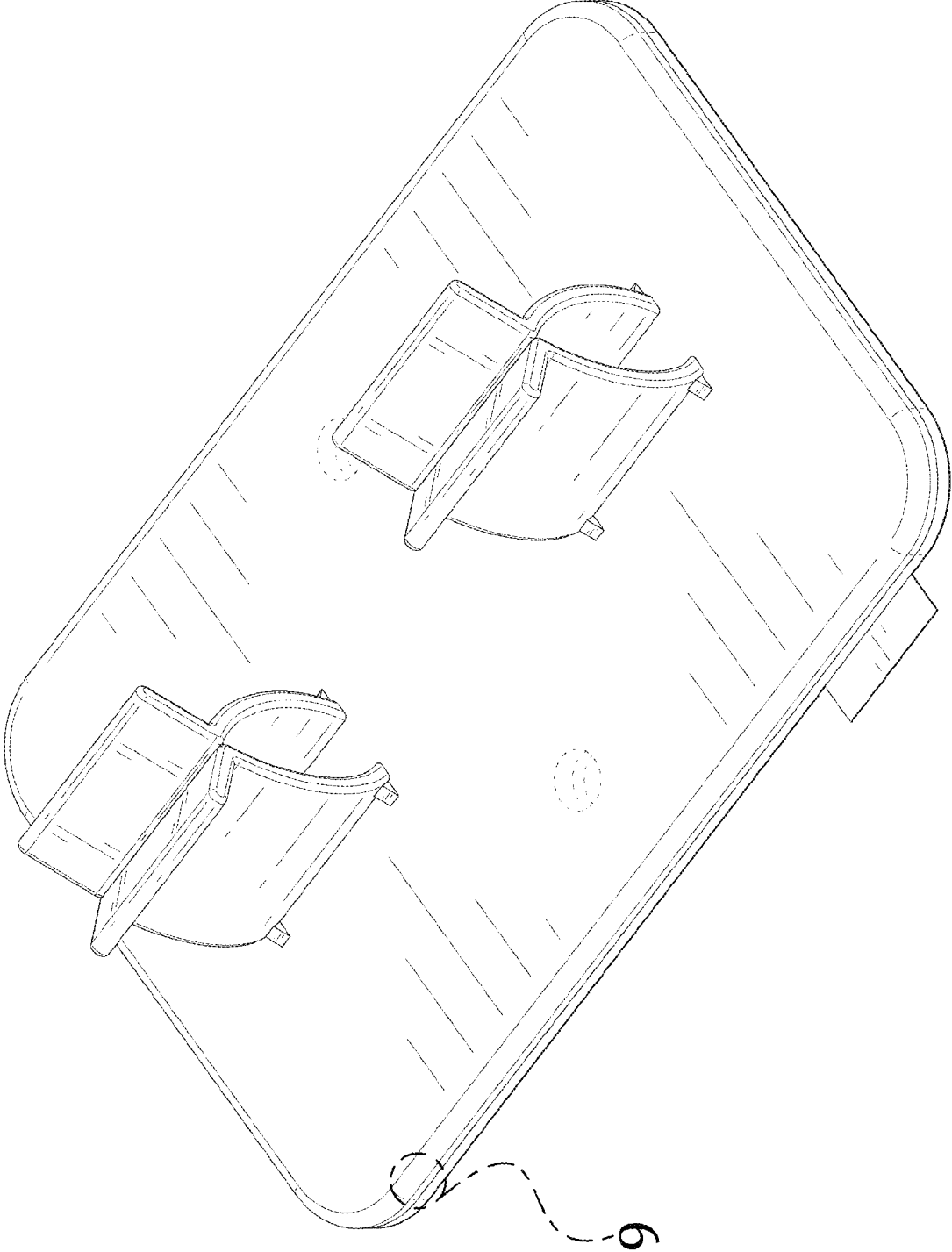


FIG. 1

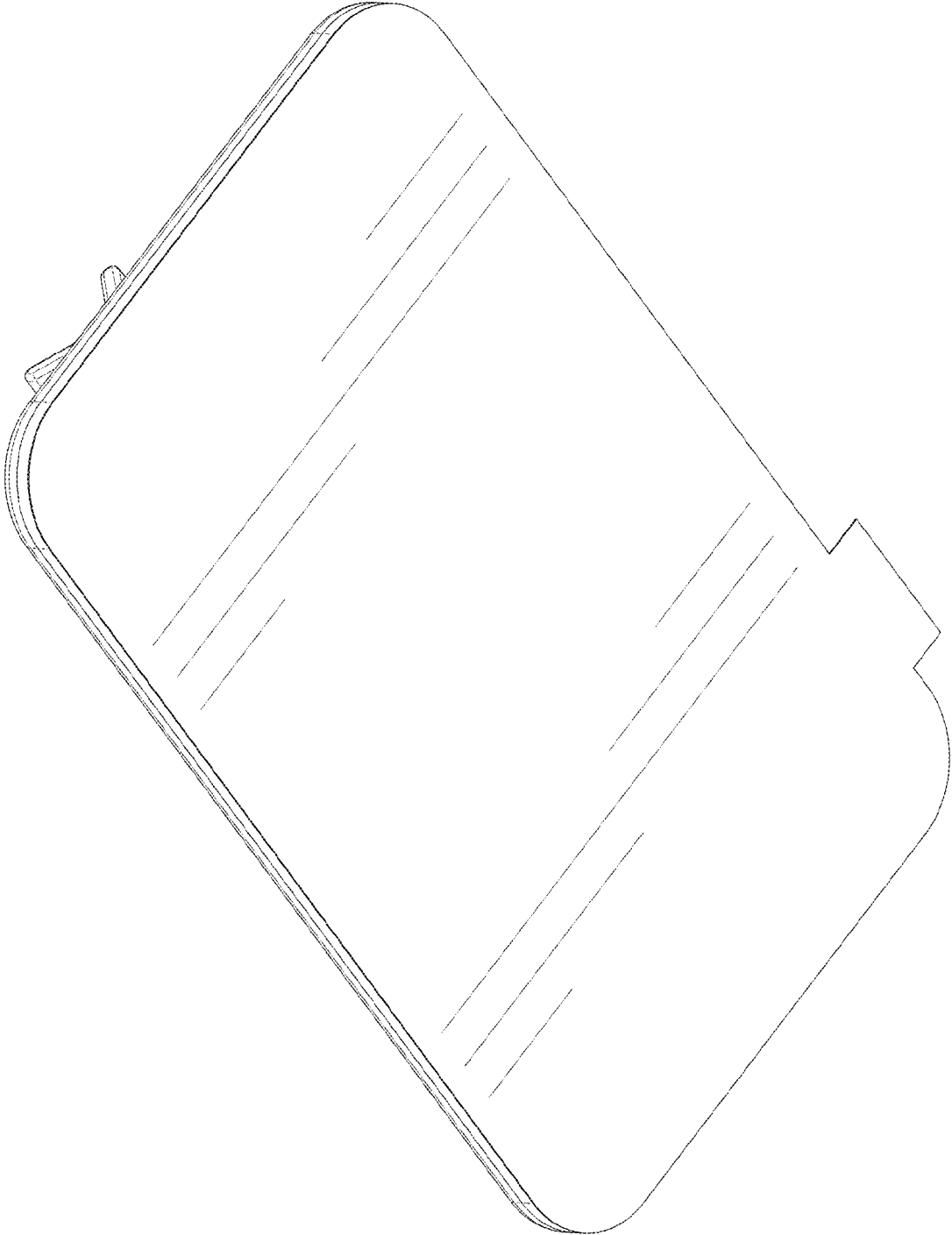


FIG. 2

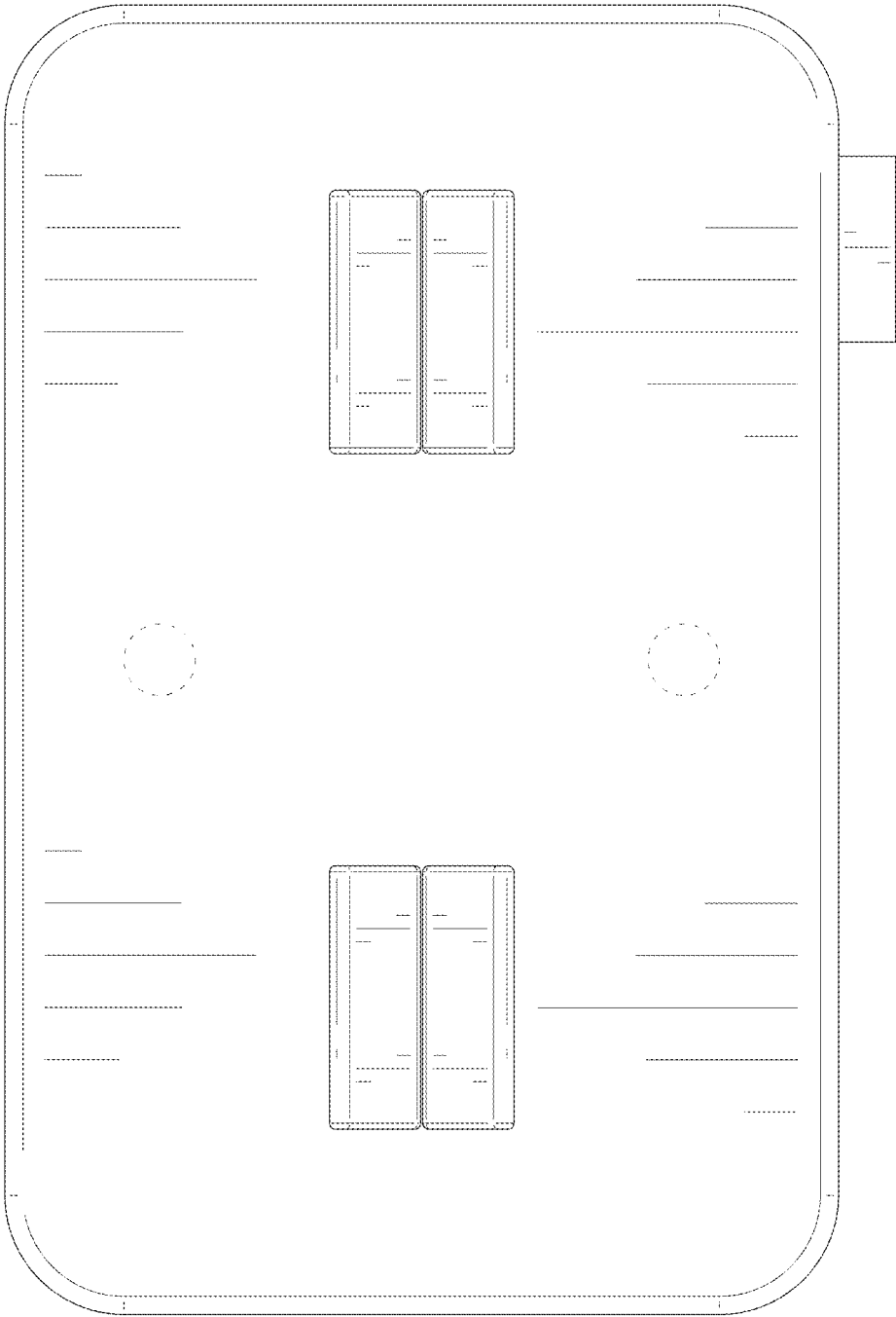


FIG. 3

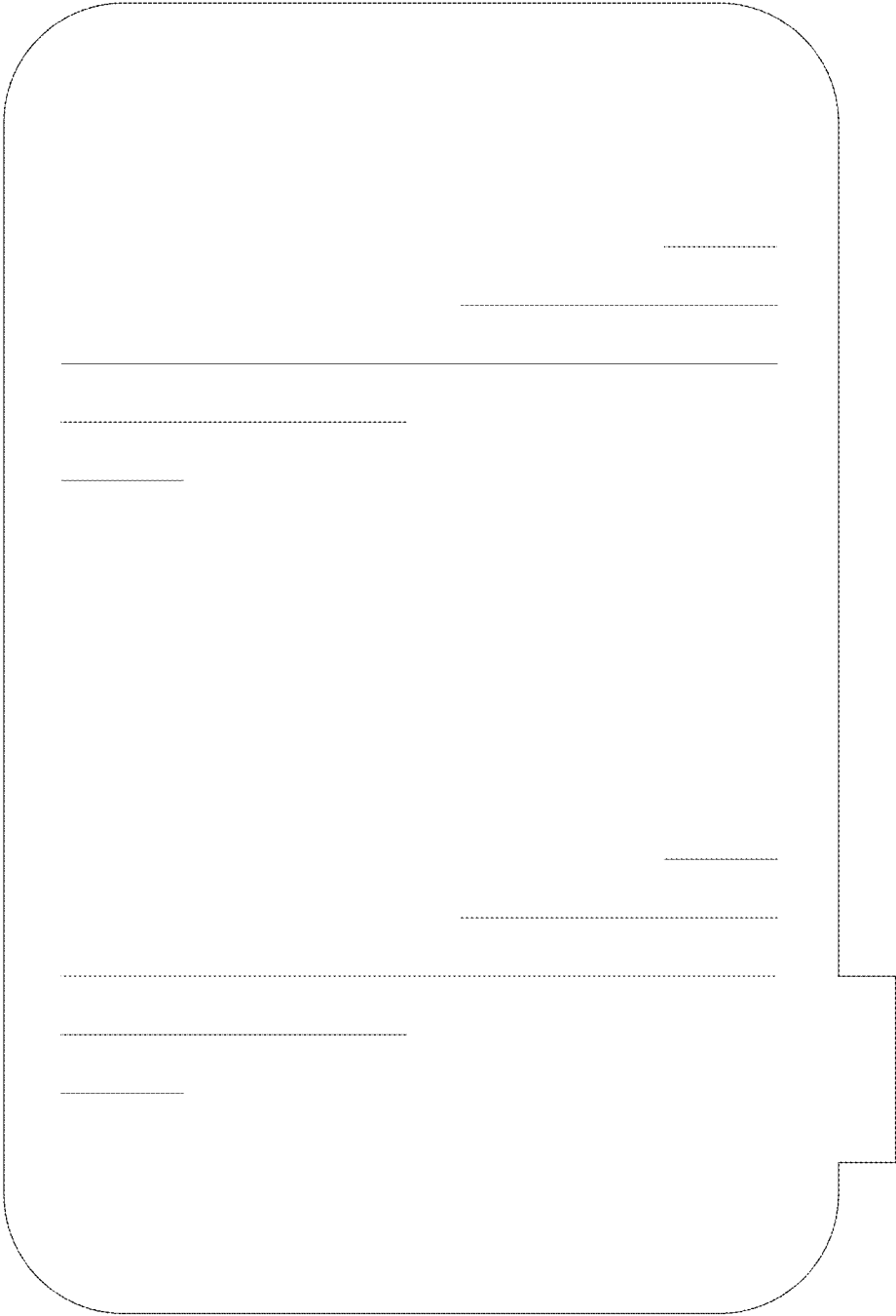


FIG. 4

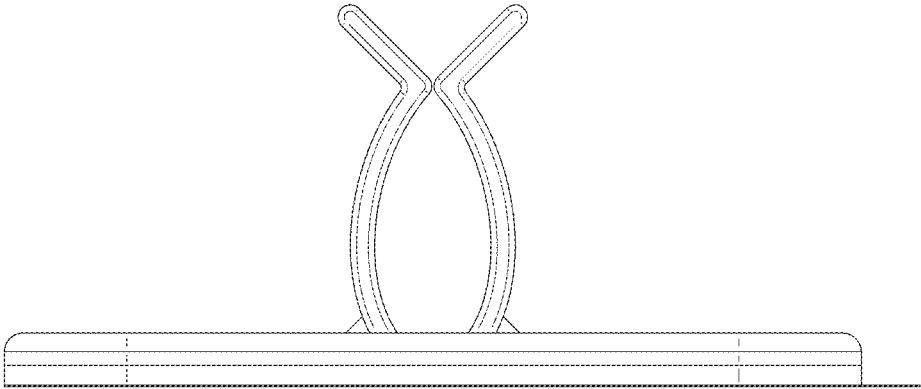


FIG. 5

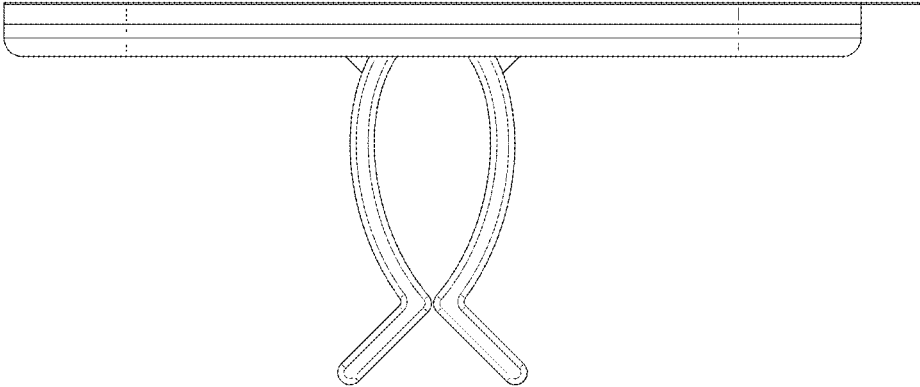


FIG. 6

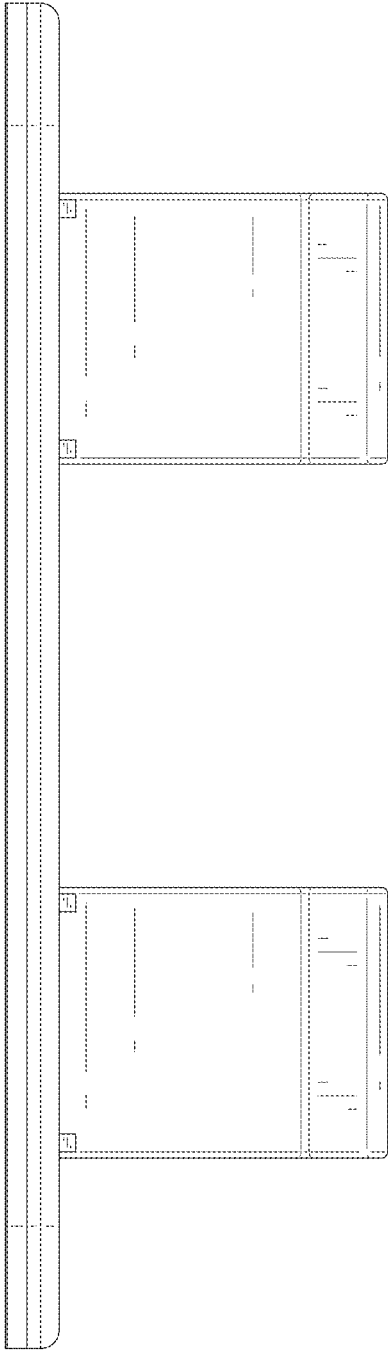


FIG. 7



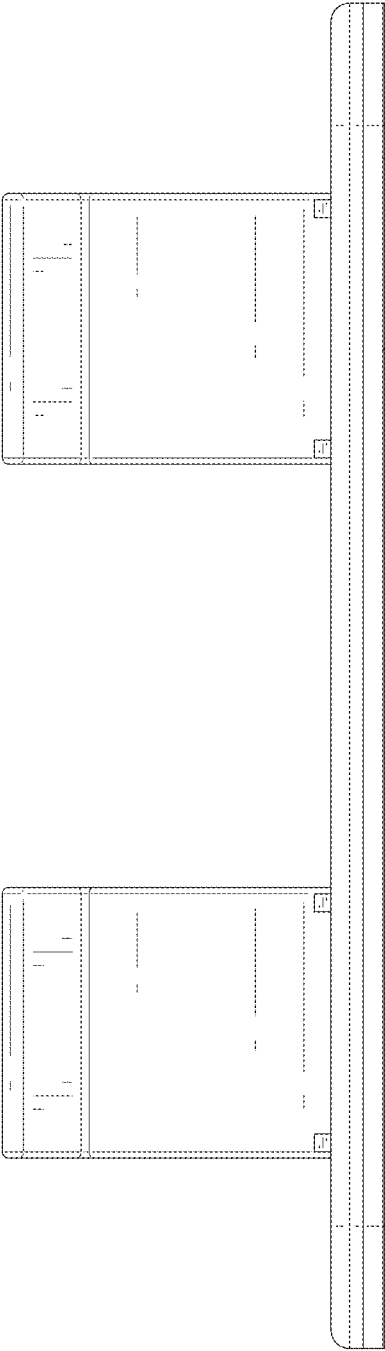


FIG. 8

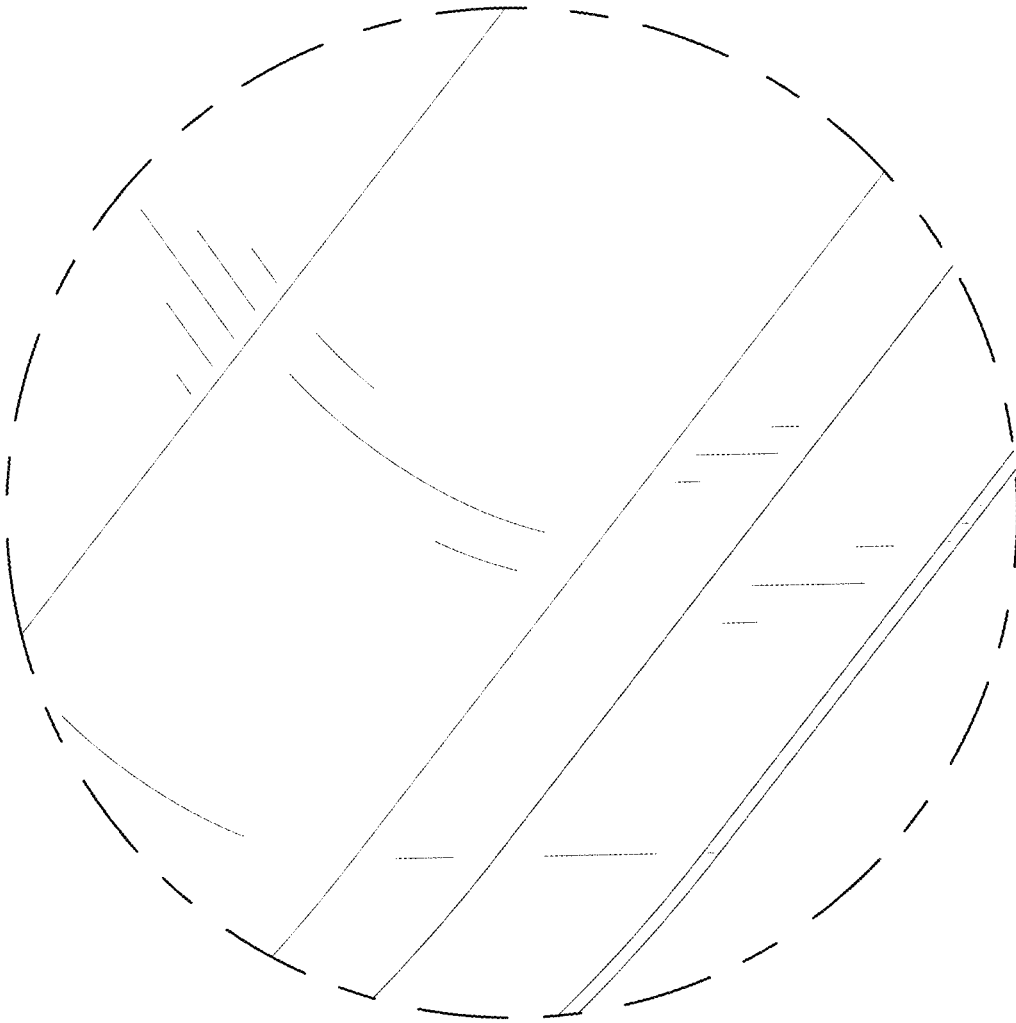


FIG. 9