



US00D429862S

United States Patent [19]

[11] Patent Number: Des. 429,862

Houry et al.

[45] Date of Patent: ** Aug. 22, 2000

[54] MOP BUCKET SIDE WALL

5,440,778 8/1995 De Guzman .
5,548,865 8/1996 Pagani .
5,615,447 4/1997 Hardesty et al. .

[75] Inventors: **Robert L. Houry; Richard H. Brooks,**
both of Chesterfield, Mo.

Primary Examiner—Robin V. Taylor
Attorney, Agent, or Firm—Howell & Haferkamp, LC

[73] Assignee: **Contico International, Inc.,** St. Louis,
Mo.

[57] CLAIM

[**] Term: **14 Years**

The ornamental design for a mop bucket side wall, as shown and described.

[21] Appl. No.: **29/112,059**

[22] Filed: **Oct. 6, 1999**

DESCRIPTION

[51] **LOC (7) Cl.** **07-07**

[52] **U.S. Cl.** **D32/53**

[58] **Field of Search** D32/53, 53.1,
D32/54; 220/904; 15/260, 262, 264

FIG. 1 is a perspective view of a mop bucket side wall showing our new design;

FIG. 2 is rear elevation view of the mop bucket side wall of FIG. 1;

FIG. 3 is a front elevation view of the mop bucket side wall of FIG. 1;

FIG. 4 is a left side elevation view of the mop bucket side wall of FIG. 1, the right side elevation view being a mirror image thereof;

FIG. 5 is a top plan view of the mop bucket side wall of FIG. 1;

FIG. 6 is a bottom plan view of the mop bucket side wall of FIG. 1;

FIG. 7 is a perspective view of a second embodiment of a mop bucket side wall showing our new design;

FIG. 8 is a rear elevation view of the mop bucket side wall of FIG. 7;

FIG. 9 is front elevation view of the mop bucket side wall of FIG. 7;

FIG. 10 is a left side elevation view of the mop bucket side wall of FIG. 7, the right elevation view being a mirror image thereof;

FIG. 11 is a top plan view of the mop bucket side wall of FIG. 7; and,

FIG. 12 is a bottom plan view of the mop bucket side wall of FIG. 7 .

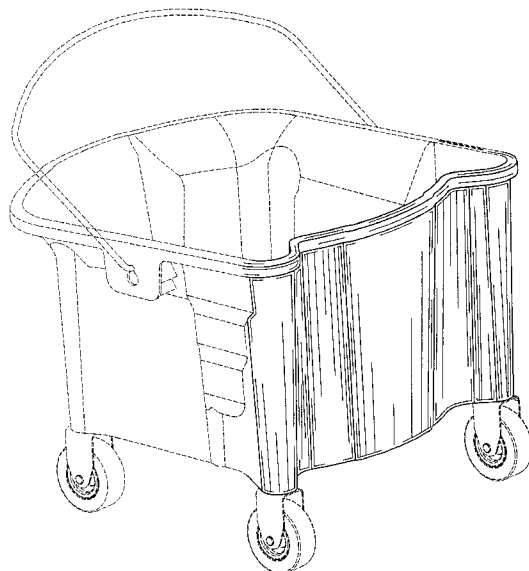
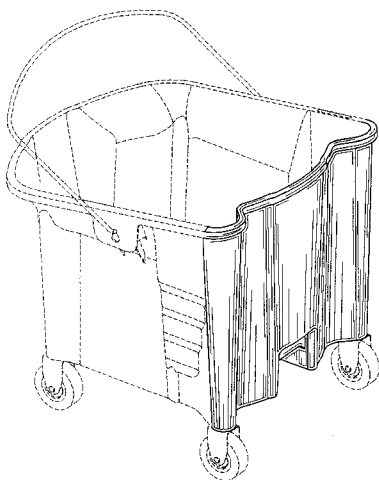
The broken line portions in the drawings are for illustrative purposes only and form no part of the claimed design.

[56] References Cited

U.S. PATENT DOCUMENTS

D. 216,277	12/1969	James .	
D. 233,003	10/1974	Karn, Jr. et al. .	
D. 236,796	9/1975	Deuschle	D32/53
D. 248,610	7/1978	Schwartz .	
D. 270,961	10/1983	Hawkins et al. .	
D. 286,096	10/1986	Jaros et al. .	
D. 289,452	4/1987	Fuller .	
D. 320,295	9/1991	Delmerico .	
D. 344,379	2/1994	Clark, Jr. .	
D. 345,236	3/1994	Chen .	
D. 353,241	12/1994	Breen .	
D. 355,736	2/1995	Licari .	
D. 374,321	10/1996	Mandell et al. .	
D. 395,530	6/1998	Mandell et al. .	
D. 395,531	6/1998	Mandell et al. .	
D. 417,051	11/1999	Dickinson et al.	D32/53
3,747,154	7/1973	O'Neil .	
4,713,859	12/1987	Smith, Jr. .	
4,716,619	1/1988	Young .	
4,815,160	3/1989	Smith, Jr. .	
5,199,571	4/1993	Wolff et al. .	
5,333,353	8/1994	Taylor .	
5,414,892	5/1995	Clark, Jr. .	

1 Claim, 12 Drawing Sheets



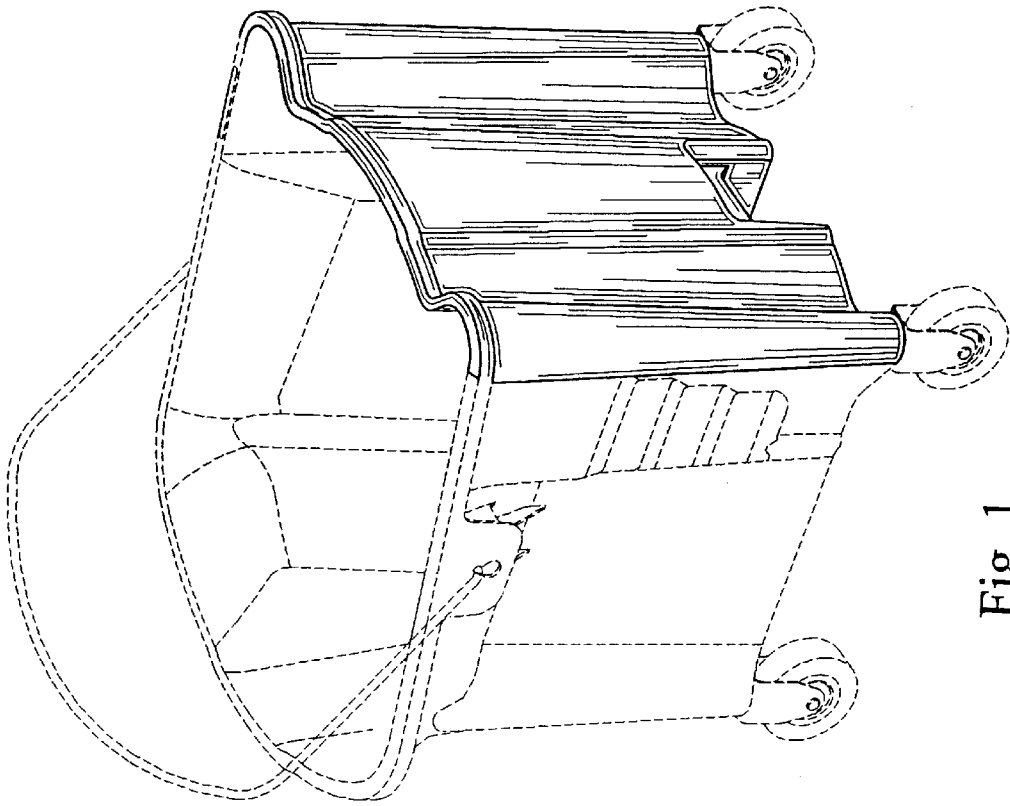


Fig. 1

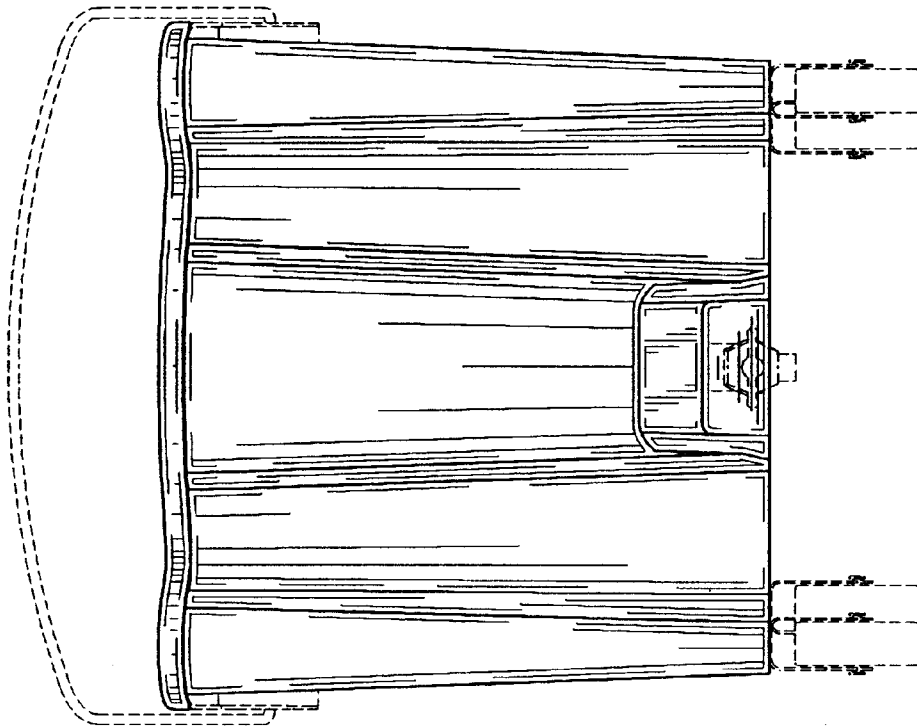


Fig. 2

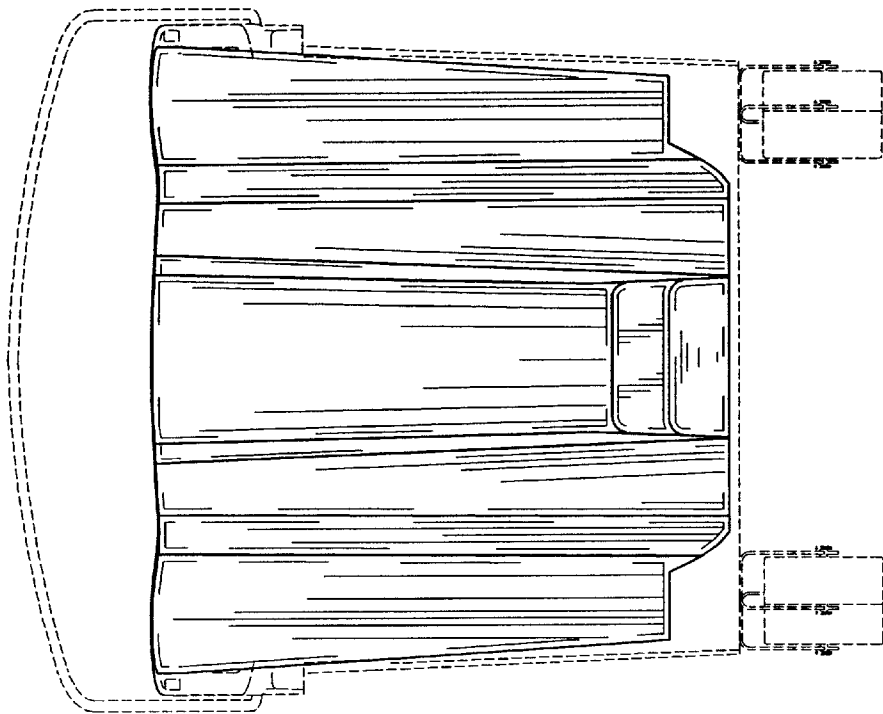


Fig. 3

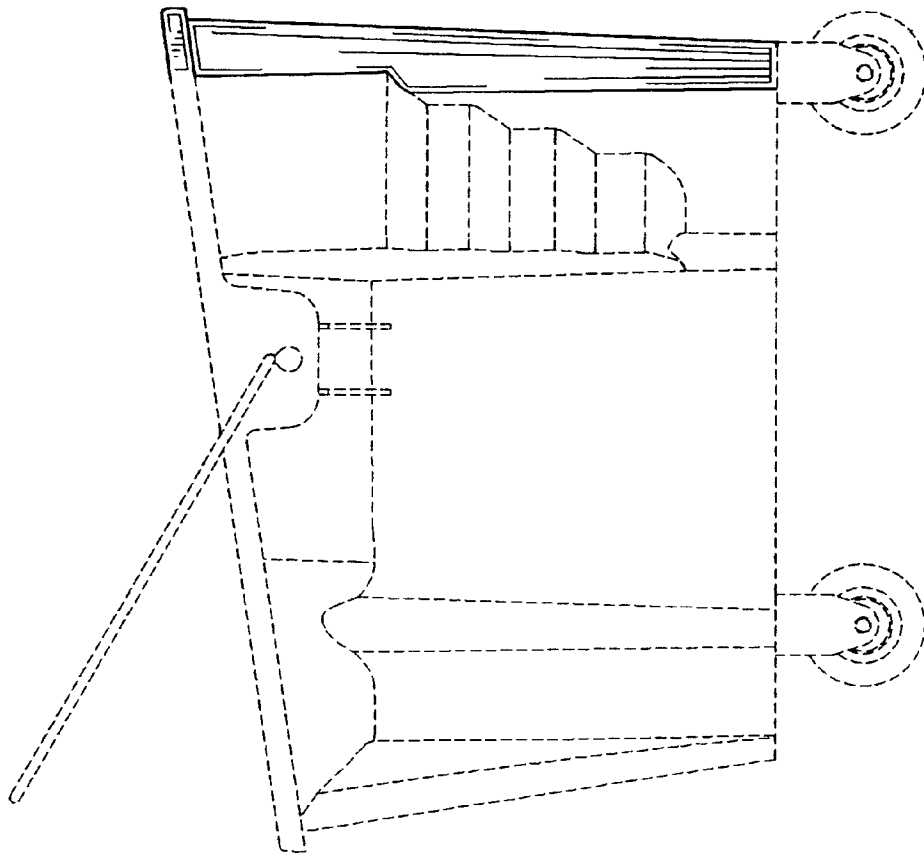


Fig. 4

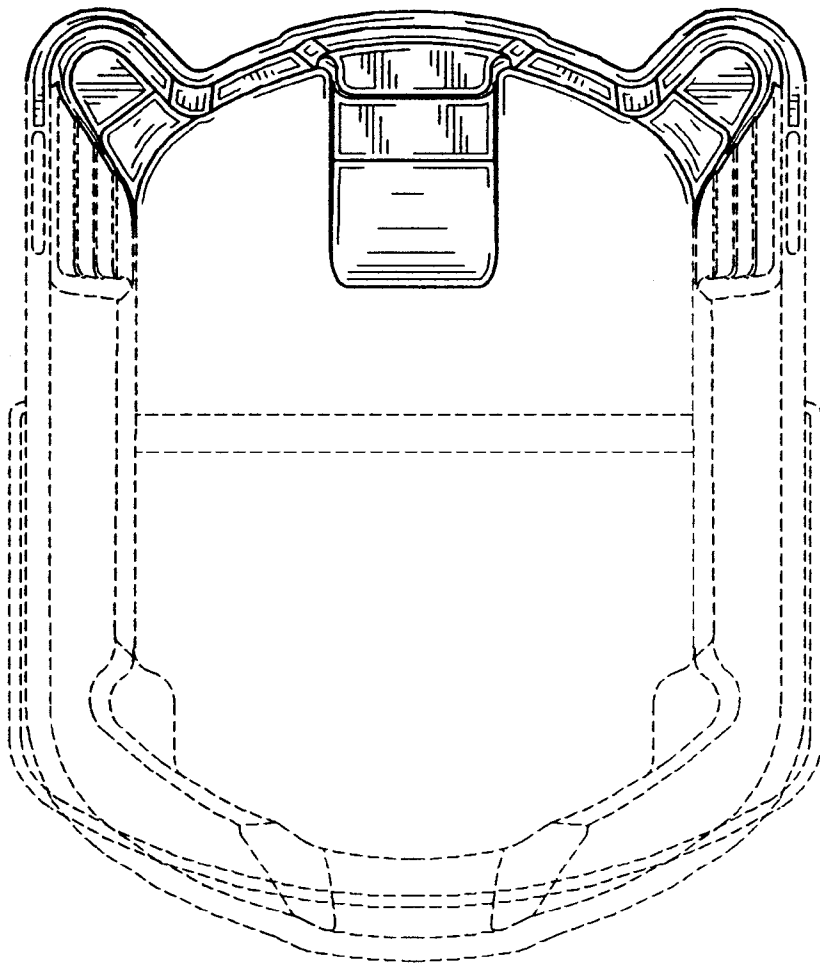


Fig. 5

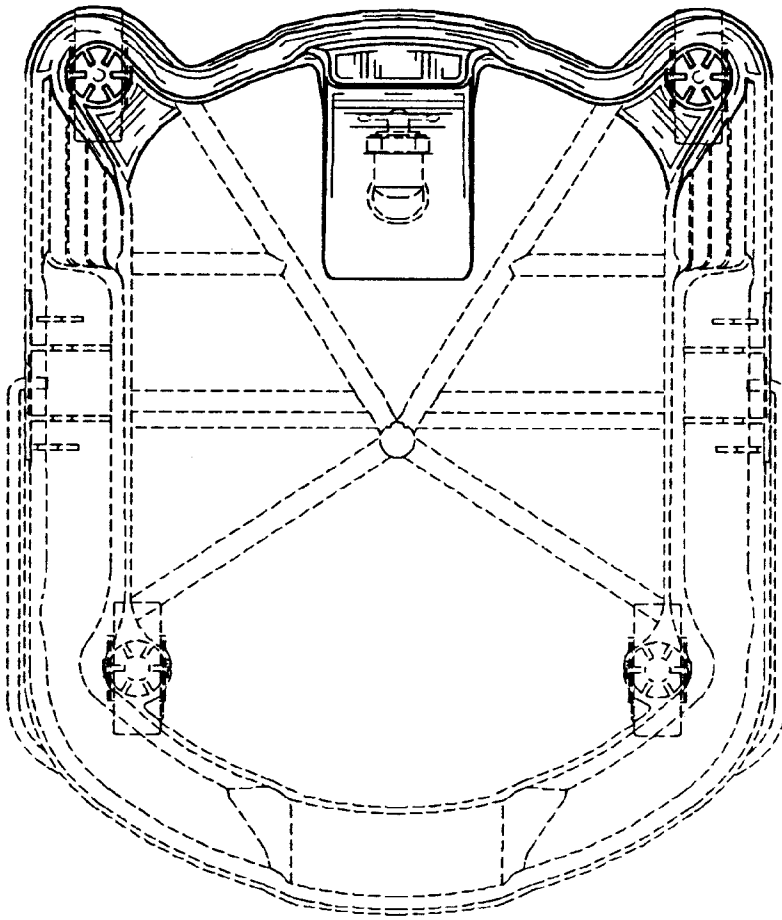


Fig. 6

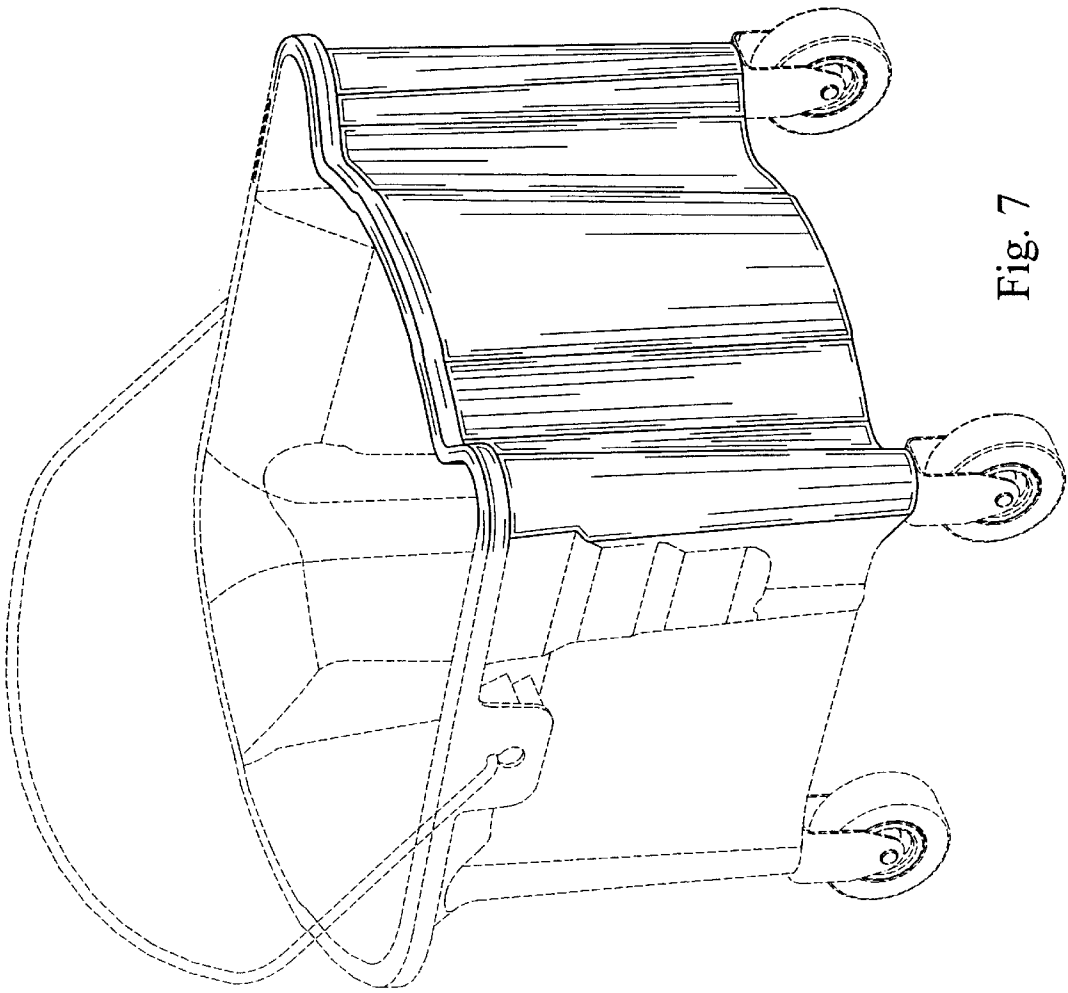


Fig. 7

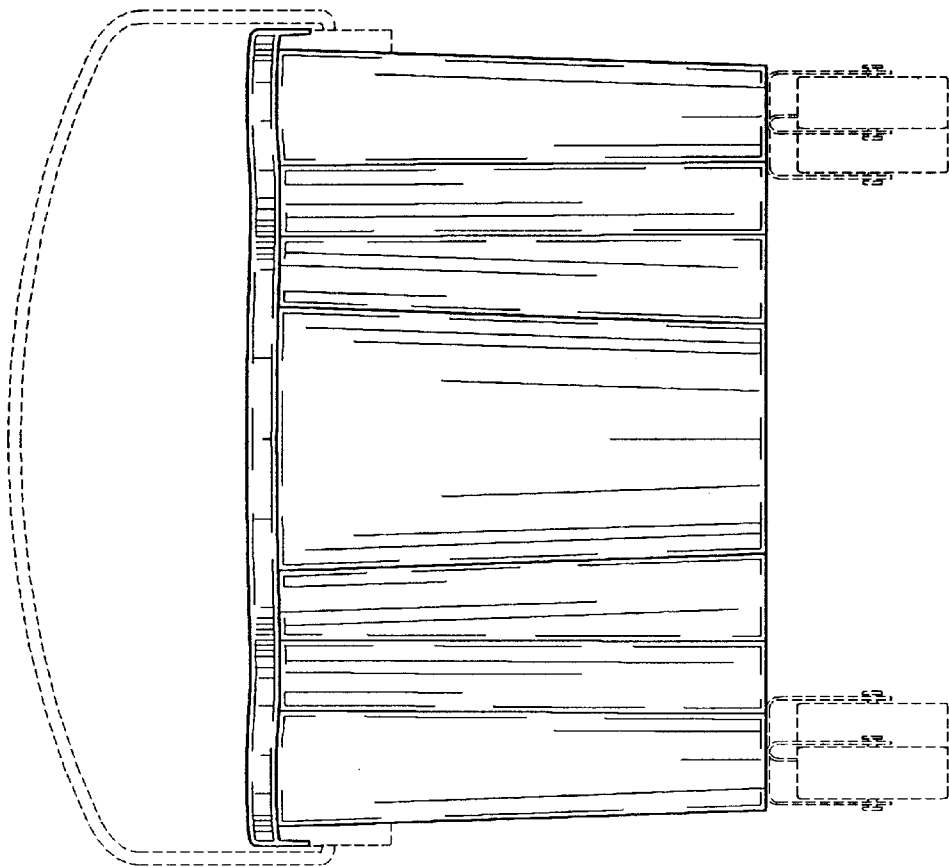


Fig. 8

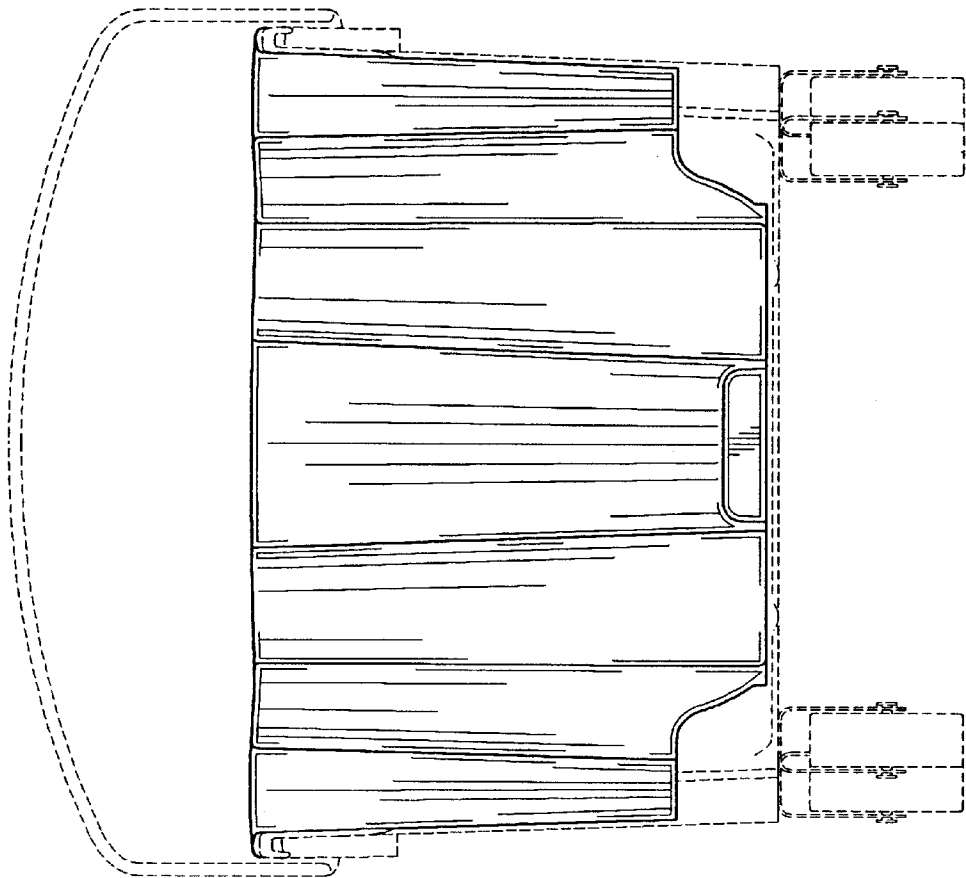


Fig. 9

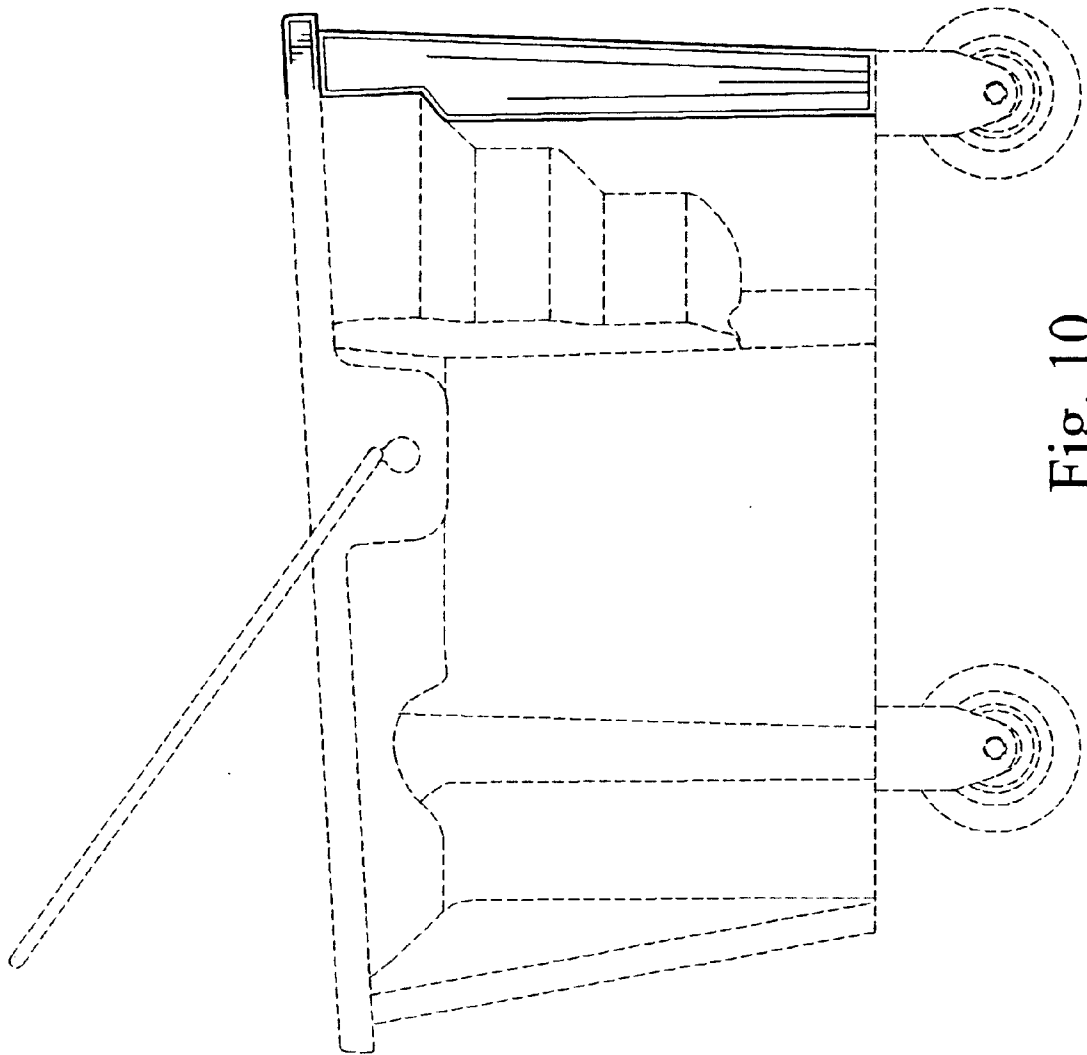


Fig. 10

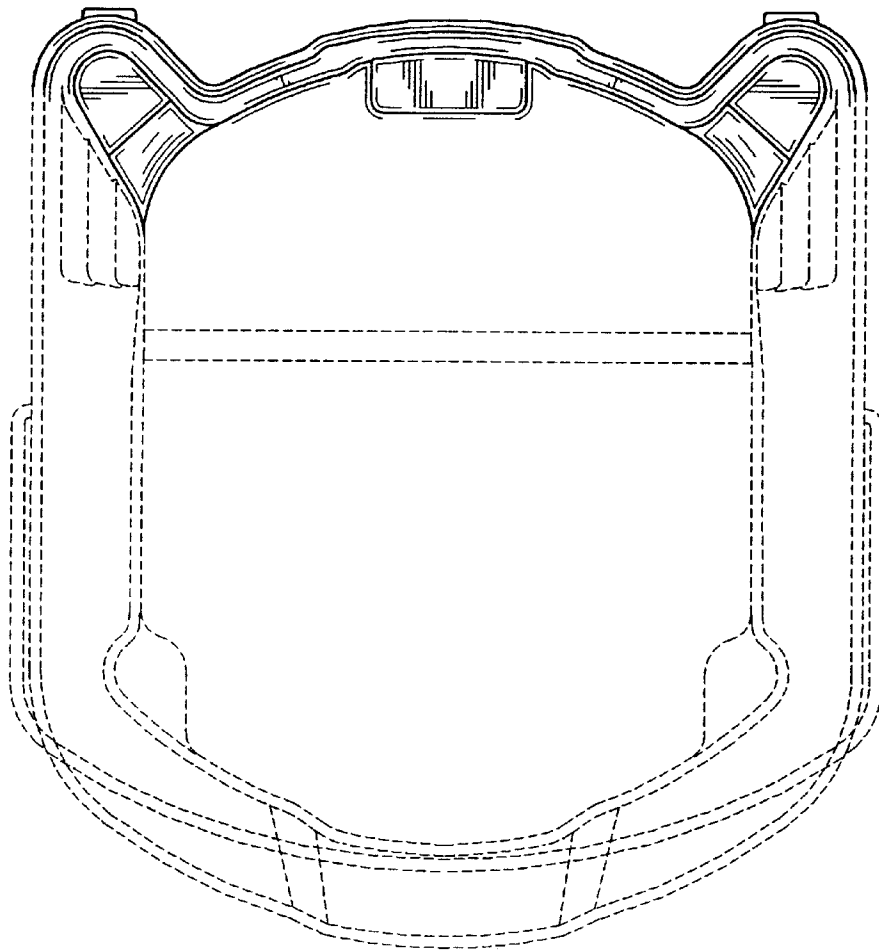


Fig. 11

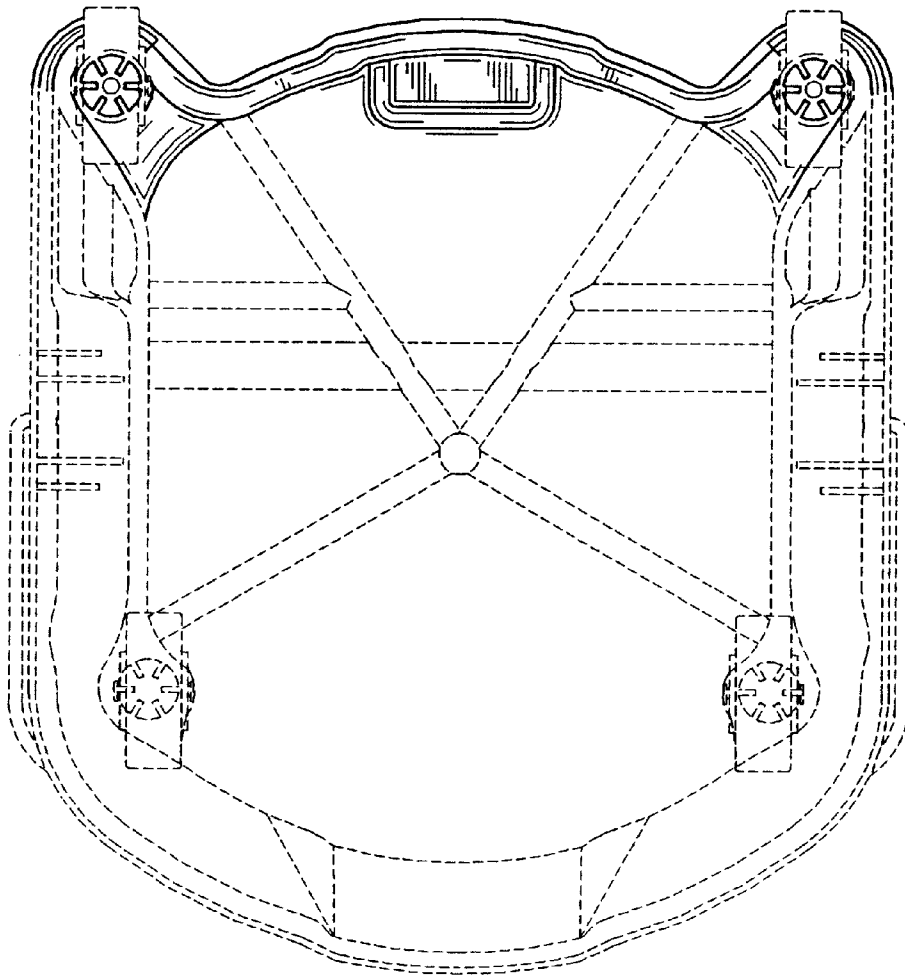


Fig. 12