



US0D1040138S

(12) **United States Design Patent**  
**Wang**

(10) **Patent No.:** **US D1,040,138 S**

(45) **Date of Patent:** **\*\* Aug. 27, 2024**

(54) **EARPHONES WITH CHARGING CASE**

*Primary Examiner* — Messina L Smith

*Assistant Examiner* — Aram Kwon

(74) *Attorney, Agent, or Firm* — Birchwood IP

(71) Applicant: **Shenzhen Zhongrui Le Ting Medical Equipment Co., Ltd.**, Shenzhen (CN)

(72) Inventor: **Dalun Wang**, Huizhou (CN)

(73) Assignee: **Shenzhen Zhongrui Le Ting Medical Equipment Co., Ltd.**, Shenzhen (CN)

(\*\*) Term: **15 Years**

(21) Appl. No.: **29/856,969**

(22) Filed: **Oct. 18, 2022**

(51) **LOC (14) Cl.** ..... **14-01**

(52) **U.S. Cl.**

USPC ..... **D14/223**

(58) **Field of Classification Search**

USPC ... D14/205, 207, 217, 221, 223, 224, 224.1, D14/225; D24/173, 174; D13/108; D3/273, 294, 295

CPC . H04R 1/08; H04R 1/10; H04R 1/105; H04R 1/1016; H04R 1/1033; H04R 1/1066; H04R 5/033; H04R 5/0335; H04R 25/00

See application file for complete search history.

(56) **References Cited**

**U.S. PATENT DOCUMENTS**

D800,097 S \* 10/2017 Chen ..... D14/223  
D817,309 S \* 5/2018 Czaniecki ..... D14/223  
D863,263 S \* 10/2019 Yu ..... D14/223

(Continued)

**OTHER PUBLICATIONS**

Bluetooth Earbuds, review date: Aug. 7, 2023, [retrieved Dec. 14, 2023], Retrieved from Internet, URL: <<https://www.amazon.com/Bluetooth-Earphones-Reduction-Waterproof-Headphones/dp/B09WK97B5R?th=1>> (Year: 2023).\*

(Continued)

(57) **CLAIM**

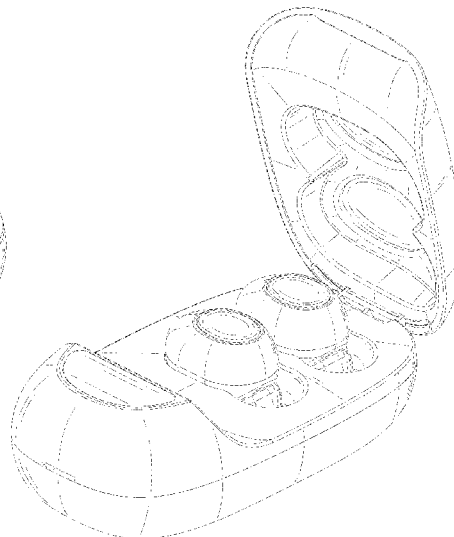
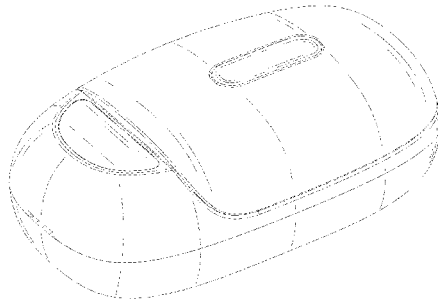
The ornamental design for an earphones with charging case, as shown and described.

**DESCRIPTION**

FIG. 1 is a front, bottom and left side perspective view of an earphones with charging case, showing my new design; FIG. 2 is a rear, top and left side perspective view thereof; FIG. 3 is a front, bottom and left side perspective view of the earphones with charging case, shown in an opened state; FIG. 4 is a front, top and left side perspective view thereof; FIG. 5 is a front view of the earphones with charging case, shown in a closed state; FIG. 6 is a rear view thereof; FIG. 7 is a left side view thereof; FIG. 8 is a right side view thereof; FIG. 9 is a top plan view thereof; FIG. 10 is a bottom plan view thereof; FIG. 11 is a rear, bottom and right side perspective view of an earphones of the earphones with charging case, shown separately to show aspects of the design that are not visible when combined; FIG. 12 is a front, top and left side perspective view thereof; FIG. 13 is a front view thereof; FIG. 14 is a rear view thereof; FIG. 15 is a left side view thereof; FIG. 16 is a right side view thereof; FIG. 17 is a top plan view thereof; and, FIG. 18 is a bottom plan view thereof.

The broken lines shown in the drawings illustrate portions of the earphones with charging case that form no part of the claimed design.

**1 Claim, 18 Drawing Sheets**



(56)

References Cited

U.S. PATENT DOCUMENTS

D883,261	S	*	5/2020	Zhang	.....	D14/223
D894,123	S	*	8/2020	Xiong	.....	D14/223
D897,322	S	*	9/2020	Wei	.....	D14/223
D920,288	S	*	5/2021	Vautour	.....	D14/223
D928,742	S	*	8/2021	Liu	.....	D14/223
D939,479	S	*	12/2021	Wang	.....	D14/223
D959,411	S	*	8/2022	Ando	.....	D14/223
D963,612	S	*	9/2022	Lin	.....	D14/223
D991,915	S	*	7/2023	Li	.....	D14/223
D995,488	S	*	8/2023	Lin	.....	D14/223
D1,016,786	S	*	3/2024	Zhong	.....	D14/223
D1,024,029	S	*	4/2024	Wang	.....	D14/223
2017/0026738	A1	*	1/2017	Tang	.....	H04R 1/1091
2021/0352395	A1	*	11/2021	Wang	.....	H04R 1/1016

OTHER PUBLICATIONS

EarFun Free 1S Wireless Earbuds, review date: Sep. 11, 2020, [retrieved Dec. 14, 2023], Retrieved from Internet, URL: <<https://www.amazon.com/dp/B07R5MKX3K?th=1>> (Year: 2020).\*

Kurdene Bluetooth 5.3 Wireless Earbuds, review date: Nov. 20, 2020, [retrieved Dec. 14, 2023], Retrieved from Internet, URL: <<https://www.amazon.com/dp/B0CCY5PMWS?th=1>> (Year: 2020).\*

Zufupu Wireless Earbuds, review date: Oct. 17, 2023, [retrieved Dec. 14, 2023], Retrieved from Internet, URL: <<https://www.amazon.com/dp/B0CD6WVGK9W?th=1>> (Year: 2023).\*

\* cited by examiner

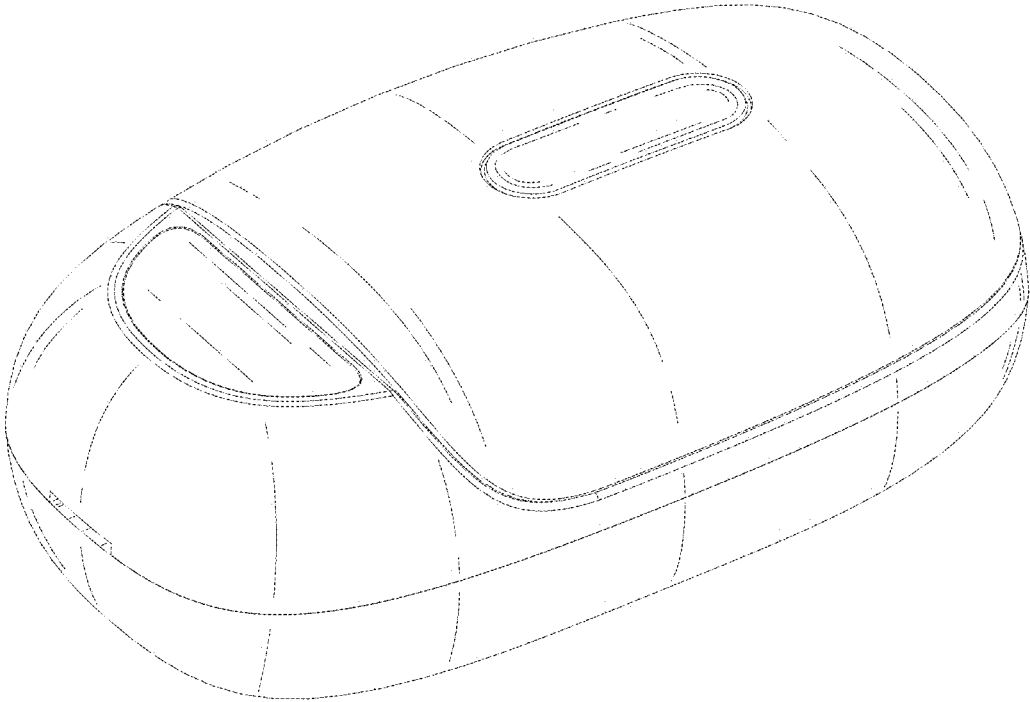


FIG. 1

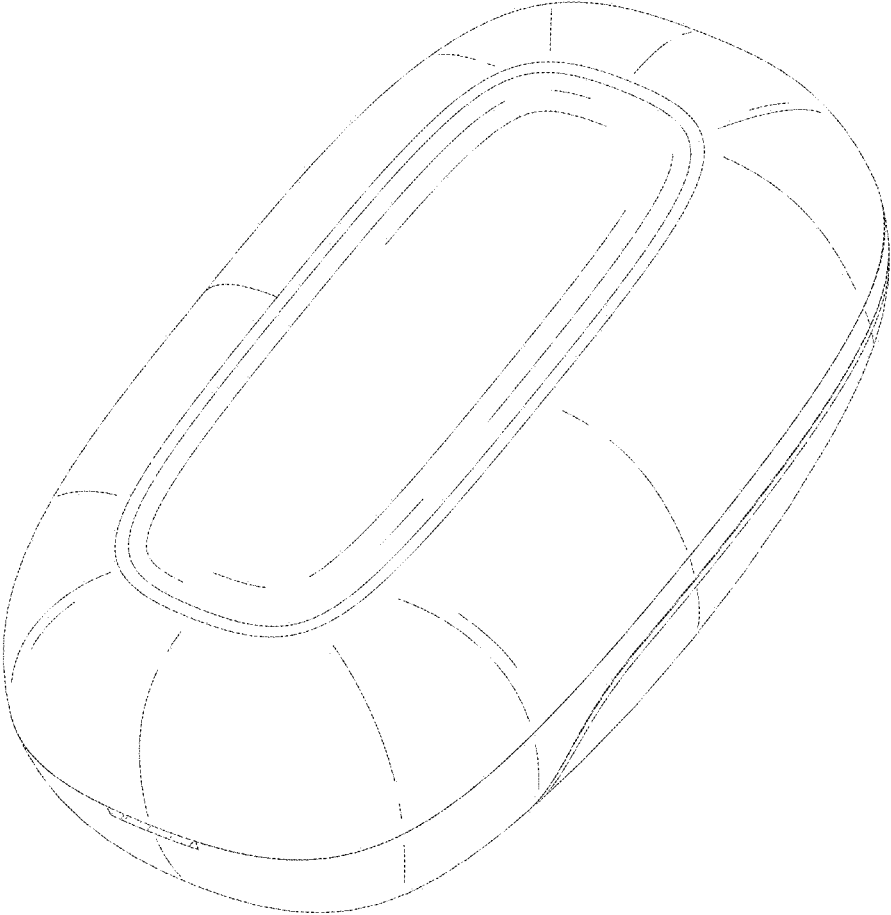


FIG. 2

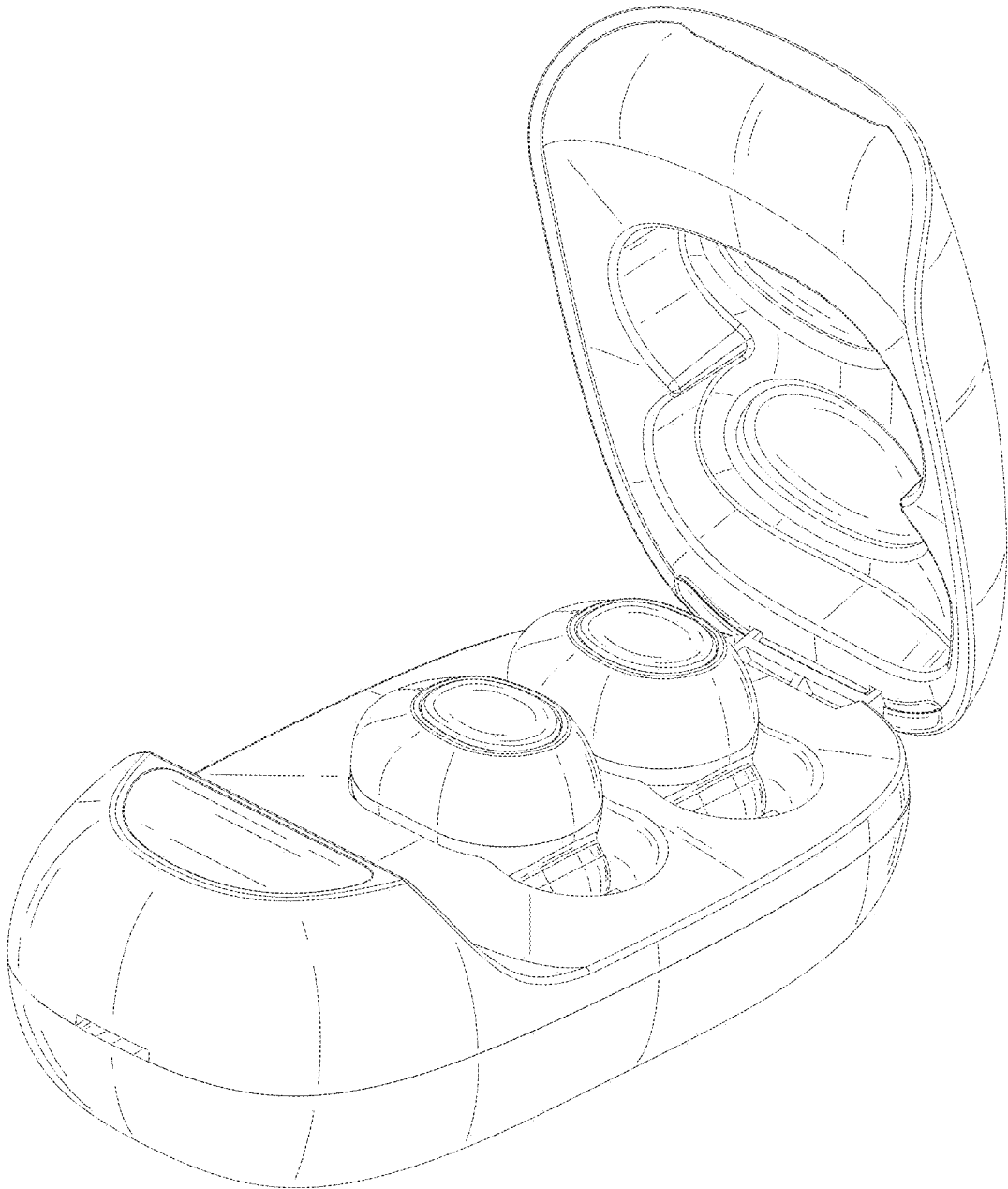


FIG. 3

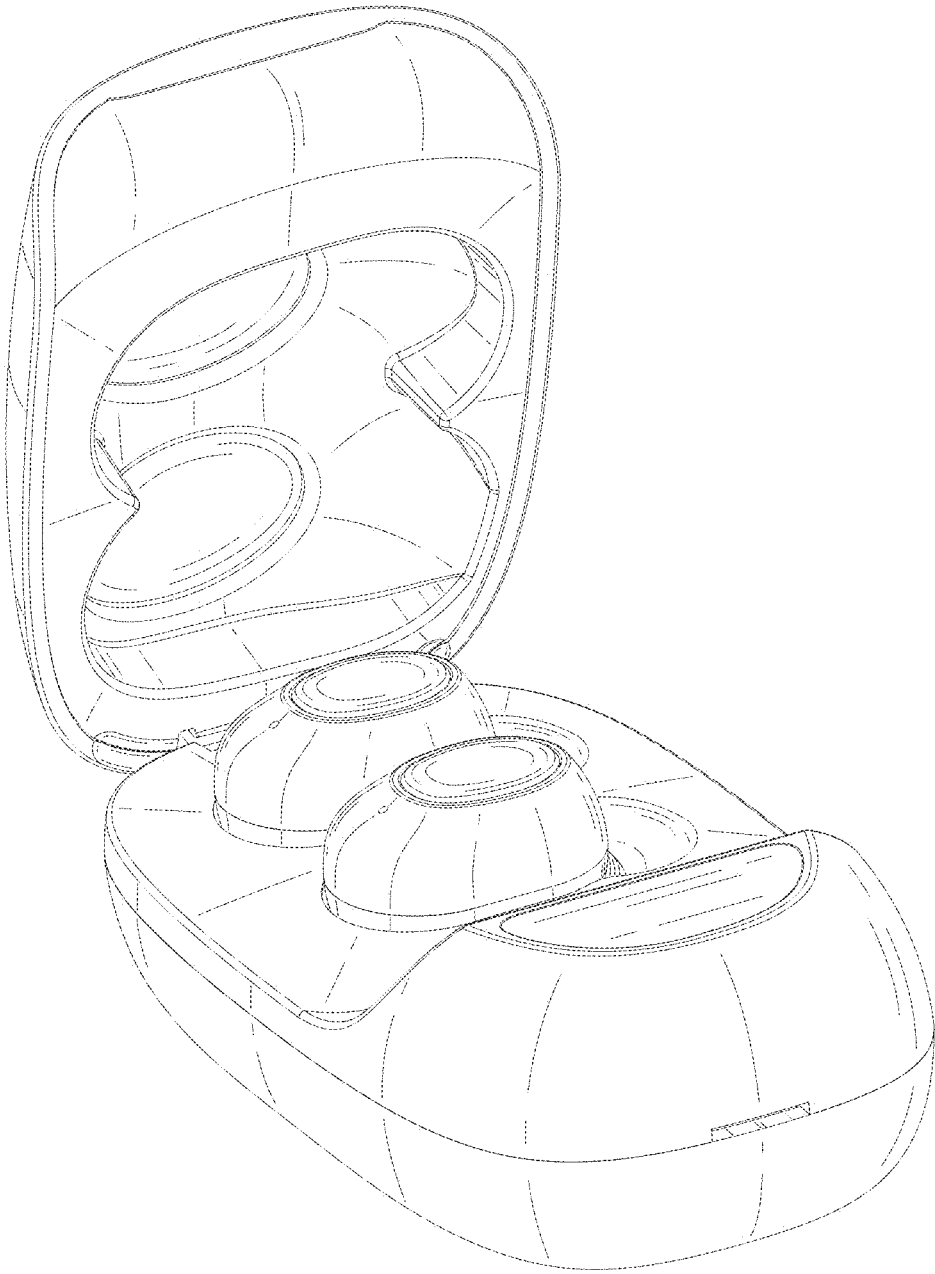


FIG. 4

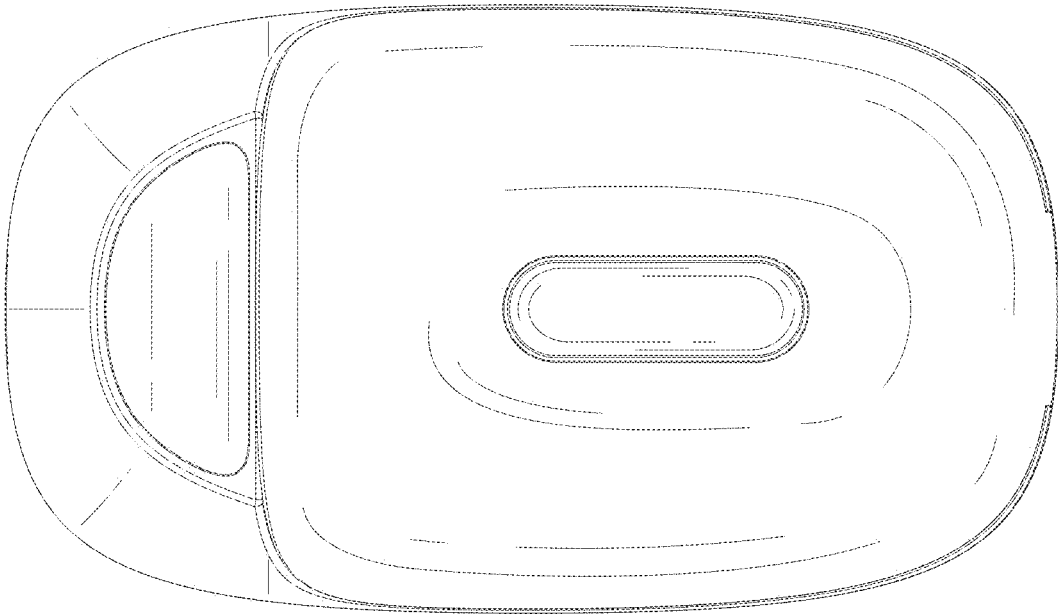


FIG. 5

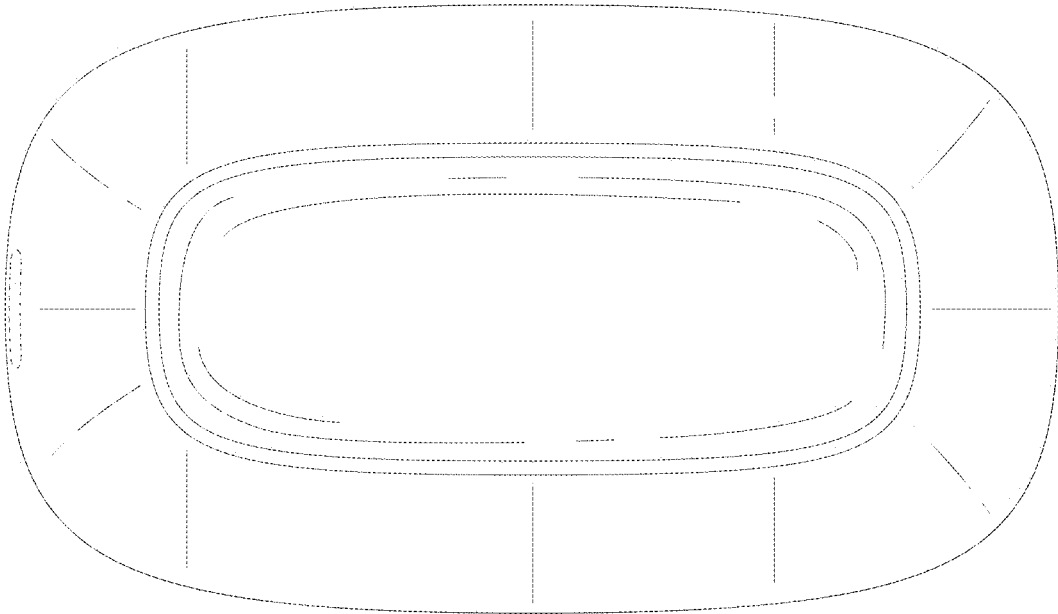


FIG. 6



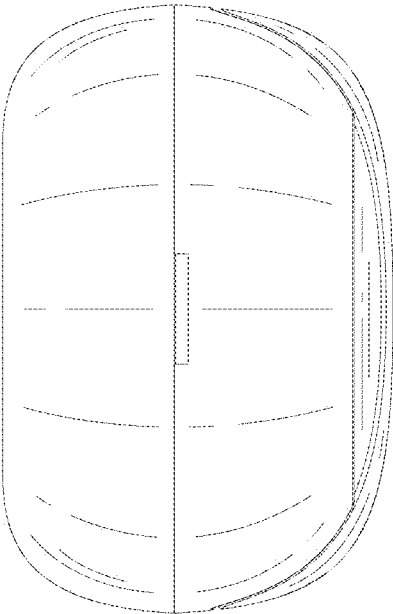


FIG. 7

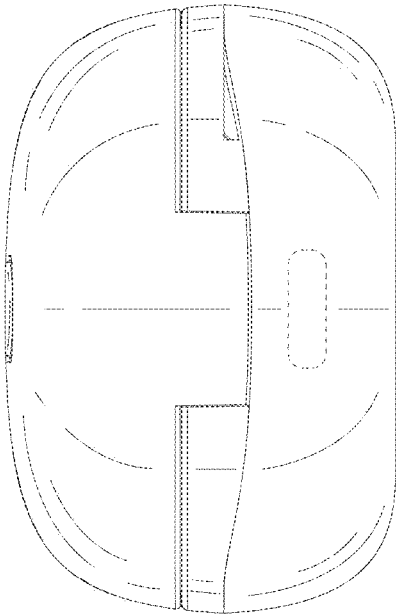


FIG. 8

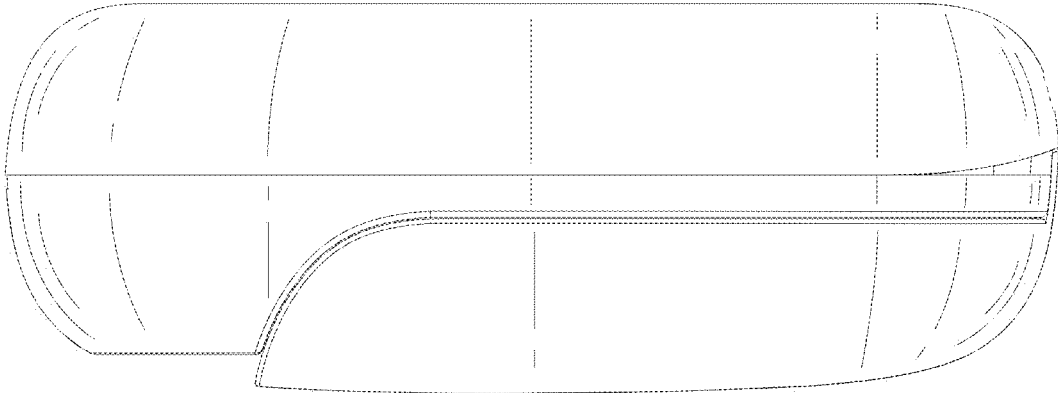


FIG. 9

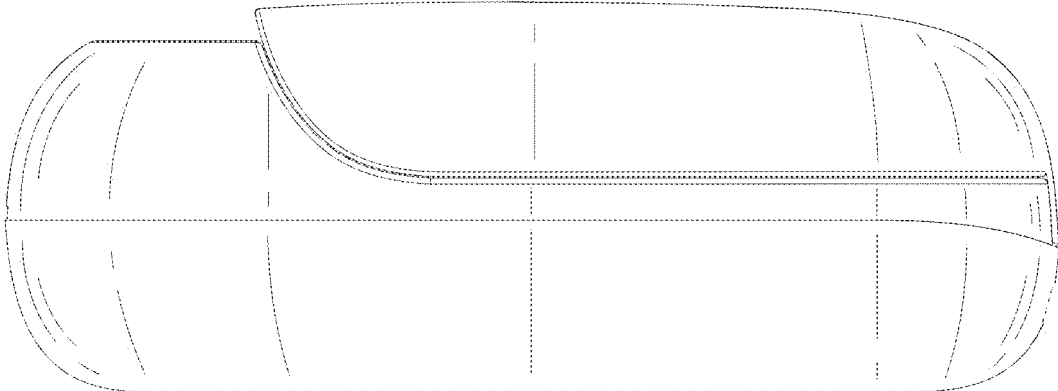


FIG. 10

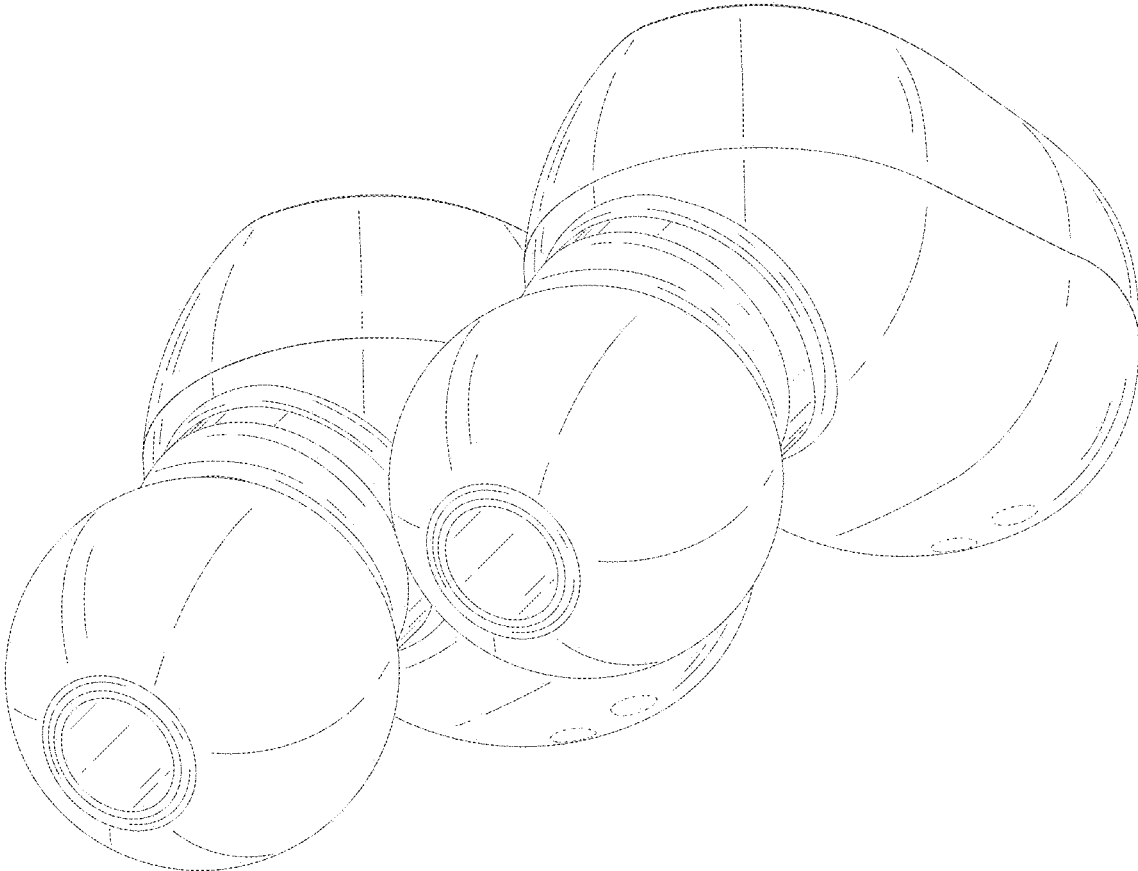


FIG. 11



FIG. 12

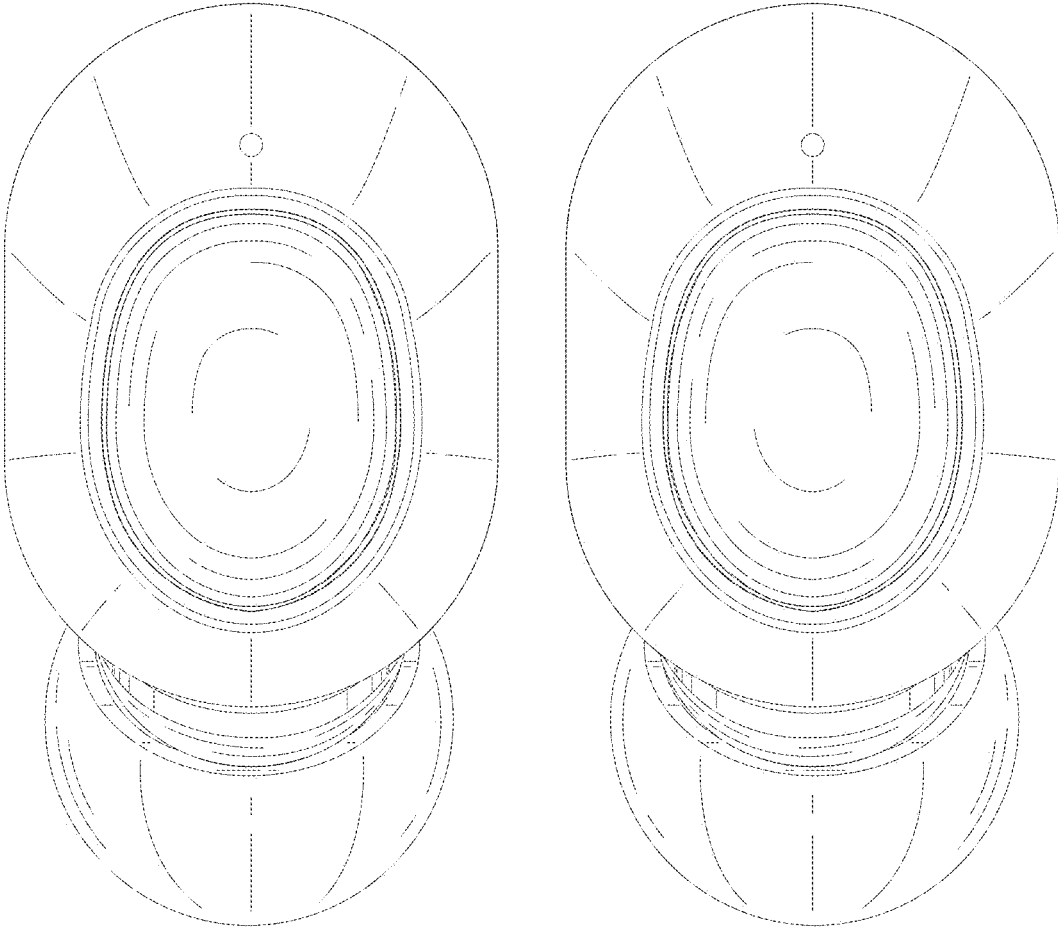


FIG. 13

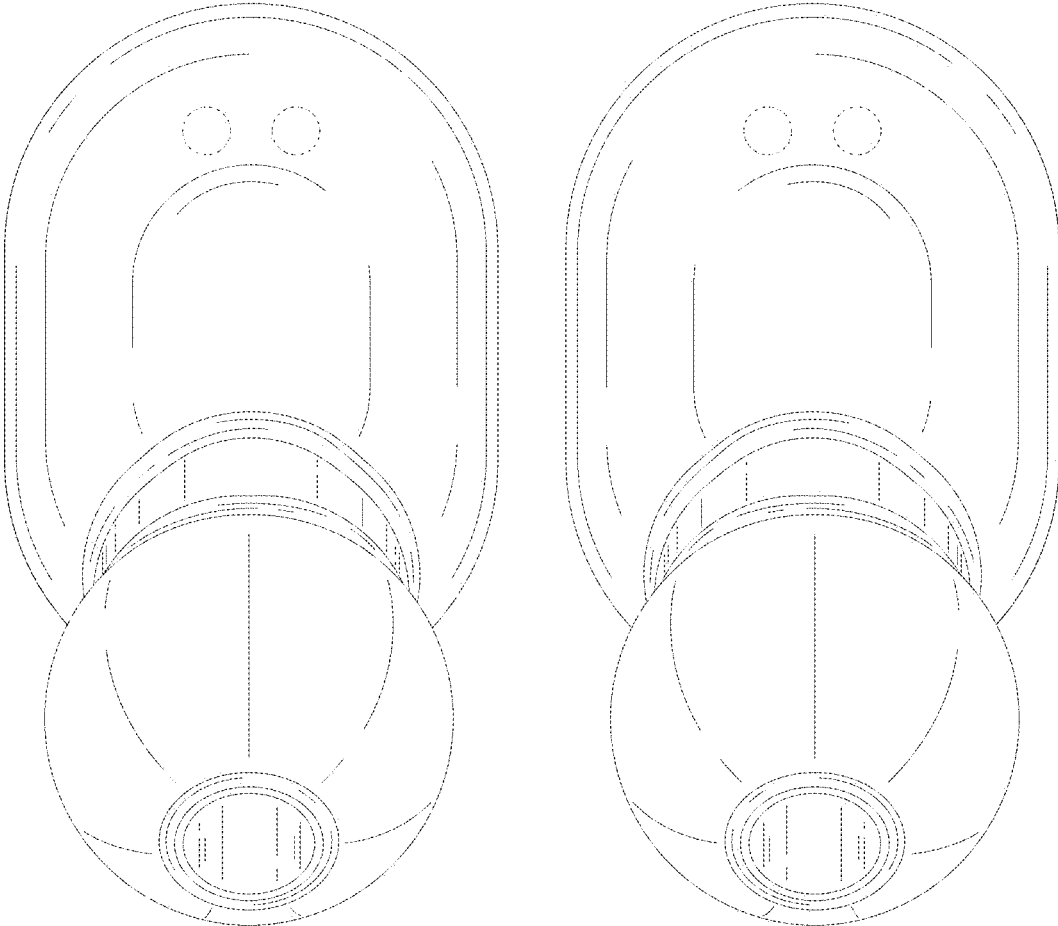


FIG. 14



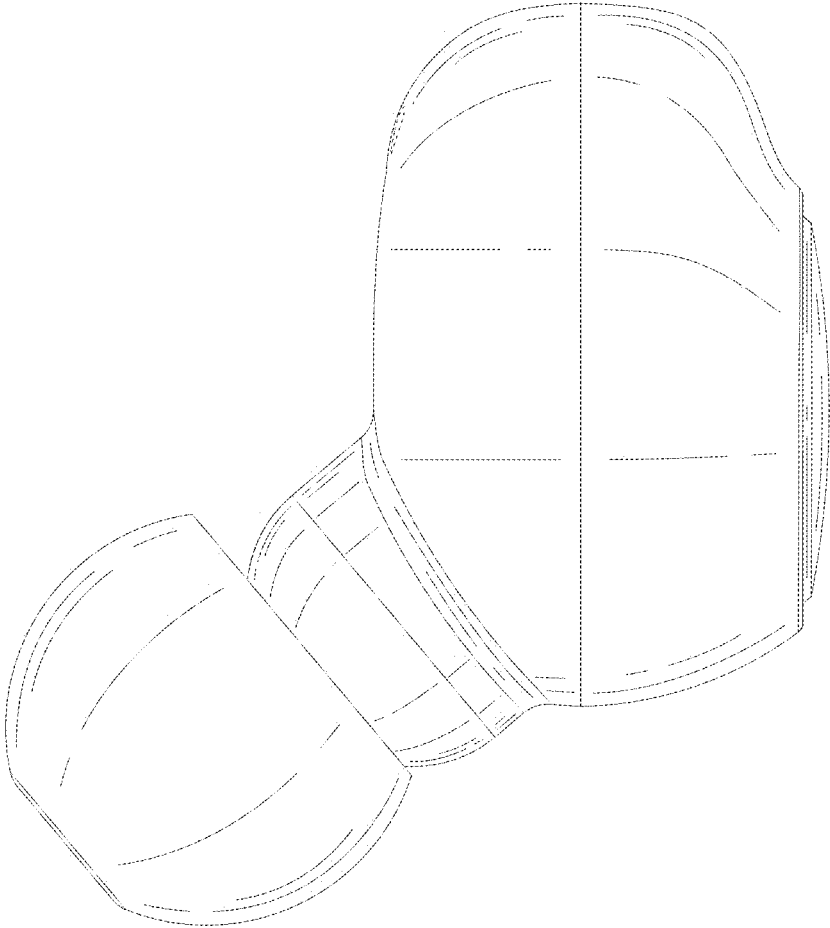


FIG. 15

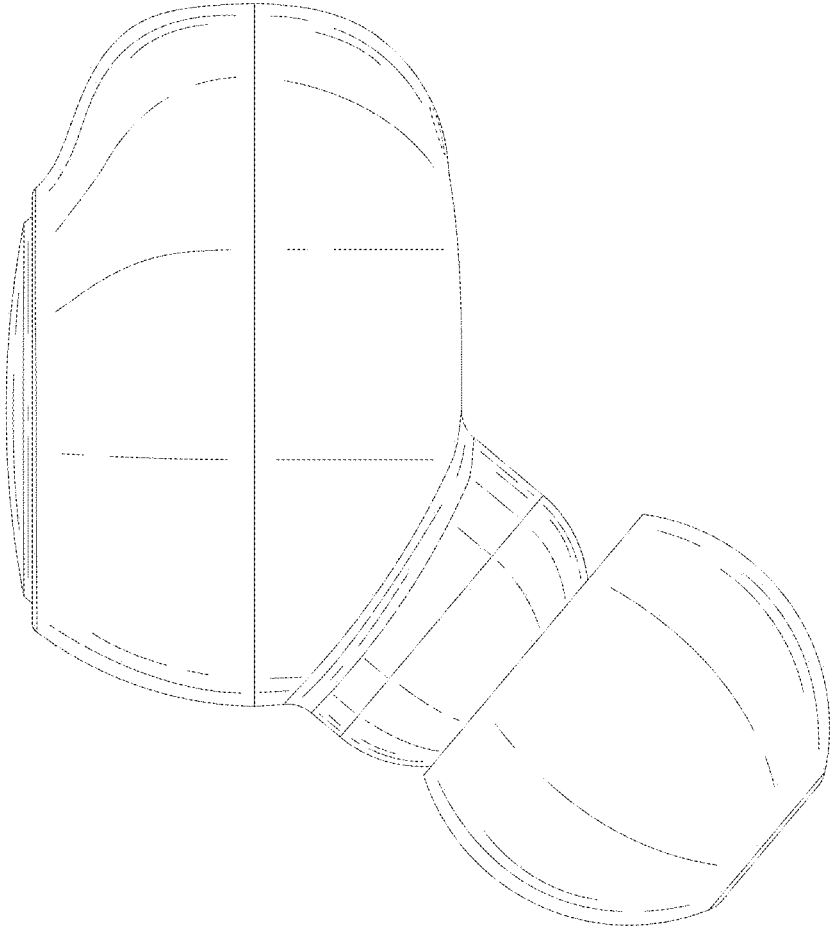


FIG. 16

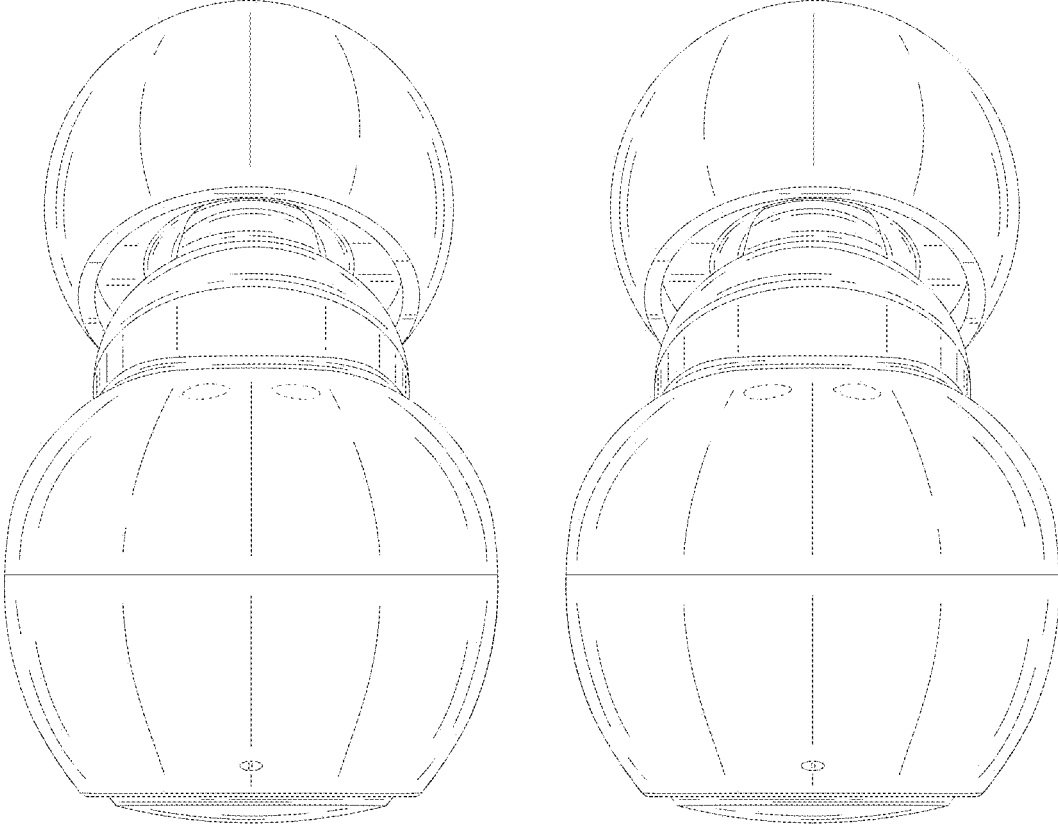


FIG. 17

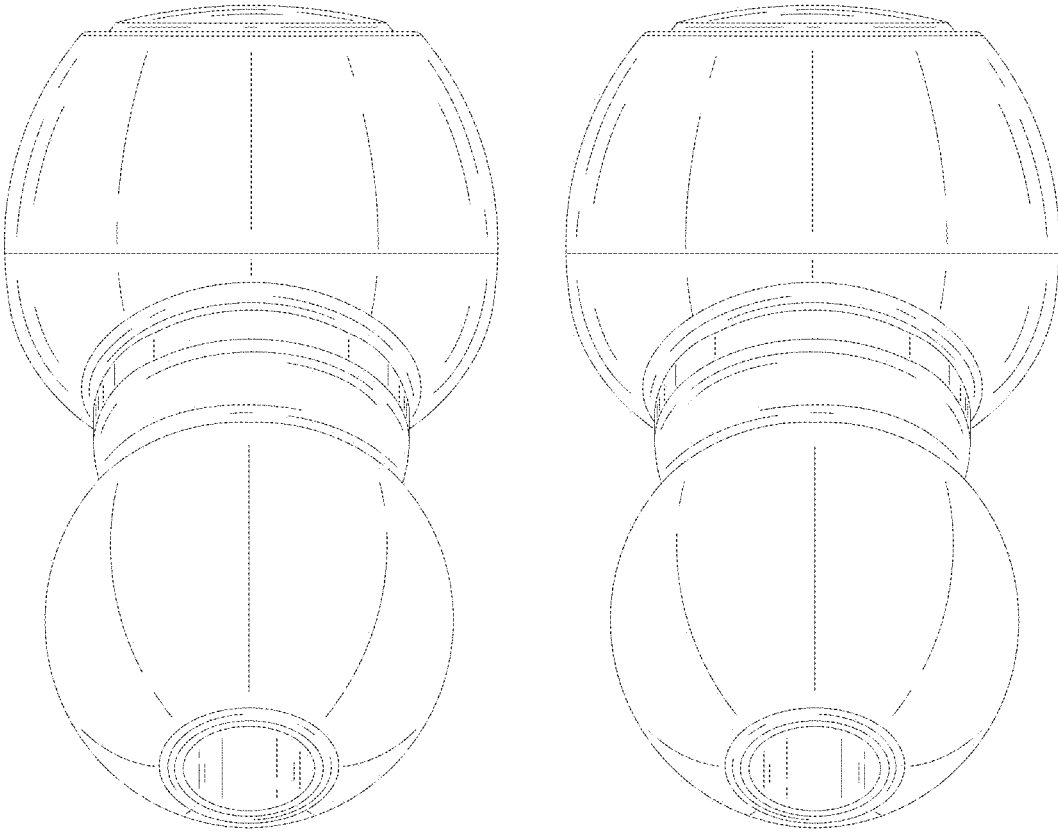


FIG. 18