

(19) World Intellectual Property Organization
International Bureau



(43) International Publication Date
2 November 2006 (02.11.2006)

PCT

(10) International Publication Number
WO 2006/115732 A3

(51) International Patent Classification:

A61M 11/00 (2006.01) A61M 15/00 (2006.01)
A61M 16/00 (2006.01) A61M 15/08 (2006.01)

(21) International Application Number:

PCT/US2006/013087

(22) International Filing Date: 7 April 2006 (07.04.2006)

(25) Filing Language: English

(26) Publication Language: English

(30) Priority Data:

10/908,133 28 April 2005 (28.04.2005) US

(71) Applicant (for all designated States except US): **KOS LIFE SCIENCES, INC.** [US/US]; 2200 N. COMMERCE PARKWAY, Suite 300, Weston, Florida (US).

(72) Inventors; and

(75) Inventors/Applicants (for US only): **GENOVA, Perry** [US/US]; 8226 Glynmorgan Way, Chapel Hill, North Carolina 27511 (US). **RUCKDESCHEL, Thomas** [US/US]; 1509 Olive Chapel Road, Apex, North Carolina 27502

(US). **KHARE, Matthew** [US/US]; 1008 Windstarway, Willow Springs, North Carolina 27592 (US). **DEATON, Daniel** [US/US]; 106 Tracey Creek Court, Apex, North Carolina 27502 (US).

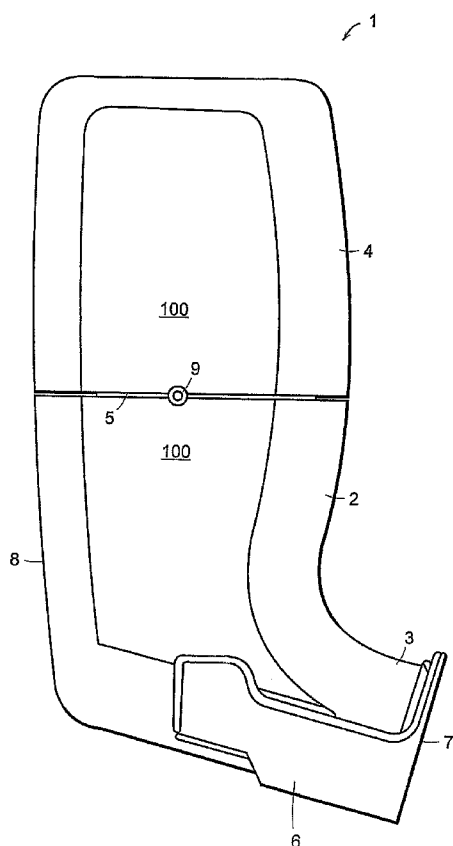
(74) Agents: **BECHTOLD, Karen, P.**, et al.; COUNSEL, KOS PHARMACEUTICALS, INC., 1 Cedar Brook Drive, Cranbury, New Jersey 08512-3618 (US).

(81) Designated States (unless otherwise indicated, for every kind of national protection available): AE, AG, AL, AM, AT, AU, AZ, BA, BB, BG, BR, BW, BY, BZ, CA, CH, CN, CO, CR, CU, CZ, DE, DK, DM, DZ, EC, EE, EG, ES, FI, GB, GD, GE, GH, GM, HR, HU, ID, IL, IN, IS, JP, KE, KG, KM, KN, KP, KR, KZ, LC, LK, LR, LS, LT, LU, LV, LY, MA, MD, MG, MK, MN, MW, MX, MZ, NA, NG, NI, NO, NZ, OM, PG, PH, PL, PT, RO, RU, SC, SD, SE, SG, SK, SL, SM, SY, TJ, TM, TN, TR, TT, TZ, UA, UG, US, UZ, VC, VN, YU, ZA, ZM, ZW.

(84) Designated States (unless otherwise indicated, for every kind of regional protection available): ARIPO (BW, GH, GM, KE, LS, MW, MZ, NA, SD, SL, SZ, TZ, UG, ZM,

[Continued on next page]

(54) Title: BREATH ACTUATED INHALER



(57) Abstract: A breath actuated metered dose inhaler including a housing, a mouthpiece positioned at one end of the housing, and a mechanical release mechanism positioned at another end of the housing. The release mechanism is triggered by a diaphragm and the inhaler is configured such that the air inhalation pathway is unimpeded by the release mechanism.

WO 2006/115732 A3



ZW), Eurasian (AM, AZ, BY, KG, KZ, MD, RU, TJ, TM),
European (AT, BE, BG, CH, CY, CZ, DE, DK, EE, ES, FI,
FR, GB, GR, HU, IE, IS, IT, LT, LU, LV, MC, NL, PL, PT,
RO, SE, SI, SK, TR), OAPI (BF, BJ, CF, CG, CI, CM, GA,
GN, GQ, GW, ML, MR, NE, SN, TD, TG).

Published:

— with international search report

(88) Date of publication of the international search report:
22 March 2007

For two-letter codes and other abbreviations, refer to the "Guidance Notes on Codes and Abbreviations" appearing at the beginning of each regular issue of the PCT Gazette.

INTERNATIONAL SEARCH REPORT

International application No.

PCT/US06/13087

A. CLASSIFICATION OF SUBJECT MATTER IPC: A61M 11/00(2007.01),16/00(2007.01),15/00(2007.01),15/08(2007.01) USPC: 128/200.23 According to International Patent Classification (IPC) or to both national classification and IPC		
B. FIELDS SEARCHED Minimum documentation searched (classification system followed by classification symbols) U.S. : 128/200.23 Documentation searched other than minimum documentation to the extent that such documents are included in the fields searched Electronic data base consulted during the international search (name of data base and, where practicable, search terms used)		
C. DOCUMENTS CONSIDERED TO BE RELEVANT		
Category *	Citation of document, with indication, where appropriate, of the relevant passages	Relevant to claim No.
X — Y	WO 93/24167 (HOLROYD) 09 December 1993 (09.12.1993), see entire document.	1-3, 5-7, 12-13 <hr style="width: 20%; margin: 0 auto;"/> 21
A	US 5,020,527 (DESSERTINE) 04 June 1991 (04.06.1991).	
A	US 6,418,925 B1 (GENOVA et al.) 16 July 2002 (16.07.2002).	
A	5,447,150 (BACON) 05 September 1995 (05.09.1995).	
<input type="checkbox"/> Further documents are listed in the continuation of Box C. <input type="checkbox"/> See patent family annex.		
* Special categories of cited documents:		
"A" document defining the general state of the art which is not considered to be of particular relevance	"T" later document published after the international filing date or priority date and not in conflict with the application but cited to understand the principle or theory underlying the invention	
"E" earlier application or patent published on or after the international filing date	"X" document of particular relevance; the claimed invention cannot be considered novel or cannot be considered to involve an inventive step when the document is taken alone	
"L" document which may throw doubts on priority claim(s) or which is cited to establish the publication date of another citation or other special reason (as specified)	"Y" document of particular relevance; the claimed invention cannot be considered to involve an inventive step when the document is combined with one or more other such documents, such combination being obvious to a person skilled in the art	
"O" document referring to an oral disclosure, use, exhibition or other means	"&" document member of the same patent family	
"P" document published prior to the international filing date but later than the priority date claimed		
Date of the actual completion of the international search 02 December 2006 (02.12.2006)	Date of mailing of the international search report 26 DEC 2006	
Name and mailing address of the ISA/US Mail Stop PCT, Attn: ISA/US Commissioner for Patents P.O. Box 1450 Alexandria, Virginia 22313-1450 Facsimile No. (571) 273-3201	Authorized officer <i>D. W. L. Hermitage</i> Kenneth J. Dörner Telephone No. 571-272-3600	