



US00D554171S

(12) **United States Design Patent**  
**Deng**

(10) **Patent No.:** **US D554,171 S**

(45) **Date of Patent:** **\*\* Oct. 30, 2007**

(54) **VIDEO CAMERA**

D510,374 S \* 10/2005 Greenwood et al. .... D16/203  
D510,589 S \* 10/2005 Andre et al. .... D16/202  
D536,719 S \* 2/2007 Lukic et al. .... D16/202

(76) Inventor: **Mingsheng Deng**, 1804 Huafeng  
Mansion, No. 6006 Shennan Rd, Futian  
District, Shenzhen (CN)

\* cited by examiner

(\*\*) Term: **14 Years**

*Primary Examiner*—Adir Aronovich

(74) *Attorney, Agent, or Firm*—Raymond Y. Chan; David  
and Raymond Patent Group

(21) Appl. No.: **29/253,936**

(22) Filed: **Feb. 16, 2006**

(57) **CLAIM**

The ornamental design for a video camera, as shown.

(51) **LOC (8) Cl.** ..... **16-01**

(52) **U.S. Cl.** ..... **D16/203; D16/242**

(58) **Field of Classification Search** ..... D16/200–204,  
D16/208, 218, 242; 224/908; 248/187.1;  
348/373–376; 358/906; 396/419, 425, 427,  
396/428, 535–541, 544

See application file for complete search history.

**DESCRIPTION**

FIG. 1 is a top, front and left side perspective view of a video camera showing my new design.

FIG. 2 is a front view thereof.

FIG. 3 is a rear view thereof.

FIG. 4 is a right side view thereof.

FIG. 5 is a left side view thereof.

FIG. 6 is a top view thereof; and,

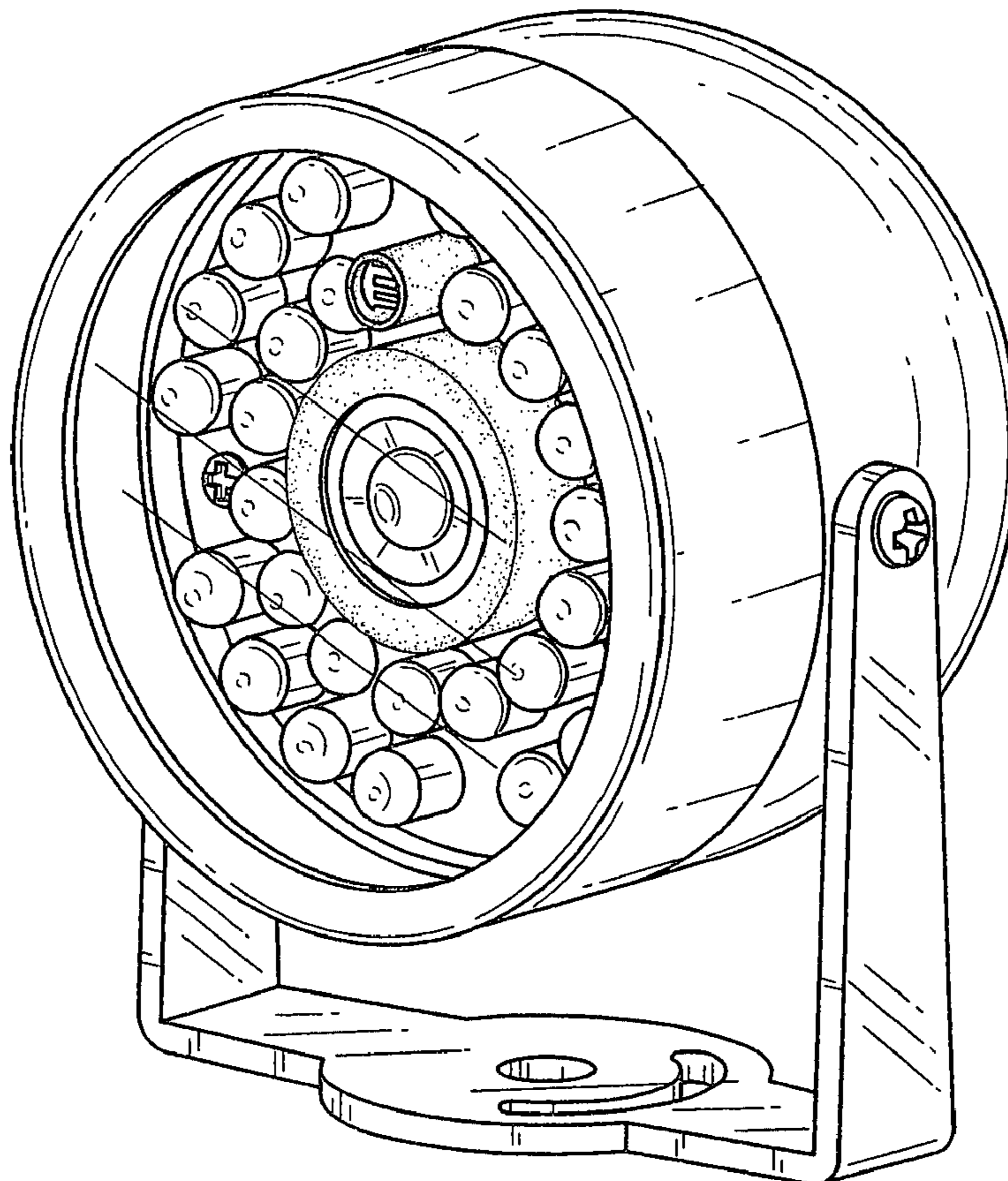
FIG. 7 is a bottom view thereof.

(56) **References Cited**

**U.S. PATENT DOCUMENTS**

3,608,794 A \* 9/1971 Mazure ..... 396/425  
D339,600 S \* 9/1993 Sumrall ..... D16/242  
D500,511 S \* 1/2005 Sybilrud ..... D16/203  
D509,842 S \* 9/2005 Ou ..... D16/203

**1 Claim, 7 Drawing Sheets**



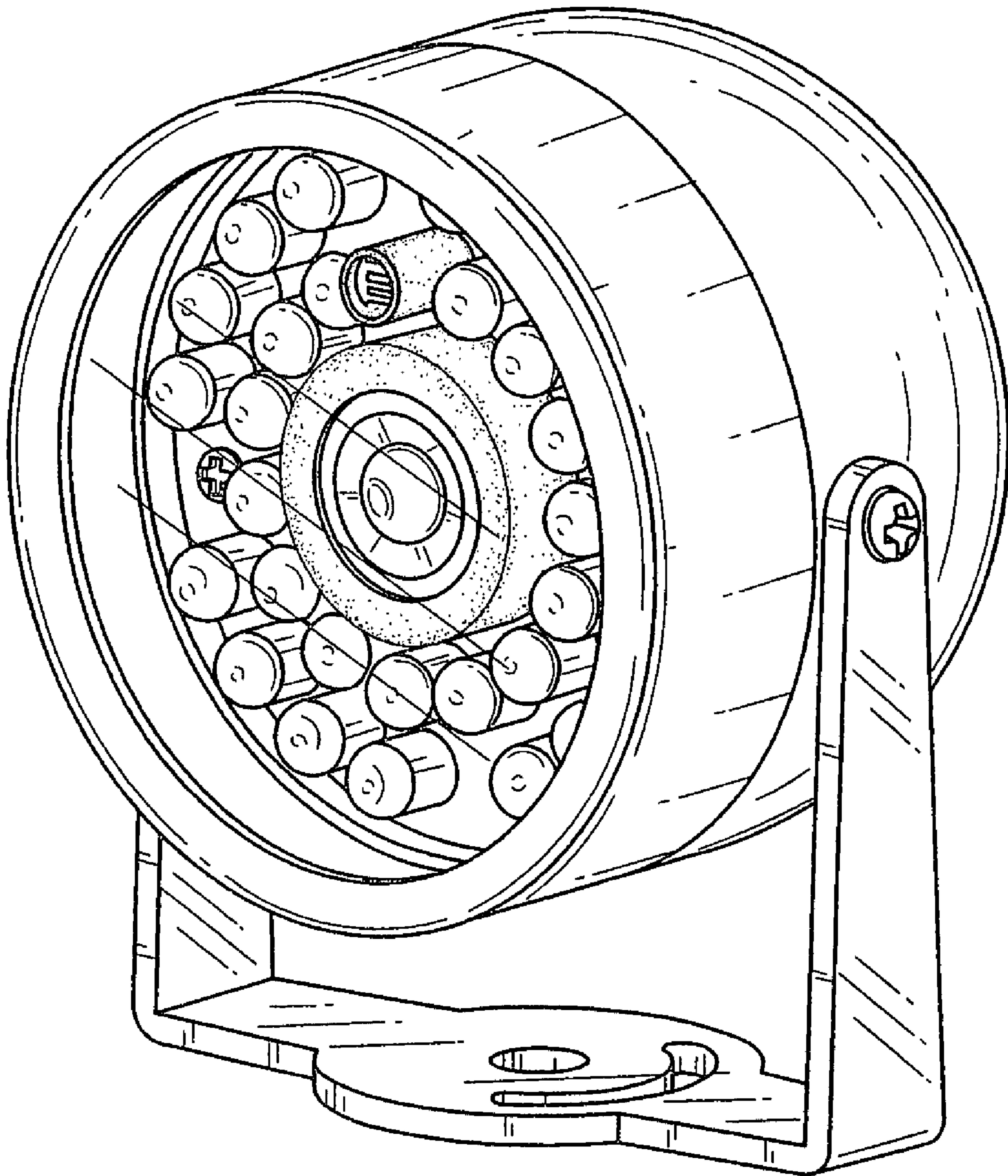


FIG. 1

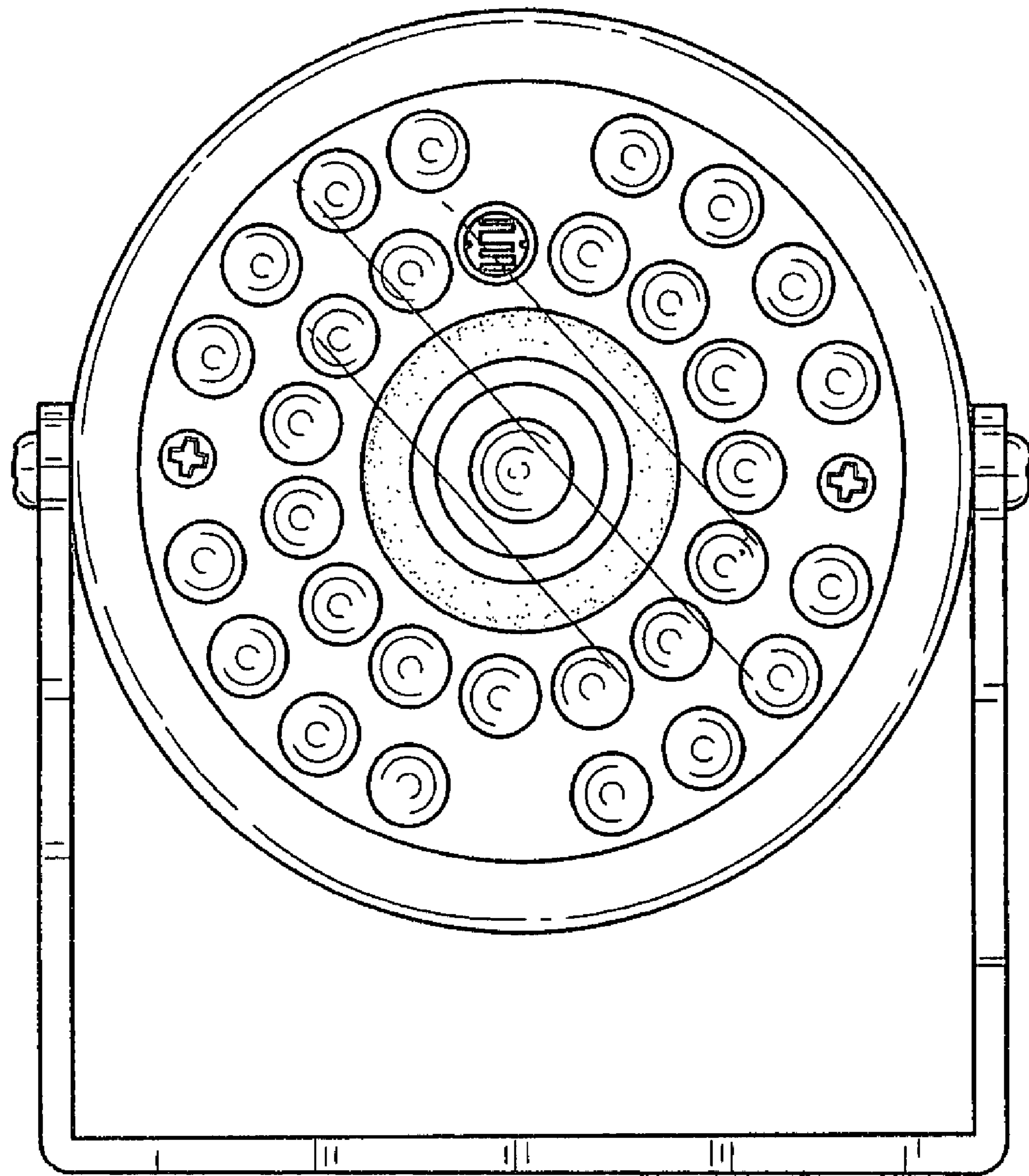


FIG.2

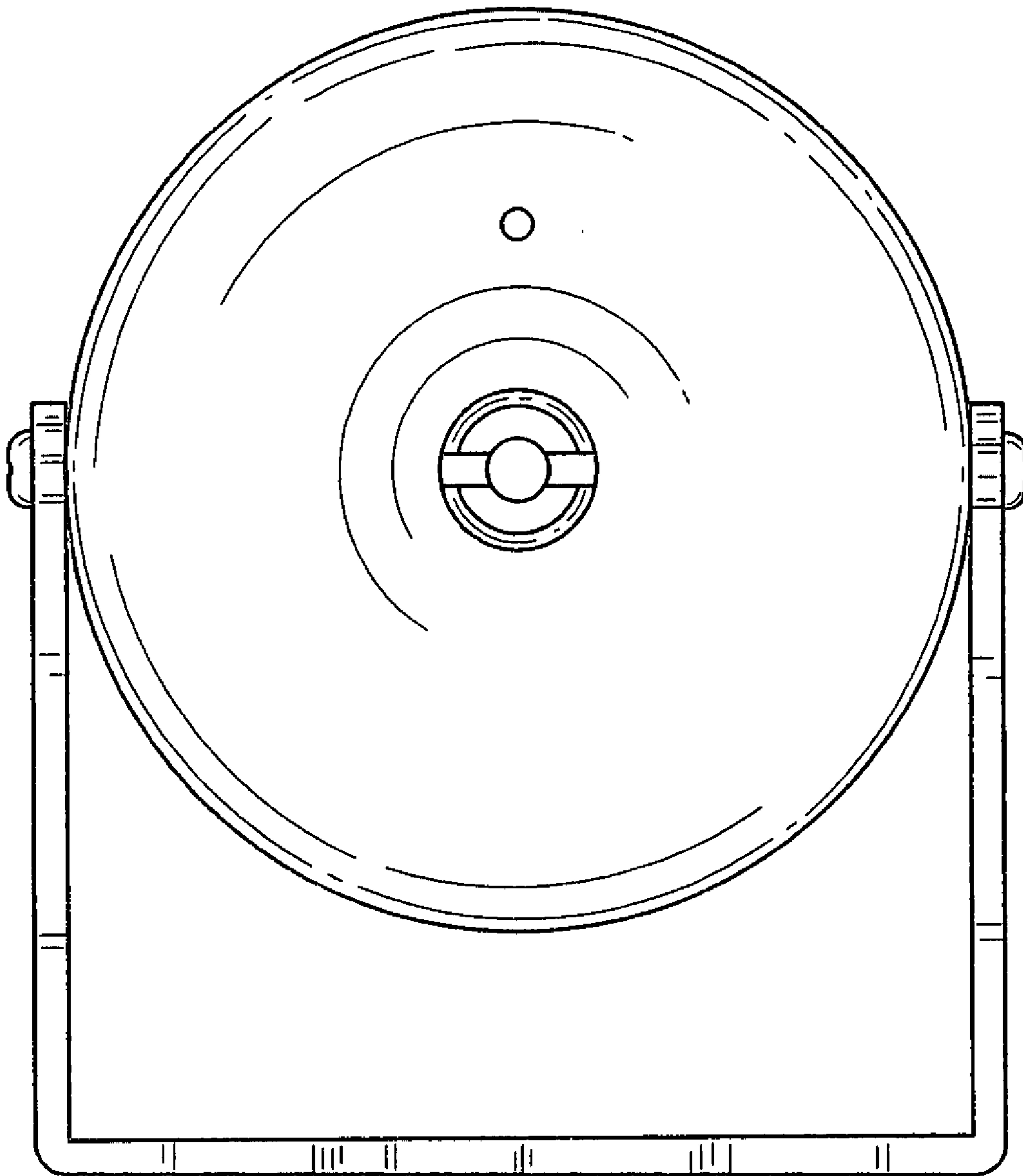


FIG.3

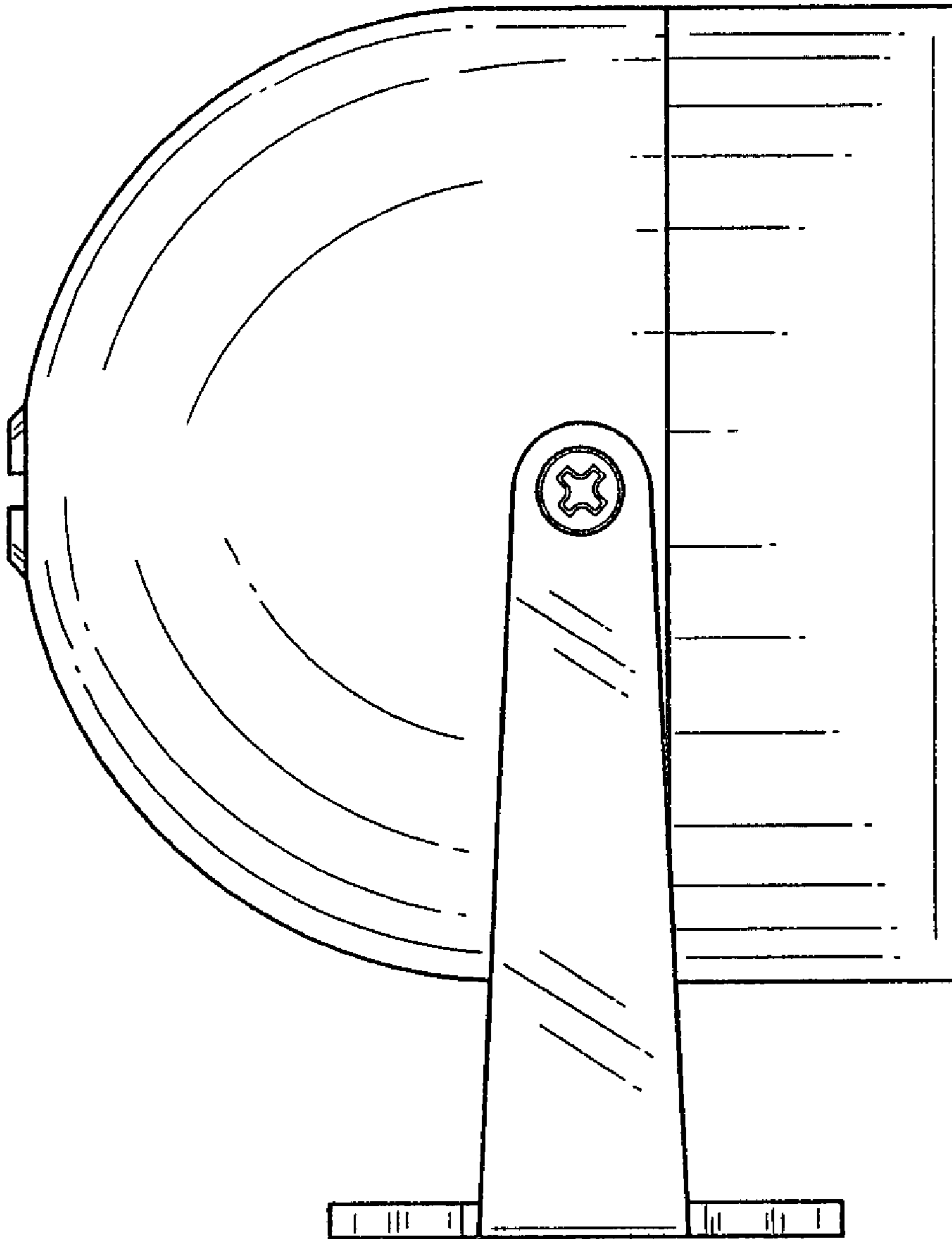


FIG.4

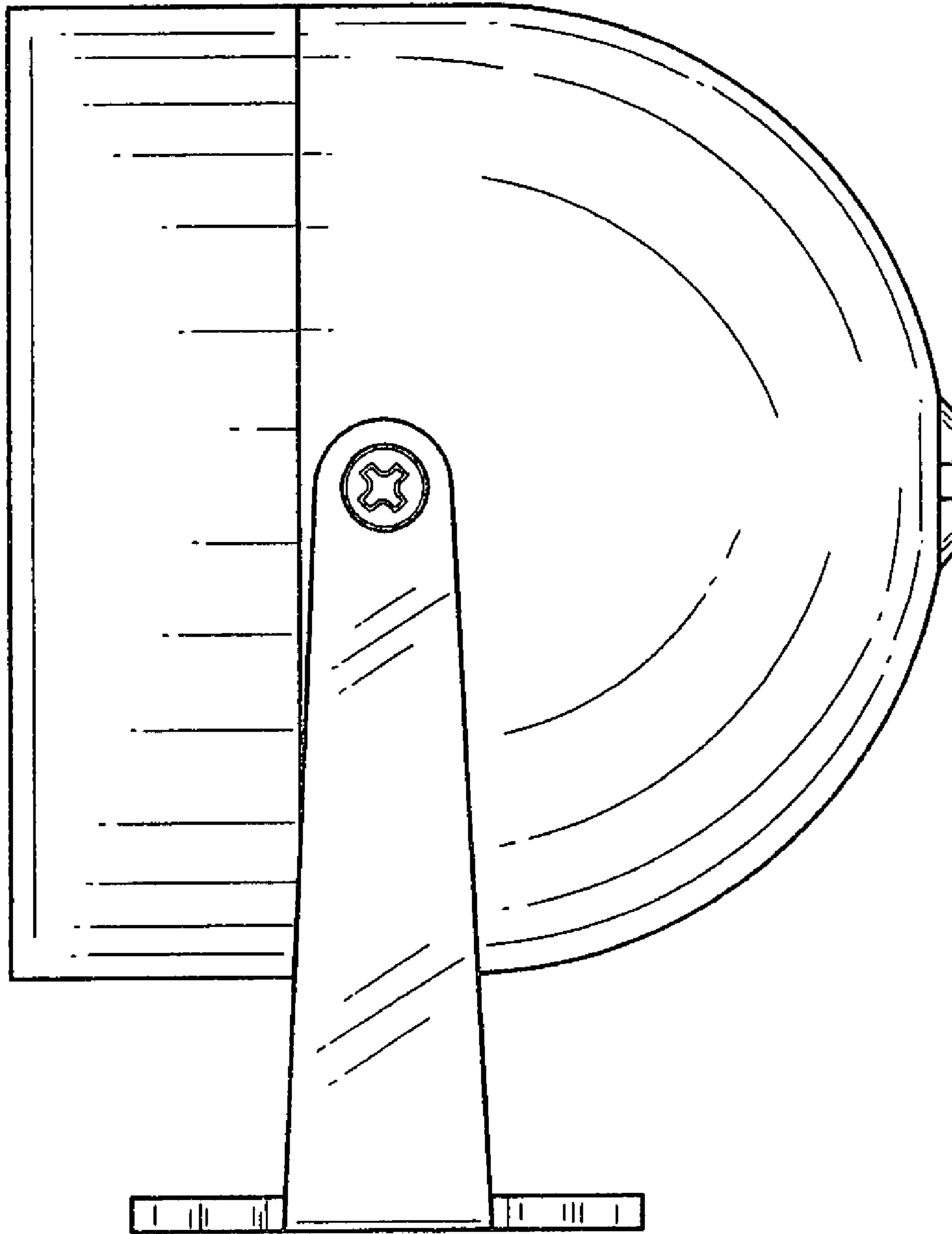


FIG.5

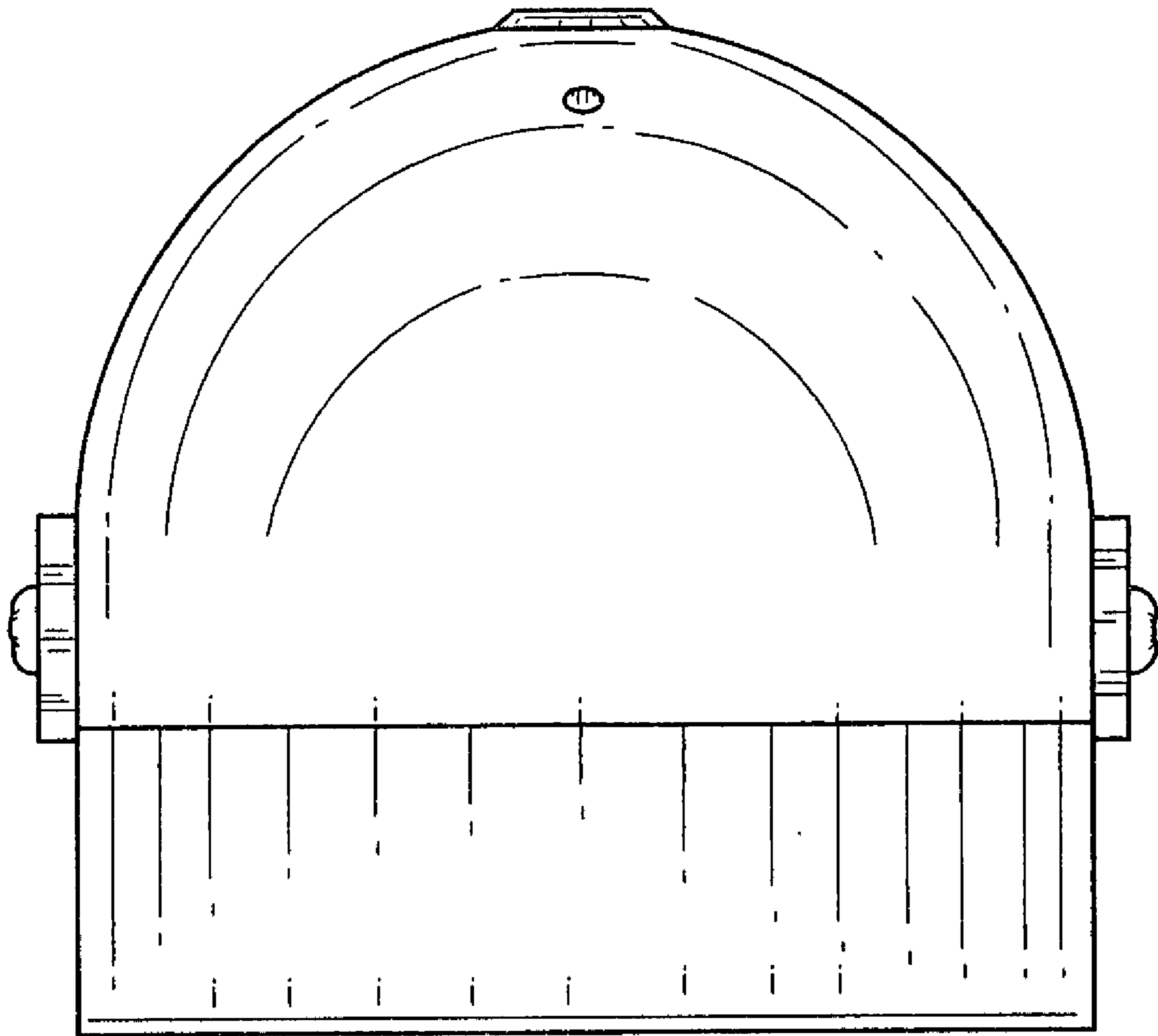


FIG.6

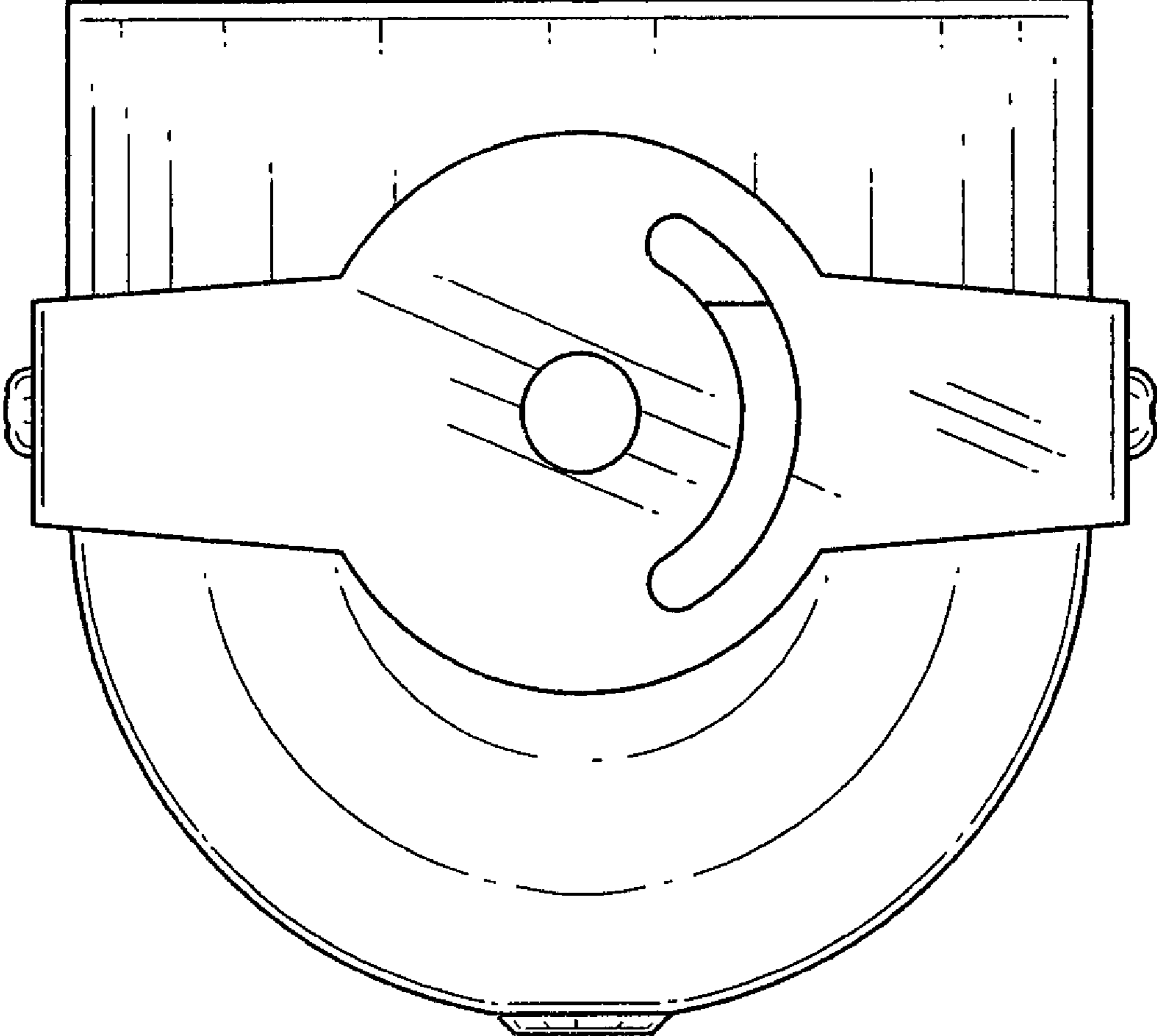


FIG. 7