

(19) World Intellectual Property Organization
International Bureau



(43) International Publication Date
19 December 2002 (19.12.2002)

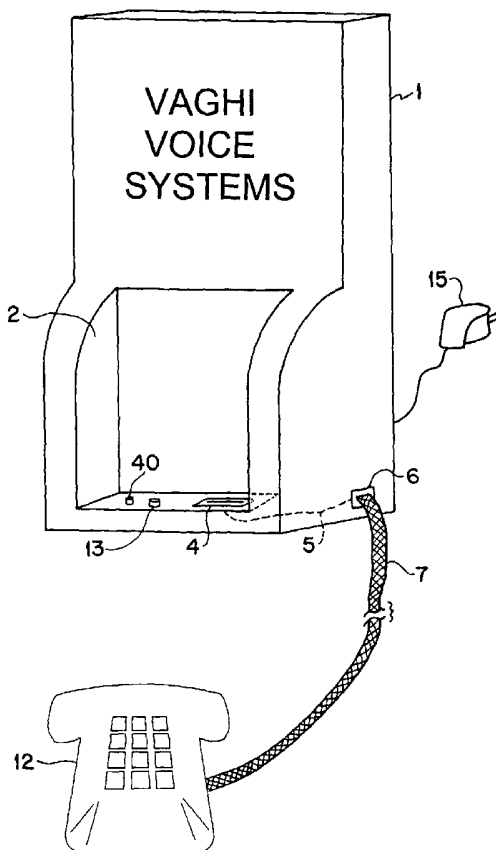
PCT

(10) International Publication Number
WO 02/102029 A3

- (51) International Patent Classification⁷: H04M 11/10, 1/66, 1/68, 3/16, 3/42, 1/00, H04B 1/38
- (71) Applicants and
- (21) International Application Number: PCT/US02/16571
- (72) Inventors: VAGHI, Joseph, P., III [US/US]; 7205 Bridle Terrace, Potomac, MD 20854 (US). VAGHI, Mary, Burns [US/US]; 7205 Bridle Terrace, Potomac, MD 20854 (US).
- (22) International Filing Date: 7 June 2002 (07.06.2002)
- (74) Agents: FLESHNER, Mark, L. et al.; Fleshner & Kim, LLP, P.O. Box 221200, Chantilly, VA 20153-1200 (US).
- (25) Filing Language: English
- (81) Designated States (national): AE, AG, AL, AM, AT, AU, AZ, BA, BB, BG, BR, BY, BZ, CA, CH, CN, CO, CR, CU, CZ, DE, DK, DM, DZ, EC, EE, ES, FI, GB, GD, GE, GH, GM, HR, HU, ID, IL, IN, IS, JP, KE, KG, KP, KR, KZ, LC, LK, LR, LS, LT, LU, LV, MA, MD, MG, MK, MN, MW, MX, MZ, NO, NZ, OM, PH, PL, PT, RO, RU, SD, SE, SG, SI, SK, SL, TJ, TM, TN, TR, TT, TZ, UA, UG, US, UZ, VN, YU, ZA, ZM, ZW.
- (26) Publication Language: English
- (30) Priority Data: 09/876,049 8 June 2001 (08.06.2001) US
- (84) Designated States (regional): ARIPO patent (GH, GM, KE, LS, MW, MZ, SD, SL, SZ, TZ, UG, ZM, ZW),
- (71) Applicant (for all designated States except US): VAGHI, Nino R. [US/US]; 5225 Pooks Hill Road, Apt. 1512 South, Bethesda, MD 20814 (US).

[Continued on next page]

(54) Title: PERSONAL COMMUNICATIONS SYSTEM AND METHOD



(57) Abstract: A personal communications system includes an interface unit (1) which transmits calls received on a mobile wireless phone to one or more hard-wired telephones (12). In one embodiment, the interface unit (1) includes a connector (4) which mates with a voice communications port (10) of a wireless device, which may be a cell phone, web-enabled phone, personal digital assistant adapted for wireless communications, or a so-called pocket PC. When a call is received by the wireless device, a processor (30) automatically sends the call to a hard-wired telephone (12) through the connector (4). In another embodiment, the interface unit (1) is equipped to receive multiple wireless devices, and calls from each device are managed to prevent calls from two or more of the devices from being sent to the hard-wired telephone (12) at the same time. This system thereby advantageously allows a user only one telephone number to satisfy all his personal communications needs.



WO 02/102029 A3



Eurasian patent (AM, AZ, BY, KG, KZ, MD, RU, TJ, TM),
European patent (AT, BE, CH, CY, DE, DK, ES, FI, FR,
GB, GR, IE, IT, LU, MC, NL, PT, SE, TR), OAPI patent
(BF, BJ, CF, CG, CI, CM, GA, GN, GQ, GW, ML, MR,
NE, SN, TD, TG).

(88) Date of publication of the international search report:
20 February 2003

Published:

— *with international search report*

For two-letter codes and other abbreviations, refer to the "Guidance Notes on Codes and Abbreviations" appearing at the beginning of each regular issue of the PCT Gazette.

INTERNATIONAL SEARCH REPORT

International application No.
PCT/US02/16571

A. CLASSIFICATION OF SUBJECT MATTER
 IPC(7) :H04M 11/10, 1/66, 1/68, 3/16, 3/42, 1/00; H04B 1/38
 US CL :455/411, 412, 417, 557, 558
 According to International Patent Classification (IPC) or to both national classification and IPC

B. FIELDS SEARCHED
 Minimum documentation searched (classification system followed by classification symbols)
 U.S. : 455/411, 412, 417, 557, 558, 413, 418, 74, 74.1; 379/221.01, 221.02

Documentation searched other than minimum documentation to the extent that such documents are included in the fields searched

Electronic data base consulted during the international search (name of data base and, where practicable, search terms used)

C. DOCUMENTS CONSIDERED TO BE RELEVANT

Category*	Citation of document, with indication, where appropriate, of the relevant passages	Relevant to claim No.
X,P	US 6,366,784 B1 (HSUEH) 02 APRIL 2002, Col. 1, Line 55-Col. 4, line 6	1-10, 23, 28, 29, 32, 35, 39-41, 43-51, 56, 57, 60, 68, 70-74, 77-81

Further documents are listed in the continuation of Box C. See patent family annex.

* Special categories of cited documents:	"T"	later document published after the international filing date or priority date and not in conflict with the application but cited to understand the principle or theory underlying the invention
"A" document defining the general state of the art which is not considered to be of particular relevance	"X"	document of particular relevance; the claimed invention cannot be considered novel or cannot be considered to involve an inventive step when the document is taken alone
"E" earlier document published on or after the international filing date	"Y"	document of particular relevance; the claimed invention cannot be considered to involve an inventive step when the document is combined with one or more other such documents, such combination being obvious to a person skilled in the art
"L" document which may throw doubts on priority claim(s) or which is cited to establish the publication date of another citation or other special reason (as specified)	"&"	document member of the same patent family
"O" document referring to an oral disclosure, use, exhibition or other means		
"P" document published prior to the international filing date but later than the priority date claimed		

Date of the actual completion of the international search 22 AUGUST 2002	Date of mailing of the international search report 18 SEP 2002
Name and mailing address of the ISA/US Commissioner of Patents and Trademarks Box PCT Washington, D.C. 20231 Facsimile No. (703) 805-3230	Authorized officer TEMICA M. DAVIS <i>Rugenia Zogan</i> Telephone No. (703) 306-5837

INTERNATIONAL SEARCH REPORT

International application No.

PCT/US02/16571

C (Continuation). DOCUMENTS CONSIDERED TO BE RELEVANT

Category*	Citation of document, with indication, where appropriate, of the relevant passages	Relevant to claim No.
X	US 5,526,403 A (TAM) 11 JUNE 1996, Col. 3, Line 25-Col. 10, Line 47	1-10, 12, 40, 41, 43-47, 51-54, 57, 70-74, 77-79
X	US 5,933,785 A (TAYLOE) 03 AUGUST 1999, Col. 1, Line 14-Col. 6, Line 62	90-94, 99-105
Y	US 5,559,860 A (MIZIKOVSKY), 24 SEPTEMBER 1996, Col. 6, Lines 7-50	25,106
Y	US 5,604,787 A (KOTZIN et al) 18 FEBRUARY 1997, Col. 2, Line 53-Col. 6, Line 36	25, 106
Y,E	US 6,418,306 B1 (MCCONNELL) 09 JULY 2002, Col. 5, Lines 7-37	13, 14-19
Y	US 6,215,859 B1 (HANSON) 10 APRIL 2001, Col. 2, Line 6-Col. 6, Line 17	13, 14-19