



US00D607207S

(12) **United States Design Patent**
Horiyama et al.

(10) **Patent No.:** **US D607,207 S**
(45) **Date of Patent:** **** Jan. 5, 2010**

(54) **PLASTIC CASE**
(75) Inventors: **Toru Horiyama, Anjo (JP); Shinsuke Okuda, Anjo (JP)**
(73) Assignee: **Makita Corporation, Anjo-shi (JP)**
(**) Term: **14 Years**

(21) Appl. No.: **29/311,076**
(22) Filed: **Dec. 18, 2008**

(30) **Foreign Application Priority Data**
Jun. 23, 2008 (JP) 2008-015997

(51) **LOC (9) Cl.** **03-01**
(52) **U.S. Cl.** **D3/279; D3/281; D3/282; D3/905**
(58) **Field of Classification Search** **D3/272-273, D3/276, 279-282, 291, 294-295, 905; 190/18 A; 206/349, 372-373, 503, 508**
See application file for complete search history.

(56) **References Cited**
U.S. PATENT DOCUMENTS
D291,388 S * 8/1987 Seguin D3/272
D294,080 S * 2/1988 Golia et al. D3/272
D324,948 S * 3/1992 Powers et al. D3/282
D335,030 S * 4/1993 Alfonso D3/279
D360,527 S * 7/1995 Corney et al. D3/279
D374,772 S * 10/1996 Hotaling et al. D3/276

D385,110 S * 10/1997 Yemini D3/282
D416,384 S * 11/1999 Bell D3/273
D422,787 S * 4/2000 Feng D3/273
D438,004 S * 2/2001 Watson et al. D3/276
D574,150 S * 8/2008 Ross D3/279
2003/0079949 A1 * 5/2003 Harvey 190/18 A
2008/0277221 A1 * 11/2008 Josefson et al. 190/18 A

FOREIGN PATENT DOCUMENTS

JP S-1268221 3/2006
* cited by examiner

Primary Examiner—Philip S Hyder
Assistant Examiner—Roselynn Cody
(74) *Attorney, Agent, or Firm*—Oliff & Berridge, PLC

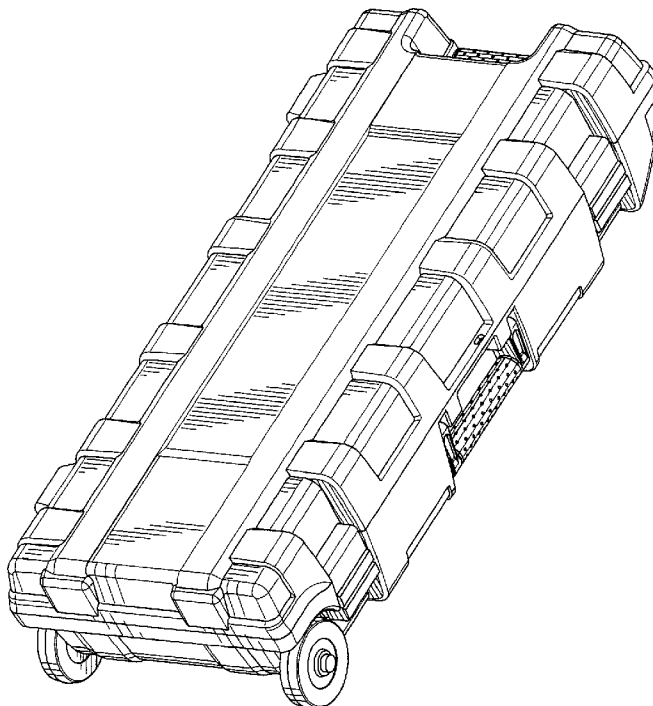
(57) **CLAIM**

The ornamental design for a plastic case, as shown and described.

DESCRIPTION

FIG. 1 is a perspective view of a plastic case showing our new design;
FIG. 2 is a front elevation view thereof;
FIG. 3 is a rear elevation view thereof;
FIG. 4 is a left side elevation view thereof;
FIG. 5 is a right side elevation view thereof;
FIG. 6 is a top plan view thereof; and,
FIG. 7 is a bottom plan view thereof.

1 Claim, 5 Drawing Sheets



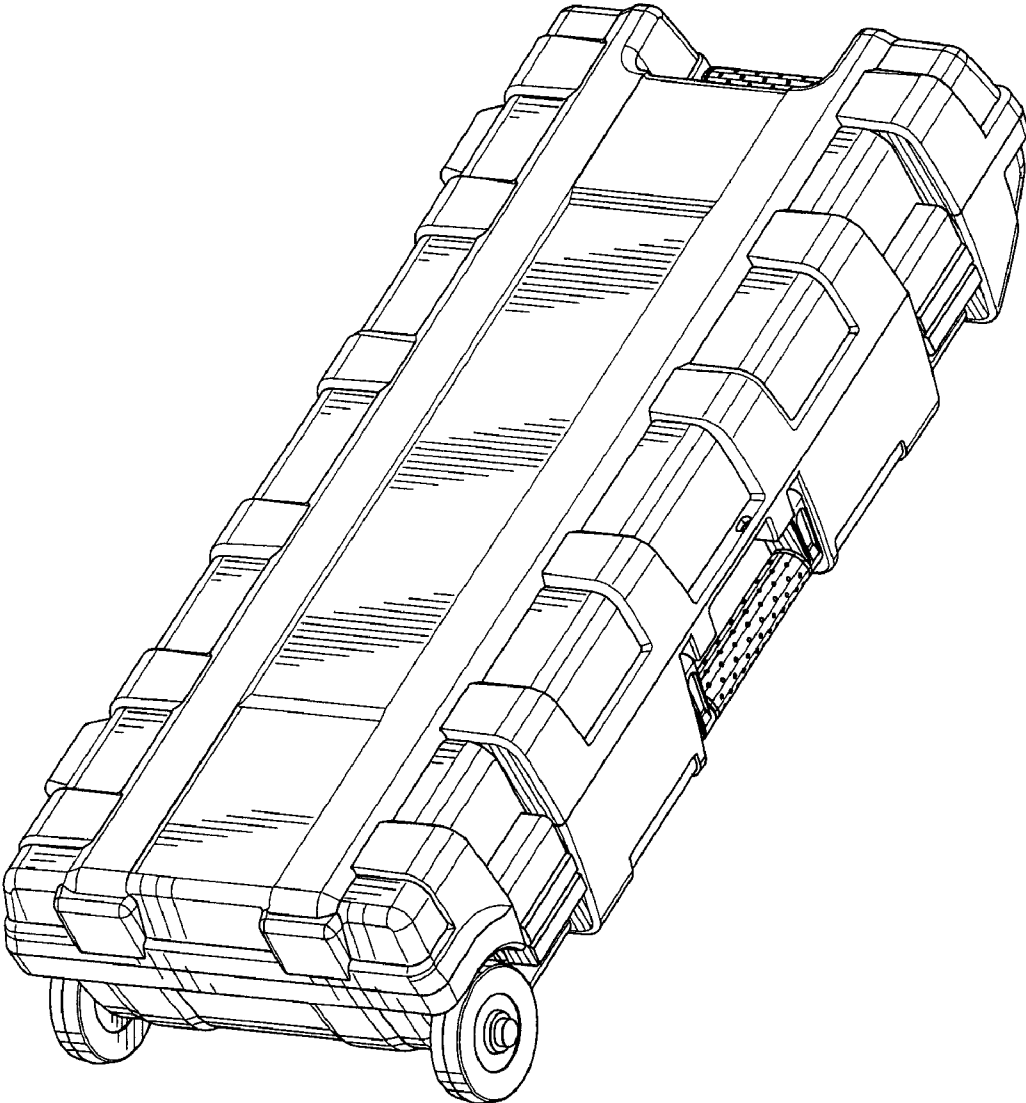


FIG. 1

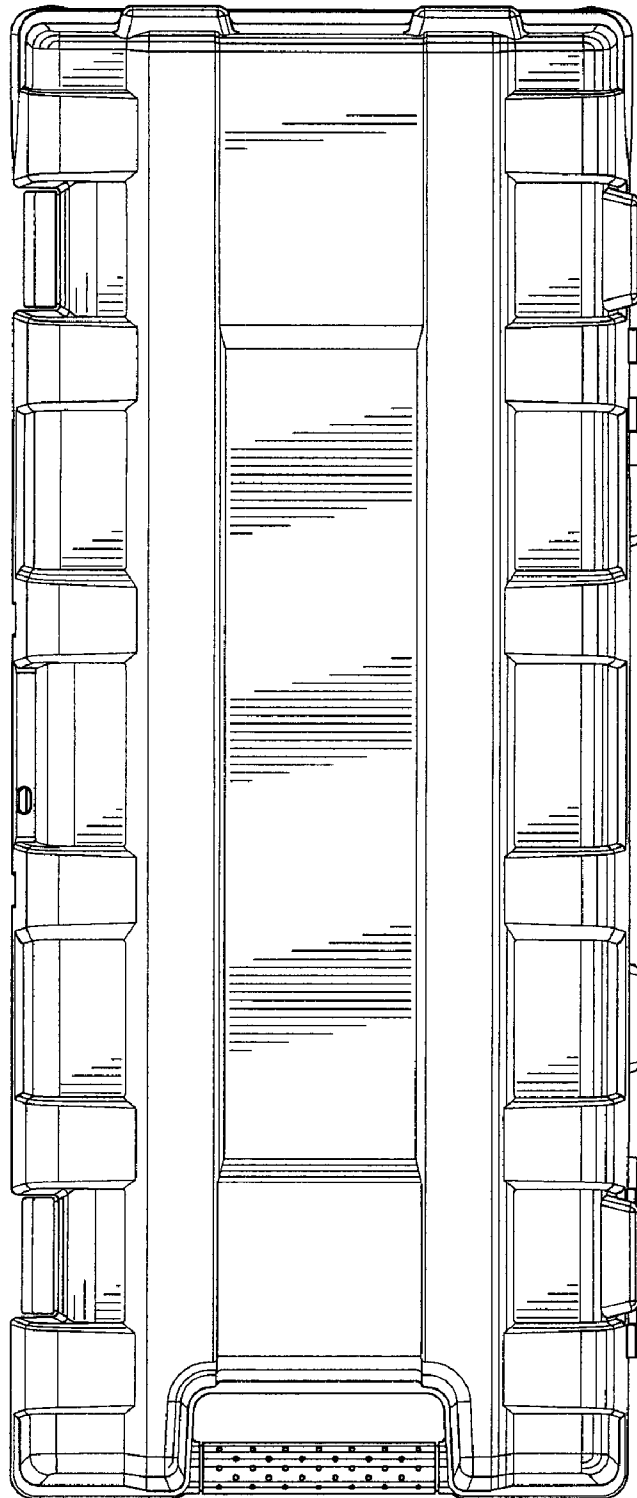


FIG. 2

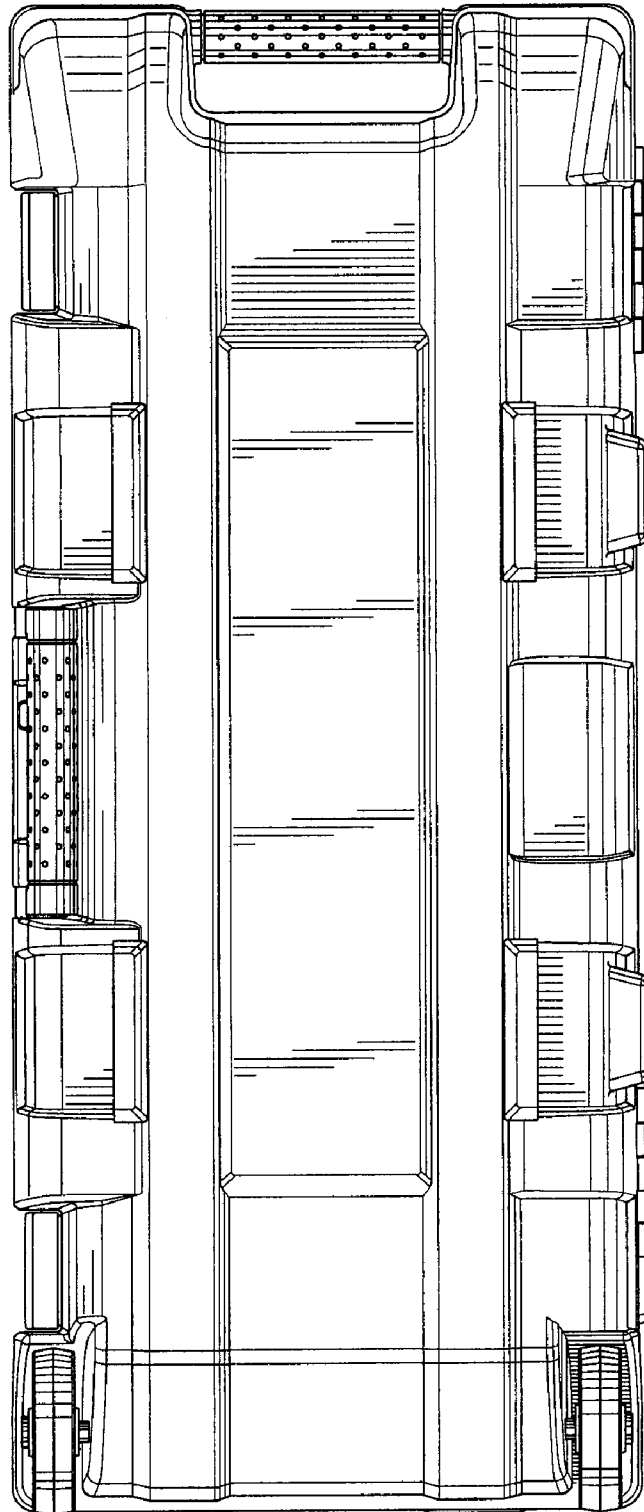


FIG. 3

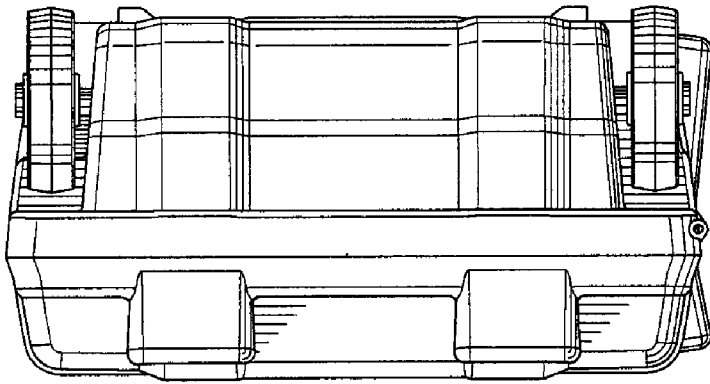


FIG. 5

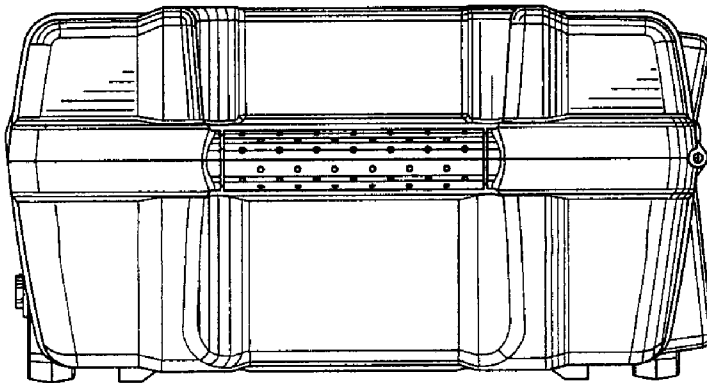


FIG. 4

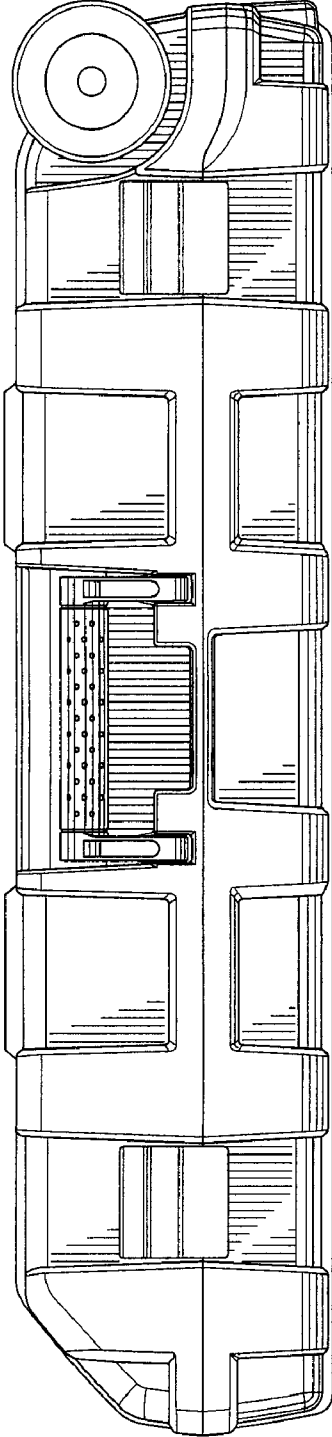


FIG. 6

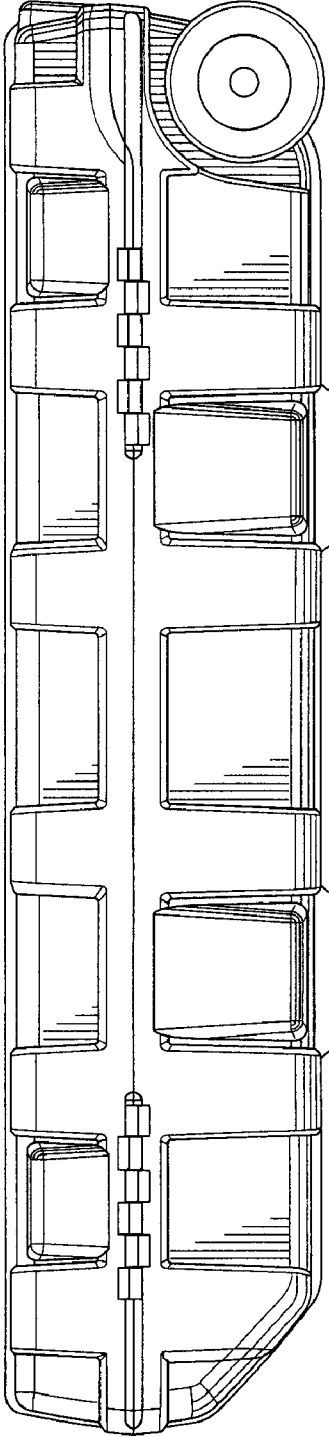


FIG. 7