



US00D665067S

(12) **United States Design Patent**
Browder

(10) **Patent No.:** **US D665,067 S**

(45) **Date of Patent:** **** Aug. 7, 2012**

(54) **FRAGRANCE DISK**

(75) Inventor: **John Browder**, Argyle, TX (US)

(73) Assignee: **IDC Enhanced Lighting Company, LLC**, Roanoke, TX (US)

(**) Term: **14 Years**

(21) Appl. No.: **29/412,686**

(22) Filed: **Feb. 7, 2012**

Related U.S. Application Data

(62) Division of application No. 29/405,474, filed on Nov. 2, 2011, now Pat. No. Des. 656,599.

(51) **LOC (9) Cl.** **28-99**

(52) **U.S. Cl.** **D23/366**

(58) **Field of Classification Search** D23/355-369;
D28/5, 6; 261/DIG. 17, DIG. 42, DIG. 65,
261/DIG. 88, DIG. 89; 392/386, 390, 391,
392/392, 393, 394, 395; 239/34, 35, 44-47,
239/50, 53, 56, 60, 145, 326

See application file for complete search history.

(56) **References Cited**

U.S. PATENT DOCUMENTS

D289,919	S	*	5/1987	O'Neil, Jr.	D23/366
D291,242	S	*	8/1987	Harden et al.	D23/386
4,944,898	A	*	7/1990	Glaser	261/84
D315,202	S	*	3/1991	Kunze	D23/366
D354,344	S	*	1/1995	Fritz et al.	D23/366
D512,496	S	*	12/2005	Harbutt et al.	D23/366
D513,433	S	*	1/2006	Lemaire	D23/366
D514,212	S	*	1/2006	Harbutt et al.	D23/366

D514,213	S	*	1/2006	Harbutt et al.	D23/366
D520,130	S	*	5/2006	Miro	D23/368
D525,352	S	*	7/2006	Lemaire	D23/366
D532,891	S	*	11/2006	Buthier et al.	D23/366
D536,082	S	*	1/2007	Pugh	D23/366
D540,454	S	*	4/2007	Ruiz Ballesteros et al.	D23/366
D550,829	S	*	9/2007	Buthier et al.	D23/367
D582,535	S	*	12/2008	Nickel et al.	D23/366
D585,129	S	*	1/2009	Huang	D23/366
D596,731	S	*	7/2009	Garcia Fabrega et al.	D23/366
D599,898	S	*	9/2009	Nickel et al.	D23/366
D611,589	S	*	3/2010	Ko et al.	D23/366
D612,039	S	*	3/2010	Ko et al.	D23/366
D614,153	S	*	4/2010	Fondurulia et al.	D13/182
D620,572	S	*	7/2010	Moreno et al.	D23/366
D630,311	S	*	1/2011	Chiou	D23/366
D640,358	S	*	6/2011	Irvin	D23/366

* cited by examiner

Primary Examiner — Sandra Snapp

(74) *Attorney, Agent, or Firm* — Brian Harris

(57) **CLAIM**

The ornamental design for a fragrance disk, as shown and described.

DESCRIPTION

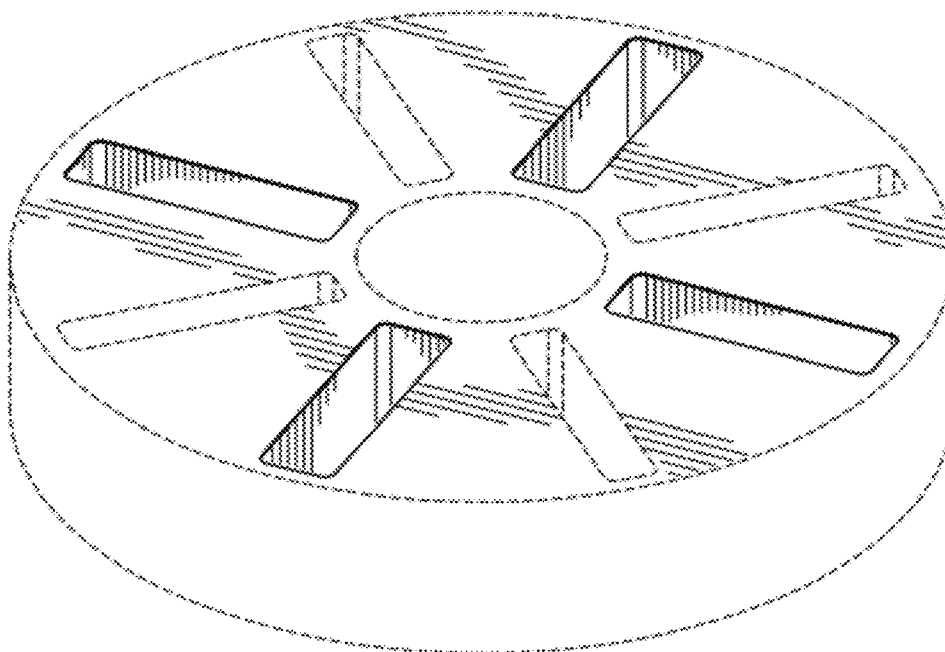
FIG. 1 is a perspective view of a fragrance disk showing my new design;

FIG. 2 is a front side view thereof, the back side, left side, and right side views being identical thereto; and,

FIG. 3 is a top view thereof, the bottom view being identical thereto.

The broken lines represent unclaimed boundaries of the design.

1 Claim, 2 Drawing Sheets



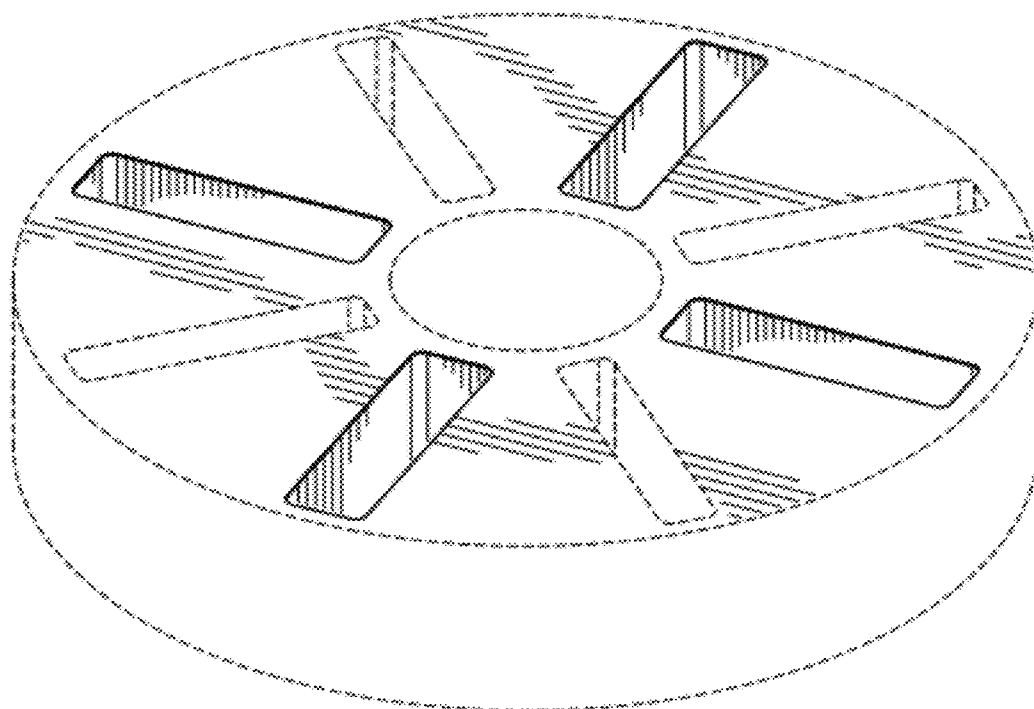


FIG. 1



FIG. 2

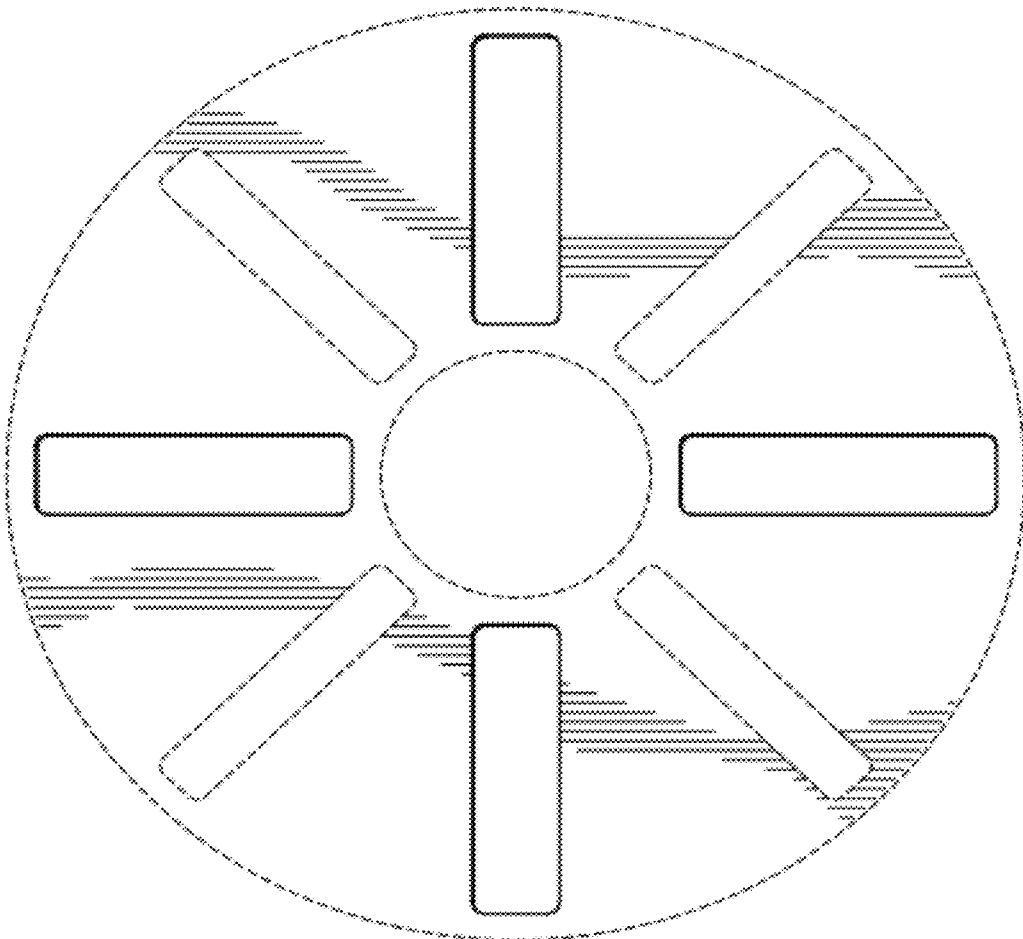


FIG. 3