



US00D744179S

(12) **United States Design Patent**
Lee et al.

(10) **Patent No.:** **US D744,179 S**

(45) **Date of Patent:** **** Nov. 24, 2015**

(54) **WASHING MACHINE**

(71) Applicant: **Samsung Electronics Co., Ltd.**,
Suwon-si (KR)

(72) Inventors: **Joon Ho Lee**, Seoul (KR); **Ye Kyung Yoo**, Seoul (KR); **Ji Kyoung Kim**,
Yongin-si (KR)

(73) Assignee: **Samsung Electronics Co., Ltd.**,
Suwon-si (KR)

(**) Term: **14 Years**

(21) Appl. No.: **29/494,991**

(22) Filed: **Jun. 26, 2014**

(30) **Foreign Application Priority Data**

Dec. 27, 2013 (KR) 30-2013-0065785

(51) **LOC (10) Cl.** **15-05**

(52) **U.S. Cl.**

USPC **D32/28**

(58) **Field of Classification Search**

USPC D32/1, 25, 29, 5-6, 8, 28

CPC D06F 58/00; D06F 58/02; D06F 58/04;

D06F 58/20; D06F 33/02; D06F 39/02;

D06F 2204/065; D06F 25/00; D06F 35/006

See application file for complete search history.

(56) **References Cited**

U.S. PATENT DOCUMENTS

D477,898 S * 7/2003 Geyer D32/6

D517,256 S * 3/2006 Kim D32/6

D517,257 S * 3/2006 Kim et al. D32/6

D518,251 S * 3/2006 Kwon et al. D32/6

D529,242 S * 9/2006 Ha et al. D32/6

D549,898 S * 8/2007 Suh D32/6

D549,899 S * 8/2007 Suh D32/6

D550,907 S * 9/2007 Jeon et al. D32/6

D551,401 S * 9/2007 Jeon et al. D32/6

D552,807 S * 10/2007 Jeon et al. D32/6

D559,480 S * 1/2008 Kwon et al. D32/6

D582,105 S * 12/2008 Cho et al. D32/6

D635,727 S * 4/2011 Jeon et al. D32/6

D701,009 S * 3/2014 Jinnam et al. D32/6

* cited by examiner

Primary Examiner — T. Chase Nelson

Assistant Examiner — Michelle E Wilson

(74) *Attorney, Agent, or Firm* — NSIP Law

(57) **CLAIM**

We claim the ornamental design for a washing machine, as shown and described.

DESCRIPTION

FIG. 1 is a front perspective view of a washing machine showing our new design;

FIG. 2 is a front view thereof;

FIG. 3 is a rear view thereof;

FIG. 4 is a left-side view thereof;

FIG. 5 is a right-side view thereof;

FIG. 6 is a top view thereof;

FIG. 7 is a bottom view thereof; and,

FIG. 8 is an enlarged view of the claimed portion of the washing machine.

The broken lines illustrating portions of the washing machine are for environmental purposes only and form no part of the claimed design.

1 Claim, 8 Drawing Sheets

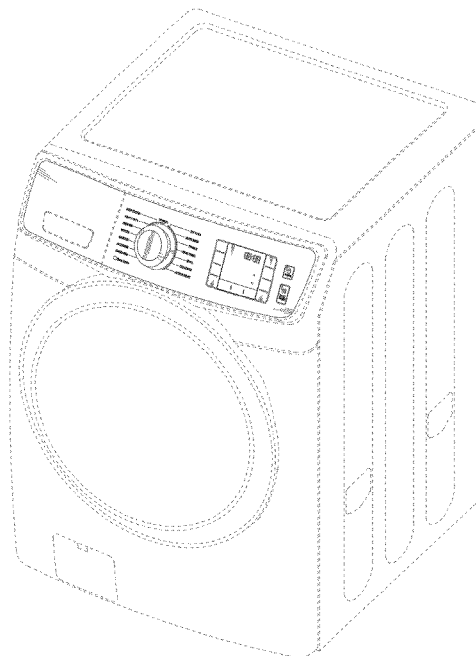


Fig. 1

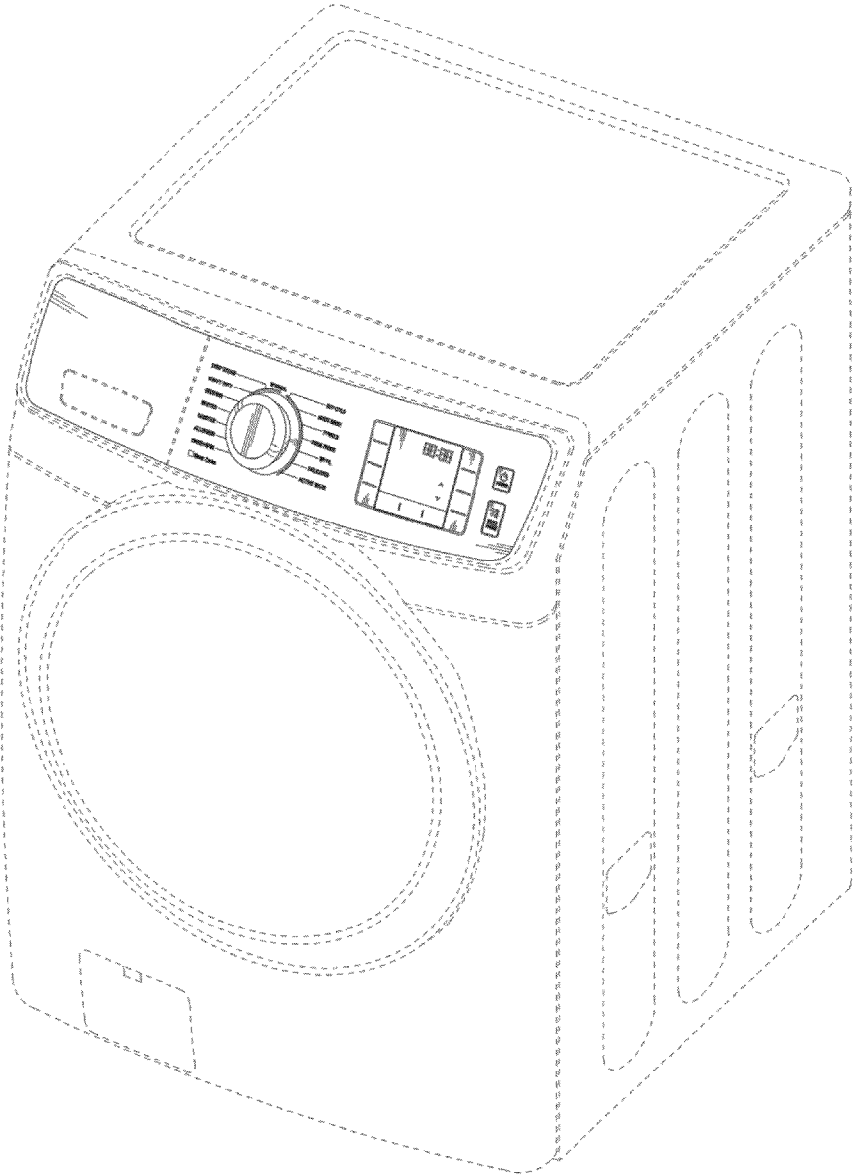


Fig. 3

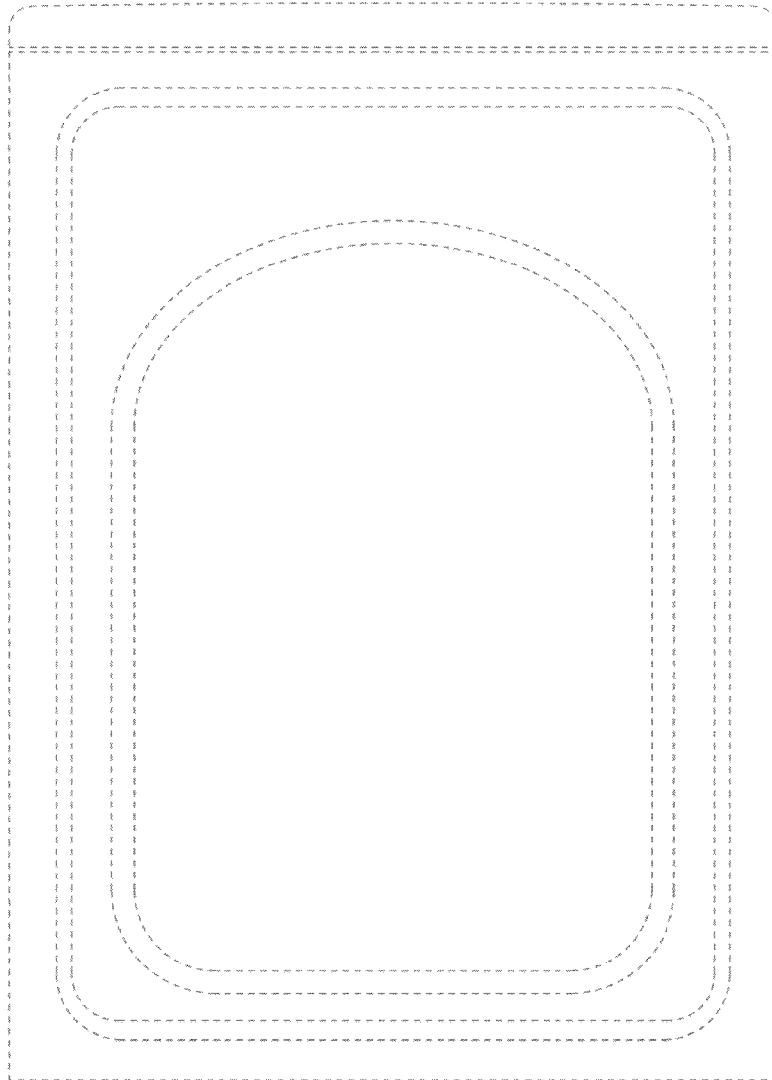


Fig. 4

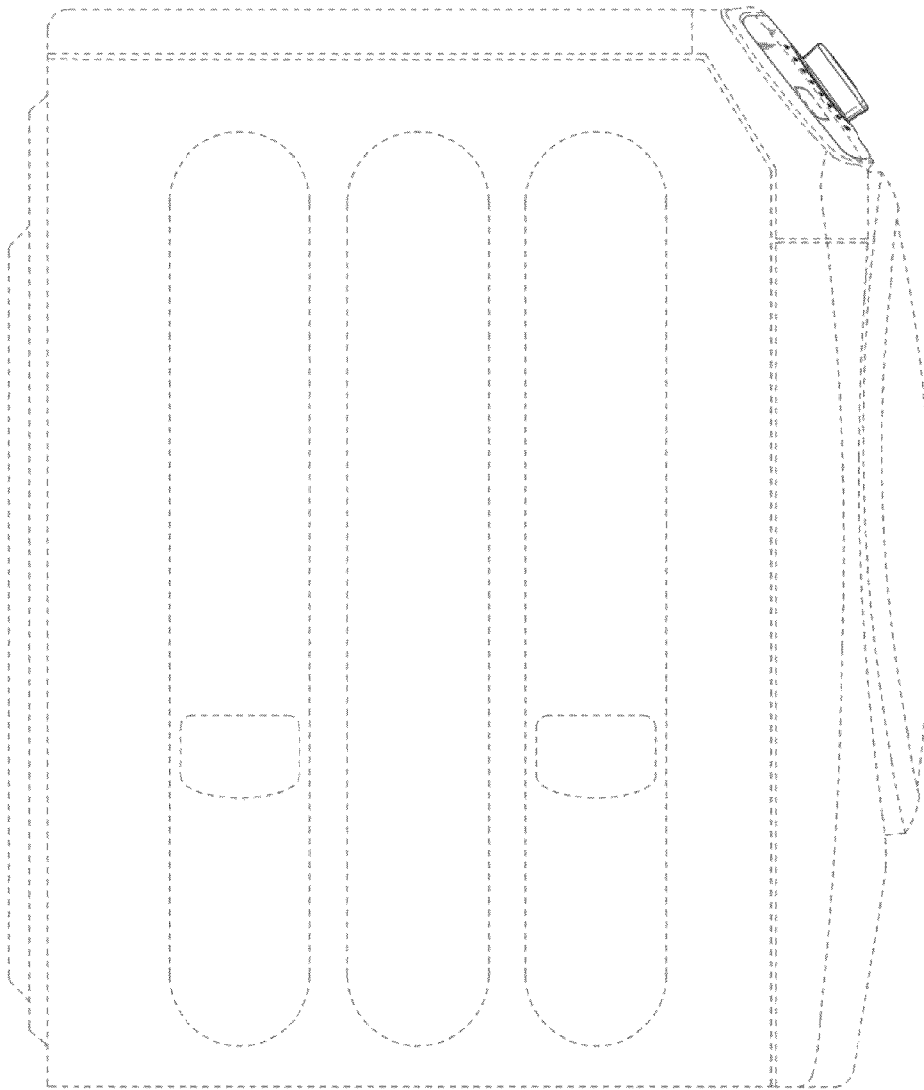


Fig. 5

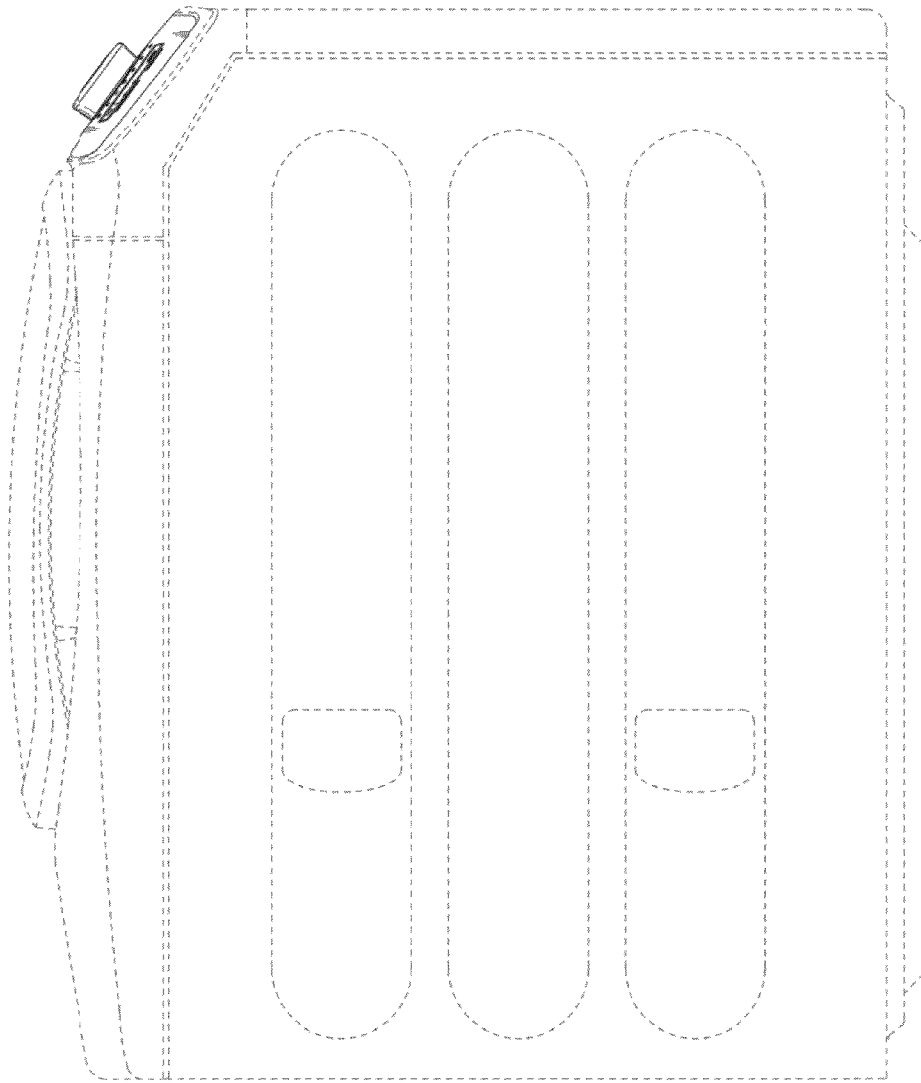


Fig. 6

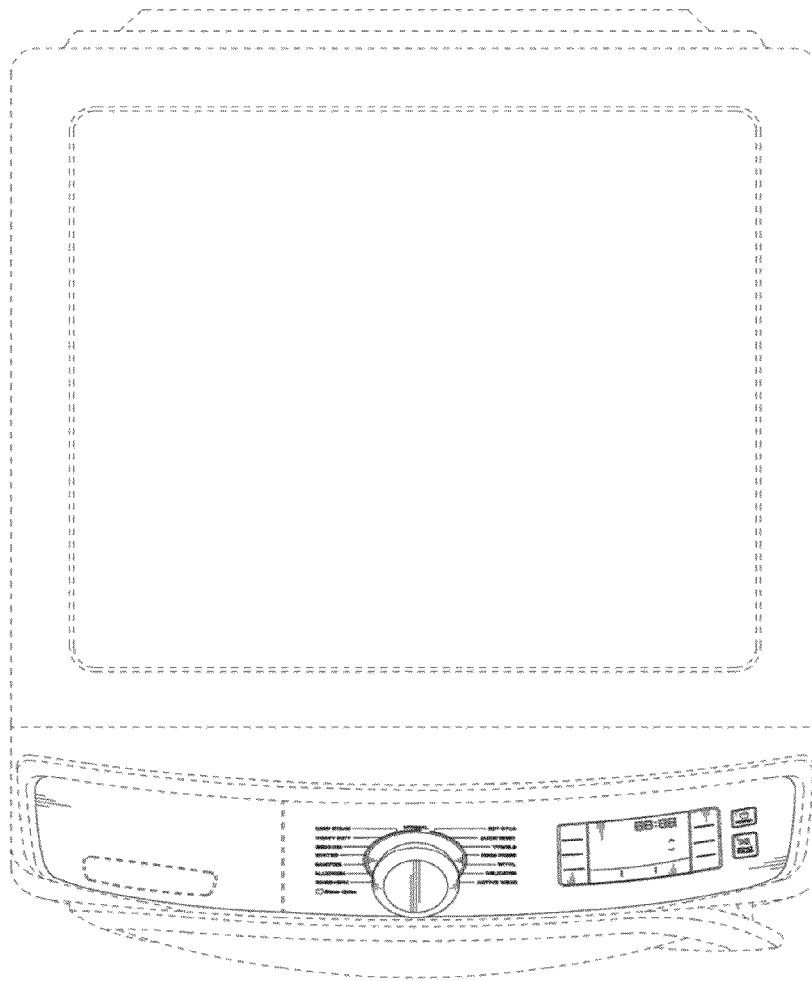


Fig. 7



Fig. 8

