



US00D961963S

(12) **United States Design Patent**
Packer et al.

(10) **Patent No.:** **US D961,963 S**

(45) **Date of Patent:** **** Aug. 30, 2022**

(54) **DESK**
(71) Applicant: **WALKER EDISON FURNITURE COMPANY LLC**, Salt Lake City, UT (US)
(72) Inventors: **Richard Packer**, Kaysville, UT (US); **Alexa Naylor**, South Jordan, UT (US)
(73) Assignee: **Walker Edison Furniture Company LLC**, West Jordan, UT (US)

D179,871 S 3/1957 Wrablica
D181,602 S 12/1957 Polk
D183,576 S 9/1958 Joseph
D187,188 S * 2/1960 Schift Gross et al. D6/641
D200,783 S * 4/1965 Carr D6/691.1
3,243,246 A 3/1966 Eversman
D155,976 S 11/1967 Dimham
D209,404 S 11/1967 Pearlman
3,359,930 A 12/1967 Schreyer
3,806,219 A 4/1974 Ahmann

(Continued)

(**) Term: **15 Years**

(21) Appl. No.: **29/743,397**

(22) Filed: **Jul. 21, 2020**

(51) **LOC (13) Cl.** **06-03**

(52) **U.S. Cl.**
USPC **D6/655.1**

(58) **Field of Classification Search**
USPC D6/641, 642, 644, 647, 648.1, 648.4, D6/650.1, 651, 653.1, 653.18, 655, 655.1, D6/655.18, 655.22, 656, 691–691.9
CPC A47B 7/00; A47B 13/00; A47B 13/03; A47B 13/02; A47B 13/04; A47B 13/06; A47B 13/08; A47B 2200/0001; A47B 22/0011; A47B 2200/0035; A47B 21/00; A47B 21/03; A47B 21/034
See application file for complete search history.

(56) **References Cited**

U.S. PATENT DOCUMENTS

1,549,586 A * 8/1925 Marsh A47B 21/00 108/131
D146,845 S 6/1947 Bach
D146,846 S 6/1947 Bach
D154,440 S 7/1949 Taubert
2,545,253 A 3/1951 Bergson
D169,375 S 4/1953 Knoll
D177,195 S 3/1956 Smith

OTHER PUBLICATIONS

Canal Desk by Sand & Sable, first available: Jul. 4, 2020. Wayfair.com [online], [site visited Feb. 15, 2022], Internet URL: https://www.wayfair.com/furniture/pdp/sand-stable-canal-desk-w004726572.html (Year: 2020).*

(Continued)

Primary Examiner — Steven J Czyz
Assistant Examiner — Hillary Catherine Shepard
(74) *Attorney, Agent, or Firm* — Workman Nydegger

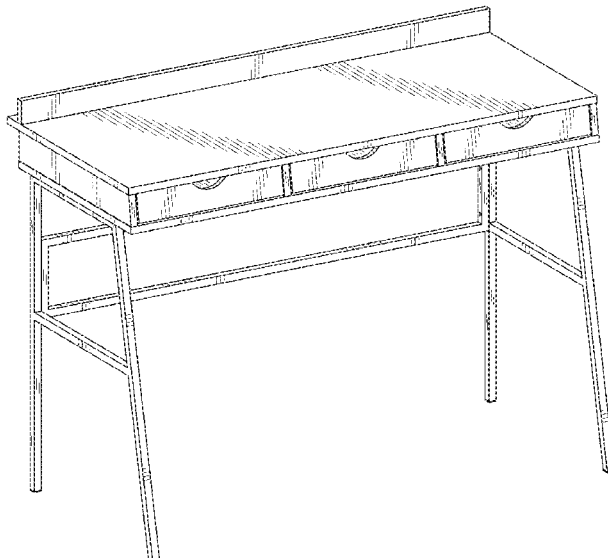
(57) **CLAIM**

The ornamental design for a desk, as shown and described.

DESCRIPTION

FIG. 1 is a front perspective view of a desk showing the new design;
FIG. 2 is a front elevation view thereof;
FIG. 3 is a back elevation view thereof;
FIG. 4 is a top plan view thereof;
FIG. 5 is a bottom plan view thereof;
FIG. 6 is a right elevation view thereof; and,
FIG. 7 is a left elevation view thereof.
The broken lines in the drawings are for the purpose of illustrating portions of the article that form no part of the claimed design.

1 Claim, 4 Drawing Sheets



(56)

References Cited

U.S. PATENT DOCUMENTS

D237,337 S *	10/1975	Peets	D6/655.18	D854,864 S	7/2019	Lim	
3,920,298 A	11/1975	Lopez		D860,687 S *	9/2019	Parikh	D6/655.1
D242,969 S	1/1977	Carter		D871,111 S *	12/2019	Parikh	D6/655.1
D244,072 S	4/1977	Schaecher		D877,543 S	3/2020	Davis	
4,326,760 A	4/1982	Ziegelheim		D878,822 S	3/2020	Davis	
4,445,731 A	5/1984	Ahmann		D882,300 S	4/2020	Li	
D278,294 S	4/1985	Dau		D885,091 S	5/2020	Davis	
D302,088 S	7/1989	Burt		D888,466 S	6/2020	Li	
D304,530 S	11/1989	Bush		D891,821 S	8/2020	Li	
D304,979 S	12/1989	Bush		D891,823 S	8/2020	Li	
D313,518 S	1/1991	Bush		D900,518 S	11/2020	Davis	
D314,112 S	1/1991	Dainty		D904,084 S	12/2020	Davis	
5,082,336 A	1/1992	Munch		D904,799 S *	12/2020	Li	D6/654.1
D324,963 S	3/1992	LaCour		D908,851 S	1/2021	Lee	
D326,384 S	5/1992	Burt		D909,095 S	2/2021	Li	
D343,072 S	1/1994	Schulman		D909,098 S *	2/2021	Li	D6/654.1
D346,078 S	4/1994	Schulman		D910,341 S	2/2021	Ye	
D378,966 S	4/1997	Helmsderfer		D916,537 S	4/2021	Davis	
D380,624 S	7/1997	Mezger		D917,934 S	5/2021	Chu	
D391,421 S	3/1998	Steelman		D922,103 S	6/2021	Wang	
D391,794 S	3/1998	Helmsderfer		D927,894 S	8/2021	Jia	
D397,893 S	9/1998	Helmsderfer		D928,536 S	8/2021	Huang	
D408,190 S	4/1999	Helmsderfer		D931,654 S *	9/2021	Li	D6/655.1
D412,258 S	7/1999	Helmsderfer		D931,656 S	9/2021	Li	
D412,634 S	8/1999	Helmsderfer		D931,657 S	9/2021	He	
D440,793 S	4/2001	Iannaccone		D937,014 S *	11/2021	Jackson	D6/655.11
D444,313 S *	7/2001	Hutton	D6/691	D945,797 S *	3/2022	Davis	D6/654.11
D465,941 S	11/2002	Ko		D946,330 S *	3/2022	Li	D6/691
D474,355 S	5/2003	Sexton		2002/0020655 A1 *	2/2002	McKsymick	A47B 3/06 206/738
D481,229 S	10/2003	Weaver		2007/0169673 A1	7/2007	Tseng	
D486,016 S	2/2004	Stanton		2010/0018442 A1	1/2010	Knudsen	
D488,320 S	4/2004	De Blois		2011/0061571 A1	3/2011	Hilde	
D497,742 S *	11/2004	Dortch	D6/695	2014/0265754 A1	9/2014	Patterson	
D501,335 S	2/2005	Stangl					
D505,566 S	5/2005	Juneau					
D530,941 S	10/2006	Domack					
D532,999 S	12/2006	Domack					
D535,116 S	1/2007	Maitland					
D544,275 S	6/2007	Tanus					
D545,099 S	6/2007	Fernandez					
D546,503 S *	7/2007	Kreiss	D6/653				
D549,025 S	8/2007	Van Alstyne					
D574,635 S	8/2008	Eustace					
D584,073 S	1/2009	Mohundro					
D592,435 S	5/2009	Jasman					
7,641,294 B1	1/2010	Goldberg					
D611,748 S	3/2010	Stephens					
D618,939 S	7/2010	Gibbs					
D620,732 S	8/2010	Andrews					
D626,759 S	11/2010	Joh					
D632,115 S	2/2011	Gibbs					
D632,900 S	2/2011	Goldberg					
D635,376 S	4/2011	Cortivo					
D648,568 S	11/2011	Cortivo					
D669,704 S	10/2012	Zambelli					
D670,105 S *	11/2012	Jespersen	D6/691				
D684,406 S	6/2013	Cockrell					
D721,525 S *	1/2015	Huang	D6/691.9				
D721,908 S *	2/2015	Hughes	D6/691.9				
D723,306 S	3/2015	Kielwasser					
D736,529 S	8/2015	Cohen					
D746,614 S	1/2016	Sheppard					
9,254,045 B2	2/2016	Nassif					
D774,334 S	12/2016	Lawrence					
D783,316 S	4/2017	Davis					
D794,366 S *	8/2017	Tsuchiyama	D6/709				
D794,982 S	8/2017	Palma					
D798,084 S	9/2017	Acuff					
D826,599 S *	8/2018	Jahns	D6/654.1				
D829,025 S	9/2018	Davis					
D832,613 S	11/2018	Parikh					
D834,856 S	12/2018	Parikh					
D845,668 S	4/2019	Parikh					
D851,964 S *	6/2019	Davis	D6/655.11				
D853,160 S	7/2019	Barber					

OTHER PUBLICATIONS

Writing Desk by Carbon Loft, first available: Jun. 3, 2020. Overstock.com [online], [site visited Feb. 15, 2022], Internet URL: <https://www.overstock.com/Home-Garden/Carbon-Loft-42-3-Drawer-Writing-Desk/30680135/product.html#reviewRegion> (Year: 2020).*

Evelyn 3 Drawer Angled Writing Desk by Saracina Home, first available: Unknown. Target.com [online], [site visited Feb. 15, 2022], Internet URL: <https://www.target.com/p/evelyn-3-drawer-angled-writing-desk-with-cord-management-slots-saracina-home/-/A-80698671?preselect=80224904#lnk=sametab> (Year: 2022).*

U.S. Appl. No. 29/573,766, filed Aug. 9, 2016, Davis.

U.S. Appl. No. 29/634,920, filed Jan. 25, 2018, Davis.

U.S. Appl. No. 29/634,929, filed Jan. 25, 2018, Davis.

U.S. Appl. No. 29/656,477, filed Jul. 12, 2018, Davis.

U.S. Appl. No. 29/654,952, filed Jun. 28, 2018, Davis.

U.S. Appl. No. 29/720,947, filed Jan. 16, 2020, Davis.

U.S. Appl. No. 29/743,408, filed Jul. 21, 2020, Packer.

U.S. Appl. No. 29/743,410, filed Jul. 21, 2020, Packer.

U.S. Appl. No. 29/743,593, filed Jul. 22, 2020, Packer.

U.S. Appl. No. 29/677,755, filed Jan. 23, 2019, Davis.

U.S. Appl. No. 29/677,761, filed Jan. 23, 2019, Davis.

U.S. Appl. No. 29/767,930, filed Jan. 26, 2021, Duhadway.

U.S. Appl. No. 29/768,093, filed Jan. 27, 2021, Duhadway.

U.S. Appl. No. 29/768,095, filed Jan. 27, 2021, Duhadway.

U.S. Appl. No. 29/784,675, filed May 20, 2021, Duhadway.

U.S. Appl. No. 29/796,683, filed Jun. 25, 2021, Naylor.

U.S. Appl. No. 29/801,168, filed Jul. 27, 2021, Duhadway.

Small Wooden Desk With Drawers, suspilstvo.info <http://suspilstvo.info/small-wooden-desk-with-drawers/modern-solid-wood-desk-computer-study-show-homes-minimalist-with-drawers-m-wood-desk-with-drawers-small-wood-comput>, retrieved from the internet on Nov. 5, 2018.

Legend Desk—Harvey Norman, <https://www.harveynorman.co.nz/furniture/home-office-equip/desks-and-suites/legend-desk.html>, retrieved from the internet on Nov. 5, 2018.

Diana Desk with Drawer—walmart.com, <https://www.walmart.com/ip/Diana-Desk-with-Drawer/126384407?sourceid=csebr035413>, retrieved from the internet on Nov. 5, 2018.

(56)

References Cited

OTHER PUBLICATIONS

52 in. A-Frame Rustic Faux Marble and Walnut Entry Console Table by Walker Edison Furniture Company—Home Depot, <https://www.homedepot.com/p/Walker-Edison-Furniture-Company-52-in-A-Frame-Rustic-Faux-Marble-and-Walnut-Entry-Console-Table-HDF52AFTMNW/302034903>, retrieved from the internet on Sep. 8, 2019.

52 A-Frame Rustic Entry Console Table Reclaimed Barnwood—Walmart.com, <https://www.walmart.com/ip/52-A-Frame-Rustic-Entry-Console-Table-Reclaimed-Barnwood/561617562>, retrieved from the internet on Sep. 9, 2019.

46" Rustic Farmhouse Wood Computer Desk by Walker Edison Furniture Company—Home Depot, <https://www.homedepot.com/p/Walker-Edison-Furniture-Company-52-in-A-Frame-Rustic-Faux-Marble-and-Walnut-Entry-Consol-Table-HDF52AFTMNW/302034903>, retrieved from the internet on Sep. 9, 2019.

48 in. White Oak Open-Top Storage Bench with Shoe Shelf, [online] Retrieved Oct. 15, 2019 from URL: <https://www.homedepot.com/p/Walker-Edison-Furniture-Company-48-in-White-Oak-Open-Top-Storage-Bench-with-Shoe-Shelf-HD48PCSBWO/303295636>.

50" Entryway Bench with Slatted Shelf—50×14×18h. [online] Retrieved Oct. 8, 2019 from URL: <https://www.overstock.com/Home-Garden/50-Entryway-Bench-with-Slatted-Shelf-50-x-14-x-18h/17179515/product.html?option=28693203>.

Ermont Wood Storage Bench, [online] Retrieved Oct. 8, 2019 from URL: <https://www.allmodern.com/furniture/pdp/ermont-wood-storage-bench-lrfy1915.html>.

Odetta Desk; anthropologie.com; <https://www.anthropologie.com/shop/odetta-desk?color=006&size=0000>; Retrieved on Aug. 20, 2018. Pinterest; Odetta Desk—Anthropologie; <https://www.pinterest.com/pin/33636328453037064/>; Retrieved on Aug. 20, 2018.

Wayfair; Glenell Floating Desk; retrieved on Mar. 12, 2021; <https://www.wayfair.com/furniture/pdp/latitude-run-glenell-floating-desk-w001974591.html>.

Wayfair; Coward Executive Desk; retrieved on Mar. 12, 2021; <https://www.wayfair.com/furniture/pdp/union-rustic-coward-executive-desk-1gly7134.html?piid=>

West Elm Website “furniture” search; Westelm.com; retrieved Apr. 20, 2020 (online); https://www.westelm.com/shop/furniture/?searchredir=true&cm_sp=HeaderLinks_-_OnsiteSearch_-_MainSite&cm_type=OnsiteSearch&term=furniture&searchredirtype=br.

Crate and Barrel Website “Business Interior Design” search; crateandbarrel.com; retrieved Nov. 6, 2020 (online); https://www.crateandbarrel.com/trade-program/?a=784&campaignid=1061902950&adgroupid=55881134521&targetid=aud-1097585102856:kwd-415008832538&adpos=&creative=251673559670&device=c&matchtype=e&network=g&gclid=Cj0KCQjwytOEBhD5ARIsANnRjVgCRKanneP5yMquG6rsNP7KAU-nUpzG5NfgZU-PhRCRUgz507lItMaAhvLEALw_wCB.

Raymour Flanigan Website “Home Office, Office Desk” search; raymourflanigan.com; retrieved Nov. 6, 2020 (online); <https://www.raymourflanigan.com/home-office/office-desks>.

Urban Wood Goods Website; urbanwoodgoods.com; retrieved Nov. 6, 2020 (online); https://urbanwoodgoods.com/?gclid=Cj0KCQjwytOEBhD5ARIsANnRjVjosDOY-qph1qh4aR1ZtVcUEoz4sYGbPdI5pgF4uBWjXNcdEdWxWkaAge3EALw_wCB.

Borofka’s Furniture Website “Bridgeport, Bookcase, Allison” search; borofkasfurniture.com; retrieved May 13, 2020; <https://www.borofkasfurniture.com/bridgeport-desk-system-1/bballisondesk1-p207/iteminformation.aspx>.

Writers Desk Elm 77 Black Leather—The Modern Furniture Store <https://themodern.net.au/products/writers-desk-elm-77-black-leather> retrieved from the internet on Jul. 14, 2021.

U.S. Appl. No. 29/634,920, dated Sep. 13, 2019, Office Action.

U.S. Appl. No. 29/656,477, dated Sep. 13, 2019, Office Action.

U.S. Appl. No. 29/634,929, dated Nov. 1, 2019, Notice of Allowance.

U.S. Appl. No. 29/656,477, dated Jan. 30, 2020, Notice of Allowance.

U.S. Appl. No. 29/654,952, dated Apr. 21, 2020, Notice of Allowance.

U.S. Appl. No. 29/634,920, dated Sep. 15, 2020, Notice of Allowance.

U.S. Appl. No. 29/720,947, dated Oct. 4, 2021, Office Action.

U.S. Appl. No. 29/767,928, filed Jan. 26, 2021, Duhadway.

Metal X Farmhouse Desk by The Gray Barn, first available: May 20, 2020. Overstock.com [online], [site visited Feb. 15, 2022], Internet U R L : <https://www.overstock.com/Home-Garden/The-Grey-Barn-42-Metal-X-Farmhouse-Desk/27989122/product.html?kwd=&rfmt=color%3AGREY&option=64326779> (Year: 2020).

Arsenault Desk by 17 Stories, first available: Jul. 15, 2019. Wayfair.com [online], [site visited Feb. 15, 2022], Internet URL: <https://www.wayfair.com/furniture/pdp/17-stories-arsenault-desk-w005934740.html> (Year: 2019).

Englewood Desk by ForestGate, first available: Unknown. Bedbathandbeyond.com [online], [site visited Feb. 15, 2022], Internet URL: <https://www.bedbathandbeyond.com/store/product/forest-gate-englewood-42-inch-desk/5499504?keyword=office-desk> (Year: 2022).

Mesh Back Writing Desk by Carbon Loft, first available: Sep. 17, 2019. Overstock.com [online], [site visited Feb. 15, 2022], Internet URL: <https://www.overstock.com/Home-Garden/Carbon-Loft-42-Mesh-Back-Writing-Desk/27989012/product.html> (Year: 2019).

Mesh Back Writing Desk by Walker Edison, first available: Unknown. Englishelm.com [online], [site visited Feb. 15, 2022], Internet URL: <https://englishelm.com/products/walker-edison-42-mesh-back-writing-desk-d42cormbsg-d42cormbro-d42cormbdw?variant=32204581732397> (Year: 2022).

Mesh Back Writing Desk by Corbin, first available: Unknown. Homesquare.com [online], [site visited Feb. 15, 2022], Internet URL: <https://www.homesquare.com/42-Mesh-Back-Writing-Desk-Dark-Walnut-D42CORMBDW.htm#reviewSection> (Year: 2022).

Onamia L-Shape Desk by 17 Stories, first available: Mar. 28, 2020. Wayfair.com [online], [site visited Apr. 11, 2022], Internet URL: <https://www.wayfair.com/furniture/pdp/17-stories-onamia-l-shape-desk-w002807498.html> (Year: 2020).

52" L-Shepard Computer Desk with Storage by Home Accent Furnishings Store, first available: May 18, 2020. Amazon.com [online], [site visited Apr. 11, 2022], Internet URL: <https://www.amazon.com/52-L-Shaped-Computer-Desk-Storage/dp/B088SGSNJW> (Year: 2020).

52" L-Shaped Computer Desk by Middlebrook Designs, first available: Apr. 10, 2020. Website [online], [site visited Apr. 11, 2022], Internet URL: <https://www.overstock.com/Home-Garden/Carbon-Loft-52-L-Shaped-Computer-Desk-with-Storage/30679901/product.html#reviewRegion> (Year: 2020).

Tucson 42 in. Black/Cherry Large Rectangle Wood Coffee Table with Shelf; <https://www.homedepot.com/p/Convenience-Concepts-Tucson-42-in-Black-Cherry-Large-Rectangle-Wood-Coffee-Table-with-Shelf-161842/302768747>; retrieved on Apr. 26, 2022.

Verlyn 4 Legs Coffee Table with Storage; <https://www.wayfair.com/furniture/pdp/beachcrest-home-verlyn-4-legs-coffee-table-with-storage-w000297227.html?piid=206567667#0ntlalza15u-3>; retrieved on Apr. 26, 2022.

Hampton Pure White End Table; <https://www.homedepot.com/p/International-Concepts-Hampton-Pure-White-End-Table-OT08-70E/301841597>; retrieved on Apr. 26, 2022.

Gannett 22" Tall End Table; <https://www.wayfair.com/furniture/pdp/august-grove-gannett-end-table-with-storage-w004698268.html?piid=975687093%2C975687088>; retrieved on Apr. 26, 2022.

Edyo Living Coffee Table Industrial Metal Legs with Storage Shelf for Living Room, Modern Farmhouse Coffee Table (Grey/Espresso); https://www.amazon.com/EDYO-LIVING-Industrial-Farmhouse-Expresso/dp/B09B6N32BT/ref=sr_1_13?keywords=Coffee+Table+Farmhouse&qid=1636678977&sr=8-13; retrieved on Apr. 26, 2022.

Harton 48.03" Console Table; <https://www.wayfair.com/furniture/pdp/gracie-oaks-lucca-console-table-w002092952.html>; retrieved on Apr. 26, 2022.

(56)

References Cited

OTHER PUBLICATIONS

Rossitano 25" Tall Solid Wood End Table; <https://www.wayfair.com/furniture/pdp/gracie-oaks-rossitano-end-table-hlds6279.html>; retrieved on Apr. 26, 2022.

U.S. Appl. No. 29/743,410, dated Mar. 9, 2022, Office Action.

U.S. Appl. No. 29/743,408, dated Mar. 16, 2022, Office Action.

U.S. Appl. No. 29/743,593, dated Apr. 26, 2022, Office Action.

U.S. Appl. No. 29/720,947, dated Jan. 21, 2022, Notice of Allowance.

Amazon.com, Walker Edison Modern Wood and Metal Wall Mounted Writing Desk Home Office Workstation Small, Jul. 30, 2020, <https://www.amazon.com/Walker-Edison-Mounted-Writing-Wprkstation/dp/B08D KLN23 H/> (Year: 2020).

U.S. Appl. No. 29/767,930, dated Jun. 7, 2022, Office Action.

* cited by examiner

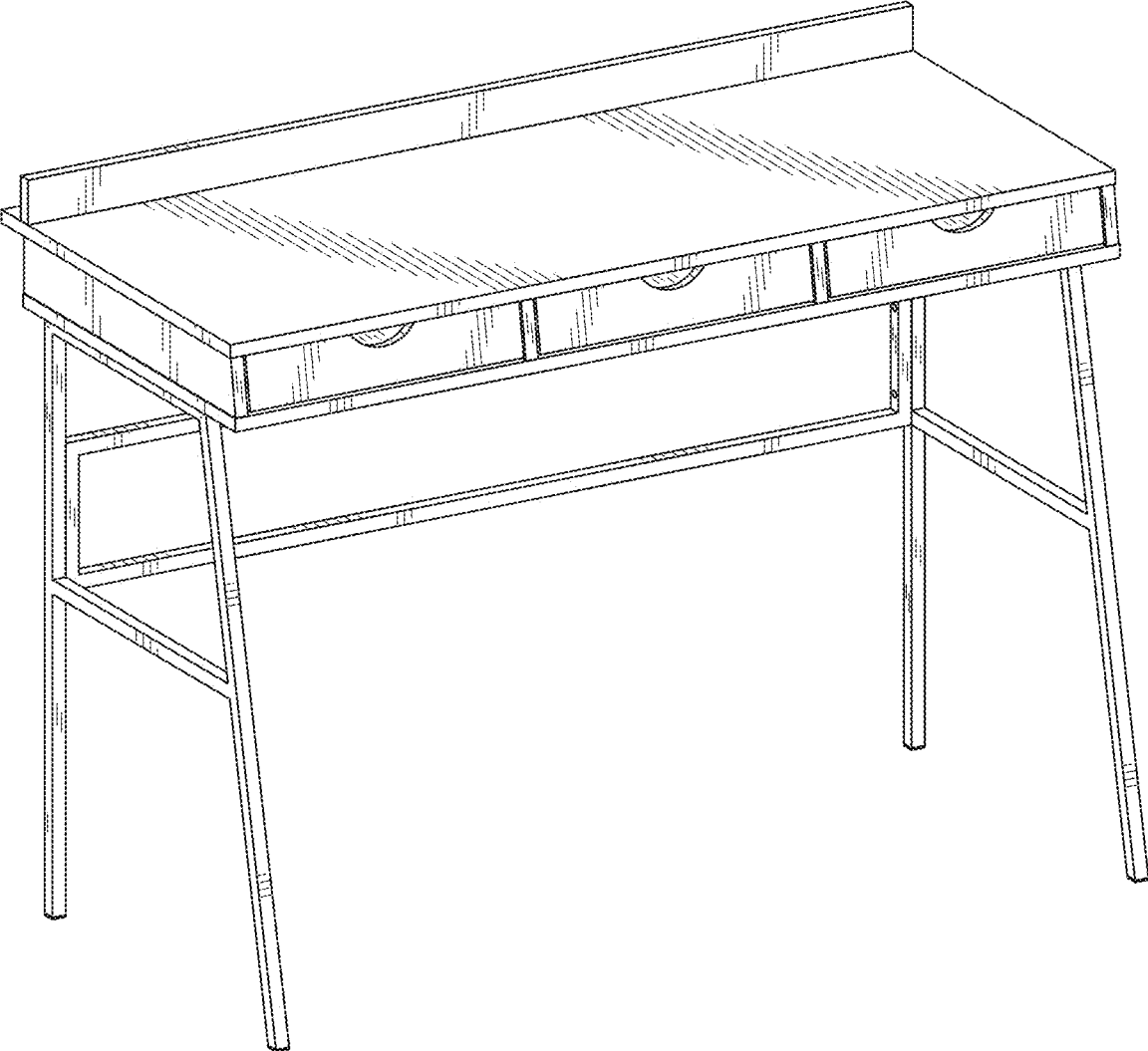


FIG. 1

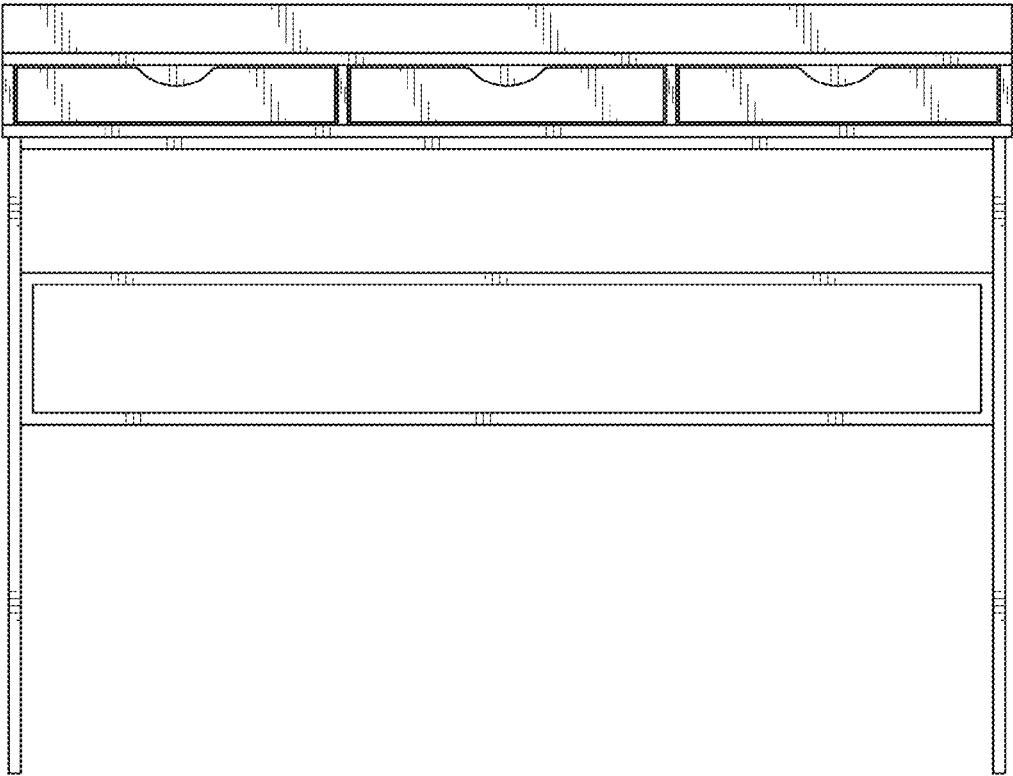


FIG. 2

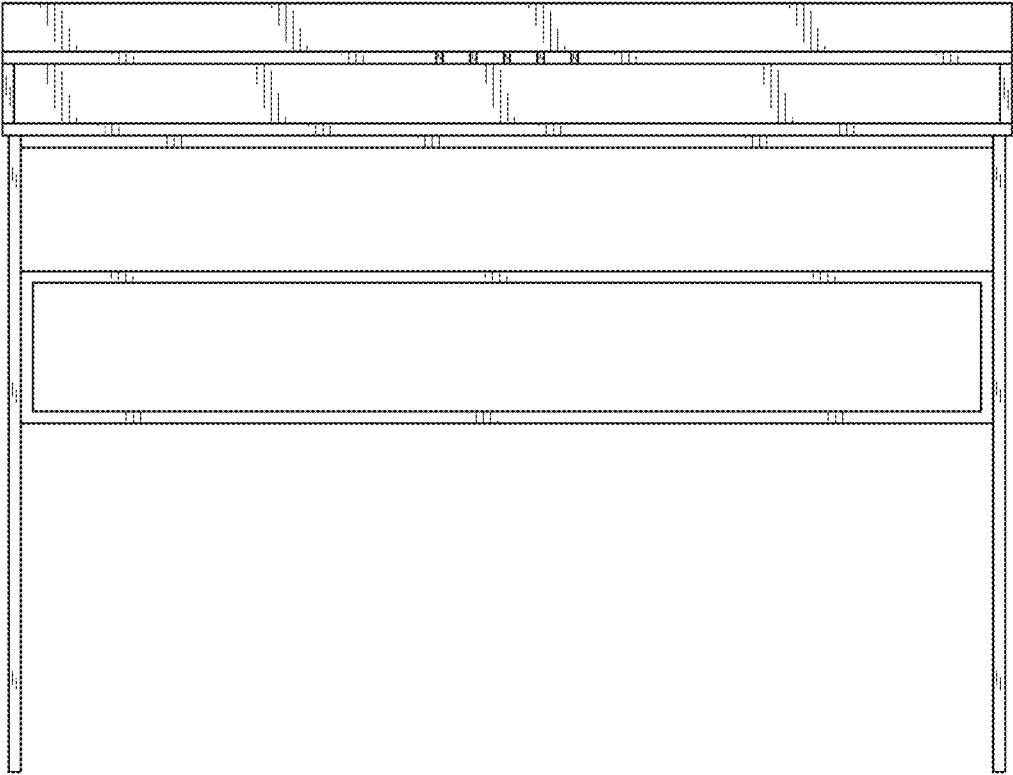


FIG. 3

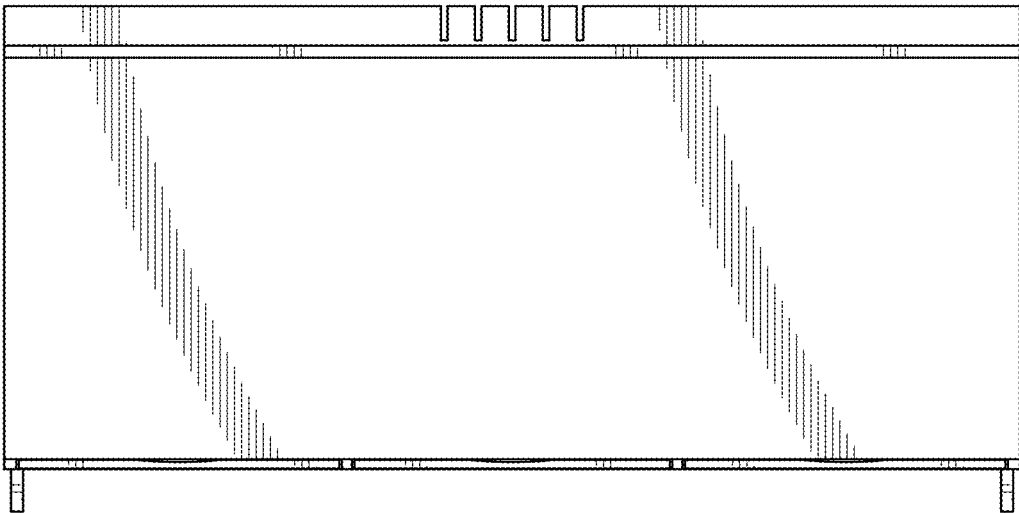


FIG. 4

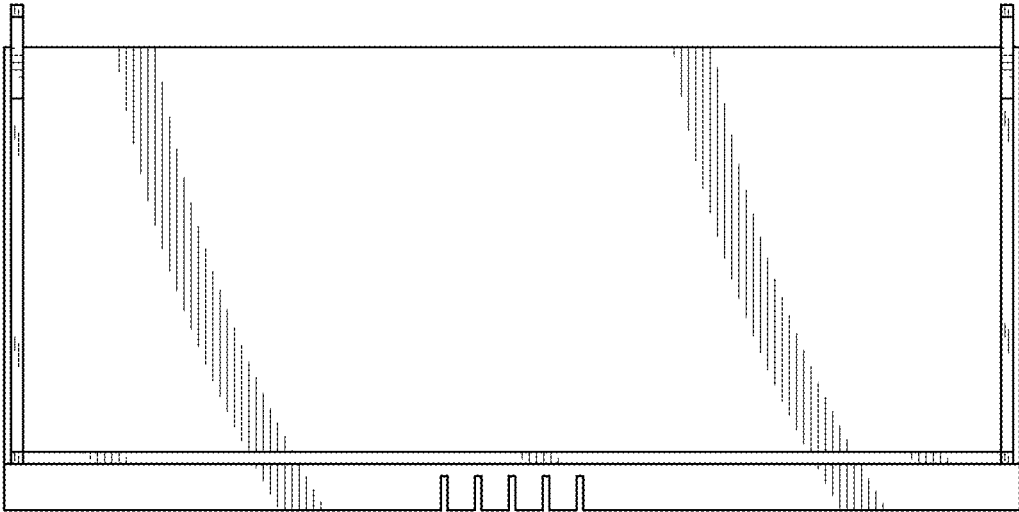


FIG. 5

FIG. 6

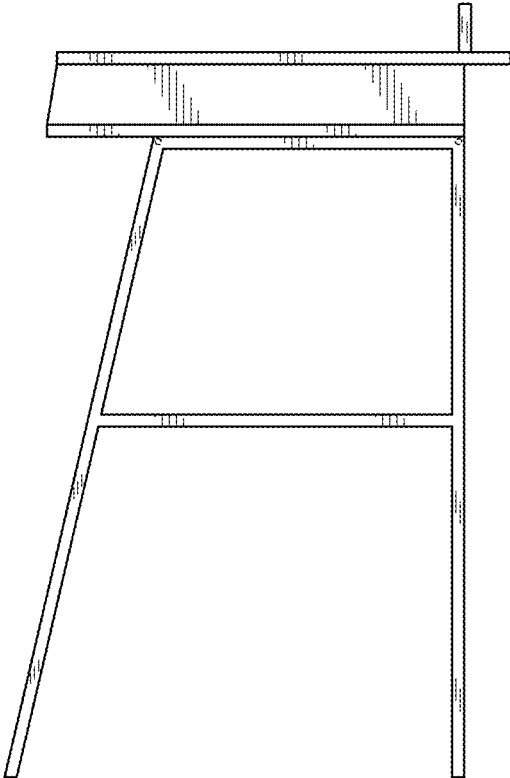


FIG. 7

